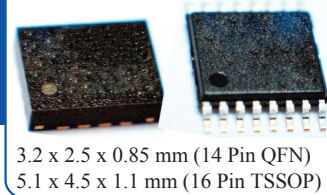


CRYSTAL-LESS PCI EXPRESS DUAL OUTPUT ULTRA MINIATURE PURE SILICON™ SMD CLOCK GENERATOR



AB-557-03 Series

Moisture Sensitivity Level
MSL 1 – 14 QFN
MSL 3 – 16 TSSOP



RoHS/RoHS II compliant

FEATURES:

- Meets PCIe Gen1, Gen2, & Gen3 specs.
- High Performance MEMS Technology by Discera
- Available Mixed Output Formats: HCSL, LVPECL, LVDS or LVCMOS
- Wide Temperature Range: -40° to 105° C
- Wide Supply Range: 2.25V to 3.6 V
- Low Power Consumption
- Excellent Shock & Vibration Immunity

APPLICATIONS:

- Solid State Storage
- Storage Area Networks
- Passive Optical Networks
- Ethernet: 1G, 10GBASE-T/KR/LR/SR, and FCoE
- TV and other Consumer Electronics
- Industrial and Medical
- Scanner, Printer

STANDARD SPECIFICATIONS:

Parameters		Minimum	Typical	Maximum	Units	Notes
Frequency	f_0	2.3	100	460 ^{*1}	MHz	
Operating Temperature		-20		+70	°C	See options
Storage Temperature		-55		+150	°C	
Overall Freq. Stability ^{*2}	Δf	-100		+100	ppm	See options
Supply Voltage	V_{DD}	+2.25		+3.6	V	
Supply Current- Enabled	I_{DD}		60		mA	$R_L=50\Omega$, $F_{01}=F_{02}=100.00\text{MHz}$
Supply Current- Disabled	I_{DD}		21	23	mA	
Startup Time	t_{su}			5	ms	
Enable Time	t_{EN}			20	ns	
Disable Time	t_{DA}			5	ns	
Tri-state Function (Standby/Disable)		"1" ($V_{IH} \geq 0.75 \cdot V_{DD}$) or Open: Oscillation "0" ($V_{IL} < 0.25 \cdot V_{DD}$) : Hi Z			V	40k Ω pull-up resistor embedded
Aging		-5.0		+5.0	ppm	First year
Output Offset Voltage	V_{OH}	0.725			V	$R_L=50 \Omega$
	V_{OL}			0.10		
Peak to Peak Output Swing			750		mV	Single-Ended
Rise Time	t_r	200		400	ps	$R_L=50 \Omega$, $C_L=2\text{pF}$
Fall Time	t_f	200		400	ps	20% to 80%
Duty Cycle	SYM	48		52	%	Differential
Period Jitter	J_{PER}		2.5		pSRMS	$F_{01}=F_{02}=100.00\text{MHz}$
Integrated Phase Noise (Common Clock Architecture)	R_J		0.540		pSRMS	PCIe Gen 1.1 $T_J = D_J + 14.069 \times R_J$ (BER 10-12)
	D_J		0.832	41.9	pSP-P	
	T_J		8.536	86.0		
	$J_{RMS-CCHF}$		0.458	3.1	pSRMS	PCIe Gen 2.1 1.5 MHz to Nyquist
	$J_{RMS-CCLF}$		0.030	3.0		PCIe Gen 2.1 10kHz to 1.5 MHz
	J_{RMS-CC}		0.165	1.0		PCIe Gen 3.0
Integrated Phase Noise (Data Clock Architecture)	$J_{RMS-DCHF}$		0.561	4.0	pSRMS	PCIe Gen 2.1 1.5 MHz to Nyquist
	$J_{RMS-DCLF}$		1.778	7.5		PCIe Gen 2.1 10kHz to 1.5 MHz
	J_{RMS-DC}		0.147	1.0		PCIe Gen 3.0

*1. For frequency other than 100MHz, please contact ABRACON or consider using ASEMDxx series

2. Frequency stability includes frequency variations due to initial tolerance, temp. and power supply voltage

ABRACON IS
ISO9001:2008
CERTIFIED



ABRACON
CORPORATION

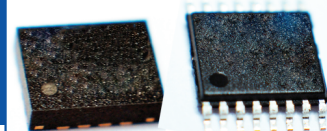
Visit www.abracon.com for Terms & Conditions of Sale

Revised: 04.12.13

30332 Esperanza, Rancho Santa Margarita, California 92688

tel 949-546-8000 | fax 949-546-8001 | www.abracon.com

CRYSTAL-LESS PCI EXPRESS DUAL OUTPUT ULTRA MINIATURE PURE SILICON™ SMD CLOCK GENERATOR



3.2 x 2.5 x 0.85 mm (14 Pin QFN)
5.1 x 4.5 x 1.1 mm (16 Pin TSSOP)

AB-557-03 Series

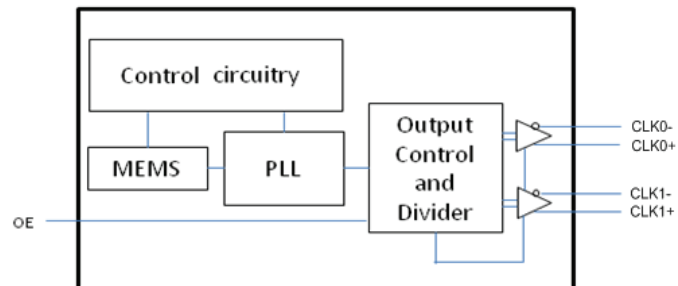


RoHS/RoHS II compliant

Absolute Maximum Ratings

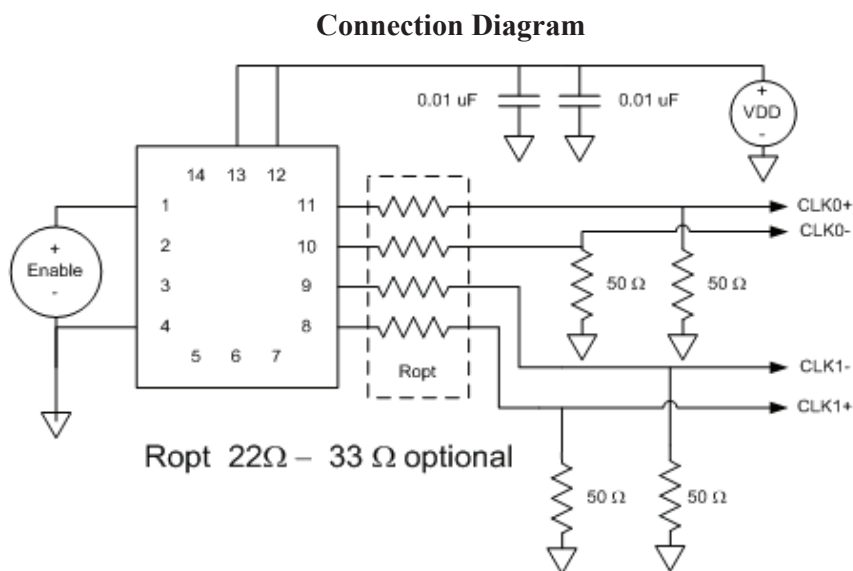
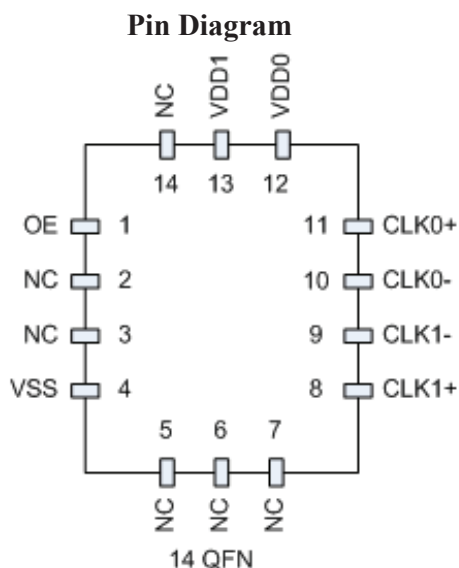
Item	Minimum	Maximum	Unit	Condition
Supply Voltage	-0.3	+4.0	V	
Input Voltage	-0.3	V _{dd} +0.3	V	
Junction Temp.		+150	°C	
Storage Temp.	-55	+150	°C	
Soldering Temp.		+260	°C	40sec max
ESD				
HBM		4,000	V	
MM		400		
CDM		1,500		

Block Diagram:



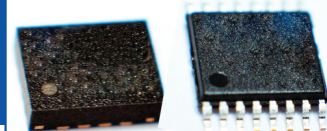
PIN LAYOUT:

14 Pin QFN:



Pin No.	Pin Name	Pin Type	Description
1	OE	I	Output Enable; active high
2	NC	NA	Ground Connected or Leave Unconnected
3	NC	NA	Ground Connected or Leave Unconnected
4	VSS	Power	Ground
5	NC	NA	Ground Connected or Leave Unconnected
6	NC	NA	Ground Connected or Leave Unconnected
7	NC	NA	Ground Connected or Leave Unconnected
8	CLK1+	O	True output of differential pair
9	CLK1-	O	Complement output of differential pair
10	CLK0-	O	Complement output of differential pair
11	CLK0+	O	True output of differential pair
12	VDD0	Power	Power Supply for Output 0 (CLK+/- 0)
13	VDD1	Power	Power Supply for Core and Output 1 (CLK +/- 1)
14	NC	NA	Ground Connected or Leave Unconnected

CRYSTAL-LESS PCI EXPRESS DUAL OUTPUT ULTRA MINIATURE PURE SILICON™ SMD CLOCK GENERATOR



3.2 x 2.5 x 0.85 mm (14 Pin QFN)
5.1 x 4.5 x 1.1 mm (16 Pin TSSOP)

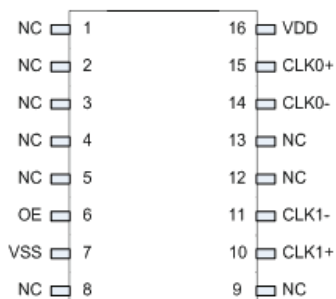
AB-557-03 Series



RoHS/RoHS II compliant

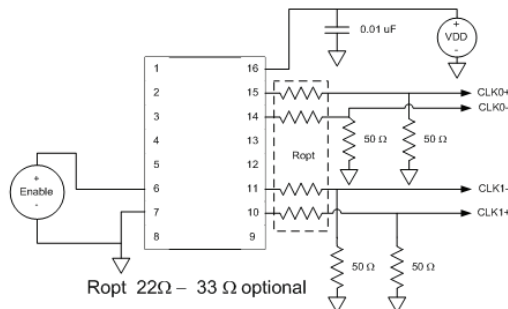
16 Pin TSSOP:

Pin Diagram



16-pin TSSOP

Connection Diagram



Pin No.	Pin Name	Pin Type	Description
1	NC	NA	Leave Unconnected
2	NC	NA	Leave Unconnected
3	NC	NA	Leave Unconnected
4	NC	NA	Leave Unconnected
5	NC	NA	Leave Unconnected
6	OE	I	Output Enable; active high
7	VSS	Power	Ground
8	NC	NA	Leave Unconnected
9	NC	NA	Leave Unconnected
10	CLK1+	O	True output of differential pair
11	CLK1-	O	Complement output of differential pair
12	NC	NA	Leave Unconnected
13	NC	NA	Leave Unconnected
14	CLK0-	O	Complement output of differential pair
15	CLK0+	O	True output of differential pair
16	VDD	Power	Power Supply

PART IDENTIFICATION:

AB-557-03-□□ - □ - □ - □ - □

Output Format, Clk1
C: LVCMOS
LP: LVPECL
LV: LVDS
HC: HCSL

Output Format, Clk0
C: LVCMOS
LP: LVPECL
LV: LVDS
HC: HCSL

Package Type
F: 14-QFN
S: 16-TSSOP

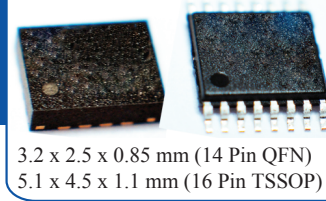
Operating Temp.
E: -20°C ~ +70°C
L: -40°C ~ +85°C
X: -40°C ~ +105°C

Overall Freq. Stability
Blank: ±100ppm
C: ±50ppm

Packaging
Blank: Bulk
T: Tape & Reel(1kpcs / reel)
T3: Tape & Reel(3kpcs/reel)

Note: For frequency other than 100MHz, please contact ABRACON or consider using ASEMDxx series

CRYSTAL-LESS PCI EXPRESS DUAL OUTPUT ULTRA MINIATURE PURE SILICON™ SMD CLOCK GENERATOR



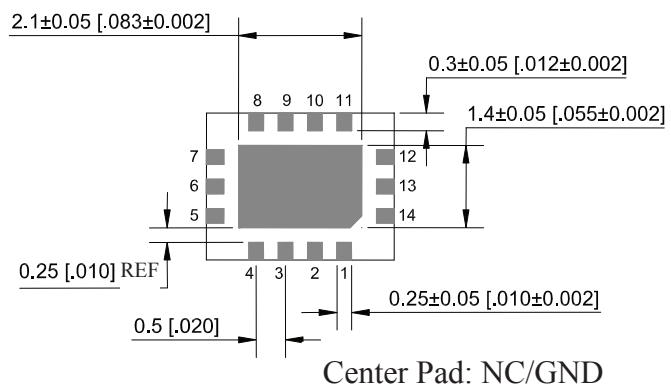
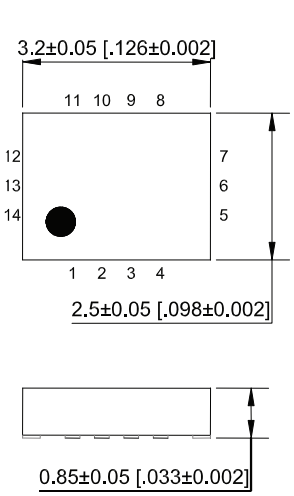
AB-557-03 Series

Pb RoHS/RoHS II compliant

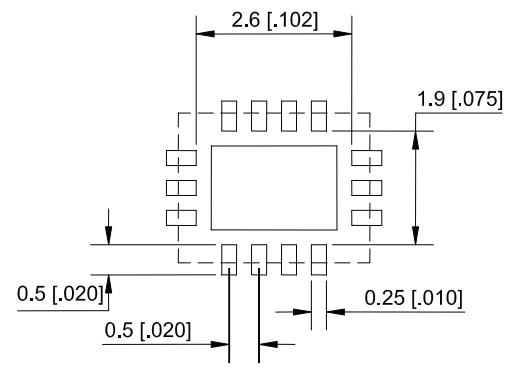
3.2 x 2.5 x 0.85 mm (14 Pin QFN)
5.1 x 4.5 x 1.1 mm (16 Pin TSSOP)

OUTLINE DRAWING:

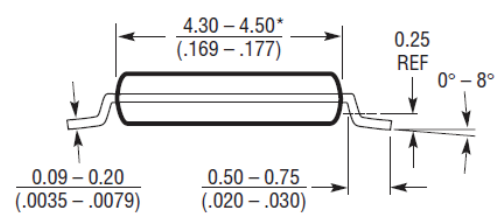
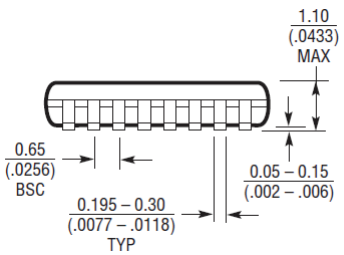
14 Pin QFN:



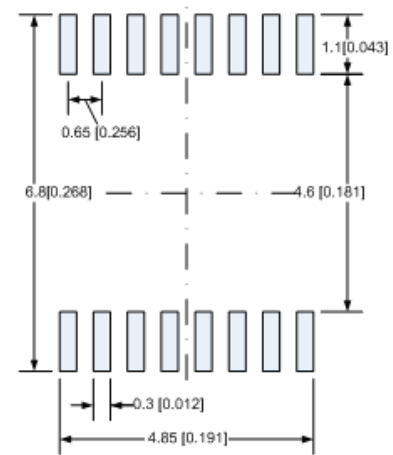
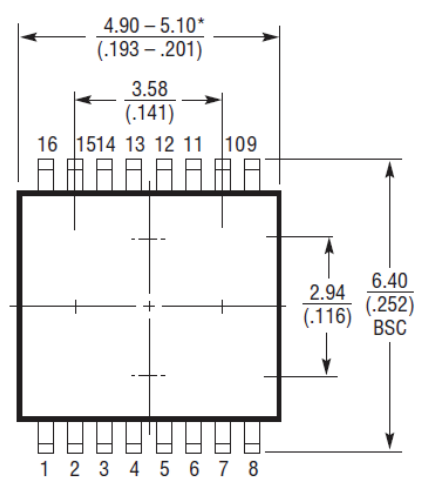
Recommended Solder Pad Layout



16 Pin TSSOP:



Recommended Solder Pad Layout



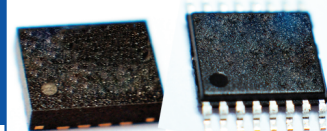
* Dimensions do not include mold flash. Mold flash shall not exceed 0.150mm (.006 inches) per side.

Dimensions: mm (inches)



Visit www.abracon.com for Terms & Conditions of Sale **Revised: 04.12.13**
30332 Esperanza, Rancho Santa Margarita, California 92688
tel 949-546-8000 | fax 949-546-8001 | www.abracon.com

CRYSTAL-LESS PCI EXPRESS DUAL OUTPUT ULTRA MINIATURE PURE SILICON™ SMD CLOCK GENERATOR



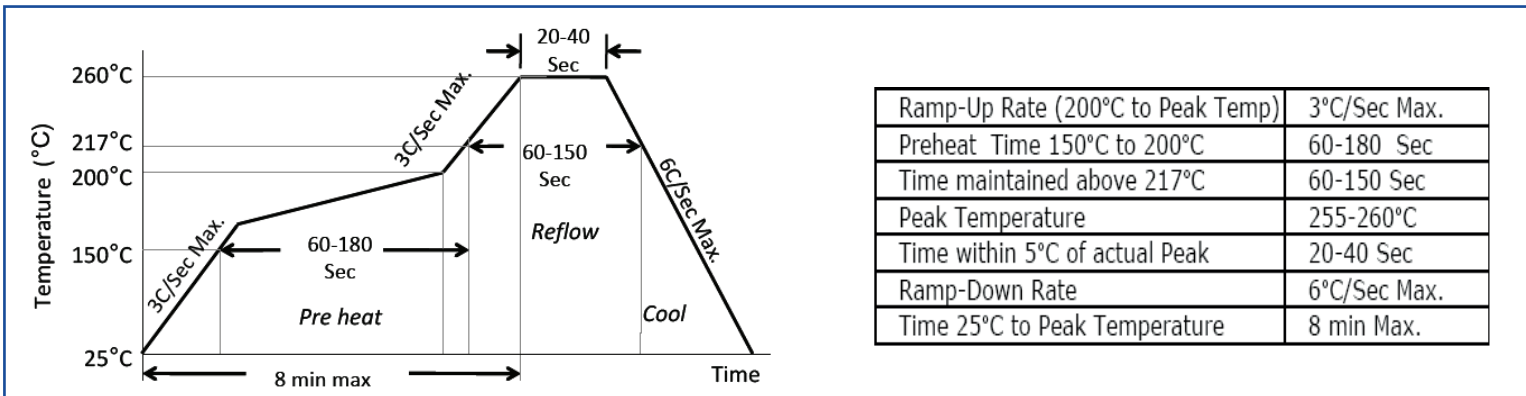
3.2 x 2.5 x 0.85 mm (14 Pin QFN)
5.1 x 4.5 x 1.1 mm (16 Pin TSSOP)

AB-557-03 Series



RoHS/RoHS II compliant

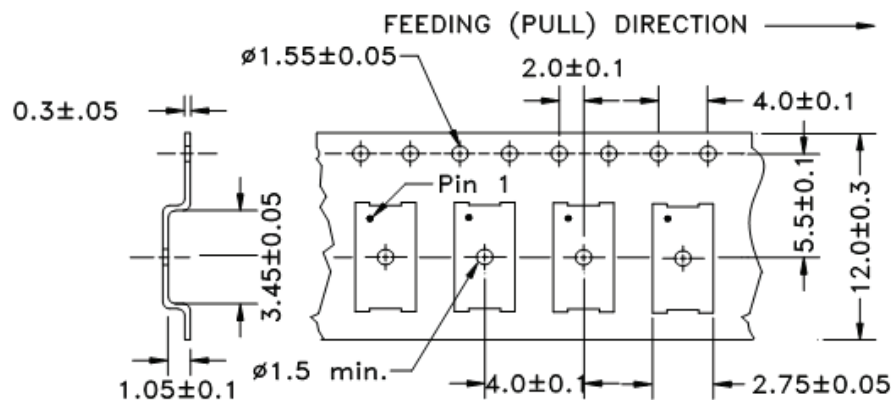
REFLOW PROFILE:



TAPE & REEL:

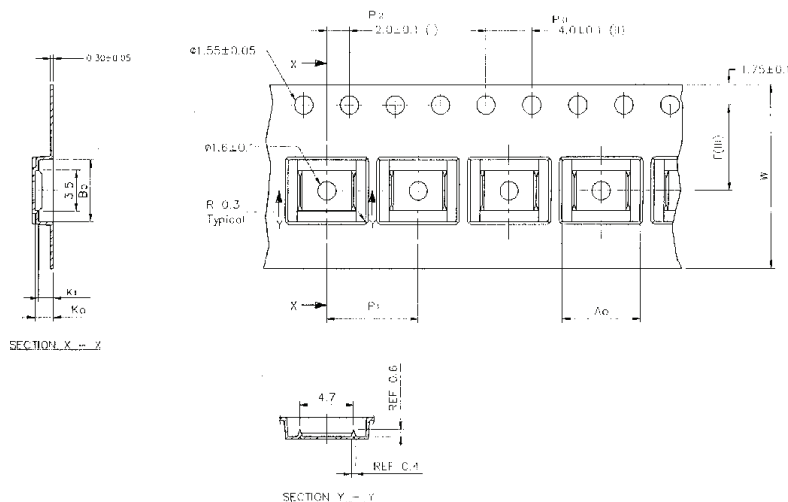
14 Pin QFN Tape Drawing:

T= 1,000pcs/reel
T3= 3,000pcs/reel



16 Pin TSSOP Tape Drawing

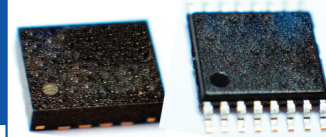
T= 1,000pcs/reel
T3= 3,000pcs/reel



A0	B0	K0	K1	F	P1	W
6.80±0.1	5.40±0.1	1.60±0.1	1.30±0.1	5.50±0.1	8.00±0.1	12.00±0.3

Dimensions: mm

CRYSTAL-LESS PCI EXPRESS DUAL OUTPUT ULTRA MINIATURE PURE SILICON™ SMD CLOCK GENERATOR

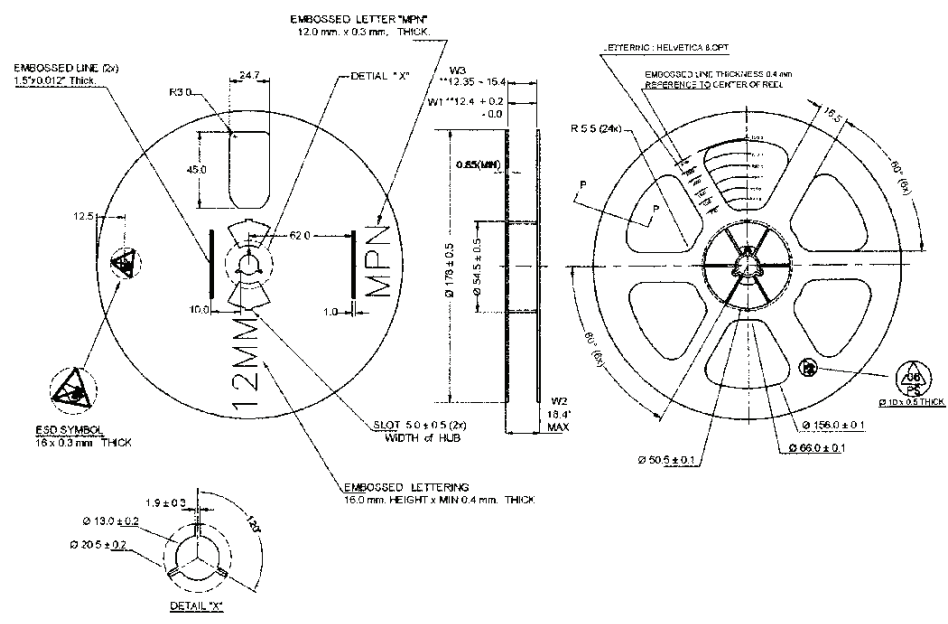


3.2 x 2.5 x 0.85 mm (14 Pin QFN)
5.1 x 4.5 x 1.1 mm (16 Pin TSSOP)

AB-557-03 Series

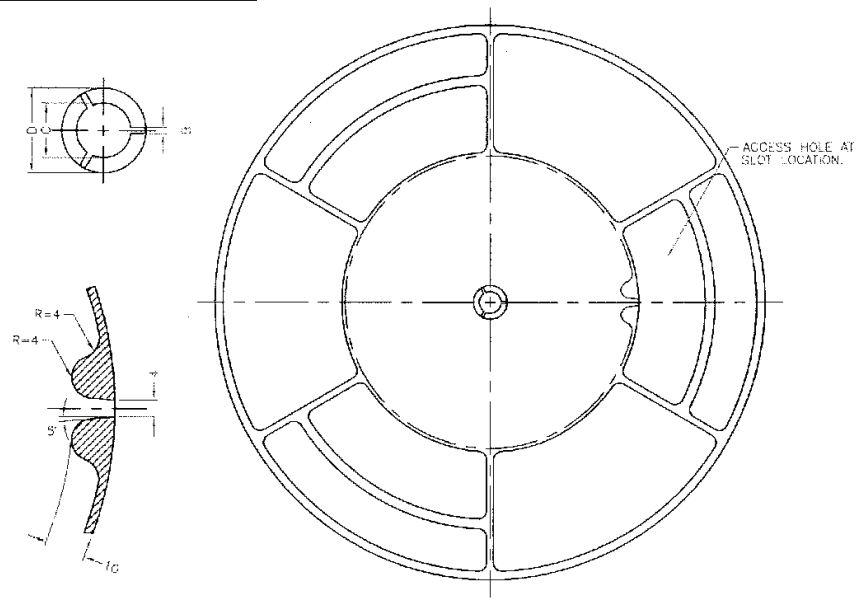
Pb RoHS/RoHS II compliant

7" Reel Drawing (1000pcs/reel)



Dimensions: mm

13" Reel Drawing (3000pcs/reel)



A	N	W1	W2	W3	D	B	C	Tape Width
330 (13")	178 (7") max.	12.4+2/-0	18.4 max.	12.35 min. 15.40 max.	20.2 min.	1.5 min	13.0+0.5/-0.2	12

ATTENTION: Abracon Corporation's products are COTS – Commercial-Off-The-Shelf products; suitable for Commercial, Industrial and, where designated, Automotive Applications. Abracon's products are not specifically designed for Military, Aviation, Aerospace, Life-dependant Medical applications or any application requiring high reliability where component failure could result in loss of life and/or property. For applications requiring high reliability and/or presenting an extreme operating environment, written consent and authorization from Abracon Corporation is required. Please contact Abracon Corporation for more information.

ABRACON IS
ISO9001:2008
CERTIFIED



Visit www.abracon.com for Terms & Conditions of Sale **Revised: 04.12.13**
30332 Esperanza, Rancho Santa Margarita, California 92688
tel 949-546-8000 | fax 949-546-8001 | www.abracon.com



Компания «ЭлектроПласт» предлагает заключение долгосрочных отношений при поставках импортных электронных компонентов на взаимовыгодных условиях!

Наши преимущества:

- Оперативные поставки широкого спектра электронных компонентов отечественного и импортного производства напрямую от производителей и с крупнейших мировых складов;
- Поставка более 17-ти миллионов наименований электронных компонентов;
- Поставка сложных, дефицитных, либо снятых с производства позиций;
- Оперативные сроки поставки под заказ (от 5 рабочих дней);
- Экспресс доставка в любую точку России;
- Техническая поддержка проекта, помощь в подборе аналогов, поставка прототипов;
- Система менеджмента качества сертифицирована по Международному стандарту ISO 9001;
- Лицензия ФСБ на осуществление работ с использованием сведений, составляющих государственную тайну;
- Поставка специализированных компонентов (Xilinx, Altera, Analog Devices, Intersil, Interpoint, Microsemi, Aeroflex, Peregrine, Syfer, Eurofarad, Texas Instrument, Miteq, Cobham, E2V, MA-COM, Hittite, Mini-Circuits, General Dynamics и др.);

Помимо этого, одним из направлений компании «ЭлектроПласт» является направление «Источники питания». Мы предлагаем Вам помощь Конструкторского отдела:

- Подбор оптимального решения, техническое обоснование при выборе компонента;
- Подбор аналогов;
- Консультации по применению компонента;
- Поставка образцов и прототипов;
- Техническая поддержка проекта;
- Защита от снятия компонента с производства.



Как с нами связаться

Телефон: 8 (812) 309 58 32 (многоканальный)

Факс: 8 (812) 320-02-42

Электронная почта: org@eplast1.ru

Адрес: 198099, г. Санкт-Петербург, ул. Калинина, дом 2, корпус 4, литера А.