

THIS DRAWING IS UNPUBLISHED. RELEASED FOR PUBLICATION SEP. 2005.
 © COPYRIGHT 2005 By - ALL RIGHTS RESERVED.


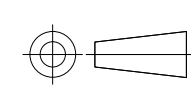
LOC		DIST		REVISIONS 変更			
P	LTR	DESCRIPTION		DATE	DWN	APVD	
-	-	S	REVISED PER ECR-15-016490	11NOV2015	T.Z	H.W	

- 1 CONTACT COPLANALITY IS 0.1 MAX.
- 2 THIS DIMENSION MEANS CENTER OF THE POCKET.
- 3 M3 TAPPING + BVTP RECOMMENDED TORQUE: 68.6N (7Kgf) MAX.
- 4 FINISH
CONTACT: V μm MIN. Au PL. ON CONTACT AREA (V: SEE TABLE)
0.03~0.1 μm Au PL. ON TERMINAL AREA
Ni UNDER PL. ALL OVER
SHELL: Sn PL. (MATTE) ALL OVER
Ni UNDER PL. ALL OVER
- 5 SCREW SIZE
- 6 QTY PRINT ON THE LABEL. (EMBOSS PACKING)

- 1 コンタクトコプラナリティーは 0.1 以下。
- 2 本寸法はポケットの中心を表す。
- 3 M3 TAPPING + BVTP 推奨トルク: 68.6N (7Kgf) 以下。
- 4 仕上
コンタクト: コンタクトエリアに V μm 以上の 金めっき (V: 表参照)
ターミナルエリアに 0.03~0.1 μm の金めっき
ニッケル下地めっきを施す
シェル: すずめっき (つや消し)
ニッケル下地めっきを施す
- 5 スクリューサイズ
- 6 数量はラベルに印字される (EMBOSS 梱包)

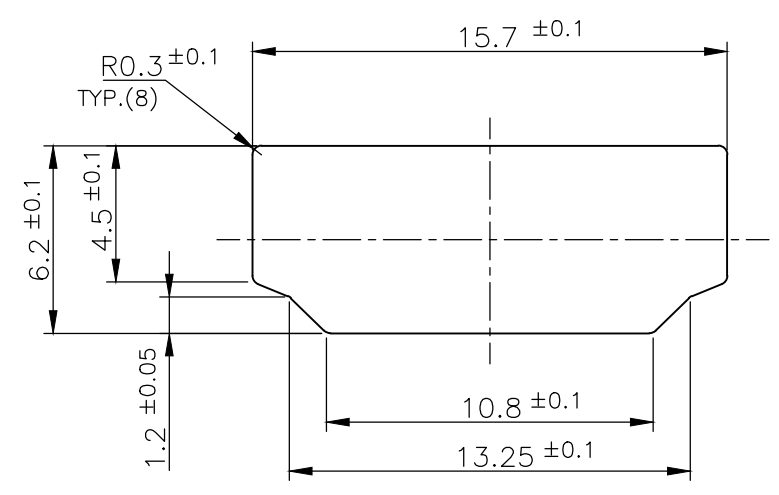
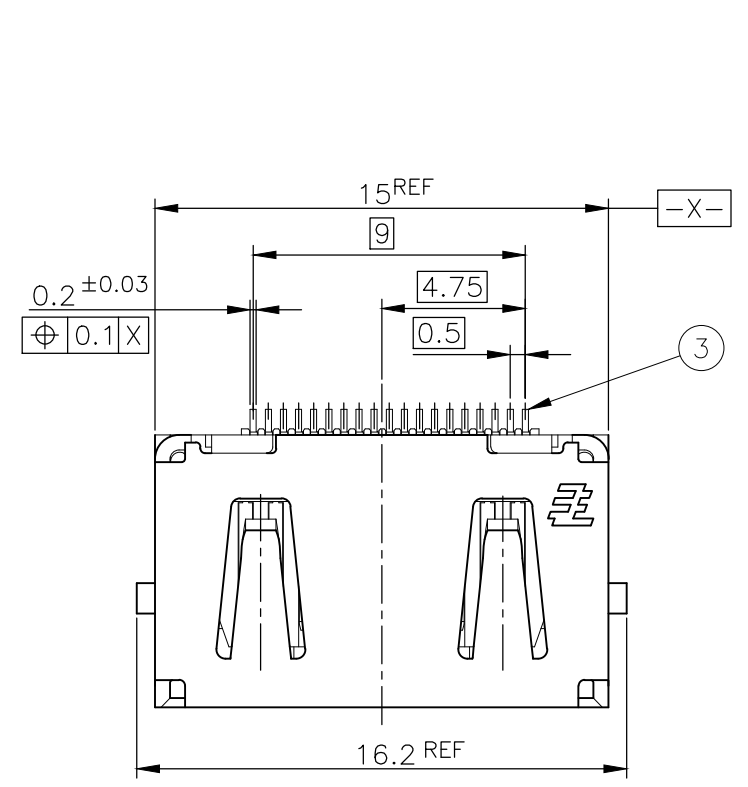
0.3	-	70	1.9	-	-	-	-	33.5	37.5	9.32	0.4	32	28.4	14.2	16	WITHOUT TAPE	WITHOUT FLANGE	THROUGH HOLE	(SEE SHEET 2)	SOFT TRAY (SEE SHEET 11)	6-1903015-3
0.76	M3 x 0.5	70	1.9	46	138	6-23	46	-	-	-	-	-	-	-	-	WITH TAPE	WITH FLANGE	THROUGH HOLE	(SEE SHEET 3)	SOFT TRAY (SEE SHEET 7)	9-1903015-4
0.3	M3 x 0.5	200	1.9	-	-	-	-	45.5	49.5	18.3	0.5	44	40.4	20.2	20	WITH TAPE	WITH FLANGE	THROUGH HOLE	(SEE SHEET 3)	EMBOSS (SEE SHEET 6)	9-1903015-3
0.3	M3 x 0.5	70	1.9	-	-	-	-	-	-	-	-	-	-	-	-	WITHOUT TAPE	WITH FLANGE	THROUGH HOLE	(SEE SHEET 3)	SOFT TRAY (SEE SHEET 10)	8-1903015-4
0.1	-	550	1.9	-	-	-	-	33.5	37.5	9.32	0.4	32	28.4	14.2	16	WITHOUT TAPE	WITHOUT FLANGE	THROUGH HOLE	(SEE SHEET 2)	EMBOSS (SEE SHEET 6)	7-1903015-1
0.3	M3 x 0.5	200	1.9	-	-	-	-	45.5	49.5	18.3	0.5	44	40.4	20.2	20	WITHOUT TAPE	WITH FLANGE	FULL SMT	(SEE SHEET 5)	EMBOSS (SEE SHEET 6)	5-1903015-9
0.3	-	550	0.8	-	-	-	-	33.5	37.5	9.32	0.4	32	28.4	14.2	16	WITHOUT TAPE	WITHOUT FLANGE	THROUGH HOLE	(SEE SHEET 2)	EMBOSS (SEE SHEET 6)	5-1903015-5
0.3	M3 x 0.5	70	1.9	46	138	6-23	46	-	-	-	-	-	-	-	-	WITHOUT TAPE	WITH FLANGE	THROUGH HOLE	(SEE SHEET 3)	SOFT TRAY (SEE SHEET 7)	5-1903015-4
0.3	M3 x 0.5	200	1.9	-	-	-	-	45.5	49.5	18.3	0.5	44	40.4	20.2	20	WITHOUT TAPE	WITH FLANGE	THROUGH HOLE	(SEE SHEET 3)	EMBOSS (SEE SHEET 6)	5-1903015-3
0.3	φ2.65±0.3	70	1.9	46	138	6-23	46	-	-	-	-	-	-	-	-	WITHOUT TAPE	WITH FLANGE	THROUGH HOLE	(SEE SHEET 3)	SOFT TRAY (SEE SHEET 7)	5-1903015-2
0.3	-	400	1.9	-	-	-	-	33.5	37.5	9.32	0.4	32	28.4	14.2	16	WITHOUT TAPE	WITHOUT FLANGE	THROUGH HOLE	(SEE SHEET 2)	EMBOSS (SEE SHEET 6)	5-1903015-1
0.3	M3 x 0.5	70	1.0	46	138	6-23	46	-	-	-	-	-	-	-	-	WITHOUT TAPE	WITH FLANGE	THROUGH HOLE	(SEE SHEET 3)	SOFT TRAY (SEE SHEET 7)	4-1903015-1
0.76	-	400	1.2	-	-	-	-	33.5	37.5	9.32	0.4	32	28.4	14.2	16	WITHOUT TAPE	WITHOUT FLANGE	THROUGH HOLE	(SEE SHEET 2)	EMBOSS (SEE SHEET 6)	2-1903015-2
0.76	M3 x 0.5	70	1.9	-	-	-	-	-	-	-	-	-	-	-	-	WITHOUT TAPE	WITH FLANGE	THROUGH HOLE	(SEE SHEET 3)	SOFT TRAY (SEE SHEET 9)	1903015-8
0.76	φ2.65±0.3	70	1.9	-	-	-	-	-	-	-	-	-	-	-	-	WITHOUT TAPE	WITH FLANGE	THROUGH HOLE	(SEE SHEET 3)	SOFT TRAY (SEE SHEET 9)	1903015-7
0.76	M3 x 0.5	50	1.9	54.4	120	4-30	54.4	-	-	-	-	-	-	-	-	WITHOUT TAPE	WITH FLANGE	THROUGH HOLE	(SEE SHEET 3)	SOFT TRAY (SEE SHEET 9)	1903015-5
0.76	M3 x 0.5	70	1.9	46	138	6-23	46	-	-	-	-	-	-	-	-	WITHOUT TAPE	WITH FLANGE	THROUGH HOLE	(SEE SHEET 4)	SOFT TRAY (SEE SHEET 8)	1903015-4
0.76	M3 x 0.5	200	1.9	-	-	-	-	45.5	49.5	18.3	0.5	44	40.4	20.2	20	WITHOUT TAPE	WITH FLANGE	THROUGH HOLE	(SEE SHEET 4)	EMBOSS (SEE SHEET 6)	1903015-3
0.76	φ2.65±0.3	70	1.9	46	138	6-23	46	-	-	-	-	-	-	-	-	WITHOUT TAPE	WITH FLANGE	THROUGH HOLE	(SEE SHEET 3)	SOFT TRAY (SEE SHEET 7)	1903015-2
0.76	-	400	1.9	-	-	-	-	33.5	37.5	9.32	0.4	32	28.4	14.2	16	WITHOUT TAPE	WITHOUT FLANGE	THROUGH HOLE	(SEE SHEET 2)	EMBOSS (SEE SHEET 6)	1903015-1
V	U	T	AA	S	R	P	N	M	L	K	J	H	G	F	E	POLYIMIDE TAPE	FLANGE	SHELL TYPE	CONNECTOR	PACKING	PART NUMBER

4 Au PL. 5 SCREW SIZE QTY DIMENSION PART LIST

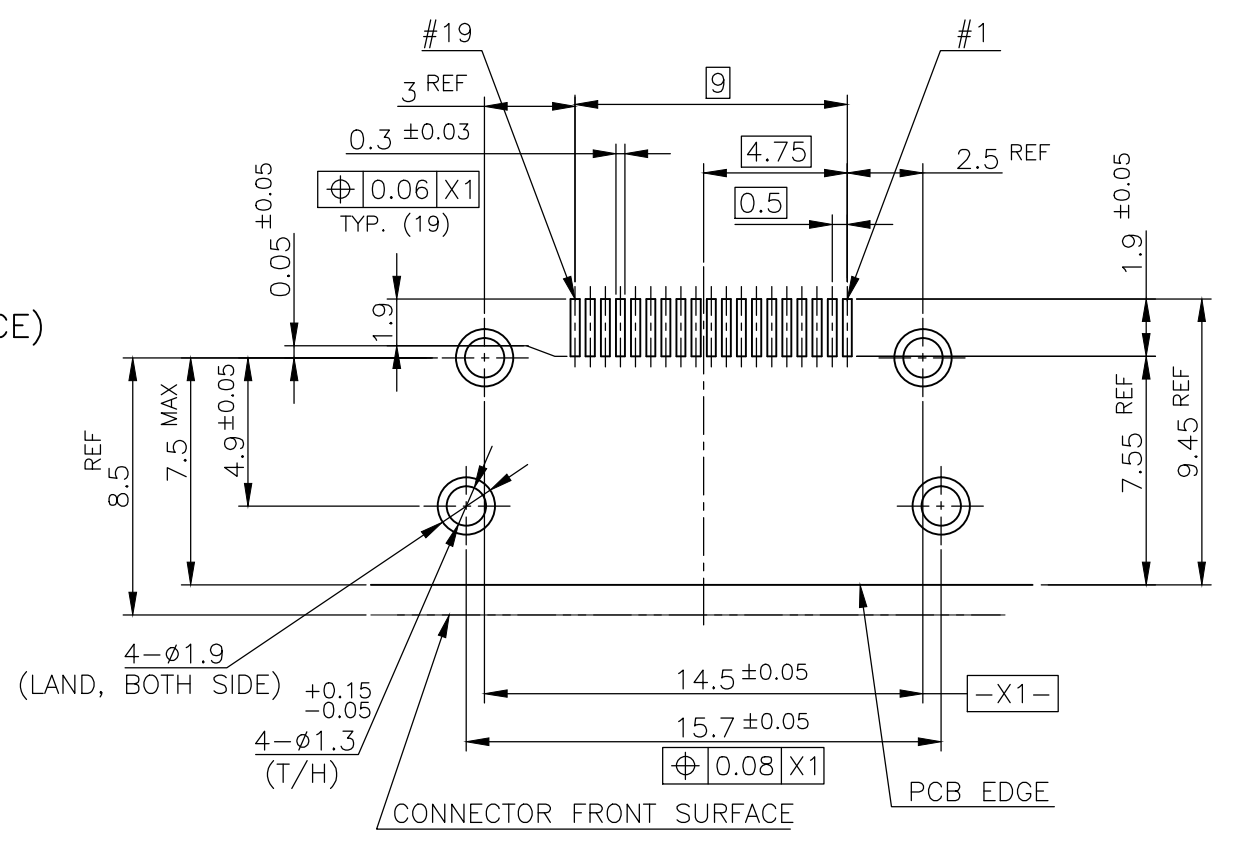
THIS DRAWING IS A CONTROLLED DOCUMENT.		DWN R.MURAYAMA 26SEP2005	 TE Connectivity	
DIMENSIONS: 単位: 概 mm 		CHK T.KIMURA 26SEP2005		
TOLERANCES UNLESS OTHERWISE SPECIFIED: 一般公差 0 PLC ± 1 PLC ± 2 PLC ± 3 PLC ± 4 PLC ± ANGLES ±		APVD T.KIMURA 26SEP2005	NAME 名称 HDMI 19 POS RECEPTACLE ASSY SMT SHORT TYPE	
MATERIAL 材料		PRODUCT SPEC 製品規格 108-78180-2	SIZE A3	
FINISH 仕上		APPLICATION SPEC 取付適用規格	CAGE CODE 00779	DRAWING NO 番号 C-1903015
WEIGHT		RESTRICTED TO		SCALE 尺度 4:1
CUSTOMER DRAWING		SHEET 1 OF 12		REV S

THIS DRAWING IS UNPUBLISHED. RELEASED FOR PUBLICATION SEP. 2005.
 © COPYRIGHT 2005 By - ALL RIGHTS RESERVED.

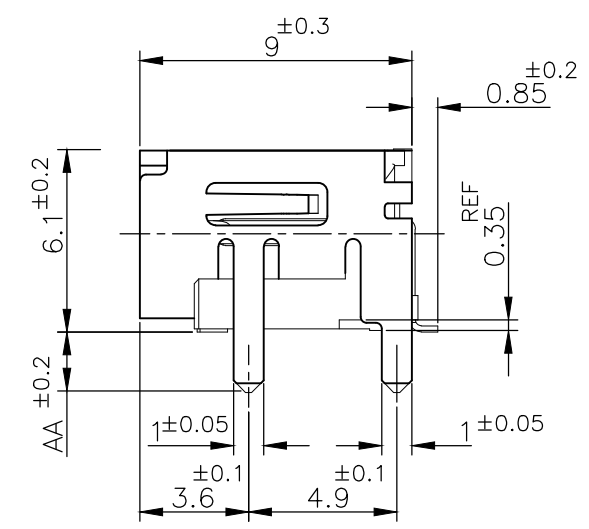
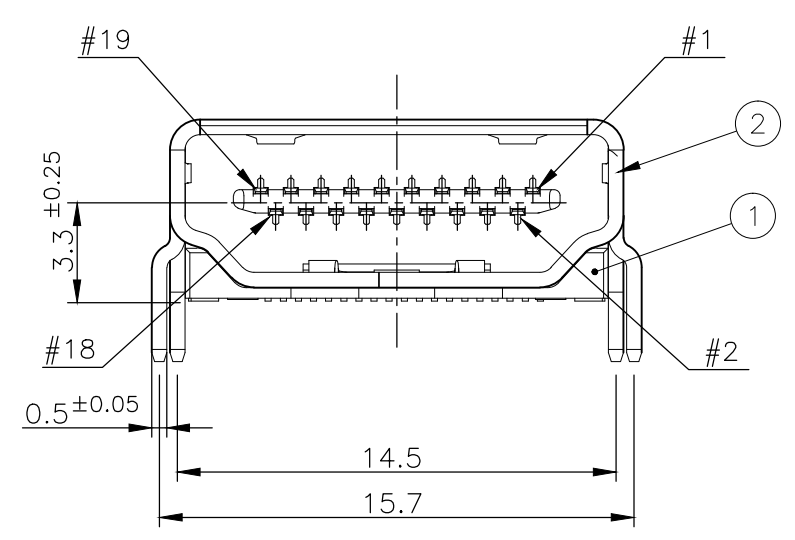
LOC	DIST	REVISIONS			DATE	DWN	APVD
		P	LTR	DESCRIPTION			
-	-	-	-	SEE SHEET 1	-	-	-



PANEL CUT OUT DIMENSION (REFERENCE)

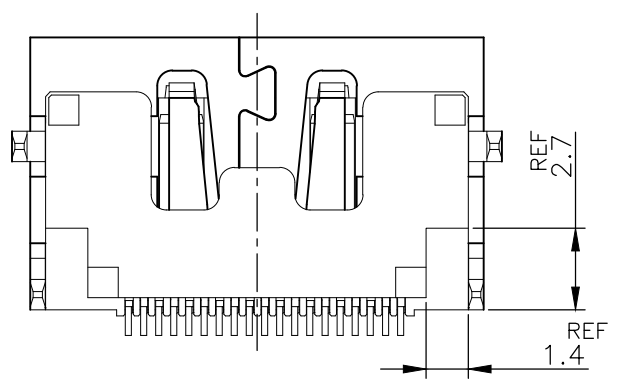


P.C.B LAYOUT (REFERENCE)
 SHOWN AS CONNECTOR MOUNTING SIDE
 TOLERANCE: NON-CUMULATIVE



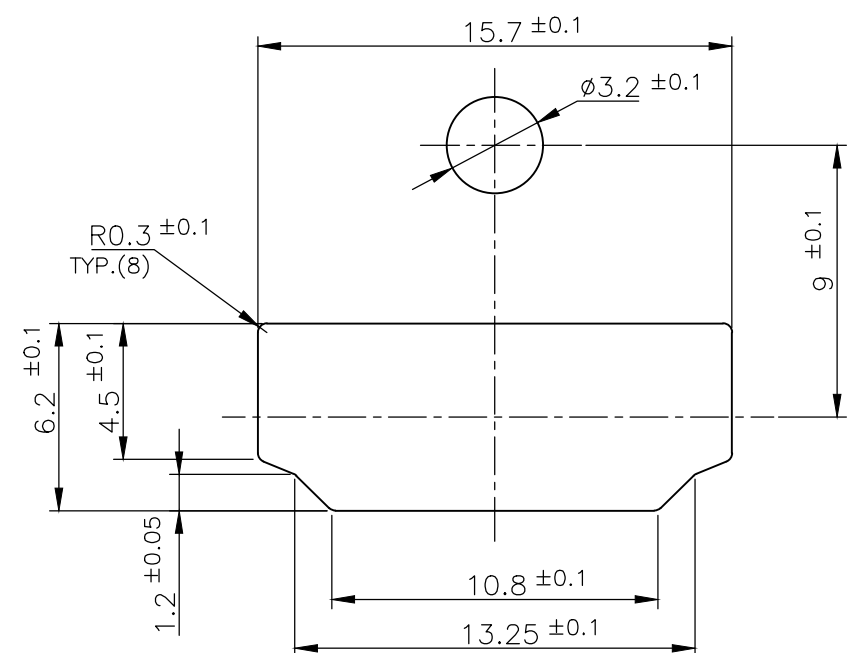
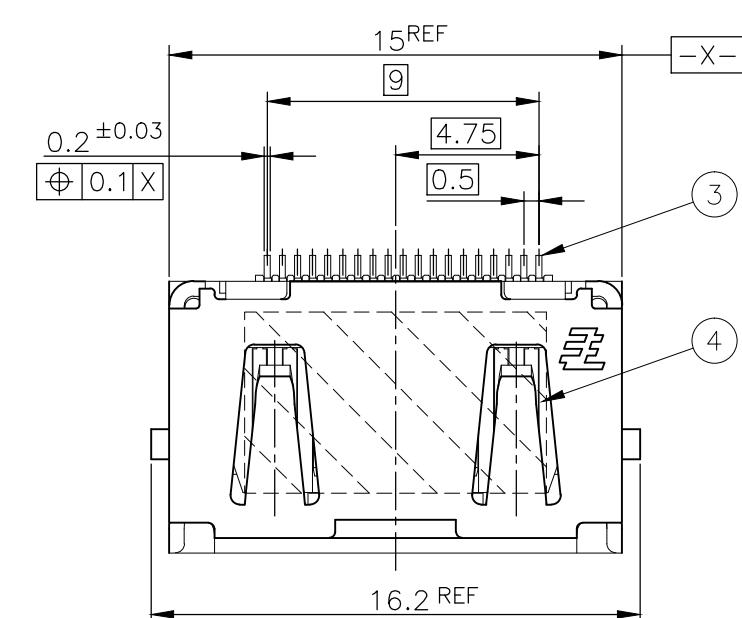
CONNECTOR: WITHOUT FLANGE THROUGH HOLE TYPE

BRASS	CONTACT	③
PHOSPHOR BRONZE	SHELL	②
GLASS FILLED LCP UL94V-0, BLACK COLOR	HOUSING	①
MATERIAL	DESCRIPTION	ITEM

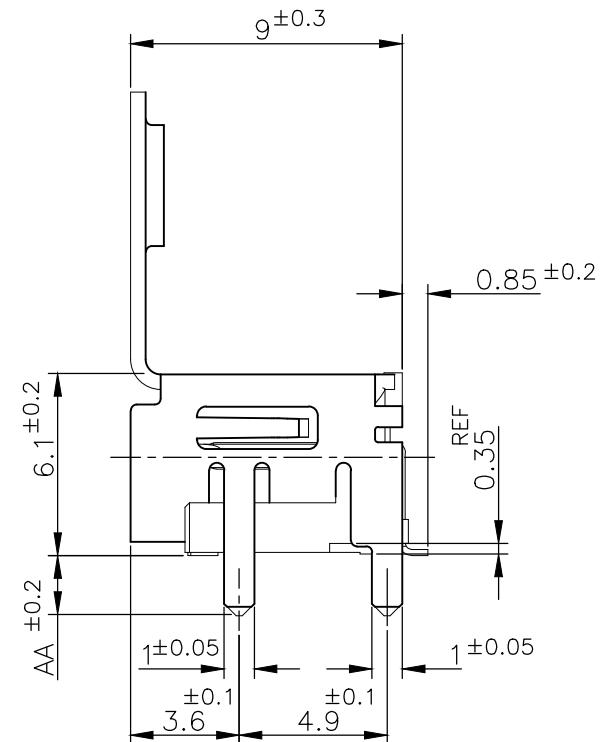
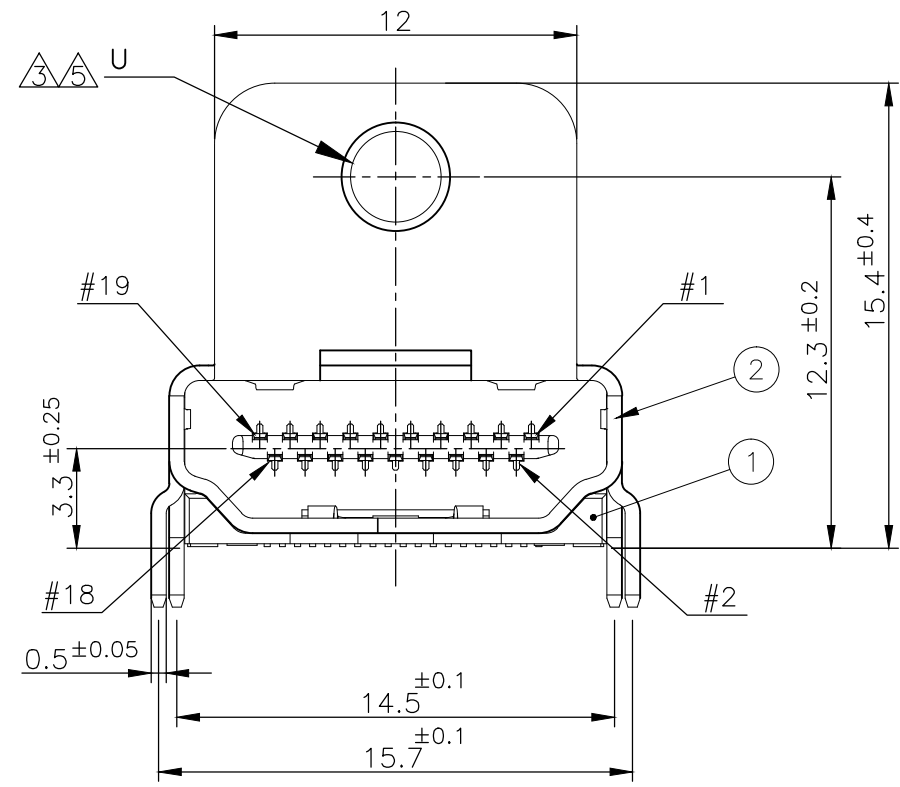


THIS DRAWING IS A CONTROLLED DOCUMENT.		DWN												
DIMENSIONS: 单位: 毫米 mm		CHK												
TOLERANCES UNLESS OTHERWISE SPECIFIED: 一般公差		APVD												
<table border="1"> <tr><td>0 PLC</td><td>±</td></tr> <tr><td>1 PLC</td><td>±</td></tr> <tr><td>2 PLC</td><td>±</td></tr> <tr><td>3 PLC</td><td>±</td></tr> <tr><td>4 PLC</td><td>±</td></tr> <tr><td>ANGLES</td><td>±</td></tr> </table>		0 PLC				±	1 PLC	±	2 PLC	±	3 PLC	±	4 PLC	±
0 PLC	±													
1 PLC	±													
2 PLC	±													
3 PLC	±													
4 PLC	±													
ANGLES	±													
MATERIAL 材料	FINISH 仕上	PRODUCT SPEC 製品規格	HDMI 19 POS RECEPTACLE ASSY SMT SHORT TYPE											
		APPLICATION SPEC 取付適用規格	SIZE	CAGE CODE	DRAWING NO 番号	RESTRICTED TO								
		WEIGHT	A300779		G-1903015									
		CUSTOMER DRAWING	SCALE 尺度	4:1	SHEET 2 OF 12	REV S								

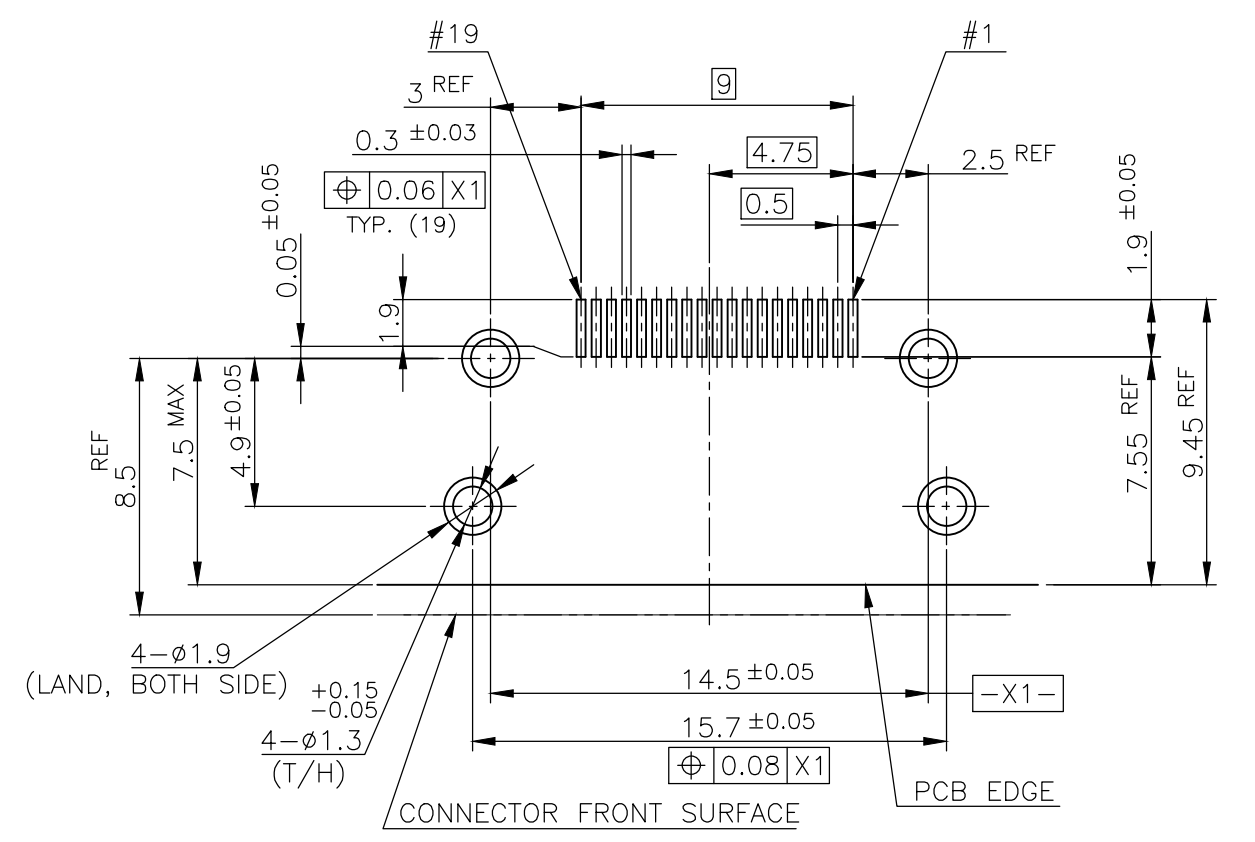
LOC	DIST	REVISIONS		
		P	LTR	DESCRIPTION
-	-	-	-	SEE SHEET 1
				DATE
				DWN
				APVD



PANEL CUT OUT DIMENSION (REFERENCE)

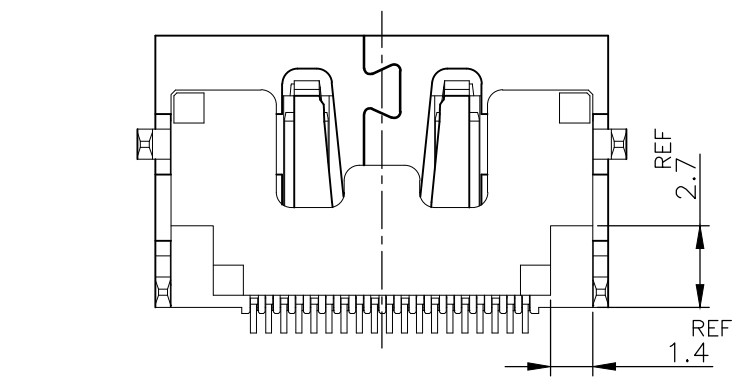


CONNECTOR: WITH FLANGE THROUGH HOLE TYPE



P.C.B LAYOUT (REFERENCE)
SHOWN AS CONNECTOR MOUNTING SIDE
TOLERANCE: NON-CUMULATIVE

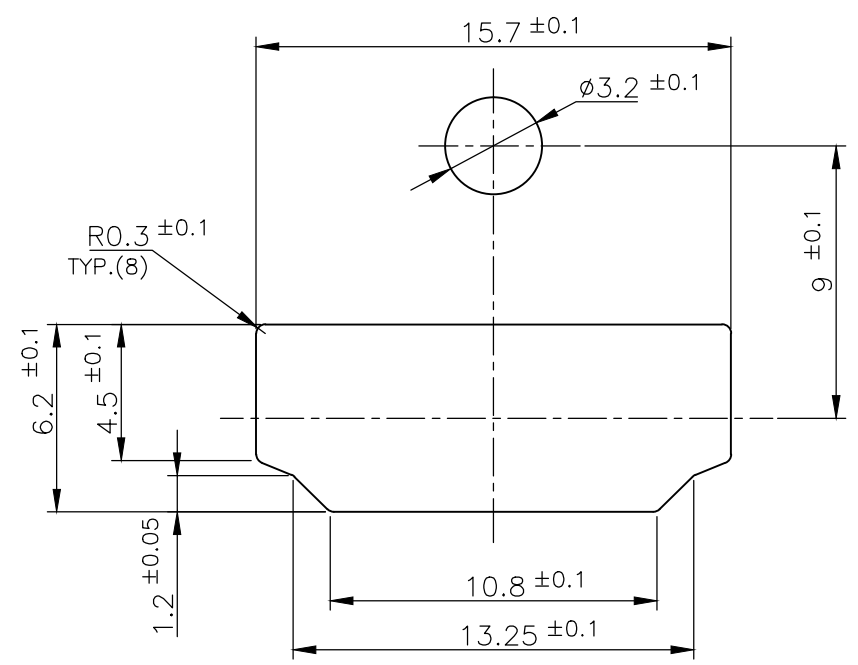
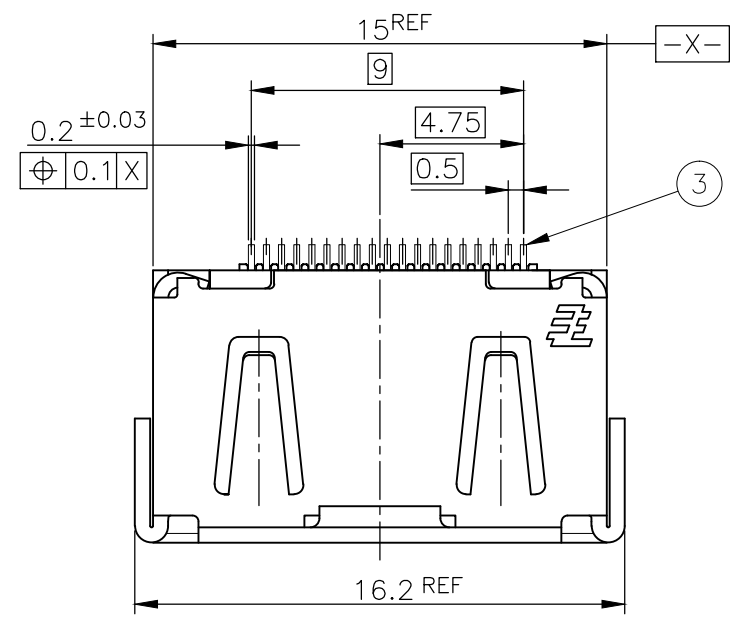
POLYIMIDE	TAPE	(4)
BRASS	CONTACT	(3)
PHOSPHOR BRONZE	SHELL	(2)
GLASS FILLED LCP UL94V-0, BLACK COLOR	HOUSING	(1)
MATERIAL	DESCRIPTION	ITEM



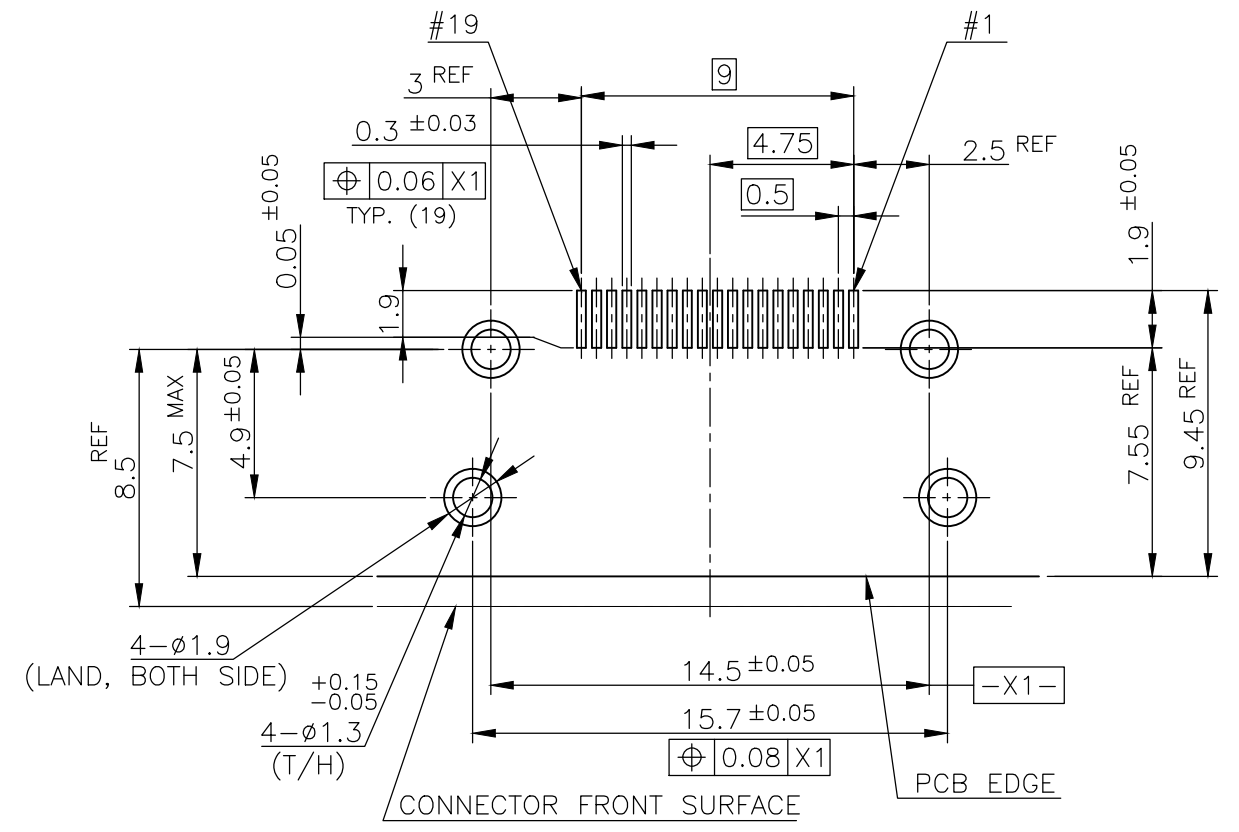
THIS DRAWING IS A CONTROLLED DOCUMENT.		DWN	TE Connectivity	
DIMENSIONS: 單位: 耗 mm		CHK		
TOLERANCES UNLESS OTHERWISE SPECIFIED: 一般公差		APVD		
0 PLC ± 1 PLC ± 2 PLC ± 3 PLC ± 4 PLC ± ANGLES ±		NAME 名称		
MATERIAL 材料		WEIGHT	HDMI 19 POS RECEPTACLE ASSY SMT SHORT TYPE	
FINISH 仕上		CUSTOMER DRAWING	SIZE	RESTRICTED TO
			A3	
			CAGE CODE	
			00779	
			DRAWING NO	
			G-1903015	
			SCALE 尺度	
			4:1	
			SHEET	
			3 OF 12	
			REV	
			S	

THIS DRAWING IS UNPUBLISHED. RELEASED FOR PUBLICATION SEP ,2005.
 © COPYRIGHT 2005 By - ALL RIGHTS RESERVED.

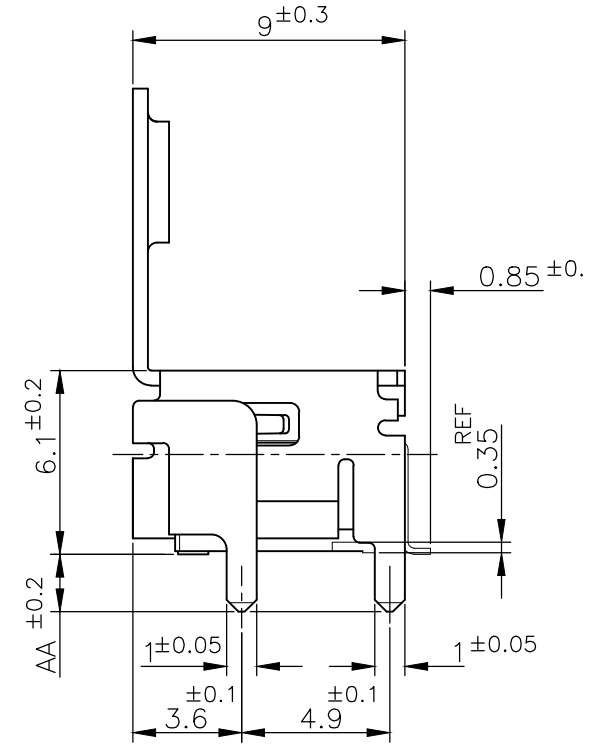
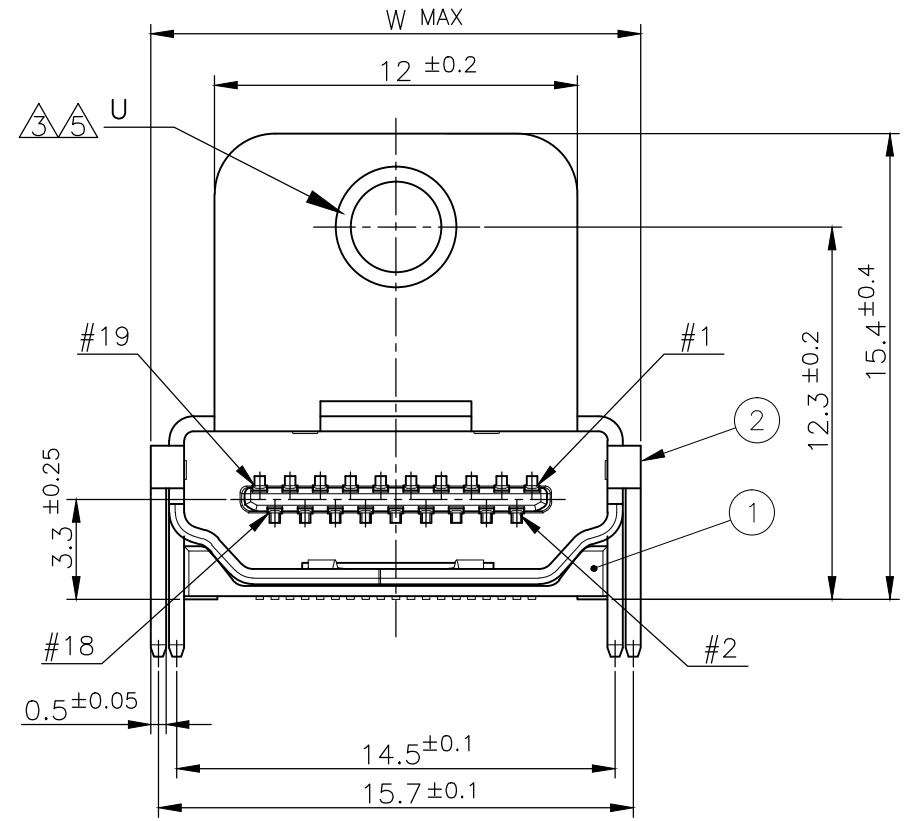
LOC	DIST	REVISIONS			DATE	DWN	APVD
		P	LTR	DESCRIPTION			
-	-	-	-	SEE SHEET 1	-	-	-



PANEL CUT OUT DIMENSION (REFERENCE)

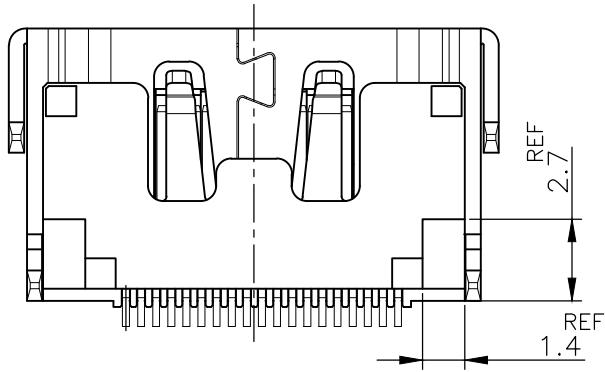


P.C.B LAYOUT (REFERENCE)
 SHOWN AS CONNECTOR MOUNTING SIDE
 TOLERANCE: NON-CUMULATIVE



CONNECTOR: WITH FLANGE THROUGH HOLE TYPE

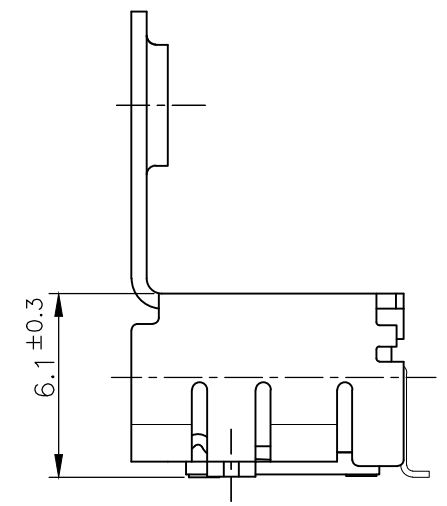
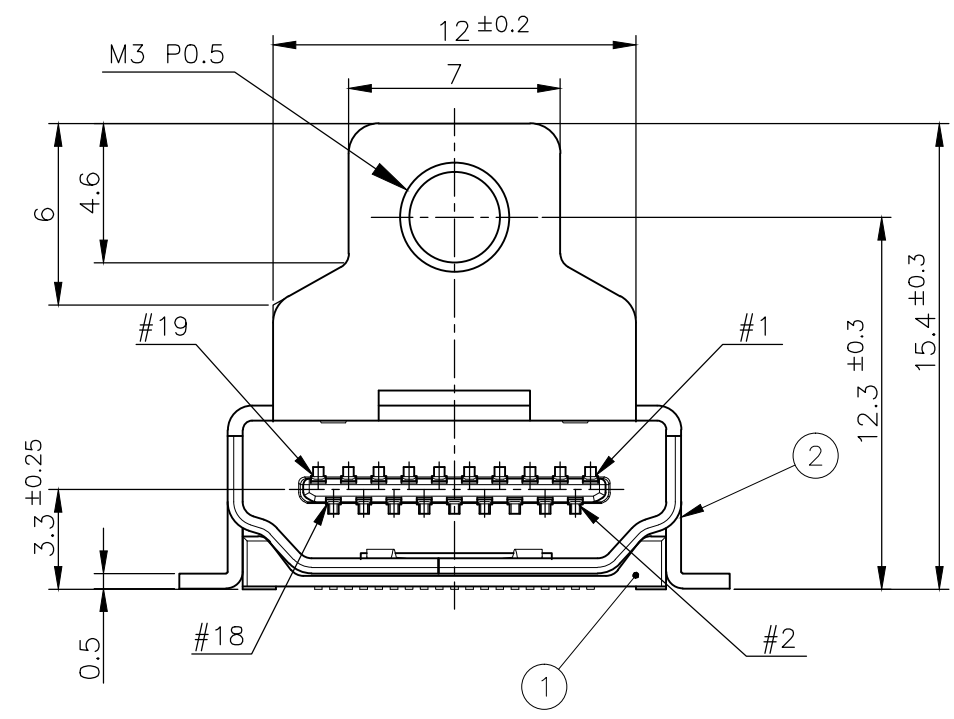
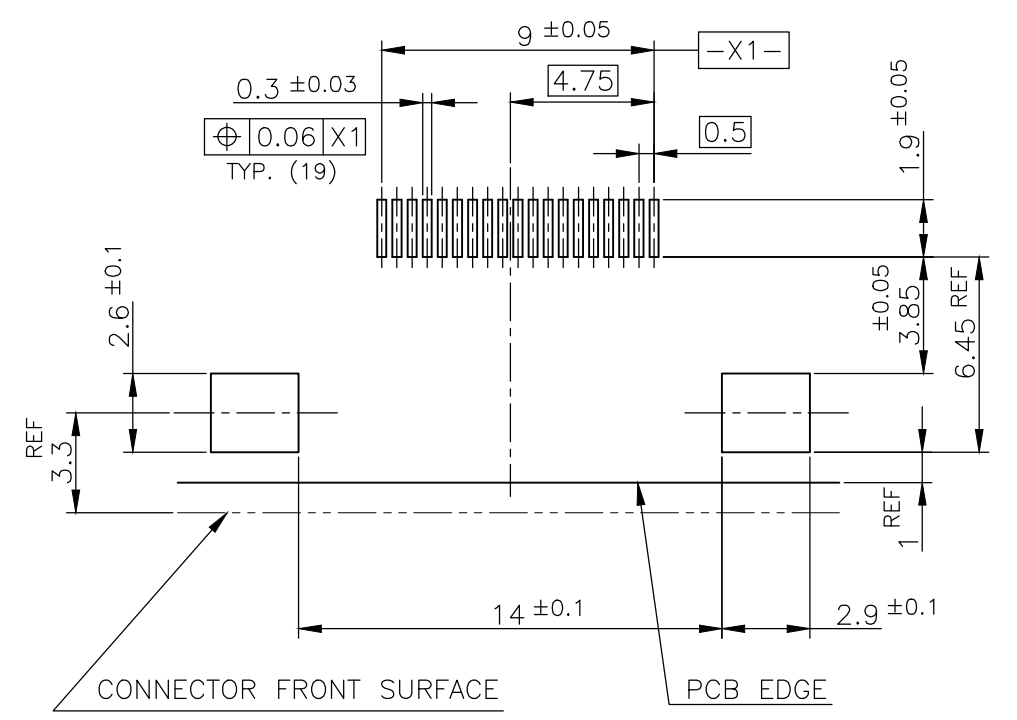
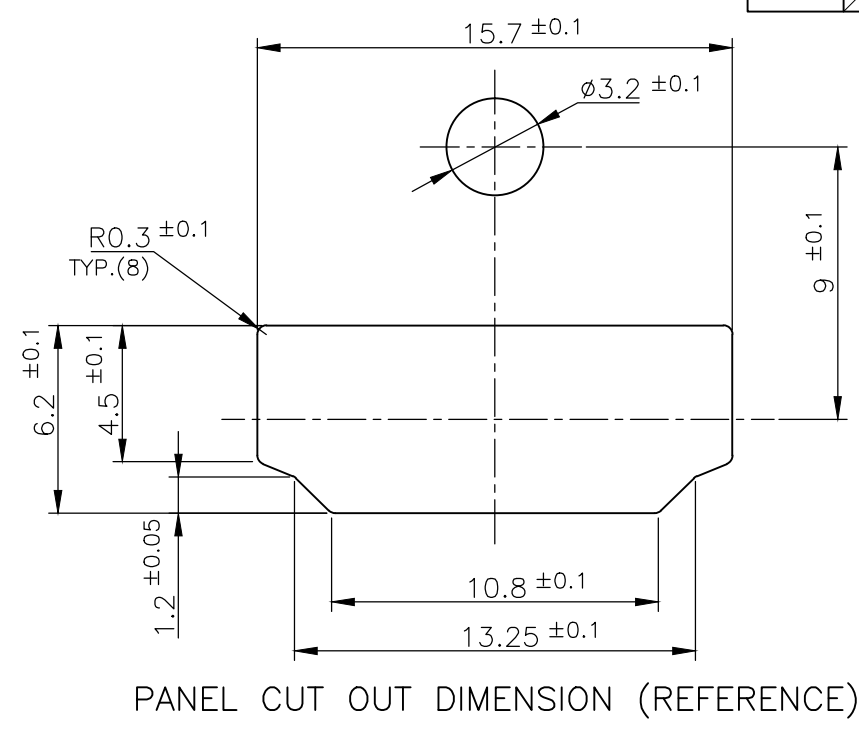
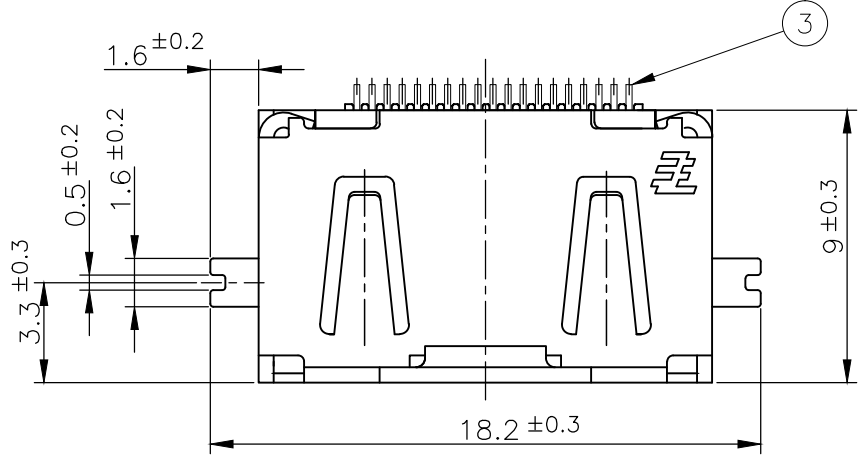
POLYIMIDE	TAPE	④
BRASS	CONTACT	③
PHOSPHOR BRONZE	SHELL	②
GLASS FILLED LCP UL94V-0, BLACK COLOR	HOUSING	①
MATERIAL	DESCRIPTION	ITEM



THIS DRAWING IS A CONTROLLED DOCUMENT.		DWN	TE Connectivity NAME 名称 HDMI 19 POS RECEPTACLE ASSY SMT SHORT TYPE				
DIMENSIONS: 单位: 耗 mm		CHK					
TOLERANCES UNLESS OTHERWISE SPECIFIED: 一般公差		APVD					
0 PLC ± 1 PLC ± 2 PLC ± 3 PLC ± 4 PLC ± ANGLES ±		PRODUCT SPEC 製品規格					
MATERIAL 材料		FINISH 仕上	APPLICATION SPEC 取付適用規格	SIZE	CAGE CODE	DRAWING NO 番号	RESTRICTED TO
		WEIGHT	CUSTOMER DRAWING	A3	00779	G-1903015	-
				SCALE 尺度	4:1	SHEET	4 OF 12
						REV	S

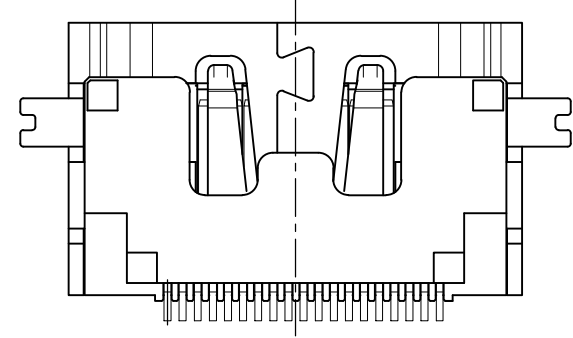
THIS DRAWING IS UNPUBLISHED. RELEASED FOR PUBLICATION SEP ,2005.
 © COPYRIGHT 2005 By - ALL RIGHTS RESERVED.

LOC		DIST		REVISIONS			DATE	DWN	APVD
P	LTR	DESCRIPTION							
-	-	SEE SHEET 1			-	-	-	-	-



CONNECTOR: WITH FLANGE FULL SMT TYPE

BRASS	CONTACT	3
PHOSPHOR BRONZE	SHELL	2
GLASS FILLED LCP UL94V-0, BLACK COLOR	HOUSING	1
MATERIAL	DESCRIPTION	ITEM



THIS DRAWING IS A CONTROLLED DOCUMENT.		DWN	TE Connectivity NAME 名称 HDMI 19 POS RECEPTACLE ASSY SMT SHORT TYPE				
DIMENSIONS: 单位: 耗 mm		CHK					
TOLERANCES UNLESS OTHERWISE SPECIFIED: 一般公差		APVD					
0 PLC ± 1 PLC ± 2 PLC ± 3 PLC ± 4 PLC ± ANGLES ±		PRODUCT SPEC 製品規格					
MATERIAL 材料	FINISH 仕上	WEIGHT	APPLICATION SPEC 取付適用規格	SIZE	CAGE CODE	DRAWING NO 番号	RESTRICTED TO
CUSTOMER DRAWING			SCALE 尺度 4:1	SHEET 5 OF 12	REV S	A3 00779 C-1903015	

THIS DRAWING IS UNPUBLISHED.

RELEASED FOR PUBLICATION

SEP ,2005.

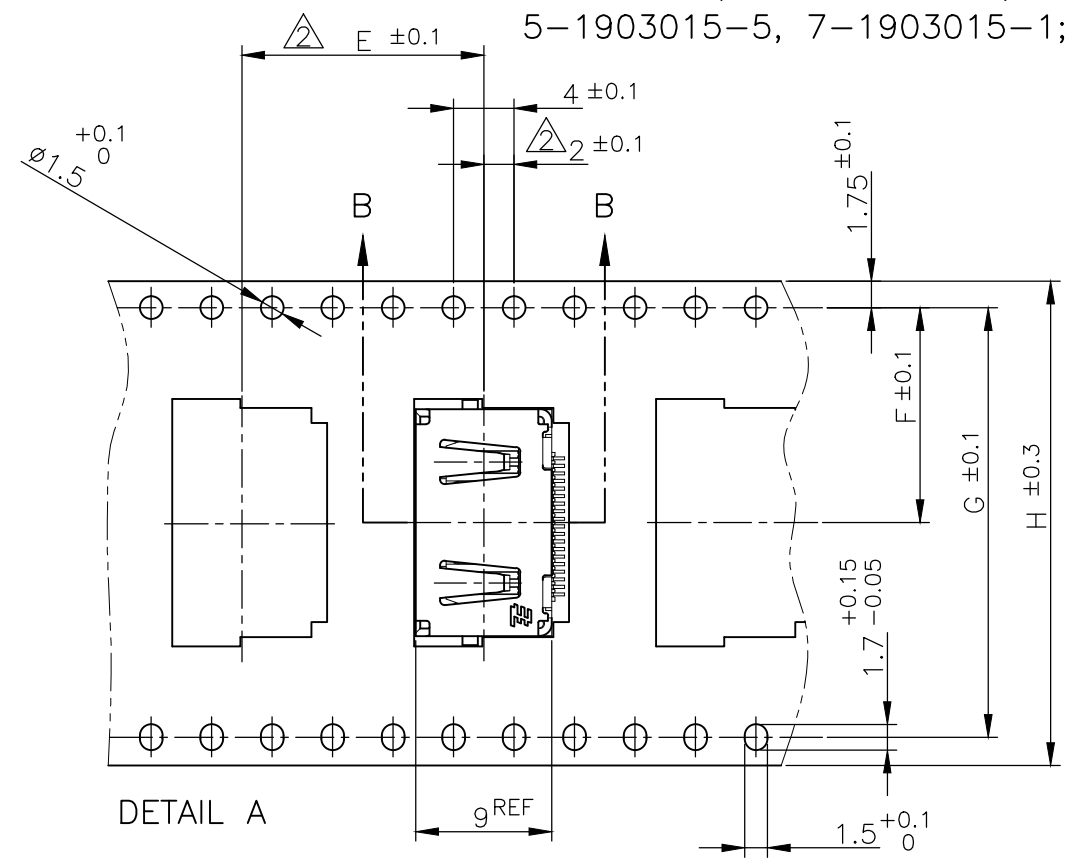
© COPYRIGHT 2005 By -

ALL RIGHTS RESERVED.

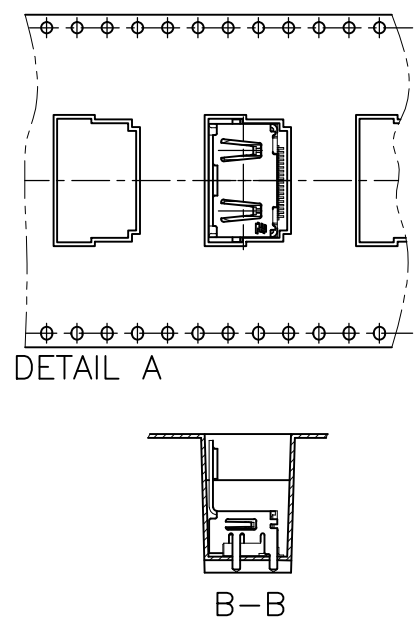
1903015-1, 2-1903015-2, 5-1903015-1
5-1903015-5, 7-1903015-1; AS SHOWN

LOC	DIST
-	-

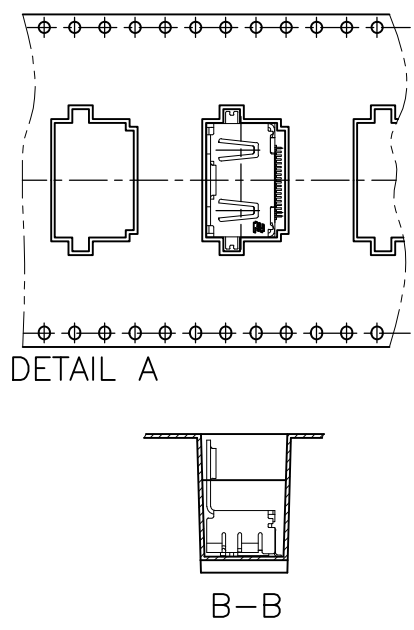
REVISIONS			DATE	DWN	APVD
P	LTR	DESCRIPTION			
-	-	SEE SHEET 1	-	-	-



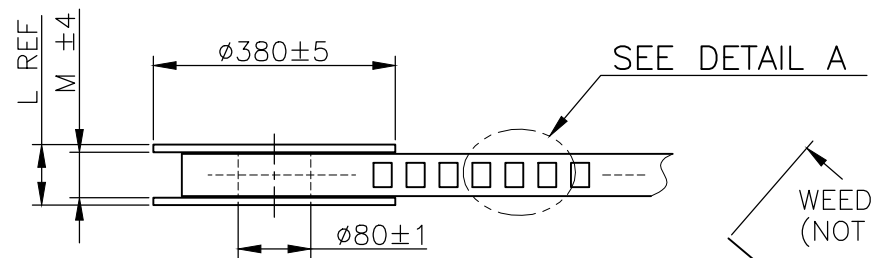
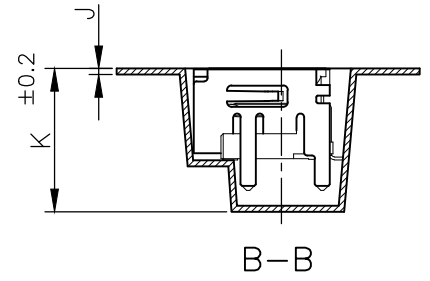
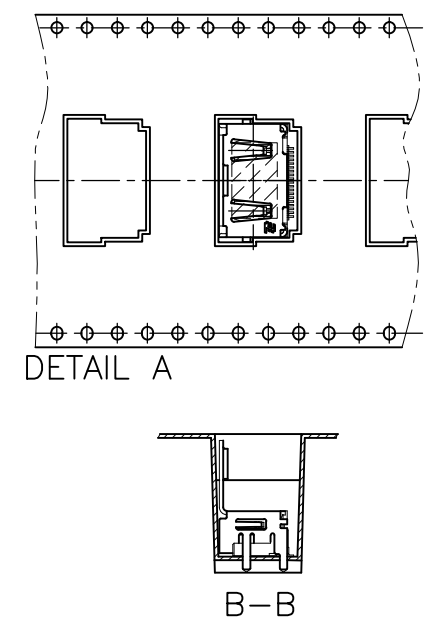
5-1903015-3; AS SHOWN (SCALE 1:1)



5-1903015-9; AS SHOWN (SCALE 1:1)



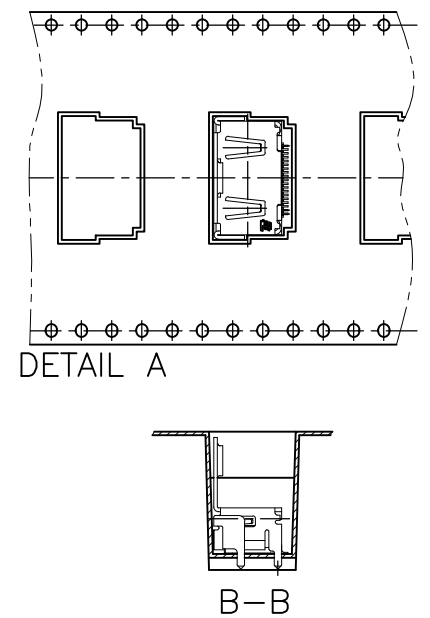
9-1903015-3; AS SHOWN (SCALE 1:1)



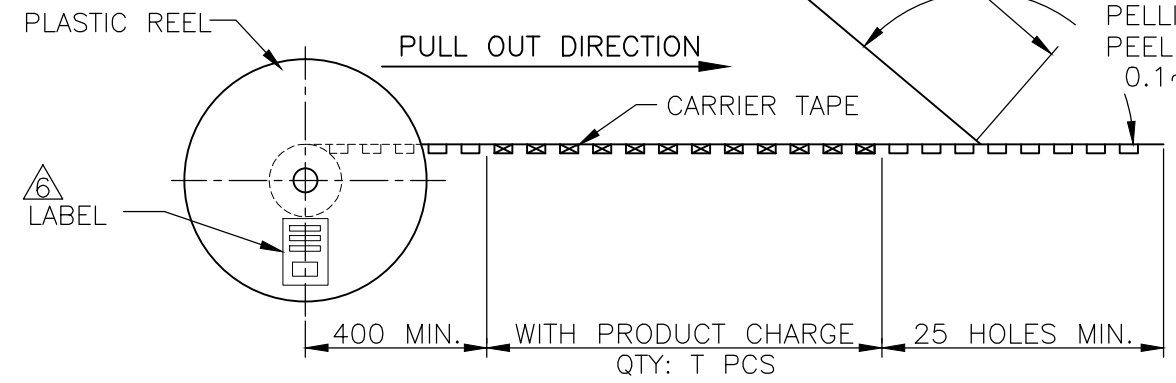
WEEDING THE COVER TAPE: 300 MIN (NOT INCLUDE EMPTINESS POCKET)
 PELLING ANGLE: 165°~180°
 PEELING STRENGTH: 0.1~0.7N (300mm/min.)

△ LABEL DESCRIPTION
 TYCO P/N: *-1903015-*
 QTY: * pcs
 D/C: MADE IN CHINA

1903015-3; AS SHOWN (SCALE 1:1)



PET	COVER TAPE
PS	CARRIER TAPE
PLASTIC	REEL
MATERIAL	DESCRIPTION

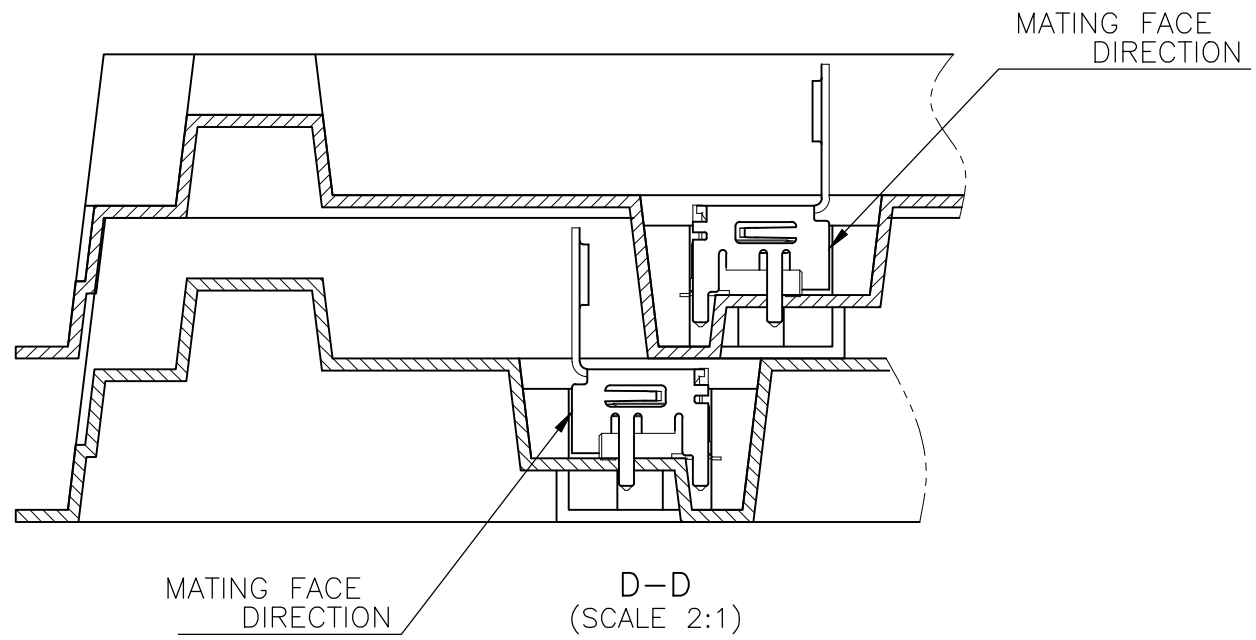
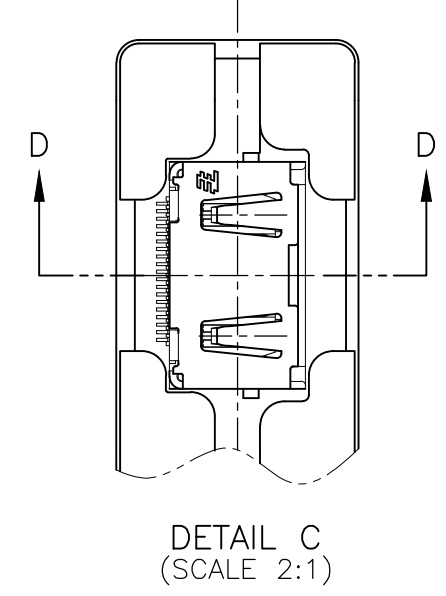
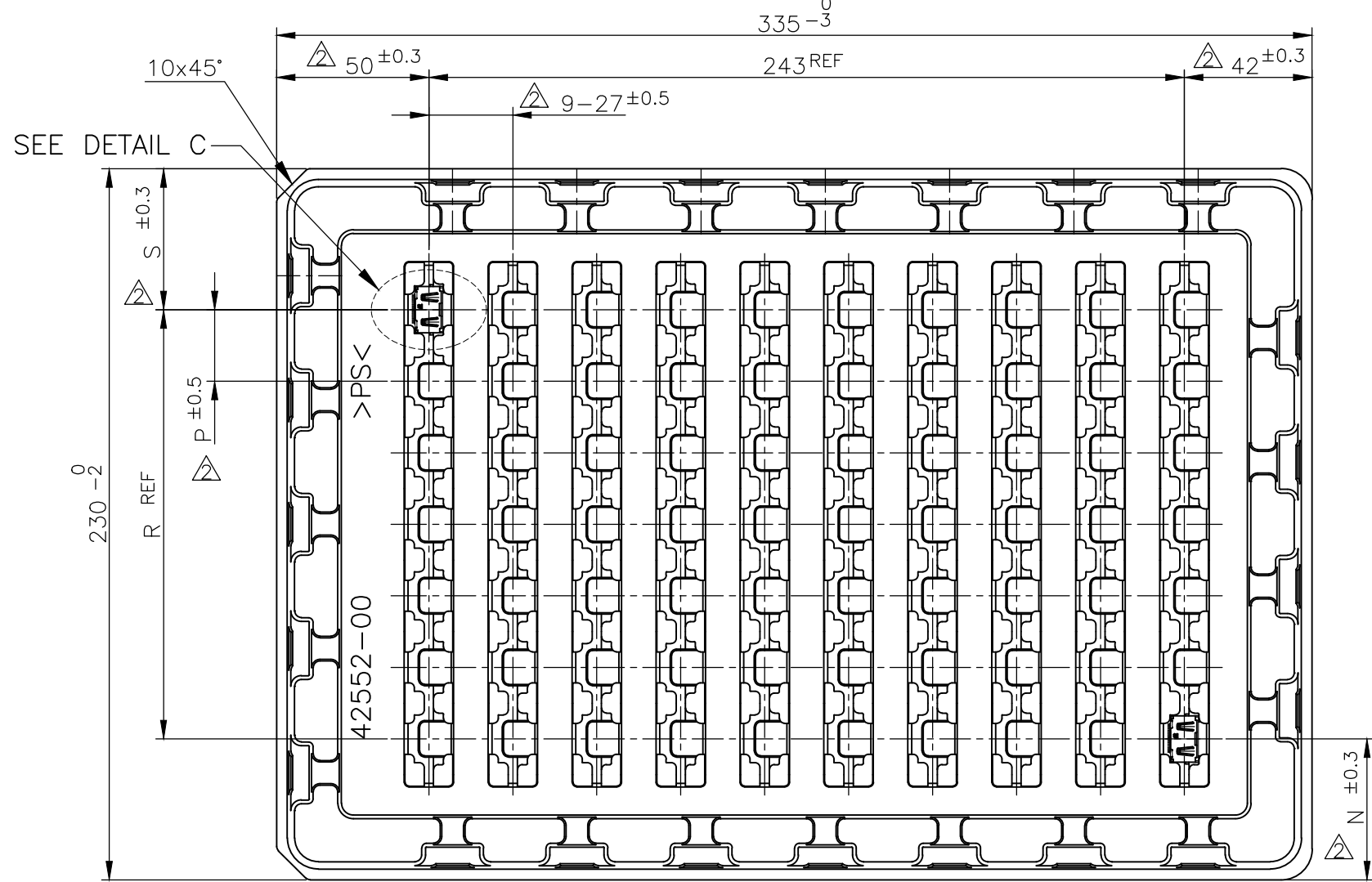


THIS DRAWING IS A CONTROLLED DOCUMENT.		DWN	STE TE Connectivity		
DIMENSIONS: 單位: 耗 mm		CHK			
TOLERANCES UNLESS OTHERWISE SPECIFIED: 一般公差		APVD	NAME 名稱		
0 PLC ±		PRODUCT SPEC 製品規格	HDMI 19 POS RECEPTACLE ASSY SMT SHORT TYPE		
1 PLC ±		APPLICATION SPEC 取付適用規格	SIZE	CAGE CODE	DRAWING NO 番号
2 PLC ±		WEIGHT	A3	00779	G-1903015
3 PLC ±		CUSTOMER DRAWING		RESTRICTED TO	-
4 PLC ±		SCALE 尺度 4:1		SHEET 6 OF 12	REV S
ANGLES ±					
FINISH 仕上					
MATERIAL 材料					

1903015-2, 1903015-5, 4-1903015-1, 5-1903015-2, 5-1903015-4
8-1903015-4, 9-1903015-4; AS SHOWN

OBSOLETE

LOC	DIST	REVISIONS					
		P	LTR	DESCRIPTION	DATE	DWN	APVD
-	-	-	-	SEE SHEET 1	-	-	-

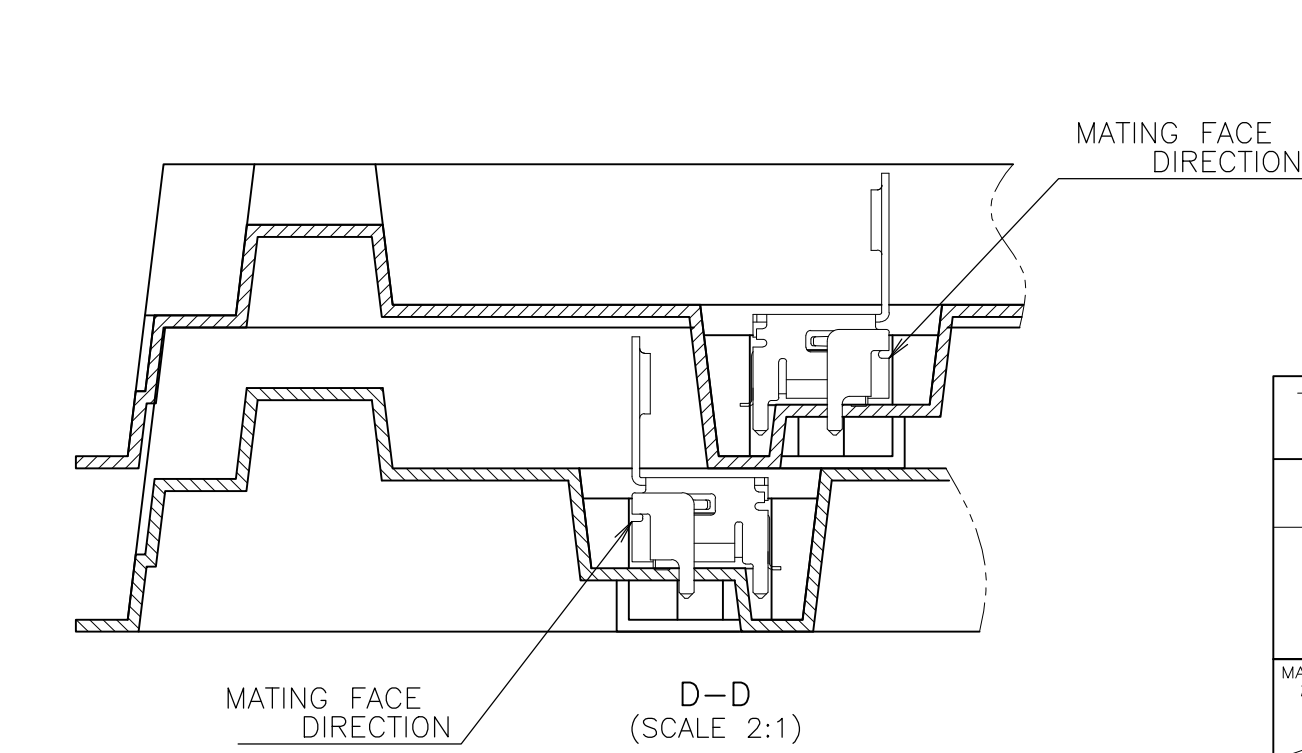
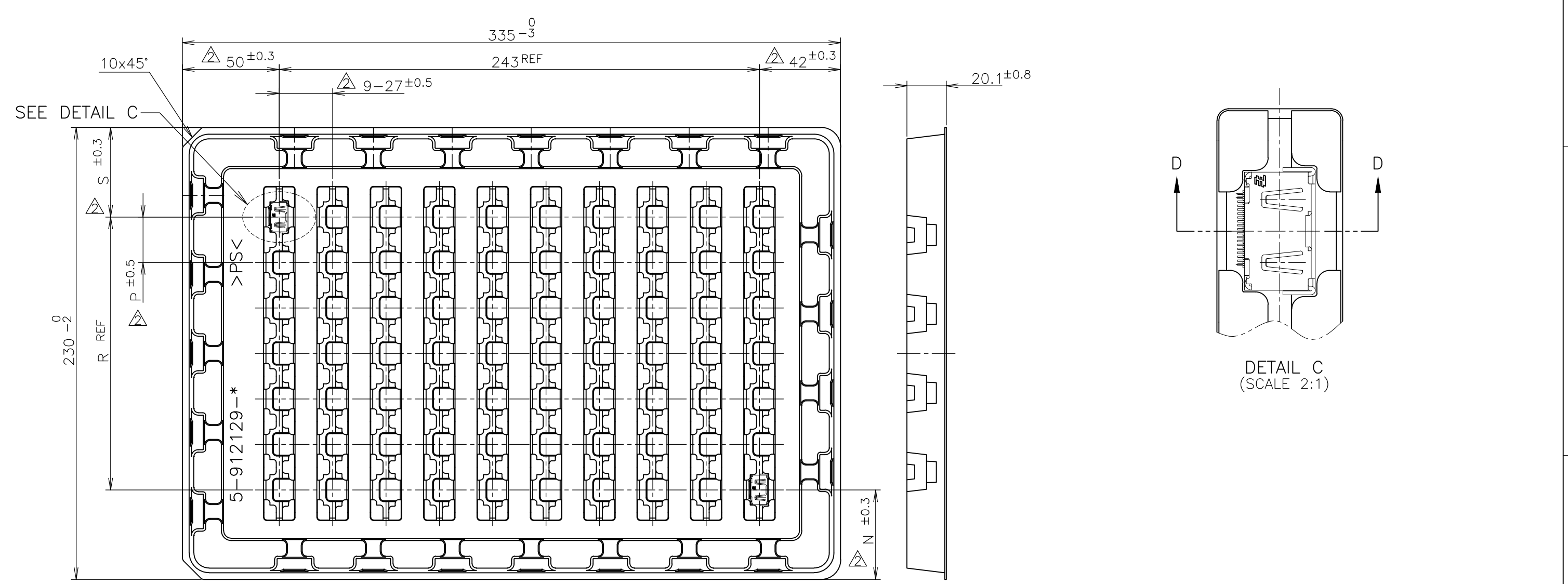


THIS DRAWING IS A CONTROLLED DOCUMENT.		DWN	PS				TRAY
DIMENSIONS: 单位: 耗 mm		CHK	MATERIAL				DESCRIPTION
TOLERANCES UNLESS OTHERWISE SPECIFIED: 一般公差		APVD	TE Connectivity				NAME 名称 HDMI 19 POS RECEPTACLE ASSY SMT SHORT TYPE
0 PLC ±		PRODUCT SPEC 製品規格					
1 PLC ±		APPLICATION SPEC 取付適用規格	SIZE	CAGE CODE	DRAWING NO 番号	RESTRICTED TO	
2 PLC ±		WEIGHT	A3	00779	G-1903015	-	
3 PLC ±		CUSTOMER DRAWING	SCALE 尺度 4:1		SHEET 7 OF 12	REV S	
4 PLC ±							
ANGLES ±							
FINISH 仕上							
MATERIAL 材料							

THIS DRAWING IS UNPUBLISHED. RELEASED FOR PUBLICATION SEP , 2005.
 © COPYRIGHT 2005 By - ALL RIGHTS RESERVED.

LOC	DIST	REVISIONS			DATE	DWN	APVD
		P	LTR	DESCRIPTION			
-	-	-	-	SEE SHEET 1	-	-	-

1903015-4; AS SHOWN



THIS DRAWING IS A CONTROLLED DOCUMENT.		DWN	TE Connectivity NAME 名称 HDMI 19 POS RECEPTACLE ASSY SMT SHORT TYPE			RESTRICTED TO		
DIMENSIONS: 单位: 耗 mm		CHK				SIZE	CAGE CODE	DRAWING NO 番号
TOLERANCES UNLESS OTHERWISE SPECIFIED: 一般公差		APVD				A3	00779	C-1903015
0 PLC ± 1 PLC ± 2 PLC ± 3 PLC ± 4 PLC ± ANGLES ± MATERIAL 材料 FINISH 仕上		PRODUCT SPEC 製品規格				WEIGHT	SCALE 尺度 4:1	SHEET 8 OF 12
APPLICATION SPEC 取付適用規格		CUSTOMER DRAWING						

4

3

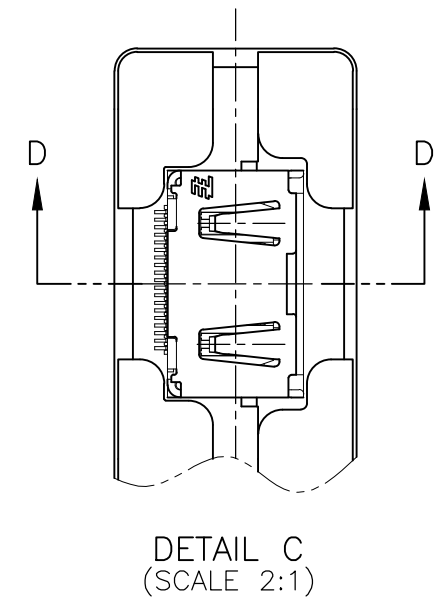
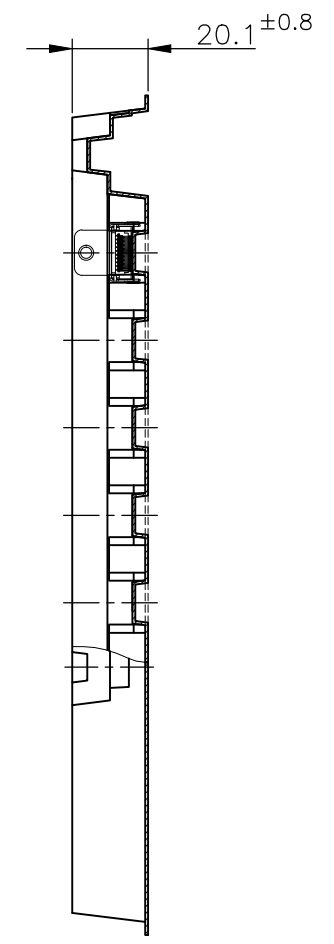
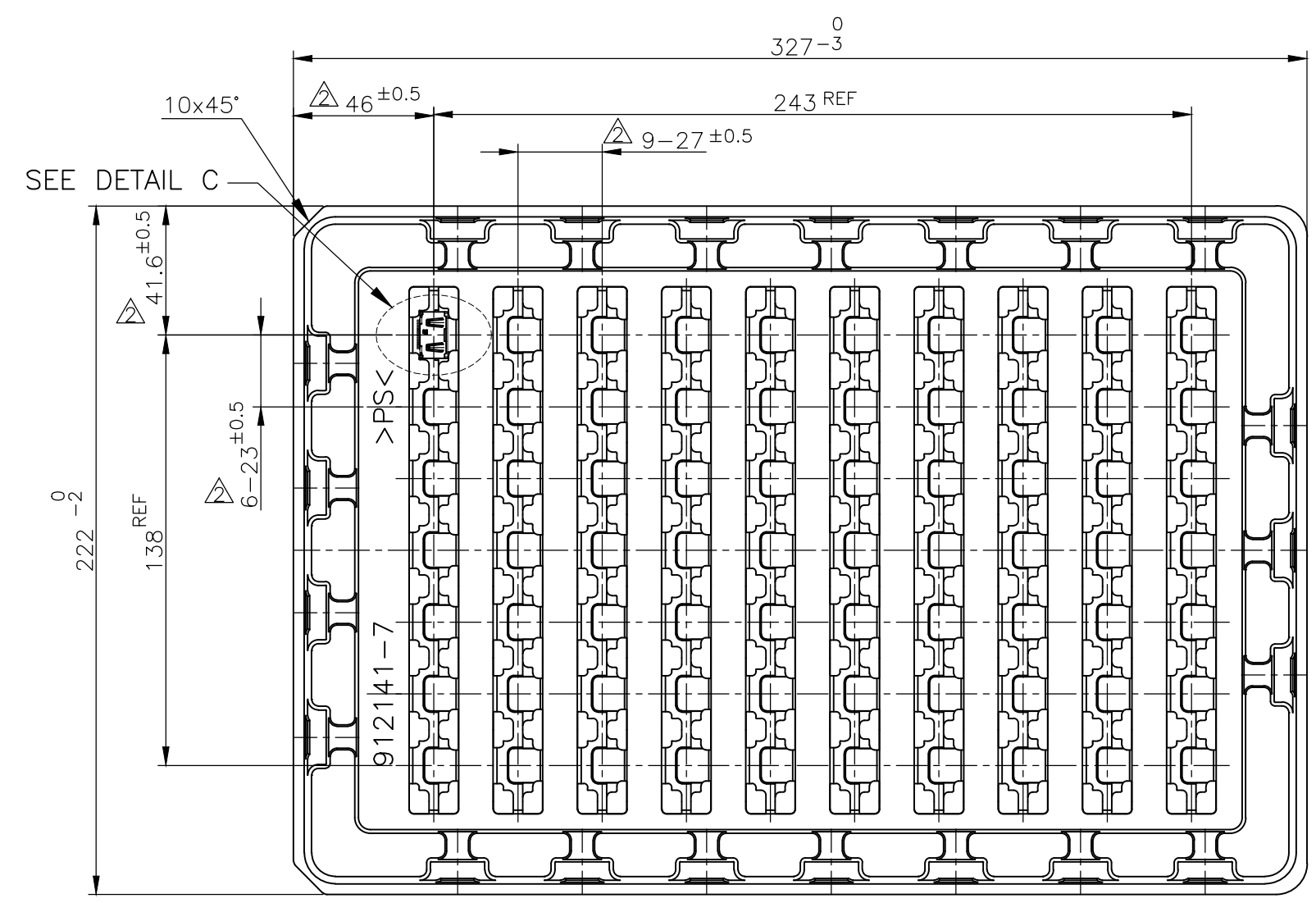
2

1

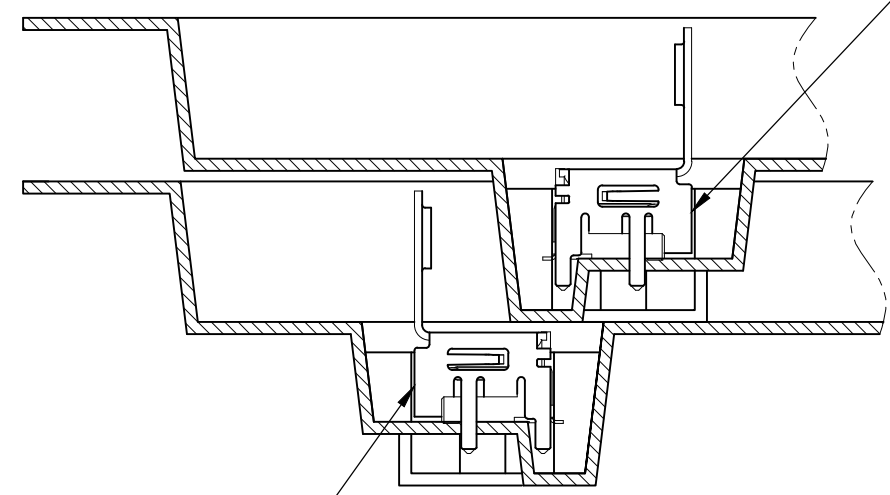
THIS DRAWING IS UNPUBLISHED. RELEASED FOR PUBLICATION SEP , 2005.
 © COPYRIGHT 2005 By - ALL RIGHTS RESERVED.

LOC		DIST		REVISIONS			DATE	DWN	APVD
				变更					
P	LTR	DESCRIPTION							
-	-	SEE SHEET 1			-	-	-	-	

1903015-7, 1903015-8; AS SHOWN



MATING FACE DIRECTION



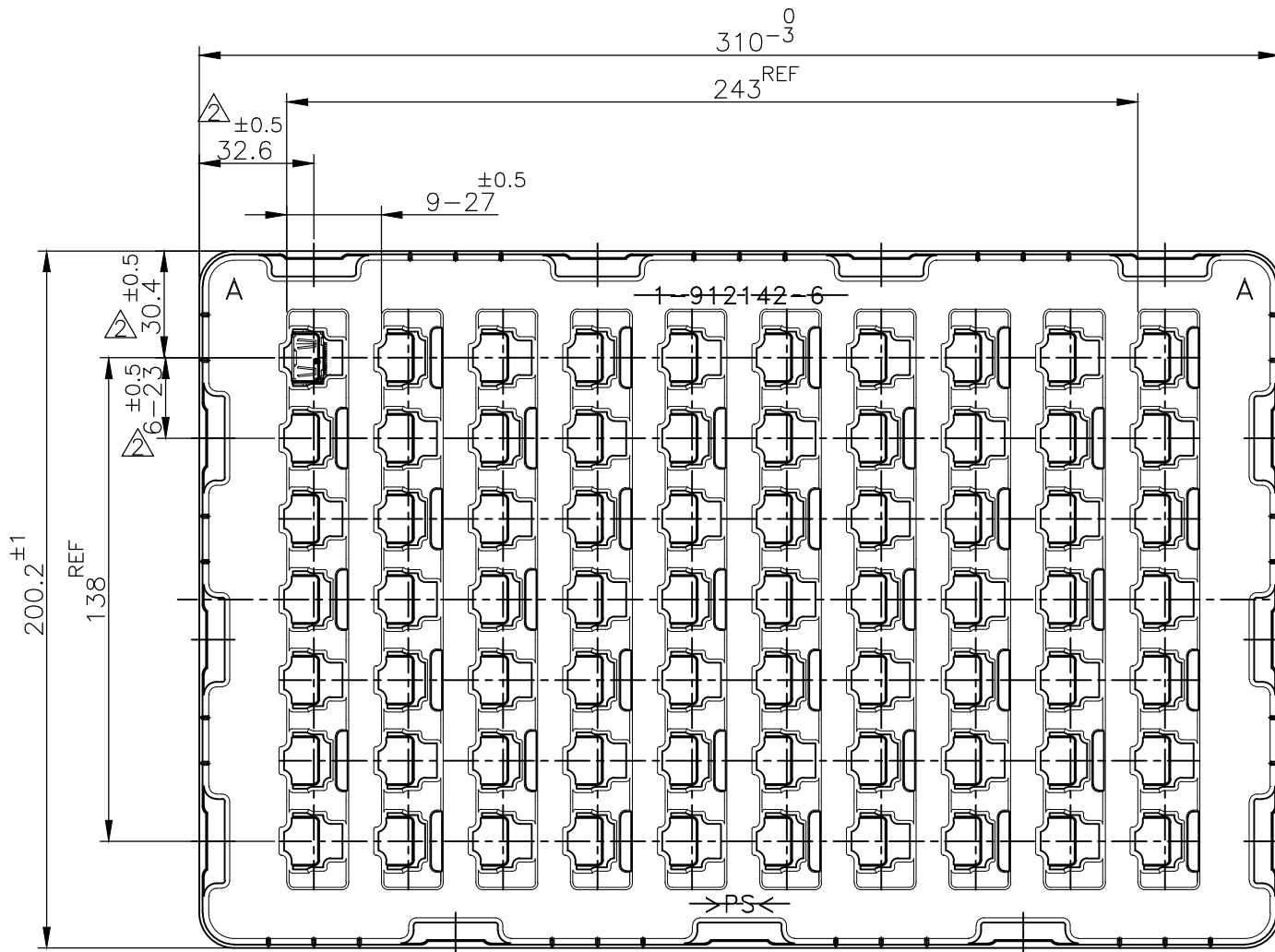
MATING FACE DIRECTION D-D (SCALE 2:1)

THIS DRAWING IS A CONTROLLED DOCUMENT.		DWN	TE Connectivity NAME 名称 HDMI 19 POS RECEPTACLE ASSY SMT SHORT TYPE			PS		TRAY				
DIMENSIONS: 单位: 耗 mm		CHK				MATERIAL		DESCRIPTION				
TOLERANCES UNLESS OTHERWISE SPECIFIED: 一般公差		APVD				SIZE				CAGE CODE	DRAWING NO 番号	RESTRICTED TO
0 PLC ± 1 PLC ± 2 PLC ± 3 PLC ± 4 PLC ± ANGLES ± FINISH 仕上		PRODUCT SPEC 製品規格				A3		00779	C-1903015			
MATERIAL 材料		APPLICATION SPEC 取付適用規格	WEIGHT		CUSTOMER DRAWING		SCALE 尺度 4:1	SHEET 9 OF 12	REV S			

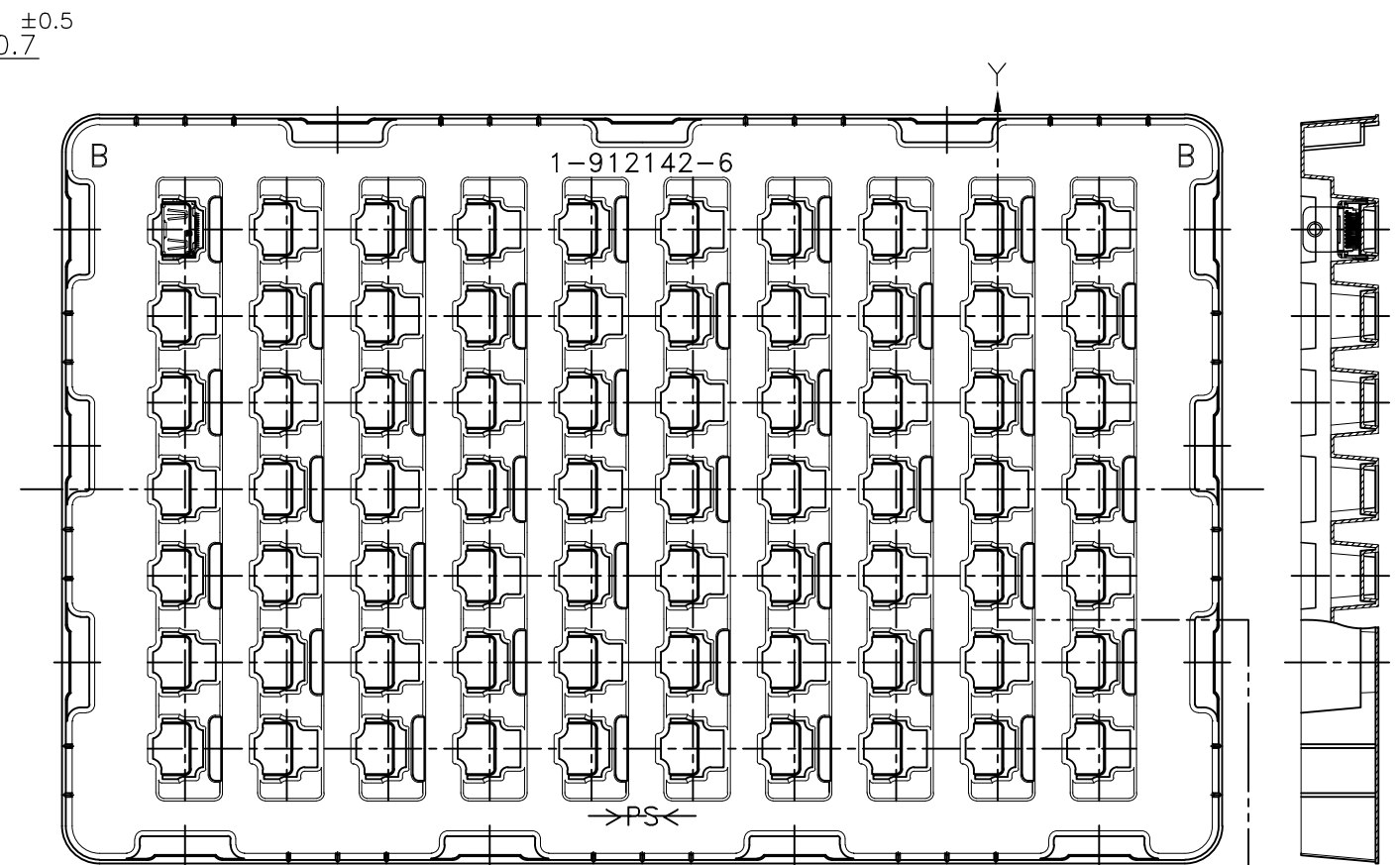
LOC	DIST
-	-

REVISIONS		DATE	DWN	APVD
変更				
P	LTR	DESCRIPTION		
-	-	SEE SHEET 1	-	-

8-1903015-4; AS SHOWN

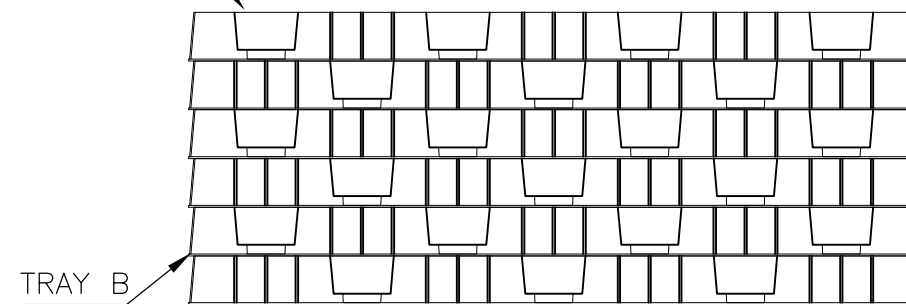


TRAY A

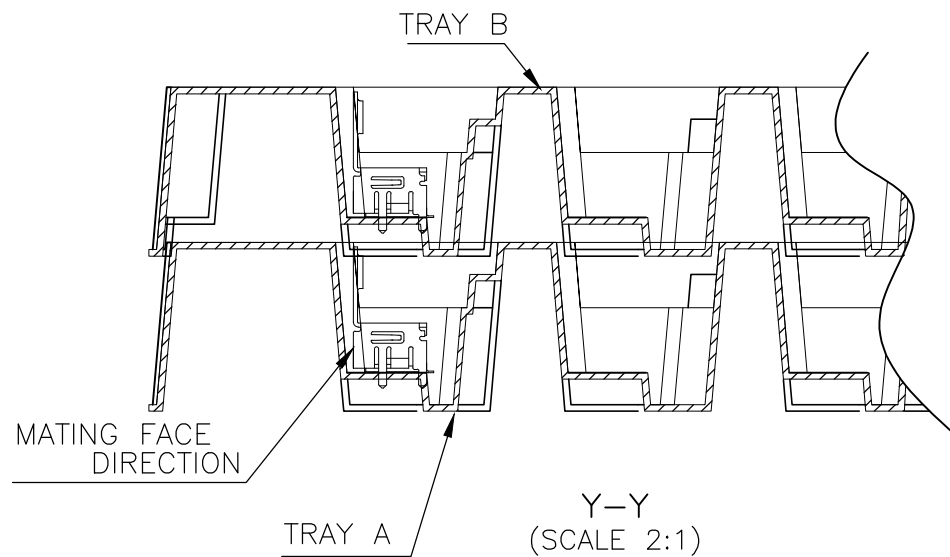


TRAY B

TRAY B (EMPTY)



TRAY B
TRAY A



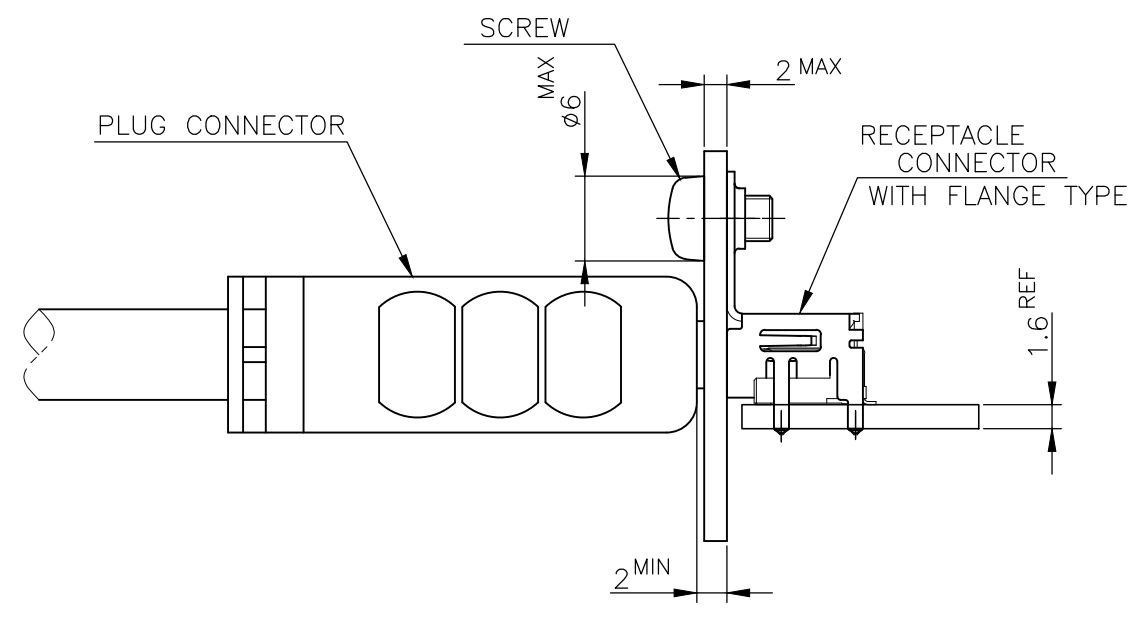
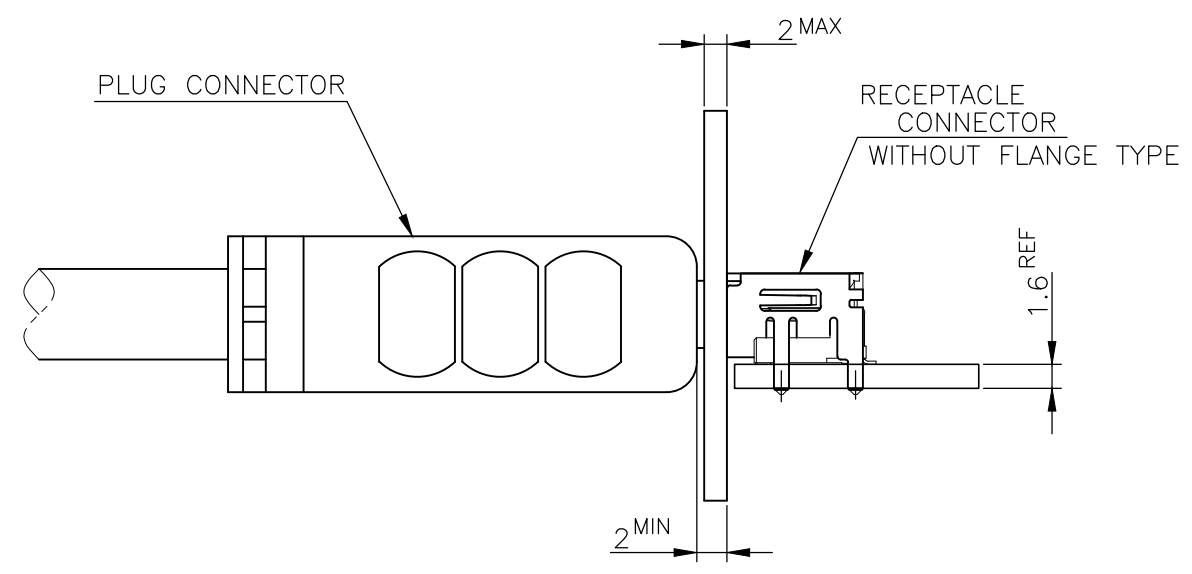
Y-Y
(SCALE 2:1)

PS	TRAY
MATERIAL	DESCRIPTION

THIS DRAWING IS A CONTROLLED DOCUMENT.		DWN	STE TE Connectivity	
DIMENSIONS: 単位: 耗 mm		CHK		
TOLERANCES UNLESS OTHERWISE SPECIFIED: 一般公差		APVD	NAME 名称	
0 PLC ±		PRODUCT SPEC 製品規格	HDMI 19 POS RECEPTACLE ASSY SMT SHORT TYPE	
1 PLC ±		APPLICATION SPEC 取付適用規格	SIZE	CAGE CODE
2 PLC ±		WEIGHT	A3	00779
3 PLC ±		CUSTOMER DRAWING	DRAWING NO 番号	
4 PLC ±			G-1903015	
ANGLES ±		SCALE 尺度	SHEET	REV
FINISH 仕上		4:1	10 OF 12	S
MATERIAL 材料		RESTRICTED TO		

THIS DRAWING IS UNPUBLISHED. RELEASED FOR PUBLICATION SEP , 2005.
 © COPYRIGHT 2005 By - ALL RIGHTS RESERVED.

LOC		DIST		REVISIONS 変更			DATE	DWN	APVD
P	LTR	DESCRIPTION							
-	-	SEE SHEET 1			-	-	-	-	

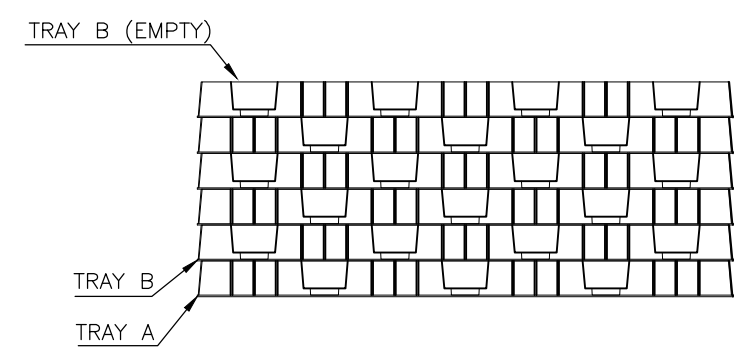
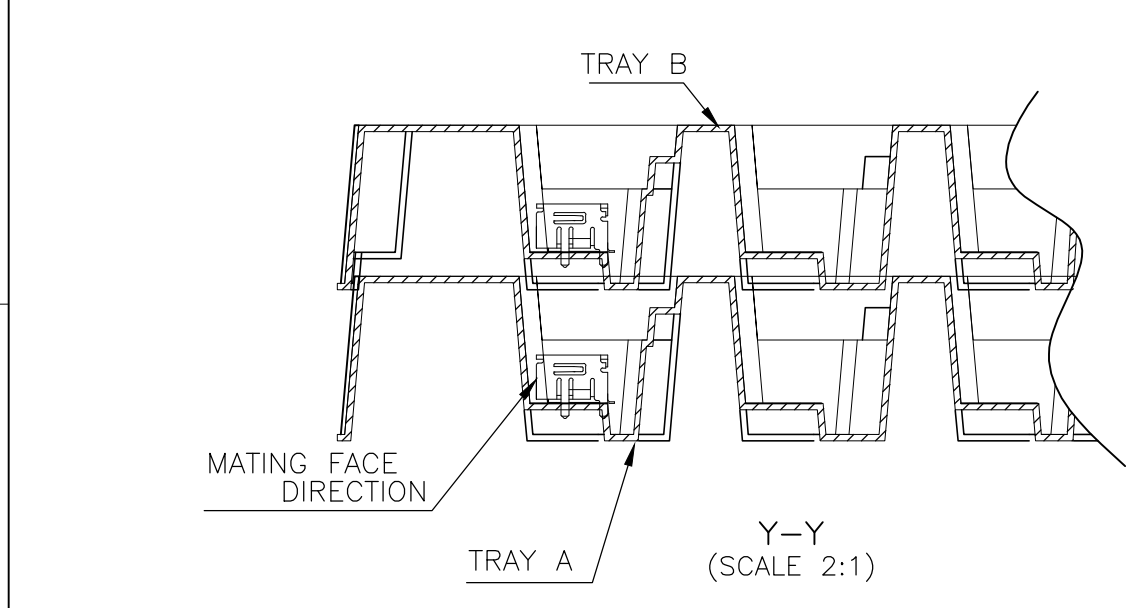
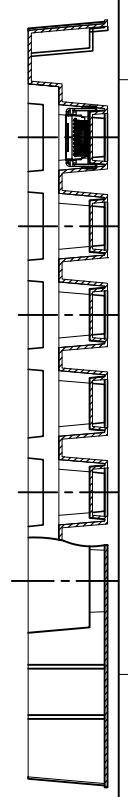
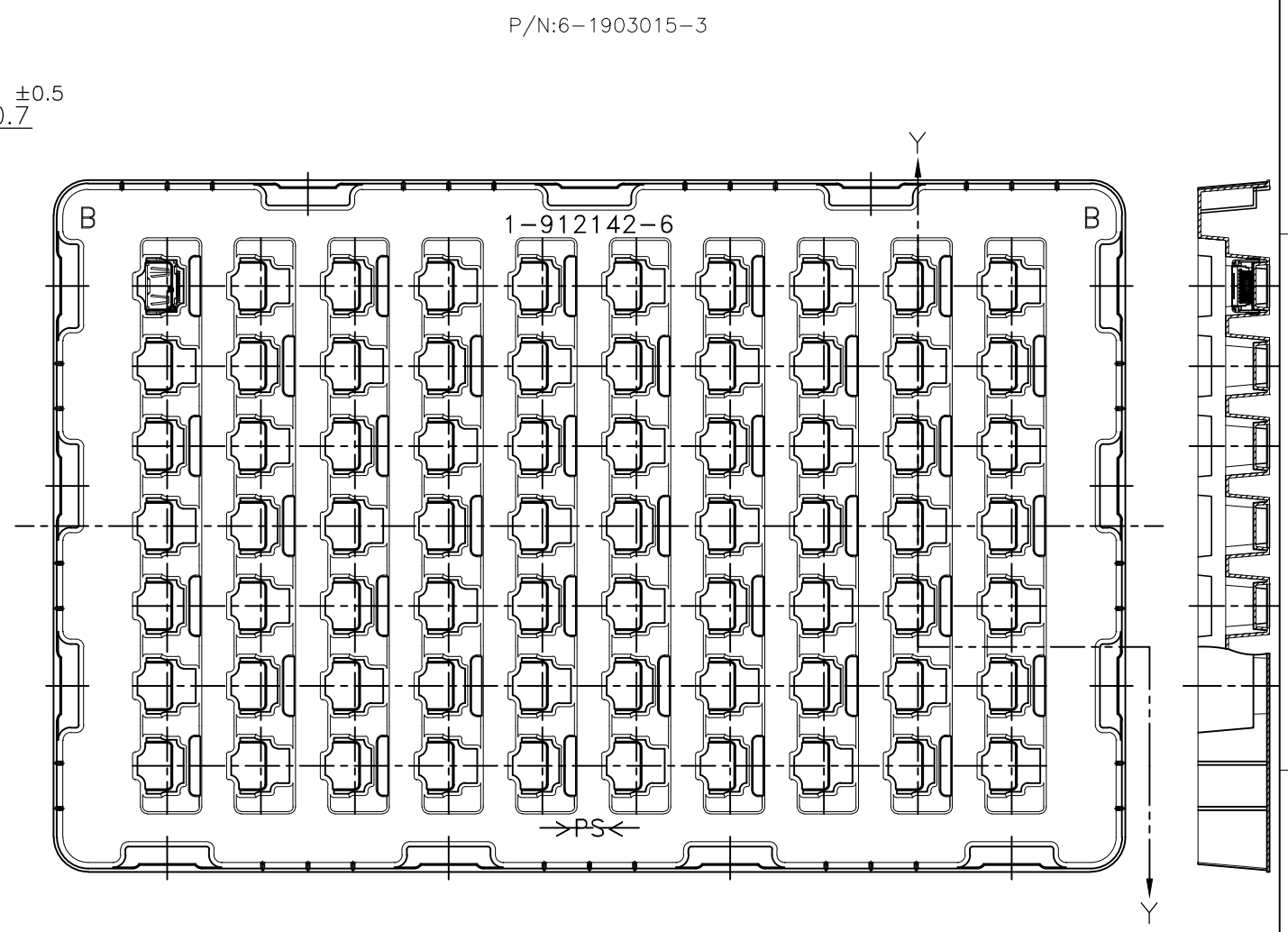
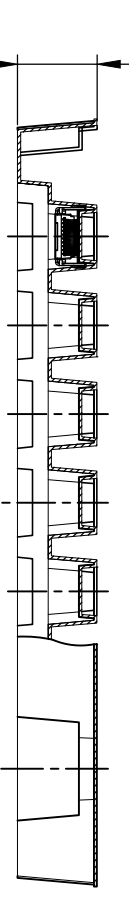
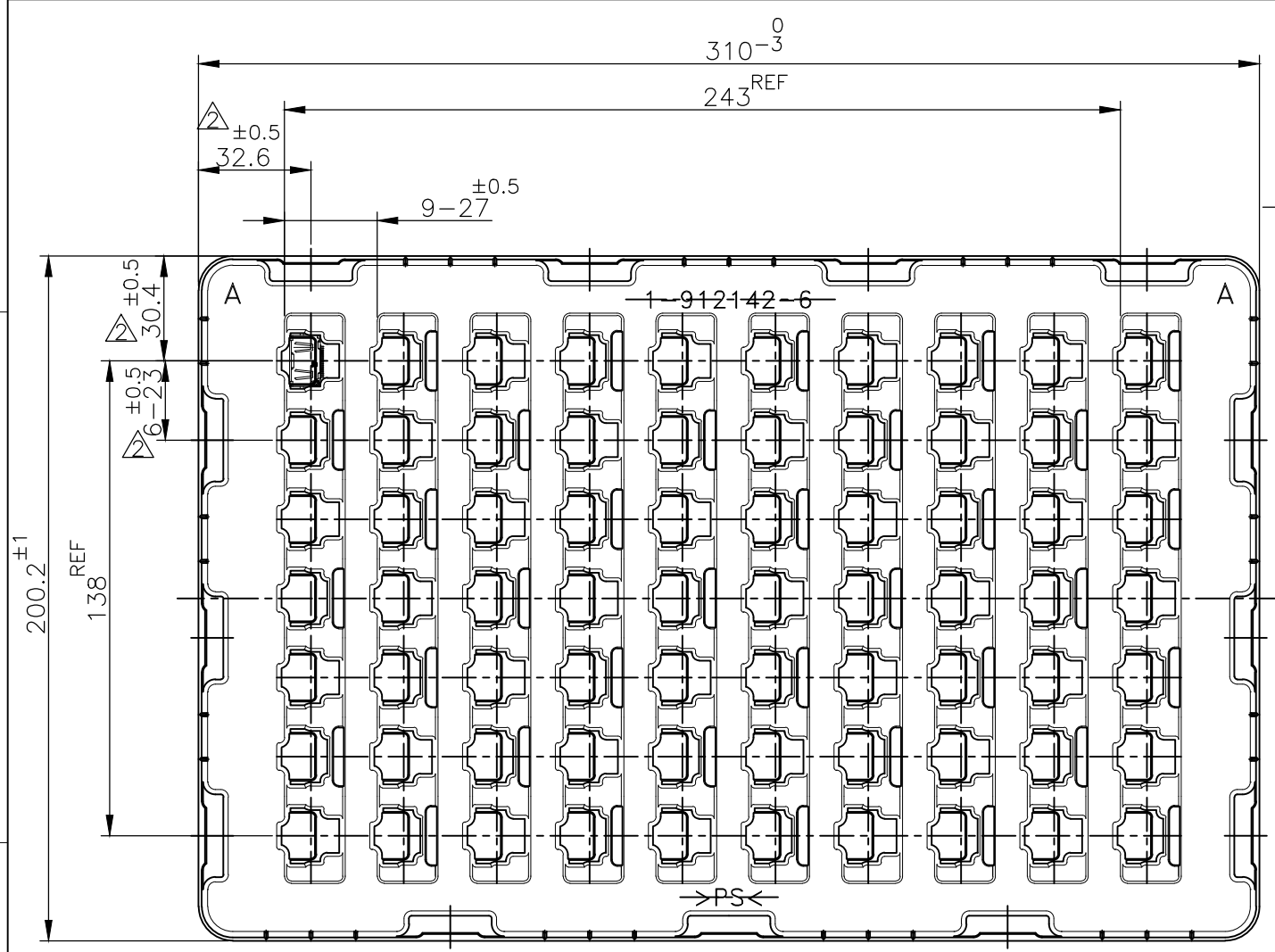


MATING CONDITION (REFERENCE)
(SCALE 2:1)

THIS DRAWING IS A CONTROLLED DOCUMENT.		DWN		STE TE Connectivity	
DIMENSIONS: 單位: 耗 mm		CHK			
		APVD		NAME 名稱	
		PRODUCT SPEC 製品規格		HDMI 19 POS RECEPTACLE ASSY SMT SHORT TYPE	
MATERIAL 材料		FINISH 仕上		APPLICATION SPEC 取付適用規格	
		WEIGHT		SIZE	CAGE CODE
		CUSTOMER DRAWING		A3	00779
				DRAWING NO 番号	RESTRICTED TO
				G-1903015	-
				SCALE 尺度	SHEET
				4:1	11 OF 12
				REV	S

THIS DRAWING IS UNPUBLISHED. RELEASED FOR PUBLICATION SEP, 2005.
 ALL RIGHTS RESERVED.

LOC	DIST	P	LTR	REV	DATE	DWN	APVD
-	-	-	-	SEE SHEET 1	-	-	-



PS	TRAY
MATERIAL	DESCRIPTION

THIS DRAWING IS A CONTROLLED DOCUMENT.		DWN	TE Connectivity NAME 名称 HDMI 19 POS RECEPTACLE ASSY SMT SHORT TYPE			RESTRICTED TO		
DIMENSIONS: 单位: 耗 mm	TOLERANCES UNLESS OTHERWISE SPECIFIED: 一般公差	CHK						
 0 PLC ± 1 PLC ± 2 PLC ± 3 PLC ± 4 PLC ± ANGLES ±	FINISH 仕上	APVD						
		MATERIAL 材料				PRODUCT SPEC 製品規格	WEIGHT	
CUSTOMER DRAWING		APPLICATION SPEC 取付適用規格	SIZE	CAGE CODE	DRAWING NO 番号	SCALE 尺度	SHEET	REV
			A3	00779	G-1903015	4:1	12 OF 12	S



Компания «ЭлектроПласт» предлагает заключение долгосрочных отношений при поставках импортных электронных компонентов на взаимовыгодных условиях!

Наши преимущества:

- Оперативные поставки широкого спектра электронных компонентов отечественного и импортного производства напрямую от производителей и с крупнейших мировых складов;
- Поставка более 17-ти миллионов наименований электронных компонентов;
- Поставка сложных, дефицитных, либо снятых с производства позиций;
- Оперативные сроки поставки под заказ (от 5 рабочих дней);
- Экспресс доставка в любую точку России;
- Техническая поддержка проекта, помощь в подборе аналогов, поставка прототипов;
- Система менеджмента качества сертифицирована по Международному стандарту ISO 9001;
- Лицензия ФСБ на осуществление работ с использованием сведений, составляющих государственную тайну;
- Поставка специализированных компонентов (Xilinx, Altera, Analog Devices, Intersil, Interpoint, Microsemi, Aeroflex, Peregrine, Syfer, Eurofarad, Texas Instrument, Miteq, Cobham, E2V, MA-COM, Hittite, Mini-Circuits, General Dynamics и др.);

Помимо этого, одним из направлений компании «ЭлектроПласт» является направление «Источники питания». Мы предлагаем Вам помощь Конструкторского отдела:

- Подбор оптимального решения, техническое обоснование при выборе компонента;
- Подбор аналогов;
- Консультации по применению компонента;
- Поставка образцов и прототипов;
- Техническая поддержка проекта;
- Защита от снятия компонента с производства.



Как с нами связаться

Телефон: 8 (812) 309 58 32 (многоканальный)

Факс: 8 (812) 320-02-42

Электронная почта: org@eplast1.ru

Адрес: 198099, г. Санкт-Петербург, ул. Калинина, дом 2, корпус 4, литера А.