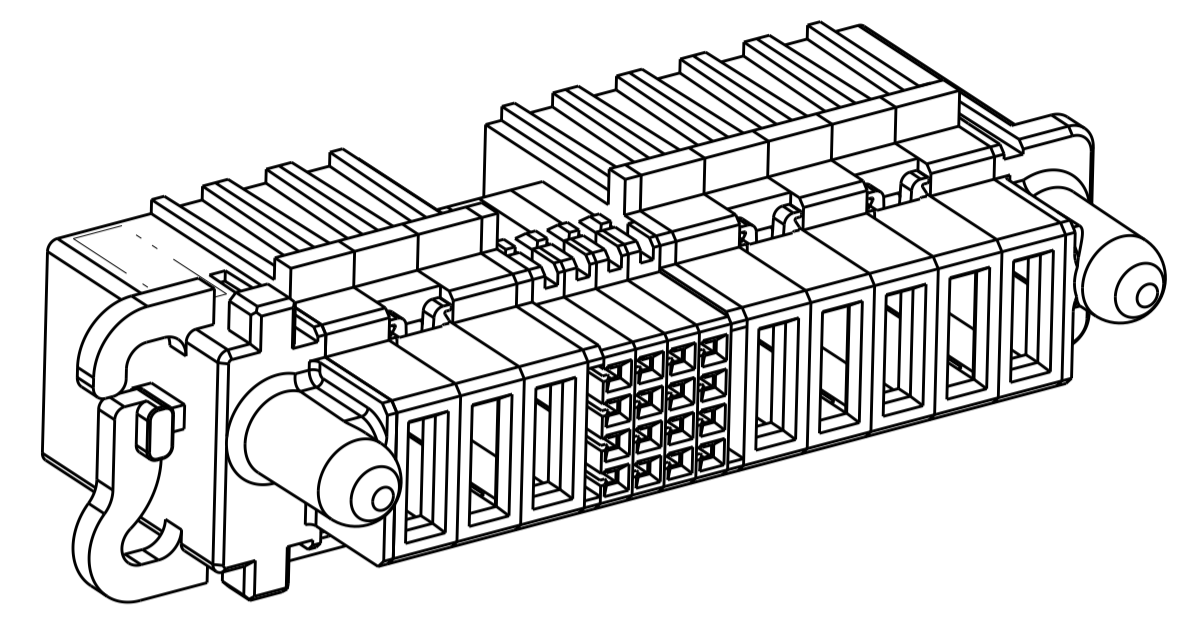
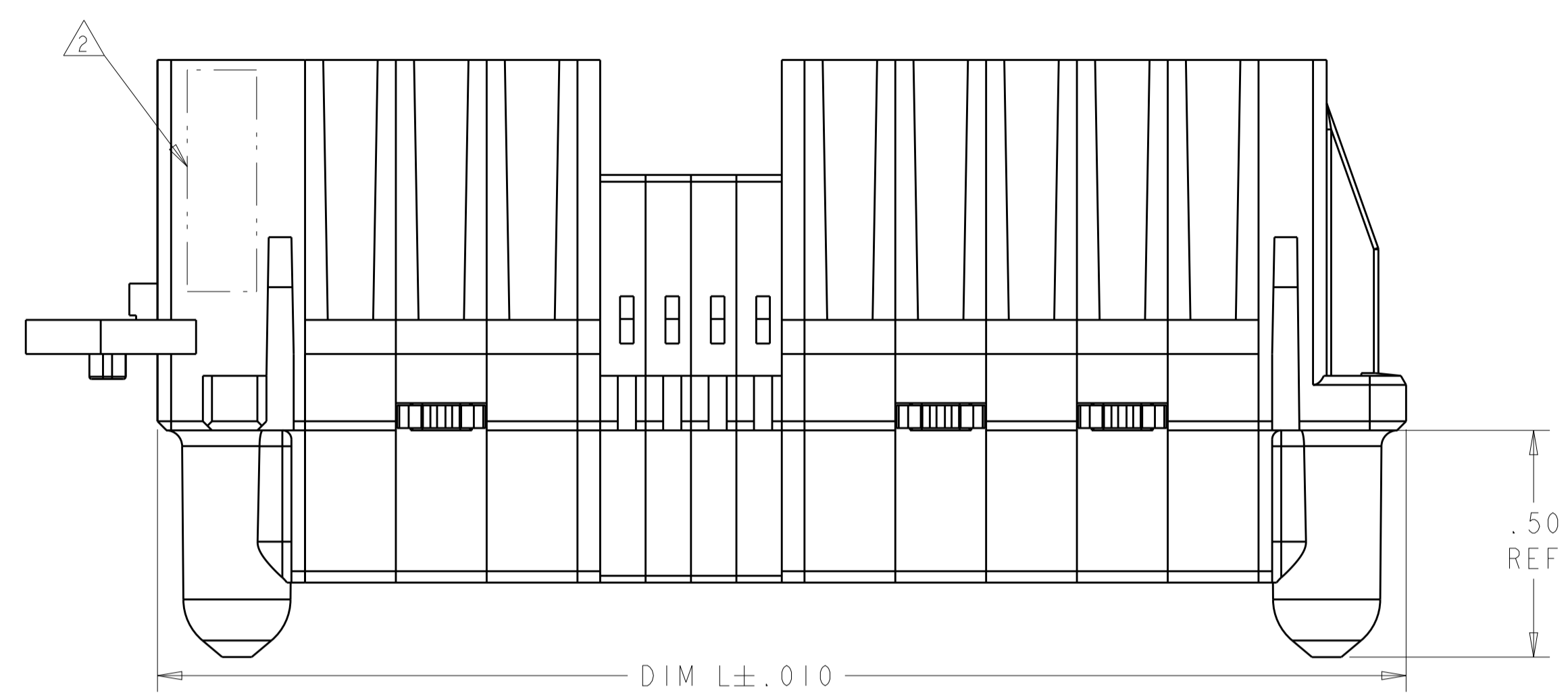


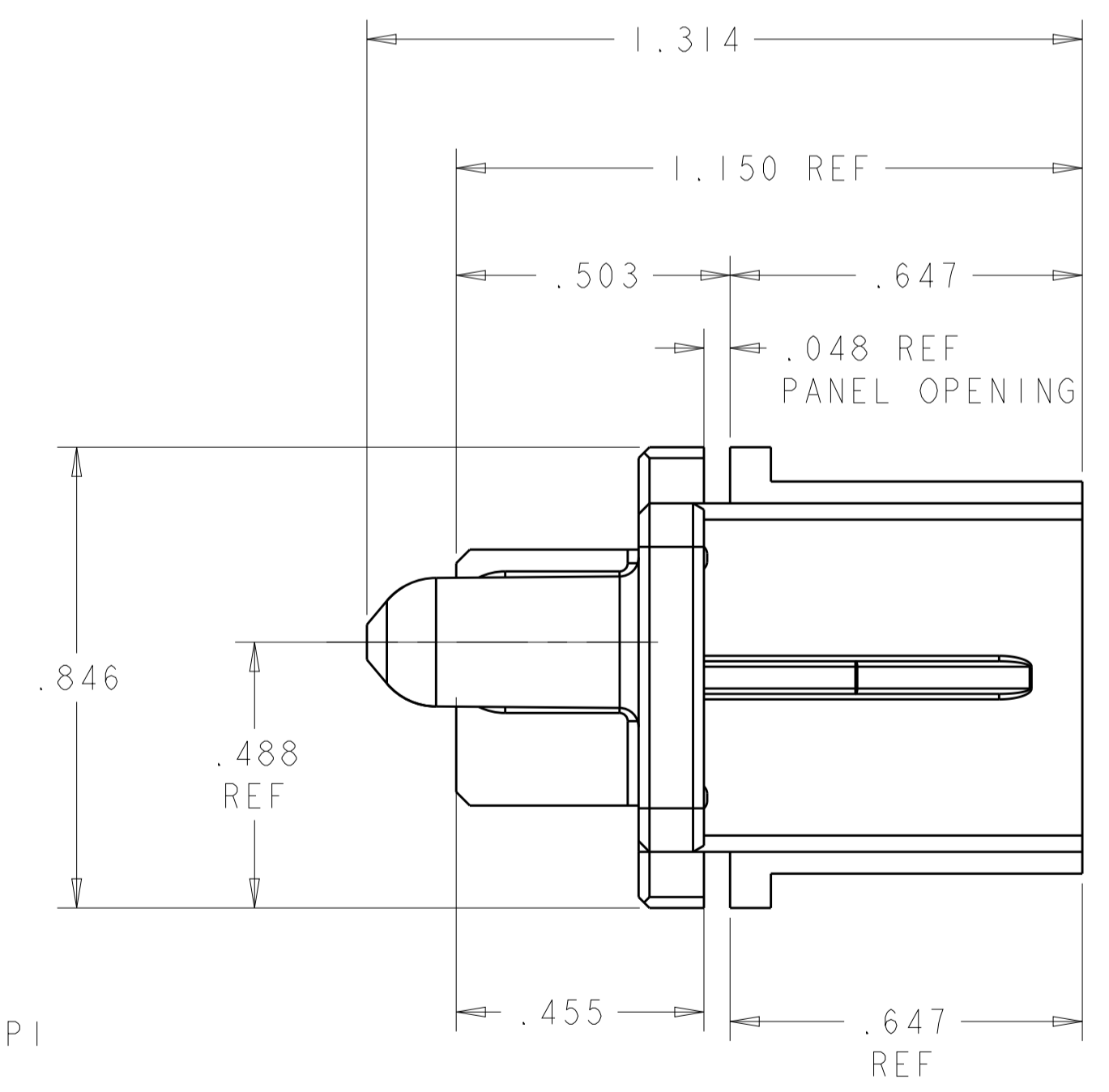
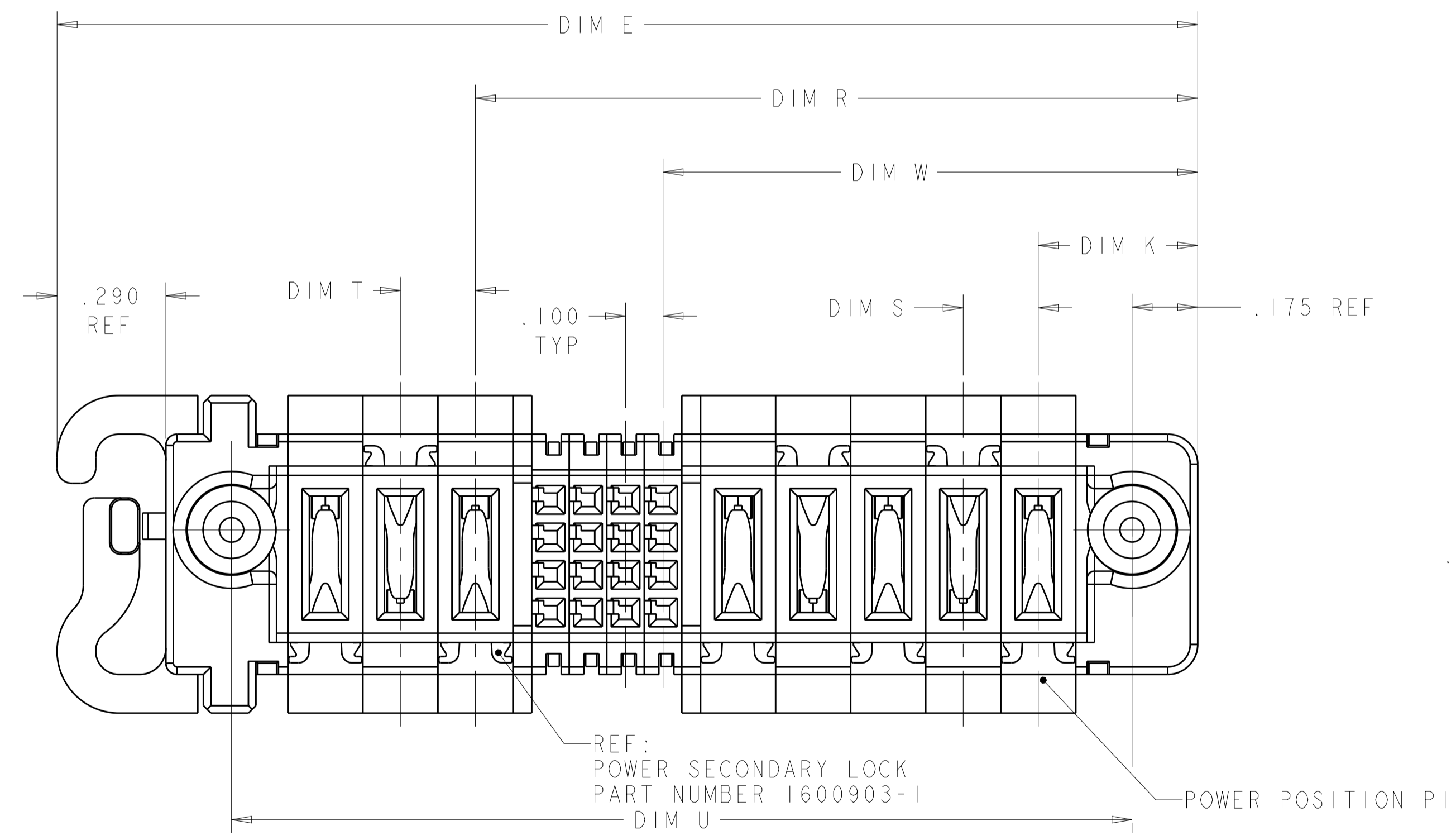
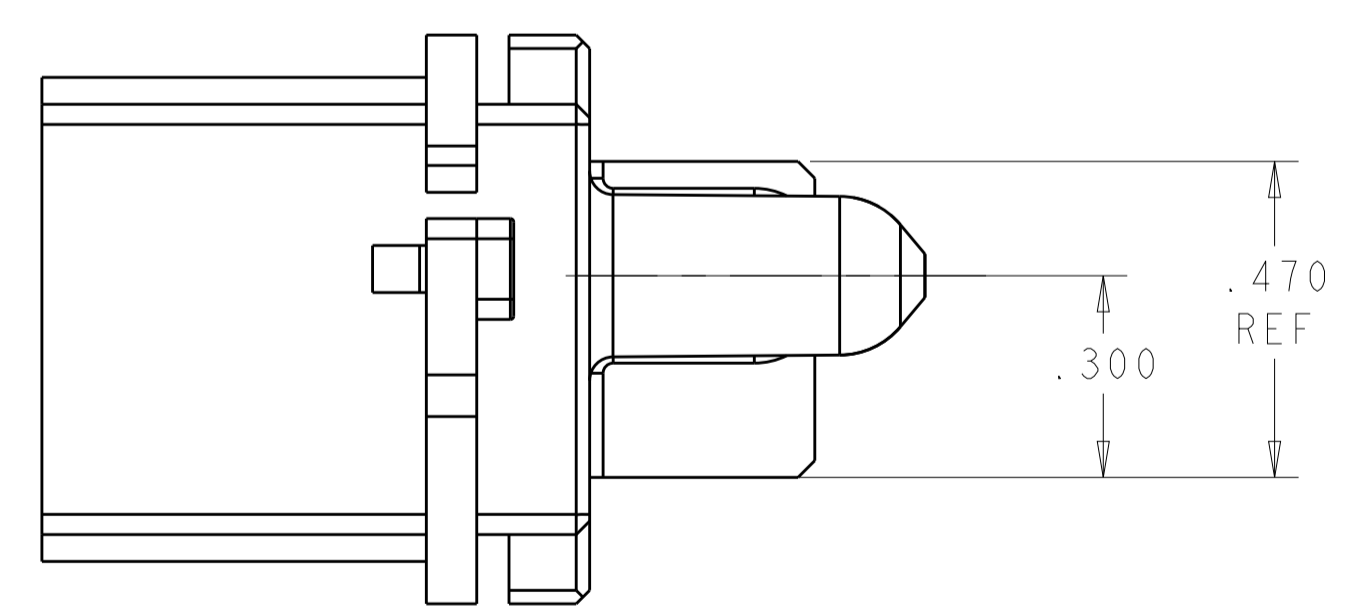
LOC	DIST	REVISIONS					
		P	LTN	DESCRIPTION	DATE	DWN	APVD
ES	00						
		E2		ADDED NEW DASH NUMBER 3-2	05FEB2016	CZ	SZ
		E3		ADDED NEW DASH NUMBER 3-3	30MAY2016	CZ	SZ
		E4		ADDED NEW DASH NUMBER 3-4	12AUG2016	CZ	SZ



SCALE 2:1



- 1 MATERIAL: THERMO PLASTIC, UL94 V-0.
- 2 COMPANY TRADEMARK, PART NUMBER, AND DATE CODE TO BE MARKED IN AREA SHOWN.
- 3 PANEL THICKNESS = .040±.005
- 4 CONNECTOR KEEP OUT ZONE.
- 5. POWER CONTACT REFERENCE:
 PART NUMBER: 1600960
 MATERIAL: COPPER ALLOY
 FINISH (INTERFACE): .0000030 NOBEL METAL OVER .0000050 Ni
- 6 VARIABLE DIMENSIONS PLEASE REFER TO TABLE.



THIS DRAWING IS A CONTROLLED DOCUMENT.		DWN C. ZHOU 18DEC2006	TE Connectivity
DIMENSIONS: INCHES		CHK S. ZHAO 14SEP2007	
TOLERANCES UNLESS OTHERWISE SPECIFIED:		APVD S. YAO	NAME SLIDE TO LOCK PANEL MOUNT CABLE RECEPTACLE HOUSING WITH GUIDES MULTI-BEAM XL
0 PLC ±	1 PLC ±.01	PRODUCT SPEC 108-2157	SIZE A100779C=292498
2 PLC ±.005	3 PLC ±.005	APPLICATION SPEC 114-13112	RESTRICTED TO
4 PLC ±.0020	ANGLES ±.020	WEIGHT	Customer Drawing
MATERIAL		FINISH	SCALE 7:2 SHEET 1 OF 6 REV E4

THIS DRAWING IS UNPUBLISHED. RELEASED FOR PUBLICATION 20
 © COPYRIGHT 20 BY - ALL RIGHTS RESERVED.

LOC		DIST		REVISIONS			
P	LTN	DESCRIPTION	DATE	DMN	APVD		
-		SEE SHEET 1	-	-	-		

2.340	.250	.250	1.700	1.350	.875	2.050	.450	2P+ 16S + 2P	3-292498-4
1.740	-	.250	1.100	-	.875	1.450	.450	2P(12AWG) + 12S	3-292498-3
1.740	-	-	1.100	1.000	.625	1.450	.450	1HDP + 12S + 1HDP	3-292498-2
1.365	-	-	.725	-	.400	1.075	-	16S	3-292498-1
2.415	.250	-	1.775	.925	.425	2.125	-	0P + 16S + 4P	3-292498-0
2.315	.250	-	1.675	.825	.425	2.025	-	0P + 12S + 4P	2-292498-9
2.290	-	.300	1.650	-	1.325	2.000	.475	3ACP + 16S	2-292498-8
2.165	-	-	1.525	-	.400	1.875	-	48S	2-292498-7
2.565	-	-	1.925	-	.400	2.275	-	64S	2-292498-6
2.540	.200	.200	1.900	1.550	.875	2.250	.450	2P + 24S + 2P	2-292498-5
1.765	-	-	1.125	-	.400	1.475	-	32S	2-292498-4
1.140	-	-	.500	-	.375	.850	-	8S	2-292498-3
1.240	-	-	.600	-	.375	.950	-	12S	2-292498-2
2.740	-	-	2.100	-	.375	2.450	-	72S	2-292498-1
2.365	-	.375	1.725	-	1.500	2.075	.425	3P + 12S	2-292498-0
1.040	-	-	.400	-	.375	.750	-	4S	1-292498-8
2.840	.300	.300	2.200	1.775	1.025	2.550	.475	2ACP + 24S + 2ACP	1-292498-7
2.215	-	-	1.575	1.425	.700	1.925	.475	1P + 24S + 1P	1-292498-5
3.965	-	-	3.325	-	.400	3.675	-	120S	1-292498-4
3.440	.200	.200	2.800	2.525	2.025	3.150	.425	8P + 16S + 2P	1-292498-3
1.240	-	-	.600	-	.425	.950	-	8S	1-292498-2
2.740	.250	.250	2.100	1.500	1.175	2.450	.450	3P + 8S + 3P	1-292498-1
1.740	-	-	1.100	1.000	.675	1.450	.450	1P + 8S + 1P	1-292498-0
2.140	-	-	1.500	1.400	.675	1.850	.450	1P + 24S + 1P	292498-9
3.465	-	△	2.825	-	2.300	3.175	.475	3ACP + 4P + 24S	292498-8
2.240	.250	.250	1.600	1.250	.925	1.950	.450	2P + 8S + 2P	292498-7
3.240	.200	.200	2.600	1.925	1.225	2.950	.425	4HDP + 24S + 4HDP	292498-6
2.640	.250	.300	2.000	1.650	1.325	2.350	.475	3ACP + 8S + 2P	292498-5
1.940	-	-	1.300	1.200	.675	1.650	.450	1P + 16S + 1P	292498-4
3.240	.200	.200	2.600	2.525	2.025	2.950	.425	8P + 16S + 1P	292498-3
2.640	.250	.250	2.000	1.650	.925	2.350	.450	2P + 24S + 2P	292498-2
3.040	.200	.200	2.400	1.925	1.425	2.750	.425	5P + 16S + 3P	292498-1
DIM E REF	DIM T	DIM S	DIM U	DIM R	DIM W	DIM L	DIM K	DESCRIPTION	PART NUMBER

REFERENCE WIRE CHART AND CONTACTS		
HOUSING MODULE	CONTACT	INSULATION DIAMETER RANGE
.300 POWER	8 - 10 1600960 REF	[.176 - .272]
.250 POWER	8 - 10 1600960 REF	[.176 - .203]
	12 - 14 1600961 REF	[.156 - .176]
.200 POWER	12 - 14 1600961 REF	[.120 - .156]
.100 SIGNAL	22 - 26 5531216-3 REF	[.036 - .069]

THIS DRAWING IS A CONTROLLED DOCUMENT. DWG: C.ZHOU 18DEC2006
 CHK: S.ZHAO 14SEP2007

STE TE Connectivity

NAME: SLIDE TO LOCK PANEL MOUNT CABLE RECEPTACLE HOUSING WITH GUIDES MULTI-BEAM XL

PRODUCT SPEC: 108-2157
 APPLICATION SPEC: 114-13112

SIZE: A1 CAGE CODE: 292498 DRAWING NO: 100779

RESTRICTED TO: Customer Drawing SCALE: 4:1 SHEET 2 OF 6 REV: E4

DIMENSIONS: INCHES TOLERANCES UNLESS OTHERWISE SPECIFIED:
 0 PLC ±.01
 1 PLC ±.01
 2 PLC ±.01
 3 PLC ±.005
 4 PLC ±.002
 ANGLES ±.0020

MATERIAL: FINISH:

LOC	DIST	REVISIONS			
P	LTN	DESCRIPTION	DATE	DMN	APVD
-	-	SEE SHEET 1	-	-	-

PART NUMBER	ROWS	POWER			SIGNAL				POWER				
		P8	P7	P6	4	3	2	1	P5	P4	P3	P2	P1
292498-1	D	RA	RA	RA	E	E	E	E	RM	RM	RM	RM	RM
	C	RA	RA	RA	E	E	E	E	RM	RM	RM	RM	RM
	B	RA	RA	RA	E	E	E	E	RM	RM	RM	RM	RM
	A	RA	RA	RA	E	E	E	E	RM	RM	RM	RM	RM
5P + 16S + 3P													

PART NUMBER	ROWS	POWER		SIGNAL					POWER		
		P4	P3	6	5	4	3	2	1	P2	P1
292498-2	D	RM	RM	E	E	E	E	E	E	RA	RA
	C	RM	RM	E	E	E	E	E	E	RA	RA
	B	RM	RM	E	E	E	E	E	E	RA	RA
	A	RM	RM	E	E	E	E	E	E	RA	RA
2P + 24S + 2P											

PART NUMBER	ROWS	POWER	SIGNAL				POWER							
		P9	4	3	2	1	P8	P7	P6	P5	P4	P3	P2	P1
292498-3	D	RM	E	E	E	E	RA	RA	RA	RM	RM	RM	RM	RM
	C	RM	E	E	E	E	RA	RA	RA	RM	RM	RM	RM	RM
	B	RM	E	E	E	E	RA	RA	RA	RM	RM	RM	RM	RM
	A	RM	E	E	E	E	RA	RA	RA	RM	RM	RM	RM	RM
8P + 16S + 1P														

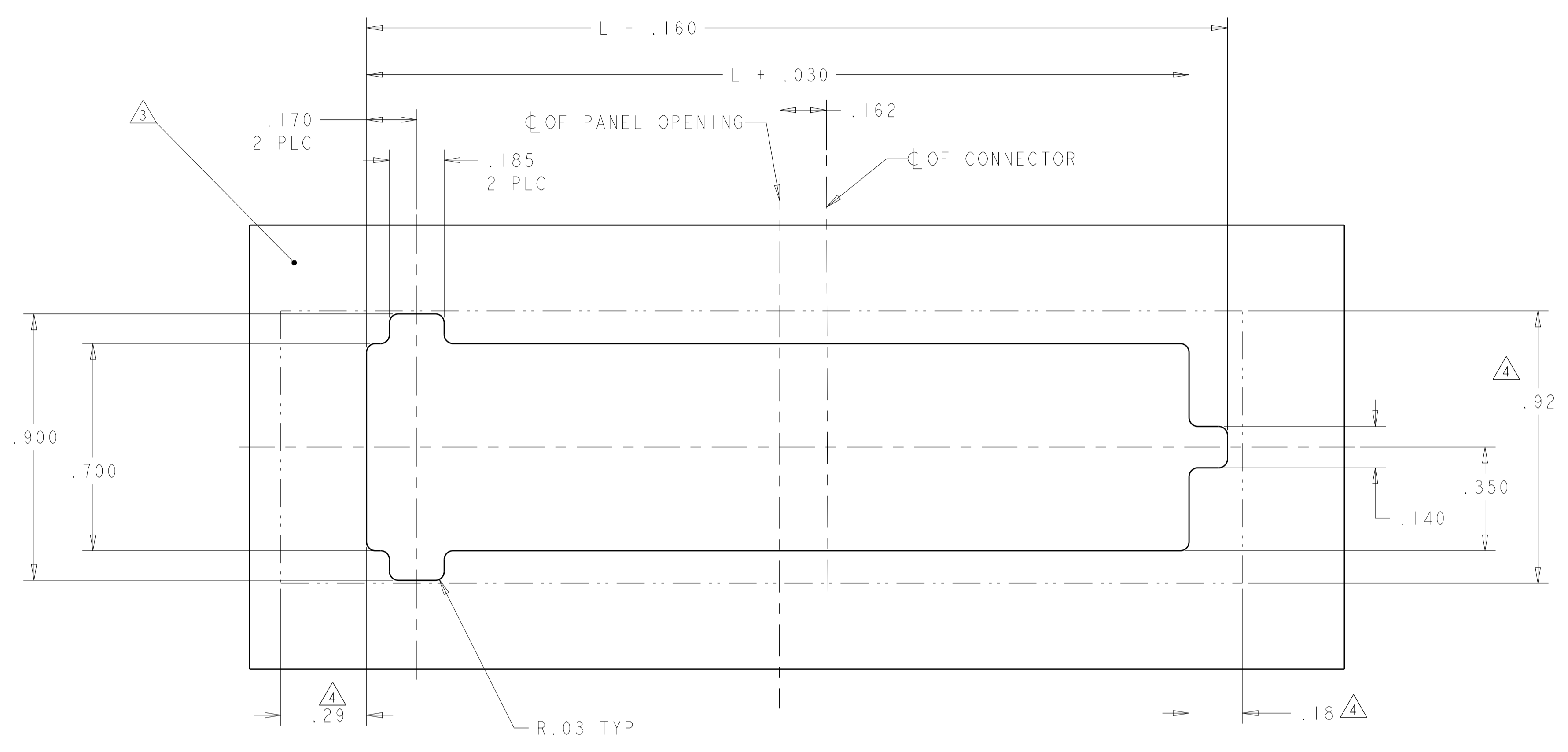
NO CONTACT LOADED

PART NUMBER	ROWS	POWER	SIGNAL			POWER	
		P2	4	3	2	1	P1
292498-4	D	RM	E	E	E	E	RM
	C	RM	E	E	E	E	RM
	B	RM	E	E	E	E	RM
	A	RM	E	E	E	E	RM
1P + 16S + 1P							

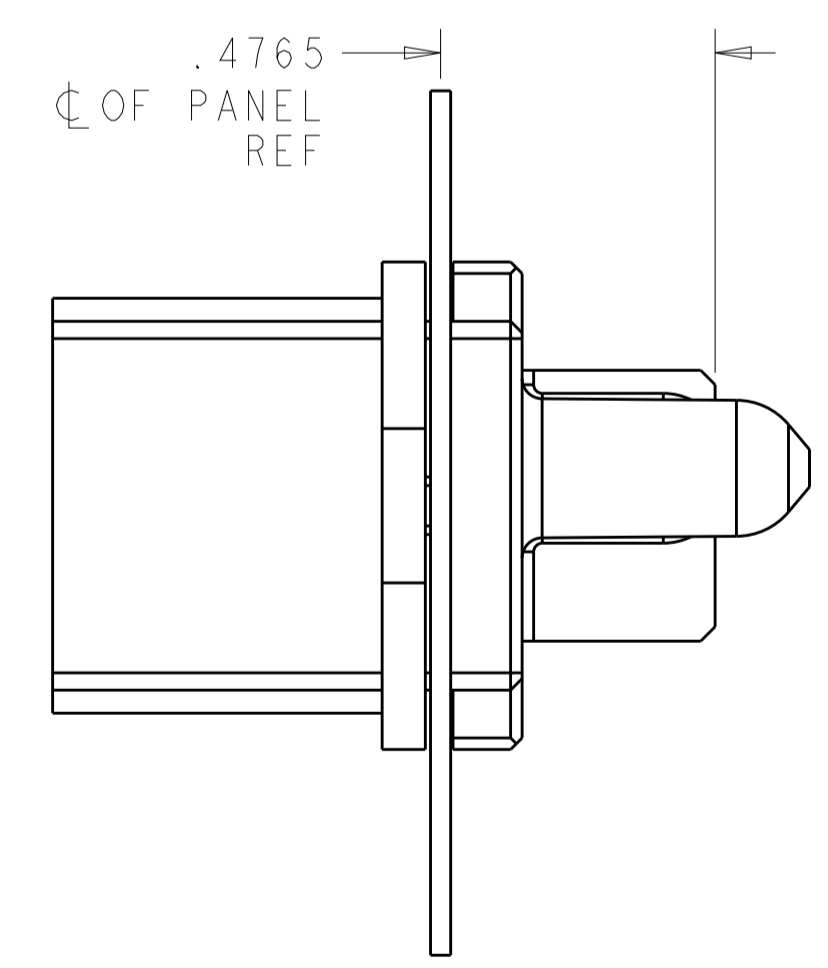
PART NUMBER	ROWS	POWER		SIGNAL		POWER		
		P5	P4	2	1	P3	P2	P1
292498-5	D	RM	RM	E	E	RA	RM	RM
	C	RM	RM	E	E	RA	RM	RM
	B	RM	RM	E	E	RA	RM	RM
	A	RM	RM	E	E	RA	RM	RM
3ACP + 8S + 2P								

PART NUMBER	ROWS	POWER		SIGNAL		POWER	
		P4	P3	2	1	P2	P1
292498-7	D	RM	RM	E	E	RM	RM
	C	RM	RM	E	E	RM	RM
	B	RM	RM	E	E	RM	RM
	A	RM	RM	E	E	RM	RM
2P + 8S + 2P							

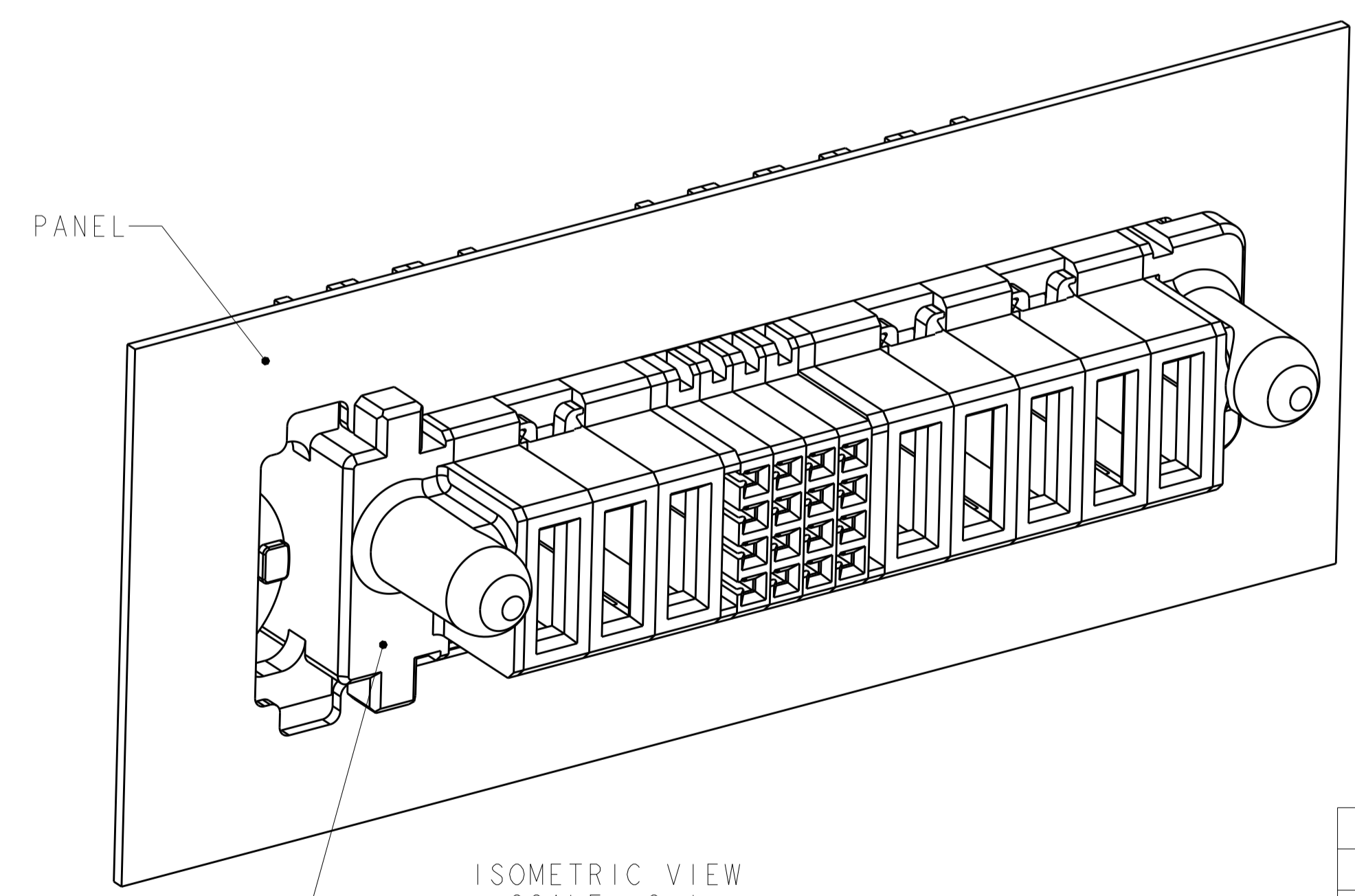
PART NUMBER	ROWS	POWER				SIGNAL					POWER				
		P8	P7	P6	P5	6	5	4	3	2	1	P4	P3	P2	P1
292498-6	D	RM	RM	RM	RM	E	E	E	E	E	E	RM	RM	RM	RM
	C	RM	RM	RM	RM	E	E	E	E	E	E	RM	RM	RM	RM
	B	RM	RM	RM	RM	E	E	E	E	E	E	RM	RM	RM	RM
	A	RM	RM	RM	RM	E	E	E	E	E	E	RM	RM	RM	RM
4HDP + 24S + 4HDP															



PANEL LAYOUT



SIDE VIEW CONNECTOR IN PANEL SCALE 3:1



ISOMETRIC VIEW SCALE 3:1

CODE	DESCRIPTION
E	SIGNAL CONTACT
RM	STANDARD POWER CONTACT
RA	MFBL POWER CONTACT
CODE	DESCRIPTION

CONTACT TABLE

THIS DRAWING IS A CONTROLLED DOCUMENT.

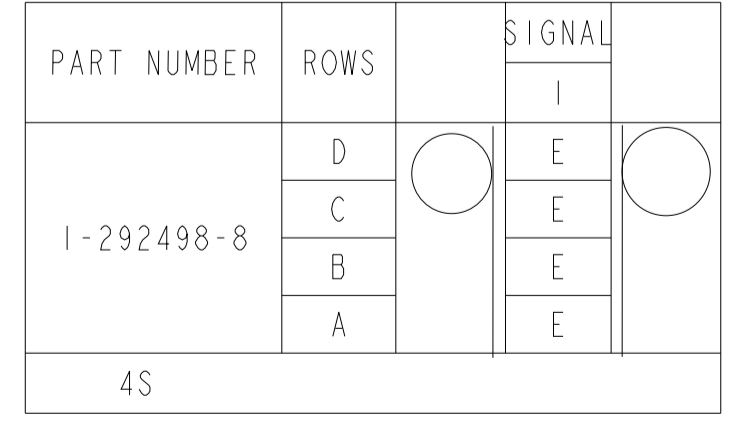
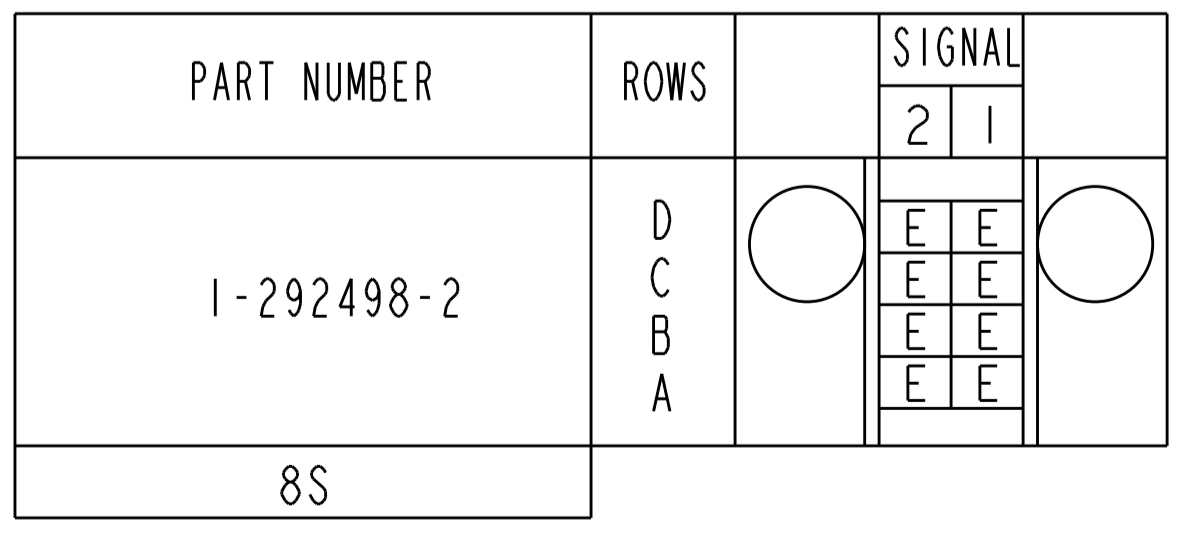
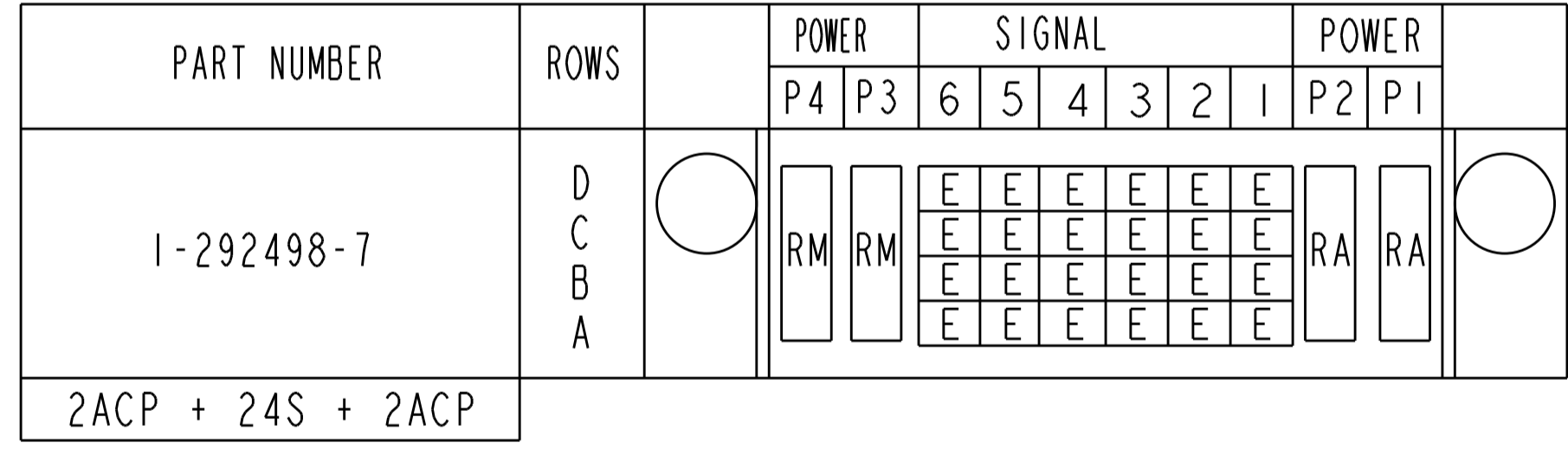
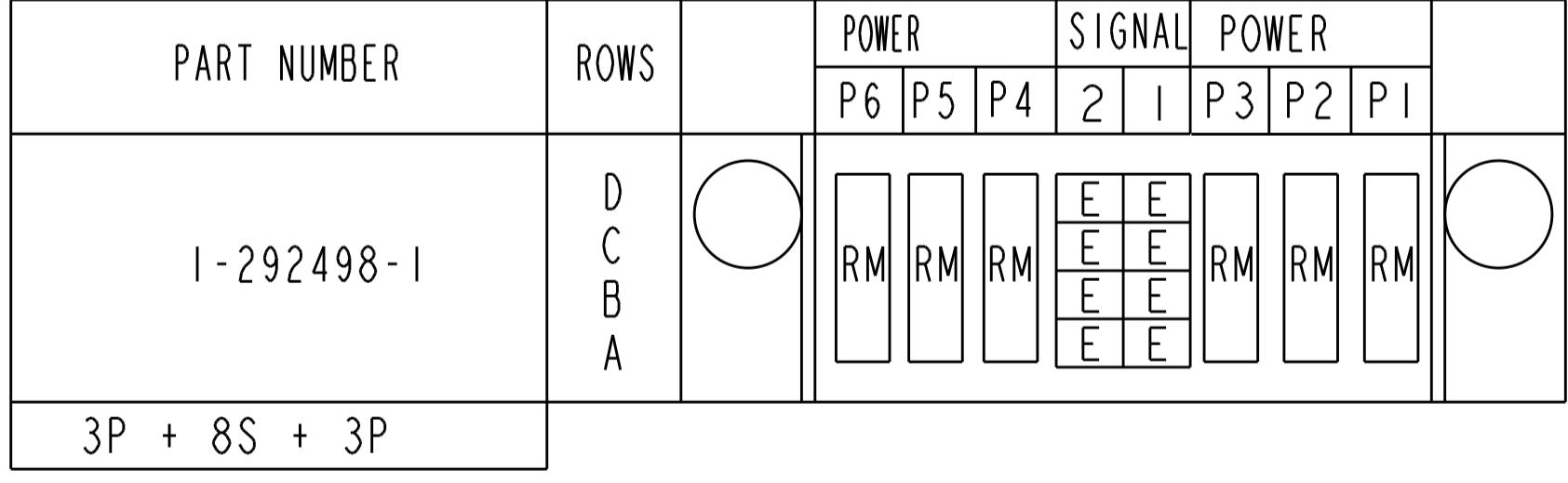
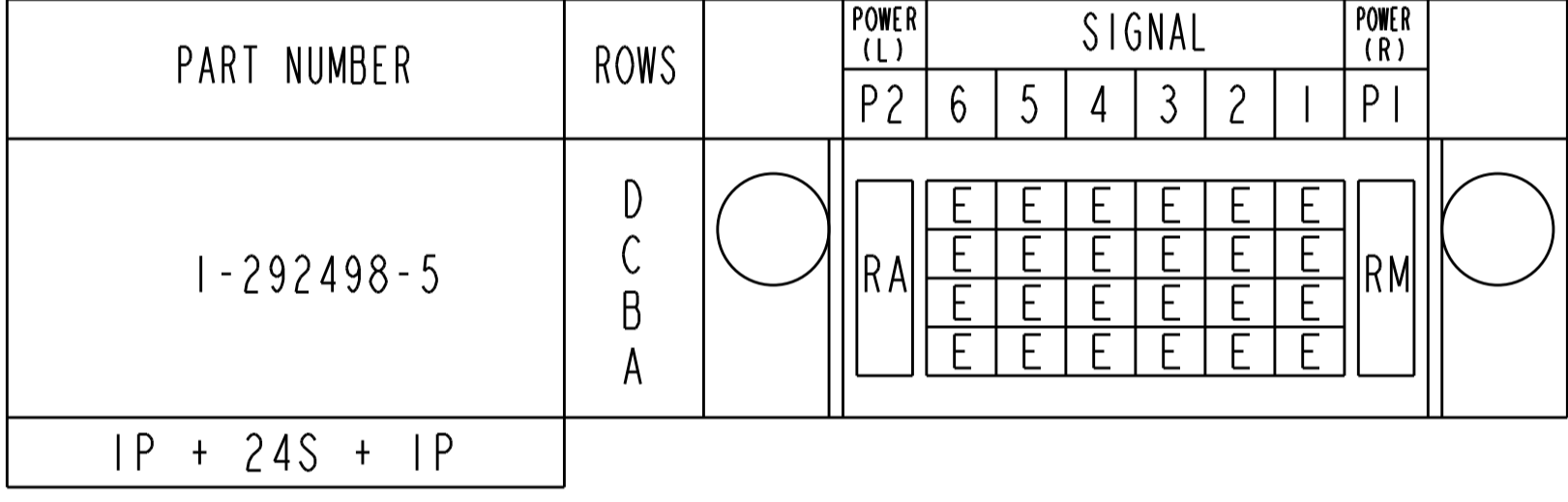
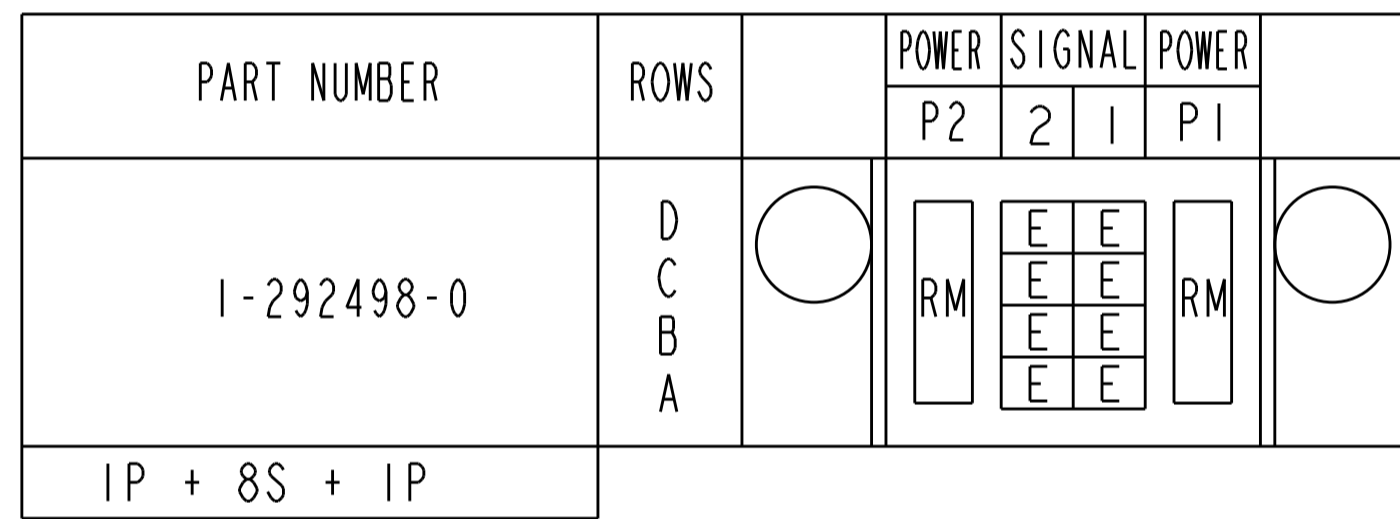
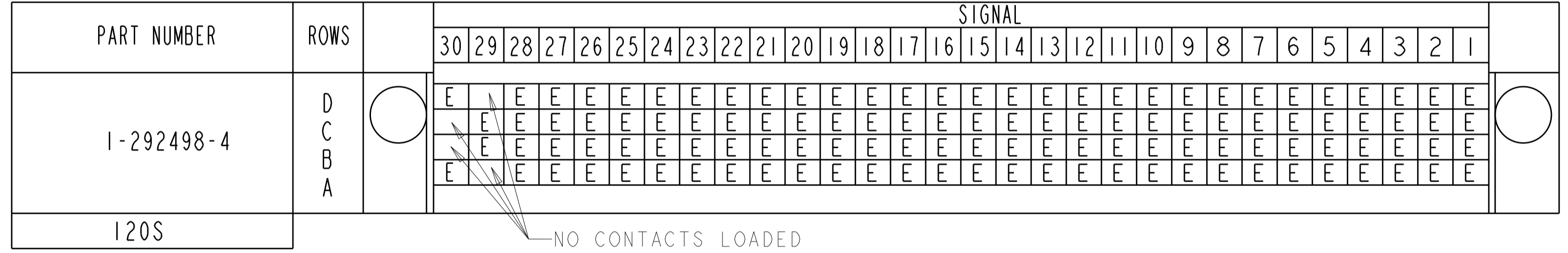
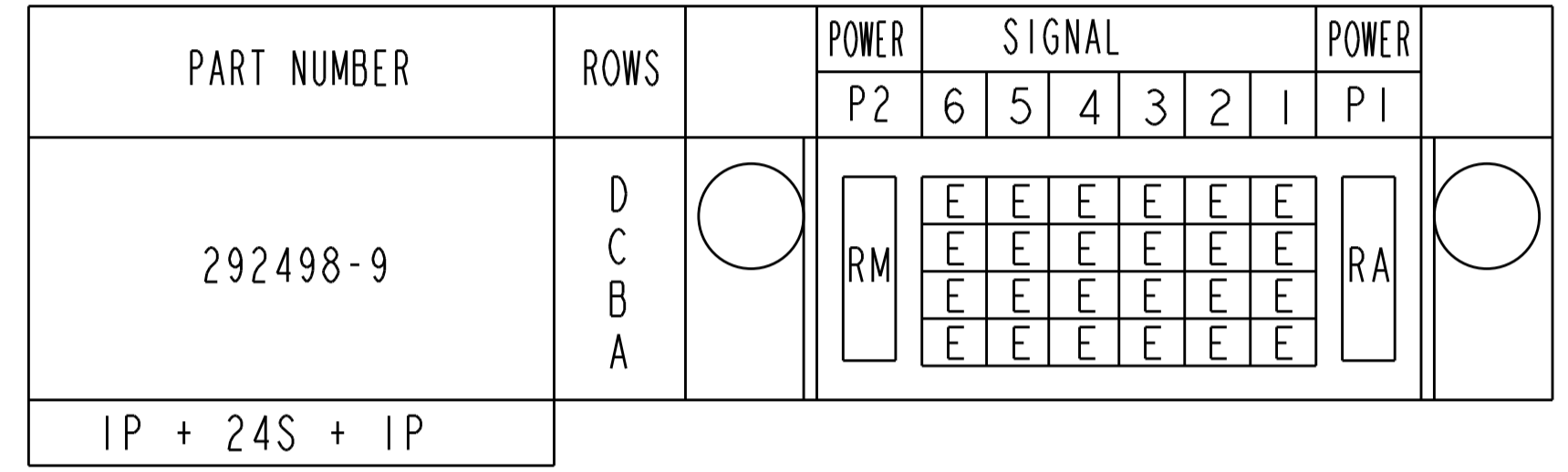
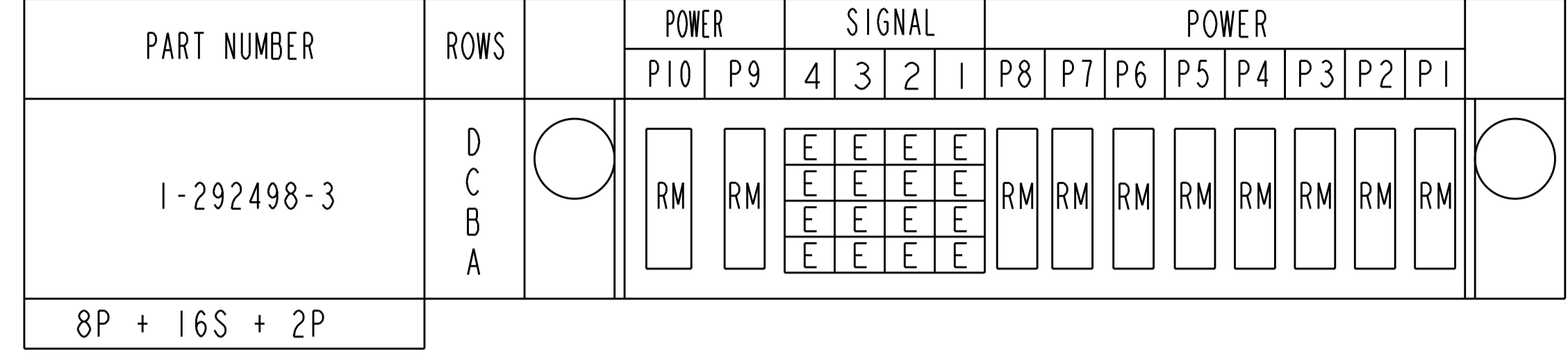
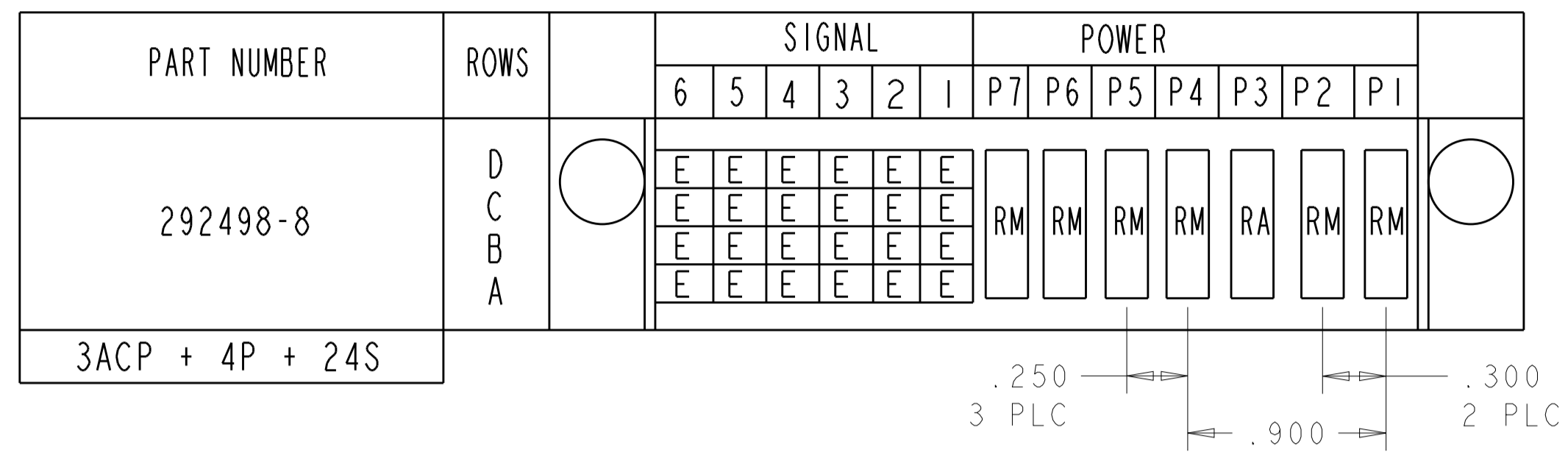
DIMENSIONS: INCHES	TOLERANCES UNLESS OTHERWISE SPECIFIED:	DMN: C. ZHOU 18DEC2006	CHK: S. ZHAO 14SEP2007
0 PLC ±.01	1 PLC ±.01	APVD: S. YAO	NAME: S. YAO
2 PLC ±.01	3 PLC ±.005	PRODUCT SPEC: 108-2157	APPLICATION SPEC: 114-13112
4 PLC ±.0020	ANGLES ±.020	WEIGHT: -	RESTRICTED TO: -
MATERIAL: -	FINISH: -	Customer Drawing	SCALE: 4:1 SHEET 3 OF 6 REV: E4

STE TE Connectivity

SLIDE TO LOCK PANEL MOUNT CABLE RECEPTACLE HOUSING WITH GUIDES MULTI-BEAM XL

SIZE: A1 00779 C=292498

LOC	DIST	REVISIONS			
P	LTN	DESCRIPTION	DATE	DWN	APVD
-	-	SEE SHEET 1	-	-	-



THIS DRAWING IS A CONTROLLED DOCUMENT.		DWN: C.ZHOU 18DEC2006	STE TE Connectivity
DIMENSIONS: INCHES		CHK: S.ZHAO 14SEP2007	
TOLERANCES UNLESS OTHERWISE SPECIFIED:		APVD: S.YAO	NAME: SLIDE TO LOCK PANEL MOUNT CABLE RECEPTACLE HOUSING WITH GUIDES MULTI-BEAM XL
0 PLC ±.01		PRODUCT SPEC: 108-2157	SIZE: CAGE CODE DRAWING NO: A100779C=292498
1 PLC ±.01		APPLICATION SPEC:	RESTRICTED TO: -
2 PLC ±.005		WEIGHT: 114-13112	SCALE: 4:1 SHEET 4 OF 6 REV: E4
3 PLC ±.002		Customer Drawing	
ANGLES ±.020			
FINISH: *			

LOC	DIST	REVISIONS			
P	LTN	DESCRIPTION	DATE	DNW	APVD
-	-	SEE SHEET 1	-	-	-

PART NUMBER	ROWS	SIGNAL			POWER		
		3	2	1	3	2	1
2-292498-0	D	E	E	E	RM	RM	RM
	C	E	E	E			
	B	E	E	E			
	A	E	E	E			
3P + 12S							

PART NUMBER	ROWS	POWER		SIGNAL							POWER		
		P4	P3	6	5	4	3	2	1	P2	P1		
2-292498-5	D	RM	RM	E	E	E	E	E	E	E	E	RM	RM
	C			E	E	E	E	E	E	E			
	B			E	E	E	E	E	E	E			
	A			E	E	E	E	E	E	E			
2P + 24S + 2P													

PART NUMBER	ROWS	SIGNAL																		
		18	17	16	15	14	13	12	11	10	9	8	7	6	5	4	3	2	1	
2-292498-1	D	E	E	E	E	E	E	E	E	E	E	E	E	E	E	E	E	E	E	
	C	E	E	E	E	E	E	E	E	E	E	E	E	E	E	E	E	E	E	
	B	E	E	E	E	E	E	E	E	E	E	E	E	E	E	E	E	E	E	
	A	E	E	E	E	E	E	E	E	E	E	E	E	E	E	E	E	E	E	
72S																				

PART NUMBER	ROWS	SIGNAL															
		16	15	14	13	12	11	10	9	8	7	6	5	4	3	2	1
2-292498-6	D	E	E	E	E	E	E	E	E	E	E	E	E	E	E	E	E
	C	E	E	E	E	E	E	E	E	E	E	E	E	E	E	E	E
	B	E	E	E	E	E	E	E	E	E	E	E	E	E	E	E	E
	A	E	E	E	E	E	E	E	E	E	E	E	E	E	E	E	E
64S																	

PART NUMBER	ROWS	SIGNAL		
		3	2	1
2-292498-2	D	E	E	E
	C	E	E	E
	B	E	E	E
	A	E	E	E
12S				

PART NUMBER	ROWS	SIGNAL											
		12	11	10	9	8	7	6	5	4	3	2	1
2-292498-7	D	E	E	E	E	E	E	E	E	E	E	E	E
	C	E	E	E	E	E	E	E	E	E	E	E	E
	B	E	E	E	E	E	E	E	E	E	E	E	E
	A	E	E	E	E	E	E	E	E	E	E	E	E
48S													

PART NUMBER	ROWS	SIGNAL	
		2	1
2-292498-3	D	E	E
	C	E	E
	B	E	E
	A	E	E
8S			

PART NUMBER	ROWS	SIGNAL				POWER		
		4	3	2	1	P3	P2	P1
2-292498-8	D	E	E	E	E	RM	RA	RM
	C	E	E	E	E			
	B	E	E	E	E			
	A	E	E	E	E			
3ACP + 16S								

PART NUMBER	ROWS	SIGNAL							
		8	7	6	5	4	3	2	1
2-292498-4	D	E	E	E	E	E	E	E	E
	C	E	E	E	E	E	E	E	E
	B	E	E	E	E	E	E	E	E
	A	E	E	E	E	E	E	E	E
32S									

PART NUMBER	ROWS	POWER				SIGNAL			
		P4	P3	P2	P1	4	3	2	1
3-292498-0	D	RM	RM	RM	RM	E	E	E	E
	C					E	E	E	E
	B					E	E	E	E
	A					E	E	E	E
0P + 16S + 4P									

PART NUMBER	ROWS	POWER				SIGNAL		
		P4	P3	P2	P1	3	2	1
2-292498-9	D	RM	RM	RM	RM	E	E	E
	C					E	E	E
	B					E	E	E
	A					E	E	E
0P + 12S + 4P								

PART NUMBER	ROWS	SIGNAL			
		4	3	2	1
3-292498-1	D	E	E	E	E
	C	E	E	E	E
	B	E	E	E	E
	A	E	E	E	E
16S					

THIS DRAWING IS A CONTROLLED DOCUMENT.

DIMENSIONS: INCHES	TOLERANCES UNLESS OTHERWISE SPECIFIED: 0 PLC ±. 1 PLC ±.01 2 PLC ±.01 3 PLC ±.005 4 PLC ±.0020 ANGLES ±.2°	DNW C. ZHOU 18DEC2006 CHK S. ZHAO 14SEP2007 APVD S. YAO	NAME SLIDE TO LOCK PANEL MOUNT CABLE RECEPTACLE HOUSING WITH GUIDES MULTI-BEAM XL
MATERIAL	FINISH	PRODUCT SPEC 108-2157 APPLICATION SPEC 114-13112 WEIGHT	SIZE CAGE CODE DRAWING NO. RESTRICTED TO A100779C=292498
Customer Drawing		SCALE 4:1	SHEET 5 OF 6 REV E4

4805 (3/11)


THIS DRAWING IS UNPUBLISHED. RELEASED FOR PUBLICATION 20
 © COPYRIGHT 20 BY - ALL RIGHTS RESERVED.

LOC		DIST		REVISIONS			
P	LTN	DESCRIPTION	DATE	DMN	APVD		
-		SEE SHEET 1	-	-	-		

PART NUMBER	ROWS		POWER		SIGNAL			POWER	
			P2		3	2	1	P1	
3-292498-2	D	○	RM		E	E	E	RM	
	C				E	E	E		
	B				E	E	E		
	A				E	E	E		
IP + 12S + IP									

PART NUMBER	ROWS		SIGNAL			POWER	
			3	2	1	2	1
3-292498-3	D	○	E	E	E	RA	RM
	C		E	E	E		
	B		E	E	E		
	A		E	E	E		
2P + 12S							

PART NUMBER	ROWS		POWER		SIGNAL				POWER		
			4	3	4	3	2	1	2	1	
3-292498-4	D		RM	RM	E	E	E	E	RM	RM	
	C				E	E	E	E			
	B				E	E	E	E			
	A				E	E	E	E			
2P + 16S + 2P											

THIS DRAWING IS A CONTROLLED DOCUMENT.		DMN C. ZHOU 18DEC2006	 TE Connectivity
DIMENSIONS: INCHES		CHK S. ZHAO 14SEP2007	
TOLERANCES UNLESS OTHERWISE SPECIFIED:		APVD S. YAO	NAME SLIDE TO LOCK PANEL MOUNT CABLE RECEPTACLE HOUSING WITH GUIDES MULTI-BEAM XL
0 PLC ±-		PRODUCT SPEC	
1 PLC ±.01		108-2157	
2 PLC ±.01		APPLICATION SPEC	
3 PLC ±.005		114-13112	
4 PLC ±.0020		SIZE	A100779C=292498
ANGLES ±.2°		WEIGHT	-
FINISH		Customer Drawing	RESTRICTED TO
MATERIAL			
		SCALE 4:1	SHEET 6 OF 6
			REV E4



Компания «ЭлектроПласт» предлагает заключение долгосрочных отношений при поставках импортных электронных компонентов на взаимовыгодных условиях!

Наши преимущества:

- Оперативные поставки широкого спектра электронных компонентов отечественного и импортного производства напрямую от производителей и с крупнейших мировых складов;
- Поставка более 17-ти миллионов наименований электронных компонентов;
- Поставка сложных, дефицитных, либо снятых с производства позиций;
- Оперативные сроки поставки под заказ (от 5 рабочих дней);
- Экспресс доставка в любую точку России;
- Техническая поддержка проекта, помощь в подборе аналогов, поставка прототипов;
- Система менеджмента качества сертифицирована по Международному стандарту ISO 9001;
- Лицензия ФСБ на осуществление работ с использованием сведений, составляющих государственную тайну;
- Поставка специализированных компонентов (Xilinx, Altera, Analog Devices, Intersil, Interpoint, Microsemi, Aeroflex, Peregrine, Syfer, Eurofarad, Texas Instrument, Miteq, Cobham, E2V, MA-COM, Hittite, Mini-Circuits, General Dynamics и др.);

Помимо этого, одним из направлений компании «ЭлектроПласт» является направление «Источники питания». Мы предлагаем Вам помощь Конструкторского отдела:

- Подбор оптимального решения, техническое обоснование при выборе компонента;
- Подбор аналогов;
- Консультации по применению компонента;
- Поставка образцов и прототипов;
- Техническая поддержка проекта;
- Защита от снятия компонента с производства.



Как с нами связаться

Телефон: 8 (812) 309 58 32 (многоканальный)

Факс: 8 (812) 320-02-42

Электронная почта: org@eplast1.ru

Адрес: 198099, г. Санкт-Петербург, ул. Калинина, дом 2, корпус 4, литера А.