

High Speed Quad MOSFET Driver

Features

- ▶ 6ns rise and fall time with 1000pF load
- ▶ 2A peak output source/sink current
- ▶ 1.2V to 5V input CMOS compatible
- ▶ 5V to 12V total supply voltage
- ▶ Smart Logic threshold
- ▶ Low jitter design
- ▶ Four matched channels
- ▶ Outputs can swing below ground
- ▶ Output is high impedance when disabled
- ▶ Low inductance package
- ▶ High-performance thermally-enhanced

Applications

- ▶ Medical ultrasound imaging
- ▶ Piezoelectric transducer drivers
- ▶ Nondestructive evaluation
- ▶ PIN diode driver
- ▶ CCD Clock driver/buffer
- ▶ High speed level translator

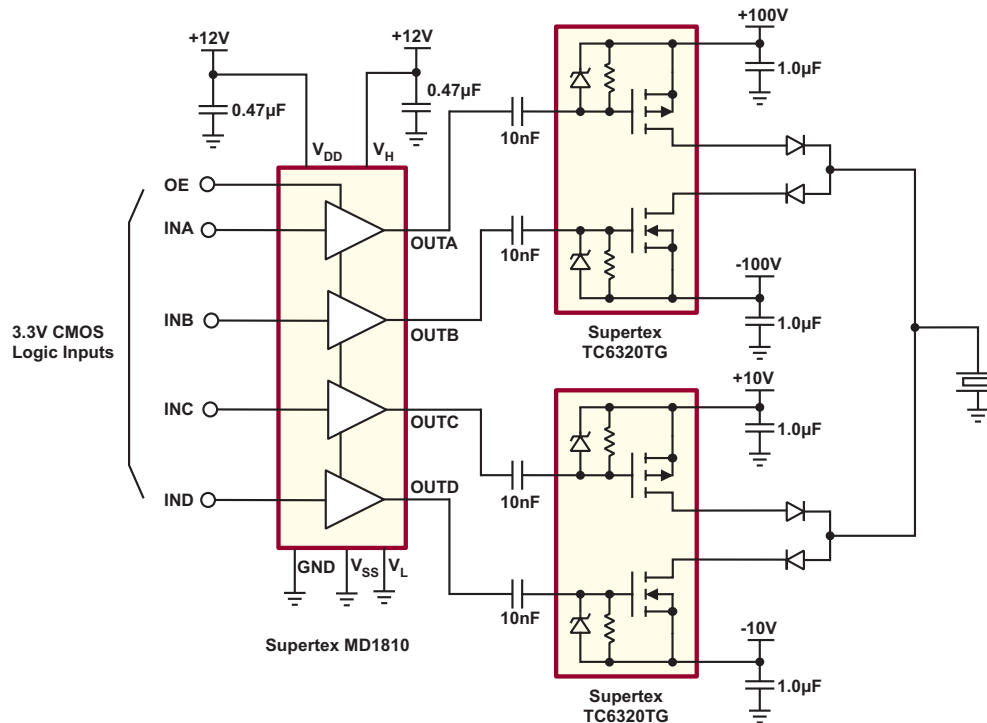
General Description

The Supertex MD1810 is a high-speed quad MOSFET driver. It is designed to drive high voltage P- and N-channel MOSFETs for medical ultrasound imaging applications. The MD1810 can also be used for ultrasound metal flaw detection, nondestructive evaluation test, piezoelectric transducer drive, clock drive, and PIN diode drive.

The MD1810 has four inputs which individually control four outputs. It also has an output enable (OE) pin. When OE is low, all of the outputs will be in a high impedance state regardless of their logic input control. When OE is high, the MD1810 sets the threshold logic transition to $(V_{OE} + V_{GND})/2$. This ensures the transition to always be at half the amplitude of the logic input signal. This allows the device to have inherent propagation delay matching regardless of the logic input amplitude.

The output stage of the MD1810 has separate power connections enabling the output signal L and H levels to be chosen independently from the V_{DD} and V_{SS} supply voltages. As an example, the input logic levels may be 0 and 1.8 volts, the control logic may be powered by +5 and -5 volts, and the output L and H levels may be varied anywhere over the range of -5 to +5 volts. The output stage is capable of peak currents of up to ± 2 amps, depending on the supply voltages used and load capacitance present.

Typical Application Circuit



Ordering Information

DEVICE	Package Options
	16-Lead QFN 4x4mm body, 1.0mm height (max), 0.65mm pitch
MD1810	MD1810K6-G
θ_{JA}	45°C/W (1oz. 4-layer 3x4inch PCB)

-G indicates package is RoHS compliant ('Green')

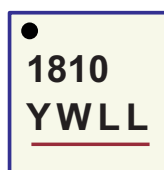


Absolute Maximum Ratings

Parameter	Value
$V_{DD}-V_{SS}$, logic supply voltage	-0.5V to +13.5V
V_H , Output high supply voltage	$V_L-0.5V$ to $V_{DD}+0.5V$
V_L , Output low supply voltage	$V_{SS}-0.5V$ to $V_H+0.5V$
V_{SS} , Low side supply voltage	-7V to +0.5V
Logic input levels	$V_{SS}-0.5V$ to $V_{SS}+7V$
Maximum junction temperature	+125°C
Storage temperature	-65°C to 150°C
Soldering temperature	235°C
Package power dissipation	2.2W

Absolute Maximum Ratings are those values beyond which damage to the device may occur. Functional operation under these conditions is not implied. Continuous operation of the device at the absolute rating level may affect device reliability. All voltages are referenced to device ground.

Product Marking



Y = Last Digit of Year Sealed
W = Code for Week Sealed
L = Lot Number
— = "Green" Packaging

16-Lead QFN Package

DC Electrical Characteristics ($V_H = V_{DD} = 12V$, $V_L = V_{SS} = GND = 0V$, $V_{OE} = 3.3V$, $T_J = 25^\circ C$)

Sym.	Parameter	Min.	Typ.	Max.	Units	Conditions
$V_{DD}-V_{SS}$	Logic supply voltage	4.5	-	13	V	---
V_{SS}	Low side supply voltage	-5.5	-	0	V	---
V_H	Output high supply voltage	$V_{SS}+2$	-	V_{DD}	V	---
V_L	Output low supply voltage	V_{SS}	-	$V_{DD}-2$	V	---
I_{DDQ}	V_{DD} quiescent current	-	0.8	-	mA	No input transitions, OE = 1
I_{HQ}	V_H quiescent current	-	-	10	μA	
I_{DD}	V_{DD} average current	-	7.0	-	mA	One channel on at 5.0Mhz, No load
I_H	V_H average current	-	18	-	mA	
V_{IH}	Input logic voltage high	$V_{OE}-0.3$	-	5.0	V	For logic inputs INA, INB, INC, and IND
V_{IL}	Input logic voltage low	0	-	0.3	V	
I_{IH}	Input logic current high	-	-	1.0	μA	
I_{IL}	Input logic current low	-	-	1.0	μA	For logic input OE
V_{IH}	OE Input logic voltage high	1.2	-	5	V	
V_{IL}	OE Input logic voltage low	0	-	0.3	V	
R_{IN}	Input logic impedance to GND	12	20	30	K Ω	---
C_{IN}	Logic input capacitance	-	5.0	10	pF	---

Outputs ($V_H = V_{DD} = 12V$, $V_L = V_{SS} = GND = 0V$, $V_{OE} = 3.3V$, $T_J = 25^\circ C$)

Sym.	Parameter	Min.	Typ.	Max.	Units	Conditions
R_{SINK}	Output sink resistance	-	-	12.5	Ω	$I_{SINK} = 50mA$
R_{SOURCE}	Output source resistance	-	-	12.5	Ω	$I_{SOURCE} = 50mA$
I_{SINK}	Peak output sink current	-	2.0	-	A	---
I_{SOURCE}	Peak output source current	-	2.0	-	A	---

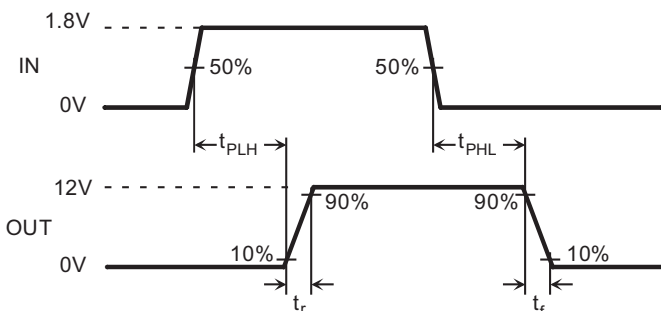
AC Electrical Characteristics ($V_H = V_{DD} = 12V$, $V_L = V_{SS} = GND = 0V$, $V_{OE} = 3.3V$, $T_J = 25^\circ C$)

Sym.	Parameter	Min.	Typ.	Max.	Units	Conditions
t_{irf}	Input or OE rise & fall time	-	-	10	ns	Logic input edge speed requirement
t_{PLH}	Propagation delay when output is from low to high	-	7.0	-	ns	$C_{LOAD} = 1000pF$, see timing diagram Input signal rise/fall time 2ns
t_{PHL}	Propagation delay when output is from high to low	-	7.0	-	ns	
t_{POE}	Propagation delay OE to output	-	9.0	-	ns	
t_r	Output rise time	-	6.0	-	ns	
t_f	Output fall time	-	6.0	-	ns	
$ t_r - t_f $	Rise and fall time matching	-	1.0	-	ns	
$ t_{PLH} - t_{PHL} $	Propagation low to high and high to low matching	-	1.0	-	ns	for each channel
Δt_{dm}	Propagation delay matching	-	± 2.0	-	ns	Device to device delay match

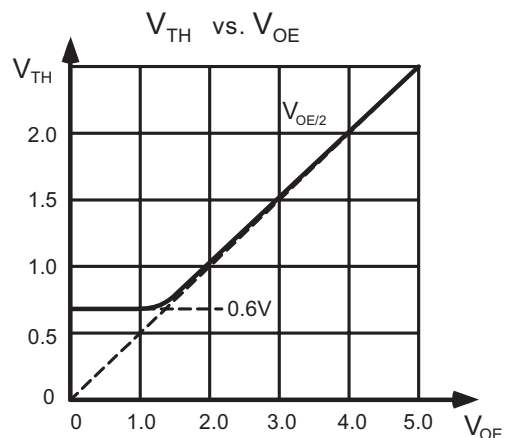
Logic Truth Table

Logic Inputs		Output
OE	IN	
H	L	V_L
H	H	V_H
L	X	High Z

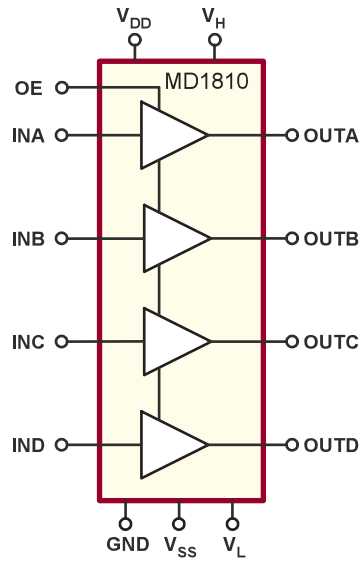
Timing Diagram



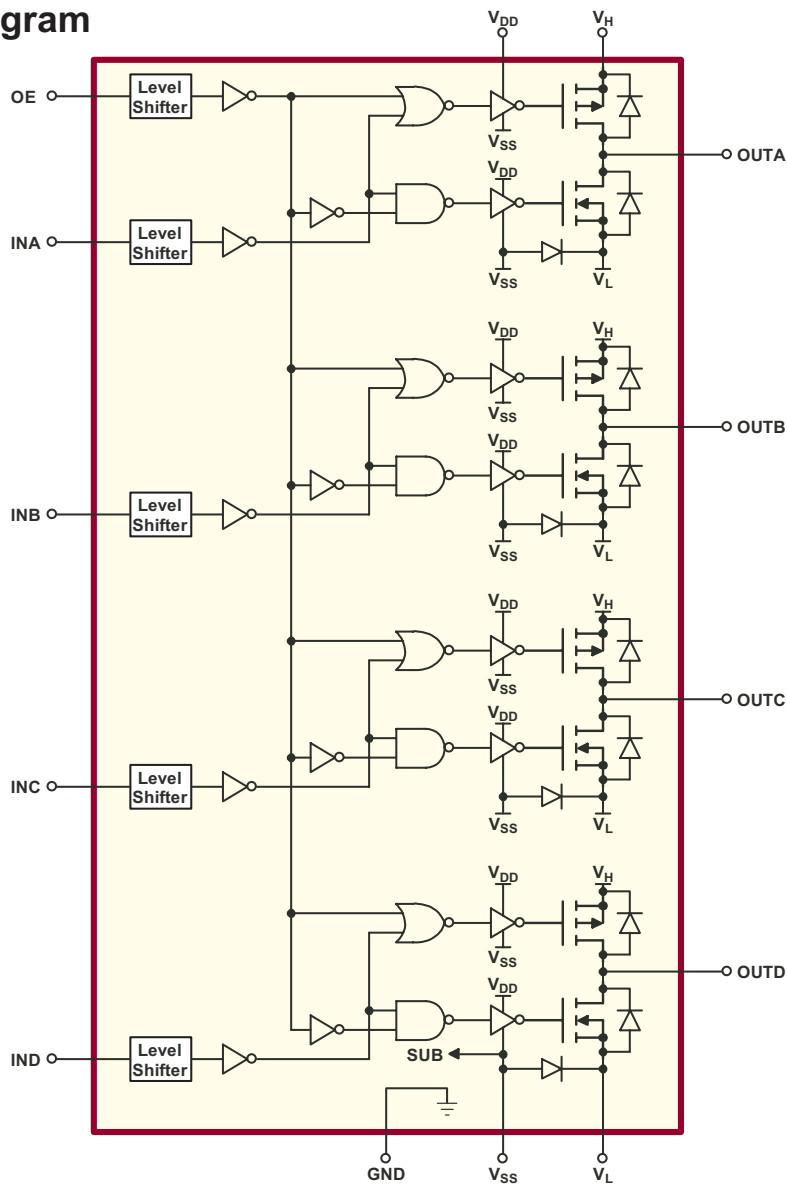
V_{TH} / V_{OE} Curve



Simplified Block Diagram

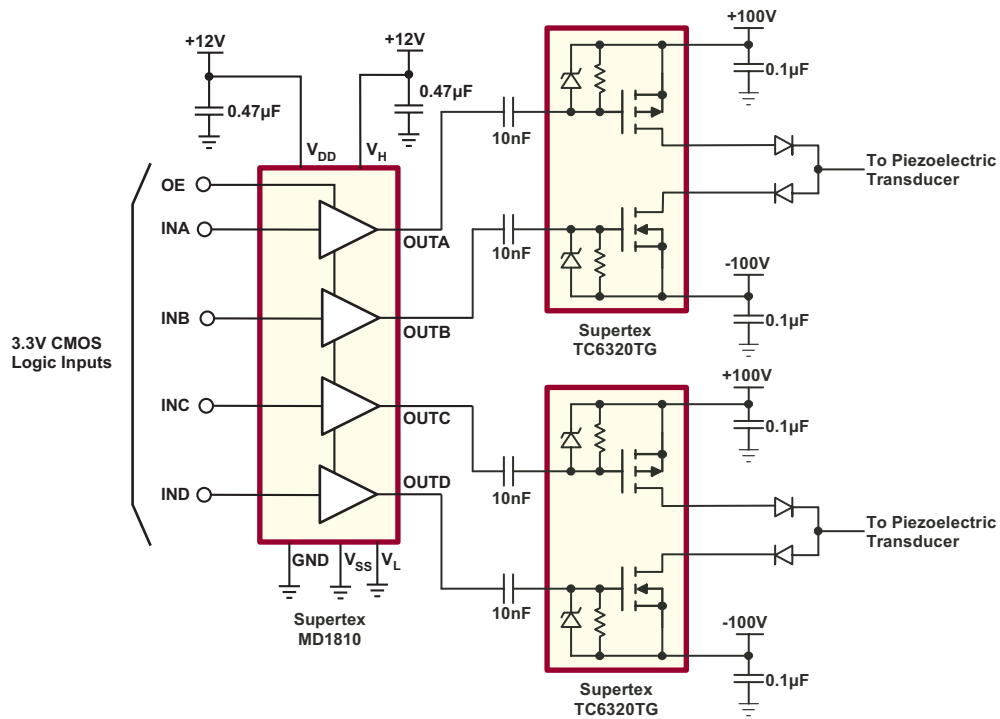


Detailed Block Diagram

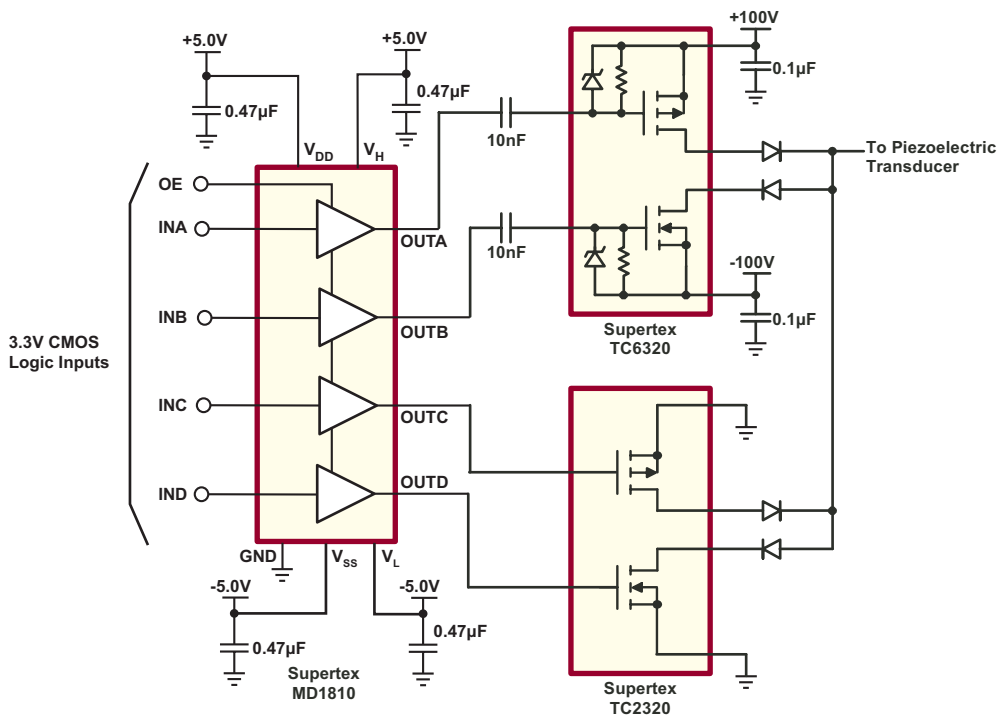


Typical Applications

2-Channel +100V to -100V Pulser



Single Channel ±100V to 0V Pulser



Application Information

For proper operation of the MD1810, low inductance bypass capacitors should be used on the various supply pins. The GND pin should be connected to the logic ground. The INA, INB, INC, IND, and OE pins should be connected to a logic source with a swing of GND to V_{LL} , where V_{LL} is 1.2 to 5.0 volts. Good trace practices should be followed corresponding to the desired operating speed. The internal circuitry of the MD1810 is capable of operating up to 100MHz, with the primary speed limitation being the loading effects of the load capacitance. Because of this speed and the high transient currents that result with capacitive loads, the bypass capacitors should be as close to the chip pins as possible. Unless the load specifically requires bipolar drive, the V_{SS} and V_L pins should have low inductance feed-through connections directly to a ground plane. If these voltages are not zero, then they need bypass capacitors in a manner similar to the positive power supplies. The power connection V_{DD} should have a ceramic bypass capacitor to the ground plane with short leads and decoupling components to prevent resonance in the power leads.

The voltages of V_H and V_L decide the output signal levels. These two pins can draw fast transient currents of up to 2A, so they should be provided with an appropriate bypass

capacitor located next to the chip pins. A ceramic capacitor of up to 1.0 μ F may be appropriate, with a series ferrite bead to prevent resonance in the power supply lead coming to the capacitor. Pay particular attention to minimizing trace lengths, current loop area and using sufficient trace width to reduce inductance. Surface mount components are highly recommended. Since the output impedance of this driver is very low, in some cases it may be desirable to add a small series resistance in series with the output signal to obtain better waveform transitions at the load terminals. This will of course reduce the output voltage slew rate at the terminals of a capacitive load.

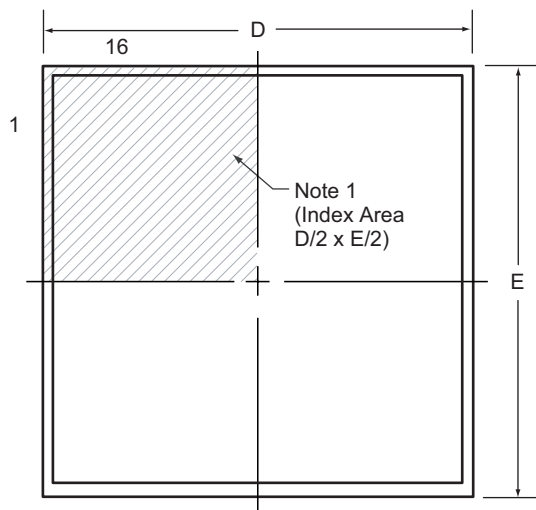
Pay particular attention that parasitic couplings are minimized from the output to the input signal terminals. The parasitic feedback may cause oscillations or spurious waveform shapes on the edges of signal transitions. Since the input operates with signals down to 1.2V even small coupled voltages may cause problems. Use of a solid ground plane and good power and signal layout practices will prevent this problem. Be careful that a circulating ground return current from a capacitive load cannot react with common inductance to cause noise voltages in the input logic circuitry.

Pin Description

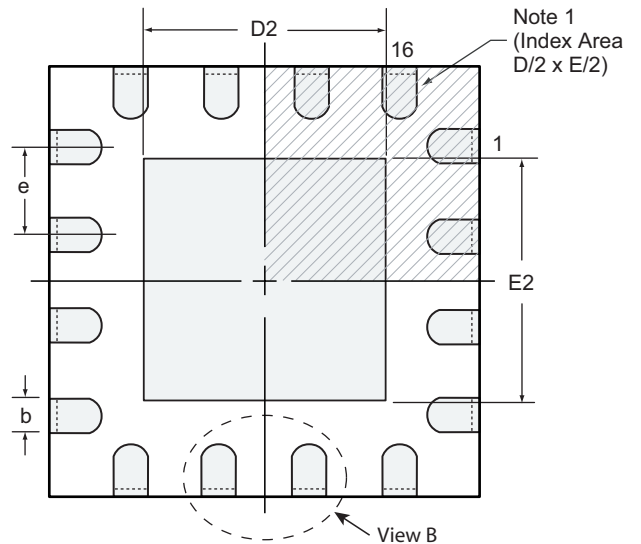
Pin #	Function	Description
1	INB	Logic input. Input logic high will cause the output to swing to V_H . Input logic low will cause the output to swing to V_L . Keep all logic inputs low until IC powered up.
5	INC	
6	IND	
15	INA	
2	V_L	Supply voltage for N-channel output stage.
4		
3	GND	Logic input ground reference.
7	V_{SS}	Low side supply voltage. V_{SS} is also connected to the IC substrate. It is required to connect to the most negative potential of voltage supplies and powered-up first.
8	OUTD	Output drivers
9	OUTC	
12	OUTB	
13	OUTA	
10	V_H	Supply voltage for P-channel output stage.
11		
14	V_{DD}	High side supply voltage.
16	OE	Output enable logic input. When OE is high, $(V_{OE} + V_{GND})/2$ sets the threshold transition between logic level high and low. When OE is low, all outputs are at high impedance. Keep OE low until IC powered up.
Substrate		The IC substrate is internally connected to the thermal pad. Thermal Pad and V_{SS} must be connected externally.

16-Lead QFN Package Outline (K6)

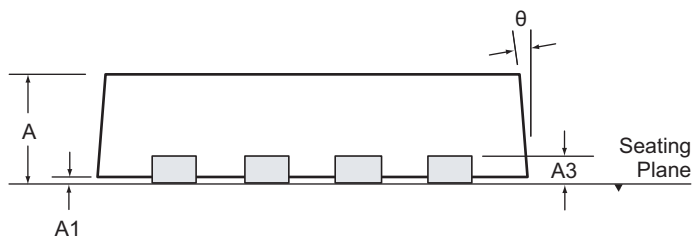
4x4mm body, 1.00mm height (max), 0.65mm pitch



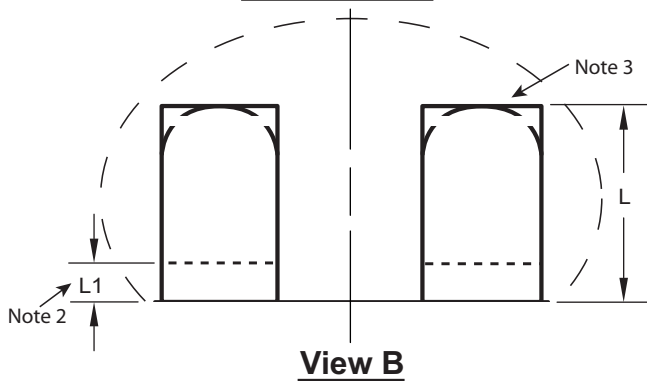
Top View



Bottom View



Side View



View B

Notes:

1. Details of Pin 1 identifier are optional, but must be located within the indicated area. The Pin 1 identifier may be either a mold, or an embedded metal or marked feature.
2. Depending on the method of manufacturing, a maximum of 0.15mm pullback (L1) may be present.
3. The inner tip of the lead may be either rounded or square.

Symbol	A	A1	A3	b	D	D2	E	E2	e	L	L1	θ	
Dimension (mm)	MIN	0.80	0.00	0.20 REF	0.25	3.85	2.40	3.85	2.40	0.65 BSC	0.30	-	0°
	NOM	0.90	0.02		0.30	4.00	-	4.00	-		0.40	-	-
	MAX	1.00	0.05		0.35	4.15	2.80	4.15	2.80		0.50	0.15	14°

JEDEC Registration MO-220, Variation VGGC-3, Issue K, June 2006.

Drawings not to scale.

Supertex inc. does not recommend the use of its products in life support applications, and will not knowingly sell its products for use in such applications, unless it receives an adequate "product liability indemnification insurance agreement". **Supertex** does not assume responsibility for use of devices described and limits its liability to the replacement of the devices determined defective due to workmanship. No responsibility is assumed for possible omissions or inaccuracies. Circuitry and specifications are subject to change without notice. For the latest product specifications, refer to the **Supertex** website: <http://www.supertex.com>.

©2007 **Supertex inc.** All rights reserved. Unauthorized use or reproduction is prohibited.

Supertex inc.

1235 Bordeaux Drive, Sunnyvale, CA 94089
 TEL: (408) 222-8888 / FAX: (408) 222-4895

www.supertex.com



Компания «ЭлектроПласт» предлагает заключение долгосрочных отношений при поставках импортных электронных компонентов на взаимовыгодных условиях!

Наши преимущества:

- Оперативные поставки широкого спектра электронных компонентов отечественного и импортного производства напрямую от производителей и с крупнейших мировых складов;
- Поставка более 17-ти миллионов наименований электронных компонентов;
- Поставка сложных, дефицитных, либо снятых с производства позиций;
- Оперативные сроки поставки под заказ (от 5 рабочих дней);
- Экспресс доставка в любую точку России;
- Техническая поддержка проекта, помощь в подборе аналогов, поставка прототипов;
- Система менеджмента качества сертифицирована по Международному стандарту ISO 9001;
- Лицензия ФСБ на осуществление работ с использованием сведений, составляющих государственную тайну;
- Поставка специализированных компонентов (Xilinx, Altera, Analog Devices, Intersil, Interpoint, Microsemi, Aeroflex, Peregrine, Syfer, Eurofarad, Texas Instrument, Miteq, Cobham, E2V, MA-COM, Hittite, Mini-Circuits, General Dynamics и др.);

Помимо этого, одним из направлений компании «ЭлектроПласт» является направление «Источники питания». Мы предлагаем Вам помощь Конструкторского отдела:

- Подбор оптимального решения, техническое обоснование при выборе компонента;
- Подбор аналогов;
- Консультации по применению компонента;
- Поставка образцов и прототипов;
- Техническая поддержка проекта;
- Защита от снятия компонента с производства.



Как с нами связаться

Телефон: 8 (812) 309 58 32 (многоканальный)

Факс: 8 (812) 320-02-42

Электронная почта: org@eplast1.ru

Адрес: 198099, г. Санкт-Петербург, ул. Калинина, дом 2, корпус 4, литера А.