

# MAX3440E–MAX3444E

# ±15kV ESD-Protected, ±60V Fault-Protected, 10Mbps, Fail-Safe RS-485/J1708 Transceivers

## General Description

The MAX3440E–MAX3444E fault-protected RS-485 and J1708 transceivers feature ±60V protection from signal faults on communication bus lines. Each device contains one differential line driver with three-state output and one differential line receiver with three-state input. The 1/4-unit-load receiver input impedance allows up to 128 transceivers on a single bus. The devices operate from a 5V supply at data rates of up to 10Mbps. True fail-safe inputs guarantee a logic-high receiver output when the receiver inputs are open, shorted, or connected to an idle data line.

Hot-swap circuitry eliminates false transitions on the data bus during circuit initialization or connection to a live backplane. Short-circuit current-limiting and thermal shut-down circuitry protect the driver against excessive power dissipation, and on-chip ±15kV ESD protection eliminates costly external protection devices.

The MAX3440E–MAX3444E are available in 8-pin SO and PDIP packages and are specified over industrial and automotive temperature ranges.

## Applications

- RS-422/RS-485 Communications
- Industrial Networks
- Telecommunications Systems
- HVAC Controls

## Features

- ±15kV ESD Protection
- ±60V Fault Protection
- Guaranteed 10Mbps Data Rate (MAX3441E/MAX3443E)
- Hot Swappable for Telecom Applications
- True Fail-Safe Receiver Inputs
- Enhanced Slew-Rate-Limiting Facilitates Error-Free Data Transmission (MAX3440E/MAX3442E/MAX3444E)
- Allow Up to 128 Transceivers on the Bus
- -7V to +12V Common-Mode Input Range
- Automotive Temperature Range (-40°C to +125°C)
- Industry-Standard Pinout

## Ordering Information

| PART         | TEMP RANGE      | PIN-PACKAGE |
|--------------|-----------------|-------------|
| MAX3440EESA+ | -40°C to +85°C  | 8 SO        |
| MAX3440EEPA+ | -40°C to +85°C  | 8 PDIP      |
| MAX3440EASA+ | -40°C to +125°C | 8 SO        |
| MAX3440EAPA+ | -40°C to +125°C | 8 PDIP      |

+Denotes a lead(Pb)-free/RoHS-compliant package.  
**Ordering Information continued at end of data sheet.**

## Selector Guide

| PART     | TYPE   | DATA RATE (Mbps) | LOW-POWER SHUTDOWN | RECEIVER/DRIVER ENABLE | TRANSCIEVERS ON BUS | HOT SWAP      |
|----------|--------|------------------|--------------------|------------------------|---------------------|---------------|
| MAX3440E | RS-485 | 0.25             | No                 | Yes                    | 128                 | Yes           |
| MAX3441E | RS-485 | 2.5 to 10        | No                 | Yes                    | 128                 | Yes           |
| MAX3442E | RS-485 | 0.25             | Yes                | Yes                    | 128                 | Yes           |
| MAX3443E | RS-485 | 2.5 to 10        | Yes                | Yes                    | 128                 | Yes           |
| MAX3444E | J1708  | 0.25             | Yes                | Yes                    | 128                 | Yes (only RE) |

## Pin Configurations and Typical Operating Circuits



# MAX3440E–MAX3444E

±15kV ESD-Protected, ±60V Fault-Protected,  
10Mbps, Fail-Safe RS-485/J1708 Transceivers

## Absolute Maximum Ratings

Voltages Referenced to GND

|   |                                   |
|---|-----------------------------------|
| V <sub>CC</sub> .....                                 | +7V                               |
| FAULT, DE/RE, RE, DE, DE̅, DI, TXD.....               | -0.3V to (V <sub>CC</sub> + 0.3V) |
| A, B (Note 1) .....                                   | ±60V                              |
| RO .....  | -0.3V to (V <sub>CC</sub> + 0.3V) |
| Short-Circuit Duration (RO, A, B) .....               | Continuous                        |
| Continuous Power Dissipation (T <sub>A</sub> = +70°C) |                                   |
| SO (derate 5.9mW/°C above +70°C) .....                | 471mW                             |
| PDIP (derate 9.09mW/°C above +70°C) .....             | 727mW                             |

Operating Temperature Ranges

|   |                 |
|---|-----------------|
| MAX344_EE_.....                         | -40°C to +85°C  |
| MAX344_EA_.....                         | -40°C to +125°C |
| Storage Temperature Range .....         | -65°C to +150°C |
| Junction Temperature .....              | +150°C          |
| Lead Temperature (soldering, 10s) ..... | +300°C          |
| Soldering Temperature (reflow) .....    | +260°C          |

**Note 1:** A, B must be terminated with 54Ω or 100Ω to guarantee ±60V fault protection.

Stresses beyond those listed under “Absolute Maximum Ratings” may cause permanent damage to the device. These are stress ratings only, and functional operation of the device at these or any other conditions beyond those indicated in the operational sections of the specifications is not implied. Exposure to absolute maximum rating conditions for extended periods may affect device reliability.

## DC Electrical Characteristics

(V<sub>CC</sub> = +4.75V to +5.25V, T<sub>A</sub> = T<sub>MIN</sub> to T<sub>MAX</sub>, unless otherwise noted. Typical values are at V<sub>CC</sub> = +5V and T<sub>A</sub> = +25°C.)

| PARAMETER  | SYMBOL            | CONDITIONS  | MIN   | TYP                 | MAX             | UNITS |
|--|-------------------|---|---|---------------------|-----------------|-------|
| <b>DRIVER</b>                                      |                   |   |   |                     |                 |       |
| Differential Driver Output                         | V <sub>OD</sub>   | Figure 1, R <sub>L</sub> = 100Ω                           | 2   |                     | V <sub>CC</sub> | V     |
|  |                   | Figure 1, R <sub>L</sub> = 54Ω                            | 1.5   |                     | V <sub>CC</sub> |       |
| Change in Magnitude of Differential Output Voltage | ΔV <sub>OD</sub>  | Figure 1, R <sub>L</sub> = 100Ω or 54Ω (Note 2)           |   |                     | 0.2             | V     |
| Driver Common-Mode Output Voltage                  | V <sub>OC</sub>   | Figure 1, R <sub>L</sub> = 100Ω or 54Ω                    |   | V <sub>CC</sub> / 2 | 3               | V     |
| Change in Magnitude of Common-Mode Voltage         | ΔV <sub>OC</sub>  | Figure 1, R <sub>L</sub> = 100Ω or 54Ω (Note 2)           |   |                     | 0.2             | V     |
| <b>DRIVER LOGIC</b>                                |                   |   |   |                     |                 |       |
| Driver Input High Voltage                          | V <sub>DIH</sub>  |   | 2   |                     |                 | V     |
| Driver Input Low Voltage                           | V <sub>DIL</sub>  |   |   |                     | 0.8             | V     |
| Driver Input Current                               | I <sub>DIN</sub>  |   |   |                     | ±2              | μA    |
| Driver Short-Circuit Output Current (Note 3)       | I <sub>OSD</sub>  | 0V ≤ V <sub>OUT</sub> ≤ +12V                              |   |                     | +350            | mA    |
|  |                   | -7V ≤ V <sub>OUT</sub> ≤ V <sub>CC</sub>                  | -350  |                     |                 |       |
| Driver Short-Circuit Foldback Output Current       | I <sub>OSDF</sub> | (V <sub>CC</sub> - 1V) ≤ V <sub>OUT</sub> ≤ +12V (Note 3) | +25   |                     |                 | mA    |
|  |                   | -7V ≤ V <sub>OUT</sub> ≤ +1V (Note 3)                     |   |                     | -25             |       |
| <b>RECEIVER</b>                                    |                   |   |   |                     |                 |       |
| Input Current                                      | I <sub>A,B</sub>  | A, B  | V <sub>CC</sub> = GND, V <sub>A</sub> , B = 12V |                     | 250             | μA    |
|  |                   |   | V <sub>A</sub> , B = -7V                        |                     | -150            |       |
|  |                   |   | V <sub>A</sub> , B = ±60V                       |                     | ±6              |       |
| Receiver Differential Threshold Voltage            | V <sub>TH</sub>   | -7V ≤ V <sub>CM</sub> ≤ +12V                              | -200  |                     | -50             | mV    |
| Receiver Input Hysteresis                          | ΔV <sub>TH</sub>  |   |   | 25                  |                 | mV    |

# MAX3440E–MAX3444E

±15kV ESD-Protected, ±60V Fault-Protected,  
10Mbps, Fail-Safe RS-485/J1708 Transceivers

## DC Electrical Characteristics (continued)

( $V_{CC} = +4.75V$  to  $+5.25V$ ,  $T_A = T_{MIN}$  to  $T_{MAX}$ , unless otherwise noted. Typical values are at  $V_{CC} = +5V$  and  $T_A = +25^\circ C$ .)

| PARAMETER                                    | SYMBOL     | CONDITIONS  | MIN  | TYP | MAX | UNITS |
|--|------------|---|--|-----|-----|-------|
| <b>RECEIVER LOGIC</b>                        |            |   |  |     |     |       |
| Output High Voltage                          | $V_{OH}$   | Figure 2, $I_{OH} = -1.6mA$                                     | $V_{CC} - 0.6$   |     |     | V     |
| Output Low Voltage                           | $V_{OL}$   | Figure 2, $I_{OL} = 1mA$  |  |     | 0.4 | V     |
| Three-State Output Current at Receiver       | $I_{OZR}$  | $0V \leq V_A, B \leq V_{CC}$                                    |  |     | ±1  | µA    |
| Receiver Input Resistance                    | $R_{IN}$   | $-7V \leq V_{CM} \leq +12V$                                     | 48   |     |     | kΩ    |
| Receiver Output Short-Circuit Current        | $I_{OSR}$  | $0V \leq V_{RO} \leq V_{CC}$                                    |  |     | ±95 | mA    |
| <b>CONTROL</b>                               |            |   |  |     |     |       |
| Control Input High Voltage                   | $V_{CIH}$  | DE, DE, RE, DE/RE   | 2  |     |     | V     |
| Input Current Latch During First Rising Edge | $I_{IN}$   | DE, DE/RE, RE   |  | 90  |     | µA    |
| <b>SUPPLY CURRENT</b>                        |            |   |  |     |     |       |
| Normal Operation                             | $I_Q$      | No load, $D_I = V_{CC}$ or GND                                  | MAX3440E (DE/RE = $V_{CC}$ ),<br>MAX3442E (DE = $V_{CC}$ ,<br>RE = GND),<br>MAX3444E (DE = RE = GND) |     | 30  | mA    |
|  |            |   | MAX3441E (DE/RE = $V_{CC}$ ),<br>MAX3443E (DE = $V_{CC}$ ,<br>RE = GND)                              |     | 10  |       |
| Supply Current in Shutdown Mode              | $I_{SHDN}$ | DE = GND, RE = $V_{CC}$ (MAX3442E/<br>MAX3443E)                 | DE = GND, RE = $V_{CC}$ , $T_A = +25^\circ C$<br>(MAX3442E/MAX3443E)                                 |     | 10  | µA    |
|  |            |   | DE = RE = $V_{CC}$ (MAX3444E)  |     | 100 |       |
|  |            |   | DE = RE = $V_{CC}$ , $T_A = +25^\circ C$ (MAX3444E)  |     | 10  |       |
|  |            |   |  |     |     |       |
| Supply Current with Output Shorted to ±60V   | $I_{SHRT}$ | DE = GND, RE = GND, no load<br>output in three-state (MAX3443E) |  |     | ±15 | mA    |

## Protection Specifications

( $V_{CC} = +4.75V$  to  $+5.25V$ ,  $T_A = T_{MIN}$  to  $T_{MAX}$ , unless otherwise noted. Typical values are at  $V_{CC} = +5V$  and  $T_A = +25^\circ C$ .)

| PARAMETER  | SYMBOL     | CONDITIONS                                | MIN  | TYP | MAX  | UNITS |
|--|------------|---|------|-----|------|-------|
| Overvoltage Protection                             |            | A, B; $R_{SOURCE} = 0$ , $R_L = 54\Omega$ | ±60  |     |      | V     |
| ESD Protection                                     |            | A, B Human Body Model                     |      | ±15 |      | kV    |
| <b>FAULT DETECTION</b>                             |            |   |      |     |      |       |
| Receiver Differential Threshold                    | $F_{DIPH}$ | $V_{CM} = 0V$ , high limit                | 270  |     | 450  | mV    |
| Receiver Differential Threshold                    | $F_{DIPL}$ | $V_{CM} = 0V$ , low limit                 | -450 |     | -270 | mV    |
| Fault-Detection Common-Mode Input Voltage Positive |            |   | 12   |     |      | V     |
| Fault-Detection Common-Mode Input Voltage Negative |            |   |      |     | -7   | V     |

**Switching Characteristics (MAX3440E/MAX3442E/MAX3444E)**(V<sub>CC</sub> = +4.75V to +5.25V, T<sub>A</sub> = T<sub>MIN</sub> to T<sub>MAX</sub>, unless otherwise noted. Typical values are at V<sub>CC</sub> = +5V and T<sub>A</sub> = +25°C.)

| PARAMETER                                       | SYMBOL                                       | CONDITIONS  | MIN | TYP | MAX  | UNITS |
|---|--|---|-----|-----|------|-------|
| Driver Propagation Delay                        | t <sub>PLHA</sub> ,<br>t <sub>PLHB</sub>     | MAX3440E/MAX3442E,<br>Figure 3, R <sub>L</sub> = 54Ω, C <sub>L</sub> = 50pF   |     |     | 2000 | ns    |
|   |  | MAX3444E, R <sub>DIFF</sub> = 60Ω, C <sub>DIFF</sub> = 100pF  |     |     |      |       |
| Driver Differential Propagation Delay           | t <sub>DPLH</sub> ,<br>t <sub>DPHL</sub>     | Figure 4, R <sub>L</sub> = 54Ω, C <sub>L</sub> = 50pF   |     |     | 2000 | ns    |
| Driver Differential Output Transition Time      | t <sub>LH</sub> , t <sub>HL</sub>            | Figure 4, R <sub>L</sub> = 54Ω, C <sub>L</sub> = 50pF   | 200 |     | 2000 | ns    |
| Driver Output Skew                              | t <sub>SKEWAB</sub> ,<br>t <sub>SKEWBA</sub> | R <sub>L</sub> = 54Ω, C <sub>L</sub> = 50pF,<br>t <sub>SKEWAB</sub> =  t <sub>PLHA</sub> - t <sub>PHLB</sub>  ,<br>t <sub>SKEWBA</sub> =  t <sub>PLHB</sub> - t <sub>PLHA</sub> |     |     | 350  | ns    |
| Differential Driver Output Skew                 | t <sub>DSKEW</sub>                           | R <sub>L</sub> = 54Ω, C <sub>L</sub> = 50pF,<br>t <sub>DSKEW</sub> =  t <sub>DPLH</sub> - t <sub>DPHL</sub>   |     |     | 200  | ns    |
| Maximum Data Rate                               | f <sub>MAX</sub>                             |   | 250 |     |      | kbps  |
| Driver Enable Time to Output High               | t <sub>PDZH</sub>                            | Figure 5, R <sub>L</sub> = 500Ω, C <sub>L</sub> = 50pF  |     |     | 2000 | ns    |
| Driver Disable Time from Output High            | t <sub>PDHZ</sub>                            | Figure 5, R <sub>L</sub> = 500Ω, C <sub>L</sub> = 50pF  |     |     | 2000 | ns    |
| Driver Enable Time from Shutdown to Output High | t <sub>PDHS</sub>                            | Figure 5, R <sub>L</sub> = 500Ω, C <sub>L</sub> = 50pF<br>(MAX3442E/MAX3444E)   |     |     | 4.2  | μs    |
| Driver Enable Time to Output Low                | t <sub>PDZL</sub>                            | Figure 6, R <sub>L</sub> = 500Ω, C <sub>L</sub> = 50pF  |     |     | 2000 | ns    |
| Driver Disable Time from Output Low             | t <sub>PD LZ</sub>                           | Figure 6, R <sub>L</sub> = 500Ω, C <sub>L</sub> = 50pF  |     |     | 2000 | ns    |
| Driver Enable Time from Shutdown to Output Low  | t <sub>PDLS</sub>                            | Figure 6, R <sub>L</sub> = 500Ω, C <sub>L</sub> = 50pF<br>(MAX3442E/MAX3444E)   |     |     | 4.2  | μs    |
| Driver Time to Shutdown                         | t <sub>SHDN</sub>                            | R <sub>L</sub> = 500Ω, C <sub>L</sub> = 50pF<br>(MAX3442E/MAX3444E)   |     |     | 800  | ns    |
| Receiver Propagation Delay                      | t <sub>RPLH</sub> ,<br>t <sub>RPHL</sub>     | Figure 7, C <sub>L</sub> = 20pF, V <sub>ID</sub> = 2V, V <sub>CM</sub> = 0V   |     |     | 2000 | ns    |
| Receiver Output Skew                            | t <sub>RSKEW</sub>                           | C <sub>L</sub> = 20pF, t <sub>RSKEW</sub> =  t <sub>RPLH</sub> - t <sub>RPHL</sub>  |     |     | 200  | ns    |
| Receiver Enable Time to Output High             | t <sub>RPZH</sub>                            | Figure 8, R <sub>L</sub> = 1kΩ, C <sub>L</sub> = 20pF   |     |     | 2000 | ns    |
| Receiver Disable Time from Output High          | t <sub>RPHZ</sub>                            | Figure 8, R <sub>L</sub> = 1kΩ, C <sub>L</sub> = 20pF   |     |     | 2000 | ns    |
| Receiver Wake Time from Shutdown                | t <sub>RPWAKE</sub>                          | Figure 8, R <sub>L</sub> = 1Ω, C <sub>L</sub> = 20pF<br>(MAX3442E/MAX3444E)   |     |     | 4.2  | μs    |
| Receiver Enable Time to Output Low              | t <sub>RPZL</sub>                            | Figure 8, R <sub>L</sub> = 1kΩ, C <sub>L</sub> = 20pF   |     |     | 2000 | ns    |
| Receiver Disable Time from Output Low           | t <sub>RPLZ</sub>                            | Figure 8, R <sub>L</sub> = 1Ω, C <sub>L</sub> = 20pF  |     |     | 2000 | ns    |
| Receiver Time to Shutdown                       | t <sub>SHDN</sub>                            | R <sub>L</sub> = 50Ω, C <sub>L</sub> = 50pF<br>(MAX3442E/MAX3444E)  |     |     | 800  | ns    |

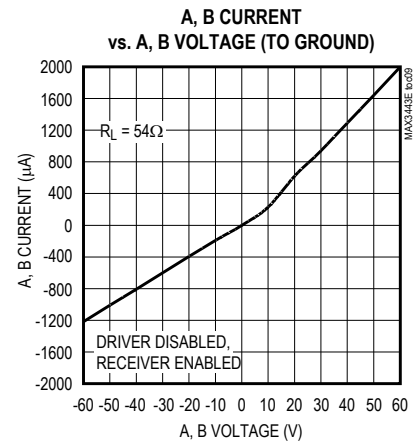
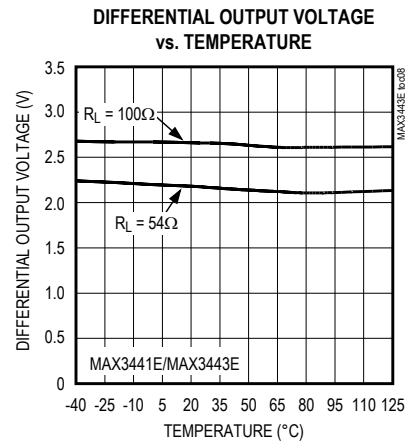
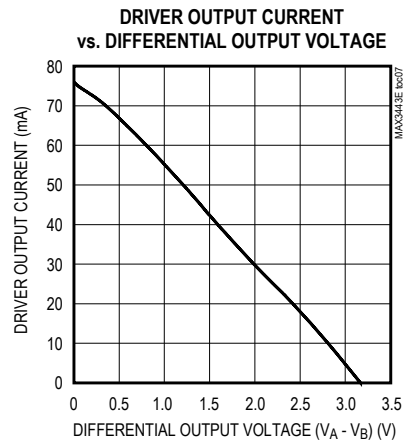
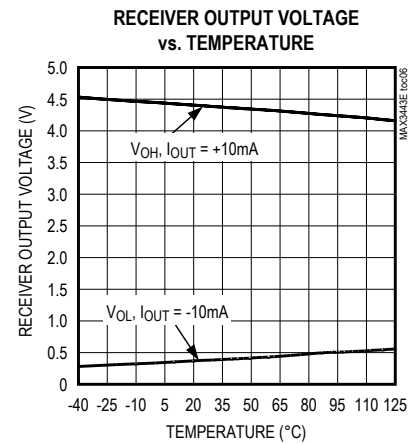
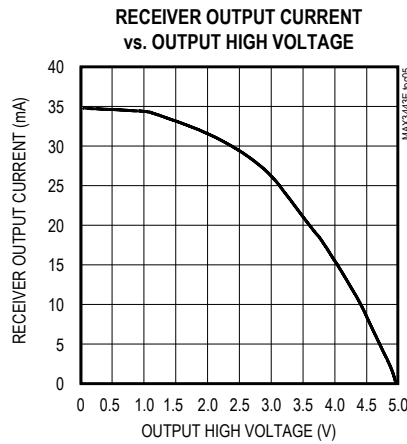
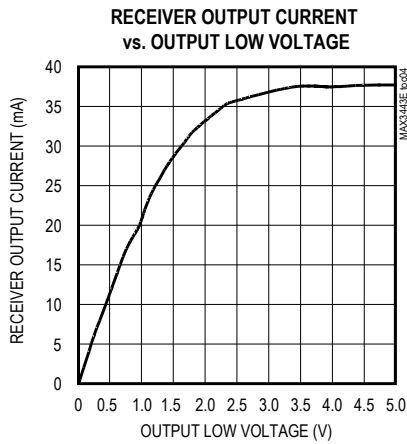
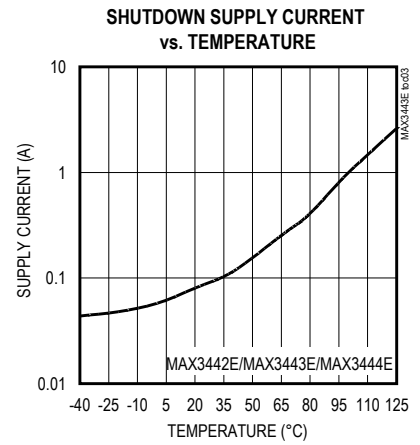
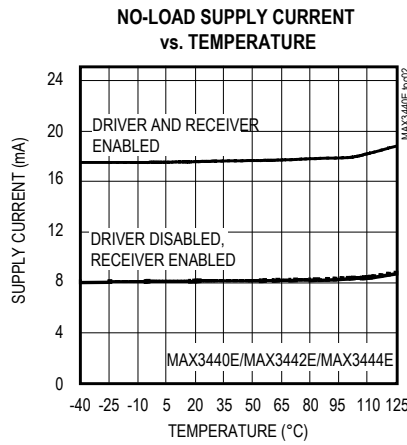
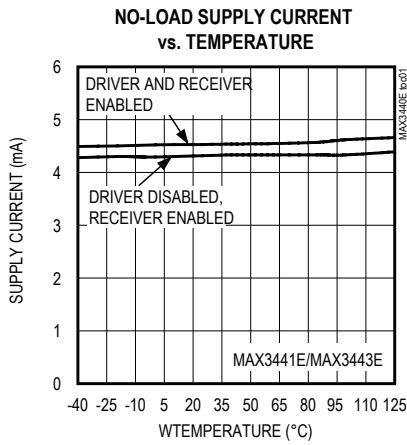
**Switching Characteristics (MAX3441E/MAX3443E)**(V<sub>CC</sub> = +4.75V to +5.25V, T<sub>A</sub> = T<sub>MIN</sub> to T<sub>MAX</sub>, unless otherwise noted. Typical values are at V<sub>CC</sub> = +5V and T<sub>A</sub> = +25°C.)

| PARAMETER                                       | SYMBOL                                       | CONDITIONS  | MIN | TYP | MAX  | UNITS |
|---|--|---|-----|-----|------|-------|
| Driver Propagation Delay                        | t <sub>PLHA</sub> ,<br>t <sub>PLHB</sub>     | Figure 3, R <sub>L</sub> = 27Ω, C <sub>L</sub> = 50pF   |     |     | 60   | ns    |
| Driver Differential Propagation Delay           | t <sub>DPLH</sub> ,<br>t <sub>DPHL</sub>     | Figure 4, R <sub>L</sub> = 54Ω, C <sub>L</sub> = 50pF   |     |     | 60   | ns    |
| Driver Differential Output Transition Time      | t <sub>LH</sub> , t <sub>HL</sub>            | Figure 4, R <sub>L</sub> = 54Ω, C <sub>L</sub> = 50pF   |     |     | 25   | ns    |
| Driver Output Skew                              | t <sub>SKEWAB</sub> ,<br>t <sub>SKEWBA</sub> | R <sub>L</sub> = 54Ω, C <sub>L</sub> = 50pF,<br>t <sub>SKEWAB</sub> =  t <sub>PLHA</sub> - t <sub>PHLB</sub>  ,<br>t <sub>SKEWBA</sub> =  t <sub>PLHB</sub> - t <sub>PHLA</sub> |     |     | 10   | ns    |
| Differential Driver Output Skew                 | t <sub>DSKEW</sub>                           | R <sub>L</sub> = 54Ω, C <sub>L</sub> = 50pF,<br>t <sub>DSKEW</sub> =  t <sub>DPLH</sub> - t <sub>DPHL</sub>   |     |     | 10   | ns    |
| Maximum Data Rate                               | f <sub>MAX</sub>                             |   | 10  |     |      | Mbps  |
| Driver Enable Time to Output High               | t <sub>PDZH</sub>                            | Figure 5, R <sub>L</sub> = 500Ω, C <sub>L</sub> = 50pF  |     |     | 1200 | ns    |
| Driver Disable Time from Output High            | t <sub>PDHZ</sub>                            | Figure 5, R <sub>L</sub> = 500Ω, C <sub>L</sub> = 50pF  |     |     | 1200 | ns    |
| Driver Enable Time from Shutdown to Output High | t <sub>PDHS</sub>                            | Figure 5, R <sub>L</sub> = 500Ω, C <sub>L</sub> = 50pF (MAX3443E)   |     |     | 4.2  | μs    |
| Driver Enable Time to Output Low                | t <sub>PDZL</sub>                            | Figure 6, R <sub>L</sub> = 500Ω, C <sub>L</sub> = 50pF  |     |     | 1200 | ns    |
| Driver Disable Time from Output Low             | t <sub>PDLZ</sub>                            | Figure 6, R <sub>L</sub> = 500Ω, C <sub>L</sub> = 50pF  |     |     | 1200 | ns    |
| Driver Enable Time from Shutdown to Output Low  | t <sub>PDLS</sub>                            | Figure 6, R <sub>L</sub> = 500Ω, C <sub>L</sub> = 50pF (MAX3443E)   |     |     | 4.2  | μs    |
| Driver Time to Shutdown                         | t <sub>SHDN</sub>                            | Figure 6, R <sub>L</sub> = 500Ω, C <sub>L</sub> = 50pF (MAX3443E)   |     |     | 800  | ns    |
| Receiver Propagation Delay                      | t <sub>RPLH</sub> ,<br>t <sub>RPHL</sub>     | Figure 7, C <sub>L</sub> = 20pF, V <sub>ID</sub> = 2V, V <sub>CM</sub> = 0V   |     |     | 85   | ns    |
| Receiver Output Skew                            | t <sub>RSKEW</sub>                           | C <sub>L</sub> = 20pF, t <sub>RSKEW</sub> =  t <sub>RPLH</sub> - t <sub>RPHL</sub>  |     |     | 15   | ns    |
| Receiver Enable Time to Output High             | t <sub>RPZH</sub>                            | Figure 8, R <sub>L</sub> = 1kΩ, C <sub>L</sub> = 20pF   |     |     | 400  | ns    |
| Receiver Disable Time from Output High          | t <sub>RPHZ</sub>                            | Figure 8, R <sub>L</sub> = 1kΩ, C <sub>L</sub> = 20pF   |     |     | 400  | ns    |
| Receiver Wake Time from Shutdown                | t <sub>RPWAKE</sub>                          | Figure 8, R <sub>L</sub> = 1kΩ, C <sub>L</sub> = 20pF (MAX3443E)  |     |     | 4.2  | μs    |
| Receiver Enable Wake Time from Shutdown         | t <sub>RPSH</sub>                            | Figure 8, R <sub>L</sub> = 1kΩ, C <sub>L</sub> = 20pF   |     |     | 400  | ns    |
| Receiver Disable Time from Output Low           | t <sub>RPLZ</sub>                            | Figure 8, R <sub>L</sub> = 1kΩ, C <sub>L</sub> = 20pF   |     |     | 400  | ns    |
| Receiver Time to Shutdown                       | t <sub>SHDN</sub>                            | R <sub>L</sub> = 500Ω, C <sub>L</sub> = 50pF (MAX3443E)   |     |     | 800  | ns    |

**Note 2:** ΔV<sub>OD</sub> and ΔV<sub>OC</sub> are the changes in V<sub>OD</sub> and V<sub>OC</sub>, respectively, when the DI input changes state.**Note 3:** The short-circuit output current applies to peak current just before foldback current limiting; the short-circuit foldback output current applies during current limiting to allow a recovery from bus contention.

Typical Operating Characteristics

(V<sub>CC</sub> = +5V, T<sub>A</sub> = +25°C, unless otherwise noted.)



Test Circuits and Waveforms



Figure 1. Driver  $V_{OD}$  and  $V_{OC}$



Figure 2. Receiver  $V_{OH}$  and  $V_{OL}$

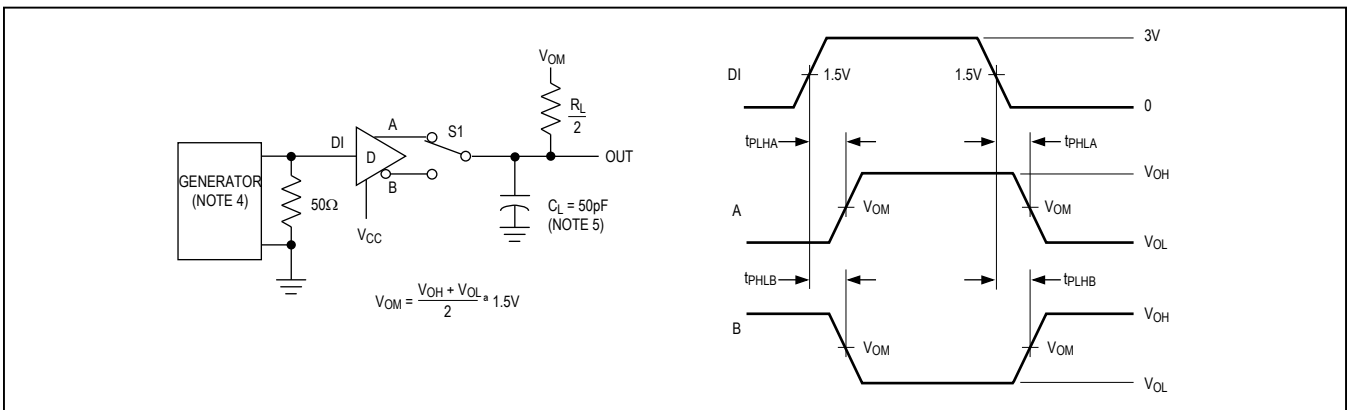


Figure 3. Driver Propagation Times

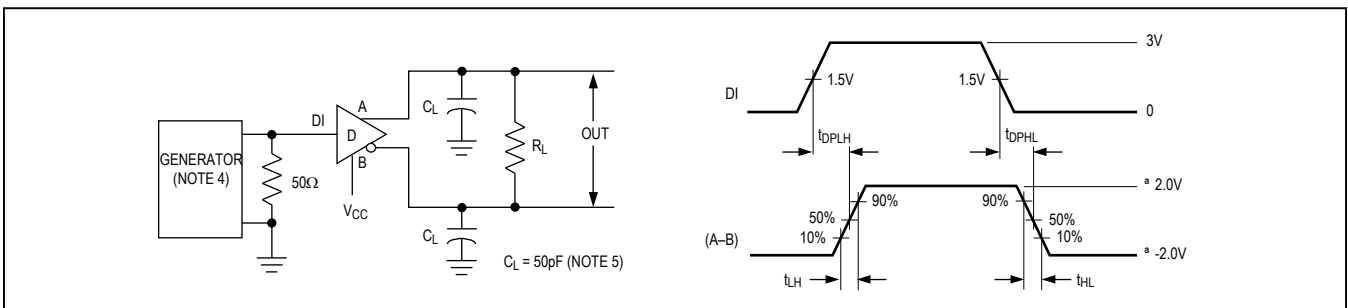


Figure 4. Driver Differential Output Delay and Transition Times

Test Circuits and Waveforms (continued)



Figure 5. Driver Enable and Disable Times



Figure 6. Driver Enable and Disable Times



Figure 7. Receiver Propagation Delay



Test Circuits and Waveforms (continued)



Figure 8. Receiver Enable and Disable Times

**Note 4:** The input pulse is supplied by a generator with the following characteristics:  $f = 5\text{MHz}$ , 50% duty cycle;  $t_r \leq 6\text{ns}$ ;  $Z_0 = 50\Omega$ .

**Note 5:**  $C_L$  includes probe and stray capacitance.

## Pin Description

| PIN                  |                      |          | NAME            | FUNCTION   |
|----------------------|----------------------|----------|-----------------|--|
| MAX3440E<br>MAX3441E | MAX3442E<br>MAX3443E | MAX3444E |                 |  |
| 1                    | —                    | —        | FAULT           | Fault output. 1 = fault; 0 = normal operation<br>A or B under the following conditions: <ul style="list-style-type: none"> <li>• A-B differential &lt;200mV</li> <li>• A shorted to B</li> <li>• A shorted to a voltage within the common-mode range (detected only when the driver is enabled)</li> <li>• B shorted to a voltage within the common-mode range (detected only when the driver is enabled)</li> <li>• A or B outside the common-mode range</li> </ul> |
| 2                    | 1                    | 1        | RO              | Receiver Output. If receiver enabled and (A-B) ≥ -50mV, RO = high; if (A-B) ≤ -200mV, RO = low.  |
| —                    | 2                    | 2        | $\overline{RE}$ | Receiver Output Enable. Pull $\overline{RE}$ low to enable RO.   |
| —                    | —                    | 3        | $\overline{DE}$ | Driver Output Enable. Pull $\overline{DE}$ low to enable the outputs<br>Force $\overline{DE}$ high to three-state the outputs. Drive $\overline{RE}$ and $\overline{DE}$ high to enter low-power shutdown mode.  |
| 3                    | —                    | —        | DE/RE           | Driver/Receiver Output Enable. Pull DE/RE low to three-state the driver output and enable RO. Force DE/RE high to enable driver output and three-state RO  |
| —                    | 3                    | —        | DE              | Driver Output Enable. Force DE high to enable driver. Pull $\overline{DE}$ low to three-state the driver output. Drive $\overline{RE}$ high and pull DE low to enter low-power shutdown mode.  |
| 4                    | 4                    | —        | DI              | Driver Input. A logic-low on DI forces the noninverting output low and the inverting output high. A logic-high on DI forces the noninverting output high and the inverting output low.   |
| —                    | —                    | 4        | TXD             | J1708 Input. A logic-low on TXD forces outputs A and B to the dominant state. A logic-high on TXD forces outputs A and B to the recessive state.   |
| 5                    | 5                    | 5        | GND             | Ground   |
| 6                    | 6                    | 6        | A               | Noninverting Receiver Input/Driver Output  |
| 7                    | 7                    | 7        | B               | Inverting Receiver Input/Driver Output   |
| 8                    | 8                    | 8        | V <sub>CC</sub> | Positive Supply, V <sub>CC</sub> = +4.75V to +5.25V  |

Function Tables

Table 1. MAX3440E/MAX3441E Fault Table

| INPUTS   |                        | OUTPUTS                   |                                  | FAULT CONDITION                   |
|--|------------------------|---------------------------|----------------------------------|-----------------------------------|
| A-B<br>V <sub>ID</sub> DIFFERENTIAL<br>INPUT VOLTAGE | COMMON-MODE<br>VOLTAGE | RO                        | FAULT<br>CONDITIONED<br>BY DELAY |                                   |
| ≥0.45V   | ≤12V and ≥-7V          | 1                         | 0                                | Normal operation                  |
| <0.45V and ≥0.27V                                    |                        | 1                         | Indeterminate                    | Indeterminate                     |
| <0.27V and ≥-0.05V                                   |                        | 1                         | 1                                | Low-input differential voltage    |
| ≤-0.05V and ≥-0.2V                                   |                        | Indeterminate<br>(Note 1) | 1                                | Low-input differential voltage    |
| ≤-0.2V and >-0.27V                                   |                        | 0                         | 1                                | Low-input differential voltage    |
| ≤-0.27V and >-0.45V                                  |                        | 0                         | Indeterminate                    | Indeterminate                     |
| ≤-0.45V  |                        | 0                         | 0                                |                                   |
| X  | <-7V or >+12V          | Indeterminate             | 1                                | Outside common-mode voltage range |

X = Don't care.

Note 1: Receiver output may oscillate with this differential input condition.

Table 2. MAX3440E/MAX3441E  
(RS-485/RS-422)

| TRANSMITTING |    |         |        |
|--------------|----|---------|--------|
| INPUTS       |    | OUTPUTS |        |
| DE/RE        | DI | A       | B      |
| 0            | X  | High-Z  | High-Z |
| 1            | 0  | 0       | 1      |
| 1            | 1  | 1       | 0      |

X = Don't care.

Table 4. MAX3444E (J1708) Application

| TRANSMITTING |    |         |        |                 |
|--------------|----|---------|--------|-----------------|
| INPUTS       |    | OUTPUTS |        | CONDITIONS      |
| TXD          | DE | A       | B      | —               |
| 0            | 1  | High-Z  | High-Z | —               |
| 1            | 1  | High-Z  | High-Z | —               |
| 0            | 0  | 0       | 1      | Dominant state  |
| 1            | 0  | High-Z  | High-Z | Recessive state |

X = Don't care.

Table 3. MAX3442E/MAX3443E  
(RS-485/RS-422)

| TRANSMITTING |    |    |          |          |
|--------------|----|----|----------|----------|
| INPUTS       |    |    | OUTPUTS  |          |
| RE           | DE | DI | A        | B        |
| 0            | 0  | X  | High-Z   | High-Z   |
| 0            | 1  | 0  | 0        | 1        |
| 0            | 1  | 1  | 1        | 0        |
| 1            | 0  | X  | Shutdown | Shutdown |
| 1            | 1  | 0  | 0        | 1        |
| 1            | 1  | 1  | 1        | 0        |

X = Don't care.

Table 5. MAX3440E/MAX3441E  
(RS-485/RS-422)

| RECEIVING |              |         |
|-----------|--------------|---------|
| INPUTS    |              | OUTPUTS |
| DE/RE     | (A - B)      | RO      |
| 0         | ≥-0.05V      | 1       |
| 0         | ≤-0.2V       | 0       |
| 0         | Open/shorted | 1       |
| 1         | X            | High-Z  |

X = Don't care.

Function Tables (continued)

Table 6. MAX3442E/MAX3443E (RS-485/RS-422)

| RECEIVING       |    |               |          |
|-----------------|----|---------------|----------|
| INPUTS          |    |               | OUTPUTS  |
| $\overline{RE}$ | DE | (A - B)       | RO       |
| 0               | X  | $\geq -0.05V$ | 1        |
| 0               | X  | $\leq -0.2V$  | 0        |
| 0               | X  | Open/shorted  | 1        |
| 1               | 1  | X             | High-Z   |
| 1               | 0  | X             | Shutdown |

X = Don't care.

Detailed Description

The MAX3440E–MAX3444E fault-protected transceivers for RS-485/RS-422 and J1708 communication contain one driver and one receiver. These devices feature fail-safe circuitry, which guarantees a logic-high receiver output when the receiver inputs are open or shorted, or when they are connected to a terminated transmission line with all drivers disabled (see the *True Fail-Safe* section). All devices have a hot-swap input structure that prevents disturbances on the differential signal lines when a circuit board is plugged into a hot backplane (see the *Hot-Swap Capability* section). The MAX3440E/MAX3442E/MAX3444E feature a reduced slew-rate driver that minimizes EMI and reduces reflections caused by improperly terminated cables, allowing error-free data transmission up to 250kbps (see the *Reduced EMI and Reflections* section). The MAX3441E/ MAX3443E drivers are not slew-rate limited, allowing transmit speeds up to 10Mbps.

Driver

The driver accepts a single-ended, logic-level input (DI) and transfers it to a differential, RS-485/RS-422 level output (A and B). Deasserting the driver enable places the driver outputs (A and B) into a high-impedance state.

Receiver

The receiver accepts a differential, RS-485/RS-422 level input (A and B), and transfers it to a single-ended, logic-level output (RO). Deasserting the receiver enable places the receiver inputs (A and B) into a high-impedance state (see Tables 1–7).

Table 7. MAX3444E (RS-485/RS-422)

| RECEIVING |    |                 |          |
|-----------|----|-----------------|----------|
| INPUTS    |    |                 | OUTPUTS  |
| RE        | DE | (A - B)         | RO       |
| 0         | X  | $\geq -0.05V$   | 1        |
| 0         | X  | $\square -0.2V$ | 0        |
| 0         | X  | Open/shorted    | 1        |
| 1         | 0  | X               | High-Z   |
| 1         | 1  | X               | Shutdown |

X = Don't care.

Low-Power Shutdown (MAX3442E/MAX3443E/MAX3444E)

The MAX3442E/MAX3443E/MAX3444E offer a low-power shutdown mode. Force DE low and  $\overline{RE}$  high to shut down the MAX3442E/MAX3443E. Force  $\overline{DE}$  and  $\overline{RE}$  high to shut down the MAX3444E. A time delay of 50ns prevents the device from accidentally entering shutdown due to logic skews when switching between transmit and receive modes. Holding DE low and  $\overline{RE}$  high for at least 800ns guarantees that the MAX3442E/MAX3443E enter shutdown. In shutdown, the devices consume a maximum 20µA supply current.

±60V Fault Protection

The driver outputs/receiver inputs of RS-485 devices in industrial network applications often experience voltage faults resulting from shorts to the power grid that exceed the -7V to +12V range specified in the EIA/TIA-485 standard. In these applications, ordinary RS-485 devices (typical absolute maximum -8V to +12.5V) require costly external protection devices. To reduce system complexity and eliminate this need for external protection, the driver outputs/receiver inputs of the MAX3440E–MAX3444E withstand voltage faults up to ±60V with respect to ground without damage. Protection is guaranteed regardless whether the device is active, shut down, or without power.

True Fail-Safe

The MAX3440E–MAX3444E use a -50mV to -200mV differential input threshold to ensure true fail-safe receiver inputs. This threshold guarantees the receiver outputs a logic-high for shorted, open, or idle data lines. The -50mV to -200mV threshold complies with the ±200mV threshold EIA/TIA-485 standard.

**±15kV ESD Protection**

As with all Maxim devices, ESD-protection structures are incorporated on all pins to protect against ESD encountered during handling and assembly. The MAX3440E–MAX3444E receiver inputs/driver outputs (A, B) have extra protection against static electricity found in normal operation. Maxim’s engineers have developed state-of-the-art structures to protect these pins against ±15kV ESD without damage. After an ESD event, the MAX3440E–MAX3444E continue working without latchup.

ESD protection can be tested in several ways. The receiver inputs are characterized for protection to ±15kV using the Human Body Model.

**ESD Test Conditions**

ESD performance depends on a number of conditions. Contact Maxim for a reliability report that documents test setup, methodology, and results.

**Human Body Model**

Figure 9a shows the Human Body Model, and Figure 9b shows the current waveform it generates when discharged into a low impedance. This model consists of a 100pF capacitor charged to the ESD voltage of interest, which is then discharged into the device through a 1.5kΩ resistor.

**Driver Output Protection**

Two mechanisms prevent excessive output current and power dissipation caused by faults or bus contention. The first, a foldback current limit on the driver output stage, provides immediate protection against short circuits over the whole common-mode voltage range. The second, a thermal shutdown circuit, forces the driver outputs into a high-impedance state if the die temperature exceeds +160°C. Normal operation resumes when the die temperature cools to +140°C, resulting in a pulsed output during continuous short-circuit conditions.



Figure 9a. Human Body ESD Test Model



Figure 9b. Human Body Model Current Waveform

## Hot-Swap Capability

### Hot-Swap Inputs

Inserting circuit boards into a hot, or powered, backplane may cause voltage transients on DE, DE/RE,  $\overline{\text{RE}}$ , and receiver inputs A and B that can lead to data errors. For example, upon initial circuit board insertion, the processor undergoes a power-up sequence. During this period, the high-impedance state of the output drivers makes them unable to drive the MAX3440E–MAX3444E enable inputs to a defined logic level. Meanwhile, leakage currents of up to 10 $\mu\text{A}$  from the high-impedance output, or capacitively coupled noise from  $V_{\text{CC}}$  or GND, could cause an input to drift to an incorrect logic state. To prevent such a condition from occurring, the MAX3440E–MAX3443E feature hot-swap input circuitry on DE, DE/RE, and  $\overline{\text{RE}}$  to guard against unwanted driver activation during hot-swap situations. The MAX3444E has hot-swap input circuitry only on  $\overline{\text{RE}}$ . When  $V_{\text{CC}}$  rises, an internal pulldown (or pullup for  $\overline{\text{RE}}$ ) circuit holds DE low for at least 10 $\mu\text{s}$ , and until the current into DE exceeds 200 $\mu\text{A}$ . After the initial power-up sequence, the pulldown circuit becomes transparent, resetting the hot-swap tolerable input.

### Hot-Swap Input Circuitry

At the driver-enable input (DE), there are two nMOS devices, M1 and M2 (Figure 10). When  $V_{\text{CC}}$  ramps from zero, an internal 15 $\mu\text{s}$  timer turns on M2 and sets the SR latch, which also turns on M1. Transistors M2, a 2mA current sink, and M1, a 100 $\mu\text{A}$  current sink, pull DE to GND through a 5.6k $\Omega$  resistor. M2 pulls DE to the disabled state against an external parasitic capacitance up to 100pF that may drive DE high. After 15 $\mu\text{s}$ , the timer deactivates M2 while M1 remains on, holding DE low against three-state leakage currents that may drive DE high. M1 remains on until an external current source overcomes the required input current. At this time, the SR latch resets M1 and turns off. When M1 turns off, DE reverts to a standard, high-impedance CMOS input. Whenever  $V_{\text{CC}}$  drops below 1V, the input is reset.

A complementary circuit for  $\overline{\text{RE}}$  uses two pMOS devices to pull  $\overline{\text{RE}}$  to  $V_{\text{CC}}$ .

## Applications Information

### 128 Transceivers on the Bus

The MAX3440E–MAX3444E transceivers 1/4-unit-load receiver input impedance (48k $\Omega$ ) allows up to 128 transceivers connected in parallel on one communication line. Connect any combination of these devices, and/or other RS-485 devices, for a maximum of 32-unit loads to the line.

### Reduced EMI and Reflections

The MAX3440E/MAX3442E/MAX3444E are slew-rate limited, minimizing EMI and reducing reflections caused by improperly terminated cables. Figure 11 shows the driver output waveform and its Fourier analysis of a 125kHz signal transmitted by a MAX3443E. High-frequency harmonic components with large amplitudes are evident.

Figure 12 shows the same signal displayed for a MAX3442E transmitting under the same conditions. Figure 12's high-frequency harmonic components are much lower in amplitude, compared with Figure 11's, and the potential for EMI is significantly reduced.

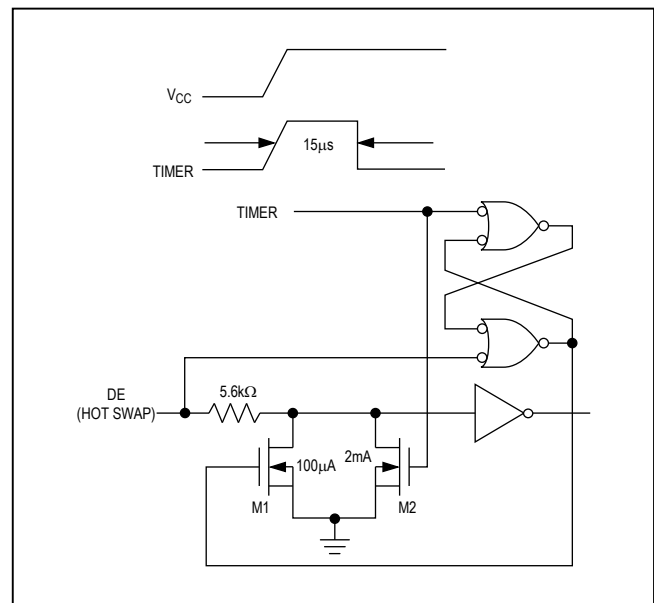


Figure 10. Simplified Structure of the Driver Enable Pin (DE)

In general, a transmitter’s rise time relates directly to the length of an unterminated stub, which can be driven with only minor waveform reflections. The following equation expresses this relationship conservatively:

$$\text{Length} = t_{\text{RISE}} / (10 \times 1.5\text{ns/ft})$$

where  $t_{\text{RISE}}$  is the transmitter’s rise time.

For example, the MAX3442E’s rise time is typically 800ns, which results in excellent waveforms with a stub length up to 53ft. A system can work well with longer unterminated stubs, even with severe reflections, if the waveform settles out before the UART samples them.

**RS-485 Applications**

The MAX3440E–MAX3443E transceivers provide bidirectional data communications on multipoint bus transmission lines. Figures 13 and 14 show a typical network applications circuit. The RS-485 standard covers line lengths up to 4000ft. To minimize reflections and reduce data errors, terminate the signal line at both ends in its characteristic impedance, and keep stub lengths off the main line as short as possible.

**J1708 Applications**

The MAX3444E is designed for J1708 applications. To configure the MAX3444E, connect  $\overline{\text{DE}}$  and  $\overline{\text{RE}}$  to GND. Connect the signal to be transmitted to TXD. Terminate the bus with the load circuit as shown in Figure 15. The drivers used by SAE J1708 are used in a dominant-mode application.  $\overline{\text{DE}}$  is active low; a high input on  $\overline{\text{DE}}$  places the outputs in high impedance. When the driver is disabled (TXD high or  $\overline{\text{DE}}$  high), the bus is pulled high by external bias resistors R1 and R2. Therefore, a logic level high is encoded as recessive. When all transceivers are idle in this configuration, all receivers output logic high because of the pullup resistor on A and pulldown resistor on B. R1 and R2 provide the bias for the recessive state. C1 and C2 combine to form a 6MHz lowpass filter, effective for reducing FM interference. R2, C1, R4, and C2 combine to form a 1.6MHz lowpass filter, effective for reducing AM interference. Because the bus is unterminated, at high frequencies, R3 and R4 perform a pseudo-termination. This makes the implementation more flexible, as no specific termination nodes are required at the ends of the bus.



Figure 11. Driver Output Waveform and FFT Plot of MAX3443E Transmitting a 125kHz Signal



Figure 12. Driver Output Waveform and FFT Plot of MAX3442E Transmitting a 125kHz Signal

MAX3440E–MAX3444E

±15kV ESD-Protected, ±60V Fault-Protected,  
10Mbps, Fail-Safe RS-485/J1708 Transceivers

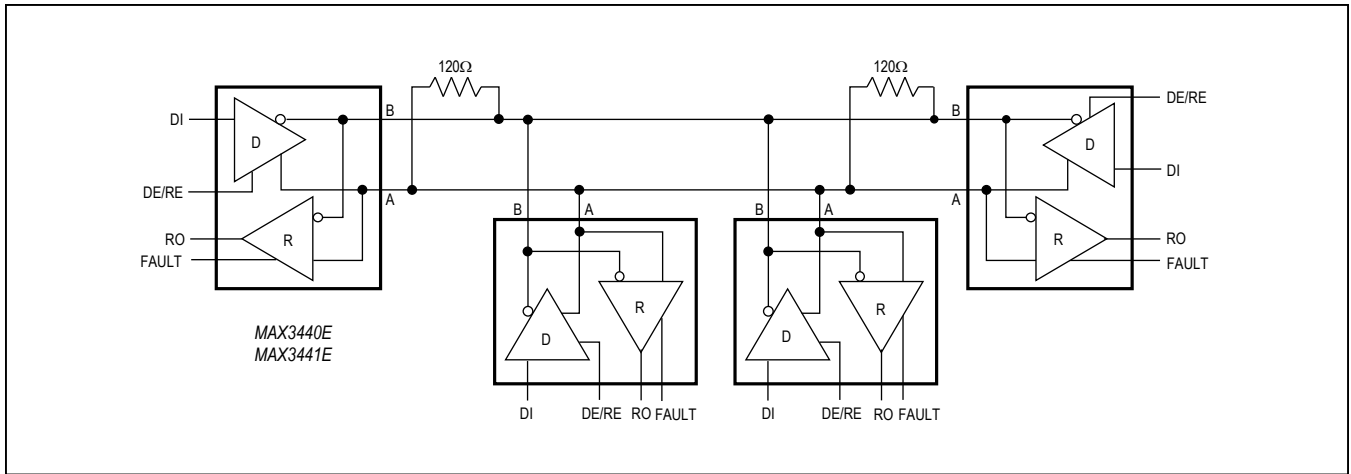


Figure 13. MAX3440E/MAX3441E Typical RS-485 Network



Figure 14. MAX3442E/MAX3443E Typical RS-485 Network



# MAX3440E–MAX3444E

±15kV ESD-Protected, ±60V Fault-Protected,  
10Mbps, Fail-Safe RS-485/J1708 Transceivers



Figure 15. J1708 Application Circuit

## Ordering Information (continued)

| PART                   | TEMP RANGE      | PIN-PACKAGE |
|------------------------|-----------------|-------------|
| <b>MAX3441E</b> ESA+   | -40°C to +85°C  | 8 SO        |
| MAX3441E <b>EP</b> A+  | -40°C to +85°C  | 8 PDIP      |
| MAX3441E <b>EA</b> SA+ | -40°C to +125°C | 8 SO        |
| MAX3441E <b>EAP</b> A+ | -40°C to +125°C | 8 PDIP      |
| <b>MAX3442E</b> ESA+   | -40°C to +85°C  | 8 SO        |
| MAX3442E <b>EP</b> A+  | -40°C to +85°C  | 8 PDIP      |
| MAX3442E <b>EA</b> SA+ | -40°C to +125°C | 8 SO        |
| MAX3442E <b>EAP</b> A+ | -40°C to +125°C | 8 PDIP      |
| <b>MAX3443E</b> CSA+   | 0°C to +70°C    | 8 SO        |
| MAX3443E <b>CP</b> A+  | 0°C to +70°C    | 8 PDIP      |
| MAX3443E <b>ESA</b> +  | -40°C to +85°C  | 8 SO        |
| MAX3443E <b>EP</b> A+  | -40°C to +85°C  | 8 PDIP      |
| MAX3443E <b>EAS</b> A+ | -40°C to +125°C | 8 SO        |
| MAX3443E <b>EAP</b> A+ | -40°C to +125°C | 8 PDIP      |
| <b>MAX3444E</b> ESA+   | -40°C to +85°C  | 8 SO        |
| MAX3444E <b>EP</b> A+  | -40°C to +85°C  | 8 PDIP      |
| MAX3444E <b>EAS</b> A+ | -40°C to +125°C | 8 SO        |
| MAX3444E <b>EAP</b> A+ | -40°C to +125°C | 8 PDIP      |

+Denotes a lead(Pb)-free/RoHS-compliant package.

## Pin Configurations and Typical Operating Circuits (continued)



---

MAX3440E–MAX3444E

±15kV ESD-Protected, ±60V Fault-Protected,  
10Mbps, Fail-Safe RS-485/J1708 Transceivers

### Chip Information

PROCESS: BICMOS

### Package Information

For the latest package outline information and land patterns (footprints), go to [www.maximintegrated.com/packages](http://www.maximintegrated.com/packages). Note that a "+", "#", or "-" in the package code indicates RoHS status only. Package drawings may show a different suffix character, but the drawing pertains to the package regardless of RoHS status.

| PACKAGE TYPE | PACKAGE CODE | OUTLINE NO.             | LAND PATTERN NO.        |
|--------------|--------------|-------------------------|-------------------------|
| 8 SO         | S8+4         | <a href="#">21-0041</a> | <a href="#">90-0096</a> |

## Revision History

| REVISION NUMBER | REVISION DATE | DESCRIPTION  | PAGES CHANGED |
|-----------------|---------------|--|---------------|
| 0               | 10/02         | Initial release  | —             |
| 1               | 12/05         | Corrected the supply current units from $\mu\text{A}$ to mA for the Shutdown Supply Current vs. Temperature graph in the <i>Typical Operating Characteristics</i> section; updated the outputs in Table 4; updated Figure 15 | 6, 11, 17     |
| 2               | 11/10         | Added lead(Pb)-free parts to the <i>Ordering Information</i> table; added the soldering temperature to the <i>Absolute Maximum Ratings</i> section; updated Table 4 outputs  | 1, 2, 11, 17  |
| 3               | 4/14          | Deleted “Truck and Trailer Applications” and “Automotive Applications” from <i>Applications</i> section  | 1             |

For pricing, delivery, and ordering information, please contact Maxim Direct at 1-888-629-4642, or visit Maxim Integrated's website at [www.maximintegrated.com](http://www.maximintegrated.com).

Maxim Integrated cannot assume responsibility for use of any circuitry other than circuitry entirely embodied in a Maxim Integrated product. No circuit patent licenses are implied. Maxim Integrated reserves the right to change the circuitry and specifications without notice at any time. The parametric values (min and max limits) shown in the Electrical Characteristics table are guaranteed. Other parametric values quoted in this data sheet are provided for guidance.



Компания «ЭлектроПласт» предлагает заключение долгосрочных отношений при поставках импортных электронных компонентов на взаимовыгодных условиях!

Наши преимущества:

- Оперативные поставки широкого спектра электронных компонентов отечественного и импортного производства напрямую от производителей и с крупнейших мировых складов;
- Поставка более 17-ти миллионов наименований электронных компонентов;
- Поставка сложных, дефицитных, либо снятых с производства позиций;
- Оперативные сроки поставки под заказ (от 5 рабочих дней);
- Экспресс доставка в любую точку России;
- Техническая поддержка проекта, помощь в подборе аналогов, поставка прототипов;
- Система менеджмента качества сертифицирована по Международному стандарту ISO 9001;
- Лицензия ФСБ на осуществление работ с использованием сведений, составляющих государственную тайну;
- Поставка специализированных компонентов (Xilinx, Altera, Analog Devices, Intersil, Interpoint, Microsemi, Aeroflex, Peregrine, Syfer, Eurofarad, Texas Instrument, Miteq, Cobham, E2V, MA-COM, Hittite, Mini-Circuits, General Dynamics и др.);

Помимо этого, одним из направлений компании «ЭлектроПласт» является направление «Источники питания». Мы предлагаем Вам помощь Конструкторского отдела:

- Подбор оптимального решения, техническое обоснование при выборе компонента;
- Подбор аналогов;
- Консультации по применению компонента;
- Поставка образцов и прототипов;
- Техническая поддержка проекта;
- Защита от снятия компонента с производства.



#### Как с нами связаться

**Телефон:** 8 (812) 309 58 32 (многоканальный)

**Факс:** 8 (812) 320-02-42

**Электронная почта:** [org@eplast1.ru](mailto:org@eplast1.ru)

**Адрес:** 198099, г. Санкт-Петербург, ул. Калинина, дом 2, корпус 4, литера А.