

MAX306/MAX307

Precision, 16-Channel/Dual 8-Channel, High-Performance, CMOS Analog Multiplexers

General Description

The MAX306/MAX307 precision, monolithic, CMOS analog multiplexers (muxes) offer low on-resistance (less than 100Ω), which is matched to within 5Ω between channels and remains flat over the specified analog signal range (7Ω, max). They also offer low leakage over temperature ($I_{NO(OFF)}$ less than 2.5nA at +85°C) and fast switching speeds (t_{TRANS} less than 250ns). The MAX306 is a single-ended 1-of-16 device, and the MAX307 is a differential 2-of-8 device.

The MAX306/MAX307 are fabricated with Maxim's improved 44V silicon-gate process. Design improvements yield extremely low charge injection (less than 10pC) and guarantee electrostatic discharge (ESD) protection greater than 2000V.

These muxes operate with a single +5V to +30V supply, or bipolar ±4.5V to ±20V supplies, while retaining TTL/CMOS-logic input compatibility and fast switching. CMOS inputs provide reduced input loading. These improved parts are plug-in upgrades for the industrystandard DG406, DG407, DG506A, and DG507A.

Applications

- Sample-and-Hold Circuits
- Test Equipment
- Heads-Up Displays
- Guidance and Control Systems
- Military Radios
- Communications Systems
- Battery-Operated Systems PBX, PABX
- Audio Signal Routing

Benefits and Features

- Guaranteed On-Resistance Match Between Channels, < 5Ω Max
- Low On-Resistance, < 100Ω Max
- Guaranteed Flat On-Resistance Over Specified Signal Range, 7Ω Max
- Guaranteed Charge Injection, < 10pC
- $I_{NO(OFF)}$ Leakage < 2.5nA at +85°C
- $I_{COM(OFF)}$ Leakage < 20nA at +85°C
- ESD Protection > 2000V
- Plug-In Upgrade for Industry-Standard DG406/DG407/DG506A/DG507A
- Single-Supply Operation (+5V to +30V)
Bipolar-Supply Operation (±4.5V to ±20V)
- Low Power Consumption, < 1.25mW
- Rail-to-Rail Signal Handling
- TTL/CMOS-Logic Compatible

Ordering Information

| PART | TEMP RANGE | PIN-PACKAGE |
|-----------|-----------------|-------------|
| MAX306CPI | 0°C to +70°C | 28 PDIP |
| MAX306CWI | 0°C to +70°C | 28 Wide SO |
| MAX306C/D | 0°C to +70°C | Dice* |
| MAX306EPI | -40°C to +85°C | 28 PDIP |
| MAX306EWI | -40°C to +85°C | 28 Wide SO |
| MAX306EQI | -40°C to +85°C | 28 PLCC |
| MAX306EUI | -40°C to +85°C | 28 TSSOP |
| MAX306MJI | -55°C to +125°C | 28 CERDIP |

Ordering Information continued at end of data sheet.

*Contact factory for dice specifications.

Pin Configurations/Functional Diagrams/Truth Tables

TOP VIEW

MAX306

PDIP/SO/TSSOP

| A3 | A2 | A1 | A0 | EN | ON Switch |
|----|----|----|----|----|-----------|
| X | X | X | X | 0 | None |
| 0 | 0 | 0 | 0 | 1 | 1 |
| 0 | 0 | 0 | 1 | 1 | 2 |
| 0 | 0 | 1 | 0 | 1 | 3 |
| 0 | 0 | 1 | 1 | 1 | 4 |
| 0 | 1 | 0 | 0 | 1 | 5 |
| 0 | 1 | 0 | 1 | 1 | 6 |
| 0 | 1 | 1 | 0 | 1 | 7 |
| 0 | 1 | 1 | 1 | 1 | 8 |
| 1 | 0 | 0 | 0 | 1 | 9 |
| 1 | 0 | 0 | 1 | 1 | 10 |
| 1 | 0 | 1 | 0 | 1 | 11 |
| 1 | 0 | 1 | 1 | 1 | 12 |
| 1 | 1 | 0 | 0 | 1 | 13 |
| 1 | 1 | 0 | 1 | 1 | 14 |
| 1 | 1 | 1 | 0 | 1 | 15 |
| 1 | 1 | 1 | 1 | 1 | 16 |

MAX306

LOGIC "0" $V_{AL} \leq 0.8V$, LOGIC "1" = $V_{AH} \geq 2.4V$

Pin Configurations/Functional Diagrams/Truth Tables continued at end of data sheet.

Absolute Maximum Ratings

(Voltage Referenced to V-)

| | |
|---|---|
| V+ | -0.3V, +44V |
| GND..... | -0.3V, +25V |
| Digital Inputs, NO, COM (Note 1) | (V- - 2V) to (V+ + 2V) or 30mA (whichever occurs first) |
| Continuous Current (any terminal)..... | 30mA |
| Peak Current, NO or COM (pulsed at 1ms, 10% duty cycle max) | 100mA |
| Continuous Power Dissipation (T _A = +70°C) | |
| Plastic DIP (derate 9.09mW/°C above +70°C)..... | 727mW |
| Wide SO (derate 12.50mW/°C above +70°C)..... | 1000mW |
| PLCC (derate 10.53mW/°C above +70°C)..... | 842mW |
| CERDIP (derate 16.67mW/°C above +70°C)..... | 1333mW |
| TSSOP (derate 12.8mW/°C above +70°C) | 1025mW |

Operating Temperature Ranges

| | |
|---|-----------------|
| MAX30_C_..... | 0°C to +70°C |
| MAX30_E_..... | -40°C to +85°C |
| MAX30_MJI..... | -55°C to +125°C |
| Storage Temperature Range..... | -65°C to +150°C |
| Lead Temperature (soldering, 10s)..... | +300°C |
| Soldering Temperature (reflow) | |
| PDIP, Wide SO, TSSOP lead(Pb)-free | +260°C |
| PDIP, Wide SO, TSSOP containing lead(Pb)..... | +240°C |
| PLCC lead(Pb)-free | +245°C |
| PLCC containing lead(Pb)..... | +225°C |
| CERDIP | +240°C |

Note 1: Signals on NO, COM, A0, A1, A2, A3, or EN exceeding V+ or V- are clamped by internal diodes. Limit forward current to maximum current ratings.

Stresses beyond those listed under "Absolute Maximum Ratings" may cause permanent damage to the device. These are stress ratings only, and functional operation of the device at these or any other conditions beyond those indicated in the operational sections of the specifications is not implied. Exposure to absolute maximum rating conditions for extended periods may affect device reliability.

Electrical Characteristics—Dual Supplies

(V+ = +15V, V- = -15V, GND = 0V, V_{AH} = +2.4V, V_{AL} = +0.8V, T_A = T_{MIN} to T_{MAX}, unless otherwise noted.)

| PARAMETER | SYMBOL | CONDITIONS | | MIN | TYP (Note 2) | MAX | UNITS | |
|---|------------------------------------|---|---|---|--------------|-------|-------|------|
| SWITCH | | | | | | | | |
| Analog Signal Range | V _{NO} , V _{COM} | (Note 3) | | -15 | | +15 | V | |
| On-Resistance | R _{ON} | I _{NO} = -1.0mA, V _{COM} = ±10V | T _A = +25°C | 60 | | 100 | Ω | |
| | | | T _A = T _{MIN} to T _{MAX} | | | 125 | | |
| On-Resistance Matching Between Channels | ΔR _{ON} | I _{NO} = -1.0mA, V _{COM} = ±10V (Note 4) | T _A = +25°C | 1.5 | | 5 | Ω | |
| | | | T _A = T _{MIN} to T _{MAX} | | | 8 | | |
| On-Resistance Flatness | R _{FLAT} | I _{NO} = -1.0mA, V _{COM} = ±5V or 0V | T _A = +25°C | 1.8 | | 7 | Ω | |
| | | | T _A = T _{MIN} to T _{MAX} | | | 10 | | |
| NO Off-Leakage Current (Note 5) | I _{NO(OFF)} | V _{COM} = +10V, V _{NO} = ±10V, V _{EN} = 0V | T _A = +25°C | -0.5 | +0.01 | +0.5 | nA | |
| | | | T _A = T _{MIN} to T _{MAX} | C, E | -2.5 | | | +2.5 |
| | | | | M | -5.0 | | | +5.0 |
| COM Off-Leakage Current (Note 5) | I _{COM(OFF)} | V _{NO} = ±10V, V _{COM} = +10V, V _{EN} = 0V | MAX306 | T _A = +25°C | -0.75 | +0.02 | +0.75 | nA |
| | | | | T _A = T _{MIN} to T _{MAX} | C, E | -20 | | |
| | | | M | | -40 | | +40 | |
| | | MAX307 | T _A = +25°C | C, E | -0.75 | +0.02 | +0.75 | |
| | | | | M | -10 | | +10 | |
| | | | T _A = T _{MIN} to T _{MAX} | M | -20 | | +20 | |

Electrical Characteristics—Dual Supplies (continued)(V+ = +15V, V- = -15V, GND = 0V, V_{AH} = +2.4V, V_{AL} = +0.8V, T_A = T_{MIN} to T_{MAX}, unless otherwise noted.)

| PARAMETER | SYMBOL | CONDITIONS | | MIN | TYP (Note 2) | MAX | UNITS | | | |
|--|----------------------|--|---|--|-----------------|-------|-------|----|-------|-----|
| COM On-Leakage Current (Note 5) | I _{COM(ON)} | V _{COM} = ±10V, V _{NO} = ±10V, Sequence each switch on | MAX306 | T _A = +25°C | -0.75 | +0.02 | +0.75 | nA | | |
| | | | | T _A = T _{MIN} to T _{MAX} | C, E | -25 | | | +25 | |
| | | | | | | M | -50 | | | +50 |
| | | | MAX307 | T _A = +25°C | -0.75 | +0.02 | +0.75 | | | |
| | | | | T _A = T _{MIN} to T _{MAX} | C, E | -12.5 | | | +12.5 | |
| | | | | | | M | -25 | | | +25 |
| INPUT | | | | | | | | | | |
| Input Current with Input Voltage High | I _{AH} | V _A = 2.4V or 15V | | -1.0 | | +1.0 | μA | | | |
| Input Current with Input Voltage Low | I _{AL} | V _{EN} = 0V or 2.4V, V _A = 0V | | -1.0 | | +1.0 | μA | | | |
| SUPPLY | | | | | | | | | | |
| Power-Supply Range | | | | ±4.5 | | ±20 | V | | | |
| Positive Supply Current | I ₊ | V _{EN} = V _A = 0V or 5.0V | T _A = +25°C | 16 | | 30 | μA | | | |
| | | | T _A = T _{MIN} to T _{MAX} | | | 75 | | | | |
| | | V _{EN} = 2.4V, V _{A(ALL)} = 0V | T _A = +25°C | 0.075 | | 0.5 | mA | | | |
| | | | T _A = T _{MIN} to T _{MAX} | | | 1 | | | | |
| Negative Supply Current | I ₋ | V _{EN} = 2.4V, V _{A(ALL)} = 0V | T _A = +25°C | -1 | | +1 | μA | | | |
| | | | T _A = T _{MIN} to T _{MAX} | -10 | | +10 | | | | |
| DYNAMIC | | | | | | | | | | |
| Transition Time (Note 3) | t _{TRANS} | Figure 2 | T _A = +25°C | 110 | | 300 | ns | | | |
| | | | T _A = T _{MIN} to T _{MAX} | | | 400 | | | | |
| Break-Before-Make Interval | t _{OPEN} | Figure 4 | T _A = +25°C | 10 | | 40 | ns | | | |
| Enable Turn-On Time (Note 3) | t _{ON(EN)} | Figure 3 | T _A = +25°C | 130 | | 200 | ns | | | |
| | | | T _A = T _{MIN} to T _{MAX} | | | 400 | | | | |
| Enable Turn-Off Time (Note 3) | t _{OFF(EN)} | Figure 3 | T _A = +25°C | 55 | | 150 | ns | | | |
| | | | T _A = T _{MIN} to T _{MAX} | | | 300 | | | | |
| Charge Injection (Note 3) | Q | C _L = 1.0nF, V _{NO} = 0V, R _S = 0Ω, Figure 5 | T _A = +25°C | 2 | | 10 | pC | | | |
| Off-Isolation (Note 6) | V _{ISO} | V _{EN} = 0V, R _L = 1kΩ, f _{SW} = 100kHz, Figure 6 | T _A = +25°C | | | -69 | dB | | | |
| Crosstalk Between Channels | V _{CT} | V _{EN} = 2.4V, f _{SW} = 100kHz, V _{GEN} = 1V _{P-P} , R _L = 1kΩ, Figure 7 | T _A = +25°C | | | -92 | dB | | | |
| Logic Input Capacitance | C _{IN} | f _{SW} = 1MHz | T _A = +25°C | | | 8 | pF | | | |

Electrical Characteristics—Single Supply

(V+ = +12V, V- = 0V, GND = 0V, V_{AH} = +2.4V, V_{AL} = +0.8V, T_A = T_{MIN} to T_{MAX}, unless otherwise noted.)

| PARAMETER | SYMBOL | CONDITIONS | | MIN | TYP (Note 2) | MAX | UNITS |
|----------------------------------|---------------------------------------|--|------------------------|------------------------|-----------------|-----|-------|
| NO Off-Capacitance | C _{NO(OFF)} | f _{SW} = 1MHz, V _{EN} = V _{NO} = 0V, Figure 8 | T _A = +25°C | | 8 | | pF |
| COM Off-Capacitance | C _{COM(OFF)} | f _{SW} = 1MHz, V _{EN} = 0.8V, V _{COM} = 0V, Figure 8 | MAX306 | T _A = +25°C | 130 | | pF |
| | | | MAX307 | | 65 | | |
| COM On-Capacitance | C _{COM(ON)} | f _{SW} = 1MHz, V _{EN} = 2.4V, V _{COM} = 0V, Figure 8 | MAX306 | T _A = +25°C | 140 | | pF |
| | | | MAX307 | | 70 | | |
| SWITCH | | | | | | | |
| Analog Signal Range | V _{NO} , V _{COM} | (Note 3) | | 0 | | 12 | V |
| On-Resistance | R _{ON} | I _{NO} = -1.0mA V _{COM} = 3V or 10V | T _A = +25°C | | 120 | 175 | Ω |
| DYNAMIC | | | | | | | |
| Transition Time (Note 3) | t _{TRANS} | V _{NO1} = 8V, V _{NO8} = 0V, V _{IN} = 2.4V, Figure 2 | T _A = +25°C | | 130 | 450 | ns |
| Enable Turn-On Time (Note 3) | t _{ON(EN)} | V _{INH} = 2.4V, V _{INL} = 0V, V _{NO1} = 5V, Figure 3 | T _A = +25°C | | 105 | 600 | ns |
| Enable Turn-Off Time (Note 3) | t _{OFF(EN)} | V _{INH} = 2.4V, V _{INL} = 0V, V _{NO1} = 5V, Figure 3 | T _A = +25°C | | 80 | 300 | ns |
| Charge Injection (Note 3) | Q | C _L = 1.0nF, V _{NO} = 0V, R _S = 0Ω | T _A = +25°C | | 2 | 10 | pC |

Note 2: The algebraic convention where the most negative value is a minimum and the most positive value a maximum is used in this data sheet.

Note 3: Guaranteed by design.

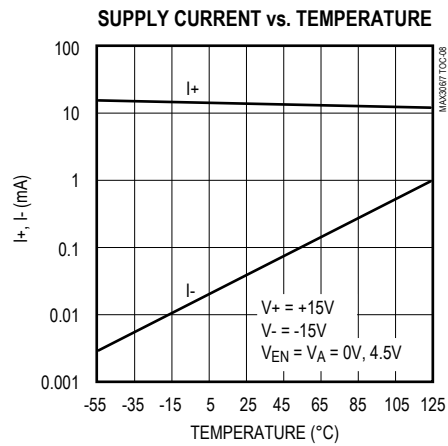
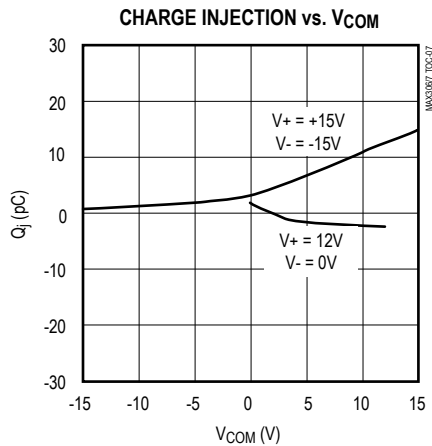
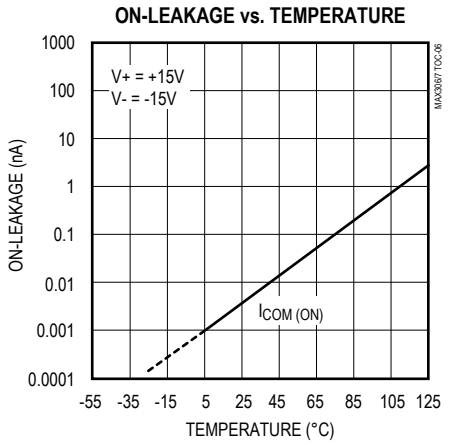
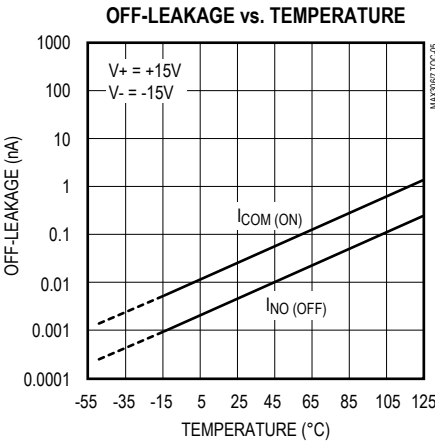
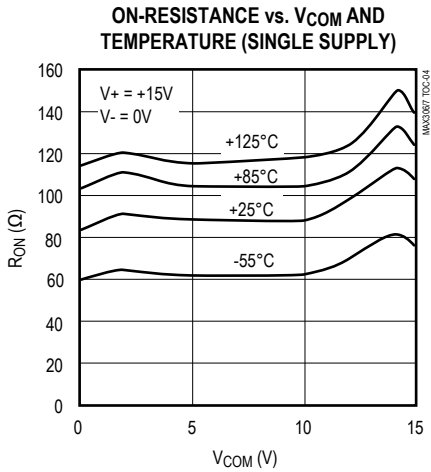
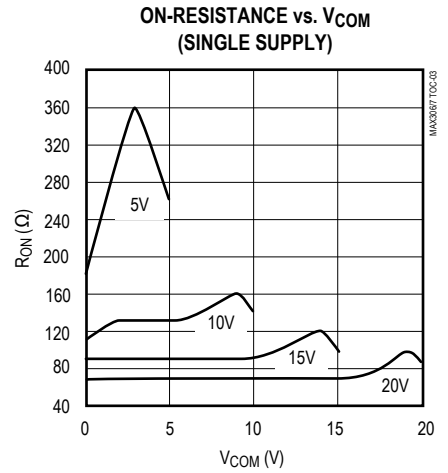
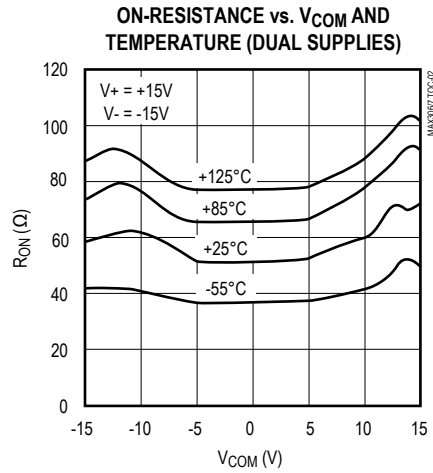
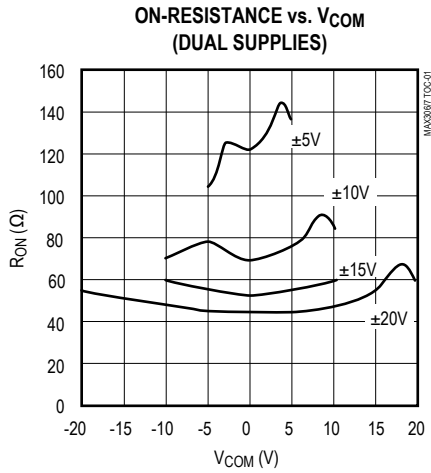
Note 4: $\Delta R_{ON} = R_{ON(MAX)} - R_{ON(MIN)}$. On-resistance match between channels and flatness are guaranteed only with specified voltages. Flatness is defined as the difference between the maximum and minimum value of on-resistance as measured at the extremes of the specified analog signal range.

Note 5: Leakage parameters are 100% tested at the maximum-rated hot temperature and guaranteed by correlation at +25°C.

Note 6: Off-isolation = $20 \log V_{COM}/V_{NO}$, where V_{COM} = output and V_{NO} = input to off switch.

Typical Operating Characteristics

($T_A = +25^\circ\text{C}$, unless otherwise noted.)



Pin Description

| MAX306 PIN | NAME | FUNCTION |
|------------|----------|--|
| 1 | V+ | Positive Supply Voltage Input |
| 2, 3, 13 | N.C. | No Connection. Not internally connected. |
| 4–11 | NO16–NO9 | Analog Inputs–bidirectional |
| 12 | GND | Ground |
| 14–17 | A3–A0 | Address Inputs |
| 18 | EN | Enable Inputs |
| 19–26 | NO1–NO8 | Analog Inputs–bidirectional |
| 27 | V- | Negative Supply Voltage Input |
| 28 | COM | Output–bidirectional |

| MAX307 PIN | NAME | FUNCTION |
|------------|------------|--|
| 1 | V+ | Positive Supply Voltage Input |
| 2 | COMB | Output B–bidirectional |
| 3, 13, 14 | N.C. | No Connection. Not internally connected. |
| 4–11 | NO8B–NO1B | Analog Inputs–bidirectional |
| 12 | GND | Ground |
| 15, 16, 17 | A2, A1, A0 | Address Inputs |
| 18 | EN | Enable Input |
| 19–26 | NO1A–NO8A | Analog Inputs–bidirectional |
| 27 | V- | Negative Supply Voltage Input |
| 28 | COMA | Output A–bidirectional |

Applications Information

Operation with Supply Voltages Other than ±15V

Using supply voltages other than ±15V will reduce the analog signal range. The MAX306/MAX307 switches operate with ±4.5V to ±20V bipolar supplies or with a +5V to +30V single supply; connect V- to GND when operating with a single supply. Also, both device types can operate with unbalanced supplies such as +24V and -5V. The [Typical Operating Characteristics](#) graphs show typical on-resistance with 20V, 15V, 10V, and 5V supplies. (Switching times increase for 5V operation, up to a maximum of 10µs.)

Overvoltage Protection

Proper power-supply sequencing is recommended for all CMOS devices. Do not exceed the absolute maximum ratings because stresses beyond the listed ratings may cause permanent damage to the devices. Always sequence V+ on first, then V-, followed by either the logic inputs, NO or COM. If power-supply sequencing is not possible, add two small-signal diodes in series with supply pins for overvoltage protection ([Figure 1](#)). Adding diodes reduces the analog signal range to 1V above

V+ and 1V below V-, but low switch resistance and low leakage characteristics are unaffected. Device operation is unchanged, and the difference between V+ and V- should not exceed +44V.

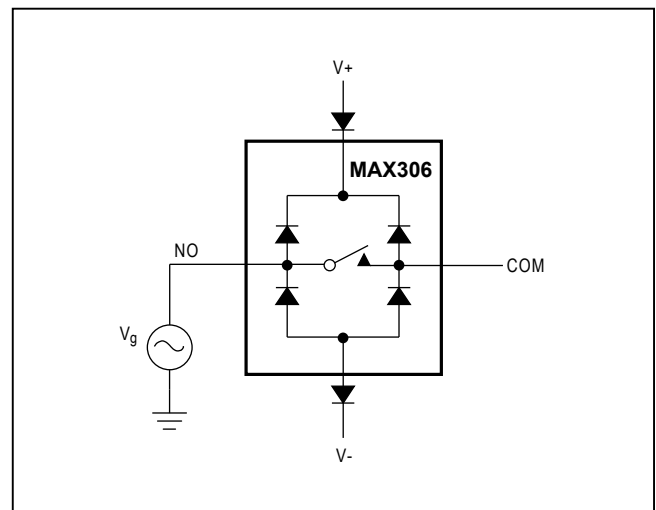


Figure 1. Overvoltage Protection Using External Blocking Diodes

Test Circuits/Timing Diagrams

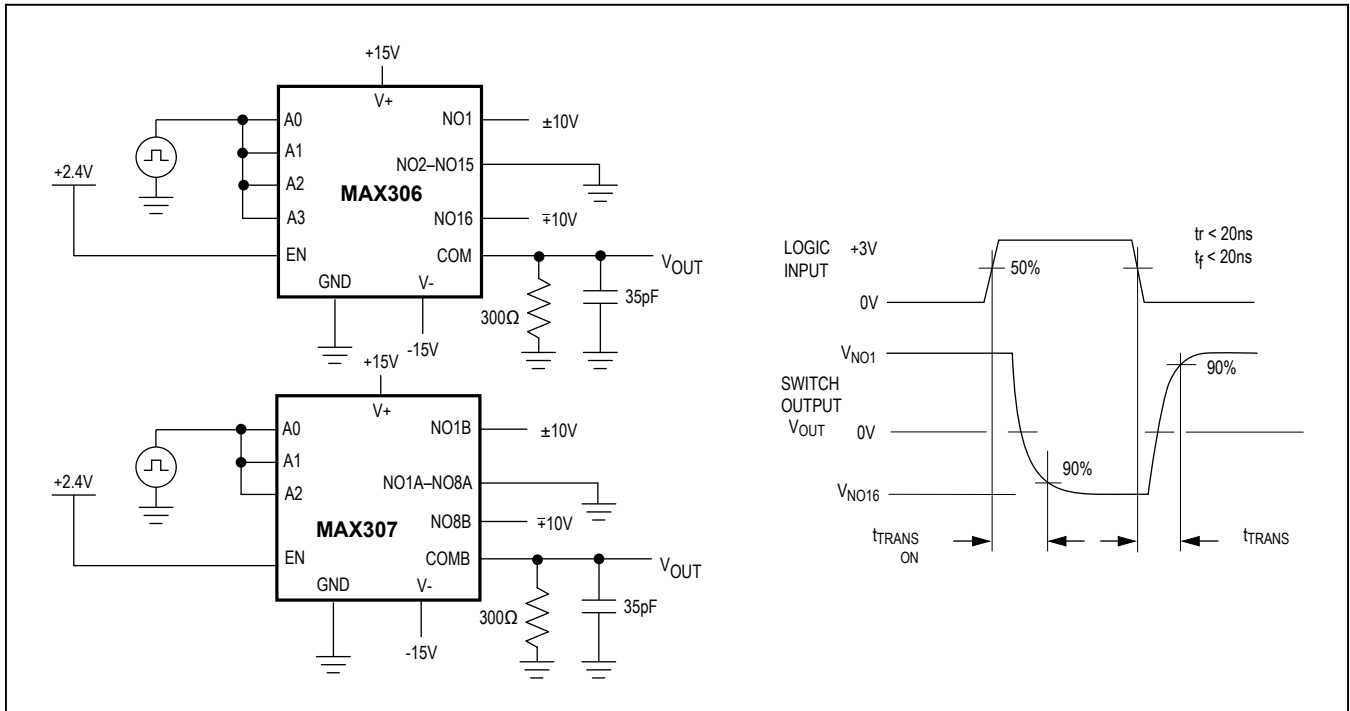


Figure 2. Transition Time

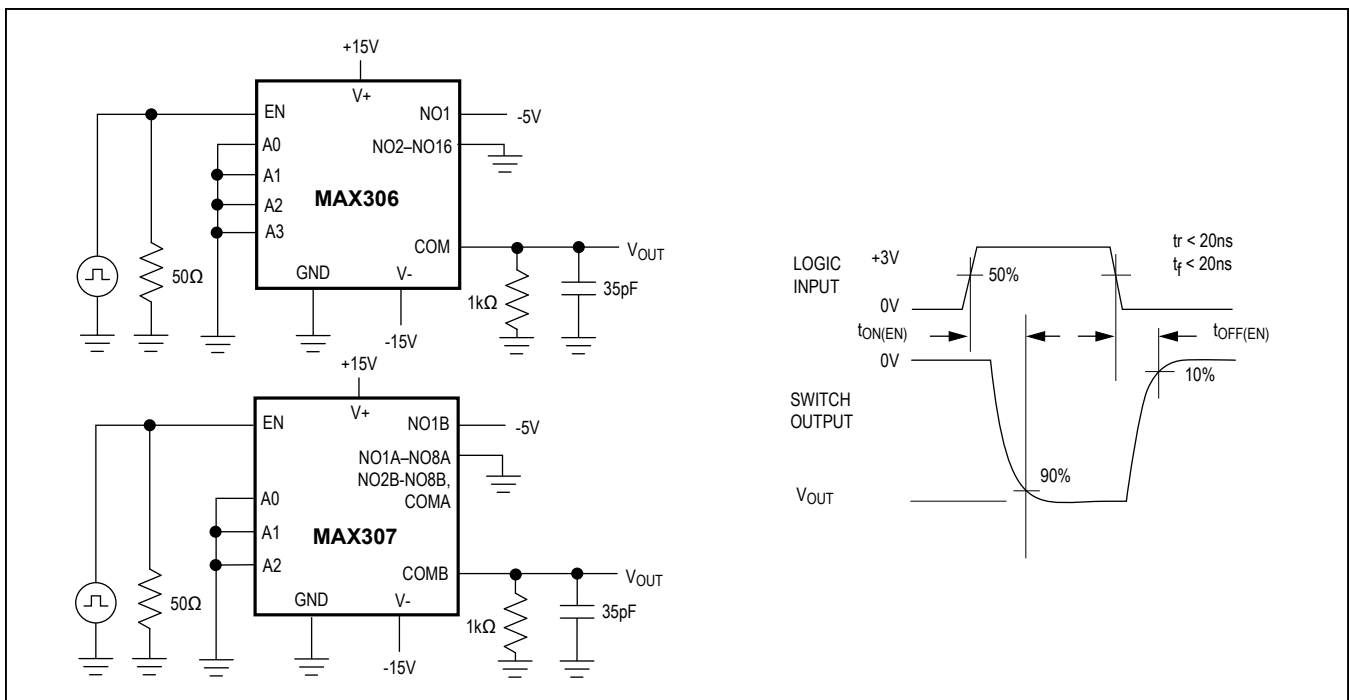


Figure 3. Enable Switching Time

Test Circuits/Timing Diagrams (continued)

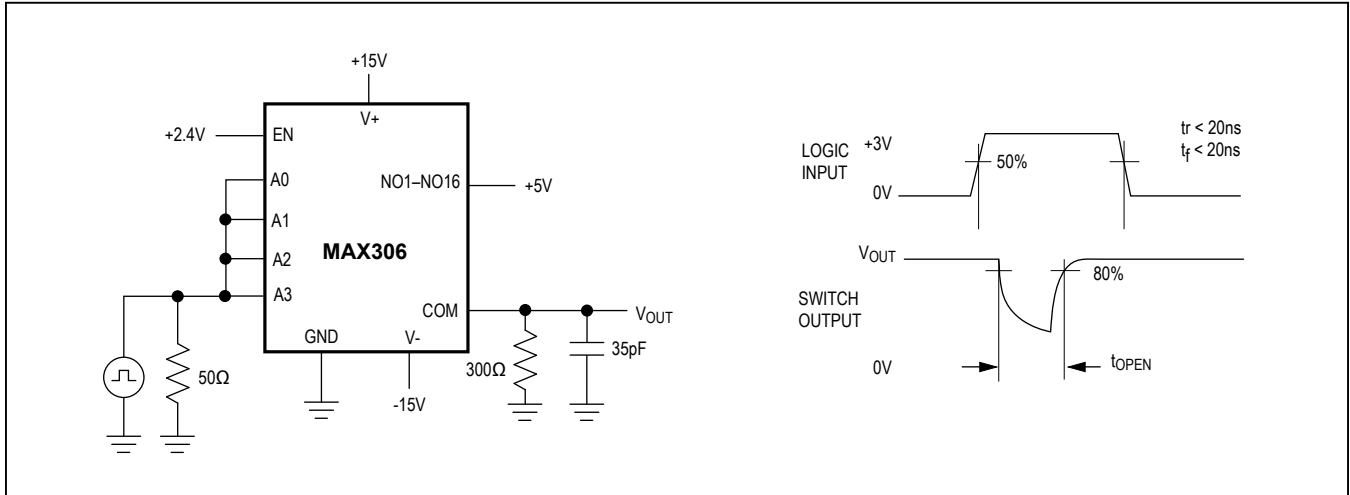


Figure 4. Break-Before-Make Interval

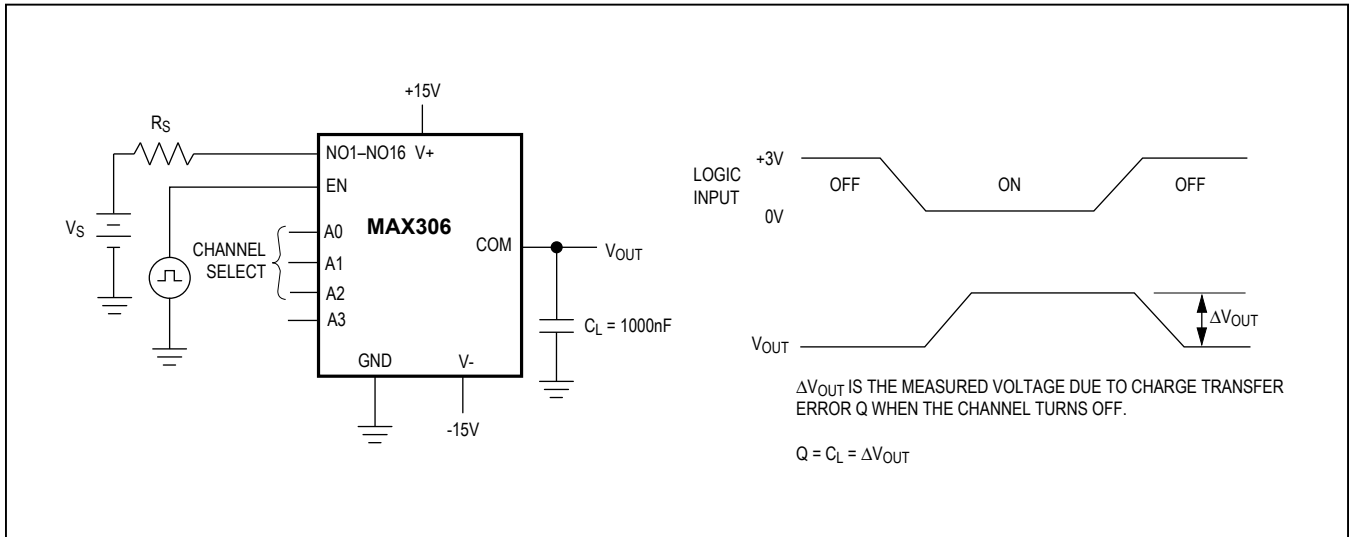


Figure 5. Charge Injection

Test Circuits/Timing Diagrams (continued)

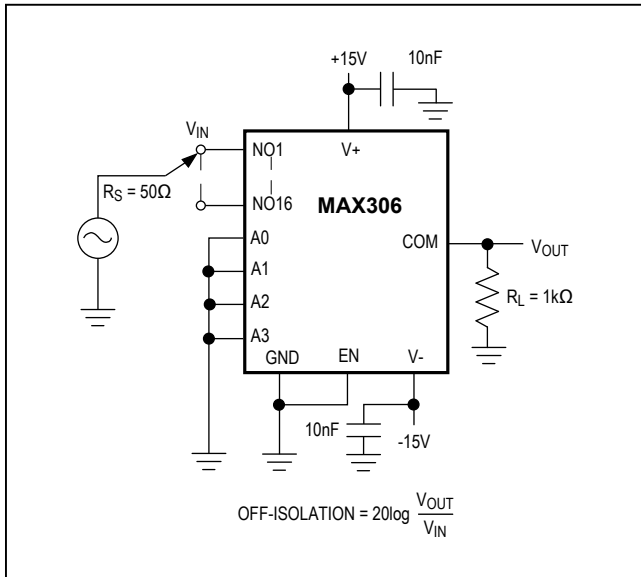


Figure 6. Off-Isolation

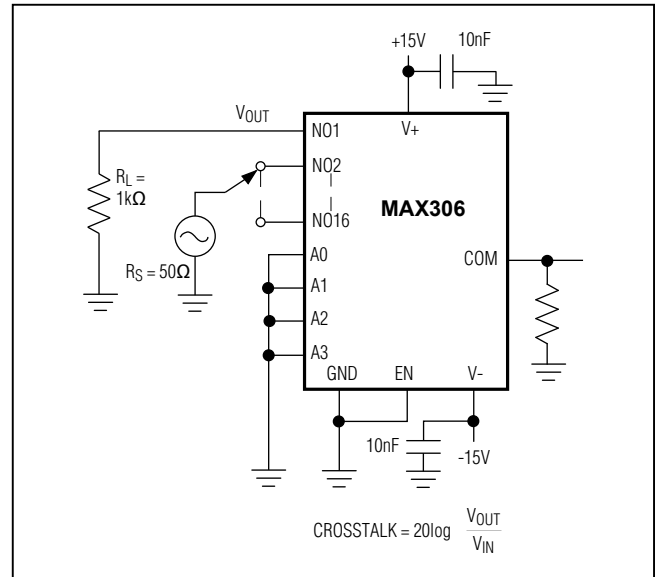


Figure 7. Crosstalk

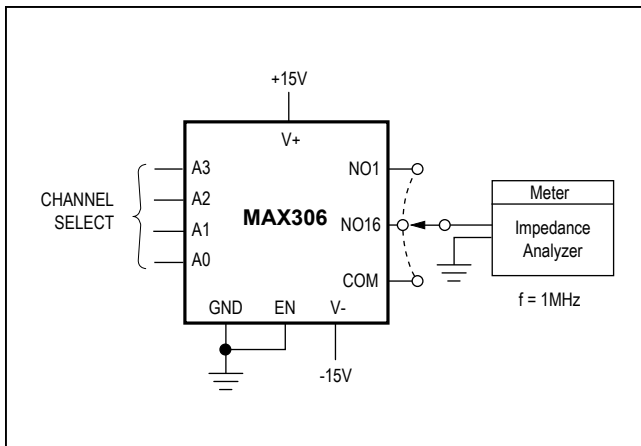


Figure 8. NO/COM Capacitance

Pin Configurations/Functional Diagrams/Truth Tables (continued)

TOP VIEW

MAX307

PDIP/SO

| A2 | A1 | A0 | EN | ON Switch |
|----|----|----|----|-----------|
| X | X | X | 0 | None |
| 0 | 0 | 0 | 1 | 1 |
| 0 | 0 | 1 | 1 | 2 |
| 0 | 1 | 0 | 1 | 3 |
| 0 | 1 | 1 | 1 | 4 |
| 1 | 0 | 0 | 1 | 5 |
| 1 | 0 | 1 | 1 | 6 |
| 1 | 1 | 0 | 1 | 7 |
| 1 | 1 | 1 | 1 | 8 |

MAX307

LOGIC "0" $V_{AL} \leq 0.8V$, LOGIC "1" = $V_{AH} \geq 2.4V$

TOP VIEW

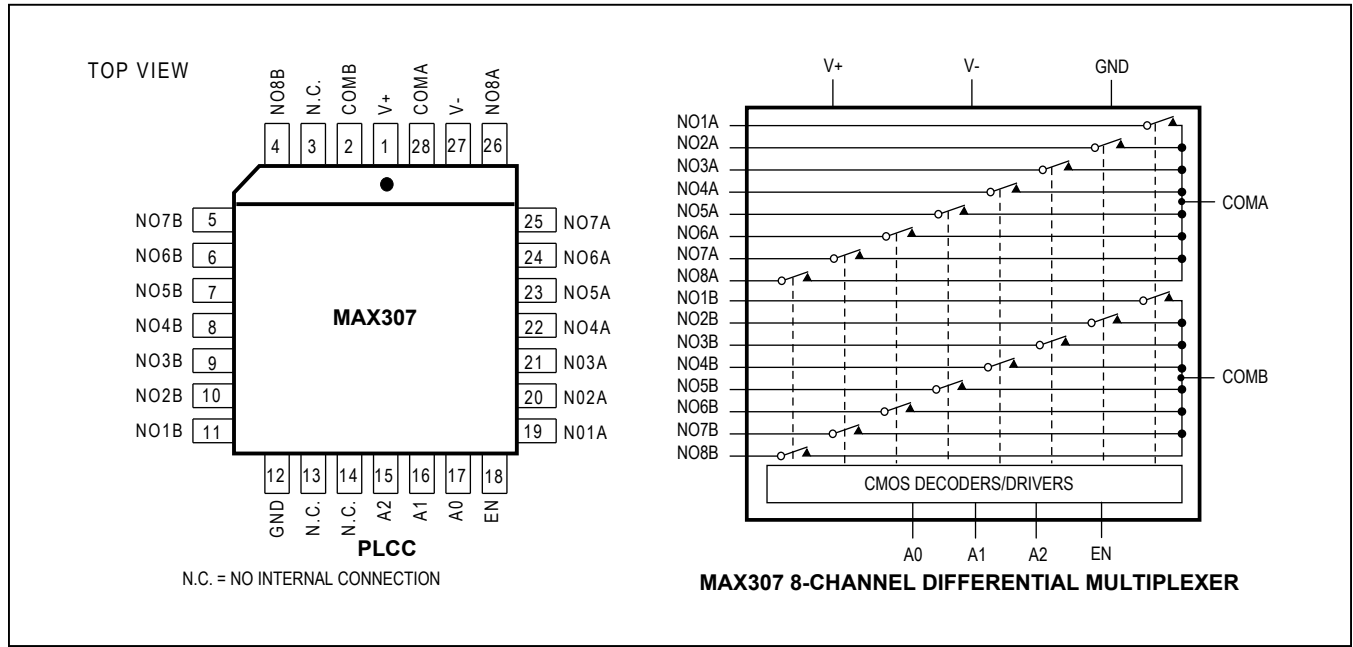
MAX306

PLCC

N.C. = NO INTERNAL CONNECTION

MAX306 16-CHANNEL SINGLE-ENDED MULTIPLEXER

Pin Configurations/Functional Diagrams/Truth Tables (continued)



Ordering Information (continued)

| PART | TEMP RANGE | PIN-PACKAGE |
|----------------|-----------------|-------------|
| MAX307CPI | 0°C to +70°C | 28 PDIP |
| MAX307CWI | 0°C to +70°C | 28 Wide SO |
| MAX307C/D | 0°C to +70°C | Dice* |
| MAX307EPI | -40°C to +85°C | 28 PDIP |
| MAX307EWI | -40°C to +85°C | 28 Wide SO |
| MAX307EQI | -40°C to +85°C | 28 PLCC |
| MAX307EUI | -40°C to +85°C | 28 TSSOP |
| MAX307MJI | -55°C to +125°C | 28 CERDIP |
| MAX307MWI/PR | -55°C to +125°C | 28 Wide SO |
| MAX307MWI/PR-T | -55°C to +125°C | 28 Wide SO |

*Contact factory for dice specifications.

Package Information

For the latest package outline information and land patterns (footprints), go to www.maximintegrated.com/packages. Note that a "+", "#", or "-" in the package code indicates RoHS status only. Package drawings may show a different suffix character, but the drawing pertains to the package regardless of RoHS status.

| PACKAGE TYPE | PACKAGE CODE | OUTLINE NO. | LAND PATTERN NO. |
|--------------|--------------|-------------------------|-------------------------|
| 28 PDIP | P28+3 | 21-0044 | — |
| 28 Wide SO | W28+6 | 21-0042 | 90-0109 |
| 28 PLCC | Q28+4 | 21-0049 | 90-0235 |
| 28 CDIP | J28-2 | 21-0046 | — |
| 28 TSSOP | U28+2 | 21-0066 | 90-0171 |

Revision History

| REVISION NUMBER | REVISION DATE | DESCRIPTION | PAGES CHANGED |
|-----------------|---------------|---|---------------|
| 3 | 3/10 | Changed the single-supply operating voltage minimum from +4.5V to +5V in the <i>General Description</i> , <i>Features</i> , and <i>Applications Information</i> sections. | 1, 6 |
| | | Added the soldering temperatures for all packages to the <i>Absolute Maximum Ratings</i> section. | 2 |
| 4 | 5/14 | Added MAX307MWI/PR and MAX307MWI/PR-T to the <i>Ordering Information</i> table. | 11 |
| 5 | 3/16 | Updated <i>Electrical Characteristics</i> table and Figure 2 | 3, 4, 6, 7 |

For pricing, delivery, and ordering information, please contact Maxim Direct at 1-888-629-4642, or visit Maxim Integrated's website at www.maximintegrated.com.

Maxim Integrated cannot assume responsibility for use of any circuitry other than circuitry entirely embodied in a Maxim Integrated product. No circuit patent licenses are implied. Maxim Integrated reserves the right to change the circuitry and specifications without notice at any time. The parametric values (min and max limits) shown in the *Electrical Characteristics* table are guaranteed. Other parametric values quoted in this data sheet are provided for guidance.



Компания «ЭлектроПласт» предлагает заключение долгосрочных отношений при поставках импортных электронных компонентов на взаимовыгодных условиях!

Наши преимущества:

- Оперативные поставки широкого спектра электронных компонентов отечественного и импортного производства напрямую от производителей и с крупнейших мировых складов;
- Поставка более 17-ти миллионов наименований электронных компонентов;
- Поставка сложных, дефицитных, либо снятых с производства позиций;
- Оперативные сроки поставки под заказ (от 5 рабочих дней);
- Экспресс доставка в любую точку России;
- Техническая поддержка проекта, помощь в подборе аналогов, поставка прототипов;
- Система менеджмента качества сертифицирована по Международному стандарту ISO 9001;
- Лицензия ФСБ на осуществление работ с использованием сведений, составляющих государственную тайну;
- Поставка специализированных компонентов (Xilinx, Altera, Analog Devices, Intersil, Interpoint, Microsemi, Aeroflex, Peregrine, Syfer, Eurofarad, Texas Instrument, Miteq, Cobham, E2V, MA-COM, Hittite, Mini-Circuits, General Dynamics и др.);

Помимо этого, одним из направлений компании «ЭлектроПласт» является направление «Источники питания». Мы предлагаем Вам помощь Конструкторского отдела:

- Подбор оптимального решения, техническое обоснование при выборе компонента;
- Подбор аналогов;
- Консультации по применению компонента;
- Поставка образцов и прототипов;
- Техническая поддержка проекта;
- Защита от снятия компонента с производства.



Как с нами связаться

Телефон: 8 (812) 309 58 32 (многоканальный)

Факс: 8 (812) 320-02-42

Электронная почта: org@eplast1.ru

Адрес: 198099, г. Санкт-Петербург, ул. Калинина, дом 2, корпус 4, литера А.