

# MAX6069

# 1 $\mu$ A Ultra-Tiny Shunt Voltage Reference

## General Description

The MAX6069 ultra-low-power shunt references are ideal for space-critical and low-power applications. They are offered in a 4-bump wafer-level package (WLP), and the minimum operating current is guaranteed to be less than 1 $\mu$ A. These references feature low temperature coefficients of less than 20ppm/ $^{\circ}$ C and initial accuracy of better than 0.2%.

Available with +1.25V, +2.048V, +2.5V, and 3V output voltages, these references can be used as lower-power, higher-precision upgrades to the ICL8069, LM385, LT1004, and LM4040 in much smaller packages. Two grades are available: A and B. The A grade features a temperature coefficient of 25ppm/ $^{\circ}$ C over the extended temperature range of -40 $^{\circ}$ C to +85 $^{\circ}$ C, with an initial accuracy of 0.2%. Grade B features a temperature coefficient of 50ppm/ $^{\circ}$ C over the extended temperature range of -40 $^{\circ}$ C to +85 $^{\circ}$ C, with an initial accuracy of 0.5%. Their tiny wafer-level packages make these references ideal for equipment with very small form factors.

## Applications

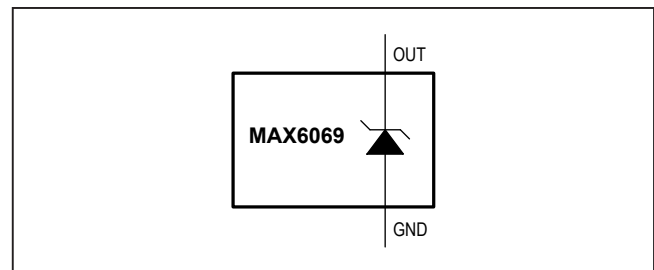
- Portable Sensors
- Portable Meters
- Precision Regulators
- A/D and D/A Converters
- 4mA–20mA Loop-Powered Sensors

## Benefits and Features

- Wide Operating Current Range: 1 $\mu$ A to 2mA
- 0.88mm x 1.16mm, 4-Bump WLP
- Initial Voltage Accuracy: 0.2%
- Temperature Coefficient: 20ppm/ $^{\circ}$ C (max)
- Temperature Range: -40 $^{\circ}$ C to +125 $^{\circ}$ C
- Factory-Trimmed Output Voltages: +1.25V, +2.048V, +2.5V, +3.0V
- Functionally Equivalent to the MAX6006/MAX6007/MAX6008/MAX6009

*Ordering Information appears at end of data sheet.*

## Simplified Block Diagram



### Absolute Maximum Ratings

Operating Current (OUT to GND) .....	20mA	Operating Temperature Range.....	-40°C to +125°C
Forward Current (GND to OUT).....	20mA	Storage Temperature Range.....	-65°C to +150°C
Continuous Power Dissipation (Multilayer Board; derate 9.75mW/°C above +70°C).....	780mW	Junction Temperature.....	+150°C
		Soldering Temperature (reflow).....	+260°C

Stresses beyond those listed under "Absolute Maximum Ratings" may cause permanent damage to the device. These are stress ratings only, and functional operation of the device at these or any other conditions beyond those indicated in the operational sections of the specifications is not implied. Exposure to absolute maximum rating conditions for extended periods may affect device reliability.

### Package Information

#### WLP

Package Code	W40D1+1
Outline Number	<a href="#">21-100139</a>
Land Pattern Number	Refer to <a href="#">Application Note 1891</a>
<b>Thermal Resistance, Four-Layer Board:</b>	
Junction-to-Ambient ( $\theta_{JA}$ )	102.59°C/W
Junction-to-Case ( $\theta_{JC}$ )	N/A

For the latest package outline information and land patterns (footprints), go to [www.maximintegrated.com/packages](http://www.maximintegrated.com/packages). Note that a "+", "#", or "-" in the package code indicates RoHS status only. Package drawings may show a different suffix character, but the drawing pertains to the package regardless of RoHS status.

Package thermal resistances were obtained using the method described in JEDEC specification JESD51-7, using a four-layer board. For detailed information on package thermal considerations, refer to [www.maximintegrated.com/thermal-tutorial](http://www.maximintegrated.com/thermal-tutorial).

### Electrical Characteristics

( $T_A = -40^\circ\text{C}$  to  $+125^\circ\text{C}$ , unless otherwise noted., Typical values are at  $T_A = +25^\circ\text{C}$ . (Note 1))

PARAMETER	SYMBOL	CONDITIONS	MIN	TYP	MAX	UNITS	
<b>MAX6069A (1.250V)</b>							
Reverse Breakdown Voltage	$V_R$	$T_A = +25^\circ\text{C}$ , $I_R = 1.2\mu\text{A}$	MAX6069AA (0.2%)	1.2475	1.2500	1.2525	V
			MAX6069AB (0.5%)	1.2438	1.2500	1.2563	
Minimum Operating Current	$I_{RMIN}$	$V_R$ change < 0.2% from $V_R$ at $I_R = 1.2\mu\text{A}$		0.5	1.0	$\mu\text{A}$	
Reverse Breakdown Change with Current		$I_R = 1.2\mu\text{A}$ to $200\mu\text{A}$			1	mV	
		$I_R = 200\mu\text{A}$ to $2\text{mA}$			2.0		
Reverse Dynamic Impedance		$I_R = 1.2\mu\text{A}$ to $2\text{mA}$ (Note 2)			1.5	$\Omega$	
Low-Frequency Noise		$I_R = 1.2\mu\text{A}$ , $f = 0.1\text{Hz}$ to $10\text{Hz}$		30		$\mu\text{Vp-p}$	

## Electrical Characteristics (continued)

(T<sub>A</sub> = -40°C to +125°C, unless otherwise noted., Typical values are at T<sub>A</sub> = +25°C. (Note 1))

PARAMETER	SYMBOL	CONDITIONS		MIN	TYP	MAX	UNITS
Temperature Coefficient (Note 3)	TC	I <sub>R</sub> = 1.2µA, MAX6069AA	T <sub>A</sub> = -40°C to +85°C			20	ppm/°C
		I <sub>R</sub> = 1.2µA, MAX6069AA	T <sub>A</sub> = -40°C to +125°C			25	
		I <sub>R</sub> = 1.2µA, MAX6069AB	T <sub>A</sub> = -40°C to +85°C			50	
		I <sub>R</sub> = 1.2µA, MAX6069AB	T <sub>A</sub> = -40°C to +125°C			75	
Long-Term Drift		1000h at T <sub>A</sub> = +25°C			150		ppm
Thermal Hysteresis (Note 4)					200		ppm
<b>MAX6069B (2.048V)</b>							
Reverse Breakdown Voltage	V <sub>R</sub>	T <sub>A</sub> = +25°C, I <sub>R</sub> = 1.2µA	MAX6069BA (0.2%)	2.0439	2.048	2.0521	V
			MAX6069BB (0.5%)	2.0378	2.048	2.0582	
Minimum Operating Current	I <sub>RMIN</sub>	V <sub>R</sub> change < 0.2% from V <sub>R</sub> at I <sub>R</sub> = 1.2µA			0.5	1.0	µA
Reverse Breakdown Change with Current		I <sub>R</sub> = 1.2µA to 200µA				1.3	mV
		I <sub>R</sub> = 200µA to 2mA				2.3	
Reverse Dynamic Impedance		I <sub>R</sub> = 1.2µA to 2mA (Note 2)				1.8	Ω
Low-Frequency Noise		I <sub>R</sub> = 1.2µA, f = 0.1Hz to 10Hz			50		µVp-p
Temperature Coefficient (Note 3)	TC	I <sub>R</sub> = 1.2µA, MAX6069BA	T <sub>A</sub> = -40°C to +85°C			20	ppm/°C
Temperature Coefficient (Note 3)	TC	I <sub>R</sub> = 1.2µA, MAX6069BA	T <sub>A</sub> = -40°C to +125°C			25	ppm/°C
Temperature Coefficient (Note 3)	TC	I <sub>R</sub> = 1.2µA, MAX6069BB	T <sub>A</sub> = -40°C to +85°C			50	ppm/°C
Temperature Coefficient (Note 3)	TC	I <sub>R</sub> = 1.2µA, MAX6069BB	T <sub>A</sub> = -40°C to +125°C			75	ppm/°C
Long-Term Drift		1000h at T <sub>A</sub> = +25°C			150		ppm
Thermal Hysteresis (Note 4)					200		ppm
<b>MAX6069C (2.500V)</b>							
Reverse Breakdown Voltage	V <sub>R</sub>	T <sub>A</sub> = +25°C, I <sub>R</sub> = 1.2µA	MAX6069CA (0.2%)	2.4950	2.5000	2.5050	V
			MAX6069CB (0.5%)	2.4875	2.5000	2.5125	
Minimum Operating Current	I <sub>RMIN</sub>	V <sub>R</sub> change < 0.2% from V <sub>R</sub> at I <sub>R</sub> = 1.2µA			0.5	1.0	µA
Reverse Breakdown Change with Current		I <sub>R</sub> = 1.2µA to 200µA				1.5	mV
		I <sub>R</sub> = 200µA to 2mA				2.5	
Reverse Dynamic Impedance		I <sub>R</sub> = 1.2µA to 2mA (Note 2)				2	Ω

## Electrical Characteristics (continued)

( $T_A = -40^\circ\text{C}$  to  $+125^\circ\text{C}$ , unless otherwise noted., Typical values are at  $T_A = +25^\circ\text{C}$ . (Note 1))

PARAMETER	SYMBOL	CONDITIONS		MIN	TYP	MAX	UNITS
Low-Frequency Noise		$I_R = 1.2\mu\text{A}$ , $f = 0.1\text{Hz}$ to $10\text{Hz}$			60		$\mu\text{Vp-p}$
Temperature Coefficient (Note 3)	TC	$I_R = 1.2\mu\text{A}$ , MAX6069CA	$T_A = -40^\circ\text{C}$ to $+85^\circ\text{C}$			20	ppm/ $^\circ\text{C}$
			$T_A = -40^\circ\text{C}$ to $+125^\circ\text{C}$			25	
		$I_R = 1.2\mu\text{A}$ , MAX6069CB	$T_A = -40^\circ\text{C}$ to $+85^\circ\text{C}$			50	
			$T_A = -40^\circ\text{C}$ to $+125^\circ\text{C}$			75	
Long-Term Drift		1000h at $T_A = +25^\circ\text{C}$			150		ppm
Thermal Hysteresis (Note 4)					200		ppm
<b>MAX6069D (3.00V)</b>							
Reverse Breakdown Voltage	$V_R$	$T_A = +25^\circ\text{C}$ , $I_R = 1.2\mu\text{A}$	MAX6069DA (0.2%)	2.9940	3.0000	3.0060	V
			MAX6069DB (0.5%)	2.9850	3.0000	3.0150	
Minimum Operating Current	$I_{R\text{MIN}}$	$V_R$ change $< 0.2\%$ from $V_R$ at $I_R = 1.2\mu\text{A}$			0.5	1.0	$\mu\text{A}$
Reverse Breakdown Change with Current		$I_R = 1.2\mu\text{A}$ to $200\mu\text{A}$				1.7	mV
		$I_R = 200\mu\text{A}$ to $2\text{mA}$				2.7	
Reverse Dynamic Impedance		$I_R = 1.2\mu\text{A}$ to $2\text{mA}$ (Note 2)				2.2	$\Omega$
Low-Frequency Noise		$I_R = 1.2\mu\text{A}$ , $f = 0.1\text{Hz}$ to $10\text{Hz}$			75		$\mu\text{Vp-p}$
Temperature Coefficient (Note 3)	TC	$I_R = 1.2\mu\text{A}$ , MAX6069DA	$T_A = -40^\circ\text{C}$ to $+85^\circ\text{C}$			20	ppm/ $^\circ\text{C}$
			$T_A = -40^\circ\text{C}$ to $+125^\circ\text{C}$			25	
		$I_R = 1.2\mu\text{A}$ , MAX6069DB	$T_A = -40^\circ\text{C}$ to $+85^\circ\text{C}$			50	
			$T_A = -40^\circ\text{C}$ to $+125^\circ\text{C}$			75	
Long-Term Drift		1000h at $T_A = +25^\circ\text{C}$			150		ppm
Thermal Hysteresis (Note 4)					200		ppm

**Note 1:** All units are 100% production tested at  $T_A = +25^\circ\text{C}$  and are guaranteed by design and characterization for  $T_A = T_{\text{MIN}}$  to  $T_{\text{MAX}}$ , as specified.

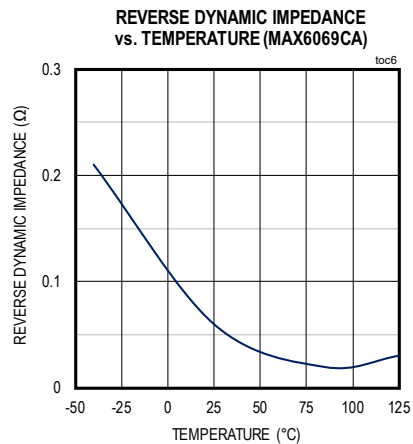
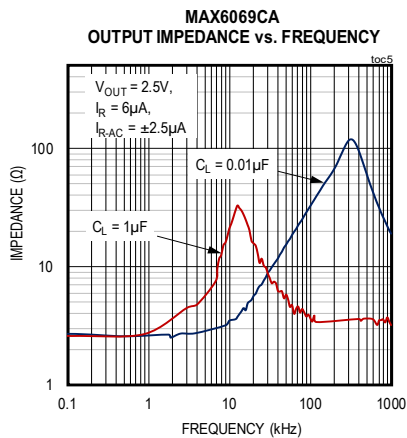
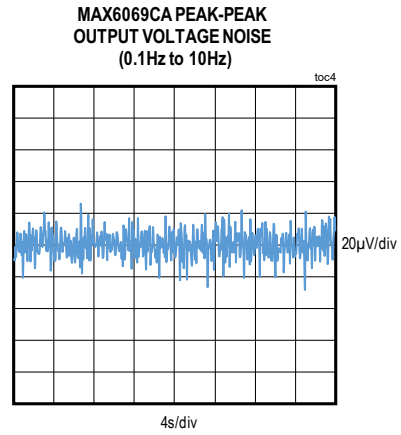
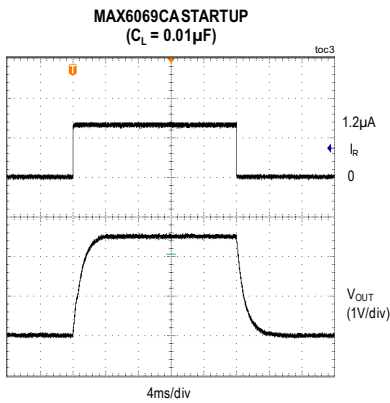
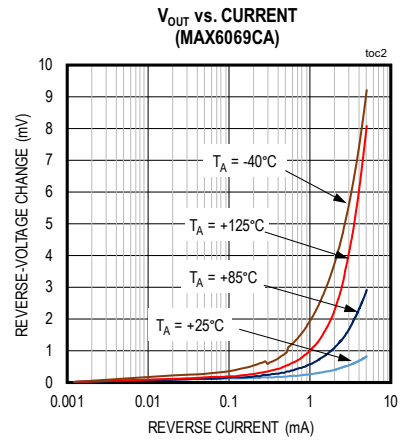
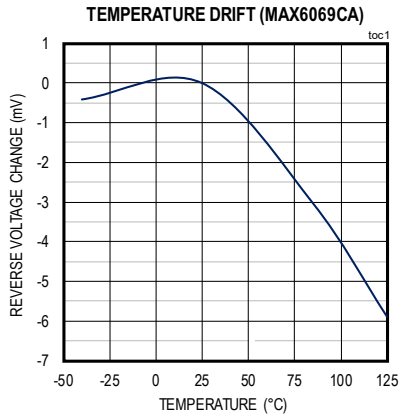
**Note 2:** This parameter is guaranteed by the "reverse breakdown change with current" test.

**Note 3:** TC is measured by the "box" method; i.e.,  $(V_{\text{MAX}} - V_{\text{MIN}})/(T_{\text{MAX}} - T_{\text{MIN}})$ .

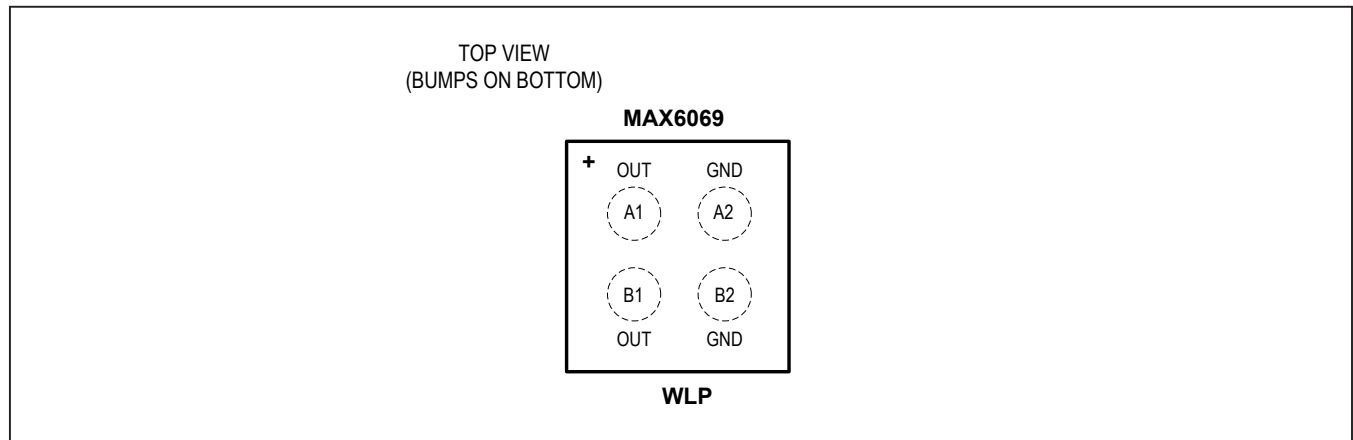
**Note 4:** Thermal hysteresis is defined as the change in the  $+25^\circ\text{C}$  output voltage after cycling a unit from  $T_{\text{MIN}}$  to  $T_{\text{MAX}}$ .

Typical Operating Characteristics

( $T_A = +25^\circ\text{C}$ , unless otherwise noted.)



## Pin Configuration



## Pin Description

PIN	NAME	FUNCTION
A1	OUT	Output Voltage. Bias OUT with a pullup resistor to a potential greater than OUT. Bypass OUT to GND with a 0.01µF or larger capacitor.
A2	GND	Ground
B1	OUT	Output Voltage. B1 is shorted to A1 internally.
B2	GND	Ground. B2 is shorted to A2 internally.

## Detailed Description

The MAX6069 family consists of precision, two-terminal, shunt bandgap voltage references. On-chip, thin-film resistors are laser-trimmed to provide 0.2% output voltage accuracies. Voltages of +1.25V, +2.048V, +2.5V, and +3.0V are available in a space-saving 4-bump WLP.

## Applications Information

### Output/Load Capacitance

Bypass OUT to GND with a 0.01µF or larger capacitor. In applications where the load or the supply can experience step changes, additional capacitance will reduce the amount of overshoot (or undershoot) and assist the circuit's transient response.

### Output Voltage Hysteresis

Output voltage hysteresis is the change in the output voltage at  $T_A = +25^\circ\text{C}$  before and after the device is cycled over its entire operating temperature range. Hysteresis is caused by differential package stress appearing across the bandgap core transistors. The temperature hysteresis value is typically less than 200ppm.

### Turn-On Time

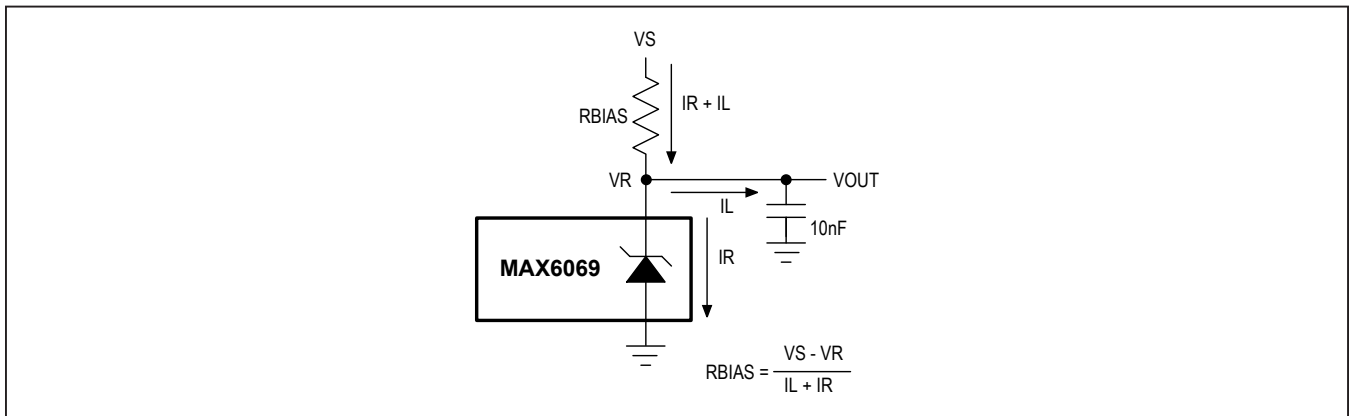
The output capacitance and bias current of the MAX6069 greatly affect turn-on settling time. In the *Typical Operating Characteristics*, turn-on time is shown with a 10nF output capacitor and a 1.2µA bias current. Under these conditions, the MAX6069 settles in about 4ms. Settling time linearly decreases in proportion to the circuit's bias current.

**Typical Application Circuits**

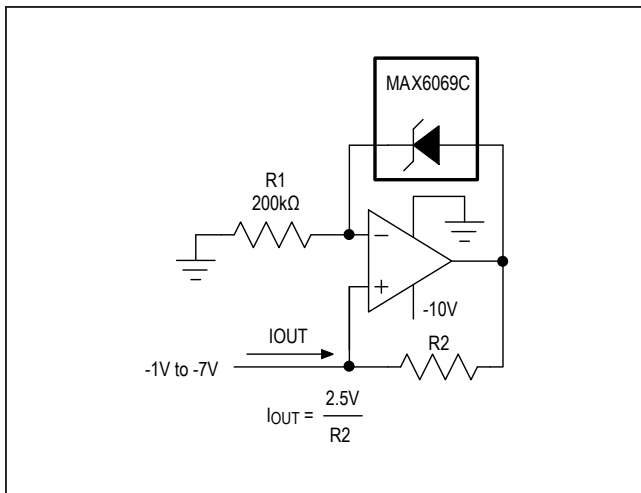
**Shunt Regulator Connection**

In the typical shunt regulator connection shown here,  $R_{BIAS}$  sets the current through the load ( $I_L$ ) and the current through the shunt regulator ( $I_R$ ). There are two worst-case situations that  $R_{BIAS}$  needs to be sized for:

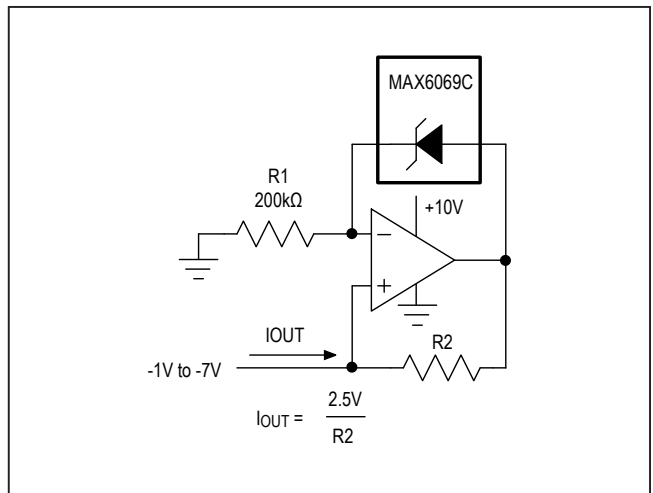
- 1)  $R_{BIAS}$  must be small enough that when  $V_S$  (supply voltage) is at its minimum and  $I_L$  is at its maximum,  $I_R$  is equal to at least the minimum operating current of the shunt regulator.
- 2)  $R_{BIAS}$  must be large enough that when  $V_S$  is at its maximum and  $I_L$  is at its minimum,  $I_R$  is  $< 2\text{mA}$ .



**Precision Current Sink**



**Precision Current Sink**



## Ordering Information

PART NUMBER	OUTPUT VOLTAGE (V)	INITIAL ACCURACY (%)	TEMP COEFFICIENT (PPM/°C)	PIN-PACKAGE	TOP MARK
MAX6069AAAWS+*	1.250	0.2	20	4 WLP	+AM
MAX6069AAAWS+T*	1.250	0.2	20	4 WLP	+AM
MAX6069ABAWS+*	1.250	0.5	50	4 WLP	+AN
MAX6069ABAWS+T*	1.250	0.5	50	4 WLP	+AN
MAX6069BAAWS+*	2.048	0.2	20	4 WLP	+AO
MAX6069BAAWS+T*	2.048	0.2	20	4 WLP	+AO
MAX6069BBAWS+*	2.048	0.5	50	4 WLP	+AP
MAX6069BBAWS+T*	2.048	0.5	50	4 WLP	+AP
MAX6069CAAWS+	2.500	0.2	20	4 WLP	+AQ
MAX6069CAAWS+T	2.500	0.2	20	4 WLP	+AQ
MAX6069CBAWS+	2.500	0.5	50	4 WLP	+AR
MAX6069CBAWS+T	2.500	0.5	50	4 WLP	+AR
MAX6069DAAWS+*	3.000	0.2	20	4 WLP	+AS
MAX6069DAAWS+T*	3.000	0.2	20	4 WLP	+AS
MAX6069DBAWS+*	3.000	0.5	50	4 WLP	+AT
MAX6069DBAWS+T*	3.000	0.5	50	4 WLP	+AT

+Denotes a lead(Pb)-free/RoHS-compliant package.

T = Tape and reel.

\*Future product—contact factory for availability.



## Revision History

REVISION NUMBER	REVISION DATE	DESCRIPTION	PAGES CHANGED
0	6/17	Initial release	—

For pricing, delivery, and ordering information, please contact Maxim Direct at 1-888-629-4642, or visit Maxim Integrated's website at [www.maximintegrated.com](http://www.maximintegrated.com).

*Maxim Integrated cannot assume responsibility for use of any circuitry other than circuitry entirely embodied in a Maxim Integrated product. No circuit patent licenses are implied. Maxim Integrated reserves the right to change the circuitry and specifications without notice at any time. The parametric values (min and max limits) shown in the Electrical Characteristics table are guaranteed. Other parametric values quoted in this data sheet are provided for guidance.*



Компания «ЭлектроПласт» предлагает заключение долгосрочных отношений при поставках импортных электронных компонентов на взаимовыгодных условиях!

Наши преимущества:

- Оперативные поставки широкого спектра электронных компонентов отечественного и импортного производства напрямую от производителей и с крупнейших мировых складов;
- Поставка более 17-ти миллионов наименований электронных компонентов;
- Поставка сложных, дефицитных, либо снятых с производства позиций;
- Оперативные сроки поставки под заказ (от 5 рабочих дней);
- Экспресс доставка в любую точку России;
- Техническая поддержка проекта, помощь в подборе аналогов, поставка прототипов;
- Система менеджмента качества сертифицирована по Международному стандарту ISO 9001;
- Лицензия ФСБ на осуществление работ с использованием сведений, составляющих государственную тайну;
- Поставка специализированных компонентов (Xilinx, Altera, Analog Devices, Intersil, Interpoint, Microsemi, Aeroflex, Peregrine, Syfer, Eurofarad, Texas Instrument, Miteq, Cobham, E2V, MA-COM, Hittite, Mini-Circuits, General Dynamics и др.);

Помимо этого, одним из направлений компании «ЭлектроПласт» является направление «Источники питания». Мы предлагаем Вам помощь Конструкторского отдела:

- Подбор оптимального решения, техническое обоснование при выборе компонента;
- Подбор аналогов;
- Консультации по применению компонента;
- Поставка образцов и прототипов;
- Техническая поддержка проекта;
- Защита от снятия компонента с производства.



#### Как с нами связаться

**Телефон:** 8 (812) 309 58 32 (многоканальный)

**Факс:** 8 (812) 320-02-42

**Электронная почта:** [org@eplast1.ru](mailto:org@eplast1.ru)

**Адрес:** 198099, г. Санкт-Петербург, ул. Калинина, дом 2, корпус 4, литера А.