

## Memory Module Temperature Sensor w/EEPROM for SPD

### Features:

- Temperature Sensor + 256 Byte Serial EEPROM
- EEPROM for Serial Presence Detect (SPD)
- Optimized for Voltage Range: 3.0V to 3.6V
- Shutdown/Standby Current: 3  $\mu$ A (maximum)
- 2-wire Interface: I<sup>2</sup>C™/SMBus Compatible
- Available Packages: DFN-8, TDFN-8, UDFN-8, TSSOP-8

### Temperature Sensor Features:

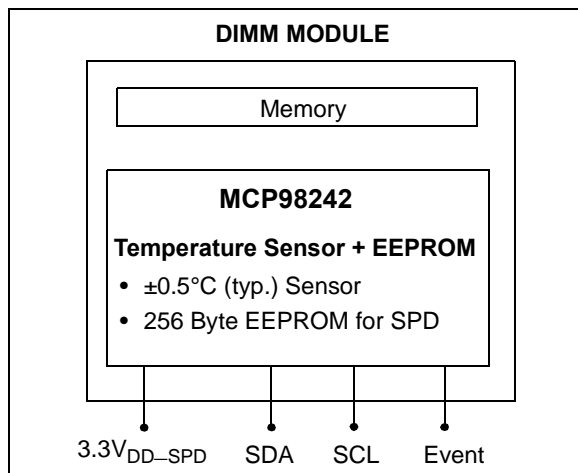
- Temperature-to-Digital Converter
- Operating Current: 200  $\mu$ A (typical)
- Accuracy:
  - $\pm 0.5^{\circ}\text{C}/\pm 1^{\circ}\text{C}$  (typ./max.)  $\rightarrow$   $+75^{\circ}\text{C}$  to  $+95^{\circ}\text{C}$
  - $\pm 1^{\circ}\text{C}/\pm 2^{\circ}\text{C}$  (typ./max.)  $\rightarrow$   $+40^{\circ}\text{C}$  to  $+125^{\circ}\text{C}$
  - $\pm 2^{\circ}\text{C}/\pm 3^{\circ}\text{C}$  (typ./max.)  $\rightarrow$   $-20^{\circ}\text{C}$  to  $+125^{\circ}\text{C}$

### Serial EEPROM Features:

- Operating Current:
  - Write  $\rightarrow$  1.1 mA (typical) for 3.5 ms (typical)
  - Read  $\rightarrow$  100  $\mu$ A (typical)
- Permanent and Reversible Software Write-Protect
- Software Write Protection for the Lower 128 Bytes
- Organized as 1 Block of 256 Bytes (256x8)

### Typical Applications:

- DIMM Modules
- Laptops, Personal Computers and Servers
- Hard Disk Drives and Other PC Peripherals



### Description:

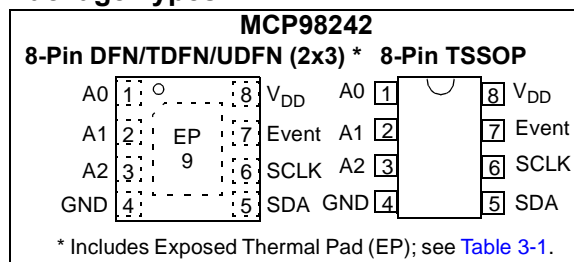
Microchip Technology Inc.'s MCP98242 digital temperature sensor converts temperature from  $-40^{\circ}\text{C}$  and  $+125^{\circ}\text{C}$  to a digital word. This sensor meets JEDEC Specification JC42.4 Mobile Platform Memory Module Thermal Sensor Component. It provides an accuracy of  $\pm 0.5^{\circ}\text{C}/\pm 1^{\circ}\text{C}$  (typical/maximum) from  $+75^{\circ}\text{C}$  to  $+95^{\circ}\text{C}$ . In addition, this device has an internal 256 Byte EEPROM which can be used to store memory module and vendor information.

The MCP98242 digital temperature sensor comes with user-programmable registers that provide flexibility for DIMM temperature-sensing applications. The registers allow user-selectable settings such as Shutdown or Low-Power modes and the specification of temperature event and critical output boundaries. When the temperature changes beyond the specified boundary limits, the MCP98242 outputs an Event signal. The user has the option of setting the Event output signal polarity as either an active-low or active-high comparator output for thermostat operation, or as a temperature event interrupt output for microprocessor-based systems. The Event output can also be configured as a critical temperature output.

The EEPROM is designed specifically for DRAM DIMMs (Dual In-line Memory Modules) Serial Presence Detect (SPD). The lower 128 bytes (address 00h to 7Fh) can be Permanent Write-Protected (PWP) or Software Reversible Write-Protected (SWP). This allows DRAM vendor and product information to be stored and write-protected. The upper 128 bytes (address 80h to FFh) can be used for general purpose data storage. These addresses are not write-protected.

This sensor has an industry standard 2-wire, I<sup>2</sup>C/SMBus compatible serial interface, allowing up to eight devices to be controlled in a single serial bus. To maintain interchangeability with the I<sup>2</sup>C/SMBus interface the electrical specifications are specified with the operating voltage of 3.0V to 3.6V. In addition, a 40 ms (typical) time out is implemented.

### Package Types



# MCP98242

---

Notes:

## 1.0 ELECTRICAL CHARACTERISTICS

### Absolute Maximum Ratings †

$V_{DD}$ .....	6.0V
Voltage at all Input/Output pins .....	GND – 0.3V to 6.0V
Pin A0 .....	GND – 0.3V to 12.5V
Storage temperature .....	-65°C to +150°C
Ambient temp. with power applied .....	-40°C to +125°C
Junction Temperature ( $T_J$ ) .....	+150°C
ESD protection on all pins (HBM:MM) .....	(4 kV:300V)
Latch-Up Current at each pin (+25°C) .....	±200 mA

†**Notice:** Stresses above those listed under “Maximum ratings” may cause permanent damage to the device. This is a stress rating only and functional operation of the device at those or any other conditions above those indicated in the operational listings of this specification is not implied. Exposure to maximum rating conditions for extended periods may affect device reliability.

### DC CHARACTERISTICS

**Electrical Specifications:** Unless otherwise indicated,  $V_{DD} = 3.0V$  to  $3.6V$ , GND = Ground, SDA/SCL pulled-up to  $V_{DD}$ , and  $T_A = -20^\circ C$  to  $+125^\circ C$ .

Parameters	Sym	Min	Typ	Max	Unit	Conditions
<b>Power Supply</b>						
Operating Voltage	$V_{DD}$	3.0	—	3.6	V	
<b>Operating Current</b>						
Temperature Sensor	$I_{DD}$	—	200	500	$\mu A$	EEPROM Inactive
EEPROM write	$I_{DD}$	—	1100	2000	$\mu A$	Sensor in Shutdown mode (for $t_{WC}$ )
EEPROM read	$I_{DD}$	—	100	500	$\mu A$	Sensor in Shutdown mode
Shutdown Current	$I_{SHDN}$	—	1	3	$\mu A$	EEPROM Inactive, Sensor in Shutdown mode
Power-on-Reset (POR) Threshold	$V_{POR}$	—	2.3	—	V	Temperature Sensor ( $V_{DD}$ falling)
	$V_{POR}$	—	1.6	—	V	EEPROM ( $V_{DD}$ falling) (see <a href="#">Section 5.4 “Summary of Temperature Sensor Power-on Default”</a> )
Power Supply Rejection, $T_A = +25^\circ C$	$\Delta^\circ C/\Delta V_{DD}$	—	±0.4	—	$^\circ C/V$	$V_{DD} = 3.0V$ to $3.6V$
	$\Delta^\circ C/\Delta V_{DD}$	—	±0.15	—	$^\circ C$	$V_{DD} = 3.3V+150\text{ mV}_{PP\ AC}$ (0 to 1 MHz)
<b>Temperature Sensor Accuracy</b>						
+75°C < $T_A$ ≤ +95°C	$T_{ACY}$	-1.0	±0.5	+1.0	$^\circ C$	
+40°C < $T_A$ ≤ +125°C	$T_{ACY}$	-2.0	±1	+2.0	$^\circ C$	
-20°C < $T_A$ ≤ +125°C	$T_{ACY}$	-3.0	±2	+3.0	$^\circ C$	
$T_A = -40^\circ C$	$T_{ACY}$	—	-2	—	$^\circ C$	
<b>Conversion Time</b>						
0.25°C/bit	$t_{CONV}$	—	65	125	ms	15 s/sec (typical) (See <a href="#">Section 5.2.3.3 “Temperature Resolution”</a> )
<b>Event Output (Open-drain)</b>						
High-level Current (leakage)	$I_{OH}$	—	—	1	$\mu A$	$V_{OH} = V_{DD}$
Low-level Voltage	$V_{OL}$	—	—	0.4	V	$I_{OL} = 3\text{ mA}$
<b>EEPROM</b>						
Write Cycle (byte/page)	$t_{WC}$	—	3	5	ms	—
Endurance $T_A = +25^\circ C$	—	1M	—	—	cycles	$V_{DD} = 5V$ , <a href="#">Note 1</a>
Write-Protect High Voltage	$V_{HI\_WP}$	8	—	12	V	Applied at A0 pin, <a href="#">Note 1</a>
<b>Thermal Response</b>						

**Note 1:** Characterized but not production tested.

# MCP98242

## DC CHARACTERISTICS

**Electrical Specifications:** Unless otherwise indicated,  $V_{DD} = 3.0V$  to  $3.6V$ , GND = Ground, SDA/SCL pulled-up to  $V_{DD}$ , and  $T_A = -20^{\circ}C$  to  $+125^{\circ}C$ .

Parameters	Sym	Min	Typ	Max	Unit	Conditions
DFN	$t_{RES}$	—	0.7	—	s	Time to 63% (89°C) 25°C (Air) to 125°C (oil bath)
TSSOP	$t_{RES}$	—	1.4	—	s	

**Note 1:** Characterized but not production tested.

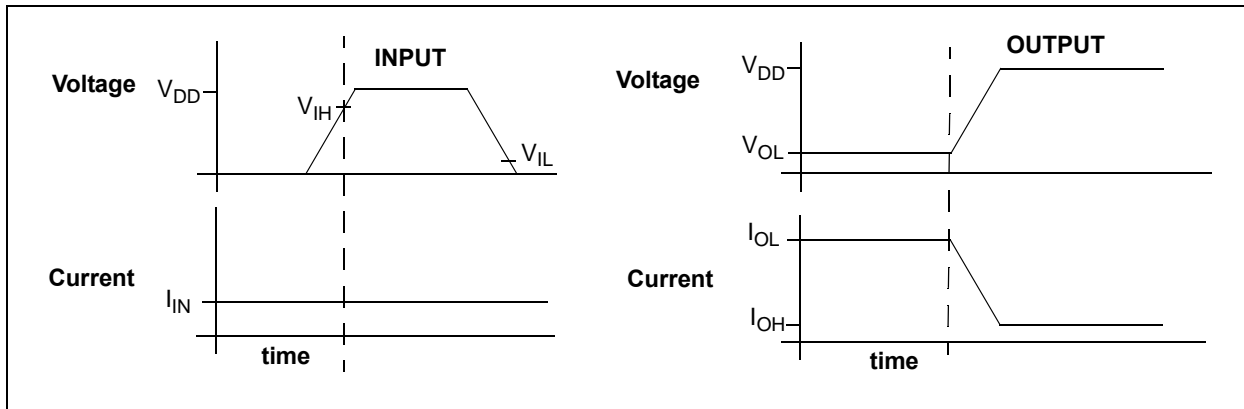
## INPUT/OUTPUT PIN DC CHARACTERISTICS

**Electrical Specifications:** Unless otherwise indicated,  $V_{DD} = 3.0V$  to  $3.6V$ , GND = Ground and  $T_A = -20^{\circ}C$  to  $+125^{\circ}C$ .

Parameters	Sym	Min	Typ	Max	Units	Conditions
<b>Serial Input/Output (SCL, SDA, A0, A1, A2)</b>						
<b>Input</b>						
High-level Voltage	$V_{IH}$	2.1	—	—	V	
Low-level Voltage	$V_{IL}$	—	—	0.8	V	
Input Current	$I_{IN}$	—	—	±5	µA	
<b>Output (SDA)</b>						
Low-level Voltage	$V_{OL}$	—	—	0.4	V	$I_{OL} = 3\text{ mA}$
High-level Current (leakage)	$I_{OH}$	—	—	1	µA	$V_{OH} = V_{DD}$
Low-level Current	$I_{OL}$	6	—	—	mA	$V_{OL} = 0.6V$
Capacitance	$C_{IN}$	—	5	—	pF	
<b>SDA and SCL Inputs</b>						
Hysteresis	$V_{HYST}$	—	0.5	—	V	

**Note:** The serial inputs do not load the serial bus for  $V_{DD}$  range of 1.8V to 5.5V.

## GRAPHICAL SYMBOL DESCRIPTION



## TEMPERATURE CHARACTERISTICS

**Electrical Specifications:** Unless otherwise indicated,  $V_{DD} = 3.0V$  to  $3.6V$ , GND = Ground.

Parameters	Sym	Min	Typ	Max	Units	Conditions
<b>Temperature Ranges</b>						
Specified Temperature Range	$T_A$	-20	—	+125	°C	(Note 1)
Operating Temperature Range	$T_A$	-40	—	+125	°C	
Storage Temperature Range	$T_A$	-65	—	+150	°C	
<b>Thermal Package Resistances</b>						

**Note 1:** Operation in this range must not cause  $T_J$  to exceed Maximum Junction Temperature ( $+150^{\circ}C$ ).

## TEMPERATURE CHARACTERISTICS

**Electrical Specifications:** Unless otherwise indicated,  $V_{DD} = 3.0V$  to  $3.6V$ , GND = Ground.

Parameters	Sym	Min	Typ	Max	Units	Conditions
Thermal Resistance, 8L-DFN	$\theta_{JA}$	—	84.5	—	°C/W	
Thermal Resistance, 8L-TDFN	$\theta_{JA}$	—	41	—	°C/W	
Thermal Resistance, 8L-TSSOP	$\theta_{JA}$	—	139	—	°C/W	

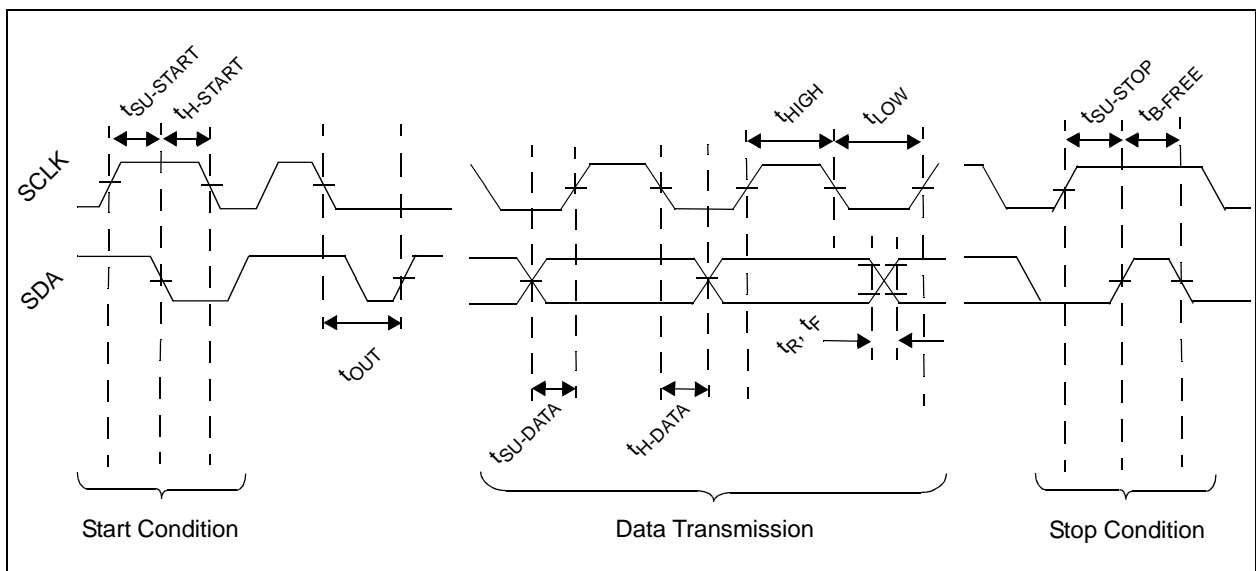
**Note 1:** Operation in this range must not cause  $T_J$  to exceed Maximum Junction Temperature (+150°C).

## SENSOR AND EEPROM SERIAL INTERFACE TIMING SPECIFICATIONS

**Electrical Specifications:** Unless otherwise indicated,  $V_{DD} = 3.0V$  to  $3.6V$ , GND = Ground,  $T_A = -20^\circ C$  to  $+125^\circ C$ ,  $C_L = 80$  pF, and all limits measured to 50% point.

Parameters	Sym	Min	Typ	Max	Units	Conditions
<b>2-Wire I<sup>2</sup>C™/SMBus-Compatible Interface</b>						
Serial Port Frequency	$f_{SC}$	10	—	100	kHz	I <sup>2</sup> C™/SMBus
Low Clock	$t_{LOW}$	4.7	—	—	µs	
High Clock	$t_{HIGH}$	4.0	—	—	µs	
Rise Time	$t_R$	—	—	1000	ns	( $V_{IL\ MAX} - 0.15V$ ) to ( $V_{IH\ MIN} + 0.15V$ )
Fall Time	$t_F$	—	—	300	ns	( $V_{IH\ MIN} + 0.15V$ ) to ( $V_{IL\ MAX} - 0.15V$ )
Data Setup Before SCLK High	$t_{SU-DATA}$	250	—	—	ns	
Data Hold After SCLK Low	$t_{H-DATA}$	300	—	—	ns	
Start Condition Setup Time	$t_{SU-START}$	4.7	—	—	µs	
Start Condition Hold Time	$t_{H-START}$	4.0	—	—	µs	
Stop Condition Setup Time	$t_{SU-STOP}$	4.0	—	—	µs	
Bus Idle	$t_{B\_FREE}$	4.7	—	—	µs	
Time Out	$t_{OUT}$	25	40	50	ms	Temp. Sensor Only (characterized but not production tested)

## TIMING DIAGRAM



# MCP98242

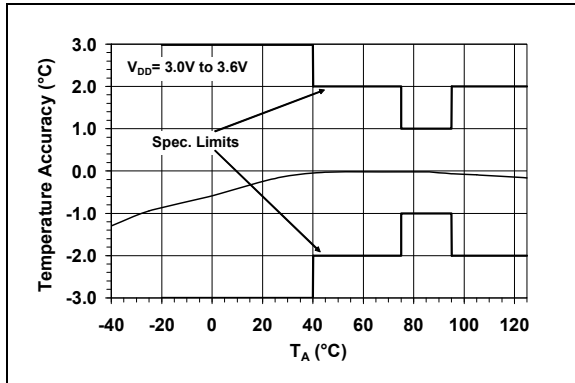
---

NOTES:

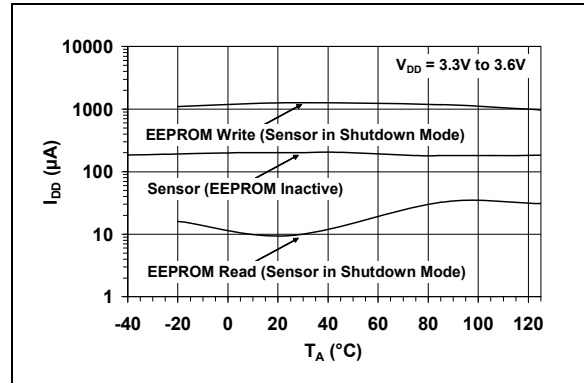
## 2.0 TYPICAL PERFORMANCE CURVES

**Note:** The graphs and tables provided following this note are a statistical summary based on a limited number of samples and are provided for informational purposes only. The performance characteristics listed herein are not tested or guaranteed. In some graphs or tables, the data presented may be outside the specified operating range (e.g., outside specified power supply range) and therefore outside the warranted range.

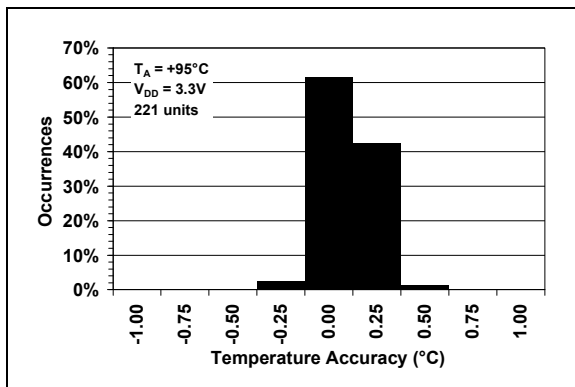
**Note:** Unless otherwise indicated,  $V_{DD} = 3.0V$  to  $3.6V$ , GND = Ground, SDA/SCL pulled-up to  $V_{DD}$ , and  $T_A = -20^{\circ}C$  to  $+125^{\circ}C$ .



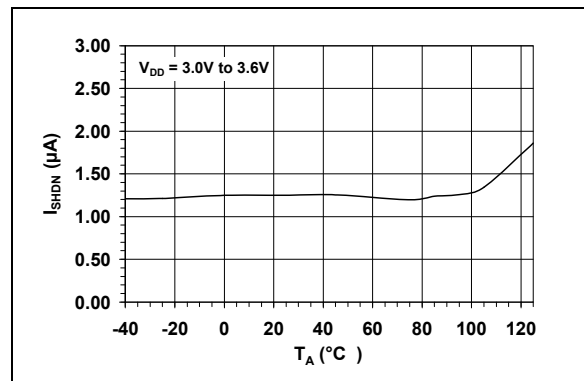
**FIGURE 2-1:** Average Temperature Accuracy.



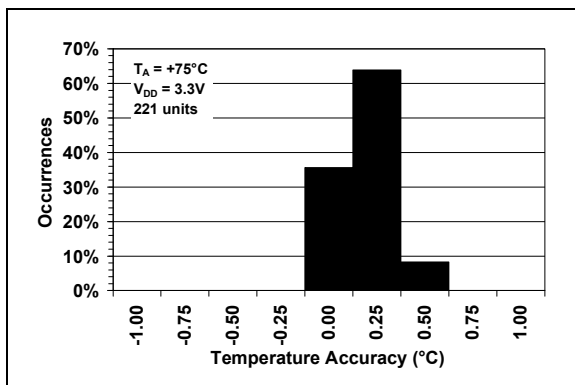
**FIGURE 2-4:** Supply Current vs. Temperature.



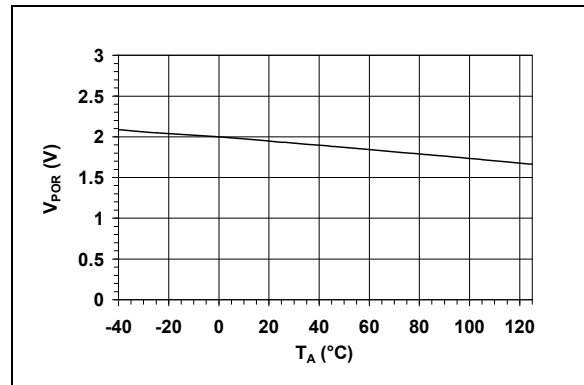
**FIGURE 2-2:** Temperature Accuracy Histogram,  $T_A = +95^{\circ}C$ .



**FIGURE 2-5:** Shutdown Current vs. Temperature.



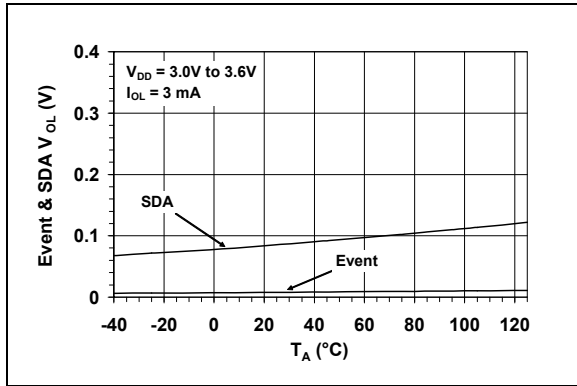
**FIGURE 2-3:** Temperature Accuracy Histogram,  $T_A = +75^{\circ}C$ .



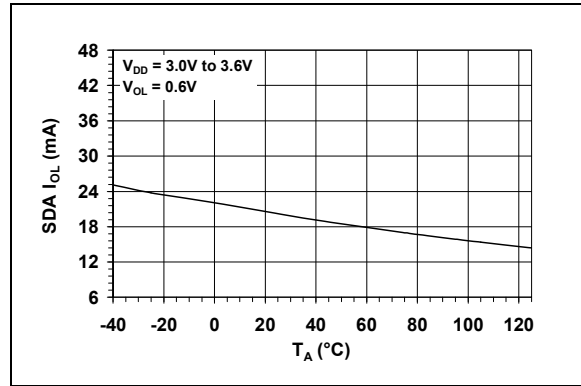
**FIGURE 2-6:** Power-on Reset Threshold Voltage vs. Temperature.

# MCP98242

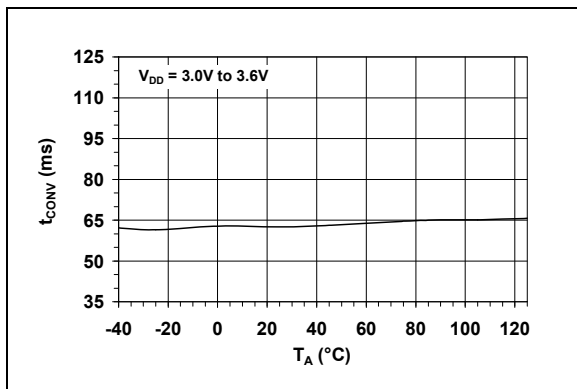
**Note:** Unless otherwise indicated,  $V_{DD} = 3.0V$  to  $3.6V$ , GND = Ground, SDA/SCL pulled-up to  $V_{DD}$ , and  $T_A = -20^{\circ}C$  to  $+125^{\circ}C$ .



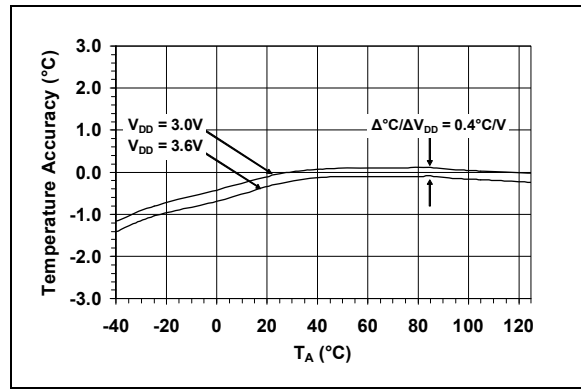
**FIGURE 2-7:** Event and SDA  $V_{OL}$  vs. Temperature.



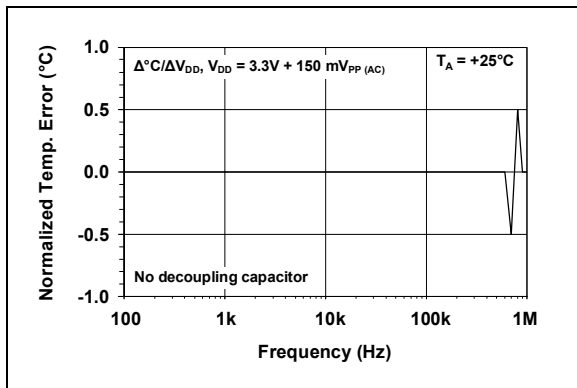
**FIGURE 2-10:** SDA  $I_{OL}$  vs. Temperature.



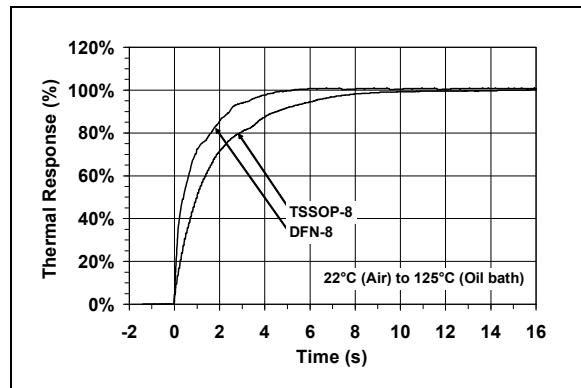
**FIGURE 2-8:** Conversion Rate vs. Temperature.



**FIGURE 2-11:** Temperature Accuracy vs.  $V_{DD}$ .



**FIGURE 2-9:** Power Supply Rejection vs. Frequency.



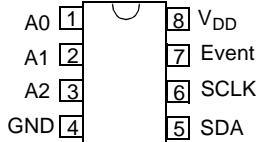
**FIGURE 2-12:** Package Thermal Response.



## 3.0 PIN DESCRIPTION

The descriptions of the pins are listed in [Table 3-1](#).

**TABLE 3-1: PIN FUNCTION TABLES**

DFN/TDFN/UDFN	TSSOP	Symbol	Pin Function	Package Type
1	1	A0	Slave Address	<b>8-Pin TSSOP</b> 
2	2	A1	Slave Address	
3	3	A2	Slave Address	
4	4	GND	Ground	
5	5	SDA	Serial Data Line	
6	6	SCLK	Serial Clock Line	
7	7	Event	Temperature Alert Output	
8	8	V <sub>DD</sub>	Power Pin	
9	—	EP	Exposed Thermal Pad (EP); must be connected to V <sub>SS</sub> .	

### 3.1 Address Pins (A2, A1, A0)

These pins are device address input pins.

The address pins correspond to the Least Significant bits (LSb) of address bits. The Most Significant bits (MSb) (A6, A5, A4, A3). This is shown in [Table 3-2](#).

**TABLE 3-2: MCP98242 ADDRESS BYTE**

Device	Address Code				Slave Address		
	A6	A5	A4	A3	A2	A1	A0
Sensor	0	0	1	1			
EEPROM	1	0	1	0	X	X	X
EEPROM Write-Protect	0	1	1	0			

**Note:** User-selectable address is shown by X.

### 3.2 Ground Pin (GND)

The GND pin is the system ground pin.

### 3.3 Serial Data Line (SDA)

SDA is a bidirectional input/output pin, used to serially transmit data to/from the host controller. This pin requires a pull-up resistor. (See [Section 4.0 “Serial Communication”](#)).

### 3.4 Serial Clock Line (SCLK)

The SCLK is a clock input pin. All communication and timing is relative to the signal on this pin. The clock is generated by the host or master controller on the bus. (See [Section 4.0 “Serial Communication”](#)).

### 3.5 Open-Drain Temperature Alert Output (Event)

The MCP98242 Event pin is an open-drain output. The device outputs a signal when the ambient temperature goes beyond the user-programmed temperature limit. (see [Section 5.2.3 “Event Output Configuration”](#)).

### 3.6 Power Pin (V<sub>DD</sub>)

V<sub>DD</sub> is the power pin. The operating voltage range, as specified in the DC electrical specification table, is applied on this pin.

### 3.7 Exposed Thermal Pad (EP)

There is an internal electrical connection between the Exposed Thermal Pad (EP) and the GND pin; they must be connected to the same potential on the Printed Circuit Board (PCB).

# MCP98242

---

NOTES:

## 4.0 SERIAL COMMUNICATION

### 4.1 2-Wire SMBus/Standard Mode I<sup>2</sup>C™ Protocol-Compatible Interface

The MCP98242 serial clock input (SCLK) and the bidirectional serial data line (SDA) form a 2-wire bidirectional SMBus/Standard mode I<sup>2</sup>C compatible communication port (refer to the [Input/Output Pin DC Characteristics](#) Table and [Sensor And EEPROM Serial Interface Timing Specifications](#) Table).

The following bus protocol has been defined:

**TABLE 4-1: MCP98242 SERIAL BUS PROTOCOL DESCRIPTIONS**

Term	Description
Master	The device that controls the serial bus, typically a microcontroller.
Slave	The device addressed by the master, such as the MCP98242.
Transmitter	Device sending data to the bus.
Receiver	Device receiving data from the bus.
Start	A unique signal from master to initiate serial interface with a slave.
Stop	A unique signal from the master to terminate serial interface from a slave.
Read/Write	A read or write to the MCP98242 registers.
ACK	A receiver Acknowledges (ACK) the reception of each byte by polling the bus.
NAK	A receiver Not-Acknowledges (NAK) or releases the bus to show End-of-Data (EOD).
Busy	Communication is not possible because the bus is in use.
Not Busy	The bus is in the Idle state, both SDA and SCLK remain high.
Data Valid	SDA must remain stable before SCLK becomes high in order for a data bit to be considered valid. During normal data transfers, SDA only changes state while SCLK is low.

#### 4.1.1 DATA TRANSFER

Data transfers are initiated by a Start condition (Start), followed by a 7-bit device address and a read/write bit. An Acknowledge (ACK) from the slave confirms the reception of each byte. Each access must be terminated by a Stop condition (Stop).

Repeated communication is initiated after  $t_{B-FREE}$ .

This device does not support sequential register read/write. Each register needs to be addressed using the Register Pointer.

This device supports the Receive Protocol. The register can be specified using the pointer for the initial read. Each repeated read or receive begins with a Start condition and address byte. The MCP98242 retains the previously selected register. Therefore, it outputs data from the previously-specified register (repeated pointer specification is not necessary).

#### 4.1.2 MASTER/SLAVE

The bus is controlled by a master device (typically a microcontroller) that controls the bus access and generates the Start and Stop conditions. The MCP98242 is a slave device and does not control other devices in the bus. Both master and slave devices can operate as either transmitter or receiver. However, the master device determines which mode is activated.

#### 4.1.3 START/STOP CONDITION

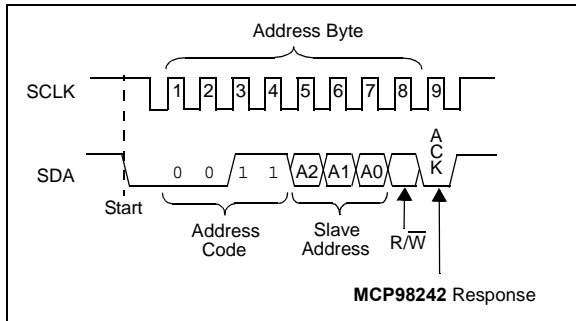
A high-to-low transition of the SDA line (while SCLK is high) is the Start condition. All data transfers must be preceded by a Start condition from the master. If a Start condition is generated during data transfer, the MCP98242 resets and accepts the new Start condition.

A low-to-high transition of the SDA line (while SCLK is high) signifies a Stop condition. If a Stop condition is introduced during data transmission, the MCP98242 releases the bus. All data transfers are ended by a Stop condition from the master.

#### 4.1.4 ADDRESS BYTE

Following the Start condition, the host must transmit an 8-bit address byte to the MCP98242. The address for the MCP98242 Temperature Sensor is '0011, A2, A1, A0' in binary, where the A2, A1 and A0 bits are set externally by connecting the corresponding pins to  $V_{DD}$  '1' or GND '0'. The 7-bit address transmitted in the serial bit stream must match the selected address for the MCP98242 to respond with an ACK. Bit 8 in the address byte is a read/write bit. Setting this bit to '1' commands a read operation, while '0' commands a write operation (see [Figure 4-1](#)).

# MCP98242



**FIGURE 4-1:** Device Addressing.

## 4.1.5 DATA VALID

After the Start condition, each bit of data in transmission needs to be settled for a time specified by  $t_{SU-DATA}$  before SCLK toggles from low-to-high (see “**Sensor And EEPROM Serial Interface Timing Specifications**” on Page 5).

## 4.1.6 ACKNOWLEDGE (ACK)

Each receiving device, when addressed, is obliged to generate an ACK bit after the reception of each byte. The master device must generate an extra clock pulse for ACK to be recognized.

The acknowledging device pulls down the SDA line for  $t_{SU-DATA}$  before the low-to-high transition of SCLK from the master. SDA also needs to remain pulled down for  $t_{H-DATA}$  after a high-to-low transition of SCLK.

During read, the master must signal an End-of-Data (EOD) to the slave by not generating an ACK bit (NAK) once the last bit has been clocked out of the slave. In this case, the slave will leave the data line released to enable the master to generate the Stop condition.

## 4.1.7 TIME OUT (MCP98242)

If the SCLK stays low or high for time specified by  $t_{OUT}$ , the MCP98242 temperature sensor resets the serial interface. This dictates the minimum clock speed as specified in the SMBus specification. However, the EEPROM does not reset the serial interface. Therefore, the master can hold the clock indefinitely to process data from the EEPROM.

## 5.0 FUNCTIONAL DESCRIPTION

The MCP98242 temperature sensors consists of a band gap type temperature sensor, a Delta-Sigma Analog-to-Digital Converter ( $\Sigma\Delta$  ADC), user-programmable

registers and a 2-wire I<sup>2</sup>C/SMBus protocol compatible serial interface. Figure 5-1 shows a block diagram of the register structure.

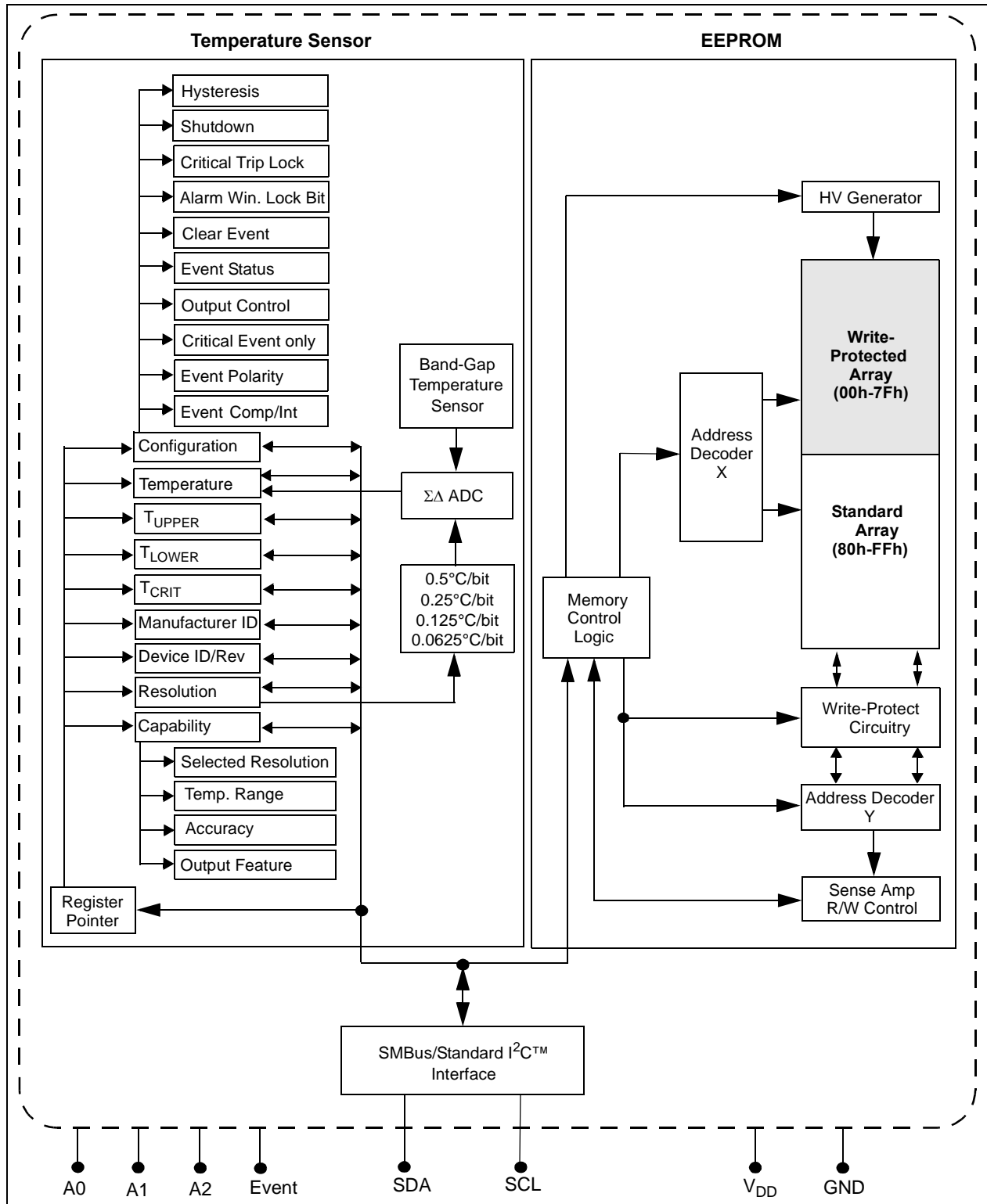


FIGURE 5-1: Functional Block Diagram.

# MCP98242

## 5.1 Registers

The MCP98242 has several registers that are user-accessible. These registers include the Capability register, Configuration register, Event Temperature Upper-Boundary and Lower-Boundary Trip registers, Critical Temperature Trip register, Temperature register, Manufacturer Identification register and Device Identification register.

The Temperature register is read-only, used to access the ambient temperature data. The data is loaded in parallel to this register after  $t_{CONV}$ . The Event Temperature Upper-Boundary and Lower-Boundary Trip registers are read/writes. If the ambient temperature drifts beyond the user-specified limits, the MCP98242 outputs a signal using the Event pin (refer to [Section 5.2.3 “Event Output Configuration”](#)). In addition, the Critical Temperature Trip register is used to provide an additional critical temperature limit.

The Capability register is used to provide bits describing the MCP98242’s capability in measurement resolution, measurement range and device accuracy. The device Configuration register provides access to configure the MCP98242’s various features. These registers are described in further detail in the following sections.

The registers are accessed by sending a Register Pointer to the MCP98242 using the serial interface. This is an 8-bit write-only pointer. However, the three Least Significant bits are used as pointers and all unused bits (bits 7-3) need to be cleared or set to ‘0’. [Register 5-1](#) describes the pointer or the address of each register.

**REGISTER 5-1: REGISTER POINTER (WRITE ONLY)**

W-0	W-0	W-0	W-0	W-0	W-0	W-0	W-0
—	—	—	—	Pointer Bits			
bit 7				bit 0			

<b>Legend:</b>			
R = Readable bit	W = Writable bit	U = Unimplemented bit, read as ‘0’	
-n = Value at POR	‘1’ = Bit is set	‘0’ = Bit is cleared	x = Bit is unknown

bit 7-4      **Writable Bits:** Write ‘0’  
 Bits 7-4 must always be cleared or written to ‘0’. This device has additional registers that are reserved for test and calibration. If these registers are accessed, the device may not perform according to the specification.

bit 3-0      **Pointer Bits:**

- 0000 = Capability register
- 0001 = Configuration register (CONFIG)
- 0010 = Event Temperature Upper-Boundary Trip register ( $T_{UPPER}$ )
- 0011 = Event Temperature Lower-Boundary Trip register ( $T_{LOWER}$ )
- 0100 = Critical Temperature Trip register ( $T_{CRIT}$ )
- 0101 = Temperature register ( $T_A$ )
- 0110 = Manufacturer ID register
- 0111 = Device ID/Revision register
- 1000 = Resolution register
- 1XXX = Reserved

**TABLE 5-1: BIT ASSIGNMENT SUMMARY FOR ALL REGISTERS (SEE SECTION 5.4)**

Register Pointer (Hex)	MSB/LSB	Bit Assignment							
		7	6	5	4	3	2	1	0
0x00	MSB	0	0	0	0	0	0	0	0
	LSB	0	0	0	Resolution		Range	Accuracy	Event
0x01	MSB	0	0	0	0	0	Hysteresis		SHDN
	LSB	Crt Loc	Win Loc	Int Clr	Evt Stat	Evt Cnt	Evt Sel	Evt Pol	Evt Pol
0x02	MSB	0	0	0	SIGN	2 <sup>7</sup> °C	2 <sup>6</sup> °C	2 <sup>5</sup> °C	2 <sup>4</sup> °C
	LSB	2 <sup>3</sup> °C	2 <sup>2</sup> °C	2 <sup>1</sup> °C	2 <sup>0</sup> °C	2 <sup>-1</sup> °C	2 <sup>-2</sup> °C	0	0
0x03	MSB	0	0	0	SIGN	2 <sup>7</sup> °C	2 <sup>6</sup> °C	2 <sup>5</sup> °C	2 <sup>4</sup> °C
	LSB	2 <sup>3</sup> °C	2 <sup>2</sup> °C	2 <sup>1</sup> °C	2 <sup>0</sup> °C	2 <sup>-1</sup> °C	2 <sup>-2</sup> °C	0	0
0x04	MSB	0	0	0	SIGN	2 <sup>7</sup> °C	2 <sup>6</sup> °C	2 <sup>5</sup> °C	2 <sup>4</sup> °C
	LSB	2 <sup>3</sup> °C	2 <sup>2</sup> °C	2 <sup>1</sup> °C	2 <sup>0</sup> °C	2 <sup>-1</sup> °C	2 <sup>-2</sup> °C	0	0
0x05	MSB	T <sub>A</sub> ≥ T <sub>CRIT</sub>	T <sub>A</sub> > T <sub>UPPER</sub>	T <sub>A</sub> < T <sub>LOWER</sub>	SIGN	2 <sup>7</sup> °C	2 <sup>6</sup> °C	2 <sup>5</sup> °C	2 <sup>4</sup> °C
	LSB	2 <sup>3</sup> °C	2 <sup>2</sup> °C	2 <sup>1</sup> °C	2 <sup>0</sup> °C	2 <sup>-1</sup> °C	2 <sup>-2</sup> °C	0	0
0x06	MSB	0	0	0	0	0	0	0	0
	LSB	0	1	0	1	0	1	0	0
0x07	MSB	0	0	1	0	0	0	0	0
	LSB	0	0	0	0	0	0	0	1
0x08	LSB	0	0	0	0	0	0	0	1

# MCP98242

## 5.1.1 CAPABILITY REGISTER

This is a read-only register used to identify the temperature sensor capability. In this case, the MCP98242 is capable of providing temperature at 0.25°C resolution, measuring temperature below and above 0°C, providing ±1°C and ±2°C accuracy over the active and monitor temperature ranges (respectively) and providing user-programmable temperature event boundary trip limits. [Register 5-2](#) describes the Capability register. These functions are described in further detail in the following sections.

### REGISTER 5-2: CAPABILITY REGISTER (READ-ONLY) → ADDRESS '0000 0000'b

U-0	U-0	U-0	U-0	U-0	U-0	U-0	U-0
—	—	—	—	—	—	—	—
bit 15						bit 8	

U-0	U-0	U-0	R-0	R-1	R-1	R-1	R-1
—	—	—	Resolution	Meas Range	Accuracy	Temp Alarm	
bit 7						bit 0	

#### Legend:

R = Readable bit  
-n = Value at POR

W = Writable bit  
'1' = Bit is set

U = Unimplemented bit, read as '0'  
'0' = Bit is cleared  
x = Bit is unknown

bit 15-5      **Unimplemented:** Read as '0'

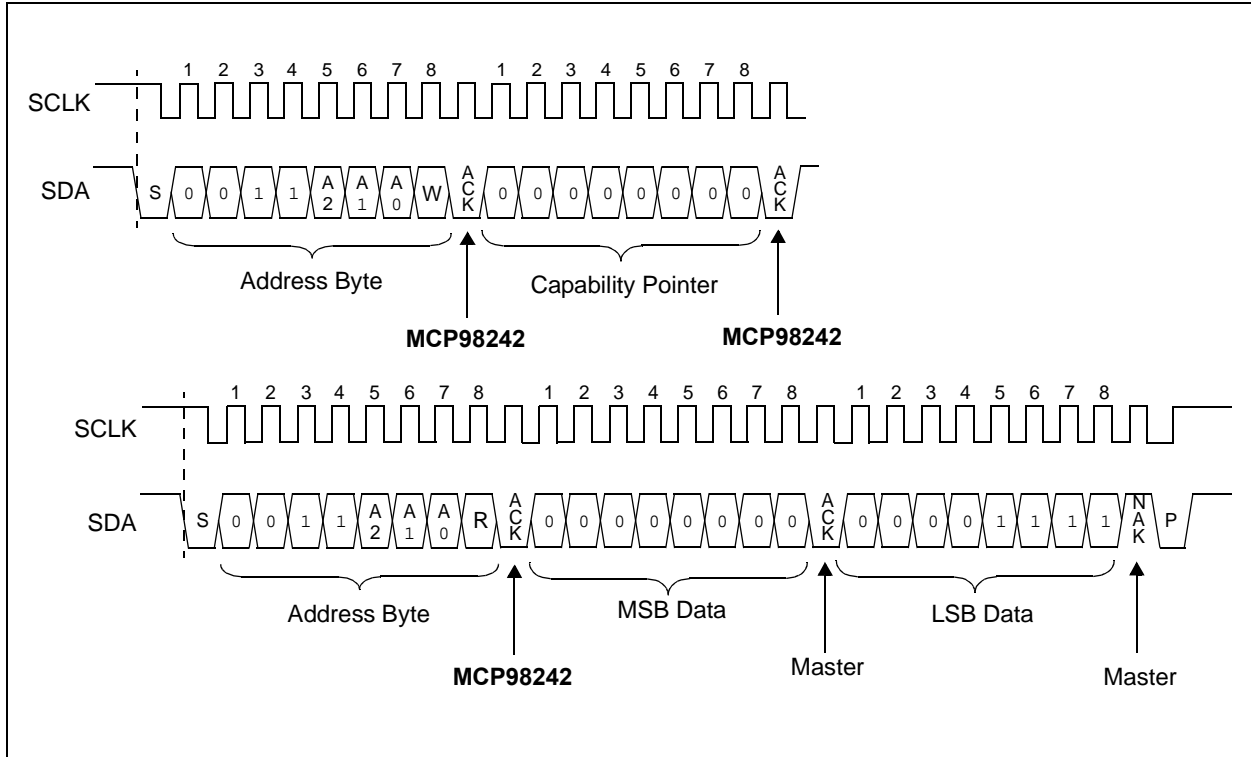
bit 4-3      **Resolution:**  
00 = 0.5°C  
01 = 0.25°C (power-up default)  
10 = 0.125°C  
11 = 0.0625°C  
These bits reflect the selected resolution (see [Section 5.2.3.3 "Temperature Resolution"](#))

bit 2      **Temperature Measurement Range (Meas. Range):**  
0 =  $T_A = 0$  (decimal) for temperature below 0°C  
1 = The part can measure temperature below 0°C (power-up default)

bit 1      **Accuracy:**  
0 = Accuracy → ±2°C from +75°C to +95°C (Active Range) and ±3°C from +40°C to +125°C (Monitor Range)  
1 = Accuracy → ±1°C from +75°C to +95°C (Active Range) and ±2°C from +40°C to +125°C (Monitor Range)

bit 0      **Temperature Alarm:**  
0 = No defined function (This bit will never be cleared or set to '0').  
1 = The part has temperature boundary trip limits ( $T_{UPPER}/T_{LOWER}/T_{CRIT}$  registers) and a temperature event output (JC 42.4 required feature).





**FIGURE 5-2:** Timing Diagram for Reading the Capability Register (See [Section 4.0 “Serial Communication”](#)).

# MCP98242

## 5.1.2 SENSOR CONFIGURATION REGISTER (CONFIG)

The MCP98242 has a 16-bit Configuration register (CONFIG) that allows the user to set various functions for a robust temperature monitoring system. Bits 10 thru 0 are used to select Event output boundary hysteresis, device Shutdown or Low-Power mode, temperature boundary and critical temperature lock, temperature Event output enable/disable. In addition, the user can select the Event output condition (output set for  $T_{UPPER}$  and  $T_{LOWER}$  temperature boundary or  $T_{CRIT}$  only), read Event output status and set Event output polarity and mode (Comparator Output or Interrupt Output mode).

The temperature hysteresis bits 10 and 9 can be used to prevent output chatter when the ambient temperature gradually changes beyond the user-specified temperature boundary (see [Section 5.2.2 “Temperature Hysteresis \( \$T\_{HYST}\$ \)”](#)).

The Continuous Conversion or Shutdown mode is selected using bit 8. In Shutdown mode, the band gap temperature sensor circuit stops converting temperature and the Ambient Temperature register ( $T_A$ ) holds the previous successfully converted temperature data (see [Section 5.2.1 “Shutdown Mode”](#)). Bits 7 and 6 are used to lock the user-specified boundaries  $T_{UPPER}$ ,  $T_{LOWER}$  and  $T_{CRIT}$  to prevent an accidental rewrite. Bits 5 thru 0 are used to configure the temperature Event output pin. All functions are described in [Register 5-3](#) (see [Section 5.2.3 “Event Output Configuration”](#)).

**REGISTER 5-3: CONFIGURATION REGISTER (CONFIG) → ADDRESS ‘0000 0001’b**

U-0	U-0	U-0	U-0	U-0	R/W-0	R/W-0	R/W-0
—	—	—	—	—	$T_{HYST}$		SHDN
bit 15						bit 8	

R/W-0	R/W-0	R/W-0	R-0	R/W-0	R/W-0	R/W-0	R/W-0
Crit. Lock	Win. Lock	Int. Clear	Event Stat.	Event Cnt.	Event Sel.	Event Pol.	Event Mod.
bit 7						bit 0	

**Legend:**

R = Readable bit                      W = Writable bit                      U = Unimplemented bit, read as ‘0’  
 -n = Value at POR                      ‘1’ = Bit is set                      ‘0’ = Bit is cleared                      x = Bit is unknown

bit 15-11                      **Unimplements:** Read as ‘0’

bit 10-9                       **$T_{UPPER}$  and  $T_{LOWER}$  Limit Hysteresis ( $T_{HYST}$ ):**  
 00 = 0°C (power-up default)  
 01 = 1.5°C  
 10 = 3.0°C  
 11 = 6.0°C

This bit cannot be altered when either of the lock bits are set (bit 6 and bit 7), refer to [Section 5.2.3 “Event Output Configuration”](#).

bit 8                      **Shutdown Mode (SHDN):**

0 = Continuous Conversion (power-up default)  
 1 = Shutdown (Low-Power mode)

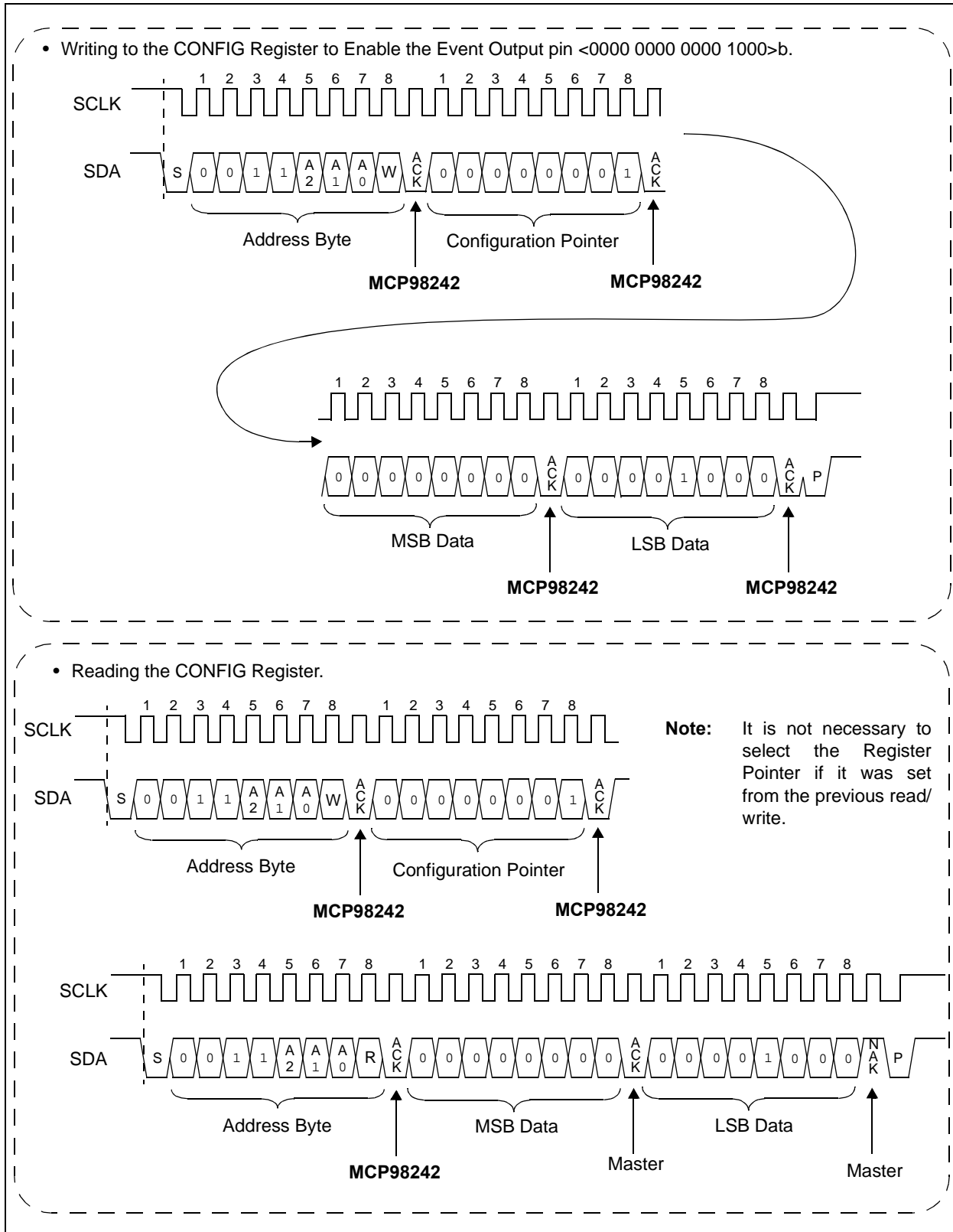
In shutdown, all power-consuming activities are disabled, though all registers can be written to or read.

This bit cannot be set ‘1’ when either of the lock bits is set (bit 6 and bit 7). However, it can be cleared ‘0’ for Continuous Conversion while locked. (Refer to [Section 5.2.1 “Shutdown Mode”](#))

**REGISTER 5-3: CONFIGURATION REGISTER (CONFIG) → ADDRESS '0000 0001'b**

- bit 7      **T<sub>CRIT</sub> Lock Bit (Crit. Lock):**  
 0 = Unlocked. T<sub>CRIT</sub> register can be written. (power-up default)  
 1 = Locked. T<sub>CRIT</sub> register cannot be written  
 When enabled, this bit remains set '1' or locked until cleared by internal Reset ([Section 5.4 "Summary of Temperature Sensor Power-on Default"](#)). This bit does not require a double-write.
- bit 6      **T<sub>UPPER</sub> and T<sub>LOWER</sub> Window Lock Bit (Win. Lock):**  
 0 = Unlocked. T<sub>UPPER</sub> and T<sub>LOWER</sub> registers can be written. (power-up default)  
 1 = Locked. T<sub>UPPER</sub> and T<sub>LOWER</sub> registers cannot be written  
 When enabled, this bit remains set '1' or locked until cleared by internal Reset ([Section 5.4 "Summary of Temperature Sensor Power-on Default"](#)). This bit does not require a double-write.
- bit 5      **Interrupt Clear (Int. Clear) Bit:**  
 0 = No effect (power-up default)  
 1 = Clear interrupt output. When read this bit returns '0'
- bit 4      **Event Output Status (Event Stat.) Bit:**  
 0 = Event output is not asserted by the device (power-up default)  
 1 = Event output is asserted as a comparator/Interrupt or critical temperature output
- bit 3      **Event Output Control (Event Cnt.) Bit:**  
 0 = Disabled (power-up default)  
 1 = Enabled  
 This bit cannot be altered when either of the lock bits is set (bit 6 and bit 7).
- bit 2      **Event Output Select (Event Sel.) Bit:**  
 0 = Event output for T<sub>UPPER</sub>, T<sub>LOWER</sub> and T<sub>CRIT</sub> (power-up default)  
 1 = T<sub>A</sub> > T<sub>CRIT</sub> only. (T<sub>UPPER</sub> and T<sub>LOWER</sub> temperature boundaries are disabled.)  
 When the Alarm Window Lock bit is set, this bit cannot be altered until unlocked (bit 6).
- bit 1      **Event Output Polarity (Event Pol.) Bit:**  
 0 = Active-low (power-up default)  
 1 = Active-high  
 This bit cannot be altered when either of the lock bits is set (bit 6 and bit 7).
- bit 0      **Event Output Mode (Event Mod.) Bit:**  
 0 = Comparator output (power-up default)  
 1 = Interrupt output  
 This bit cannot be altered when either of the lock bits is set (bit 6 and bit 7).

# MCP98242



**FIGURE 5-3:** Timing Diagram for Writing and Reading from the Configuration Register (See Section 4.0 “Serial Communication”).

## 5.1.3 UPPER/LOWER/CRITICAL TEMPERATURE LIMIT REGISTERS (T<sub>UPPER</sub>/T<sub>LOWER</sub>/T<sub>CRIT</sub>)

The MCP98242 has a 16-bit read/write Event output Temperature Upper-Boundary Trip register (T<sub>UPPER</sub>), a 16-bit Lower-Boundary Trip register (T<sub>LOWER</sub>) and a 16-bit Critical Boundary Trip register (T<sub>CRIT</sub>) that contains 11-bit data in two's complement format (0.25 °C). This data represents the maximum and minimum temperature boundary or temperature window that can be used to monitor ambient temperature. If this feature is enabled (Section 5.1.2 “Sensor Configuration Register (CONFIG)”) and the ambient temperature exceeds the specified boundary or window, the MCP98242 asserts an Event output. (Refer to Section 5.2.3 “Event Output Configuration”).

### REGISTER 5-4: UPPER/LOWER/CRITICAL TEMPERATURE LIMIT REGISTER (T<sub>UPPER</sub>/T<sub>LOWER</sub>/T<sub>CRIT</sub>) → ADDRESS ‘0000 0010’b/‘0000 0011’b/‘0000 0100’b

U-0	U-0	U-0	R/W-0	R/W-0	R/W-0	R/W-0	R/W-0	
—	—	—	Sign	2 <sup>7</sup> °C	2 <sup>6</sup> °C	2 <sup>5</sup> °C	2 <sup>4</sup> °C	
bit 15								bit 8

R/W-0	R/W-0	R/W-0	R/W-0	R/W-0	R/W-0	U-0	U-0	
2 <sup>3</sup> °C	2 <sup>2</sup> °C	2 <sup>1</sup> °C	2 <sup>0</sup> °C	2 <sup>-1</sup> °C	2 <sup>-2</sup> °C	—	—	
bit 7								bit 0

#### Legend:

R = Readable bit	W = Writable bit	U = Unimplemented bit, read as ‘0’
-n = Value at POR	‘1’ = Bit is set	‘0’ = Bit is cleared
		x = Bit is unknown

bit 15-13 **Unimplemented:** Read as ‘0’

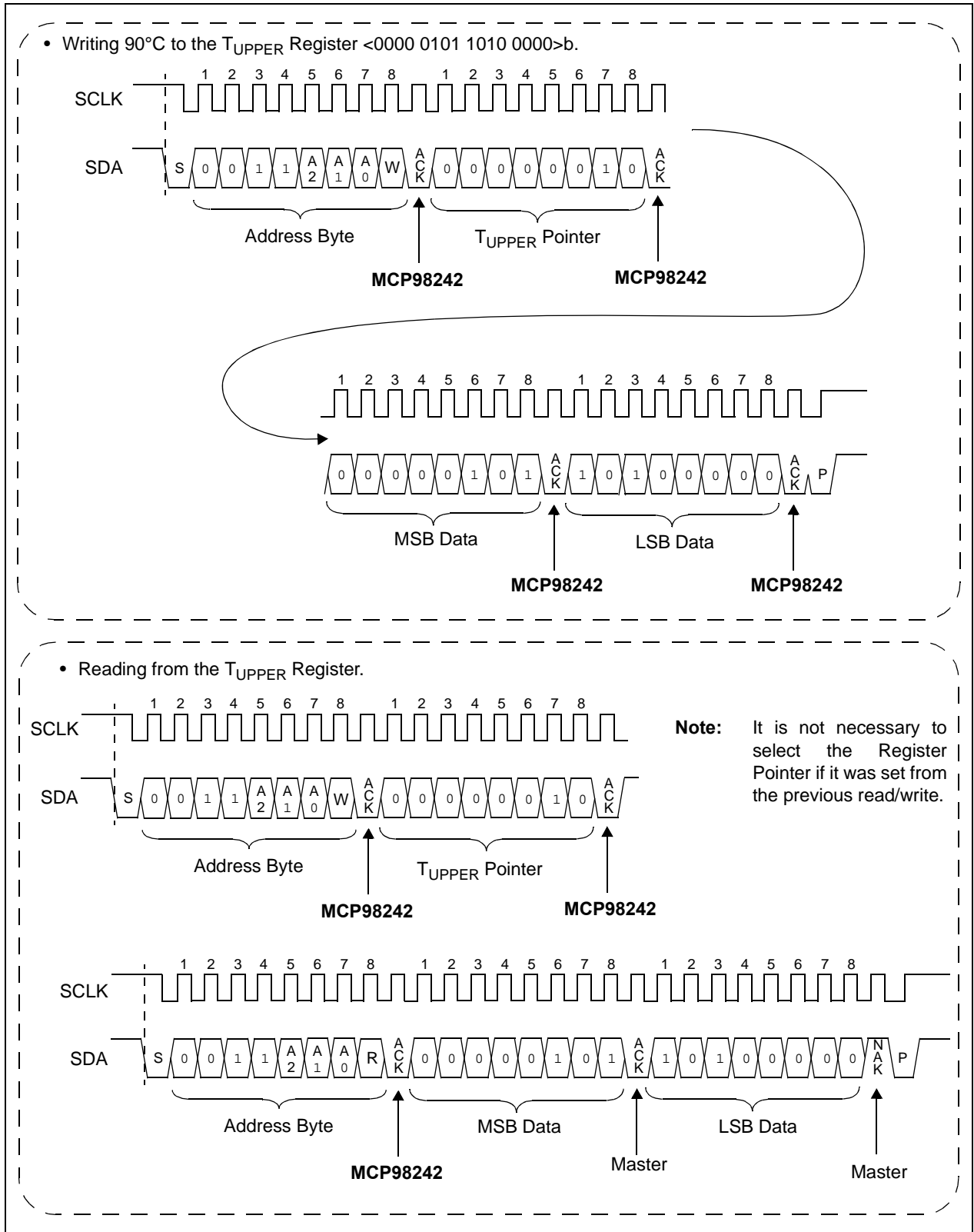
bit 12 **Sign:**  
 0 = T<sub>A</sub> ≥ 0°C  
 1 = T<sub>A</sub> < 0°C

bit 11-2 **T<sub>UPPER</sub>/T<sub>LOWER</sub>/T<sub>CRIT</sub>:**  
 Temperature boundary trip data in two's complement format.

bit 1-0 **Unimplemented:** Read as ‘0’

**Note:** This table shows two 16-bit registers for T<sub>UPPER</sub>, T<sub>LOWER</sub> and T<sub>CRIT</sub> located at ‘0000 0010b’, ‘0000 0011b’ and ‘0000 0100b’, respectively.

# MCP98242



**FIGURE 5-4:** Timing Diagram for Writing and Reading from the T<sub>UPPER</sub> Register (See [Section 4.0](#) “Serial Communication”).

## 5.1.4 AMBIENT TEMPERATURE REGISTER (T<sub>A</sub>)

The MCP98242 uses a band gap temperature sensor circuit to output analog voltage proportional to absolute temperature. An internal ΔΣ ADC is used to convert the analog voltage to a digital word. The converter resolution is set to 0.25 °C + sign (11-bit data). The digital word is loaded to a 16-bit read-only Ambient Temperature register (T<sub>A</sub>) that contains 11-bit temperature data in two's complement format.

The T<sub>A</sub> register bits (bits 12 thru 0) are double-buffered. Therefore, the user can access the register while, in the background, the MCP98242 performs an analog-to-digital conversion. The temperature data from the ΔΣ ADC is loaded in parallel to the T<sub>A</sub> register at t<sub>CONV</sub> refresh rate.

The T<sub>A</sub> magnitude in decimal to ambient temperature conversion is shown in [Equation 5-1](#):

## EQUATION 5-1: DECIMAL CODE TO TEMPERATURE CONVERSION

$$T_A = \text{Code} \times 2^{-4}$$

Where:

T<sub>A</sub> = Ambient Temperature (°C)  
Code = MCP98242 temperature output magnitude in decimal (bits 0-11)

In addition, the T<sub>A</sub> register uses three bits (bits 15, 14 and 13) to reflect the Event pin state. This allows the user to identify the cause of the Event output trigger (see [Section 5.2.3 "Event Output Configuration"](#)); bit 15 is set to '1' if T<sub>A</sub> is greater than or equal to T<sub>CRIT</sub>; bit 14 is set to '1' if T<sub>A</sub> is greater than T<sub>UPPER</sub> and bit 13 is set to '1' if T<sub>A</sub> is less than T<sub>LOWER</sub>.

The T<sub>A</sub> register bit assignment and boundary conditions are described in [Register 5-5](#).

## REGISTER 5-5: AMBIENT TEMPERATURE REGISTER (T<sub>A</sub>) → ADDRESS '0000 0101'b

R-0	R-0	R-0	R-0	R-0	R-0	R-0	R-0
T <sub>A</sub> vs. T <sub>CRIT</sub>	T <sub>A</sub> vs. T <sub>UPPER</sub>	T <sub>A</sub> vs. T <sub>LOWER</sub>	SIGN	2 <sup>7</sup> °C	2 <sup>6</sup> °C	2 <sup>5</sup> °C	2 <sup>4</sup> °C
bit 15							bit 8

R-0	R-0	R-0	R-0	R-0	R-0	R-0	R-0
2 <sup>3</sup> °C	2 <sup>2</sup> °C	2 <sup>1</sup> °C	2 <sup>0</sup> °C	2 <sup>-1</sup> °C	2 <sup>-2</sup> °C	—	—
bit 7							bit 0

### Legend:

R = Readable bit                      W = Writable bit                      U = Unimplemented bit, read as '0'  
-n = Value at POR                      '1' = Bit is set                      '0' = Bit is cleared                      x = Bit is unknown

bit 15      **T<sub>A</sub> vs. T<sub>CRIT</sub> (1) Bit:**

0 = T<sub>A</sub> < T<sub>CRIT</sub>

1 = T<sub>A</sub> ≥ T<sub>CRIT</sub>

bit 14      **T<sub>A</sub> vs. T<sub>UPPER</sub> (1) Bit:**

0 = T<sub>A</sub> ≤ T<sub>UPPER</sub>

1 = T<sub>A</sub> > T<sub>UPPER</sub>

bit 13      **T<sub>A</sub> vs. T<sub>LOWER</sub> (1) Bit:**

0 = T<sub>A</sub> ≥ T<sub>LOWER</sub>

1 = T<sub>A</sub> < T<sub>LOWER</sub>

bit 12      **SIGN Bit:**

0 = T<sub>A</sub> ≥ 0°C

1 = T<sub>A</sub> < 0°C

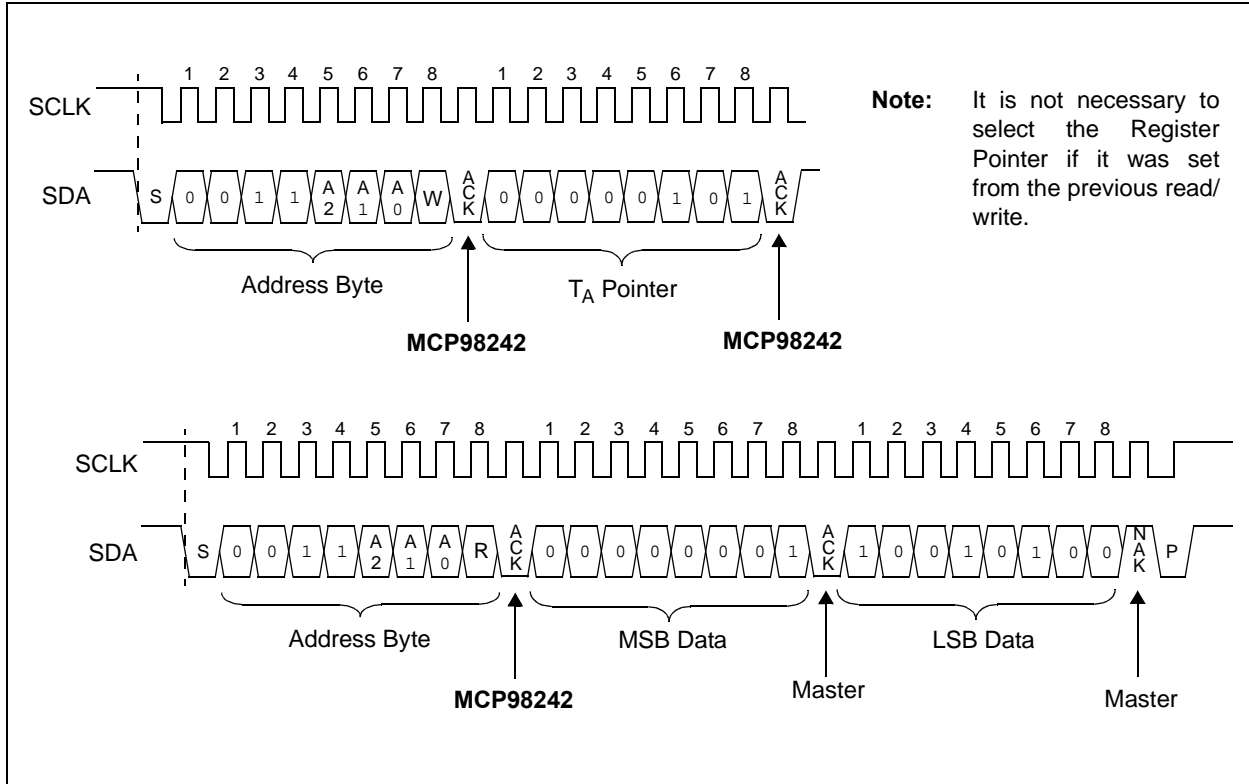
bit 11-2      **Ambient Temperature (T<sub>A</sub>) Bits:**

10-bit Ambient Temperature data in two's complement format.

bit 1-0      **T<sub>A</sub>:** Data in 2's complement format. Depending on the status of the Resolution Register ([Register 5-8](#)), these bits may display 2<sup>-3</sup>°C (0.125°C) and 2<sup>-4</sup>°C (0.0625°C), respectively.

**Note 1:** Not affected by the status of the Event output Configuration (bits 5 to 0 of CONFIG), [Register 5-3](#).

# MCP98242



**FIGURE 5-5:** Timing Diagram for Reading +25.25°C Temperature from the  $T_A$  Register (See Section 4.0 “Serial Communication”).



## 5.1.5 MANUFACTURER ID REGISTER

This register is used to identify the manufacturer of the device in order to perform manufacturer specific operation. The Manufacturer ID for the MCP98242 is 0x0054 (hexadecimal).

### REGISTER 5-6: MANUFACTURER ID REGISTER (READ-ONLY) → ADDRESS '0000 0110'b

R-0	R-0	R-0	R-0	R-0	R-0	R-0	R-0
Manufacturer ID							
bit 15				bit 8			

R-0	R-1	R-0	R-1	R-0	R-1	R-0	R-0
Manufacturer ID							
bit 7				bit 0			

#### Legend:

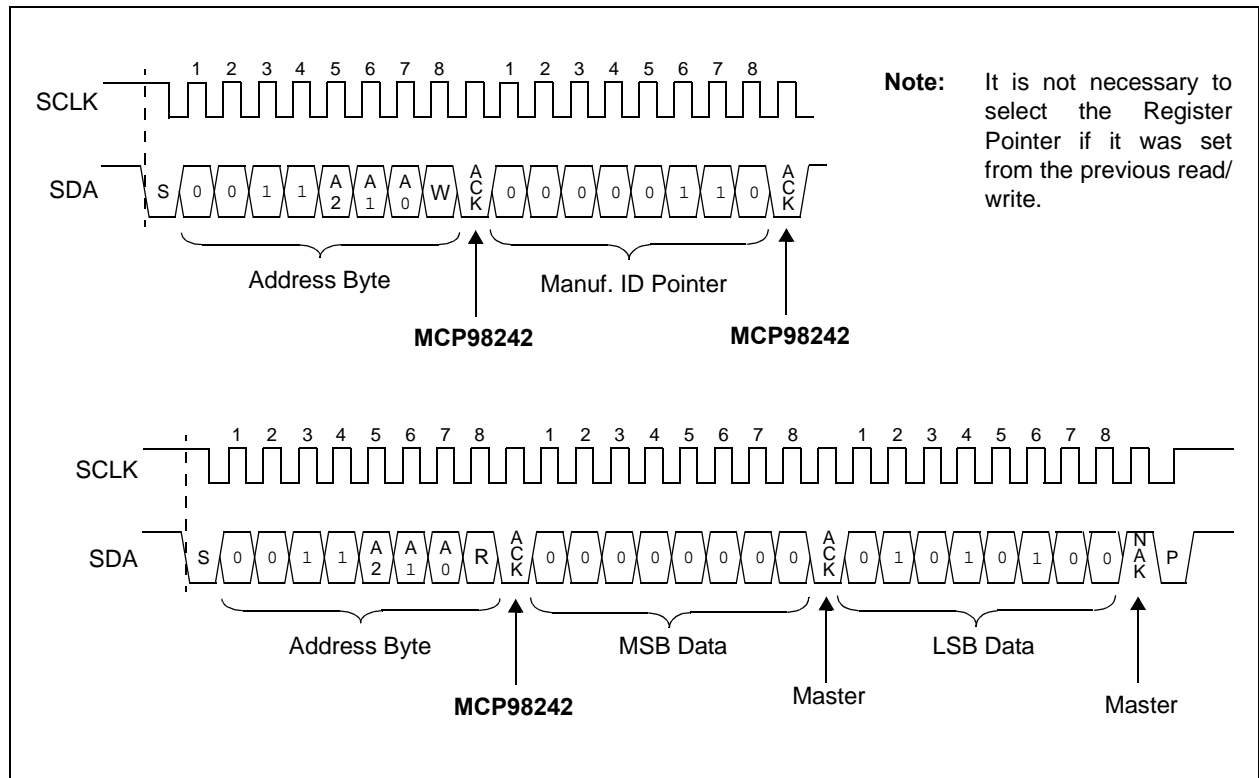
R = Readable bit  
-n = Value at POR

W = Writable bit  
'1' = Bit is set

U = Unimplemented bit, read as '0'  
'0' = Bit is cleared

x = Bit is unknown

#### bit 15-0 Device Manufacturer Identification Number



**FIGURE 5-6:** Timing Diagram for Reading the Manufacturer ID Register (See [Section 4.0 "Serial Communication"](#)).

# MCP98242

## 5.1.6 DEVICE ID AND REVISION REGISTER

The upper byte of this register is used to specify the device identification and the lower byte is used to specify device revision. The device ID for the MCP98242 is 0x21 (hex).

The revision begins with 0x00 (hex) for the first release, with the number being incremented as revised versions are released.

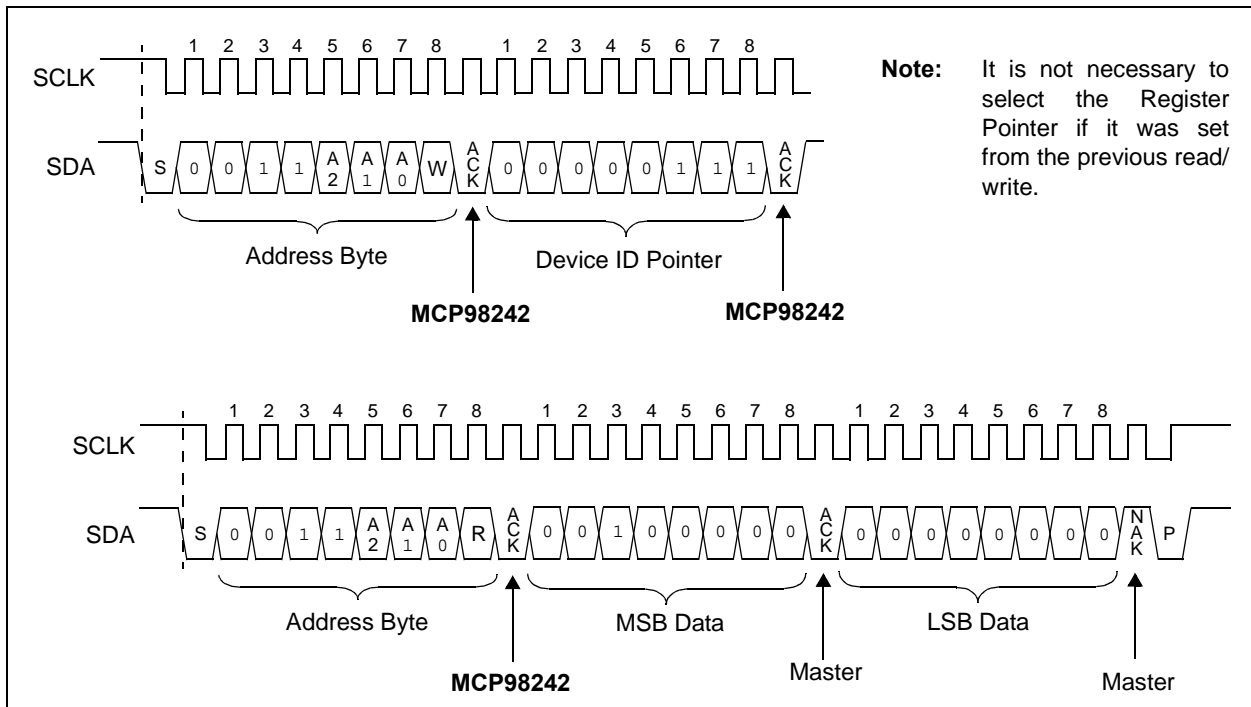
### REGISTER 5-7: DEVICE ID AND DEVICE REVISION (READ-ONLY) → ADDRESS '0000 0111'b

R-0	R-0	R-1	R-0	R-0	R-0	R-0	R-0
Device ID							
bit 15							

R-0	R-0	R-0	R-0	R-0	R-0	R-0	R-1
Device Revision							
bit 7							

<b>Legend:</b>							
R = Readable bit	W = Writable bit	U = Unimplemented bit, read as '0'					
-n = Value at POR	'1' = Bit is set	'0' = Bit is cleared	x = Bit is unknown				

bit 15-8      **Device ID:** Bit 15 to bit 8 are used for device ID  
bit 7-0        **Device Revision:** Bit 7 to bit 0 are used for device revision



**FIGURE 5-7:** Timing Diagram for Reading Device ID and Device Revision Register (See [Section 4.0](#) "Serial Communication").

## 5.1.7 RESOLUTION REGISTER

This register allows the user to change the sensor resolution (see [Section 5.2.3.3 “Temperature Resolution”](#)). The POR default resolution is 0.25°C. The selected resolution is also reflected in the Capability register (see [Register 5-2](#)).

**REGISTER 5-8: RESOLUTION → ADDRESS ‘0000 1000’b**

U-0	U-0	U-0	U-0	U-0	U-0	R/W-0	R/W-0
—	—	—	—	—	—	Resolution	
bit 7						bit 0	

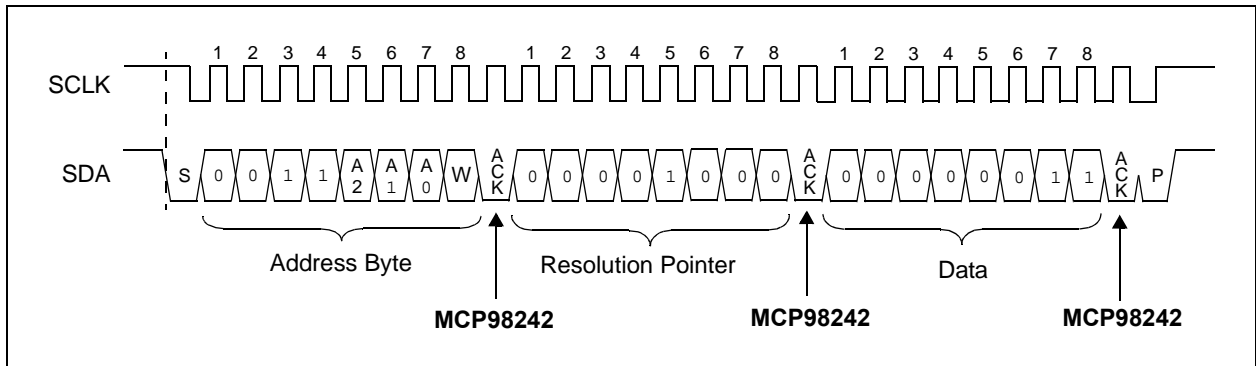
**Legend:**

R = Readable bit	W = Writable bit	U = Unimplemented bit, read as ‘0’
-n = Value at POR	‘1’ = Bit is set	‘0’ = Bit is cleared
		x = Bit is unknown

bit 7-2      **Unimplemented:** Read as ‘0’

bit 1-0      **Resolution:**

- 00 = LSB = 0.5°C ( $t_{CONV}$  = 30 ms typical)
- 01 = LSB = 0.25°C (power-up default,  $t_{CONV}$  = 65 ms typical)
- 10 = LSB = 0.125°C ( $t_{CONV}$  = 130 ms typical)
- 11 = LSB = 0.0625°C ( $t_{CONV}$  = 260 ms typical)



**FIGURE 5-8:** Timing Diagram for Changing  $T_A$  Resolution to 0.0625°C <0000 0011>b (See [Section 4.0 “Serial Communication”](#)).

# MCP98242

## 5.2 SENSOR FEATURE DESCRIPTION

### 5.2.1 SHUTDOWN MODE

Shutdown mode disables all power-consuming activities (including temperature sampling operations) while leaving the serial interface active. This mode is selected by setting bit 8 of CONFIG to '1'. In this mode, the device consumes  $I_{SHDN}$ . It remains in this mode until bit 8 is cleared '0' to enable Continuous Conversion mode, or until power is recycled.

The Shutdown bit (bit 8) cannot be set to '1' while bits 6 and 7 of CONFIG (Lock bits) are set to '1'. However, it can be cleared '0' or returned to Continuous Conversion while locked.

In Shutdown mode, all registers can be read or written. However, the serial bus activity increases the shutdown current. In addition, if the device is shutdown while the Event pin is asserted as active-low or deasserted active-low (see [Section 5.2.3.1 "Comparator Mode"](#)), the device will retain the active-low state. This increases the shutdown current due to the additional Event output pull-down current.

### 5.2.2 TEMPERATURE HYSTERESIS ( $T_{HYST}$ )

A hysteresis of 0°C, 1.5°C, 3°C or 6°C can be selected for the  $T_{UPPER}$ ,  $T_{LOWER}$  and  $T_{CRIT}$  temperature boundaries using bits 10 and 9 of CONFIG. The hysteresis applies for decreasing temperature only (hot to cold), or as temperature drifts below the specified limit.

The  $T_{UPPER}$ ,  $T_{LOWER}$  and  $T_{CRIT}$  boundary conditions are described graphically in [Figure 5-2](#).

### 5.2.3 EVENT OUTPUT CONFIGURATION

The Event output can be enabled using bit 3 of CONFIG (Event output control bit) and can be configured as either a comparator output or as Interrupt Output mode using bit 0 of CONFIG (Event mode). The polarity can also be specified as an active-high or active-low using bit 1 of CONFIG (Event polarity).

When the ambient temperature increases above the critical temperature limit, the Event output is forced to a comparator output (regardless of bit 0 of CONFIG). When the temperature drifts below the critical temperature limit minus hysteresis, the Event output automatically returns to the state specified by bit 0 of CONFIG.

The status of the Event output can be read using bit 4 of CONFIG (Event status).

Bit 7 and 6 of the CONFIG register can be used to lock the  $T_{UPPER}$ ,  $T_{LOWER}$  and  $T_{CRIT}$  registers. The bits prevent false triggers at the Event output due to an accidental rewrite to these registers.

The Event output can also be used as a critical temperature output using bit 2 of CONFIG (critical output only). When this feature is selected, the Event output becomes a comparator output. In this mode, the interrupt output configuration (bit 0 of CONFIG) is ignored.

#### 5.2.3.1 Comparator Mode

Comparator mode is selected using bit 0 of CONFIG. In this mode, the Event output is asserted as active-high or active-low using bit 1 of CONFIG. [Figure 5-2](#) shows the conditions that toggle the Event output.

If the device enters Shutdown mode with asserted Event output, the output remains asserted during Shutdown. The device must be operating in Continuous Conversion mode for  $t_{CONV}$ ; the  $T_A$  vs.  $T_{UPPER}$ ,  $T_{LOWER}$  and  $T_{CRIT}$  boundary conditions need to be satisfied in order for the Event output to deassert.

Comparator mode is useful for thermostat-type applications, such as turning on a cooling fan or triggering a system shutdown when the temperature exceeds a safe operating range.

#### 5.2.3.2 Interrupt Mode

In the Interrupt mode, the Event output is asserted as active-high or active-low (depending on the polarity configuration) when  $T_A$  drifts above or below  $T_{UPPER}$  and  $T_{LOWER}$  limits. The output is deasserted by setting bit 5 (Interrupt Clear) of CONFIG. Note that when switching from Comparator mode to Interrupt mode, it is recommended to send interrupt clear command (set bit 5) to reset the interrupt flag. Shutting down the device will not reset or deassert the Event output. This mode cannot be selected when the Event output is used as critical temperature output only, using bit 2 of CONFIG. This mode is designed for interrupt driven microcontroller-based systems. The microcontroller receiving the interrupt will have to acknowledge the interrupt by setting bit 5 of CONFIG register from the MCP98242.

#### 5.2.3.3 Temperature Resolution

The MCP98242 is capable of providing a temperature data with 0.5°C to 0.0625°C resolution. The Resolution can be selected using the Resolution register ([Register 5-8](#)) which is located in address '00001000'b. This address location is not specified in JEDEC Standard JC42.4. However, it provides additional flexibility while being functionally compatible with JC42.4 and provide a 0.25°C resolution at 125 ms (maximum). The selected resolution can be read by user using bit 4 and bit 3 of the Capability register ([Register 5-2](#)). A 0.25°C resolution is set as POR default by factory.



# MCP98242

## 5.3 EEPROM FEATURE DESCRIPTION

### 5.3.1 BYTE WRITE

To write a byte in the MCP98242 EEPROM, the master has to specify the memory location or address. Once the address byte is transmitted correctly followed by a word address, the word address is stored in the EEPROM Address Pointer. The following byte is data to be stored in the specified memory location.

Figure 5-10 shows the timing diagram.

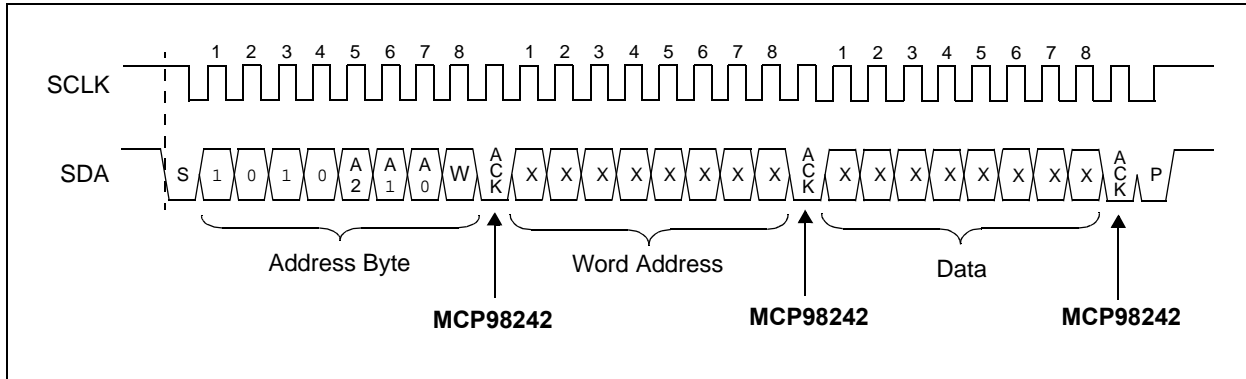
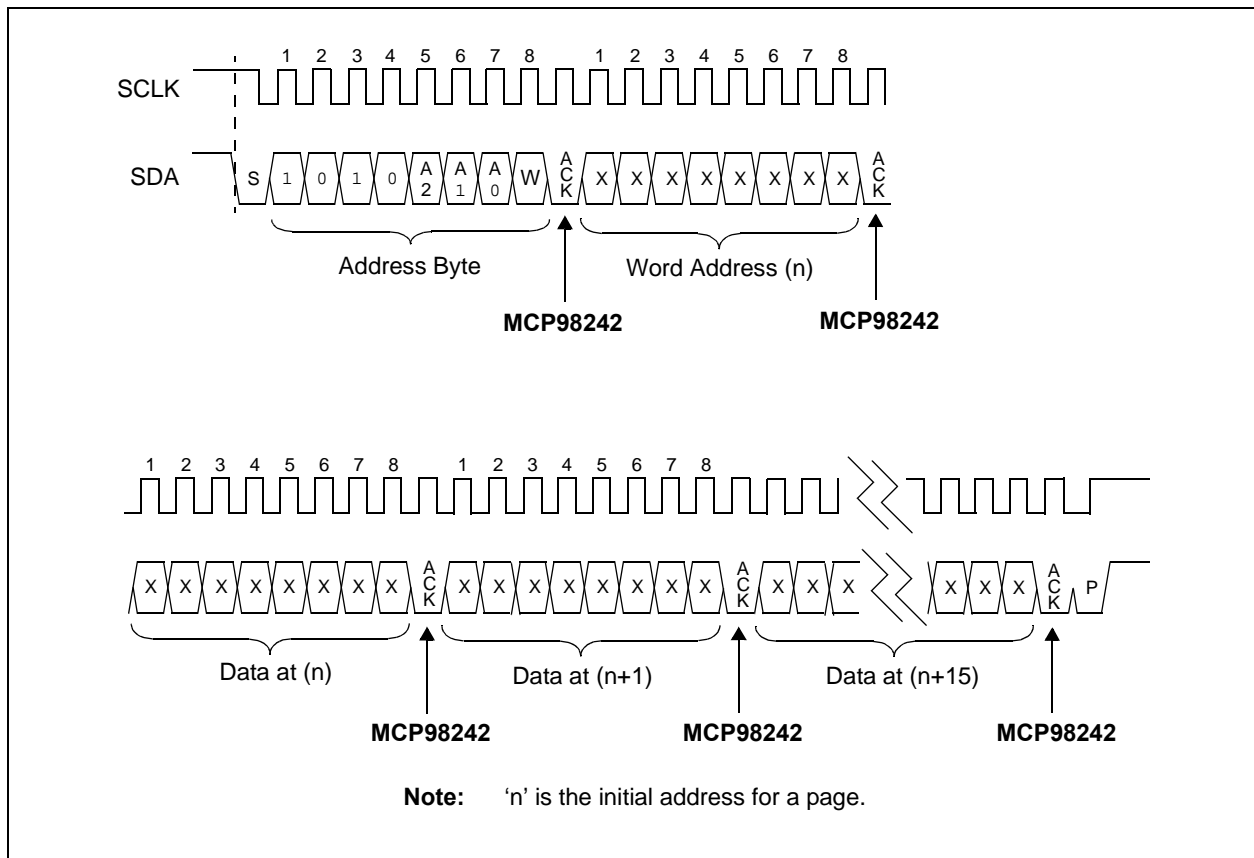


FIGURE 5-10: Timing Diagram for Byte Write (See Section 4.0 "Serial Communication").

## 5.3.2 PAGE WRITE

The write Address Byte, word address and the first data byte are transmitted to the MCP98242 in the same way as in a byte write. Instead of generating a Stop condition, the master transmits up to 15 additional data bytes to the MCP98242, which are temporarily stored in the on-chip page buffer and will be written into the memory after the master has transmitted a Stop condition. Upon receipt of each word, the four lower order Address Pointer bits are internally incremented by one. The higher order four bits of the word address remain constant. If the master should transmit more than 16 bytes prior to generating the Stop condition, the address counter will roll over and the previously received data will be overwritten. As with the byte write operation, once the Stop condition is received, an internal write cycle will begin (Figure 5-11).

**Note:** Page write operations are limited to writing bytes within a single physical page, regardless of the number of bytes actually being written. Physical page boundaries start at addresses that are integer multiples of the page buffer size (or 'page size') and end at addresses that are integer multiples of [page size - 1]. If a Page Write command attempts to write across a physical page boundary, the result is that the data wraps around to the beginning of the current page (overwriting data previously stored there), instead of being written to the next page, as might be expected. It is therefore necessary for the application software to prevent page write operations that would attempt to cross a page boundary.



**FIGURE 5-11:** Timing Diagram for Page Write (See Section 4.0 "Serial Communication").

# MCP98242

## 5.3.3 WRITE PROTECTION

The MCP98242 has a Software Write-Protect (SWP) feature that allows the lower half array (addresses 00h - 7Fh) to be write-protected or permanently write-protected (PWP). The write-protected area can be cleared by sending Clear Write-Protect (CWP) command. However, once the PWP is executed the protected memory can not be cleared. The device will not respond to the CWP command.

To access write protection, the device address code of the Address Byte is set to '0110' instead of '1010'. The '1010' Address code is used to access the memory area and the '0110' address code is used to access the write protection. Once the device is write-protected it will not acknowledge certain commands. [Table 5-3](#) shows the corresponding Address Bytes for the write-protect feature.

**TABLE 5-3: WRITE-PROTECT DEVICE ADDRESSING**

EEPROM	Operation	Address Pins			Address Byte				
		A2	A1	A0	Address Code	Slave Address			$\overline{\text{R/W}}$
						A2	A1	A0	
SWP	WRITE	GND	GND	V <sub>HI_A0</sub>	0110	0	0	1	0
	READ								1
CWP	WRITE	GND	V <sub>DD</sub>	V <sub>HI_A0</sub>	0110	0	1	1	0
	READ								1
PWP (Note)	WRITE	X	X	X	0110	X	X	X	0
	READ								1

**Note:** The address pins are 'X' or don't cares. However, the slave address bits need to match the address pins.

**TABLE 5-4: DEVICE RESPONSE WHEN WRITING DATA OR ACCESSING SWP/CWP/PWP**

Status	Command	ACK	Address	ACK	Data Byte	ACK	Write Cycle
Not Protected	SWP/CWP/PWP	ACK	X	ACK	X	ACK	Yes
	Page/byte write	ACK	Address	ACK	Data	ACK	Yes
Protected with SWP	SWP	NoACK	X	NoACK	X	NoACK	No
	CWP	ACK	X	ACK	X	ACK	Yes
	PWP	ACK	X	ACK	X	ACK	Yes
	Page/byte write lower 128 bytes	ACK	Address	ACK	Data	NoACK	No
Permanently Protected	SWP/CWP/PWP	NoACK	X	NoACK	X	NoACK	No
	Page/byte write lower 128 bytes	ACK	Address	ACK	Data	NoACK	No

**Note:** X is defined as 'don't care'.

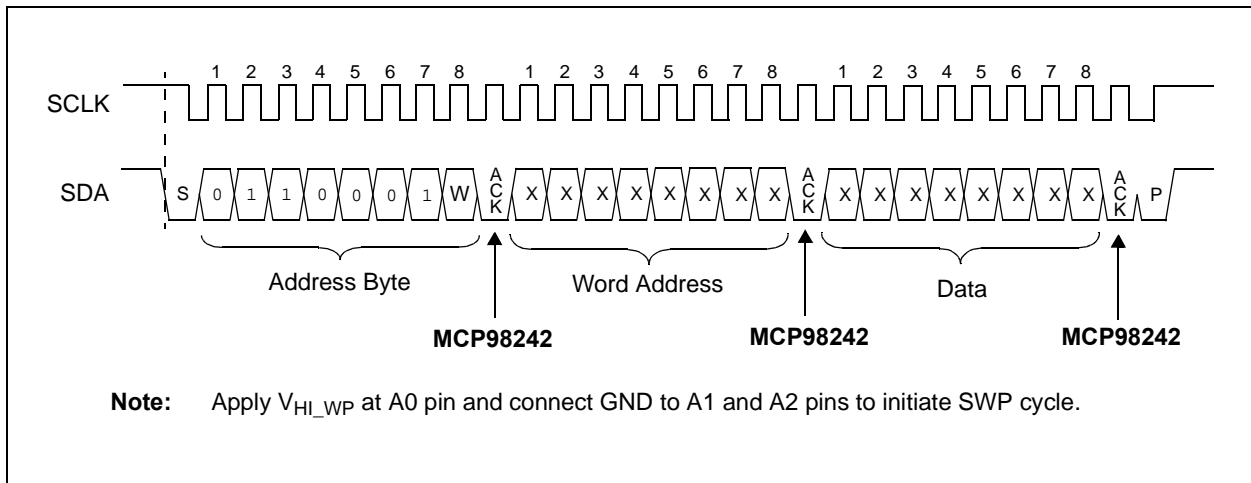


### 5.3.3.1 Software Write-Protect (SWP)

The SWP feature is invoked by writing to the write-protect register. This is done by sending an Address Byte similar to a normal Write command. [Figure 5-14](#) shows the timing diagram. SWP can be cleared using the CWP command. See [Section 5.3.3.2 “Clear Write-Protect \(CWP\)”](#).

The Slave Address bits need to correspond to the address pin logic configuration. For SWP, a high voltage  $V_{HI\_WP}$  needs to be applied to the A0 pin and the corresponding slave address needs to be set to ‘1’, as shown in [Table 5-3](#). Both A2 and A1 pins are grounded and the corresponding slave address bits are set to ‘0’.

The device response in this mode is shown in [Table 5-4](#) and [Table 5-5](#).

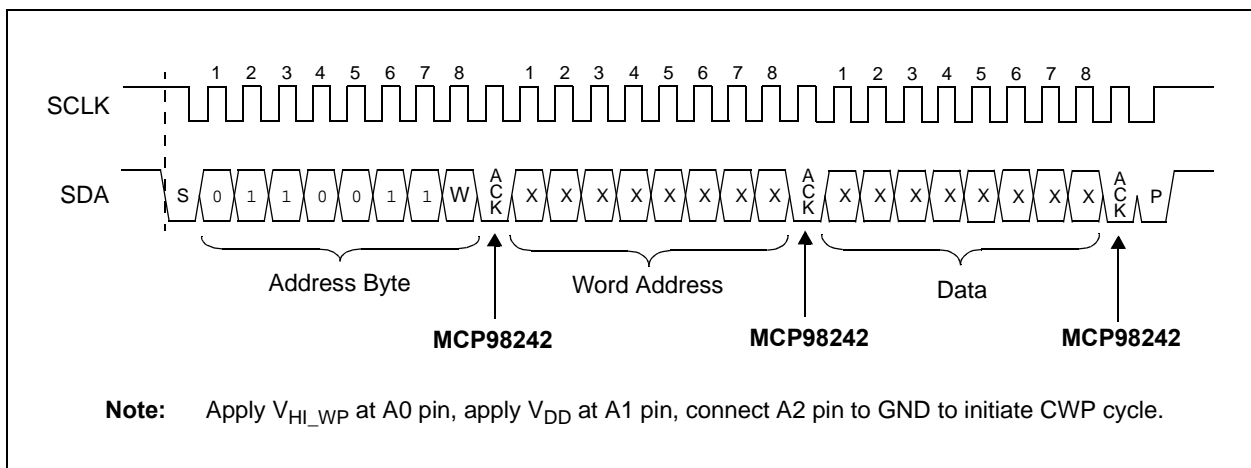


**FIGURE 5-12:** Timing Diagram for Setting Software Write-Protect (See [Section 4.0 “Serial Communication”](#)).

### 5.3.3.2 Clear Write-Protect (CWP)

The CWP feature is invoked by writing to the clear write-protect register. This is done by sending an Address Byte similar to a normal Write command. [Figure 5-14](#) shows the timing diagram. CWP clears SWP only. PWP can not be cleared using this command.

The Slave Address bits need to correspond to the address pin logic configuration. For CWP, a high voltage  $V_{HI\_WP}$  needs to be applied to the A0 pin and the corresponding slave address needs to be set to ‘1’. The A1 pin is set to  $V_{DD}$  and the corresponding slave address bit is set to ‘1’. And A2 pin is set to ground and the corresponding slave address bits are set to ‘0’. [Table 5-3](#) shows the bit configuration. The device response in this mode is shown in [Table 5-4](#) and [Table 5-5](#).



**FIGURE 5-13:** Timing Diagram for Setting Clear Write-Protect (See [Section 4.0 “Serial Communication”](#)).

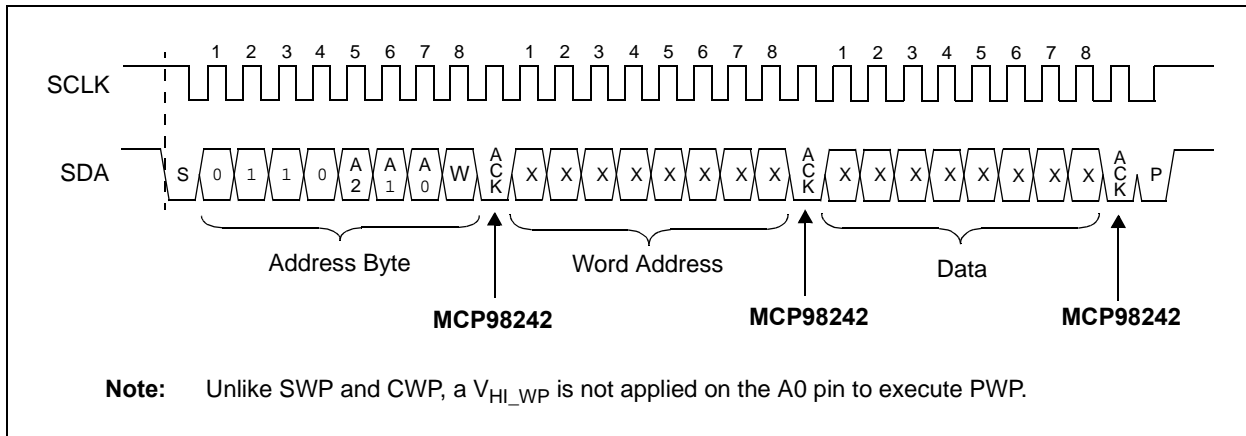
# MCP98242

## 5.3.3.3 PWP (Permanent Write-Protect)

Once the PWP register is written, the lower half of the memory will be permanent protected and the device will not acknowledge any command. The protected area of the memory can not be cleared, reversed, or re-written. If a write is attempted to the protected area, the device will acknowledge the address byte and word address but not the data byte. (See [Table 5-4](#) and [Table 5-5](#)).

**Note:** Once the Permanent Write-Protect is executed, it cannot be reversed, even if the device power is cycled.

Unlike SWP and CWP, a  $V_{HI\_WP}$  is not applied on the A0 pin to execute PWP. The state of A2, A1, and A0 is user selectable. However, the address pin states need to match the slave address bits, as shown in [Table 5-3](#).



**FIGURE 5-14:** Timing Diagram for Setting Permanently Write-Protect (See [Section 4.0 “Serial Communication”](#)).

## 5.3.4 READ OPERATION

Read operations are initiated in the same way as write operations, with the exception that the R/W bit of the slave address is set to '1'. There are three basic types of read operations: current address read, random read, and sequential read.

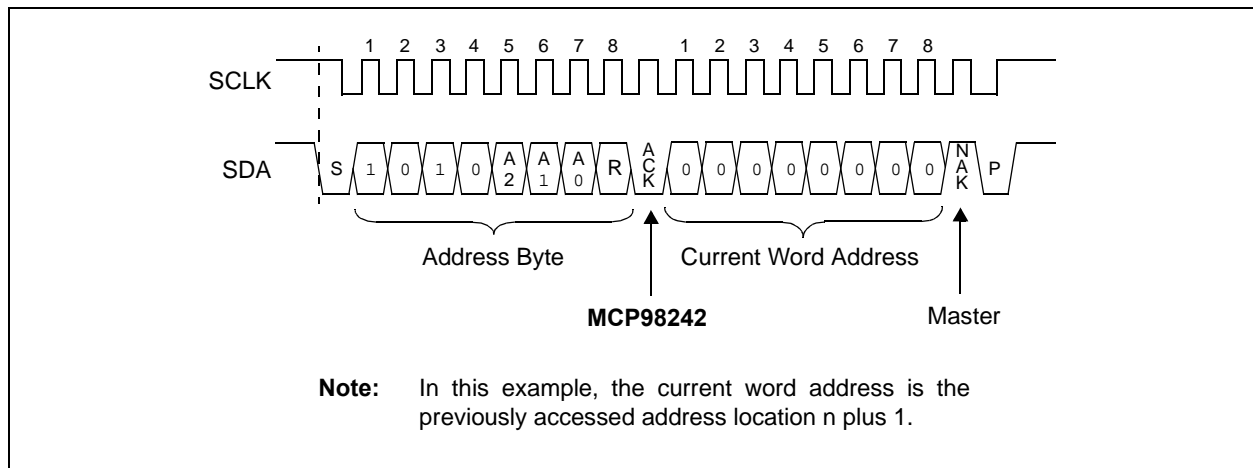
**TABLE 5-5: DEVICE RESPONSE WHEN READING SWP/CWP/PWP**

Status	Command	ACK	Address	ACK	Data Byte	ACK
Not Protected	SWP/CWP/PWP	ACK	X	NoACK	X	NoACK
Protected with SWP	SWP	NoACK	X	NoACK	X	NoACK
	CWP	ACK	X	NoACK	X	NoACK
	PWP	ACK	X	NoACK	X	NoACK
Permanently Protected	SWP/CWP/PWP	NoACK	X	NoACK	X	NoACK

**Note:** X is defined as 'don't care'.

### 5.3.4.1 Current Address Read

The MCP98242 contains an address counter that maintains the address of the last word accessed, internally incremented by '1'. Therefore, if the previous access (either a read or write operation) was to address  $n$ , the next current address read operation would access data from address  $n+1$ . Upon receipt of the slave address with R/W bit set to '1', the MCP98242 issues an Acknowledge and transmits the 8-bit data word. The master will not acknowledge (NAK) the transfer but does generate a Stop condition and the MCP98242 discontinues transmission (Figure 5-15).



**FIGURE 5-15:** Reading Current Word Address (See Section 4.0 "Serial Communication").

# MCP98242

## 5.3.4.2 Random Read

Random read operations allow the master to access any memory location in a random manner. To perform this type of read operation, the word address must first be set. This is done by sending the word address to the MCP98242 as part of a write operation. Once the word address is sent, the master generates a Start condition following the Acknowledge. This terminates the write operation, but not before the internal Address Pointer is set. The master then issues the Address Byte again, but with the  $R/\overline{W}$  bit set to a '1'. The MCP98242 then issues an Acknowledge and transmits the 8-bit data word. The master will not acknowledge the transfer but does generate a Stop condition and the MCP98242 discontinues transmission (Figure 5-16).

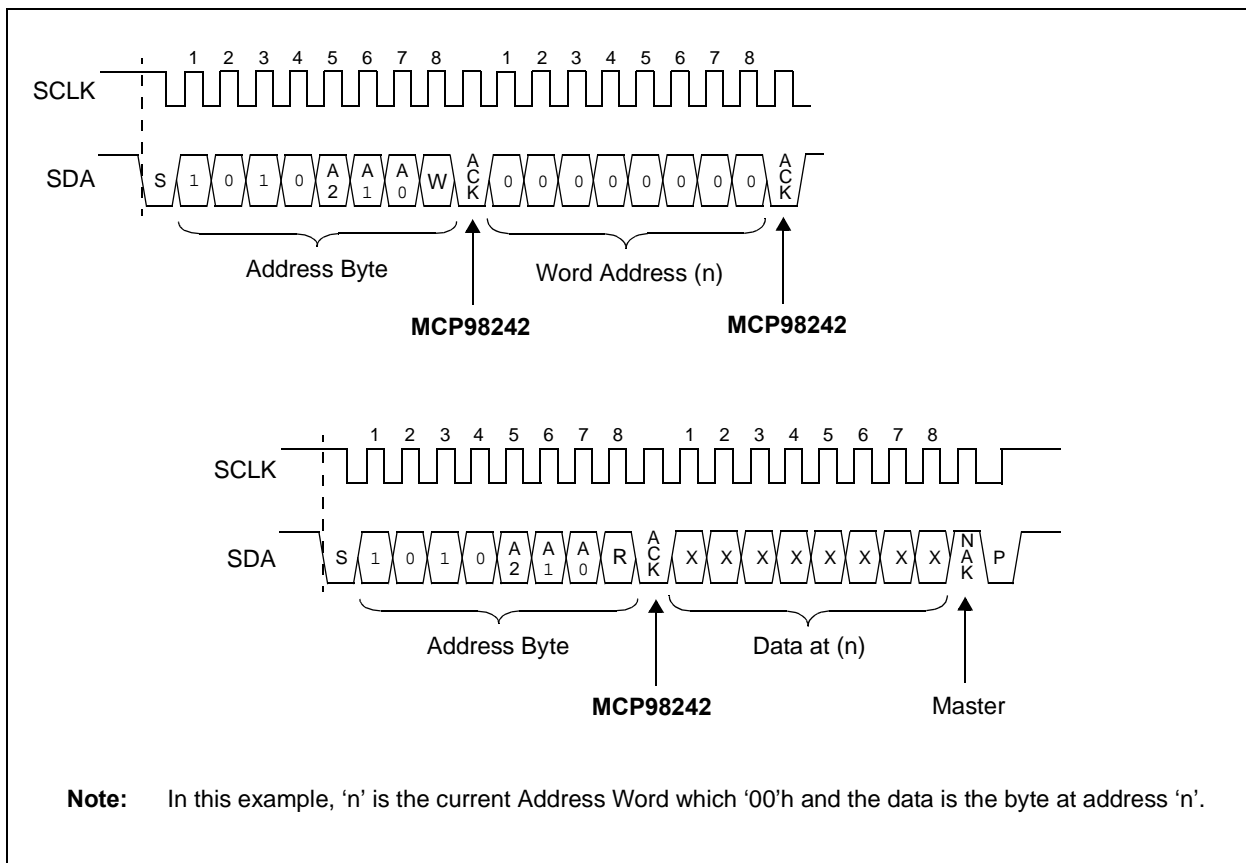
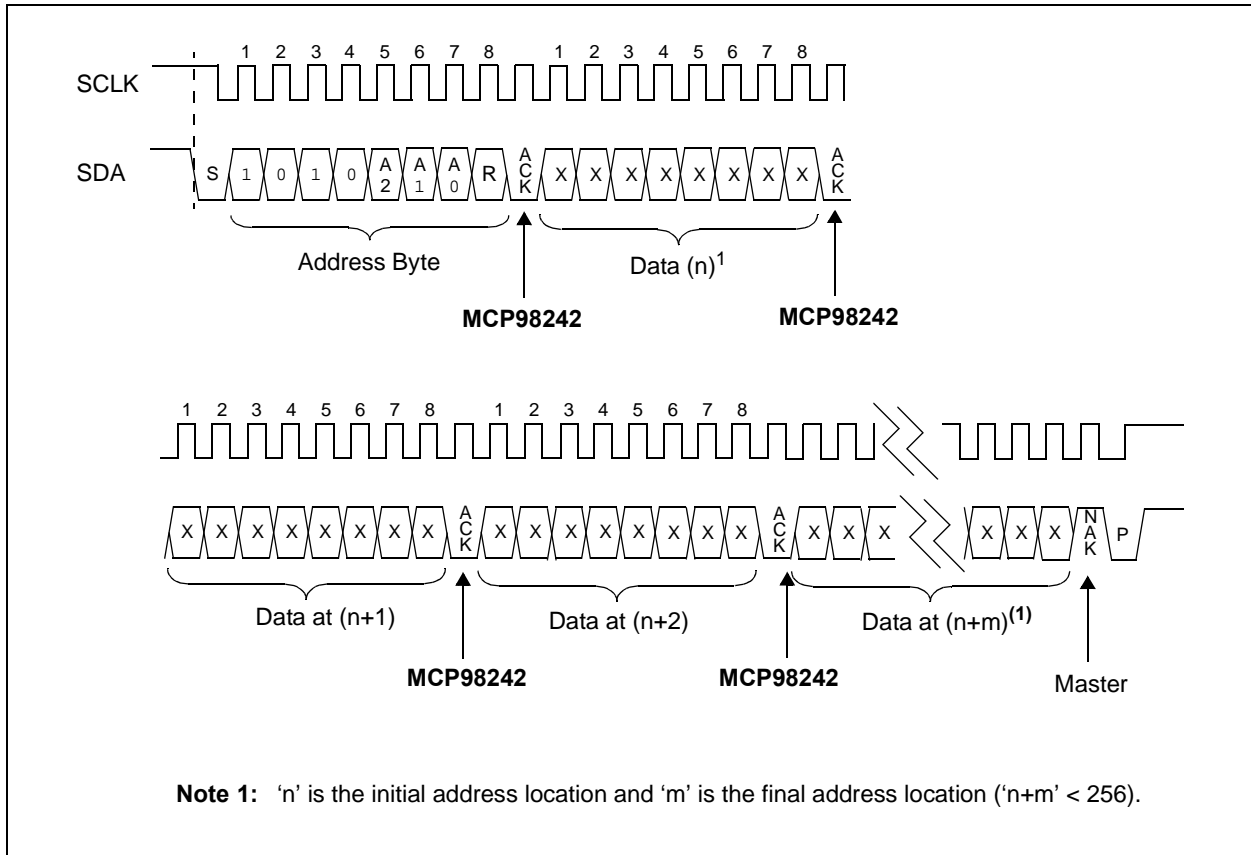


FIGURE 5-16: Timing Diagram for Random Read (See Section 4.0 "Serial Communication").

## 5.3.4.3 Sequential Read

Sequential reads are initiated in the same way as a random read, with the exception that after the MCP98242 transmits the first data byte, the master issues an Acknowledge, as opposed to a Stop condition in a random read. This directs the MCP98242 to transmit the next sequentially addressed 8-bit word (Figure 5-17).

To provide sequential reads, the MCP98242 contains an internal Address Pointer, which is incremented by one at the completion of each operation. This Address Pointer allows the entire memory contents to be serially read during one operation.



**FIGURE 5-17:** Timing Diagram for Sequential Read (See Section 4.0 “Serial Communication”).

## 5.3.5 STANDBY MODE

The design will incorporate a low-power Standby mode (I<sub>SHDN</sub>). Standby mode will be entered after a normal termination of any operation and after all internal functions are complete. This would include any error conditions occurring, such as improper number of clock cycles or improper instruction byte as defined previously.

# MCP98242

## 5.4 Summary of Temperature Sensor Power-on Default

The MCP98242 temperature sensor has an internal Power-on Reset (POR) circuit. If the power supply voltage  $V_{DD}$  glitches down to the  $V_{POR}$  threshold, the device resets the registers to the power-on default settings.

Table 5-6 shows the power-on default summary.

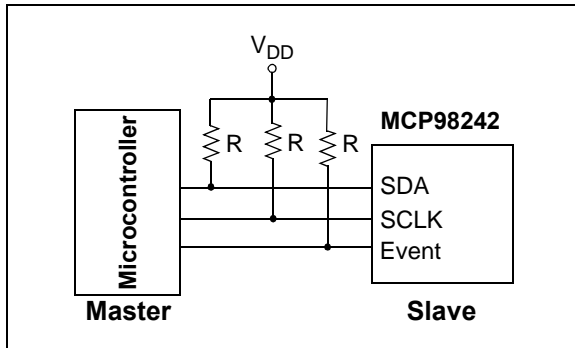
**TABLE 5-6: POWER-ON DEFAULTS**

Registers		Default Register Data (Hexadecimal)	Power-up Default Register Description
Address (Hexadecimal)	Register Label		
0x00	Capability	0x000F	0.25° Measures temperature below 0°C ±1°C accuracy over active range Temperature event output
0x01	CONFIG	0x0000	Comparator mode Active-Low output Event and critical output Output disabled Event not asserted Interrupt cleared Event limits unlocked Critical limit unlocked Continuous conversion 0°C Hysteresis
0x02	$T_{UPPER}$	0x0000	0°C
0x03	$T_{LOWER}$	0x0000	0°C
0x04	$T_{CRIT}$	0x0000	0°C
0x05	$T_A$	0x0000	0°C
0x06	Manufacturer ID	0x0054	0x0054 (hex)
0x07	Device ID/ Device Revision	0x2001	0x2001 (hex)
0x08	Resolution	0x01	0x01 (hex)

## 6.0 APPLICATIONS INFORMATION

### 6.1 Connecting to the Serial Bus

The SDA and SCLK serial interface pins are open-drain pins that require pull-up resistors. This configuration is shown in Figure 6-1.

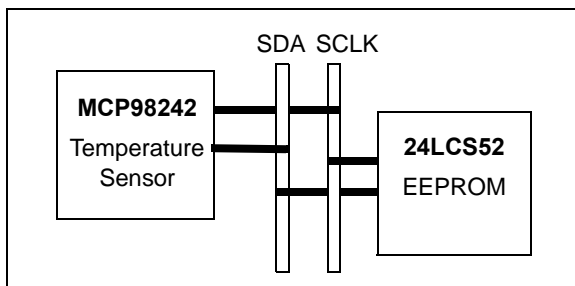


**FIGURE 6-1:** Pull-up Resistors On Serial Interface.

The number of devices connected to the bus is limited only by the maximum rise and fall times of the SDA and SCLK lines. Unlike I<sup>2</sup>C specifications, SMBus does not specify a maximum bus capacitance value. Rather, the SMBus specification requires that the maximum current through the pull-up resistor be 350  $\mu$ A and minimum 100  $\mu$ A. Because of this, the value of the pull-up resistors will vary depending on the system's bias voltage ( $V_{DD}$ ). The pull-up resistor values for a 3.3 V system ranges 9 k $\Omega$  to 33 k $\Omega$ . Minimizing bus capacitance is still very important as it directly affects the rise and fall times of the SDA and SCLK lines.

Although SMBus specifications only require the SDA and SCLK lines to pull-down 350  $\mu$ A, with a maximum voltage drop of 0.4 V, the MCP98242 is designed to meet a maximum voltage drop of 0.4 V, with 3 mA of current. This allows lower pull-up resistor values to be used, allowing the MCP98242 to handle higher bus capacitance. In such applications, all devices on the bus must meet the same pull-down current requirements.

A possible configuration using multiple devices on the SMBus is shown in Figure 6-2.



**FIGURE 6-2:** Multiple Devices on DIMM SMBus.

### 6.2 Layout Considerations

The MCP98242 does not require any additional components besides the master controller in order to measure temperature. However, it is recommended that a decoupling capacitor of 0.1  $\mu$ F to 1  $\mu$ F be used between the  $V_{DD}$  and GND pins. A high-frequency ceramic capacitor is recommended. It is necessary for the capacitor to be located as close as possible to the power and ground pins of the device in order to provide effective noise protection.

### 6.3 Thermal Considerations

A potential for self-heating errors can exist if the MCP98242 SDA, SCLK and Event lines are heavily loaded with pull-ups (high current). Typically, the self-heating error is negligible because of the relatively small current consumption of the MCP98242. A temperature accuracy error of approximately 0.5°C could result from self-heating if the communication pins sink/source the maximum current specified.

For example, if the Event output is loaded to maximum  $I_{OL}$ , Equation 6-1 can be used to determine the effect of self-heating.

#### EQUATION 6-1: EFFECT OF SELF-HEATING

$$T_{\Delta} = \theta_{JA}(V_{DD} \cdot I_{DD} + V_{OL\_Event} \cdot I_{OL\_Event} + V_{OL\_SDA} \cdot I_{OL\_SDA})$$

Where:

- $T_{\Delta} = T_J - T_A$
- $T_J =$  Junction Temperature
- $T_A =$  Ambient Temperature
- $\theta_{JA} =$  Package Thermal Resistance
- $V_{OL\_Event, SDA} =$  Event and SDA Output  $V_{OL}$  (0.4  $V_{max}$ )
- $I_{OL\_Event, SDA} =$  Event and SDA Output  $I_{OL}$  (3  $mA_{max}$ )

At room temperature ( $T_A = +25^{\circ}\text{C}$ ) with maximum  $I_{DD} = 500 \mu\text{A}$  and  $V_{DD} = 3.6\text{V}$ , the self-heating due to power dissipation  $T_{\Delta}$  is 0.2°C for the DFN-8 package and 0.5°C for the TSSOP-8 package.

# MCP98242

---

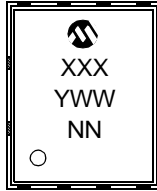
NOTES:



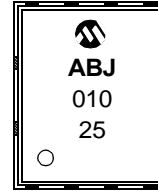
## 7.0 PACKAGING INFORMATION

### 7.1 Package Marking Information

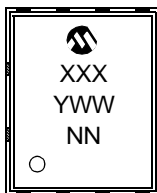
8-Lead DFN (MC)



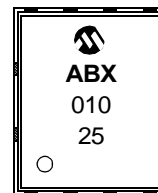
Example:



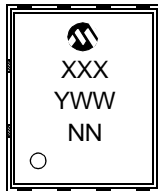
8-Lead TDFN (MNY)



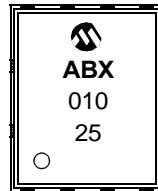
Example:



8-Lead UDFN (MUU)



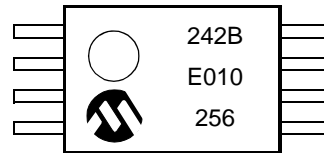
Example:



8-Lead TSSOP (ST)



Example:



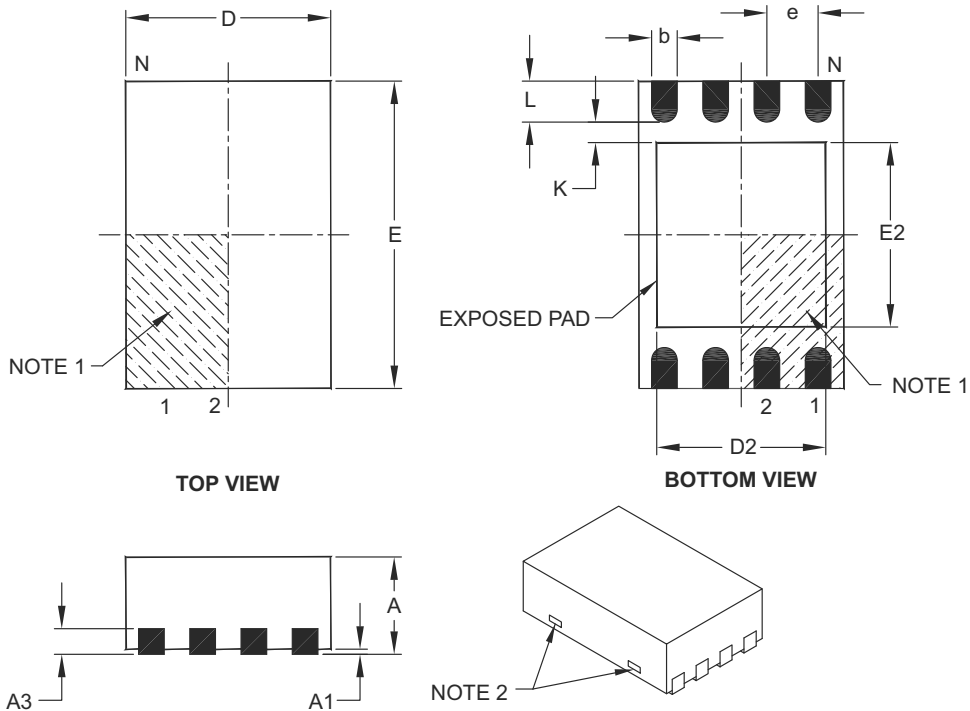
<b>Legend:</b>	XX...X	Customer-specific information
	Y	Year code (last digit of calendar year)
	YY	Year code (last 2 digits of calendar year)
	WW	Week code (week of January 1 is week '01')
	NNN	Alphanumeric traceability code
	(e3)	Pb-free JEDEC designator for Matte Tin (Sn)
	*	This package is Pb-free. The Pb-free JEDEC designator (e3) can be found on the outer packaging for this package.

**Note:** In the event the full Microchip part number cannot be marked on one line, it will be carried over to the next line, thus limiting the number of available characters for customer-specific information.

# MCP98242

## 8-Lead Plastic Dual Flat, No Lead Package (MC) – 2x3x0.9 mm Body [DFN]

**Note:** For the most current package drawings, please see the Microchip Packaging Specification located at <http://www.microchip.com/packaging>



Dimension Limits	Units	MILLIMETERS		
		MIN	NOM	MAX
Number of Pins	N	8		
Pitch	e	0.50 BSC		
Overall Height	A	0.80	0.90	1.00
Standoff	A1	0.00	0.02	0.05
Contact Thickness	A3	0.20 REF		
Overall Length	D	2.00 BSC		
Overall Width	E	3.00 BSC		
Exposed Pad Length	D2	1.30	–	1.55
Exposed Pad Width	E2	1.50	–	1.75
Contact Width	b	0.20	0.25	0.30
Contact Length	L	0.30	0.40	0.50
Contact-to-Exposed Pad	K	0.20	–	–

**Notes:**

1. Pin 1 visual index feature may vary, but must be located within the hatched area.
2. Package may have one or more exposed tie bars at ends.
3. Package is saw singulated.
4. Dimensioning and tolerancing per ASME Y14.5M.

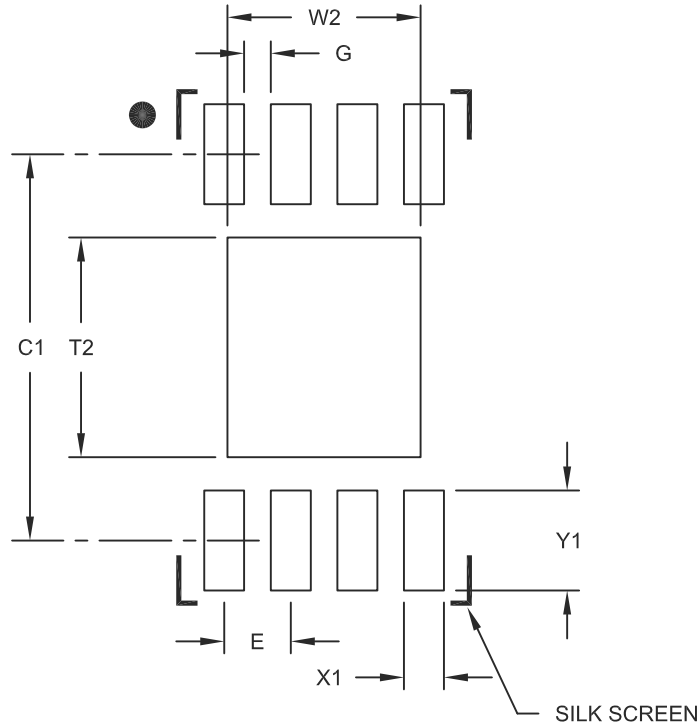
BSC: Basic Dimension. Theoretically exact value shown without tolerances.

REF: Reference Dimension, usually without tolerance, for information purposes only.

Microchip Technology Drawing C04-123C

## 8-Lead Plastic Dual Flat, No Lead Package (MC) – 2x3x0.9 mm Body [DFN]

**Note:** For the most current package drawings, please see the Microchip Packaging Specification located at <http://www.microchip.com/packaging>



RECOMMENDED LAND PATTERN

Dimension Limits	Units	MILLIMETERS		
		MIN	NOM	MAX
Contact Pitch	E	0.50 BSC		
Optional Center Pad Width	W2			1.45
Optional Center Pad Length	T2			1.75
Contact Pad Spacing	C1		2.90	
Contact Pad Width (X8)	X1			0.30
Contact Pad Length (X8)	Y1			0.75
Distance Between Pads	G	0.20		

Notes:

1. Dimensioning and tolerancing per ASME Y14.5M

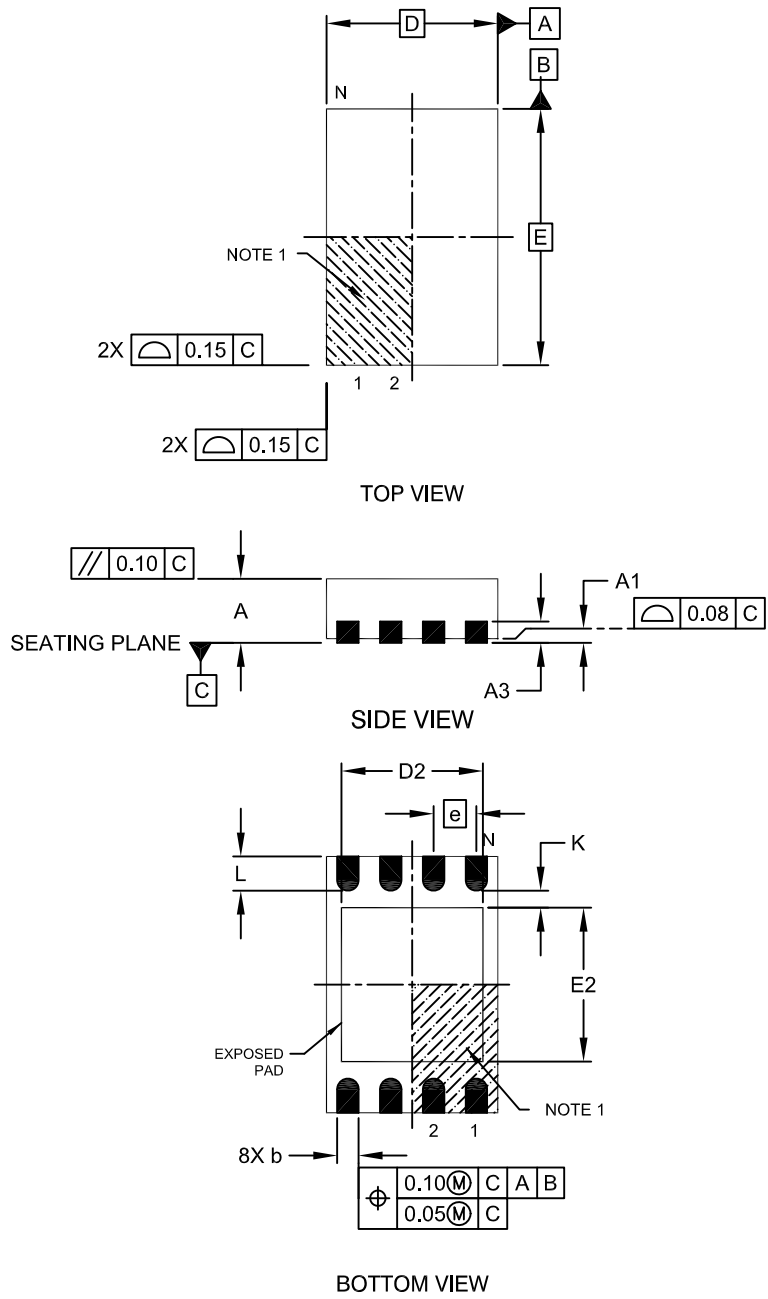
BSC: Basic Dimension. Theoretically exact value shown without tolerances.

Microchip Technology Drawing No. C04-2123A

# MCP98242

## 8-Lead Plastic Dual Flat, No Lead Package (MN) – 2x3x0.75mm Body [TDFN]

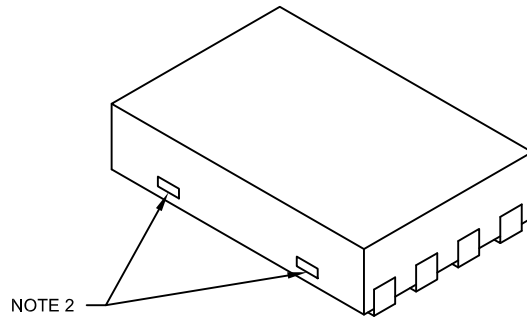
**Note:** For the most current package drawings, please see the Microchip Packaging Specification located at <http://www.microchip.com/packaging>



Microchip Technology Drawing No. C04-129C

## 8-Lead Plastic Dual Flat, No Lead Package (MN) – 2x3x0.75mm Body [TDFN]

**Note:** For the most current package drawings, please see the Microchip Packaging Specification located at <http://www.microchip.com/packaging>



Dimension Limits	Units	MILLIMETERS		
		MIN	NOM	MAX
Number of Pins	N	8		
Pitch	e	0.50 BSC		
Overall Height	A	0.70	0.75	0.80
Standoff	A1	0.00	0.02	0.05
Contact Thickness	A3	0.20 REF		
Overall Length	D	2.00 BSC		
Overall Width	E	3.00 BSC		
Exposed Pad Length	D2	1.20	-	1.60
Exposed Pad Width	E2	1.20	-	1.60
Contact Width	b	0.20	0.25	0.30
Contact Length	L	0.25	0.30	0.45
Contact-to-Exposed Pad	K	0.20	-	-

**Notes:**

1. Pin 1 visual index feature may vary, but must be located within the hatched area.
2. Package may have one or more exposed tie bars at ends.
3. Package is saw singulated
4. Dimensioning and tolerancing per ASME Y14.5M

BSC: Basic Dimension. Theoretically exact value shown without tolerances.

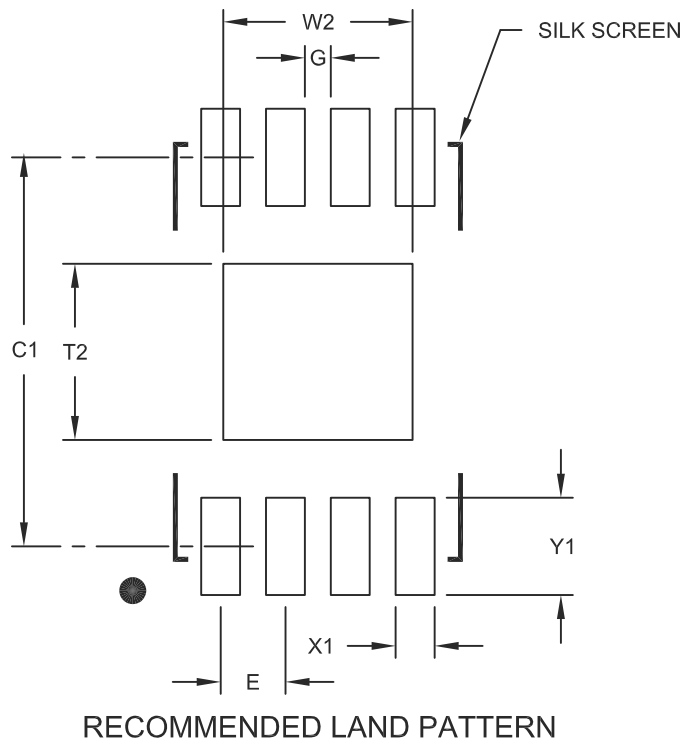
REF: Reference Dimension, usually without tolerance, for information purposes only.

Microchip Technology Drawing No. C04-129C Sheet 2 of 2

# MCP98242

## 8-Lead Plastic Dual Flat, No Lead Package (MN) – 2x3x0.75 mm Body [TDFN]

**Note:** For the most current package drawings, please see the Microchip Packaging Specification located at <http://www.microchip.com/packaging>



Dimension Limits	Units	MILLIMETERS		
		MIN	NOM	MAX
Contact Pitch	E	0.50 BSC		
Optional Center Pad Width	W2			1.46
Optional Center Pad Length	T2			1.36
Contact Pad Spacing	C1	3.00		
Contact Pad Width (X8)	X1			0.30
Contact Pad Length (X8)	Y1			0.75
Distance Between Pads	G	0.20		

**Notes:**

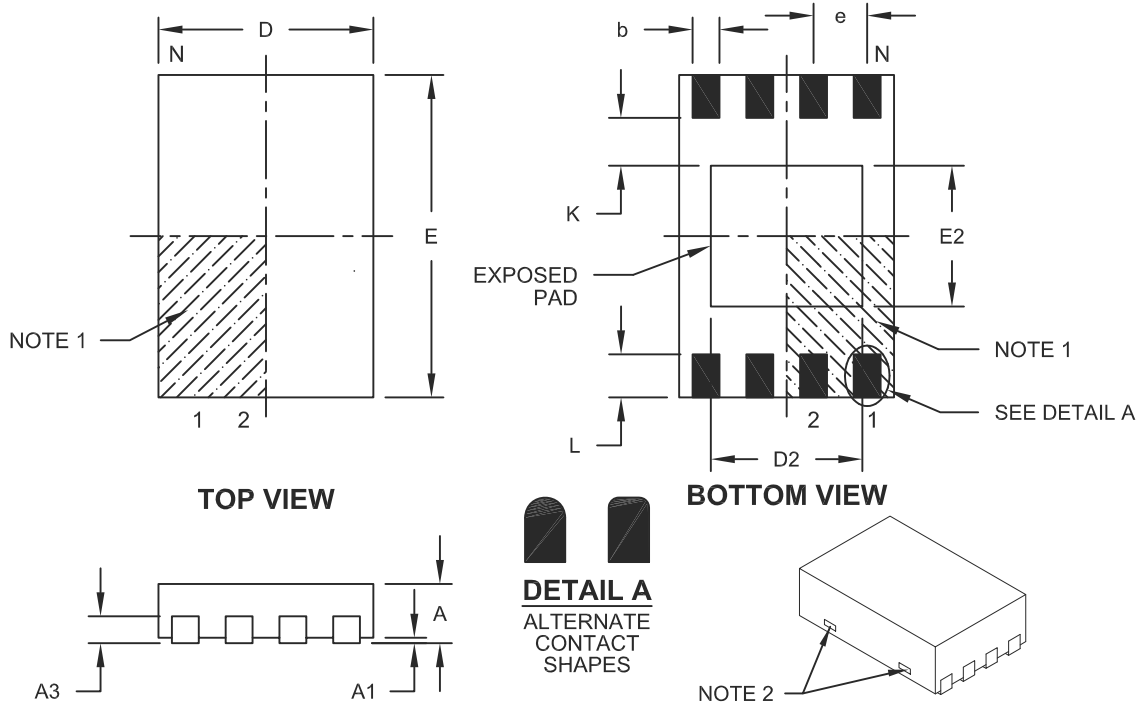
1. Dimensioning and tolerancing per ASME Y14.5M

BSC: Basic Dimension. Theoretically exact value shown without tolerances.

Microchip Technology Drawing No. C04-2129A

## 8-Lead Plastic Dual Flat, No Lead Package (MU) – 2x3x0.5 mm Body [UDFN]

**Note:** For the most current package drawings, please see the Microchip Packaging Specification located at <http://www.microchip.com/packaging>



Dimension Limits	Units	MILLIMETERS		
		MIN	NOM	MAX
Number of Pins	N	8		
Pitch	e	0.50 BSC		
Overall Height	A	0.45	0.50	0.55
Standoff	A1			0.07
Contact Thickness	A3	0.127 REF		
Overall Length	D	1.95	2.00	2.05
Overall Width	E	2.95	3.00	3.05
Exposed Pad Length	D2	1.30	1.40	1.50
Exposed Pad Width	E2	1.20	1.30	1.40
Contact Width	b	0.20	0.25	0.30
Contact Length	L	0.25	0.30	0.35
Contact-to-Exposed Pad	K	0.55 REF		

**Notes:**

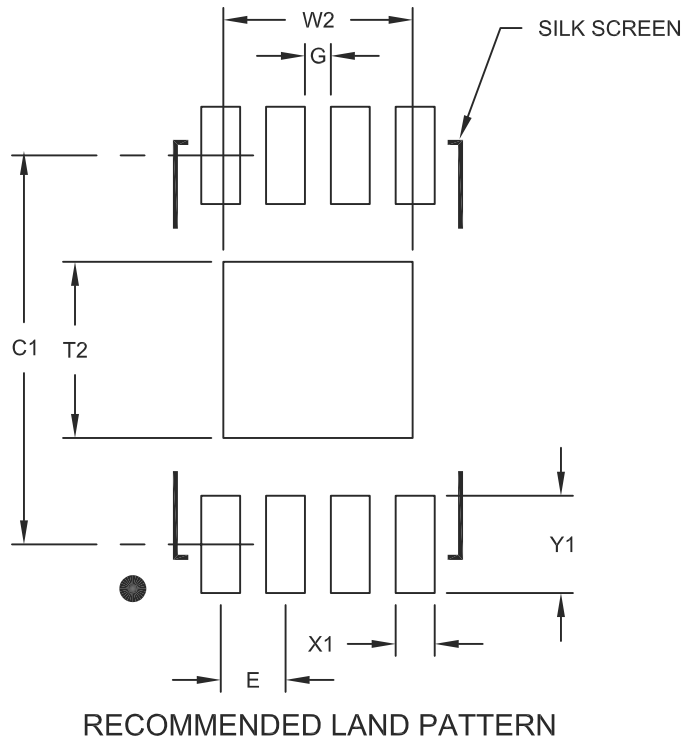
1. Pin 1 visual index feature may vary, but must be located within the hatched area.
2. Package may have one or more exposed tie bars at ends.
3. Package is saw singulated
4. Dimensioning and tolerancing per ASME Y14.5M
  - BSC: Basic Dimension. Theoretically exact value shown without tolerances.
  - REF: Reference Dimension, usually without tolerance, for information purposes only.

Microchip Technology Drawing No. C04-136B

# MCP98242

## 8-Lead Plastic Dual Flat, No Lead Package (MU) – 2x3x0.5 mm Body [UDFN]

**Note:** For the most current package drawings, please see the Microchip Packaging Specification located at <http://www.microchip.com/packaging>



Units		MILLIMETERS		
Dimension Limits		MIN	NOM	MAX
Contact Pitch	E	0.50 BSC		
Optional Center Pad Width	W2			1.46
Optional Center Pad Length	T2			1.36
Contact Pad Spacing	C1		3.00	
Contact Pad Width (X8)	X1			0.30
Contact Pad Length (X8)	Y1			0.75
Distance Between Pads	G	0.20		

**Notes:**

1. Dimensioning and tolerancing per ASME Y14.5M

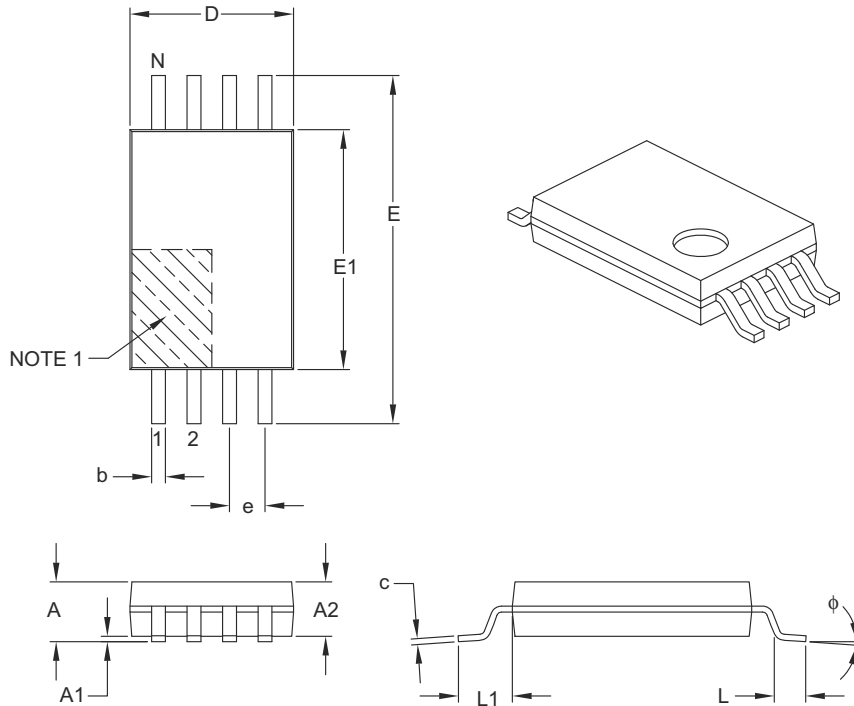
BSC: Basic Dimension. Theoretically exact value shown without tolerances.

Microchip Technology Drawing No. C04-2136A



## 8-Lead Plastic Thin Shrink Small Outline (ST) – 4.4 mm Body [TSSOP]

**Note:** For the most current package drawings, please see the Microchip Packaging Specification located at <http://www.microchip.com/packaging>



Dimension Limits	Units	MILLIMETERS		
		MIN	NOM	MAX
Number of Pins	N	8		
Pitch	e	0.65 BSC		
Overall Height	A	–	–	1.20
Molded Package Thickness	A2	0.80	1.00	1.05
Standoff	A1	0.05	–	0.15
Overall Width	E	6.40 BSC		
Molded Package Width	E1	4.30	4.40	4.50
Molded Package Length	D	2.90	3.00	3.10
Foot Length	L	0.45	0.60	0.75
Footprint	L1	1.00 REF		
Foot Angle	$\phi$	0°	–	8°
Lead Thickness	c	0.09	–	0.20
Lead Width	b	0.19	–	0.30

**Notes:**

- Pin 1 visual index feature may vary, but must be located within the hatched area.
- Dimensions D and E1 do not include mold flash or protrusions. Mold flash or protrusions shall not exceed 0.15 mm per side.
- Dimensioning and tolerancing per ASME Y14.5M.

BSC: Basic Dimension. Theoretically exact value shown without tolerances.

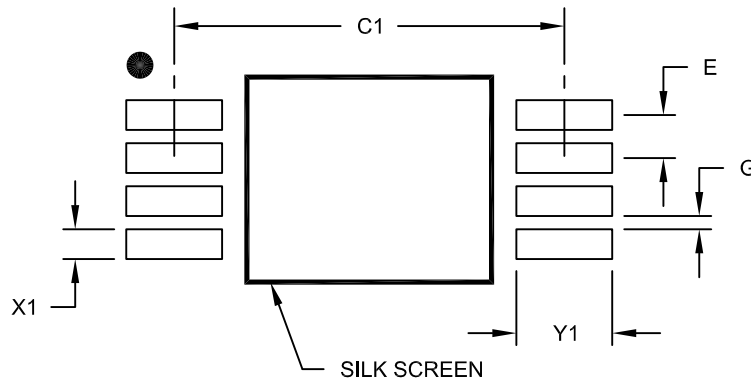
REF: Reference Dimension, usually without tolerance, for information purposes only.

Microchip Technology Drawing C04-086B

# MCP98242

## 8-Lead Plastic Thin Shrink Small Outline (ST) - 4.4 mm Body [TSSOP]

**Note:** For the most current package drawings, please see the Microchip Packaging Specification located at <http://www.microchip.com/packaging>



### RECOMMENDED LAND PATTERN

		Units	MILLIMETERS		
Dimension Limits			MIN	NOM	MAX
Contact Pitch	E		0.65 BSC		
Contact Pad Spacing	C1			5.90	
Contact Pad Width (X8)	X1				0.45
Contact Pad Length (X8)	Y1				1.45
Distance Between Pads	G	0.20			

**Notes:**

1. Dimensioning and tolerancing per ASME Y14.5M

BSC: Basic Dimension. Theoretically exact value shown without tolerances.

Microchip Technology Drawing No. C04-2086A

## APPENDIX A: REVISION HISTORY

### Revision D (October 2010)

The following is the list of modifications:

1. Added the UDFN package.

### Revision C (July 2009)

The following is the list of modifications:

1. Updated the DFN/TDFN package throughout document.
2. Updated [Table 5-1](#) and [Table 5-6](#).
3. Updated Register 5-3, Register 5-5, Register 5-7 and Register 5-8.
4. Updated **Section 5.1.6 “Device ID and Revision Register”**.
5. Added **Section 5.2.3.2 “Interrupt Mode”**.
6. Updated [Figure 5-9](#).
7. **Section 7.0 “Packaging Information”**: Updated package outline drawings.

### Revision B (February 2008)

The following is the list of modifications:

1. Added TDFN package throughout document.

### Revision A (September 2006)

- Original Release of this Document.

# MCP98242

---

NOTES:

## PRODUCT IDENTIFICATION SYSTEM

To order or obtain information, e.g., on pricing or delivery, refer to the factory or the listed sales office.

<u>PART NO.</u>	<u>-X</u>	<u>X</u>	<u>/XXX</u>
Device	Grade	Temperature Range	Package
<p><b>Device:</b> MCP98242: Digital Temperature Sensor MCP98242T: Digital Temperature Sensor (Tape and Reel)</p> <p><b>Grade:</b> B = <math>\pm 1^{\circ}\text{C}</math> (max.) from <math>+75^{\circ}\text{C}</math> to <math>+95^{\circ}\text{C}</math>, <math>\pm 2^{\circ}\text{C}</math> (max.) from <math>+40^{\circ}\text{C}</math> to <math>+125^{\circ}\text{C}</math>, and <math>\pm 3^{\circ}\text{C}</math> (max.) from <math>-20^{\circ}\text{C}</math> to <math>+125^{\circ}\text{C}</math></p> <p><b>Temperature Range:</b> E = <math>-40^{\circ}\text{C}</math> to <math>+125^{\circ}\text{C}</math></p> <p><b>Package:</b> MC = Dual Flat No Lead (2x3 mm Body), 8-lead, MCBAC<sup>(1)</sup> = Dual Flat No Lead (2x3 mm Body), 8-lead, MUY<sup>(2)</sup> = Dual Flat No Lead (2x3 mm Body), 8-lead, MNY<sup>(2)</sup> = Dual Flat No Lead (2x3 mm Body), 8-lead, MNYBAC<sup>(1,2)</sup> = Dual Flat No Lead (2x3 mm Body), 8-lead, ST = Plastic Thin Shrink Small Outline (4x4 mm Body), 8-lead</p> <p><b>Note 1:</b> "Y" is Nickel Palladium Gold manufacturing designator. Only available on the TDFN and UDFN packages for this family of products.</p> <p><b>Note 2:</b> "BAC" is a non-standard reel manufacturing designator. It designates parts in 8 mm wide by 4 mm wide pitch (Tape and Reel) on a 13 inch reel with 11k base quantity.</p>			
<p><b>Examples:</b></p> <p>a) MCP98242-BE/MC: Extended Temp., 8LD DFN pkg.</p> <p>b) MCP98242T-BE/MC: Tape and Reel, Extended Temp., 8LD DFN pkg.</p> <p>c) MCP98242-BE/ST: Extended Temp., 8LD TSSOP pkg.</p> <p>d) MCP98242T-BE/ST: Tape and Reel, Extended Temp., 8LD TSSOP pkg.</p> <p>e) MCP98242-BE/MNY: Extended Temp., 8LD TDFN (nickel palladium gold) pkg.</p> <p>f) MCP98242-BE/MUY: Extended Temp., 8LD UDFN (nickel palladium gold) pkg.</p>			

# MCP98242

---

NOTES:

---

**Note the following details of the code protection feature on Microchip devices:**

- Microchip products meet the specification contained in their particular Microchip Data Sheet.
- Microchip believes that its family of products is one of the most secure families of its kind on the market today, when used in the intended manner and under normal conditions.
- There are dishonest and possibly illegal methods used to breach the code protection feature. All of these methods, to our knowledge, require using the Microchip products in a manner outside the operating specifications contained in Microchip's Data Sheets. Most likely, the person doing so is engaged in theft of intellectual property.
- Microchip is willing to work with the customer who is concerned about the integrity of their code.
- Neither Microchip nor any other semiconductor manufacturer can guarantee the security of their code. Code protection does not mean that we are guaranteeing the product as “unbreakable.”

Code protection is constantly evolving. We at Microchip are committed to continuously improving the code protection features of our products. Attempts to break Microchip's code protection feature may be a violation of the Digital Millennium Copyright Act. If such acts allow unauthorized access to your software or other copyrighted work, you may have a right to sue for relief under that Act.

---

Information contained in this publication regarding device applications and the like is provided only for your convenience and may be superseded by updates. It is your responsibility to ensure that your application meets with your specifications. MICROCHIP MAKES NO REPRESENTATIONS OR WARRANTIES OF ANY KIND WHETHER EXPRESS OR IMPLIED, WRITTEN OR ORAL, STATUTORY OR OTHERWISE, RELATED TO THE INFORMATION, INCLUDING BUT NOT LIMITED TO ITS CONDITION, QUALITY, PERFORMANCE, MERCHANTABILITY OR FITNESS FOR PURPOSE. Microchip disclaims all liability arising from this information and its use. Use of Microchip devices in life support and/or safety applications is entirely at the buyer's risk, and the buyer agrees to defend, indemnify and hold harmless Microchip from any and all damages, claims, suits, or expenses resulting from such use. No licenses are conveyed, implicitly or otherwise, under any Microchip intellectual property rights.

**Trademarks**

The Microchip name and logo, the Microchip logo, dsPIC, KEELOQ, KEELOQ logo, MPLAB, PIC, PICmicro, PICSTART, PIC<sup>32</sup> logo, rPIC and UNI/O are registered trademarks of Microchip Technology Incorporated in the U.S.A. and other countries.

FilterLab, Hampshire, HI-TECH C, Linear Active Thermistor, MXDEV, MXLAB, SEEVAL and The Embedded Control Solutions Company are registered trademarks of Microchip Technology Incorporated in the U.S.A.

Analog-for-the-Digital Age, Application Maestro, CodeGuard, dsPICDEM, dsPICDEM.net, dsPICworks, dsSPEAK, ECAN, ECONOMONITOR, FanSense, HI-TIDE, In-Circuit Serial Programming, ICSP, Mindi, MiWi, MPASM, MPLAB Certified logo, MPLIB, MPLINK, mTouch, Omniscient Code Generation, PICC, PICC-18, PICDEM, PICDEM.net, PICkit, PICTail, REAL ICE, rLAB, Select Mode, Total Endurance, TSHARC, UniWinDriver, WiperLock and ZENA are trademarks of Microchip Technology Incorporated in the U.S.A. and other countries.

SQTP is a service mark of Microchip Technology Incorporated in the U.S.A.

All other trademarks mentioned herein are property of their respective companies.

© 2010, Microchip Technology Incorporated, Printed in the U.S.A., All Rights Reserved.

 Printed on recycled paper.

ISBN: 978-1-60932-688-3

*Microchip received ISO/TS-16949:2002 certification for its worldwide headquarters, design and wafer fabrication facilities in Chandler and Tempe, Arizona; Gresham, Oregon and design centers in California and India. The Company's quality system processes and procedures are for its PIC<sup>®</sup> MCUs and dsPIC<sup>®</sup> DSCs, KEELOQ<sup>®</sup> code hopping devices, Serial EEPROMs, microperipherals, nonvolatile memory and analog products. In addition, Microchip's quality system for the design and manufacture of development systems is ISO 9001:2000 certified.*

**QUALITY MANAGEMENT SYSTEM  
CERTIFIED BY DNV  
== ISO/TS 16949:2002 ==**



# MICROCHIP

## Worldwide Sales and Service

### AMERICAS

**Corporate Office**  
2355 West Chandler Blvd.  
Chandler, AZ 85224-6199  
Tel: 480-792-7200  
Fax: 480-792-7277  
Technical Support:  
<http://support.microchip.com>  
Web Address:  
[www.microchip.com](http://www.microchip.com)

**Atlanta**  
Duluth, GA  
Tel: 678-957-9614  
Fax: 678-957-1455

**Boston**  
Westborough, MA  
Tel: 774-760-0087  
Fax: 774-760-0088

**Chicago**  
Itasca, IL  
Tel: 630-285-0071  
Fax: 630-285-0075

**Cleveland**  
Independence, OH  
Tel: 216-447-0464  
Fax: 216-447-0643

**Dallas**  
Addison, TX  
Tel: 972-818-7423  
Fax: 972-818-2924

**Detroit**  
Farmington Hills, MI  
Tel: 248-538-2250  
Fax: 248-538-2260

**Kokomo**  
Kokomo, IN  
Tel: 765-864-8360  
Fax: 765-864-8387

**Los Angeles**  
Mission Viejo, CA  
Tel: 949-462-9523  
Fax: 949-462-9608

**Santa Clara**  
Santa Clara, CA  
Tel: 408-961-6444  
Fax: 408-961-6445

**Toronto**  
Mississauga, Ontario,  
Canada  
Tel: 905-673-0699  
Fax: 905-673-6509

### ASIA/PACIFIC

**Asia Pacific Office**  
Suites 3707-14, 37th Floor  
Tower 6, The Gateway  
Harbour City, Kowloon  
Hong Kong  
Tel: 852-2401-1200  
Fax: 852-2401-3431

**Australia - Sydney**  
Tel: 61-2-9868-6733  
Fax: 61-2-9868-6755

**China - Beijing**  
Tel: 86-10-8528-2100  
Fax: 86-10-8528-2104

**China - Chengdu**  
Tel: 86-28-8665-5511  
Fax: 86-28-8665-7889

**China - Chongqing**  
Tel: 86-23-8980-9588  
Fax: 86-23-8980-9500

**China - Hong Kong SAR**  
Tel: 852-2401-1200  
Fax: 852-2401-3431

**China - Nanjing**  
Tel: 86-25-8473-2460  
Fax: 86-25-8473-2470

**China - Qingdao**  
Tel: 86-532-8502-7355  
Fax: 86-532-8502-7205

**China - Shanghai**  
Tel: 86-21-5407-5533  
Fax: 86-21-5407-5066

**China - Shenyang**  
Tel: 86-24-2334-2829  
Fax: 86-24-2334-2393

**China - Shenzhen**  
Tel: 86-755-8203-2660  
Fax: 86-755-8203-1760

**China - Wuhan**  
Tel: 86-27-5980-5300  
Fax: 86-27-5980-5118

**China - Xian**  
Tel: 86-29-8833-7252  
Fax: 86-29-8833-7256

**China - Xiamen**  
Tel: 86-592-2388138  
Fax: 86-592-2388130

**China - Zhuhai**  
Tel: 86-756-3210040  
Fax: 86-756-3210049

### ASIA/PACIFIC

**India - Bangalore**  
Tel: 91-80-3090-4444  
Fax: 91-80-3090-4123

**India - New Delhi**  
Tel: 91-11-4160-8631  
Fax: 91-11-4160-8632

**India - Pune**  
Tel: 91-20-2566-1512  
Fax: 91-20-2566-1513

**Japan - Yokohama**  
Tel: 81-45-471- 6166  
Fax: 81-45-471-6122

**Korea - Daegu**  
Tel: 82-53-744-4301  
Fax: 82-53-744-4302

**Korea - Seoul**  
Tel: 82-2-554-7200  
Fax: 82-2-558-5932 or  
82-2-558-5934

**Malaysia - Kuala Lumpur**  
Tel: 60-3-6201-9857  
Fax: 60-3-6201-9859

**Malaysia - Penang**  
Tel: 60-4-227-8870  
Fax: 60-4-227-4068

**Philippines - Manila**  
Tel: 63-2-634-9065  
Fax: 63-2-634-9069

**Singapore**  
Tel: 65-6334-8870  
Fax: 65-6334-8850

**Taiwan - Hsin Chu**  
Tel: 886-3-6578-300  
Fax: 886-3-6578-370

**Taiwan - Kaohsiung**  
Tel: 886-7-213-7830  
Fax: 886-7-330-9305

**Taiwan - Taipei**  
Tel: 886-2-2500-6610  
Fax: 886-2-2508-0102

**Thailand - Bangkok**  
Tel: 66-2-694-1351  
Fax: 66-2-694-1350

### EUROPE

**Austria - Wels**  
Tel: 43-7242-2244-39  
Fax: 43-7242-2244-393

**Denmark - Copenhagen**  
Tel: 45-4450-2828  
Fax: 45-4485-2829

**France - Paris**  
Tel: 33-1-69-53-63-20  
Fax: 33-1-69-30-90-79

**Germany - Munich**  
Tel: 49-89-627-144-0  
Fax: 49-89-627-144-44

**Italy - Milan**  
Tel: 39-0331-742611  
Fax: 39-0331-466781

**Netherlands - Drunen**  
Tel: 31-416-690399  
Fax: 31-416-690340

**Spain - Madrid**  
Tel: 34-91-708-08-90  
Fax: 34-91-708-08-91

**UK - Wokingham**  
Tel: 44-118-921-5869  
Fax: 44-118-921-5820

08/04/10





Компания «ЭлектроПласт» предлагает заключение долгосрочных отношений при поставках импортных электронных компонентов на взаимовыгодных условиях!

Наши преимущества:

- Оперативные поставки широкого спектра электронных компонентов отечественного и импортного производства напрямую от производителей и с крупнейших мировых складов;
- Поставка более 17-ти миллионов наименований электронных компонентов;
- Поставка сложных, дефицитных, либо снятых с производства позиций;
- Оперативные сроки поставки под заказ (от 5 рабочих дней);
- Экспресс доставка в любую точку России;
- Техническая поддержка проекта, помощь в подборе аналогов, поставка прототипов;
- Система менеджмента качества сертифицирована по Международному стандарту ISO 9001;
- Лицензия ФСБ на осуществление работ с использованием сведений, составляющих государственную тайну;
- Поставка специализированных компонентов (Xilinx, Altera, Analog Devices, Intersil, Interpoint, Microsemi, Aeroflex, Peregrine, Syfer, Eurofarad, Texas Instrument, Miteq, Cobham, E2V, MA-COM, Hittite, Mini-Circuits, General Dynamics и др.);

Помимо этого, одним из направлений компании «ЭлектроПласт» является направление «Источники питания». Мы предлагаем Вам помощь Конструкторского отдела:

- Подбор оптимального решения, техническое обоснование при выборе компонента;
- Подбор аналогов;
- Консультации по применению компонента;
- Поставка образцов и прототипов;
- Техническая поддержка проекта;
- Защита от снятия компонента с производства.



#### Как с нами связаться

**Телефон:** 8 (812) 309 58 32 (многоканальный)

**Факс:** 8 (812) 320-02-42

**Электронная почта:** [org@eplast1.ru](mailto:org@eplast1.ru)

**Адрес:** 198099, г. Санкт-Петербург, ул. Калинина, дом 2, корпус 4, литера А.