

# C28.4 Series CAPACITORS FOR MOTOR APPLICATIONS

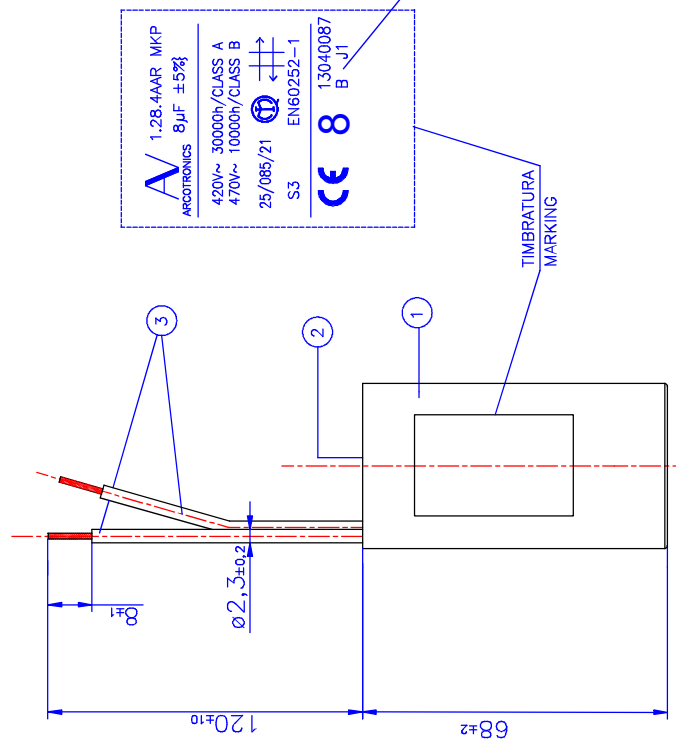
Typical applications: the capacitor is used in series to the auxiliary winding of a single-phase motor, allowing it to start and increase its torque while working.  
 Main application fields: low power electric motors, compressors.

**Vendor part number:** [C284AAR4800A02J](#)

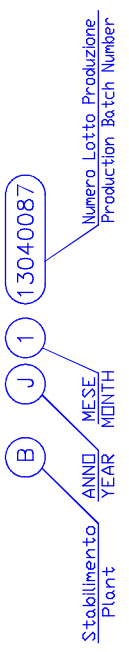
Capacitance:	8.0 $\mu$ F	Rated current:	1.18 Arms
Capacitance tolerance:	$\pm$ 5 %	Max. dV/dt:	20 V/ $\mu$ s
Class of operation:	CLASS A-30.000 hours, 420Vac/25/085/21 CLASS B-10.000 hours, 470Vac/25/085/21	Can diameter:	30 mm.
		Can height:	68 mm.

## General technical data

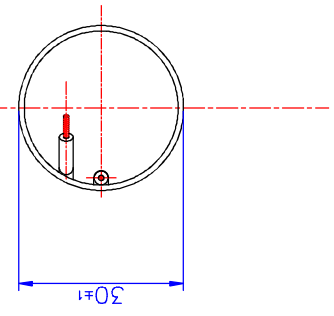
Reference standards:	EN 60252-1; 2011/A1:2013	Filling Resin:	Epoxy
Approvals:	IMQ	Plates:	Self-healing metal layer
Type of Service:	Continuous	Test voltage terminal-terminal:	2 Vn for 2 s
Operating Temperature:	- 25 / +85 °C	Test voltage terminal-can:	2.000 Volt for 2 s
Storage Temperature:	- 25 / +85 °C	Total Harmonic Distortion:	Up to 10%
Rated voltage Vn (AC):	470 Vac	Fire Load:	45 MJ/kg
Rated frequency (Hz):	50-60Hz	Leakage-Clearance in air between parts under voltage	Min. 5mm
Voltage rise/fall time(max):	20 V / $\mu$ sec	Leakage-Clearance in air between parts under voltage and accessible metal parts:	Min. 6mm
Maximum Permissible Voltage:	1.10 x Rated Voltage	Vibration test:	IEC 60068-2-6
Maximum Permissible Current:	1.30 x Rated Current	Termination:	H05V2-U Stiff Cable 0.75mm <sup>2</sup> , white
Dissipation factor, TgD:	12 x 10E-4 at 20°C, 1 kHz	Can:	Polypropylene with self-extinguishing features V2 (UL94)
Safety class:	S3	Disk:	Polypropylene with self-extinguishing features V2 (UL94)
Maximum Altitude:	No power derating applicable up to an altitude of 2200 meters. At higher altitudes than 2200 meters, please contact us for the Power derating	Cable Terminals:	Stripped
Mounting:	Any position	Nut:	No
Dielectric:	Polypropylene film	Washer:	No



ESEMPIO CODIFICA DATI DI IDENTIFICAZIONE NELLA TIMBRATURA  
 EXAMPLE OF IDENTIFICATION DIGIT IN THE MARKING



3	CAVO H05V2-U BIANCO RIG. STAGN. SEZ.0.75mm2 H05V2-U SOLID TINNED CONDUCTOR CABLE COLOUR WHITE SECT.0.75mm2
2	DISCHETTO PLASTICO AUTOEST. V2 COLORE BIANCO SELF-EXTINGUISHING V2 PLASTIC DECK COLOUR WHITE
1	CUSTODIA IN PP AUTOEST. V2 COLORE BIANCO RAL 9001-9010 POLYPROPYLENE CAN SELF-EXTINGUISH V2 COLOUR WHITE RAL 9001-9010
Pos.	MATERIALE
Note	PROGETTISTA : N.Buchev
	FEBG LIGHTING AND MOTOR CAPACITORS
	KEMET
	SCALA INDICATION ONLY
	C284AAR4800A02J
	Q.I. CONDENSATORE SERIE C.28.4 OVERALL DIMENSIONS CAP. C.28.4 SERIES



## General Disclaimer

All product specifications, statements, information and data given herein are believed to be accurate and reliable, but are presented without guarantee, warranty, or responsibility of any kind, expressed or implied. Statements of suitability for certain applications are based on our knowledge of typical operating conditions for such applications, but are not intended to constitute a warranty and we specifically disclaim any warranty concerning suitability for a specific customer application or use. This Information is intended for use only by customers who have the requisite experience and capability to determine the correct products for their application.

## Prototype Sample Disclaimer

All The Customer acknowledges the following limitations of the prototype samples:

- (1) Prototype samples are manufactured from preliminary designs and manufacturing processes; may not represent final designs; have not been released for commercial use and are not subject to the same quality control procedures applicable to released products.
- (2) Prototype samples are not qualified parts and are provided "as-is" by KEMET Electronics Corporation, which specifically disclaims any and all warranties and guarantees, explicit or implied, including, without limitation, the warranties of merchantability and fitness for a particular purpose or use.
- (3) Prototype samples are not intended for commercial use; are provided for engineering evaluation only and are not recommended for use in the Customer's production line. (4) The Customer assumes the risk of any and all uses that the Customer makes of the prototype samples.

## Data sheet edition

The present data sheet replaces and supersedes any former one released by KEMET.

KEMET's product warranty is set forth at [www.kemet.com](http://www.kemet.com) under Terms and Conditions of Sale.

COPYRIGHT KEMET ELECTRONICS CORPORATION 2017, all rights reserved.



Компания «ЭлектроПласт» предлагает заключение долгосрочных отношений при поставках импортных электронных компонентов на взаимовыгодных условиях!

Наши преимущества:

- Оперативные поставки широкого спектра электронных компонентов отечественного и импортного производства напрямую от производителей и с крупнейших мировых складов;
- Поставка более 17-ти миллионов наименований электронных компонентов;
- Поставка сложных, дефицитных, либо снятых с производства позиций;
- Оперативные сроки поставки под заказ (от 5 рабочих дней);
- Экспресс доставка в любую точку России;
- Техническая поддержка проекта, помощь в подборе аналогов, поставка прототипов;
- Система менеджмента качества сертифицирована по Международному стандарту ISO 9001;
- Лицензия ФСБ на осуществление работ с использованием сведений, составляющих государственную тайну;
- Поставка специализированных компонентов (Xilinx, Altera, Analog Devices, Intersil, Interpoint, Microsemi, Aeroflex, Peregrine, Syfer, Eurofarad, Texas Instrument, Miteq, Cobham, E2V, MA-COM, Hittite, Mini-Circuits, General Dynamics и др.);

Помимо этого, одним из направлений компании «ЭлектроПласт» является направление «Источники питания». Мы предлагаем Вам помощь Конструкторского отдела:

- Подбор оптимального решения, техническое обоснование при выборе компонента;
- Подбор аналогов;
- Консультации по применению компонента;
- Поставка образцов и прототипов;
- Техническая поддержка проекта;
- Защита от снятия компонента с производства.



#### Как с нами связаться

**Телефон:** 8 (812) 309 58 32 (многоканальный)

**Факс:** 8 (812) 320-02-42

**Электронная почта:** [org@eplast1.ru](mailto:org@eplast1.ru)

**Адрес:** 198099, г. Санкт-Петербург, ул. Калинина, дом 2, корпус 4, литера А.