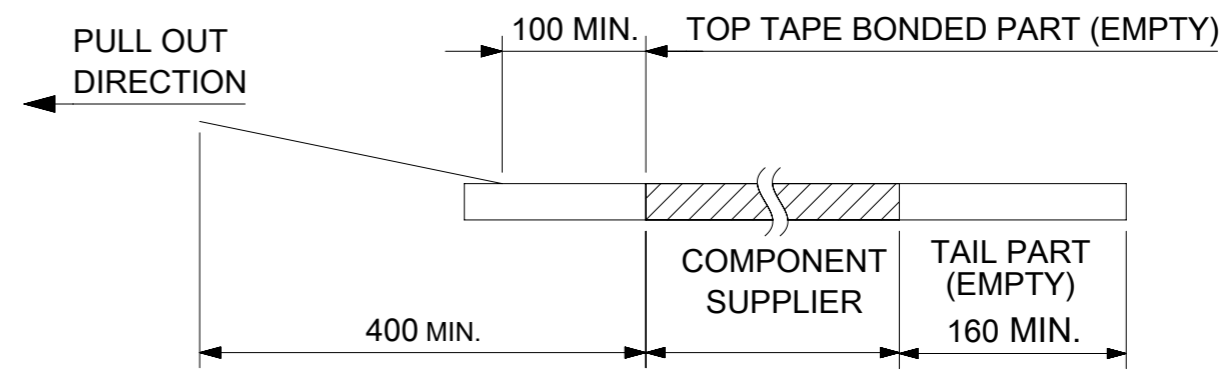
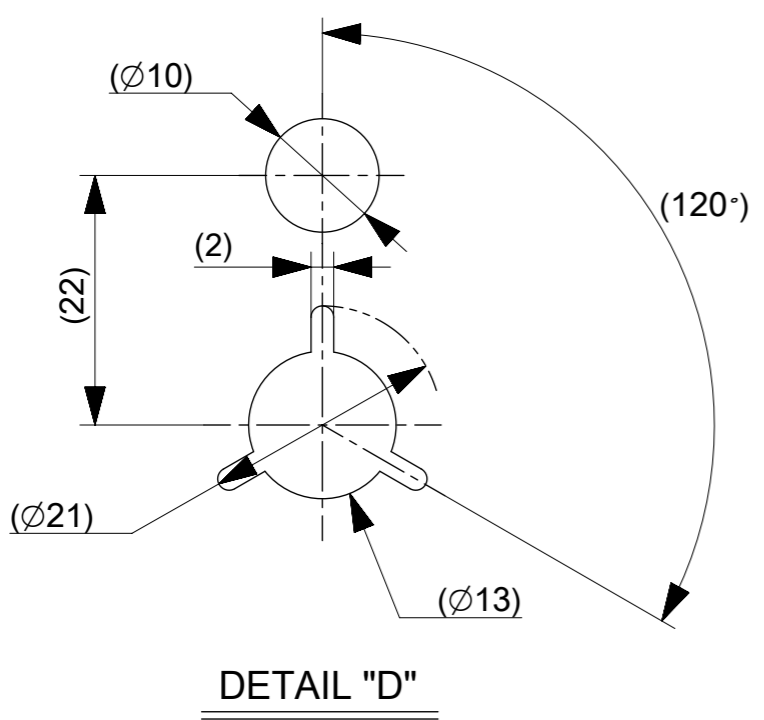


- NOTES
1. FOR DIMENSION OF PRODUCT, REFER TO PRODUCT DRAWING.
  2. NUMBER OF CONNECTORS : 7000PCS/REEL
  3. LEAD TAPE LENGTH

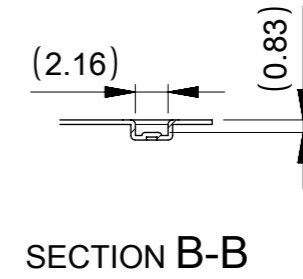
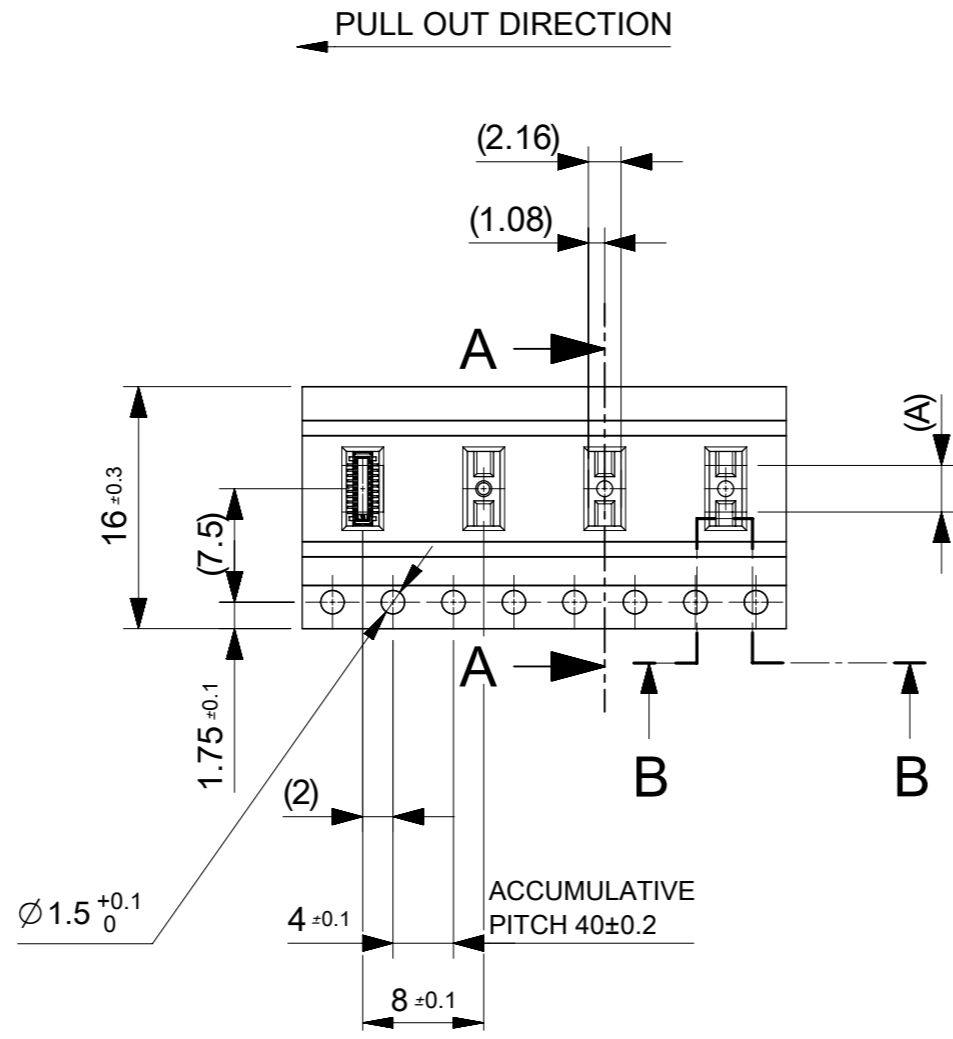
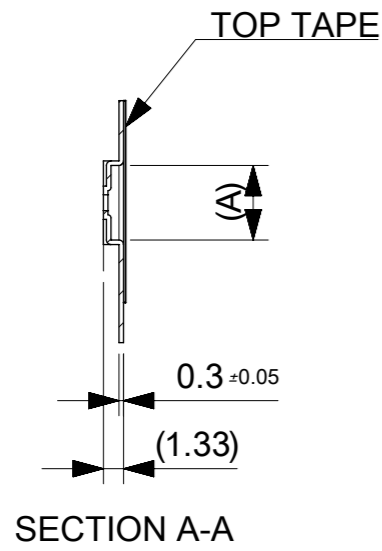


4. TOP TAPE PEEL FORCE IS DEFINED BY IEC60286-3.
5. MATERIAL  
 CARRIER TAPE : POLYSTYRENE  
 TOP TAPE : PET , OTHER  
 REEL : POLYSTYRENE (PS) < RECYCLE MATERIAL CONTAINED >



CONNECTOR SERIES NO. 505274\*\*39

THIS DRAWING CONTAINS INFORMATION THAT IS PROPRIETARY TO MOLEX ELECTRONIC TECHNOLOGIES, LLC AND SHOULD NOT BE USED WITHOUT WRITTEN PERMISSION									
EC NO: 123537 DRWN: FSATO CHK'D: MSASAO APPR: MSASAO	2017/10/23	2017/11/01	GENERAL TOLERANCES (UNLESS SPECIFIED)		DIMENSION UNITS	SCALE			
	2017/10/23	2017/11/01	ANGULAR TOL ± 3.0 °		mm	NTS			
	4 PLACES	± 0.03	4 PLACES		DRWN BY	DATE	0.35 BB H=0.8 SSB8RP PLUG EMBSTP PKG		
	3 PLACES	± 0.03	3 PLACES		FSATO	2017/10/23			
	2 PLACES	± 0.05	2 PLACES		CHK'D BY	DATE	PRODUCT CUSTOMER DRAWING		
1 PLACE	± 0.1	1 PLACE		MSASAO	2017/11/01				
0 PLACES	± 0.2	0 PLACES		APPR BY	DATE	SERIES: 505274    MATERIAL NUMBER: SEE CHART    CUSTOMER: GENERAL			
DRAFT WHERE APPLICABLE MUST REMAIN WITHIN DIMENSIONS		DRAFT WHERE APPLICABLE MUST REMAIN WITHIN DIMENSIONS		MSASAO	2017/11/02				
A		REV		DRAWING SIZE		THIRD ANGLE PROJECTION		DOCUMENT NUMBER	
A		REV		A3				5052740002-SD	
A		REV		A3				DOC TYPE: PSD	
A		REV		A3				DOC PART: 000	
A		REV		A3				SHEET NUMBER: 1 OF 3	



16	21.4	17.4	6.68	5052743042	○	---	30
			5.63	5052742442	○	---	24
			4.93	5052742042	○	---	20
			4.23	5052741642	○	---	16
			3.18	5052741042	○	---	10
			2.48	5052740642	○	---	6
キャリアテープ幅 CARRIER TAPE WIDTH	C	B	(A)	EMBOSSED TAPE PACKAGE	HIGH VOL. TOOL	LOW VOL. TOOL	CIRCUIT
ORDER NO.	SAMPLE PREPARATION ○:TOOLED △:WOOK IN PROCESS ---:TOOLING TO BE CONFIRMED						

THIS DRAWING CONTAINS INFORMATION THAT IS PROPRIETARY TO MOLEX ELECTRONIC TECHNOLOGIES, LLC AND SHOULD NOT BE USED WITHOUT WRITTEN PERMISSION

EC NO: 123537 DRWN: FSATO CHK'D: MSASAO APPR: MSASAO	2017/10/23	GENERAL TOLERANCES (UNLESS SPECIFIED)		DIMENSION UNITS	SCALE				
	2017/11/01	ANGULAR TOL ± 3.0 °		mm	NTS				
	RELEASED	4 PLACES	± 0.03	DRWN BY	DATE		0.35 BB H=0.8 SSB8RP PLUG EMBSTP PKG		
		3 PLACES	± 0.03	FSATO	2017/10/23				
		2 PLACES	± 0.05	CHK'D BY	DATE		PRODUCT CUSTOMER DRAWING		
		1 PLACE	± 0.1	MSASAO	2017/11/01				
	0 PLACES	± 0.2	APPR BY	DATE	SERIES	MATERIAL NUMBER	CUSTOMER		
			DRAFT WHERE APPLICABLE MUST REMAIN WITHIN DIMENSIONS	DRAWING SIZE	THIRD ANGLE PROJECTION	505274	SEE CHART	GENERAL	
A	REV			A3		DOCUMENT NUMBER	DOC TYPE	DOC PART	SHEET NUMBER
						5052740002-SD	PSD	000	2 OF 3

E

D

C

B

A

E

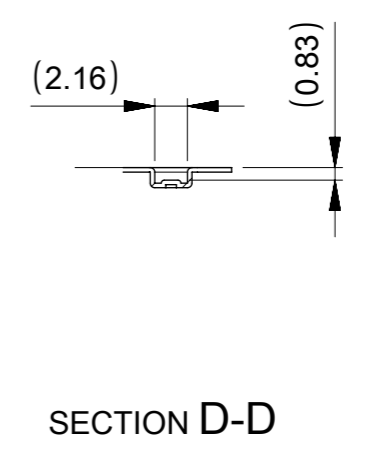
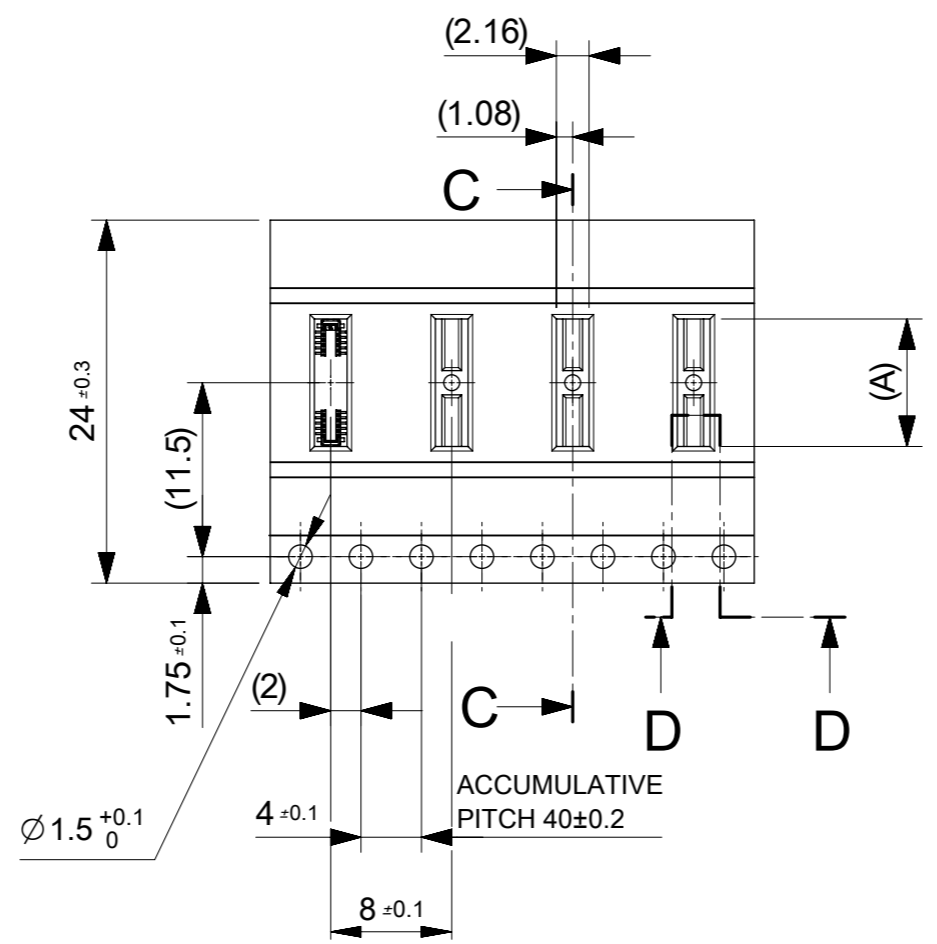
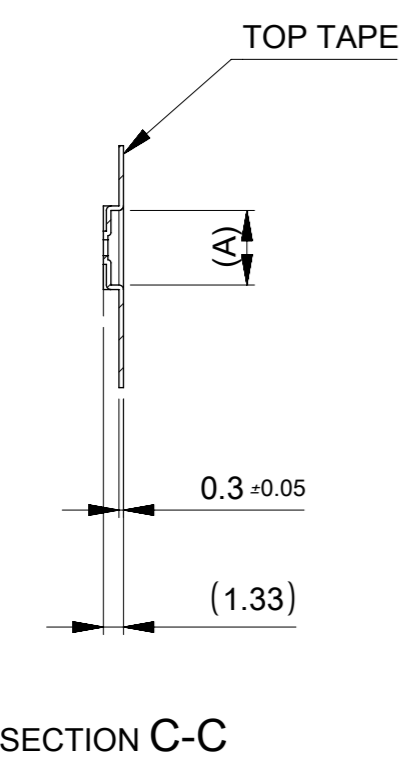
D

C

B

A

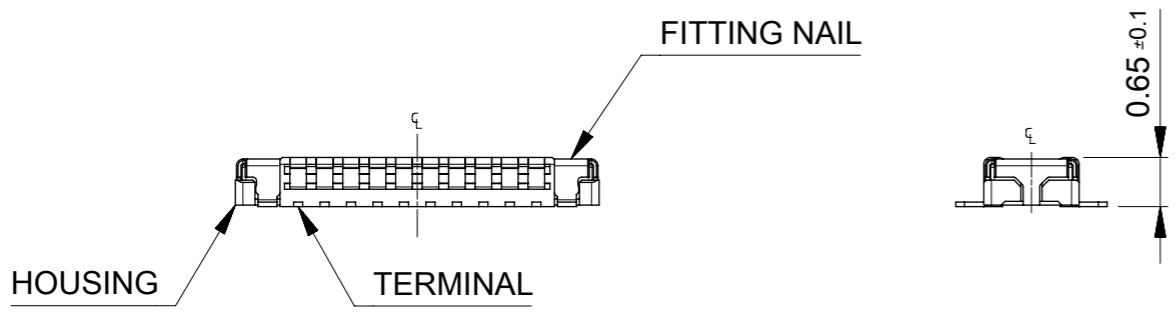
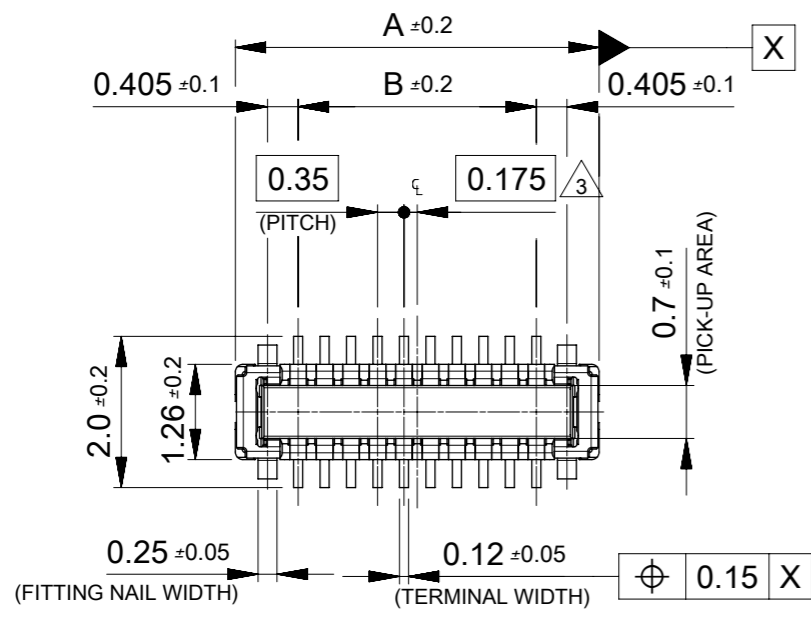
PULL OUT DIRECTION



24	29.4	25.4	10.88	5052745442	○	---	54
			8.43	5052744042	○	---	40
			7.38	5052743442	○	---	34
キャリアテープ幅 CARRIER TAPE WIDTH	C	B	(A)	EMBOSSED TAPE PACKAGE	HIGH VOL. TOOL	LOW VOL. TOOL	CIRCUIT
ORDER NO.	SAMPLE PREPARATION ○:TOOLED △:WOOK IN PROCESS ---:TOOLING TO BE CONFIRMED						

THIS DRAWING CONTAINS INFORMATION THAT IS PROPRIETARY TO MOLEX ELECTRONIC TECHNOLOGIES, LLC AND SHOULD NOT BE USED WITHOUT WRITTEN PERMISSION

EC NO: 123537 DRWN: FSATO CHK'D: MSASAO APPR: MSASAO 2017/10/23 2017/11/01 2017/11/02	GENERAL TOLERANCES (UNLESS SPECIFIED)		DIMENSION UNITS	SCALE						
	ANGULAR TOL ± 3.0 °		mm	NTS						
	4 PLACES ± 0.03	FSATO		DATE		0.35 BB H=0.8 SSB8RP PLUG EMBSTP PKG				
	3 PLACES ± 0.03	MSASAO		DATE						
	2 PLACES ± 0.05	MSASAO		DATE						
1 PLACE ± 0.1	MSASAO		DATE		PRODUCT CUSTOMER DRAWING					
0 PLACES ± 0.2	MSASAO		DATE		SERIES	MATERIAL NUMBER	CUSTOMER			
DRAFT WHERE APPLICABLE MUST REMAIN WITHIN DIMENSIONS		A3		THIRD ANGLE PROJECTION		505274	SEE CHART	GENERAL		
						DOCUMENT NUMBER		DOC TYPE	DOC PART	SHEET NUMBER
						5052740002-SD		PSD	000	3 OF 3



**NOTES**

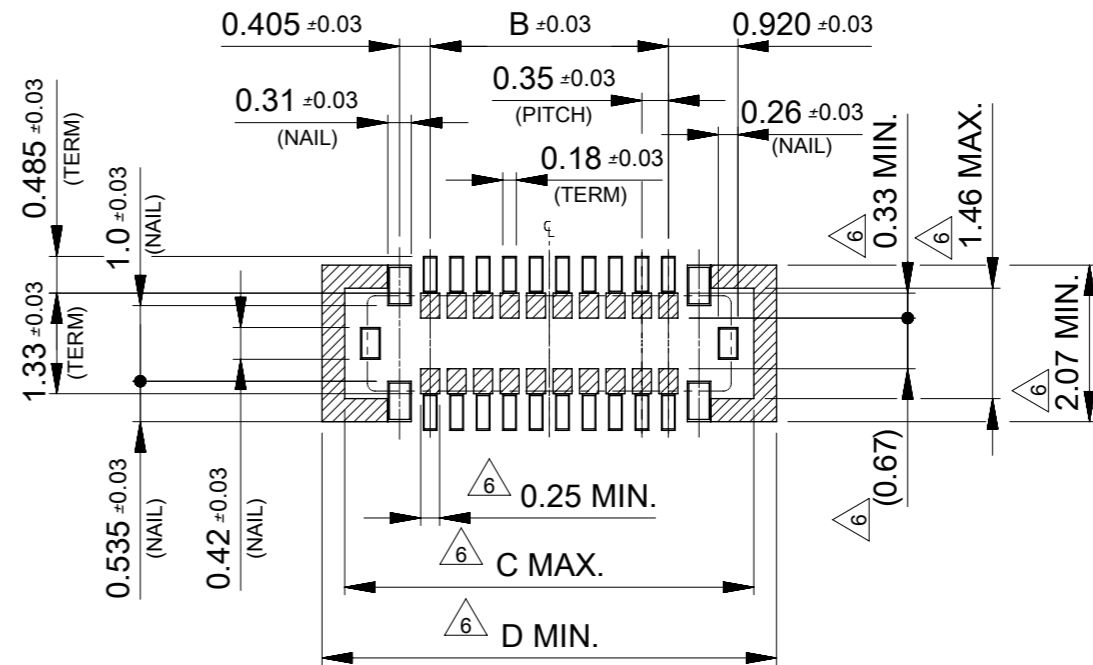
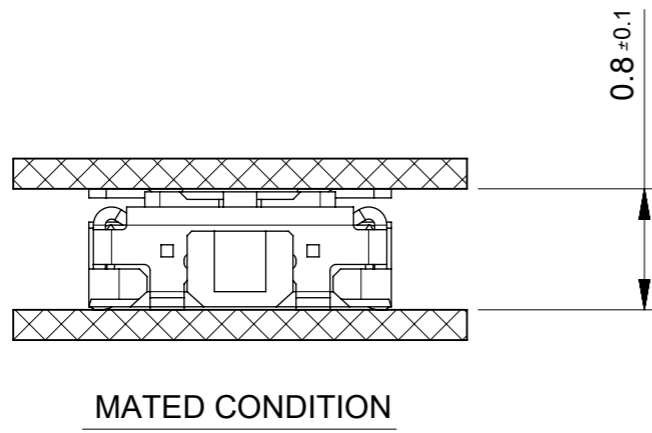
1. MATERIAL  
HOUSING : LIQUID CRYSTAL POLYMER UL94V-0 (COLOR : BLACK)  
TERMINAL : COPPER ALLOY  
FITTING NAIL : COPPER ALLOY
2. PLATING  
TERMINAL :  
GOLD  
UNDER PLATING NICKEL  
\*DIVIDE INTO PARTS THE GOLD PLATING OF CONTACT
- FITTING NAIL :  
GOLD(ONLY CONTACT AND TAIL PART)  
UNDER PLATING NICKEL  
\*GOLD PLATING WILL BE DIVIDED THE CONTACT FROM THE TAIL PART BY THE NICKEL PLATING. THERE MAY BE SLIGHT DIFFERENCES IN THE OTHER PART COLORING. BUT THERE WILL BE NO INFLUENCE ON THE PRODUCT'S PAERFORMANCE.
3. APPLY FOR (CIRCUIT/2)=EVEN
4. MATE WITH : 505270\*\*12
5. TAIL AND FITTING NAIL COPLANARITY TO BE 0.08MAXIMUM.
6. PROHIBITED AREA OF PATTERN WIRING AND SOLDER.  
(FOR EACH AREA, THE WIRING THAT TOUCHES ON THE SOLDER CAN BE ATTACHED, THEN COVERED WITH A FILM TO KEEP SOLDER OUT.)

11.96	11.36	9.1	10.76	5052745442	○	---	54
9.51	8.91	6.65	8.31	5052744042	○	---	40
8.46	7.86	5.6	7.26	5052743442	○	---	34
7.76	7.16	4.9	6.56	5052743042	○	---	30
6.71	6.11	3.85	5.51	5052742442	○	---	24
6.01	5.41	3.15	4.81	5052742042	○	---	20
5.31	4.71	2.45	4.11	5052741642	○	---	16
4.26	3.66	1.4	3.06	5052741042	○	---	10
3.56	2.96	0.7	2.36	5052740642	○	---	6

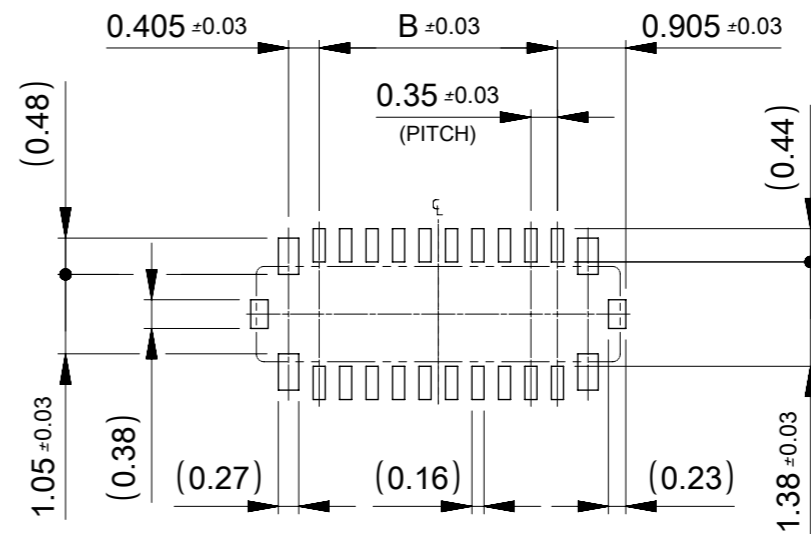
D	C	B	A	EMBOSSED TAPE PACKAGE	MASS PRODUCTION	LOW VOL. TOOL	CIRCUIT
				ORDER No.	SMAPLE PREPARATION ○: TOOLED △: WORK IN PROCESS ---: TOOLING TO BE CONFIRMED		
				CONNECTOR No. : 505274**39			

THIS DRAWING CONTAINS INFORMATION THAT IS PROPRIETARY TO MOLEX ELECTRONIC TECHNOLOGIES, LLC AND SHOULD NOT BE USED WITHOUT WRITTEN PERMISSION

EC NO: 123537 DRWN: FSATO CHK'D: MSASAO APPR: MSASAO	2017/10/23	GENERAL TOLERANCES (UNLESS SPECIFIED)		DIMENSION UNITS	SCALE			
	2017/11/01	ANGULAR TOL ± 3.0 °		mm	10:1			
	2017/11/02	4 PLACES ± 0.03	DRWN BY	DATE				
		3 PLACES ± 0.03	FSATO	2017/10/23				
		2 PLACES ± 0.05	CHK'D BY	DATE				
	1 PLACE ± 0.1	MSASAO	2017/11/01		PRODUCT CUSTOMER DRAWING SERIES: 505274 MATERIAL NUMBER: SEE CHART CUSTOMER: GENERAL			
	0 PLACES ± 0.2	APPR BY	DATE					
	DRAFT WHERE APPLICABLE MUST REMAIN WITHIN DIMENSIONS	MSASAO	2017/11/02					
		DRAWING SIZE	THIRD ANGLE PROJECTION		DOCUMENT NUMBER: 5052741002-SD	DOC TYPE: PSD	DOC PART: 000	SHEET NUMBER: 1 OF 2
A	REV			A3				



RECOMMENDED P.W. BOARD PATTERN LAYOUT (REFERENCE)



RECOMMENDED METAL MASK LAYOUT (REFERENCE)

RECOMMENDED THICKNESS OF METAL MASK :  $t=0.08\text{mm}$   
 RECOMMENDED OPEN APERTURE RATIO OF METAL MASK : 80%

THIS DRAWING CONTAINS INFORMATION THAT IS PROPRIETARY TO MOLEX ELECTRONIC TECHNOLOGIES, LLC AND SHOULD NOT BE USED WITHOUT WRITTEN PERMISSION

EC NO: 123537 DRWN: FSATO CHK'D: MSASAO APPR: MSASAO RELEASED	2017/10/23 2017/11/01 2017/11/02	GENERAL TOLERANCES (UNLESS SPECIFIED) ANGULAR TOL $\pm 3.0^\circ$	DIMENSION UNITS: mm SCALE: 10:1	
	4 PLACES $\pm 0.03$ 3 PLACES $\pm 0.03$ 2 PLACES $\pm 0.05$ 1 PLACE $\pm 0.1$ 0 PLACES $\pm 0.2$	DRWN BY: FSATO DATE: 2017/10/23	PRODUCT CUSTOMER DRAWING	
	DRAFT WHERE APPLICABLE MUST REMAIN WITHIN DIMENSIONS	CHK'D BY: MSASAO DATE: 2017/11/01	SERIES: 505274 MATERIAL NUMBER: SEE SHEET 1 CUSTOMER: GENERAL	
	DRAWING SIZE: A3 THIRD ANGLE PROJECTION	APPR BY: MSASAO DATE: 2017/11/02	DOCUMENT NUMBER: 5052741002-SD DOC TYPE: PSD DOC PART: 000 SHEET NUMBER: 2 OF 2	
	A	REV	A3	



Компания «ЭлектроПласт» предлагает заключение долгосрочных отношений при поставках импортных электронных компонентов на взаимовыгодных условиях!

Наши преимущества:

- Оперативные поставки широкого спектра электронных компонентов отечественного и импортного производства напрямую от производителей и с крупнейших мировых складов;
- Поставка более 17-ти миллионов наименований электронных компонентов;
- Поставка сложных, дефицитных, либо снятых с производства позиций;
- Оперативные сроки поставки под заказ (от 5 рабочих дней);
- Экспресс доставка в любую точку России;
- Техническая поддержка проекта, помощь в подборе аналогов, поставка прототипов;
- Система менеджмента качества сертифицирована по Международному стандарту ISO 9001;
- Лицензия ФСБ на осуществление работ с использованием сведений, составляющих государственную тайну;
- Поставка специализированных компонентов (Xilinx, Altera, Analog Devices, Intersil, Interpoint, Microsemi, Aeroflex, Peregrine, Syfer, Eurofarad, Texas Instrument, Miteq, Cobham, E2V, MA-COM, Hittite, Mini-Circuits, General Dynamics и др.);

Помимо этого, одним из направлений компании «ЭлектроПласт» является направление «Источники питания». Мы предлагаем Вам помощь Конструкторского отдела:

- Подбор оптимального решения, техническое обоснование при выборе компонента;
- Подбор аналогов;
- Консультации по применению компонента;
- Поставка образцов и прототипов;
- Техническая поддержка проекта;
- Защита от снятия компонента с производства.



#### Как с нами связаться

**Телефон:** 8 (812) 309 58 32 (многоканальный)

**Факс:** 8 (812) 320-02-42

**Электронная почта:** [org@eplast1.ru](mailto:org@eplast1.ru)

**Адрес:** 198099, г. Санкт-Петербург, ул. Калинина, дом 2, корпус 4, литера А.