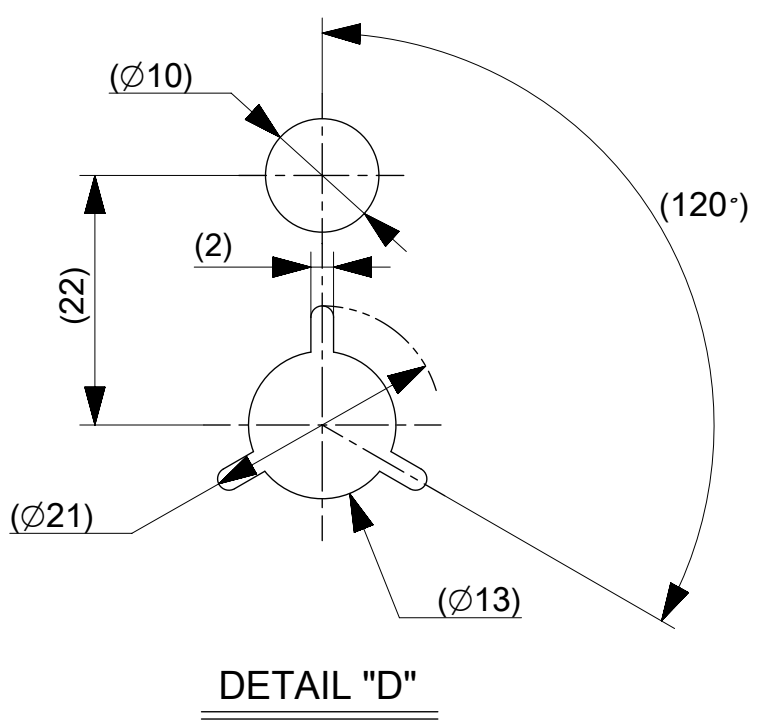
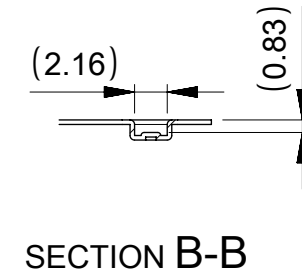
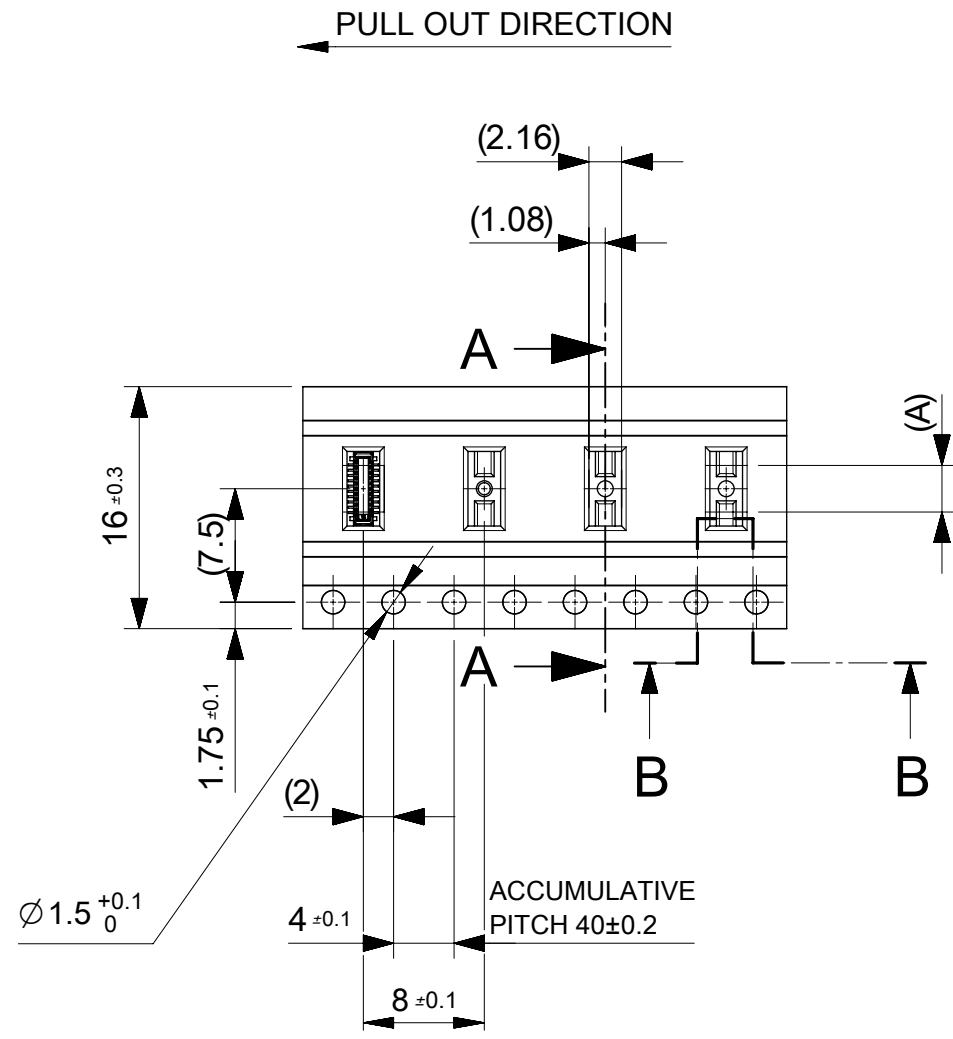
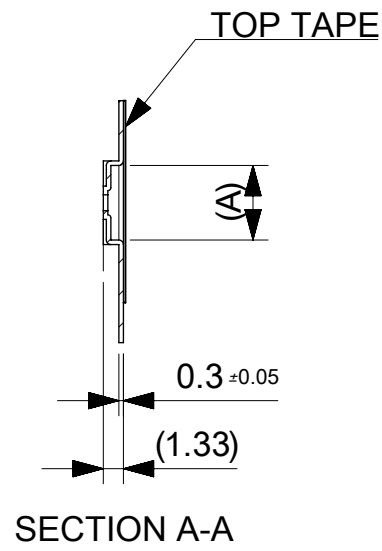


- NOTES**
- FOR DIMENSION OF PRODUCT, REFER TO PRODUCT DRAWING.
 - NUMBER OF CONNECTORS : 7000PCS/REEL
 - LEAD TAPE LENGTH
-
- TOP TAPE PEEL FORCE IS DEFINED BY IEC60286-3.
 - MATERIAL
 CARRIER TAPE : POLYSTYRENE
 TOP TAPE : PET , OTHER
 REEL : POLYSTYRENE (PS) < RECYCLE MATERIAL CONTAINED >



CONNECTOR SERIES NO. 505274**39

THIS DRAWING CONTAINS INFORMATION THAT IS PROPRIETARY TO MOLEX ELECTRONIC TECHNOLOGIES, LLC AND SHOULD NOT BE USED WITHOUT WRITTEN PERMISSION											
RELEASED	EC NO. 123537	2017/10/23	GENERAL TOLERANCES (UNLESS SPECIFIED)		DIMENSION UNITS	SCALE	molex [®]				
	DRWN: FSATO	2017/11/01	ANGULAR TOL $\pm 3.0^\circ$		mm	NTS					
	CHK'D: MSASAO	2017/11/02	4 PLACES	± 0.03	DRWN BY	DATE	0.35 BB H=0.8 SSB8RP PLUG EMBSTP PKG				
	APPR: MSASAO		3 PLACES	± 0.03	FSATO	2017/10/23					
			2 PLACES	± 0.05	CHK'D BY	DATE	PRODUCT CUSTOMER DRAWING				
		1 PLACE	± 0.1	MSASAO	2017/11/01						
		0 PLACES	± 0.2	APPR BY	DATE	SERIES	MATERIAL NUMBER	CUSTOMER			
				MSASAO	2017/11/02	505274	SEE CHART	GENERAL			
				DRAFT WHERE APPLICABLE MUST REMAIN WITHIN DIMENSIONS	DRAWING SIZE	THIRD ANGLE PROJECTION	DOCUMENT NUMBER		DOC TYPE	DOC PART	SHEET NUMBER
					A3		5052740002-SD		PSD	000	1 OF 3



16	21.4	17.4	6.68	5052743042	○	---	30
			5.63	5052742442	○	---	24
			4.93	5052742042	○	---	20
			4.23	5052741642	○	---	16
			3.18	5052741042	○	---	10
			2.48	5052740642	○	---	6
キャリアテープ幅 CARRIER TAPE WIDTH	C	B	(A)	EMBOSSED TAPE PACKAGE	HIGH VOL. TOOL	LOW VOL. TOOL	CIRCUIT
ORDER NO.	SAMPLE PREPARATION ○:TOOLED △:WOOK IN PROCESS ---:TOOLING TO BE CONFIRMED						

THIS DRAWING CONTAINS INFORMATION THAT IS PROPRIETARY TO MOLEX ELECTRONIC TECHNOLOGIES, LLC AND SHOULD NOT BE USED WITHOUT WRITTEN PERMISSION

EC NO: 123537 DRWN: FSATO CHK'D: MSASAO APPR: MSASAO REV: A	2017/10/23 2017/11/01 2017/11/02	GENERAL TOLERANCES (UNLESS SPECIFIED) ANGULAR TOL ± 3.0 ° 4 PLACES ± 0.03 3 PLACES ± 0.03 2 PLACES ± 0.05 1 PLACE ± 0.1 0 PLACES ± 0.2	DIMENSION UNITS: mm SCALE: NTS			
	DRWN BY: FSATO DATE: 2017/10/23	CHK'D BY: MSASAO DATE: 2017/11/01	APPR BY: MSASAO DATE: 2017/11/02		0.35 BB H=0.8 SSB8RP PLUG EMBSTP PKG	
	DRAFT WHERE APPLICABLE MUST REMAIN WITHIN DIMENSIONS				DRAWING SIZE: A3 THIRD ANGLE PROJECTION	PRODUCT CUSTOMER DRAWING
	SERIES: 505274		MATERIAL NUMBER: SEE CHART		CUSTOMER: GENERAL	
	DOCUMENT NUMBER: 5052740002-SD		DOC TYPE: PSD		DOC PART: 000	SHEET NUMBER: 2 OF 3
	RELEASE STATUS: P1 RELEASE DATE: 02.11.2017 01:50:54					

E

D

C

B

A

E

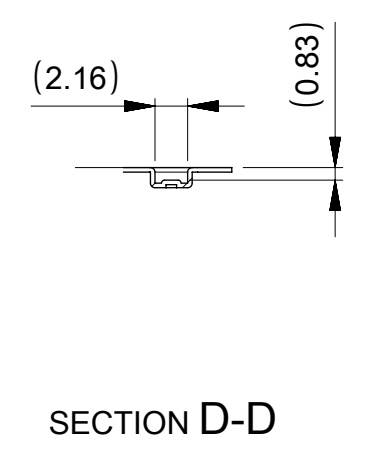
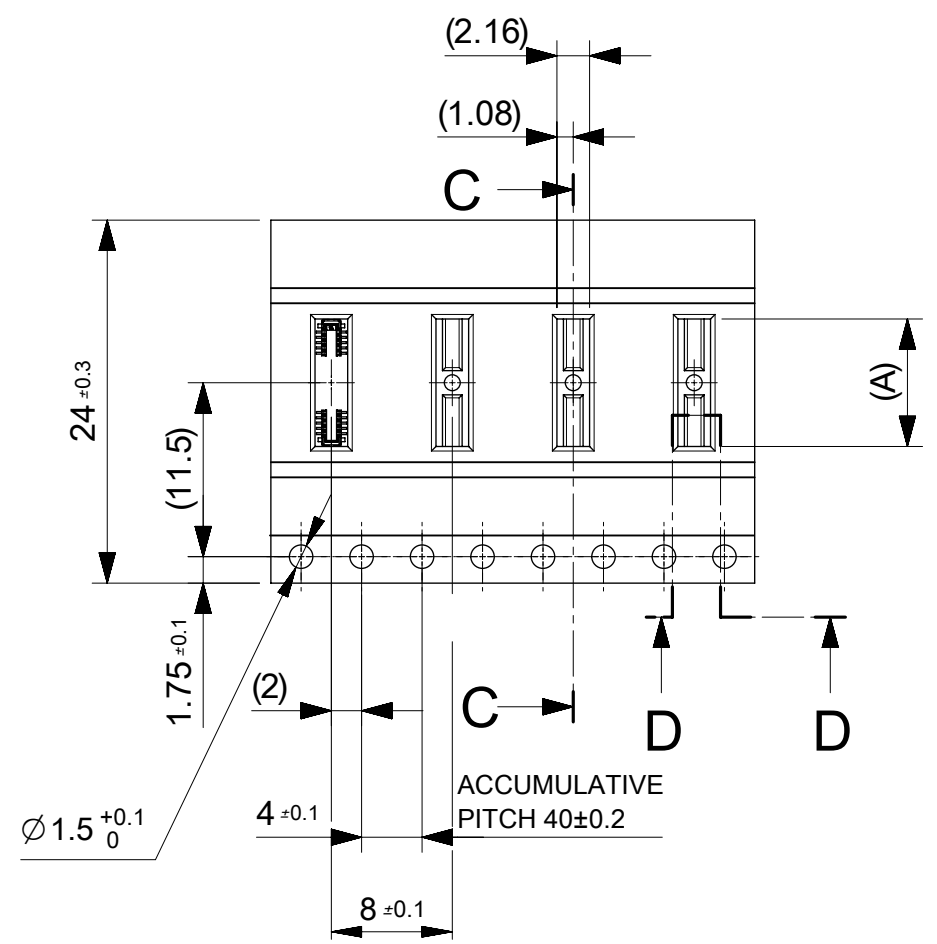
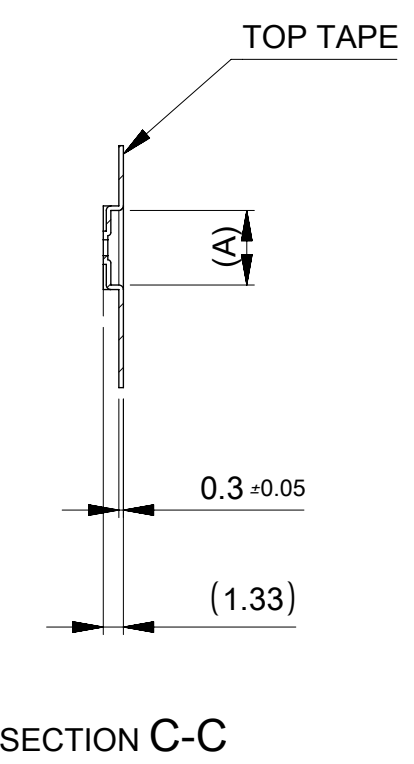
D

C

B

A

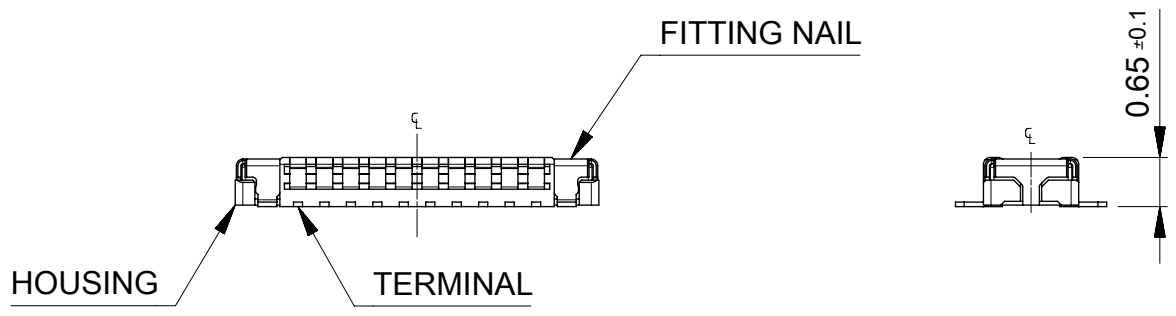
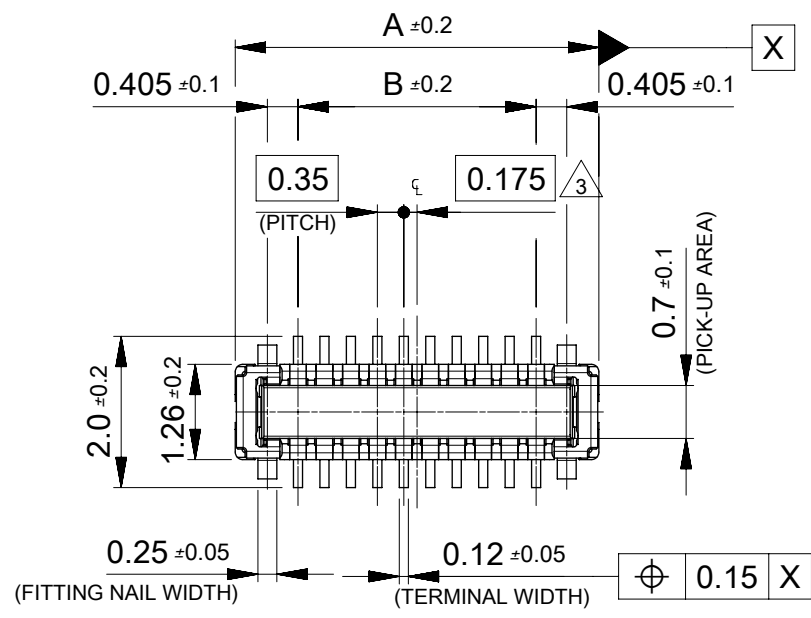
PULL OUT DIRECTION



24	29.4	25.4	10.88	5052745442	○	---	54
			8.43	5052744042	○	---	40
			7.38	5052743442	○	---	34
キャリアテープ幅 CARRIER TAPE WIDTH	C	B	(A)	EMBOSSED TAPE PACKAGE	HIGH VOL. TOOL	LOW VOL. TOOL	CIRCUIT
ORDER NO.	SAMPLE PREPARATION ○:TOOLED △:WOOK IN PROCESS ---:TOOLING TO BE CONFIRMED						

THIS DRAWING CONTAINS INFORMATION THAT IS PROPRIETARY TO MOLEX ELECTRONIC TECHNOLOGIES, LLC AND SHOULD NOT BE USED WITHOUT WRITTEN PERMISSION

EC NO: 123537 DRWN: FSATO CHK'D: MSASAO APPR: MSASAO REV: A	2017/10/23 2017/11/01 2017/11/02	GENERAL TOLERANCES (UNLESS SPECIFIED) ANGULAR TOL ± 3.0 ° 4 PLACES ± 0.03 3 PLACES ± 0.03 2 PLACES ± 0.05 1 PLACE ± 0.1 0 PLACES ± 0.2	DIMENSION UNITS: mm SCALE: NTS	
	DRWN BY: FSATO DATE: 2017/10/23	CHK'D BY: MSASAO DATE: 2017/11/01	PRODUCT CUSTOMER DRAWING	
	APPR BY: MSASAO DATE: 2017/11/02	DRAWING SIZE: A3 THIRD ANGLE PROJECTION	SERIES: 505274 MATERIAL NUMBER: SEE CHART CUSTOMER: GENERAL	
	DRAFT WHERE APPLICABLE MUST REMAIN WITHIN DIMENSIONS		DOCUMENT NUMBER: 5052740002-SD DOC TYPE: PSD DOC PART: 000 SHEET NUMBER: 3 OF 3	



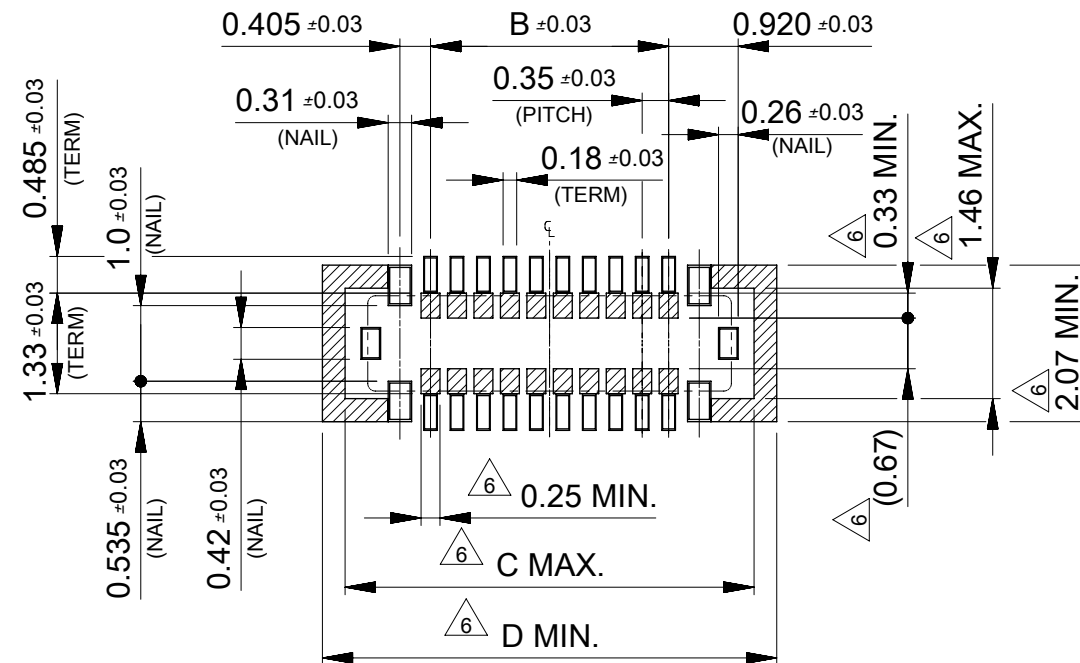
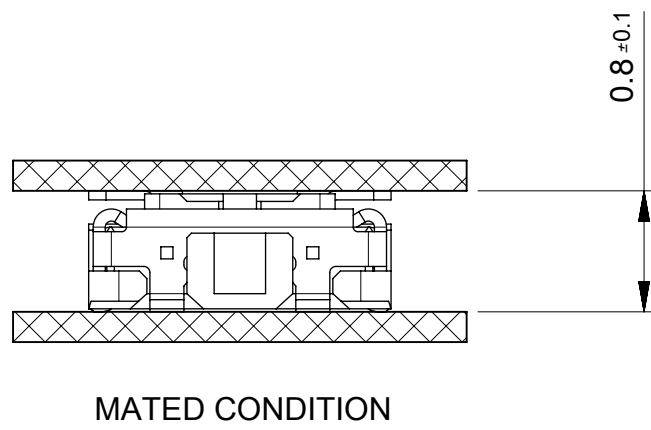
NOTES

1. MATERIAL
HOUSING : LIQUID CRYSTAL POLYMER UL94V-0 (COLOR : BLACK)
TERMINAL : COPPER ALLOY
FITTING NAIL : COPPER ALLOY
2. PLATING
TERMINAL :
GOLD
UNDER PLATING NICKEL
*DIVIDE INTO PARTS THE GOLD PLATING OF CONTACT
- FITTING NAIL :
GOLD(ONLY CONTACT AND TAIL PART)
UNDER PLATING NICKEL
*GOLD PLATING WILL BE DIVIDED THE CONTACT FROM THE TAIL PART BY THE NICKEL PLATING. THERE MAY BE SLIGHT DIFFERENCES IN THE OTHER PART COLORING. BUT THERE WILL BE NO INFLUENCE ON THE PRODUCT'S PAERFORMANCE.
- △3 APPLY FOR (CIRCUIT/2)=EVEN
4. MATE WITH : 505270**12
5. TAIL AND FITTING NAIL COPLANARITY TO BE 0.08MAXIMUM.
- △6 PROHIBITED AREA OF PATTERN WIRING AND SOLDER.
(FOR EACH AREA, THE WIRING THAT TOUCHES ON THE SOLDER CAN BE ATTACHED, THEN COVERED WITH A FILM TO KEEP SOLDER OUT.)

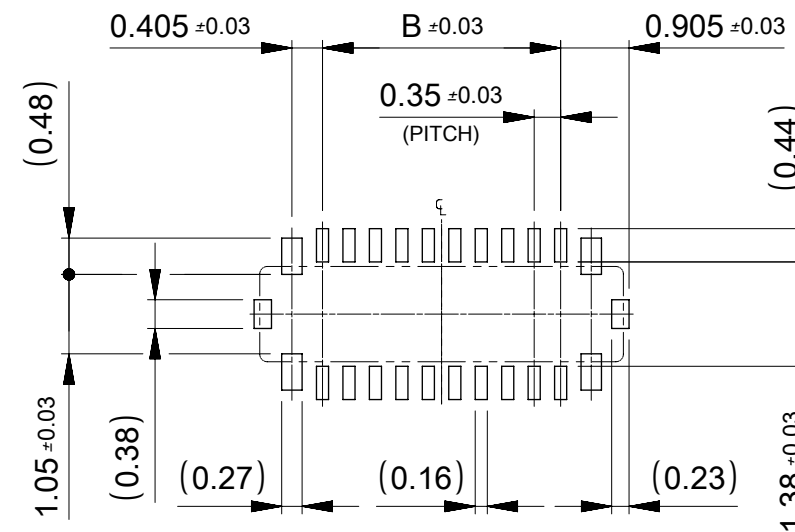
11.96	11.36	9.1	10.76	5052745442	○	---	54
9.51	8.91	6.65	8.31	5052744042	○	---	40
8.46	7.86	5.6	7.26	5052743442	○	---	34
7.76	7.16	4.9	6.56	5052743042	○	---	30
6.71	6.11	3.85	5.51	5052742442	○	---	24
6.01	5.41	3.15	4.81	5052742042	○	---	20
5.31	4.71	2.45	4.11	5052741642	○	---	16
4.26	3.66	1.4	3.06	5052741042	○	---	10
3.56	2.96	0.7	2.36	5052740642	○	---	6
D	C	B	A	EMBOSSED TAPE PACKAGE	MASS PRODUCTION	LOW VOL. TOOL	CIRCUIT
ORDER No.				SMAPLE PREPARATION ○: TOOLED △: WORK IN PROCESS ---: TOOLING TO BE CONFIRMED			
CONNECTOR No. : 505274**39							

THIS DRAWING CONTAINS INFORMATION THAT IS PROPRIETARY TO MOLEX ELECTRONIC TECHNOLOGIES, LLC AND SHOULD NOT BE USED WITHOUT WRITTEN PERMISSION

EC NO: 123537 DRWN: FSATO CHK'D: MSASAO APPR: MSASAO	2017/10/23	GENERAL TOLERANCES (UNLESS SPECIFIED)		DIMENSION UNITS	SCALE	
	2017/11/01	ANGULAR TOL ± 3.0 °		mm	10:1	
	2017/11/02	4 PLACES ± 0.03	DATE	DRWN BY	DATE	
		3 PLACES ± 0.03	DATE	FSATO	2017/10/23	
		2 PLACES ± 0.05	DATE	CHK'D BY	MSASAO	
	1 PLACE ± 0.1	DATE	APPR BY	MSASAO	2017/11/02	
	0 PLACES ± 0.2	DATE	DRAWING SIZE	A3	THIRD ANGLE PROJECTION	PRODUCT CUSTOMER DRAWING
	DRAFT WHERE APPLICABLE MUST REMAIN WITHIN DIMENSIONS				SERIES: 505274 MATERIAL NUMBER: SEE CHART CUSTOMER: GENERAL	
					DOCUMENT NUMBER: 5052741002-SD DOC TYPE: PSD DOC PART: 000 SHEET NUMBER: 1 OF 2	



RECOMMENDED P.W.BOARD PATTERN LAYOUT (REFERENCE)



RECOMMENDED METAL MASK LAYOUT (REFERENCE)

RECOMMENDED THICKNESS OF METAL MASK : t=0.08mm

RECOMMENDED OPEN APERTURE RATIO OF METAL MASK : 80%

THIS DRAWING CONTAINS INFORMATION THAT IS PROPRIETARY TO MOLEX ELECTRONIC TECHNOLOGIES, LLC AND SHOULD NOT BE USED WITHOUT WRITTEN PERMISSION

EC NO: 123537 DRWN: FSATO CHK'D: MSASAO APPR: MSASAO RELEASED 2017/10/23 2017/11/01 2017/11/02	GENERAL TOLERANCES (UNLESS SPECIFIED)		DIMENSION UNITS	SCALE			
	ANGULAR TOL ± 3.0 °		mm	10:1			
	4 PLACES	± 0.03	DRWN BY	DATE	0.35 BB CONN. H=0.8 SSB8RP PLUG ASSY		
	3 PLACES	± 0.03	FSATO	2017/10/23			
	2 PLACES	± 0.05	CHK'D BY	DATE			
1 PLACE	± 0.1	MSASAO	2017/11/01	PRODUCT CUSTOMER DRAWING			
0 PLACES	± 0.2	APPR BY	DATE	SERIES	MATERIAL NUMBER	CUSTOMER	
DRAFT WHERE APPLICABLE MUST REMAIN WITHIN DIMENSIONS		MSASAO	2017/11/02	505274	SEE SHEET 1	GENERAL	
		DRAWING SIZE	THIRD ANGLE PROJECTION	DOCUMENT NUMBER DOC TYPE DOC PART SHEET NUMBER			
		A3		5052741002-SD PSD 000 2 OF 2			



Компания «ЭлектроПласт» предлагает заключение долгосрочных отношений при поставках импортных электронных компонентов на взаимовыгодных условиях!

Наши преимущества:

- Оперативные поставки широкого спектра электронных компонентов отечественного и импортного производства напрямую от производителей и с крупнейших мировых складов;
- Поставка более 17-ти миллионов наименований электронных компонентов;
- Поставка сложных, дефицитных, либо снятых с производства позиций;
- Оперативные сроки поставки под заказ (от 5 рабочих дней);
- Экспресс доставка в любую точку России;
- Техническая поддержка проекта, помощь в подборе аналогов, поставка прототипов;
- Система менеджмента качества сертифицирована по Международному стандарту ISO 9001;
- Лицензия ФСБ на осуществление работ с использованием сведений, составляющих государственную тайну;
- Поставка специализированных компонентов (Xilinx, Altera, Analog Devices, Intersil, Interpoint, Microsemi, Aeroflex, Peregrine, Syfer, Eurofarad, Texas Instrument, Miteq, Cobham, E2V, MA-COM, Hittite, Mini-Circuits, General Dynamics и др.);

Помимо этого, одним из направлений компании «ЭлектроПласт» является направление «Источники питания». Мы предлагаем Вам помощь Конструкторского отдела:

- Подбор оптимального решения, техническое обоснование при выборе компонента;
- Подбор аналогов;
- Консультации по применению компонента;
- Поставка образцов и прототипов;
- Техническая поддержка проекта;
- Защита от снятия компонента с производства.



Как с нами связаться

Телефон: 8 (812) 309 58 32 (многоканальный)

Факс: 8 (812) 320-02-42

Электронная почта: org@eplast1.ru

Адрес: 198099, г. Санкт-Петербург, ул. Калинина, дом 2, корпус 4, литера А.