

PLEASE CHECK WWW.MOLEX.COM FOR LATEST PART INFORMATION

Part Number: [0767618501](#)
Status: **Active**
Overview: [vhdm_h](#)
Description: 2.00mm (.079") Pitch VHDM® H Board-to-Board Backplane Header, Vertical, 6-Row, Guide Pin, Signal End Module, Open End Version, 150 Circuits, Pin Length 4.75mm (.187"),Lead Free

Documents:

[Drawing \(PDF\)](#) [RoHS Certificate of Compliance \(PDF\)](#)
[Product Specification PS-74031-999 \(PDF\)](#)

General

Product Family	Backplane Connectors
Series	76761
Application	Backplane
Comments	No Keying Position
Component Type	PCB Header
Overview	vhdm_h
Product Name	VHDM® - H Series
Style	N/A

Physical

Circuits (Loaded)	150
Circuits (maximum)	150
Color - Resin	Black
Durability (mating cycles max)	200
First Mate / Last Break	No
Guide to Mating Part	Yes
Keying to Mating Part	None
Material - Metal	Copper Alloy
Material - Plating Mating	Gold
Material - Plating Termination	Tin
Material - Resin	High Temperature Thermoplastic
Number of Columns	25
Number of Pairs	Open Pin Field
Number of Rows	6
Orientation	Vertical
PC Tail Length (in)	0.072 In
PC Tail Length (mm)	1.83 mm
PCB Locator	No
PCB Retention	None
PCB Thickness Recommended (in)	0.072 In
PCB Thickness Recommended (mm)	1.83 mm
Packaging Type	Tube
Pitch - Mating Interface (in)	0.079 In
Pitch - Mating Interface (mm)	2.00 mm
Pitch - Term. Interface (in)	0.089 In
Pitch - Term. Interface (mm)	2.25 mm
Plating min: Mating (µin)	30
Plating min: Mating (µm)	0.75
Plating min: Termination (µin)	30
Plating min: Termination (µm)	0.75
Polarized to PCB	Yes
Stackable	No
Surface Mount Compatible (SMC)	Yes
Temperature Range - Operating	-55°C to +85°C

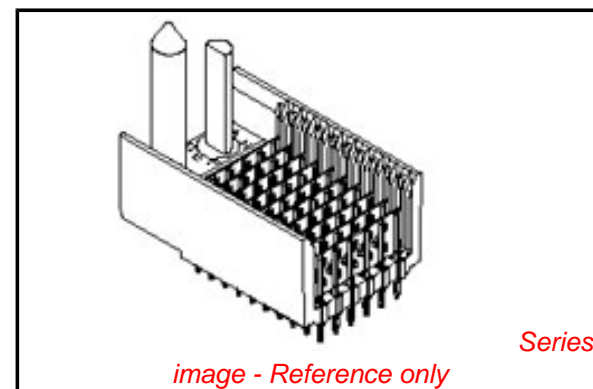


image - Reference only

EU RoHS

RoHS Compliant by Exemption
REACH SVHC
 Not Reviewed
Halogen-Free
Status
Not Reviewed

China RoHS



Need more information on product environmental compliance?

Email productcompliance@molex.com
 For a multiple part number RoHS Certificate of Compliance, [click here](#)

Please visit the [Contact Us](#) section for any non-product compliance questions.

Search Parts in this Series

[76761Series](#)

Application Tooling | FAQ

Tooling specifications and manuals are found by selecting the products below. Crimp Height Specifications are then contained in the Application Tooling Specification document.

Global

Description	Product #
VHDM® Signal Pin	0622015700
Insertor Repair Tool	
VHDM® 6 Row Pin and Shield Repair Tool	0622015800
VHDM® 6 Row Shield Extraction Tool	0622016000
VHDM® Insertion Module for Standard Shield Signal Header, 6 Row by	0622020208

Termination Interface: Style

Through Hole - Compliant Pin

25 Wide, 50.00mm
(1.97")

Electrical

Current - Maximum per Contact

1A

Data Rate

6.25 Gbps

Real Signals (per 25mm)

75

Shield Type

Ground Plane Shield

Shielded

Yes

Voltage - Maximum

120V AC (RMS)/DC

Material Info

Reference - Drawing Numbers

Packaging Specification

PK-74058-003

Product Specification

PS-74031-999

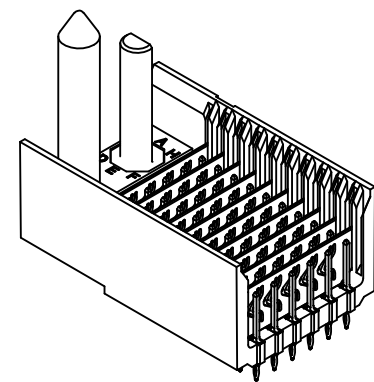
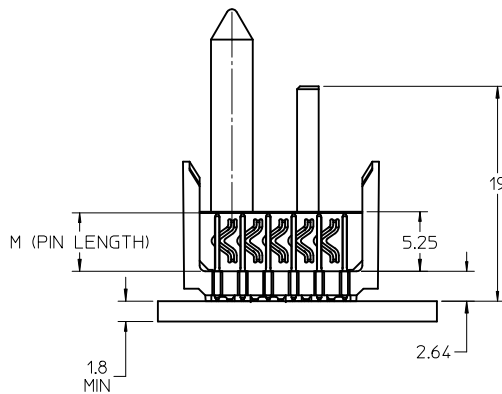
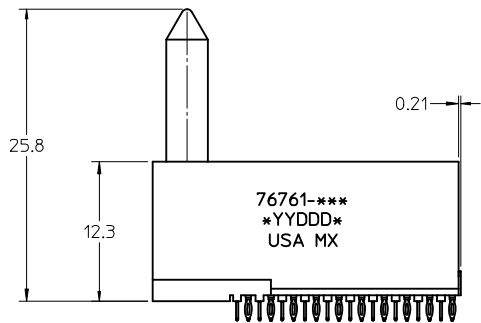
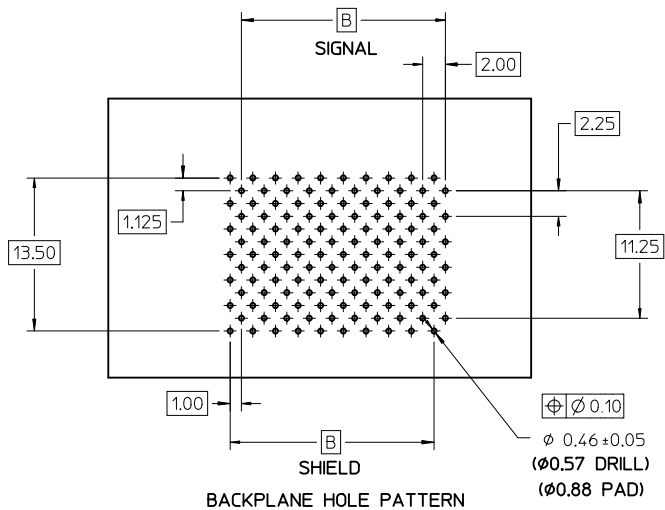
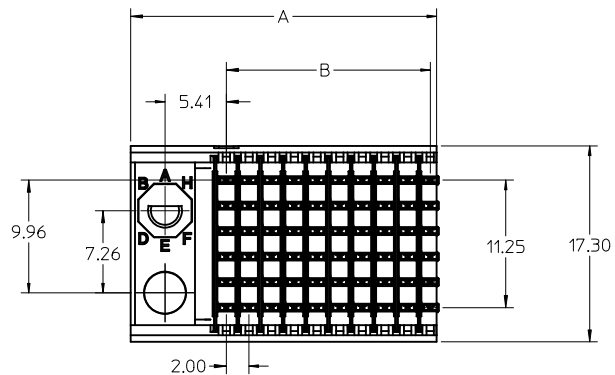
Sales Drawing

SD-76761-001

VHDM and Very High Density Metric are trademarks of Amphenol Corporation

This document was generated on 05/20/2010

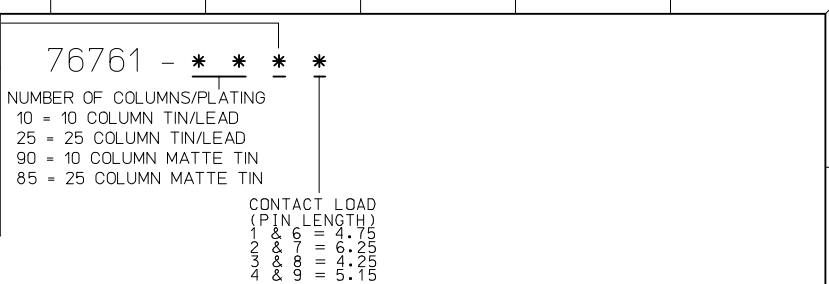
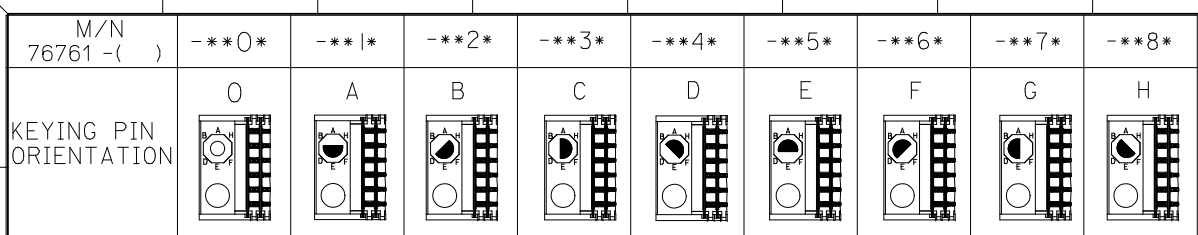
PLEASE CHECK WWW.MOLEX.COM FOR LATEST PART INFORMATION



NOTES:

1. MATERIALS:
HOUSING - LIQUID CRYSTAL POLYMER (LCP)
GLASS FILLED, UL94V-0, BLACK
SIGNAL PIN AND SHIELD - COPPER ALLOY
2. FINISHES:
CONTACT AREA - SELECTIVE GOLD (Au)
PCB TAILS - SELECTIVE TIN/LEAD (SnPb) OR MATTE TIN (Sn)
3. THIS PART CONFORMS TO MOLEX PRODUCT SPECIFICATION PS-74031-999.
4. FOR MIXED CONTACT LENGTH CONTACT MOLEX FOR AVAILABILITY.
5. FOR SPECIFIC MATERIAL NUMBERS AND MATING INFORMATION REFER TO SHEET 2.
6. PACKAGE PER PK-74058-003.
7. ASSEMBLY WILL BE MARKED WITH P/N AND DATE CODE WITH LASER MARK ON SIDE OF HOUSING OR BY LABEL ON THE TUBE.

CORRECT P/NS IN TABLE EC NO: UCP2010-1510 DRWN: J JONIAK 2010/03/05 CHKD: JMELTON 2010/03/09 APPR: SMILLER 2010/03/09	QUALITY SYMBOLS 	GENERAL TOLERANCES (UNLESS SPECIFIED)		DIMENSION STYLE MM ONLY	SCALE 2:1	DESIGN UNITS METRIC	THIRD ANGLE PROJECTION	
		4 PLACES ± --- ± ---	3 PLACES ± --- ± ---	DRAWN BY J JONIAK	DATE 2008/07/09	VHDM H-SERIES 6 ROW BACKPLANE SIGNAL END MOLEX INCORPORATED MOLEX INCORPORATED SD-76761-001 SHEET NO. 1 OF 2		
		2 PLACES ± 0.15 ± ---	1 PLACE ± 0.25 ± ---	CHECKED BY J JONIAK	DATE 2008/07/09			
		ANGULAR ± 1/2°		APPROVED BY SMILLER	DATE 2010/03/09			
DRAFT WHERE APPLICABLE MUST REMAIN WITHIN DIMENSIONS		MATERIAL NO. SEE TABLE	DOCUMENT NO. SEE TABLE					
				THIS DRAWING CONTAINS INFORMATION THAT IS PROPRIETARY TO MOLEX INCORPORATED AND SHOULD NOT BE USED WITHOUT WRITTEN PERMISSION				

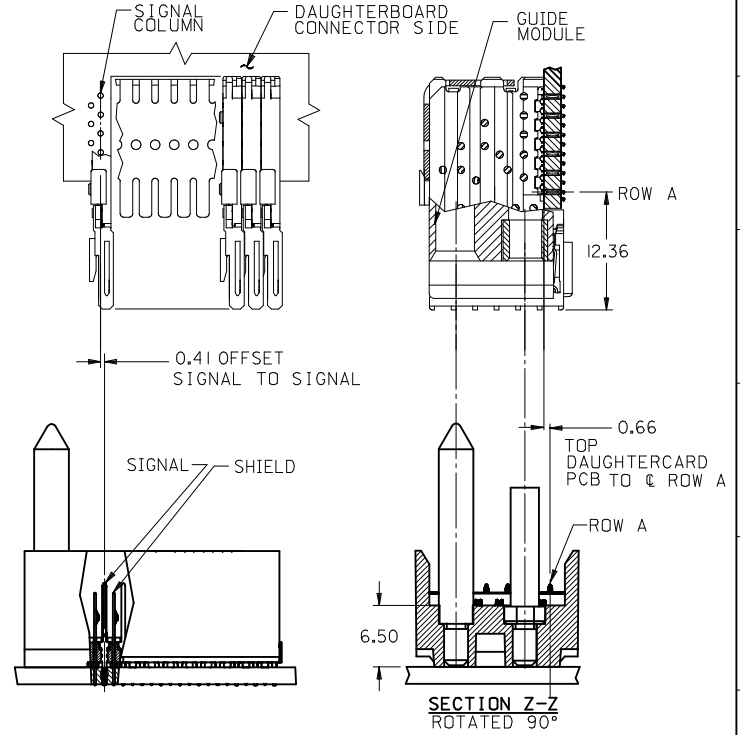


PART NUMBER	COLUMN	NUMBER OF SIGNAL	NUMBER OF PIN	NUMBER OF SHIELD	A	B	M	Au (um) THICKNESS
76761-1001	10	60	10	10	20.00	18.00	4.75	0.76
76761-1006								1.27
76761-2501	25	150	25	25	50.00	48.00	6.25	0.76
76761-2506								1.27
76761-1002	10	60	10	10	20.00	18.00	4.25	0.76
76761-1007								1.27
76761-2502	25	150	25	25	50.00	48.00	5.15	0.76
76761-2507								1.27
76761-1003	10	60	10	10	20.00	18.00	4.75	0.76
76761-1008								1.27
76761-2503	25	150	25	25	50.00	48.00	6.25	0.76
76761-2508								1.27
76761-1004	10	60	10	10	20.00	18.00	4.25	0.76
76761-1009								1.27
76761-2504	25	150	25	25	50.00	48.00	5.15	0.76
76761-2509								1.27

TIN/LEAD CHART

PART NUMBER	COLUMN	NUMBER OF SIGNAL	NUMBER OF PIN	NUMBER OF SHIELD	A	B	M	Au (um) THICKNESS
76761-9001	10	60	10	10	20.00	18.00	4.75	0.76
76761-9006								1.27
76761-8501	25	150	25	25	50.00	48.00	6.25	0.76
76761-8506								1.27
76761-9002	10	60	10	10	20.00	18.00	4.25	0.76
76761-9007								1.27
76761-8502	25	150	25	25	50.00	48.00	5.15	0.76
76761-8507								1.27
76761-9003	10	60	10	10	20.00	18.00	4.75	0.76
76761-9008								1.27
76761-8503	25	150	25	25	50.00	48.00	6.25	0.76
76761-8508								1.27
76761-9004	10	60	10	10	20.00	18.00	4.25	0.76
76761-9009								1.27
76761-8504	25	150	25	25	50.00	48.00	5.15	0.76
76761-8509								1.27

LEAD FREE CHART



CORRECT P/NS IN TABLE EC NO: UCP2010-1510 DRWNG: JONI AK 2010/03/05 CHKD: JMLT ON 2010/03/09 APPR: SMILLER 2010/03/09	QUALITY SYMBOLS ▼=0 ▽=0	GENERAL TOLERANCES (UNLESS SPECIFIED) mm INCH 4 PLACES ± --- ± --- 3 PLACES ± --- ± --- 2 PLACES ± 0.15 ± --- 1 PLACE ± 0.25 ± --- ANGULAR ± 1/2°	DIMENSION STYLE MM ONLY DRAWN BY DATE JONI AK 2008/07/09 CHECKED BY DATE JONI AK 2008/07/09 APPROVED BY DATE SMILLER 2010/03/09	SCALE 1:1 DESIGN UNITS METRIC THIRD ANGLE PROJECTION	TITLE VHDM H-SERIES 6 ROW BACKPLANE SIGNAL END	MATERIAL NO. SEE CHART	DOCUMENT NO. SD-76761-001	SHEET NO. 2 OF 2
	DRAFT WHERE APPLICABLE MUST REMAIN WITHIN DIMENSIONS		MOLEX INCORPORATED		THIS DRAWING CONTAINS INFORMATION THAT IS PROPRIETARY TO MOLEX INCORPORATED AND SHOULD NOT BE USED WITHOUT WRITTEN PERMISSION			



Компания «ЭлектроПласт» предлагает заключение долгосрочных отношений при поставках импортных электронных компонентов на взаимовыгодных условиях!

Наши преимущества:

- Оперативные поставки широкого спектра электронных компонентов отечественного и импортного производства напрямую от производителей и с крупнейших мировых складов;
- Поставка более 17-ти миллионов наименований электронных компонентов;
- Поставка сложных, дефицитных, либо снятых с производства позиций;
- Оперативные сроки поставки под заказ (от 5 рабочих дней);
- Экспресс доставка в любую точку России;
- Техническая поддержка проекта, помощь в подборе аналогов, поставка прототипов;
- Система менеджмента качества сертифицирована по Международному стандарту ISO 9001;
- Лицензия ФСБ на осуществление работ с использованием сведений, составляющих государственную тайну;
- Поставка специализированных компонентов (Xilinx, Altera, Analog Devices, Intersil, Interpoint, Microsemi, Aeroflex, Peregrine, Syfer, Eurofarad, Texas Instrument, Miteq, Cobham, E2V, MA-COM, Hittite, Mini-Circuits, General Dynamics и др.);

Помимо этого, одним из направлений компании «ЭлектроПласт» является направление «Источники питания». Мы предлагаем Вам помощь Конструкторского отдела:

- Подбор оптимального решения, техническое обоснование при выборе компонента;
- Подбор аналогов;
- Консультации по применению компонента;
- Поставка образцов и прототипов;
- Техническая поддержка проекта;
- Защита от снятия компонента с производства.



Как с нами связаться

Телефон: 8 (812) 309 58 32 (многоканальный)

Факс: 8 (812) 320-02-42

Электронная почта: org@eplast1.ru

Адрес: 198099, г. Санкт-Петербург, ул. Калинина, дом 2, корпус 4, литера А.