

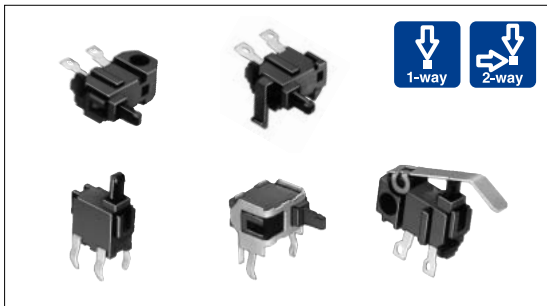
Detector Switch General-purpose Type

SPPB Series



A wide variety of detector switches available for various Digital AV devices.

- Detector
- Push
- Slide
- Rotary
- Encoders
- Power



Typical Specifications

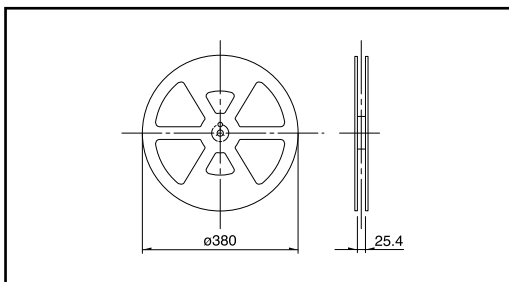
| Items | | Specifications |
|-------------------------------------------------------|--------------|------------------------------|
| Rating (max.)/(min.) (Resistive load) | | 0.1A 30V DC/50 μ A 3V DC |
| Contact resistance (Initial /After operating life) | | 1 max./2 max. |
| Operating force | | 0.35N max. |
| Operating life | Without load | 50,000cycles |
| | With load | 50,000cycles(0.1A 30V DC) |

Product Line

| Poles | Positions | Operating part shape | Operating direction | Terminal type | Packaging style | Minimum order unit (pcs) | Product No. | Drawing No. | | | | | |
|-------|-----------|----------------------|-------------------------|-------------------------|-----------------|----------------------------|-------------|-------------|-------------------------|--------|-------|------------|----|
| 1 | 1 | Push | Horizontal | Lead | Bulk | 10,000 | SPPB110300 | 1 | | | | | |
| | | | | | | | SPPB120200 | 2 | | | | | |
| | | | | | | | SPPB310400 | 7 | | | | | |
| | | Actuator A | Horizontal | Lead | | Bulk | 5,000 | SPPB320100 | 8 | | | | |
| | | | | | | | | SPPB1A0100 | 3 | | | | |
| | | | | | | | | SPPB1A0101 | 4 | | | | |
| | | Actuator C | Horizontal | Lead | | Bulk | 5,000 | SPPB2A0100 | 5 | | | | |
| | | | | | | | | SPPB2A0101 | 6 | | | | |
| | | | | | | | | SPPB512300 | 9 | | | | |
| | | Push | Vertical | For PC board (Dip) | Bulk | 10,000 | SPPB610400 | 13 | | | | | |
| | | | | | | | SPPB620300 | 14 | | | | | |
| | | | | | | | Actuator A | Horizontal | For PC board (Dip) | Bulk | 5,000 | SPPB5A0100 | 10 |
| | | | | | | | | | | | | SPPB6A0100 | 15 |
| | | | | | | | | | | | | SPPB6A0400 | 16 |
| | | | | | | | Push | Vertical | For PC board (Reflow) | Taping | 6000 | SPPB530701 | 11 |
| | | Horizontal | For PC board (Reflow) | Taping | 2400 | SPPB530601 | | | | | | 12 | |
| | | | | | | SPPB630101 | | | | | | 17 | |
| | | Push | Horizontal | For PC board (Reflow) | Taping | 5200 | SPPB640201 | 18 | | | | | |

Taping Specifications (Taping Packaging)

Reel Size Unit:mm




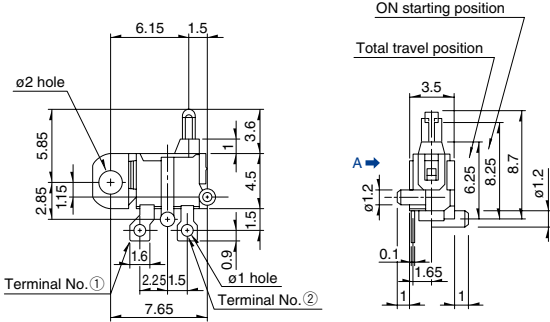
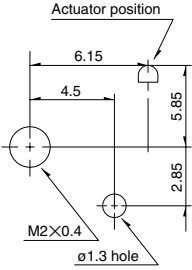

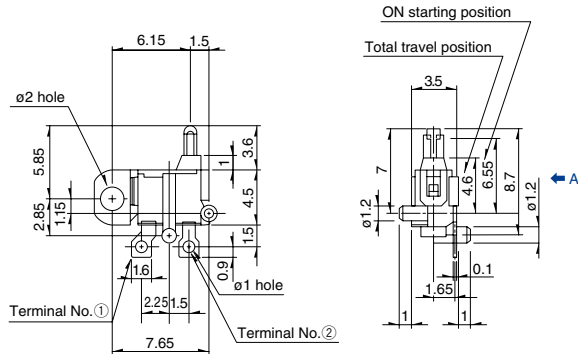
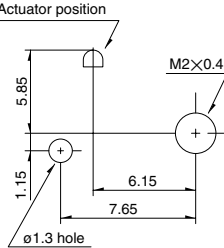

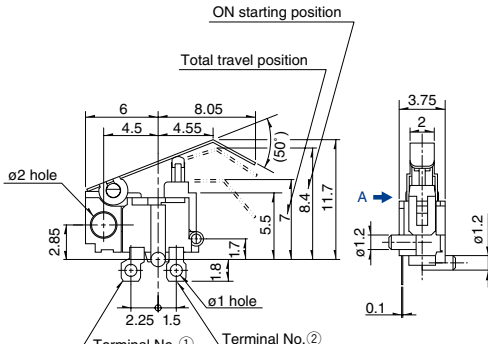
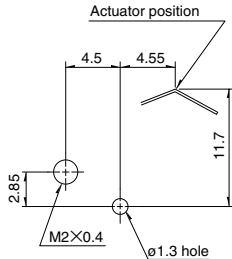
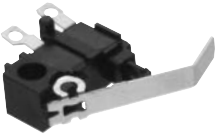
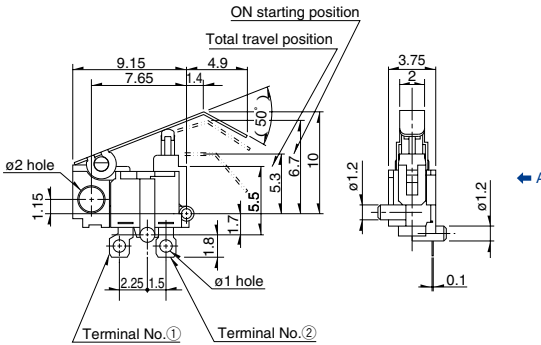
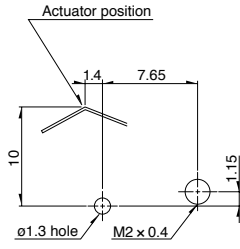
| Product No. | Number of packages(pcs.) | | | Tape width (mm) |
|--------------------------|----------------------------|---------------|------------------------|-------------------|
| | 1 reel | 1 case /Japan | 1 case /export packing | |
| SPPB530701 | 1,500 | 3,000 | 6,000 | 24 |
| SPPB530601 | 600 | 1,200 | 2,400 | |
| SPPB630601 SPPB640201 | 1,300 | 2,600 | 5,200 | |

Note

Please place purchase orders per minimum order unit(integer).

Dimensions

Unit:mm

| No. | Photo | Style | PC board mounting hole dimensions (Viewed from direction A) |
|-----|-------------------------------------------------------------------------------------|--------------------------------------------------------------------------------------|---------------------------------------------------------------------------------------|
| 1 |  |  |  |
| 2 |  |  |  |
| 3 |  |  |  |
| 4 |  |  |  |

Detector

Push

Slide

Rotary

Encoders

Power

Dual-in-line
Package Type

TACT Switch™

Custom-
Products

Dimensions

Unit:mm

Detector

Push

Slide

Rotary

Encoders

Power

Dual-in-line
 Package Type

TACT Switch™

Custom-
 Products


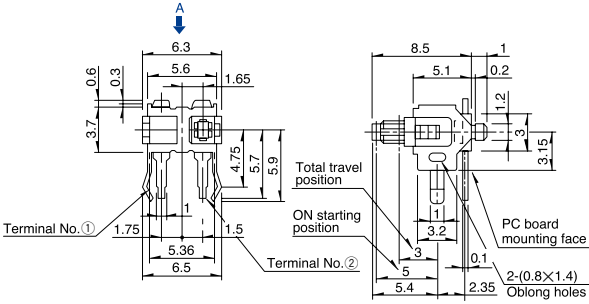
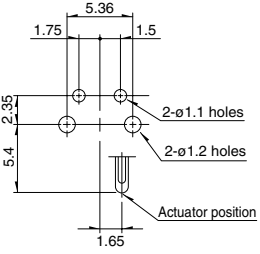

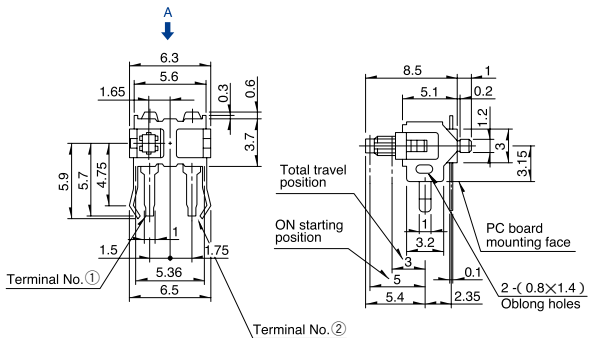
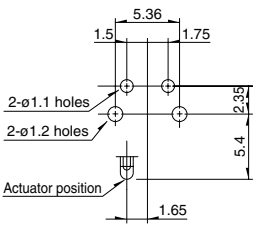
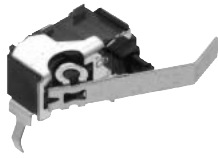
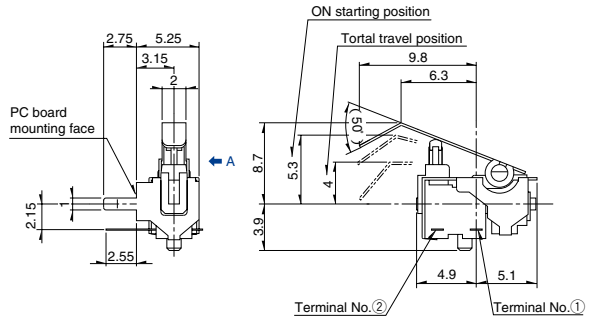
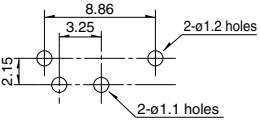
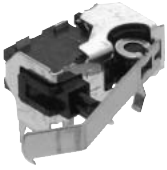
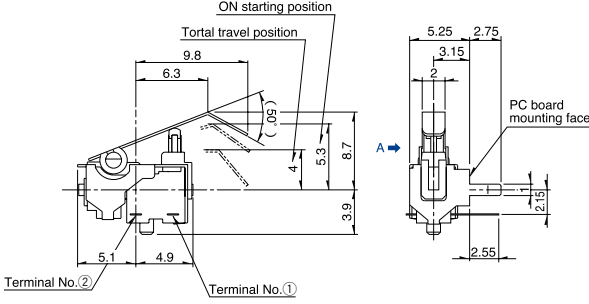
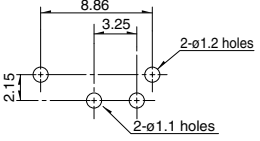
| No. | Photo | Style | PC board mounting hole dimensions (Viewed from direction A) |
|-----|-------|-------|----------------------------------------------------------------|
| 5 | | | |
| 6 | | | |
| 7 | | | |
| 8 | | | |

Detector Switch

General-purpose Type | SPPB Series

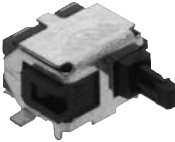
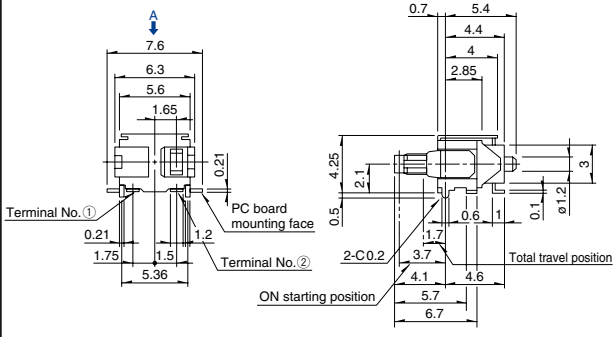
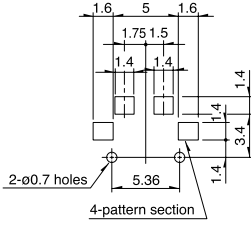

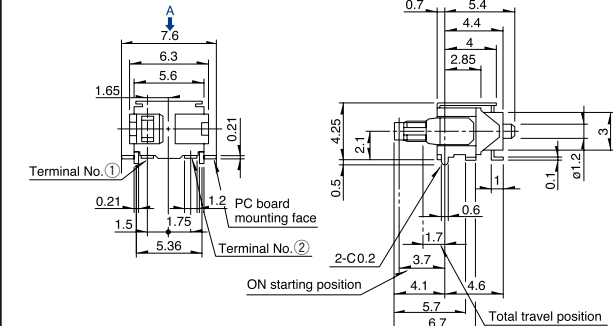
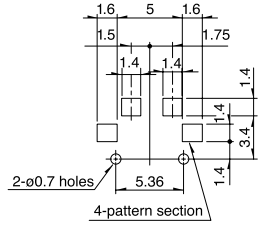
Dimensions

Unit:mm

| No. | Photo | Style | PC board mounting hole and land dimensions (Viewed from direction A) |
|------------------------------------------------------------------------------------------------------------------------------------------------------------------------|------------------------------------------------------------------------------------------------------|---------------------------------------------------------------------------------------------------------------|---------------------------------------------------------------------------------------|
| <p>Detector</p> <p>Push</p> <p>Slide</p> <p>Rotary</p> <p>Encoders</p> <p>Power</p> <p>Dual-in-line Package Type</p> <p>TACT Switch™</p> <p>Custom-Products</p> | <p>13</p>  | <p>Push</p>  |  |
| | <p>14</p>  | <p>Push</p>  |  |
| | <p>15</p>  | <p>Actuator A</p>  |  |
| | <p>16</p>  | <p>Actuator A</p>  |  |

Dimensions

Unit:mm

| No. | Photo | Style | PC board mounting hole and land dimensions (Viewed from direction A) |
|-----|------------------------------------------------------------------------------------|-------------------------------------------------------------------------------------|--------------------------------------------------------------------------------------|
| 17 |  |  |  |
| 18 |  |  |  |

Detector

Push

Slide

Rotary

Encoders

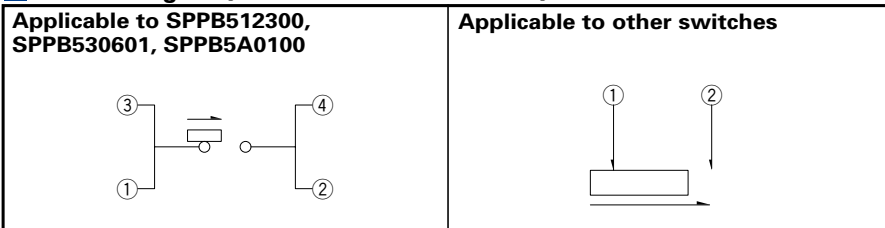
Power

Dual-in-line
Package Type

TACT Switch™

Custom-
Products

Circuit Diagram (Viewed from Direction A)



List of Varieties (General-purpose Type)

| Series | General-purpose Type | | | | | | | | |
|--------------------------------|------------------------------------------------------------------------------------------------------------------------------------------------------------------------|-----------------------------------------------------------------------------------|-----------------------------------------------------------------------------------|-----------------------------------------------------------------------------------|------------------------------------------------------------------------------------|-------------------------------------------------------------------------------------|-------------------------------------------------------------------------------------|-------------------------------------------------------------------------------------|--|
| | SPPB | SPVE | SPPW8 | SPVM | SPVR | SPVF | SSCU | SSCT | |
| Photo |  |  |  |  |  |  |  |  | |
| Operation type |   |  |  |  |  |  |  |  | |
| Operating temperature range | -40 to +85 | | -10 to +60 | | -40 to +85 | | -40 to +85 | | |
| Rating (max.) (Resistive load) | 0.1A 30V DC | | | 1mA 5V DC | | | 0.1A 12V DC | | |
| Rating (min.) (Resistive load) | 50μA 3V DC | | 100μA 3V DC | 50μA 3V DC | 100μA 3V DC | 50μA 3V DC | | | |
| Electrical performance | Initial contact resistance | 1 max. | 500m max. | 1 max. | 2 max. | 3 max. | 500m max. | 70m max. 20m max. | |
| | Insulation resistance | 100M min. 100V DC | | | | | | 100M min. 250V DC | |
| | Voltage proof | 100V AC for 1 minute | | | | | | 250V AC for 1 minute | |
| Mechanical performance | Terminal strength | 3N for 1 minute | 0.5N for 1 minute | 3N for 1 minute | 1N for 1 minute | 0.5N for 1 minute | 3N for 30s | 3N for 1 minute | |
| | Actuator strength | 10N | 5N | 10N | 5N | 2N | 1N | 5N 10N | |
| Durability | Operating life without Load | 50,000cycles 2 max. | 50,000cycles 1 max. | 100,000cycles 2 max. | 50,000cycles 5 max. | | 100,000cycles 1 max. | 10,000cycles 100m max. 40m max. | |
| | Operating life with Load | (0.1A 30V DC) 50,000cycles 2 max. | (0.1A 30V DC) 50,000cycles 1 max. | (0.1A 30V DC) 100,000cycles 2 max. | (1mA 5V DC) 50,000cycles 5 max. | | (1mA 5V DC) 100,000cycles 1 max. | (0.1A 12V DC) 10,000cycles 150m max. 60m max. | |
| Environmental performance | Cold | -20 ± 2 for 96h | | | | | -40 ± 2 for 96h | -20 ± 2 for 96h | |
| | Dry heat | 85 ± 2 for 96h | | | | | | | |
| | Damp heat | 40 ± 2 , 90 to 95%RH for 96h | | | | | | | |
| Dimensions (mm) | W | 6.3 | 3.4 | 5 | 2.8 | 3.6 | 9 | 11 12.5 | |
| | D | 3 | | 4 | 3.5 | 4.2 | 3.5 | 5.8 5 | |
| | H | 4.9 | 2.3 | | 1.5 | 1.2 | 4.5 | 7 11.5 | |
| Soldering | Manual soldering | 300 ± 5 , 5s max. | | 350 ± 5 , 3s max. | | | 300 ± 10 , 3 ± 1s | 350 ± 5 , 3s max. | |
| | Dip soldering | 260 ± 5 , 5 ± 1s | | 255 ± 5 , 5 ± 1s | | 245 ± 5 , 5 ± 1s | | 260 ± 5 , 5 ± 1s | |
| | Reflow soldering | Please see P.79 | | | | | | | |
| Number of poles | 1 | | | | | 1.2 | 1 | | |
| Operation force | 0.35N max. | 0.3N max. | | 0.4N max. | 0.35N max. | 0.3N max. | 0.5N max. | 0.7 ± 0.3N | |
| Page | 28 | 34 | 36 | 38 | 40 | 41 | 44 | 45 | |

Detector

Push

Slide

Rotary

Encoders

Power

Dual-in-line Package Type

TACT Switch™

Custom-Products

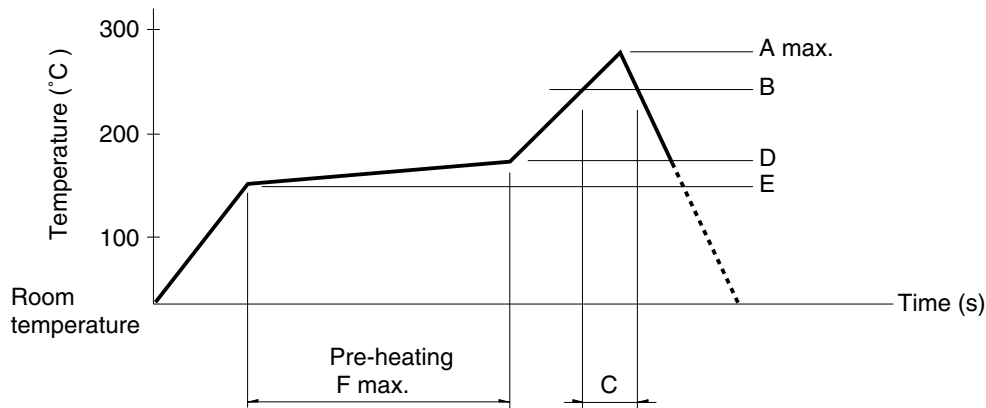
Detector Switches Soldering Conditions79

Detector Switches Cautions80

Soldering Conditions

Example of Reflow Soldering Condition

1. Heating method: Double heating method with infrared heater.
2. Temperature measurement: Thermocouple 0.1 to 0.2 CA (K) or CC (T) at soldering portion (copper foil surface). A heat resisting tape should be used for fixed measurement.
3. Temperature profile



Detector

Push

Slide

Rotary

Encoders

Power

Dual-in-line
Package Type

TACT Switch™

Custom-
Products

| Series(Reflow type) | A() 3s max. | B() | C(s) | D() | E() | F(s) |
|-----------------------|-----------------|------|------|------|------|------|
| SPPB | 250 | 230 | 40 | | | |
| SPPW8 | | 200 | 20 | | | |
| SPVE | 260 | 230 | 40 | 180 | 150 | 120 |
| SPVG | | | | | | |
| SPVL | | | | | | |
| SPVM | | | | | | |
| SPVN | | | | | | |
| SPVP | | | | | | |
| SPVR | | | | | | |
| SPVS | | | | | | |
| SSCM | | | | | | |
| SPPY5 | | | | | | |

Notes

1. The condition mentioned above is the temperature on the mounting surface of a PC board. There are cases where the PC board's temperature greatly differs from that of the switch, depending on the PC board's material, size, thickness, etc. The above-stated conditions shall also apply to switch surface temperatures.
2. Soldering conditions differ depending on reflow soldering machines. Prior verification of soldering condition is highly recommended.



Компания «ЭлектроПласт» предлагает заключение долгосрочных отношений при поставках импортных электронных компонентов на взаимовыгодных условиях!

Наши преимущества:

- Оперативные поставки широкого спектра электронных компонентов отечественного и импортного производства напрямую от производителей и с крупнейших мировых складов;
- Поставка более 17-ти миллионов наименований электронных компонентов;
- Поставка сложных, дефицитных, либо снятых с производства позиций;
- Оперативные сроки поставки под заказ (от 5 рабочих дней);
- Экспресс доставка в любую точку России;
- Техническая поддержка проекта, помощь в подборе аналогов, поставка прототипов;
- Система менеджмента качества сертифицирована по Международному стандарту ISO 9001;
- Лицензия ФСБ на осуществление работ с использованием сведений, составляющих государственную тайну;
- Поставка специализированных компонентов (Xilinx, Altera, Analog Devices, Intersil, Interpoint, Microsemi, Aeroflex, Peregrine, Syfer, Eurofarad, Texas Instrument, Miteq, Cobham, E2V, MA-COM, Hittite, Mini-Circuits, General Dynamics и др.);

Помимо этого, одним из направлений компании «ЭлектроПласт» является направление «Источники питания». Мы предлагаем Вам помощь Конструкторского отдела:

- Подбор оптимального решения, техническое обоснование при выборе компонента;
- Подбор аналогов;
- Консультации по применению компонента;
- Поставка образцов и прототипов;
- Техническая поддержка проекта;
- Защита от снятия компонента с производства.



Как с нами связаться

Телефон: 8 (812) 309 58 32 (многоканальный)

Факс: 8 (812) 320-02-42

Электронная почта: org@eplast1.ru

Адрес: 198099, г. Санкт-Петербург, ул. Калинина, дом 2, корпус 4, литера А.