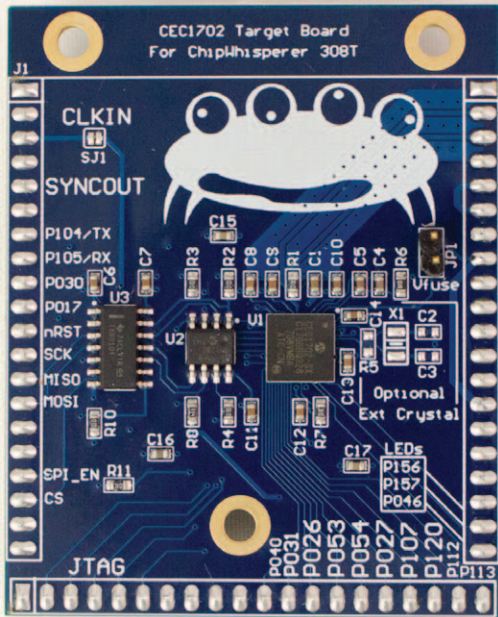




CEC1702 UFO Target



The CEC1702 has the unique CEC1702 chip from Microchip which features a Cortex M4F. This device contains extensive hardware cryptographic accelerators, including public key accelerators.

This device requires at minimum a JTAG programmer, but as it does not contain internal flash you also may need a SPI flash programmer if you wish to program the on-board SPI flash memory.

The baseboard is designed to allow various measurements to be performed, including on both the device during regular operation as well as during the loading process.

CW308 UFO Baseboard REQUIRED for use!
Programmer REQUIRED for use!

Product Highlights

Microchip CEC1702 target device.

SPI Flash chip includes bidirectional buffer to allow (a) programming of on-board SPI flash chip with external programmer, (b) sniffing SPI traffic without loading data lines, and (c) triggering on SPI traffic.

Example implementation of firmware projects that run on this device, including use of cryptographic AES accelerator.

Documentation on some of the unique features of the CEC1702 including the odd fuse requirements can be found on the wiki.

It is required to use a JTAG debugger for this device to simplify development and debug - we highly recommend an Arm JTAG programmer such as a Segger J-Link. If you wish to program the on-board SPI flash memory (the device has no FLASH memory itself) a SPI programmer is required. See wiki for full details and pinout.

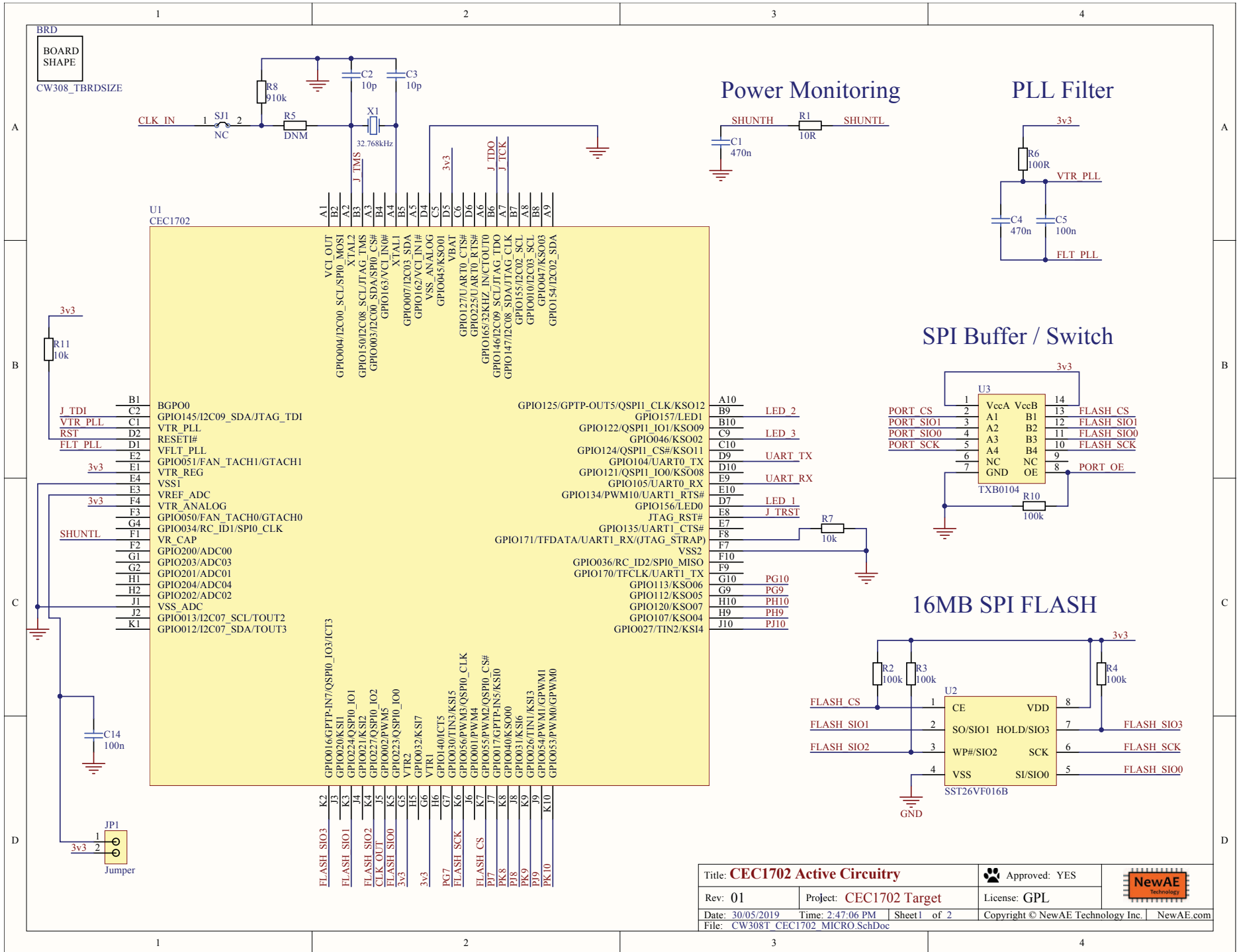
Full design files are available under an open-source license.

Ordering Summary

NAE-CW308T-CEC1702 Microchip CEC1702 UFO Target Board.

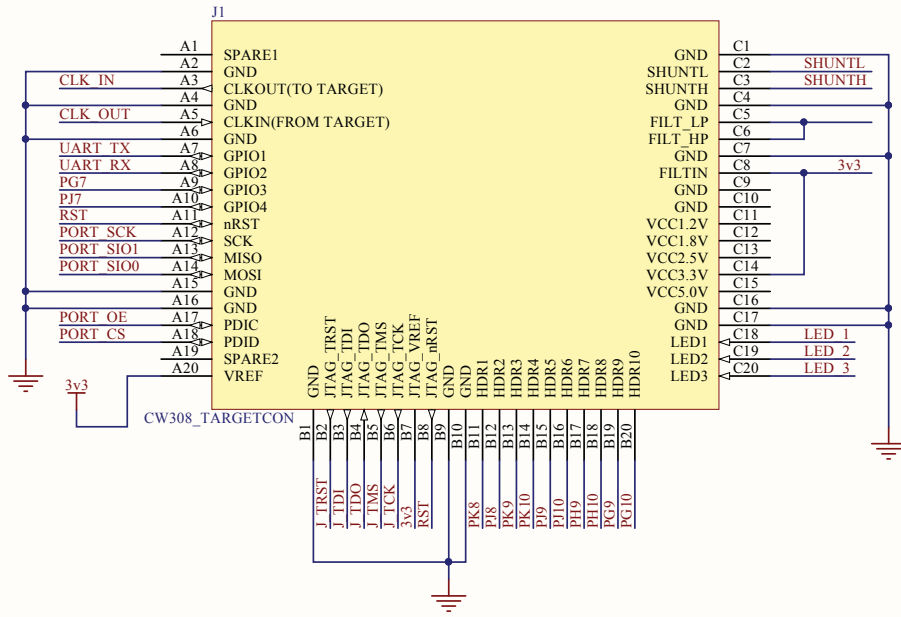
Product Links

- Full Documentation <https://wiki.newae.com/CW308T-CEC1702>
- Hardware Design <https://github.com/newaetech/chipwhisperer-target-cw308t>
- Firmware Example <https://github.com/newaetech/chipwhisperer/tree/develop/hardware/victims/firmware/>

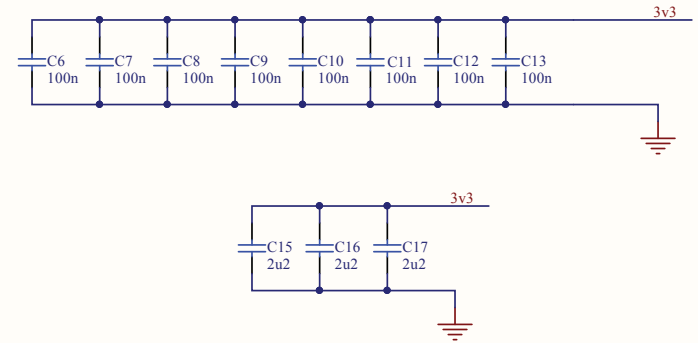


Title: CEC1702 Active Circuitry		Approved: YES	
Rev: 01	Project: CEC1702 Target	License: GPL	
Date: 30/05/2019	Time: 2:47:06 PM	Sheet 1 of 2	Copyright © NewAE Technology Inc. NewAE.com
File: CW308T_CEC1702_MICRO.SchDoc			

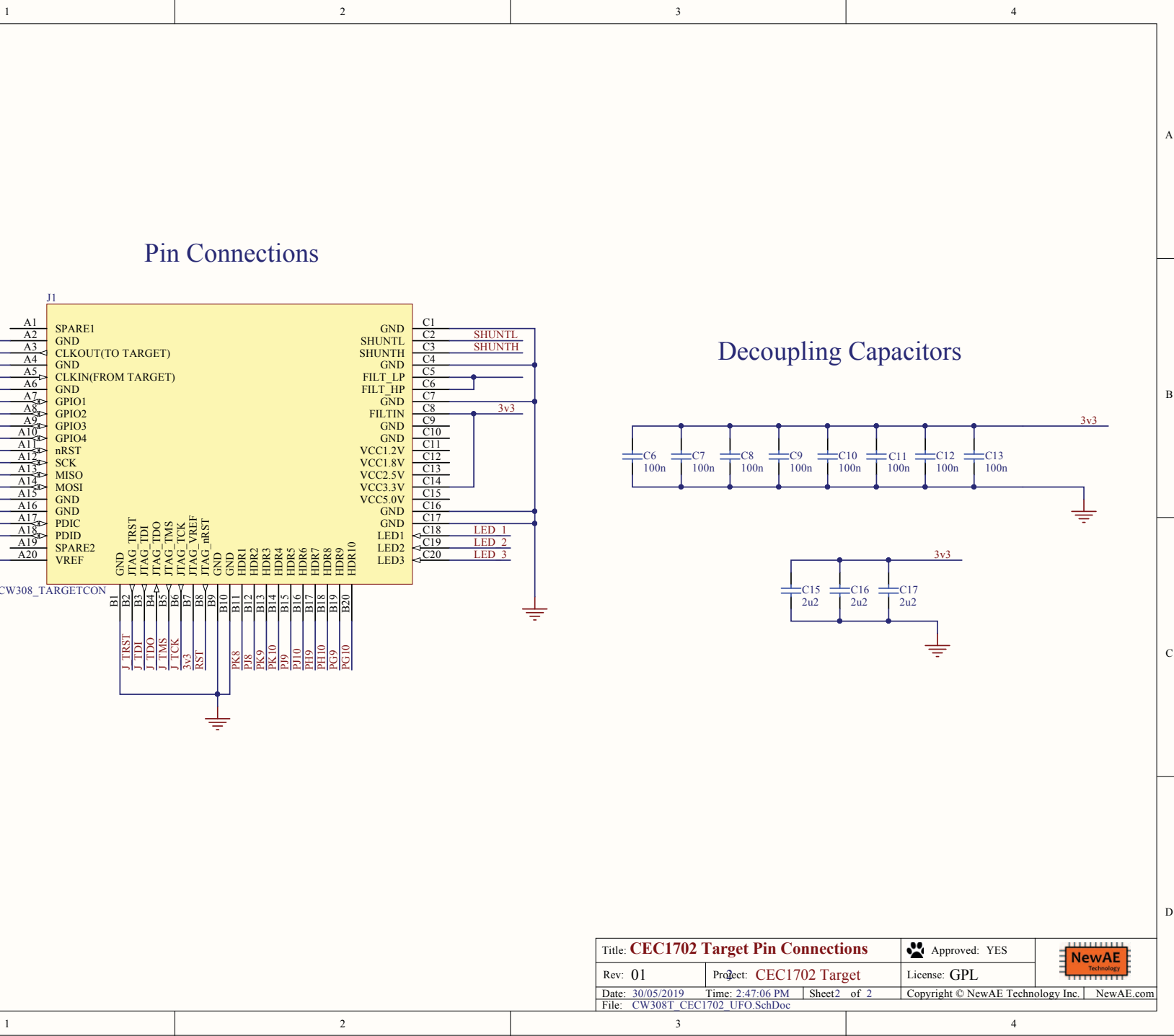
Pin Connections



Decoupling Capacitors



Title: CEC1702 Target Pin Connections		Approved: YES	
Rev: 01	Project: CEC1702 Target	License: GPL	
Date: 30/05/2019	Time: 2:47:06 PM	Sheet2 of 2	Copyright © NewAE Technology Inc. NewAE.com
File: CW308T_CEC1702_UFO.SchDoc			



Disclaimers

All content is Copyright NewAE Technology Inc., 2018. ChipWhisperer is a trademark of NewAE Technology Inc., registered in the United States of America and Europe. ChipSHOUTER is a trademark of NewAE Technology Inc., registered in Europe. Trademarks are claimed in all jurisdictions and may be registered in other states than specified here.

NewAE Technology makes no representations or warranties with respect to the accuracy or completeness of the contents of this document and reserves the right to make changes to specifications and product descriptions at any time without notice. NewAE Technology does not make any commitment to update the information contained herein. NewAE Technology products are not intended, authorized, or warranted for use as components in applications intended to support or sustain life. NewAE Technology products are designed solely for teaching purposes.

All other product names and trademarks are the property of their respective owners, which are in no way associated or affiliated with NewAE Technology Inc. Use of these names does not imply any co-operation or endorsement.



Компания «ЭлектроПласт» предлагает заключение долгосрочных отношений при поставках импортных электронных компонентов на взаимовыгодных условиях!

Наши преимущества:

- Оперативные поставки широкого спектра электронных компонентов отечественного и импортного производства напрямую от производителей и с крупнейших мировых складов;
- Поставка более 17-ти миллионов наименований электронных компонентов;
- Поставка сложных, дефицитных, либо снятых с производства позиций;
- Оперативные сроки поставки под заказ (от 5 рабочих дней);
- Экспресс доставка в любую точку России;
- Техническая поддержка проекта, помощь в подборе аналогов, поставка прототипов;
- Система менеджмента качества сертифицирована по Международному стандарту ISO 9001;
- Лицензия ФСБ на осуществление работ с использованием сведений, составляющих государственную тайну;
- Поставка специализированных компонентов (Xilinx, Altera, Analog Devices, Intersil, Interpoint, Microsemi, Aeroflex, Peregrine, Syfer, Eurofarad, Texas Instrument, Miteq, Cobham, E2V, MA-COM, Hittite, Mini-Circuits, General Dynamics и др.);

Помимо этого, одним из направлений компании «ЭлектроПласт» является направление «Источники питания». Мы предлагаем Вам помощь Конструкторского отдела:

- Подбор оптимального решения, техническое обоснование при выборе компонента;
- Подбор аналогов;
- Консультации по применению компонента;
- Поставка образцов и прототипов;
- Техническая поддержка проекта;
- Защита от снятия компонента с производства.



Как с нами связаться

Телефон: 8 (812) 309 58 32 (многоканальный)

Факс: 8 (812) 320-02-42

Электронная почта: org@eplast1.ru

Адрес: 198099, г. Санкт-Петербург, ул. Калинина, дом 2, корпус 4, литера А.