

PLEASE CHECK WWW.MOLEX.COM FOR LATEST PART INFORMATION

Part Number: [0555600807](#)
Status: **Active**
Overview: [slimstack_050mm_020_pitch](#)
Description: 0.50mm (.020") Pitch SlimStack™ Plug, Surface Mount, Dual Row, Vertical, 1.50mm (.059") Stack Height, 80 Circuits

Documents:

[3D Model](#) [Product Specification PS-54722-010 \(PDF\)](#)
[Drawing \(PDF\)](#) [RoHS Certificate of Compliance \(PDF\)](#)
[Product Specification PS-54722-009 \(PDF\)](#)

General

Product Family	PCB Headers
Series	55560
Application	Board-to-Board
Overview	slimstack_050mm_020_pitch
Product Name	SlimStack™

Physical

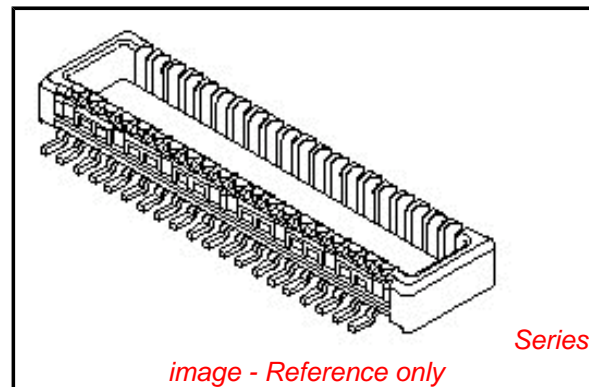
Breakaway	No
Circuits (Loaded)	80
Circuits (maximum)	80
First Mate / Last Break	No
Glow-Wire Compliant	No
Guide to Mating Part	No
Keying to Mating Part	None
Lock to Mating Part	Yes
Mated Height (in)	0.059 In
Mated Height (mm)	1.50 mm
Material - Metal	Brass
Material - Plating Mating	Gold
Material - Plating Termination	Gold
Number of Rows	2
Orientation	Vertical
PC Tail Length (in)	0.029 In
PC Tail Length (mm)	0.74 mm
PCB Locator	No
PCB Retention	None
Packaging Type	Embossed Tape on Reel
Pitch - Mating Interface (in)	0.020 In
Pitch - Mating Interface (mm)	0.50 mm
Plating min: Mating (µin)	10
Plating min: Mating (µm)	0.25
Plating min: Termination (µin)	4
Plating min: Termination (µm)	0.1
Shrouded	Fully
Stackable	No
Temperature Range - Operating	-25°C to +85°C
Termination Interface: Style	Surface Mount

Electrical

Current - Maximum per Contact	0.5A
Voltage - Maximum	50V

Material Info

Reference - Drawing Numbers



EU RoHS

**ELV and RoHS
Compliant**
REACH SVHC
 Not Reviewed
**Halogen-Free
Status**

China RoHS



Not Reviewed

**Need more information on product
environmental compliance?**

Email productcompliance@molex.com
 For a multiple part number RoHS Certificate of
 Compliance, [click here](#)

Please visit the [Contact Us](#) section for any
 non-product compliance questions.

Search Parts in this Series

[55560Series](#)

Mates With

[54722 PCB Receptacle](#)

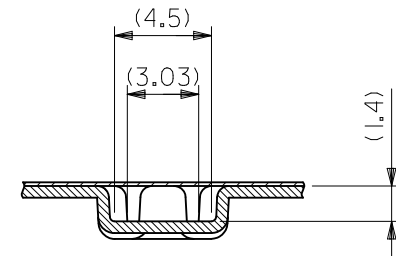
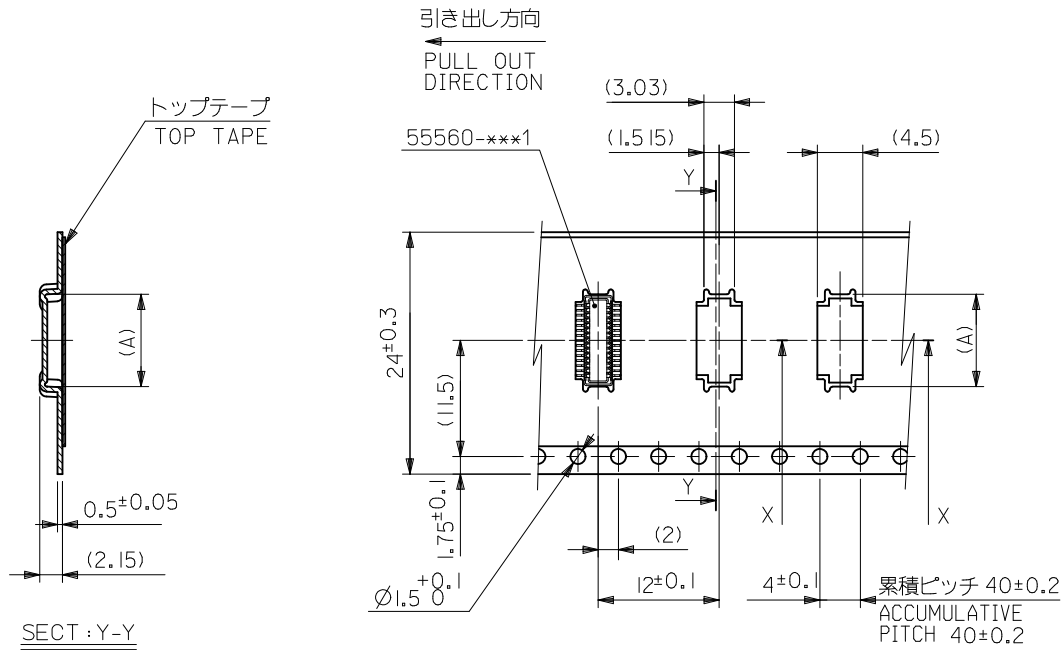
Packaging Specification
Product Specification

Sales Drawing

SPK-55560-001
PS-54722-009, PS-54722-010, RPS-54722-024,
RPS-54722-026, RPS-54722-029, RPS-54722-030,
RPS-54722-031, RPS-54722-034
SD-55560-007

This document was generated on 05/27/2010

PLEASE CHECK WWW.MOLEX.COM FOR LATEST PART INFORMATION

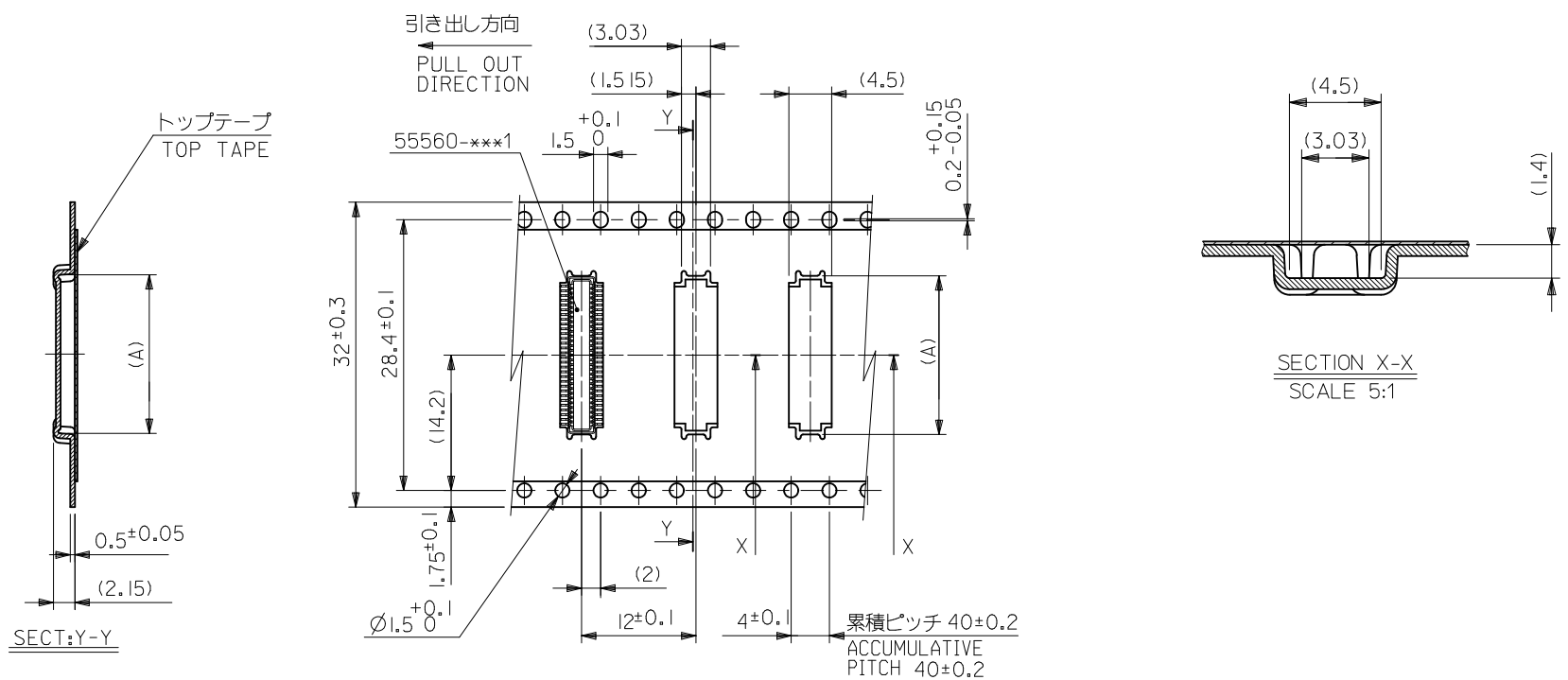


SECTION X-X
SCALE 5:1

24mm幅キャリアテープ
24mm WIDTH CARRIER TAPE

24	25.5	14.15	55560-0507	55560-***7	50
		11.65	55560-0407		40
		10.15	55560-0347		34
		9.15	55560-0307		30
		7.65	55560-0247		24
		7.15	55560-0227		22
キャリアテープ幅 CARRIER TAPE WIDTH	B	(A)	MATERIAL No.	MODEL No.	極数 CIRCUIT

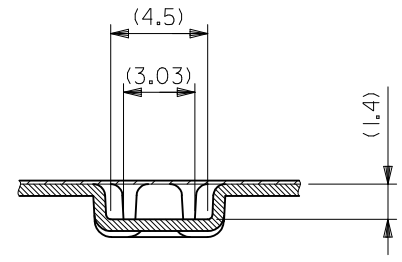
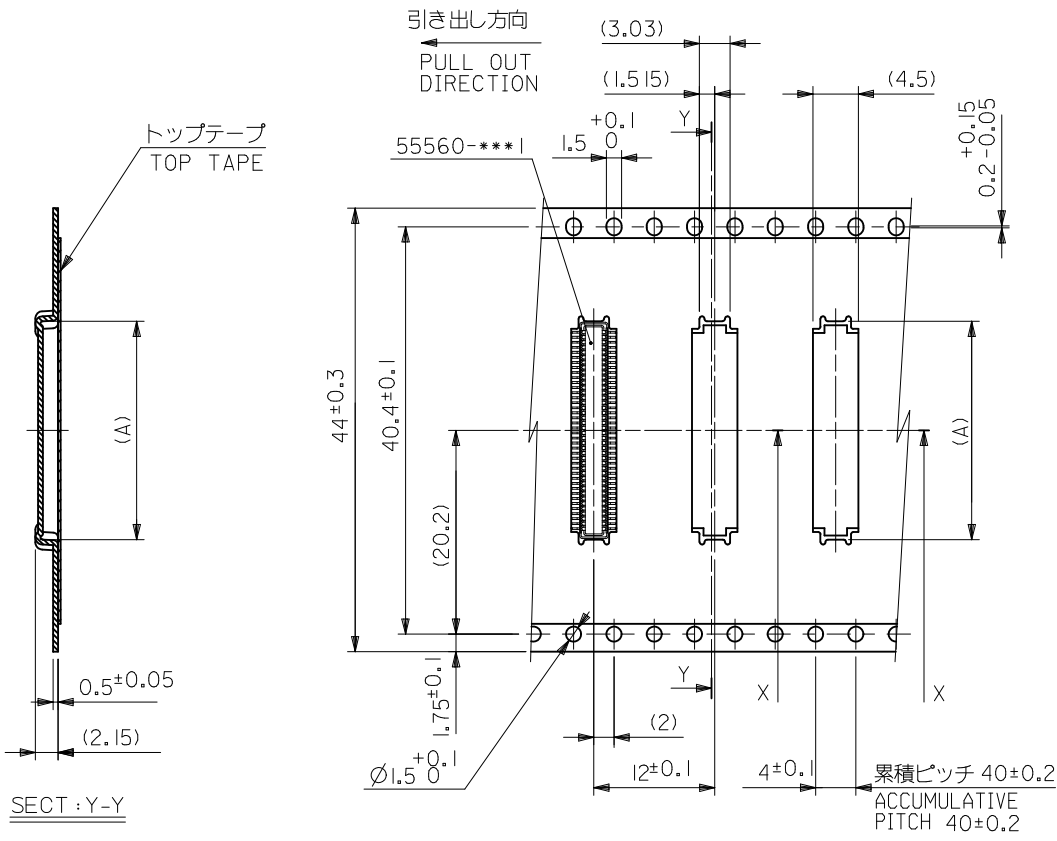
REVISED EC NO: J2010-1529 DRWN: YON002 2010/01/28 CHKD: SMARUYAMA 2010/02/01 APPR: MSASAO 2010/02/02	GENERAL TOLERANCES (UNLESS SPECIFIED)		DIMENSION STYLE MM ONLY		SCALE ---	DESIGN UNITS METRIC	THIRD ANGLE PROJECTION
	10 UNDER	±0.2	DRAWN BY S. AIHARA	DATE '00/10/06	TITLE 0.5 B-T0-B PLUG ASSY (HGT=1.5) EMBSTP PKG (SHEET 3 OF 5)		
	10 OVER 30 UNDER	±0.25	CHECKED BY M. SASAO	DATE '03/03/31	MOLEX INCORPORATED		
	30 OVER	±0.3	APPROVED BY M. SASAO	DATE '03/03/31	MATERIAL NO. SEE TABLE	DOCUMENT NO. SD-55560-007	SHEET NO. 3 OF 5
J	REVISION	ANGULAR ±3 °	DRAFT WHERE APPLICABLE MUST REMAIN WITHIN DIMENSIONS		THIS DRAWING CONTAINS INFORMATION THAT IS PROPRIETARY TO MOLEX INCORPORATED AND SHOULD NOT BE USED WITHOUT WRITTEN PERMISSION		



32mm幅キャリアテープ
32mm WIDTH CARRIER TAPE

32	33.5	16.65	55560-0607	55560-***7	60
キャリアテープ幅 CARRIER TAPE WIDTH	B	(A)	MATERIAL No.	MODEL No.	極数 CIRCUIT

REVISED EC NO: J2010-1529 DRWN: YON002 CH'KD: SMARUYAMA APPR: MSASAO 2010/01/28 2010/02/01 2010/02/02	GENERAL TOLERANCES (UNLESS SPECIFIED)		DIMENSION STYLE MM ONLY		SCALE ---	DESIGN UNITS METRIC	THIRD ANGLE PROJECTION
	10 UNDER	±0.2	DRAWN BY T. YASUI	DATE '02/03/06	TITLE 0.5 B-T0-B PLUG ASSY (HGT=1.5) EMBSTP PKG (SHEET 4 OF 5)		
	10 OVER 30 UNDER	±0.25	CHECKED BY M. SASAO	DATE '03/03/31	MOLEX INCORPORATED		
	30 OVER	±0.3	APPROVED BY M. SASAO	DATE '03/03/31	MATERIAL NO. SEE CHART	DOCUMENT NO. SD-55560-007	SHEET NO. 4 OF 5
J	DESCRIPTION	ANGULAR ±3 °	THIS DRAWING CONTAINS INFORMATION THAT IS PROPRIETARY TO MOLEX INCORPORATED AND SHOULD NOT BE USED WITHOUT WRITTEN PERMISSION				
		DRAFT WHERE APPLICABLE MUST REMAIN WITHIN DIMENSIONS					



SECTION X-X
SCALE 5:1

44mm幅キャリアテープ
44mm WIDTH CARRIER TAPE

44	45.5	21.65	55560-0807	55560-***7	80
キャリアテープ幅 CARRIER TAPE WIDTH	B	(A)	MATERIAL No.	MODEL No.	極数 CIRCUIT

REVISED EC NO: J2010-1529 DRWN: YON002 CH'KD: SMARUYAMA APPR: MSASAO 2010/01/28 2010/02/01 2010/02/01	GENERAL TOLERANCES (UNLESS SPECIFIED)		DIMENSION STYLE MM ONLY		SCALE ---	DESIGN UNITS METRIC	THIRD ANGLE PROJECTION
	10 UNDER	±0.2	DRAWN BY S. AIHARA	DATE '00/10/06	TITLE 0.5 B-T0-B PLUG ASSY (HGT=1.5) EMBSTP PKG (SHEET 5 OF 5)		
	10 OVER 30 UNDER	±0.25	CHECKED BY M. SASAO	DATE '03/03/31	MOLEX INCORPORATED		
	30 OVER	±0.3	APPROVED BY M. SASAO	DATE '03/03/31	MATERIAL NO. DOCUMENT NO. SHEET NO. SEE CHART SD-55560-007 5 OF 5		
J	REVISION	DESCRIPTION	ANGULAR ±3 °		THIS DRAWING CONTAINS INFORMATION THAT IS PROPRIETARY TO MOLEX INCORPORATED AND SHOULD NOT BE USED WITHOUT WRITTEN PERMISSION		
			DRAFT WHERE APPLICABLE MUST REMAIN WITHIN DIMENSIONS				



Компания «ЭлектроПласт» предлагает заключение долгосрочных отношений при поставках импортных электронных компонентов на взаимовыгодных условиях!

Наши преимущества:

- Оперативные поставки широкого спектра электронных компонентов отечественного и импортного производства напрямую от производителей и с крупнейших мировых складов;
- Поставка более 17-ти миллионов наименований электронных компонентов;
- Поставка сложных, дефицитных, либо снятых с производства позиций;
- Оперативные сроки поставки под заказ (от 5 рабочих дней);
- Экспресс доставка в любую точку России;
- Техническая поддержка проекта, помощь в подборе аналогов, поставка прототипов;
- Система менеджмента качества сертифицирована по Международному стандарту ISO 9001;
- Лицензия ФСБ на осуществление работ с использованием сведений, составляющих государственную тайну;
- Поставка специализированных компонентов (Xilinx, Altera, Analog Devices, Intersil, Interpoint, Microsemi, Aeroflex, Peregrine, Syfer, Eurofarad, Texas Instrument, Miteq, Cobham, E2V, MA-COM, Hittite, Mini-Circuits, General Dynamics и др.);

Помимо этого, одним из направлений компании «ЭлектроПласт» является направление «Источники питания». Мы предлагаем Вам помощь Конструкторского отдела:

- Подбор оптимального решения, техническое обоснование при выборе компонента;
- Подбор аналогов;
- Консультации по применению компонента;
- Поставка образцов и прототипов;
- Техническая поддержка проекта;
- Защита от снятия компонента с производства.



Как с нами связаться

Телефон: 8 (812) 309 58 32 (многоканальный)

Факс: 8 (812) 320-02-42

Электронная почта: org@eplast1.ru

Адрес: 198099, г. Санкт-Петербург, ул. Калинина, дом 2, корпус 4, литера А.