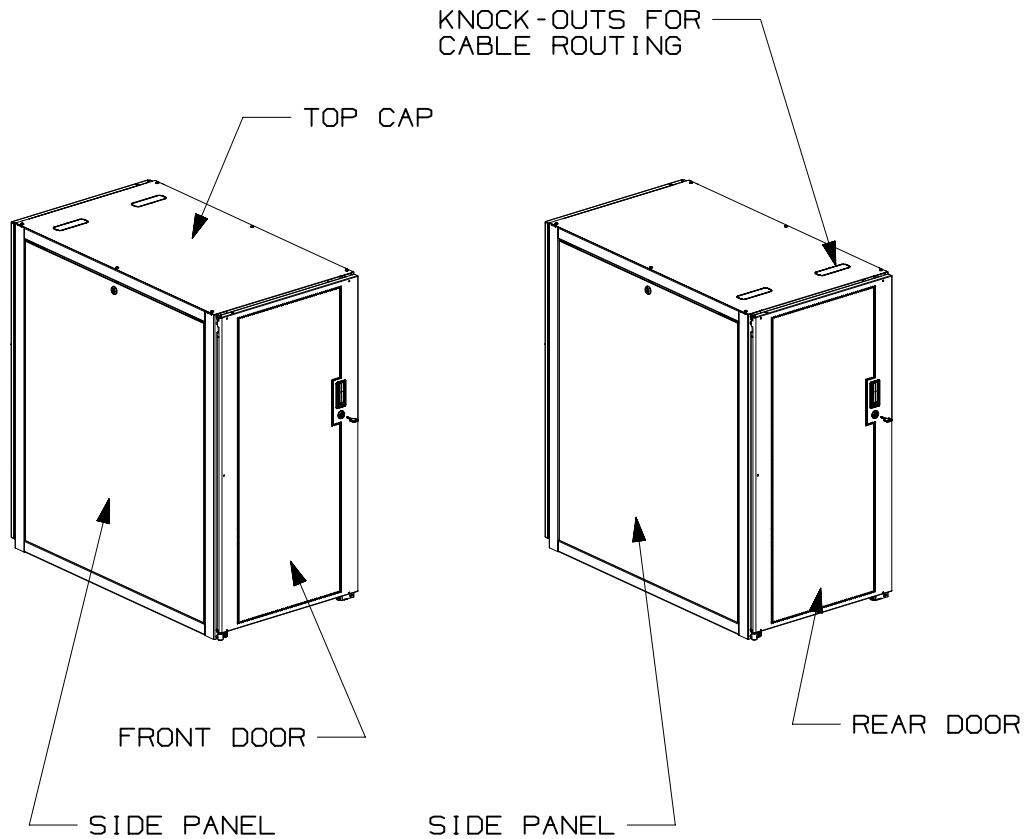


THIS COPY IS PROVIDED ON A RESTRICTED BASIS AND IS NOT TO BE USED IN ANY WAY DETRIMENTAL TO THE INTERESTS OF PANDUIT CORP.

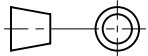


1. VISIT OUR ON-LINE CATALOG AT WWW.PANDUIT.COM FOR A LIST OF CURRENT PARTS APPLICABLE FOR USE WITH THIS PRODUCT.
2. PRIMARY DIMENSIONS ARE IN MILLIMETERS.
3. INCREMENTALLY ADJUSTABLE REAR EQUIPMENT MOUNTING RAILS (EIA) ARE FACTORY SET AT 742mm FROM FIXED FRONT RAILS. REAR RAILS ADJUST FROM 46mm TO 932mm IN INCREMENTS OF 32mm.
4. CAN BE USED WITH ANY 19" EIA STANDARD COMPONENT IN ADDITION TO ALL PANDUIT HORIZONTAL CABLE MANAGEMENT AND PATCH PANEL PRODUCTS.
5. EIA UNIVERSAL STANDARD HOLE PROGRESSION ON EQUIPMENT RAILS 15.88mm, 15.88mm, 12.70mm, 15.88mm, 15.88mm, 12.7mm...ETC.
6. PARTS SUPPLIED:
 - BASE CABINET
 - FRONT PERFORATED DOOR (SEE CHART ON SHEET 2)
 - REAR PERFORATED DOOR (SEE CHART ON SHEET 2)
 - SIDE PANEL (SEE CHART ON SHEET 2)
 - EQUIPMENT RAILS FRONT & REAR (SEE CHART ON SHEET 2)
 - CASTERS (SEE CHART ON SHEET 2)
 - INSTRUCTION SHEET
7. RACK UNIT SPACING NUMERALS ARE CLEARLY PRINTED ON EQUIPMENT MOUNTING RAILS.
8. FULLY BONDED STRUCTURE WHEN ASSEMBLED PER INSTRUCTIONS.
9. STATIC LOAD TESTED TO 567 Kg (1250 LBS).
10. ROLLING LOAD TESTED TO 227 Kg (500 LBS).
11. SINGLE POINT GROUND LOCATIONS AT BOTTOM OF CABINET.
12. ALL CABINET RAILS ARE INSTALLED NUMBERS UP.

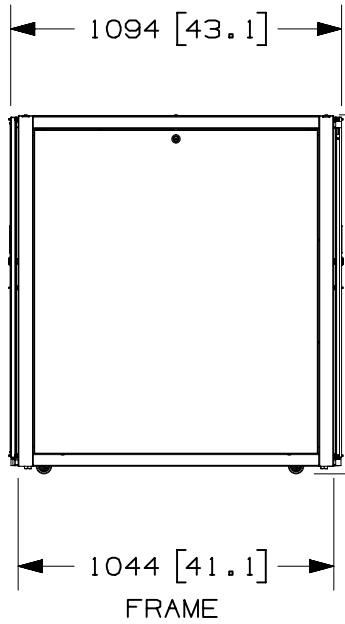
TITLE ENTERPRISE SERVER CONFIGURED CABINET 600mm WIDE x 1070mm DEEP FAMILY					
CUSTOMER DRAWING					
ITEM REVISION NAME 13V368ZC/00.PRT				PANDUIT TM	
DATASET FILE NAME 13V368ZC_DC/00A.PRT					
UNLESS OTHERWISE SPECIFIED, DIMENSIONAL TOLERANCES ARE:					
INCHES		METRIC - MILLIMETER		ANGLE	
X.X	+/- 0.03	X.	+/- 0.8	+/- 1°	
X.XX	+/- 0.018	X.X	+/- 0.46		
X.XXX	+/- 0.007	X.XX	+/- 0.18		
DRAWING NUMBER: 13V368ZC-DC				MATERIAL/COLOR: N/A	
OOA	5-17-13	TKW	PBD	RELEASED TO PRODUCTION	
REV	DATE	BY	CHK	APR	DESCRIPTION
	5-17-13	TKW	PBD		13V368ZC-DC
				SCALE	SHT 1 OF 5
				NONE	A

THIS COPY IS PROVIDED ON A RESTRICTED BASIS AND IS NOT TO BE USED IN ANY WAY DETRIMENTAL TO THE INTERESTS OF PANDUIT CORP.

PART NO.	DESCRIPTION	QUANTITY						CABINET WEIGHT UNPACKAGED	CABINET WEIGHT SHIPPING NO PALLET	CABINET WEIGHT SHIPPING WITH PALLET
		SINGLE HINGE FRONT DOOR	SINGLE HINGE REAR DOOR	SIDE PANEL	FRONT POST WITH INTEGRATED CAGE NUT E-RAIL	REAR CAGE NUT E-RAIL	SWIVEL CASTERS			
E6212B1	12 RU ENTERPRISE CABINET 600mm WIDE X 1070mm DEEP	01	01	02	02	02	04	34.9 Kg 77 LBS	N/A	52.6 Kg 116 LBS
E6212B1FP	12 RU ENTERPRISE CABINET 600mm WIDE X 1070mm DEEP - FLAT PACKED	01	01	02	02	02	04	34.9 Kg 77 LBS	43.1 Kg 95 LBS	58.1 Kg 128 LBS
E6212B1FP5	12 RU ENTERPRISE CABINET 600mm WIDE X 1070mm DEEP - FLAT PACKED (5) PER PALLET	01	01	02	02	02	04	174.5 Kg (5 X 34.9 Kg) 385 LBS (5 X 77 LBS)	N/A	230.5 Kg (5 X 43.1 Kg)+ (1 X 15 Kg) PALLET 508 LBS (5 X 95 LBS)+ (1 X 33 LBS) PALLET
E6412B2	24 RU ENTERPRISE CABINET 600mm WIDE X 1070mm DEEP	01	01	02	02	02	04	45.8 Kg 101 LBS	N/A	63.5 Kg 140 LBS
E6412B2FP	24 RU ENTERPRISE CABINET 600mm WIDE X 1070mm DEEP - FLAT PACKED	01	01	02	02	02	04	45.8 Kg 101 LBS	N/A	79.4 Kg 175 LBS
E6412B2FP5	24 RU ENTERPRISE CABINET 600mm WIDE X 1070mm DEEP - FLAT PACKED (5) PER PALLET	01	01	02	02	02	04	229 Kg (5 X 45.8 Kg) 505 LBS (5 X 101 LBS)	N/A	324 Kg (5 X 61.2 Kg)+ (1 X 18 Kg) PALLET 715 LBS (5 X 135 LBS)+ (1 X 40 LBS) PALLET

					TITLE		ENTERPRISE SERVER CONFIGURED CABINET 600mm WIDE x 1070mm DEEP FAMILY					
					CUSTOMER DRAWING							
					ITEM REVISION NAME		13V368ZC/00.PRT					
					DATASET FILE NAME		13V368ZC_DC/00A.PRT					
					UNLESS OTHERWISE SPECIFIED, DIMENSIONAL TOLERANCES ARE:		MATERIAL/COLOR:					
					INCHES +/- 0.03		METRIC - MILLIMETER		ANGLE			
					X.X +/- 0.01		X.X +/- 0.8		+/- 1°			
					X.XX +/- 0.018		X.X +/- 0.46		N/A			
					X.XXX +/- 0.007		X.XX +/- 0.18					
OOA	5-17-13	TKW	PBD		SEE SHEET 1 OF 5 FOR REVISIONS	13V368ZC-DC	 THIRD ANGLE PROJECTION		DRAWING NUMBER:		13V368ZC-DC	
REV	DATE	BY	CHK	APR	DESCRIPTION	ECN	DRAWN BY	DATE	CHK	SCALE	SHT 2 OF 5	SIZE
							TKW	5-17-13	PBD	NONE		A

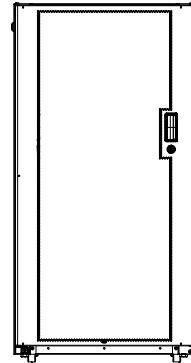
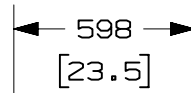
THIS COPY IS PROVIDED ON A RESTRICTED BASIS AND IS NOT TO BE USED IN ANY WAY DETRIMENTAL TO THE INTERESTS OF PANDUIT CORP.



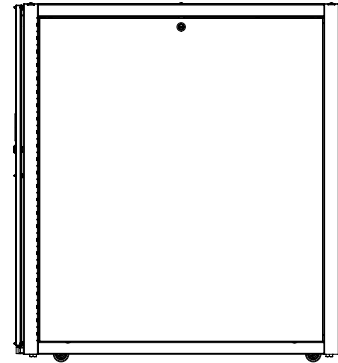
HEIGHT
WITH
CASTERS

12RU
653.95
[25.75]

24RU
1187
[46.7]



SWIVEL
FRONT
CASTERS



SWIVEL
REAR
CASTERS

REV	DATE	BY	CHK	APR	DESCRIPTION	ECN
00A	5-17-13	TKW	PBD		SEE SHEET 1 OF 5 FOR REVISIONS	13V368ZC-DC

TITLE ENTERPRISE SERVER CONFIGURED CABINET 600mm WIDE x 1070mm DEEP FAMILY			
CUSTOMER DRAWING			
ITEM REVISION NAME 13V368ZC/00.PRT		PANDUIT TM	
DATASET FILE NAME 13V368ZC_DC/00A.PRT			
UNLESS OTHERWISE SPECIFIED, DIMENSIONAL TOLERANCES ARE:			MATERIAL/COLOR: N/A
INCHES	METRIC - MILLIMETER	ANGLE	
X.X +/- 0.03	X. +/- 0.8	+/- 1°	
X.XX +/- 0.018	X.X +/- 0.46		
X.XXX +/- 0.007	X.XX +/- 0.18		
DRAWN BY TKW		DATE 5-17-13	CHK PBD
SCALE NONE		DRAWING NUMBER: 13V368ZC-DC	
SHT 3 OF 5		SIZE A	

2

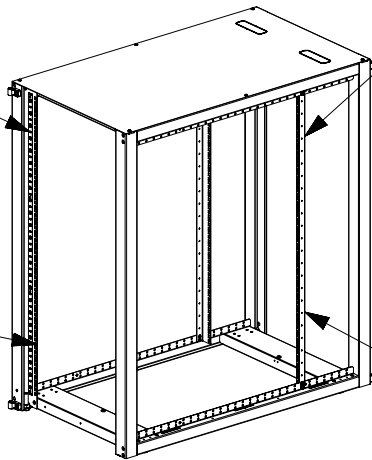
1

2

1

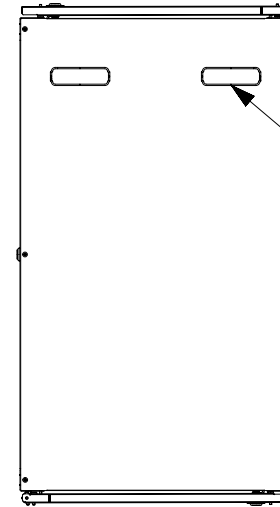
RACK UNITS ARE NUMBERED AND INDEXED FOR IDENTIFICATION

(2) FIXED FRONT POSTS WITH INTEGRATED EQUIPMENT RAILS



SEE NOTES ON SHEET 1 FOR REAR EQUIPMENT RAIL ADJUSTMENT RANGE

(2) REAR EQUIPMENT RAILS



(2) CABLE OPENINGS (33mm X 120mm) COMPATIBLE WITH BEZELS AND COVERS P/N: CTCN1X5

BEZELS AND COVERS ARE COMPATIBLE W/ COOL BOOT P/N: CTGN1X5

FRONT DOOR, REAR DOOR, AND SIDE PANELS NOT SHOWN

TOP VIEW

A

A

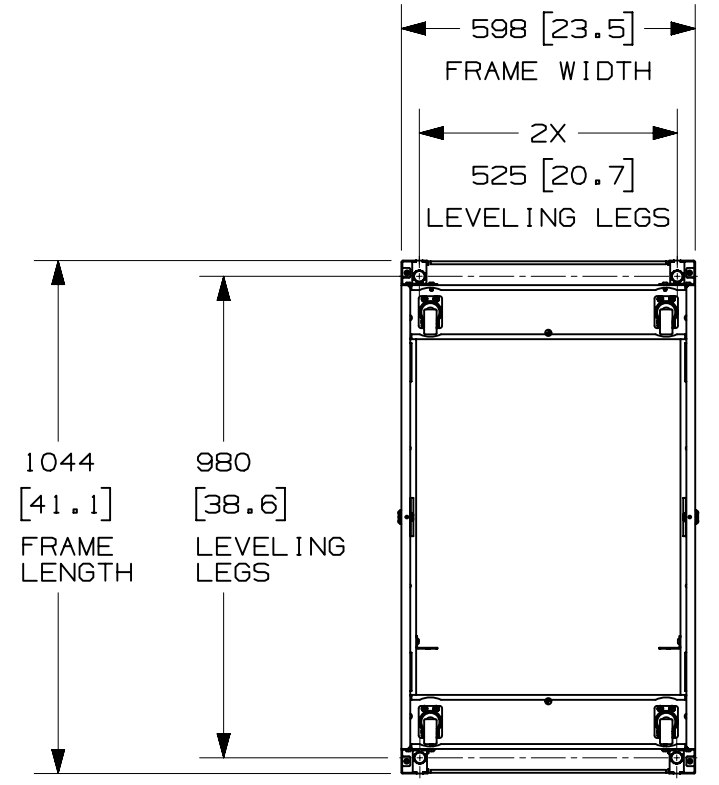
REV	DATE	BY	CHK	APR	DESCRIPTION	ECN
OOA	5-17-13	TKW	PBD		SEE SHEET 1 OF 5 FOR REVISIONS	13V368ZC-DC

TITLE ENTERPRISE SERVER CONFIGURED CABINET 600mm WIDE x 1070mm DEEP FAMILY		
CUSTOMER DRAWING		
ITEM REVISION NAME 13V368ZC/00.PRT	PANDUIT ™	
DATASET FILE NAME 13V368ZC_DC/00A.PRT	MATERIAL/COLOR: N/A	
UNLESS OTHERWISE SPECIFIED, DIMENSIONAL TOLERANCES ARE:	DRAWING NUMBER: 13V368ZC-DC	
INCHES +/- 0.03 X.X +/- 0.018 X.XX +/- 0.018 X.XXX +/- 0.007	METRIC - MILLIMETER +/- 0.8 X. +/- 0.46 X.X +/- 0.18	ANGLE +/- 1°
	THIRD ANGLE PROJECTION	
DRAWN BY TKW	DATE 5-17-13	CHK PBD
SCALE NONE	SHT 4 OF 5	SIZE A

2

1

THIS COPY IS PROVIDED ON A RESTRICTED BASIS AND IS NOT TO BE USED IN ANY WAY DETRIMENTAL TO THE INTERESTS OF PANDUIT CORP.



LEVELING LEGS SPACING
SOME PARTS REMOVED FOR CLARITY

REAR OF CABINET
BOTTOM VIEW

					TITLE ENTERPRISE SERVER CONFIGURED CABINET 600mm WIDE x 1070mm DEEP FAMILY CUSTOMER DRAWING							
					ITEM REVISION NAME 13V368ZC/00.PRT							
					DATASET FILE NAME 13V368ZC_DC/00A.PRT							
					UNLESS OTHERWISE SPECIFIED, DIMENSIONAL TOLERANCES ARE: INCHES +/- 0.03 METRIC - MILLIMETER ANGLE X.X +/- 0.018 X.X +/- 0.8 X.XX +/- 0.018 X.X +/- 0.46 +/- 1° X.XXX +/- 0.007 X.XX +/- 0.18							
					MATERIAL/COLOR: N/A							
					DRAWING NUMBER: 13V368ZC-DC							
OOA	5-17-13	TKW	PBD		SEE SHEET 1 OF 5 FOR REVISIONS	13V368ZC-DC	THIRD ANGLE PROJECTION					
REV	DATE	BY	CHK	APR	DESCRIPTION	ECN	DRAWN BY	DATE	CHK	SCALE	DRAWING NUMBER	SIZE
							TKW	5-17-13	PBD	NONE	SHT 5 OF 5	A



Компания «ЭлектроПласт» предлагает заключение долгосрочных отношений при поставках импортных электронных компонентов на взаимовыгодных условиях!

Наши преимущества:

- Оперативные поставки широкого спектра электронных компонентов отечественного и импортного производства напрямую от производителей и с крупнейших мировых складов;
- Поставка более 17-ти миллионов наименований электронных компонентов;
- Поставка сложных, дефицитных, либо снятых с производства позиций;
- Оперативные сроки поставки под заказ (от 5 рабочих дней);
- Экспресс доставка в любую точку России;
- Техническая поддержка проекта, помощь в подборе аналогов, поставка прототипов;
- Система менеджмента качества сертифицирована по Международному стандарту ISO 9001;
- Лицензия ФСБ на осуществление работ с использованием сведений, составляющих государственную тайну;
- Поставка специализированных компонентов (Xilinx, Altera, Analog Devices, Intersil, Interpoint, Microsemi, Aeroflex, Peregrine, Syfer, Eurofarad, Texas Instrument, Miteq, Cobham, E2V, MA-COM, Hittite, Mini-Circuits, General Dynamics и др.);

Помимо этого, одним из направлений компании «ЭлектроПласт» является направление «Источники питания». Мы предлагаем Вам помощь Конструкторского отдела:

- Подбор оптимального решения, техническое обоснование при выборе компонента;
- Подбор аналогов;
- Консультации по применению компонента;
- Поставка образцов и прототипов;
- Техническая поддержка проекта;
- Защита от снятия компонента с производства.



Как с нами связаться

Телефон: 8 (812) 309 58 32 (многоканальный)

Факс: 8 (812) 320-02-42

Электронная почта: org@eplast1.ru

Адрес: 198099, г. Санкт-Петербург, ул. Калинина, дом 2, корпус 4, литера А.