



**SERIES:** CFM-80 | **DESCRIPTION:** DC AXIAL FAN

**FEATURES**

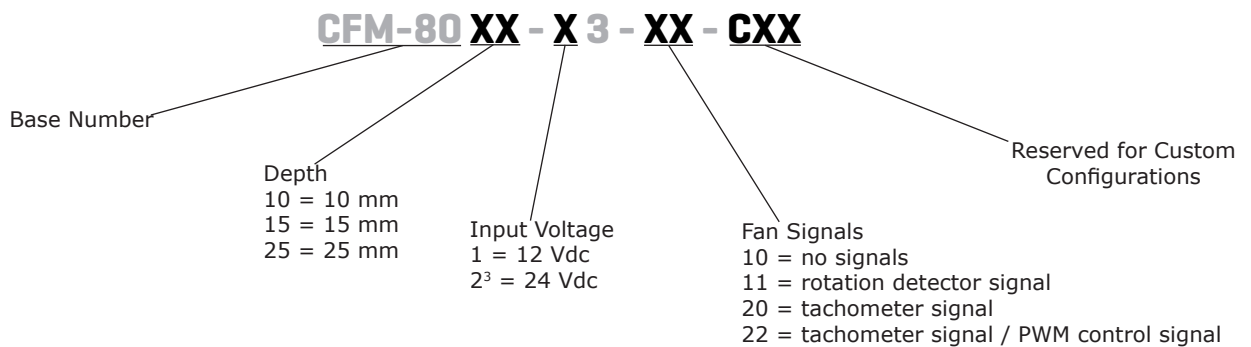
- 80 x 80 mm frame
- high fan speed for greater air flow
- dual ball bearing construction
- auto restart protection standard on all models



| MODEL        | input voltage |             | input current |         | input power | rated speed | air flow <sup>1</sup> | static pressure <sup>2</sup> | noise     |
|--------------|---------------|-------------|---------------|---------|-------------|-------------|-----------------------|------------------------------|-----------|
|              | rated (Vdc)   | range (Vdc) | typ (A)       | max (A) | max (W)     | typ (RPM)   | (CFM)                 | (inch H <sub>2</sub> O)      | max (dBA) |
| CFM-8010-13  | 12            | 6~13.8      | 0.16          | 0.24    | 2.88        | 3,300       | 33.61                 | 0.11                         | 38.2      |
| CFM-8015-13  | 12            | 6~13.8      | 0.18          | 0.24    | 2.88        | 3,500       | 43.96                 | 0.16                         | 39.8      |
| CFM-8025-13* | 12            | 6~13.8      | 0.33          | 0.43    | 5.16        | 5,100       | 69.20                 | 0.42                         | 47.0      |
| CFM-8025-23* | 24            | 16~27.6     | 0.16          | 0.25    | 4.8         | 5,100       | 69.20                 | 0.42                         | 47.0      |

Notes: 1. At 0 inch H<sub>2</sub>O static pressure.  
 2. At 0 CFM airflow.  
 \*. Discontinued CFM-8025-13-11, CFM-8025-13-22, CFM-8025-23-11, CFM-8025-23-20, and CFM-8025-23-22 models.

**PART NUMBER KEY**



Notes: 3. 24 Vdc input voltage option only available with 25 mm depth

**INPUT**

| parameter               | conditions/description | min | typ  | max  | units |
|-------------------------|------------------------|-----|------|------|-------|
| operating input voltage | 12 Vdc input models    | 6   | 12   | 13.8 | Vdc   |
|                         | 24 Vdc input models    | 16  | 24   | 27.6 | Vdc   |
| current                 | CFM-8010 models        |     | 0.16 | 0.24 | A     |
|                         | CFM-8015 models        |     | 0.18 | 0.24 | A     |
|                         | CFM-8025 models        |     | 0.33 | 0.43 | A     |
|                         | CFM-8025 models        |     | 0.16 | 0.25 | A     |
| power                   | CFM-8010 models        |     | 1.92 | 2.88 | W     |
|                         | CFM-8015 models        |     | 2.16 | 2.88 | W     |
|                         | CFM-8025 models        |     | 3.96 | 5.16 | W     |
|                         | CFM-8025 models        |     | 3.84 | 4.8  | W     |
| starting voltage        | at 25°C                |     |      |      |       |
|                         | 12 Vdc input models    |     | 6    |      | Vdc   |
|                         | 24 Vdc input models    |     | 16   |      | Vdc   |

**PERFORMANCE**

| parameter       | conditions/description                             | min   | typ   | max   | units                 |
|-----------------|--|-------|-------|-------|-----------------------|
| rated speed     | at 25°C, after 10 minutes                          |       |       |       |                       |
|                 | CFM-8010 models                                    | 2,970 | 3,300 | 3,630 | RPM                   |
|                 | CFM-8015 models                                    | 3,150 | 3,500 | 3,850 | RPM                   |
|                 | CFM-8025 models                                    | 4,590 | 5,100 | 5,610 | RPM                   |
| air flow        | at 0 inch H <sub>2</sub> O, see performance curves |       |       |       |                       |
|                 | CFM-8010 models                                    |       | 33.61 |       | CFM                   |
|                 | CFM-8015 models                                    |       | 43.96 |       | CFM                   |
|                 | CFM-8025 models                                    |       | 69.20 |       | CFM                   |
| static pressure | at 0 CFM, see performance curves                   |       |       |       |                       |
|                 | CFM-8010 models                                    |       | 0.11  |       | inch H <sub>2</sub> O |
|                 | CFM-8015 models                                    |       | 0.16  |       | inch H <sub>2</sub> O |
|                 | CFM-8025 models                                    |       | 0.42  |       | inch H <sub>2</sub> O |
| noise           | at 1 m   |       |       |       |                       |
|                 | CFM-8010 models                                    |       | 36.0  | 38.2  | dBA                   |
|                 | CFM-8015 models                                    |       | 38.0  | 39.8  | dBA                   |
|                 | CFM-8025 models                                    |       | 45.5  | 47.0  | dBA                   |

**PROTECTIONS / SIGNALS<sup>1</sup>**

| parameter               | conditions/description            | min | typ | max | units |
|-------------------------|-----------------------------------|-----|-----|-----|-------|
| auto restart protection | available on all models           |     |     |     |       |
| rotation detector       | available on "11" models          |     |     |     |       |
| tachometer signal       | available on "20" and "22" models |     |     |     |       |
| PWM control signal      | available on "22" models          |     |     |     |       |

Notes: 1. See application notes for details.

**SAFETY & COMPLIANCE**

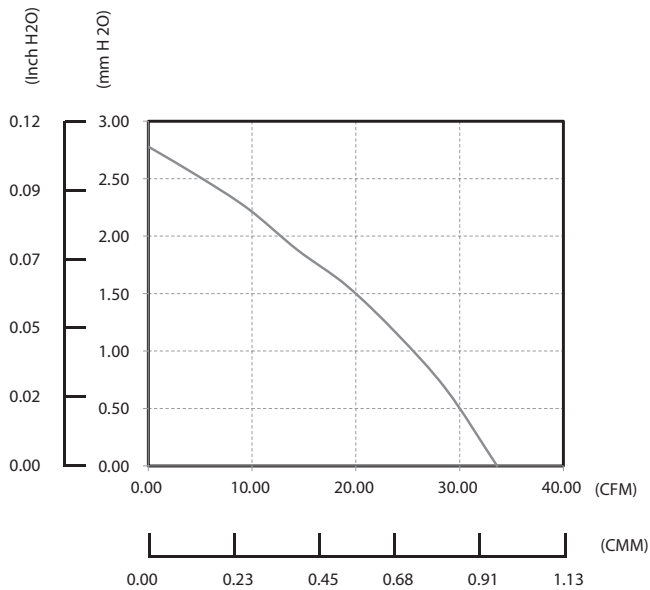
| parameter                      | conditions/description   | min | typ    | max | units |
|--------------------------------|--|-----|--------|-----|-------|
| insulation resistance of frame | at 500 Vdc between frame and positive terminal                                     | 10  |        |     | MΩ    |
| dielectric strength            | at 500 Vac, 60 Hz, 1 minute between frame and positive terminal                    |     |        | 5   | mA    |
| safety approvals               | UL/cUL 507, TUV (EN 62368-1)   |     |        |     |       |
| EMI/EMC                        | EN 55022:2010+AC:2011 Class B, EN 61000-3-2:2014, EN 61000-3-3:2013, EN 55024:2010 |     |        |     |       |
| life expectancy                | at 45°C, 15~65% RH   |     | 70,000 |     | hours |
| RoHS                           | yes  |     |        |     |       |

## ENVIRONMENTAL

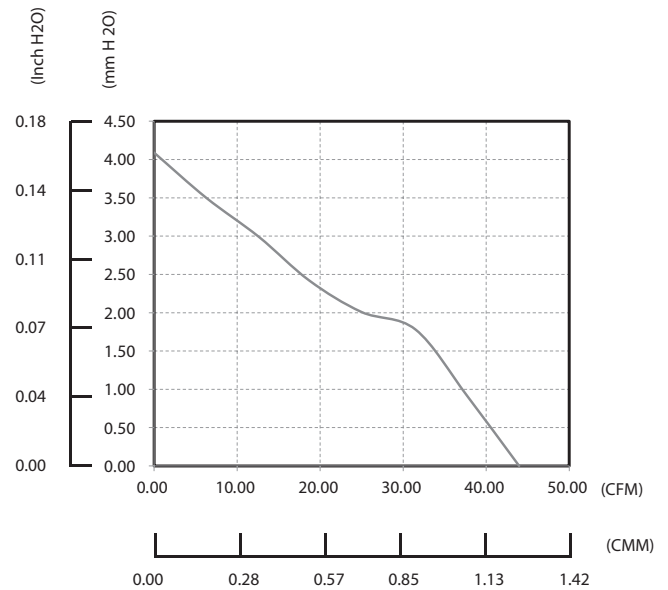
| parameter             | conditions/description | min | typ | max | units |
|-----------------------|------------------------|-----|-----|-----|-------|
| operating temperature |                        | -10 |     | 70  | °C    |
| storage temperature   |                        | -40 |     | 70  | °C    |
| operating humidity    | non-condensing         | 5   |     | 90  | %     |
| storage humidity      | non-condensing         | 5   |     | 95  | %     |

## PERFORMANCE CURVES

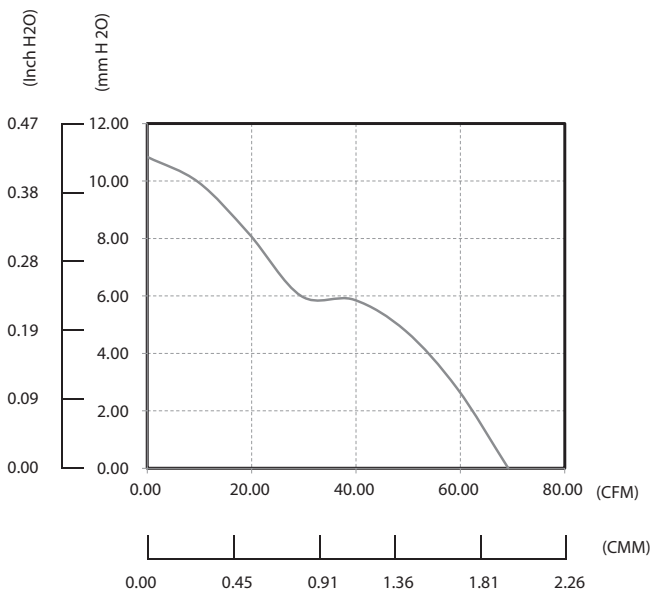
### CFM-8010



### CFM-8015



### CFM-8025



## MECHANICAL

| parameter             | conditions/description  | min | typ                          | max | units            |
|-----------------------|---|-----|------------------------------|-----|------------------|
| motor                 | 4 pole DC brushless   |     |                              |     |                  |
| bearing system        | ball bearing  |     |                              |     |                  |
| direction of rotation | counter-clockwise viewed from front of fan blade  |     |                              |     |                  |
| dimensions            | CFM-8010 models: 80 x 80 x 10.6<br>CFM-8015 models: 80 x 80 x 15.4<br>CFM-8025 models: 80 x 80 x 25.4 |     |                              |     | mm<br>mm<br>mm   |
| material              | PBT (UL94V-0)   |     |                              |     |                  |
| weight                | CFM-8010-13 models<br>CFM-8015-13 models<br>CFM-8025-13 models<br>CFM-8025-23 models                  |     | 42.6<br>59.2<br>87.7<br>91.6 |     | g<br>g<br>g<br>g |

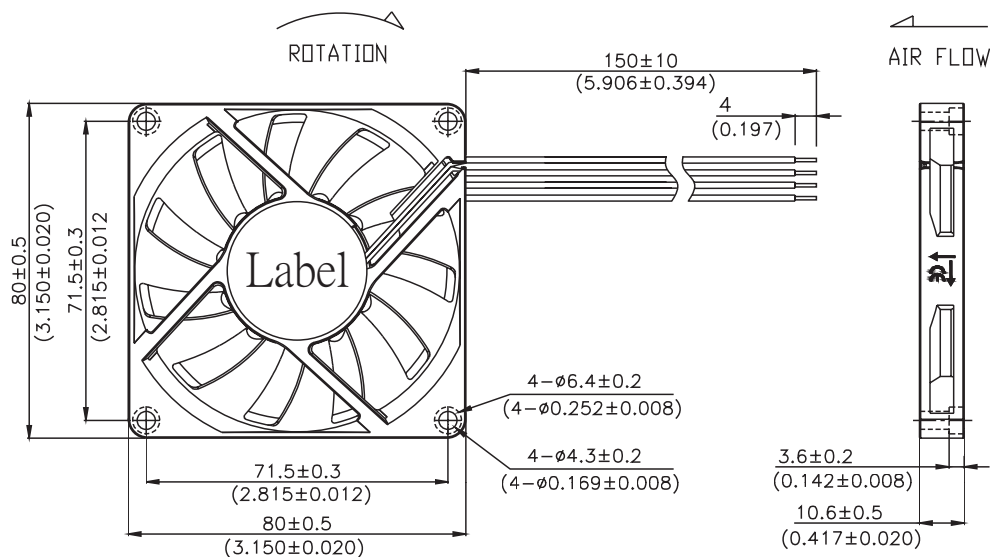
## MECHANICAL DRAWING

units: mm [inch]

### CFM-8010

wire: UL 1061, 26 AWG

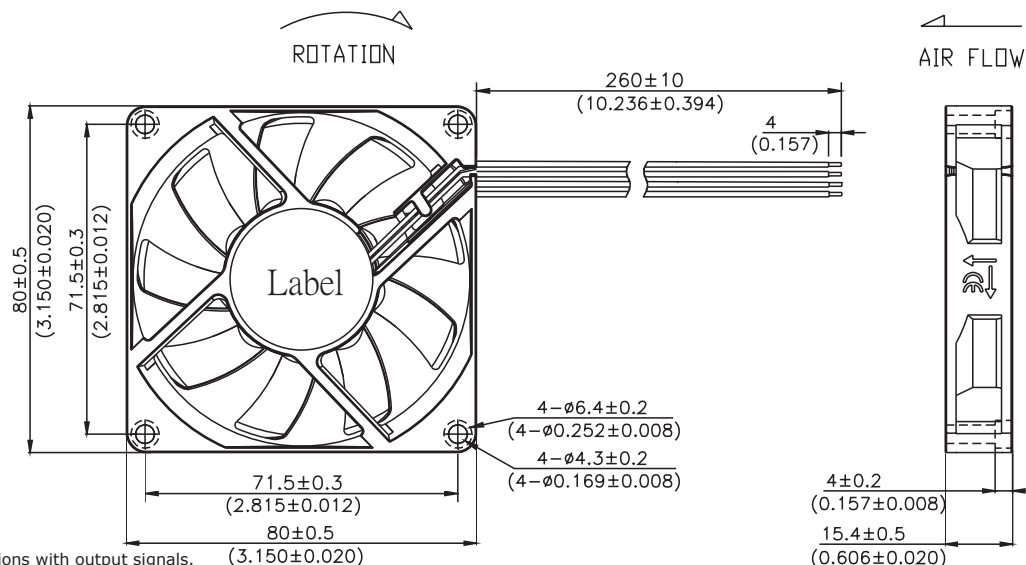
| WIRE CONNECTIONS    |           |
|---------------------|-----------|
| Wire Color          | Function  |
| Red                 | +Vin      |
| Black               | -Vin      |
| Yellow <sup>1</sup> | FG Signal |
| White <sup>1</sup>  | RD Signal |
| Blue <sup>1</sup>   | PWM       |



### CFM-8015

wire: UL 1061, 26 AWG

| WIRE CONNECTIONS    |           |
|---------------------|-----------|
| Wire Color          | Function  |
| Red                 | +Vin      |
| Black               | -Vin      |
| Yellow <sup>1</sup> | FG Signal |
| White <sup>1</sup>  | RD Signal |
| Blue <sup>1</sup>   | PWM       |



Note: 1. Wires only present on versions with output signals. (3.150 ± 0.020)

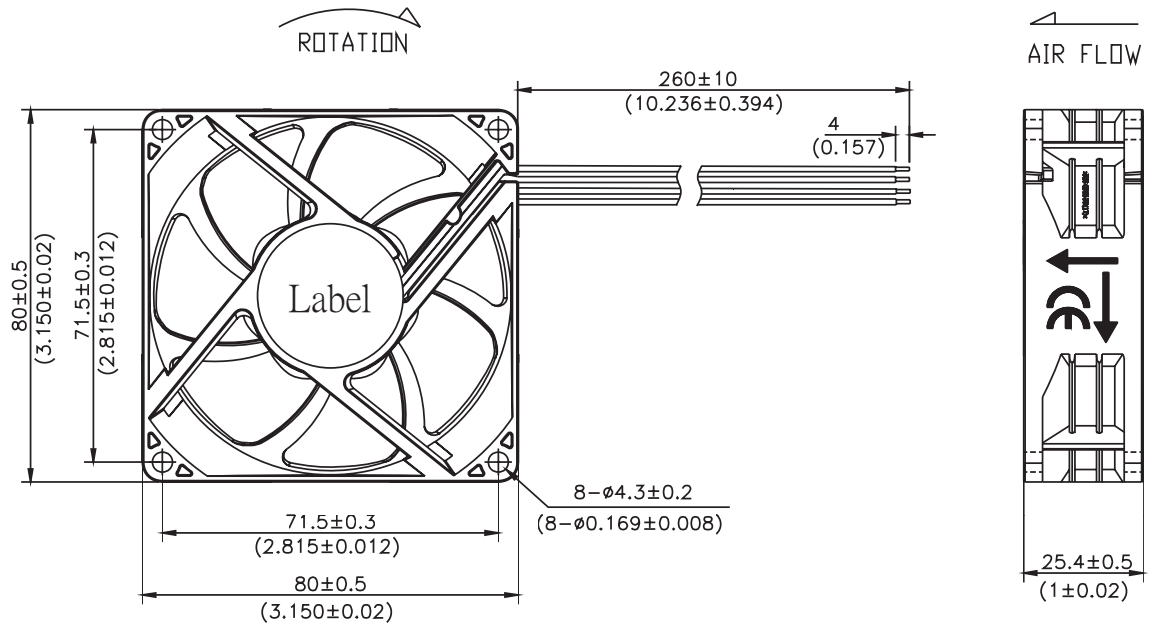
## MECHANICAL DRAWING (CONTINUED)

units: mm [inch]

### CFM-8025

wire: UL 1007, 24 AWG

| WIRE CONNECTIONS    |           |
|---------------------|-----------|
| Wire Color          | Function  |
| Red                 | +Vin      |
| Black               | -Vin      |
| Yellow <sup>1</sup> | FG Signal |
| White <sup>1</sup>  | RD Signal |
| Blue <sup>1</sup>   | PWM       |

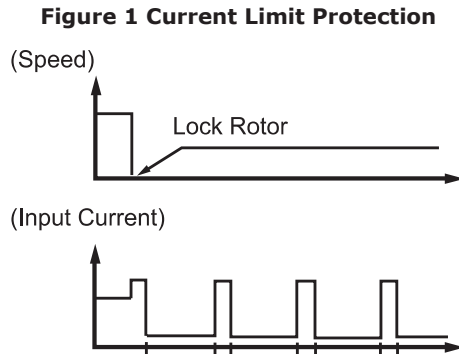


Note: 1. Wires only present on versions with output signals.

## APPLICATION NOTES

### Auto Restart Protection/Current Limit Protection

When the fan motor is locked, the device will cut off the drive current within two to six seconds and restart automatically after a few seconds. If the lock situation is continued, the device will work on a repeated cycle of cut-off and restart until the lock is released. (See Figure 1 below).



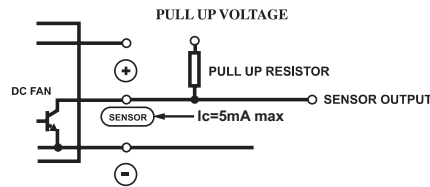
### Lock Sensor/Rotation Detector

Lock Sensor is used to detect if the fan motor is operating or stopped. Alarm High: the output will be logical low when fan is operating and be logical high when fan motor is locked. (See Figures 2~3 below).

**Figure 2 Alarm High Output Waveform**



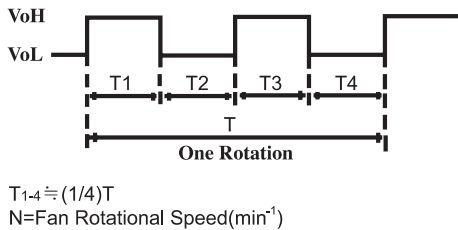
**Figure 3 RD Signal Output Circuit: Open Collector**



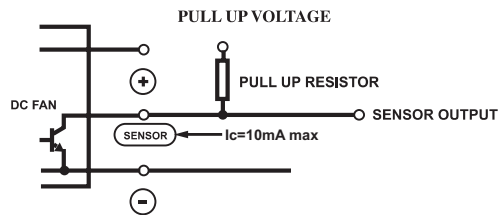
### Pulse Sensor/Tachometer Signal/FG

Pulse Sensor is for detecting the rotational speed of the fan motor. At locked rotor condition, the signal stops cycling and the output is fixed at VoH or VoL (See Figures 4~5 below).

**Figure 4 Output Waveform**



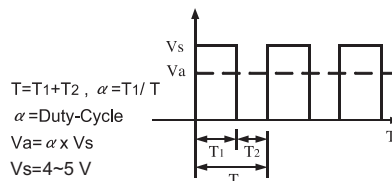
**Figure 5 FG Signal Output Circuit: Open Collector**



### PMW Control Signal

A speed control lead can be provided that will accept a PWM signal from the customer circuit to vary the speed of the fan. The change in speed is linear by changing the Duty-Cycle of the PWM. Open collector type and pull-up voltage is changed by maximum operating voltage and sink current by consuming current. (See Figure 6 below).

**Figure 6 Duty Cycle**



## REVISION HISTORY

| rev. | description  | date       |
|------|--|------------|
| 1.0  | initial release  | 08/15/2016 |
| 1.01 | updated datasheet  | 07/27/2017 |
| 1.02 | discontinued model CFM-8025-13-22  | 11/10/2017 |
| 1.03 | discontinued CFM-8025-13-11, CFM-8025-23-11, CFM-8025-23-20, and CFM-8025-23-22 models | 01/29/2018 |
| 1.04 | updated to be certified to EN 62368-1 safety standard                                  | 07/09/2019 |

The revision history provided is for informational purposes only and is believed to be accurate.



**CUI INC**<sup>®</sup>

**Headquarters**  
20050 SW 112th Ave.  
Tualatin, OR 97062  
**800.275.4899**

Fax 503.612.2383  
**cui.com**  
techsupport@cui.com

CUI offers a one (1) year limited warranty. Complete warranty information is listed on our website.

CUI reserves the right to make changes to the product at any time without notice. Information provided by CUI is believed to be accurate and reliable. However, no responsibility is assumed by CUI for its use, nor for any infringements of patents or other rights of third parties which may result from its use.

CUI products are not authorized or warranted for use as critical components in equipment that requires an extremely high level of reliability. A critical component is any component of a life support device or system whose failure to perform can be reasonably expected to cause the failure of the life support device or system, or to affect its safety or effectiveness.



Компания «ЭлектроПласт» предлагает заключение долгосрочных отношений при поставках импортных электронных компонентов на взаимовыгодных условиях!

Наши преимущества:

- Оперативные поставки широкого спектра электронных компонентов отечественного и импортного производства напрямую от производителей и с крупнейших мировых складов;
- Поставка более 17-ти миллионов наименований электронных компонентов;
- Поставка сложных, дефицитных, либо снятых с производства позиций;
- Оперативные сроки поставки под заказ (от 5 рабочих дней);
- Экспресс доставка в любую точку России;
- Техническая поддержка проекта, помощь в подборе аналогов, поставка прототипов;
- Система менеджмента качества сертифицирована по Международному стандарту ISO 9001;
- Лицензия ФСБ на осуществление работ с использованием сведений, составляющих государственную тайну;
- Поставка специализированных компонентов (Xilinx, Altera, Analog Devices, Intersil, Interpoint, Microsemi, Aeroflex, Peregrine, Syfer, Eurofarad, Texas Instrument, Miteq, Cobham, E2V, MA-COM, Hittite, Mini-Circuits, General Dynamics и др.);

Помимо этого, одним из направлений компании «ЭлектроПласт» является направление «Источники питания». Мы предлагаем Вам помощь Конструкторского отдела:

- Подбор оптимального решения, техническое обоснование при выборе компонента;
- Подбор аналогов;
- Консультации по применению компонента;
- Поставка образцов и прототипов;
- Техническая поддержка проекта;
- Защита от снятия компонента с производства.



#### Как с нами связаться

**Телефон:** 8 (812) 309 58 32 (многоканальный)

**Факс:** 8 (812) 320-02-42

**Электронная почта:** [org@eplast1.ru](mailto:org@eplast1.ru)

**Адрес:** 198099, г. Санкт-Петербург, ул. Калинина, дом 2, корпус 4, литера А.