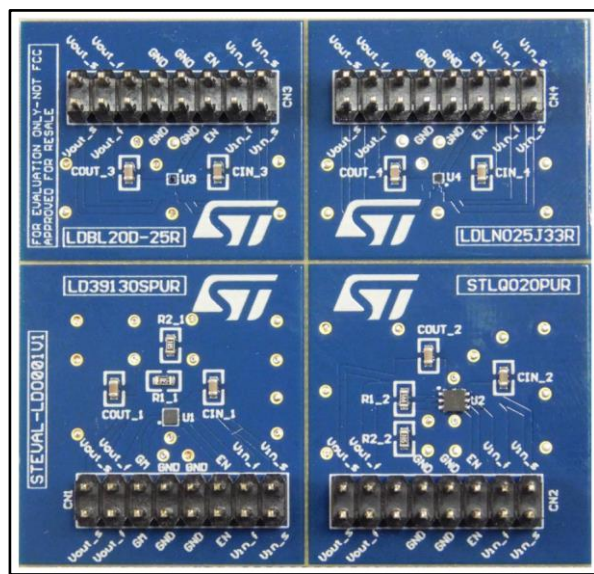


Quad high performance LDO evaluation board based on LDBL20, LDLN025, LD39130S and STLQ020

Data brief



Features

- Multi LDO evaluation board based on four high performance low dropout linear voltage regulators in miniature packages
- Key features:
 - Low operating input voltage (from 1.4 V to 5.5 V)
 - Current capability from 200 mA to 300 mA
 - Low dropout (down to 160 mV typ.)
 - Ultra-low quiescent current (down to 500 nA typ.)
 - Low noise (down to 6.5 μ VRMS typ.)
 - High PSSR (up to 80 dB)
 - Logic controlled electronic shutdown (enable)
 - Tiny packages (DFN-6L, Flip-chip, ST STAMP™)
- RoHS compliant

Applications

- Wearable devices
- IoT
- Battery operated devices
- Smart phones
- Smart watches
- Fit bands
- Smart textile
- Wireless sensor networks

Description

The STEVAL-LDO001V1 board features the following high performance low dropout linear voltage regulators in miniature packages:

- LDBL20 200 mA high PSSR low quiescent current in ST STAMP™ bumpless chip-scale package
- LDLN025 250 mA low noise, low quiescent current in Flip-Chip4
- LD39130S 300 mA ultra-low quiescent current in DFN6L
- STLQ020 200 mA very-low quiescent current in DFN6L

Using the quad LDO board with state-of-the-art very low dropout voltage regulators, you can easily evaluate performance levels in a single set-up to choose the best design solution.

The four miniaturized LDOs are designed for extend battery life in portable smart devices.

1 Key parameters

Summary table with key parameters:

Table 1: Table with key parameters

Part Number	Vout version	Vout	Iout	Package	Key features
LDBL20D-25R	Fixed	2.5	200	STSTAMP™ 0.47 x 0.47 mm ²	Tiny Package; High PSRR (80 dB @ 1 kHz, 50 db @ 100 kHz typ)
LDLN025J33R	Fixed	3.3	250	Flip-Chip4	Low Noise 6.5 μVRMS typ High PSRR 80 dB @ 1 kHz typ
LD39130SPUR	Adjustable	3.3	300	DFN6L 1.2 x 1.3 mm	Very low quiescent current: 1 μA in automatic green mode; Output voltage tolerance: ± 1.0 % at 25 °C
STLQ020PUR	Adjustable	3.3	200	DFN6L 2 x 2 mm	Ultra-low quiescent current: 400 nA at no load

Key product features:

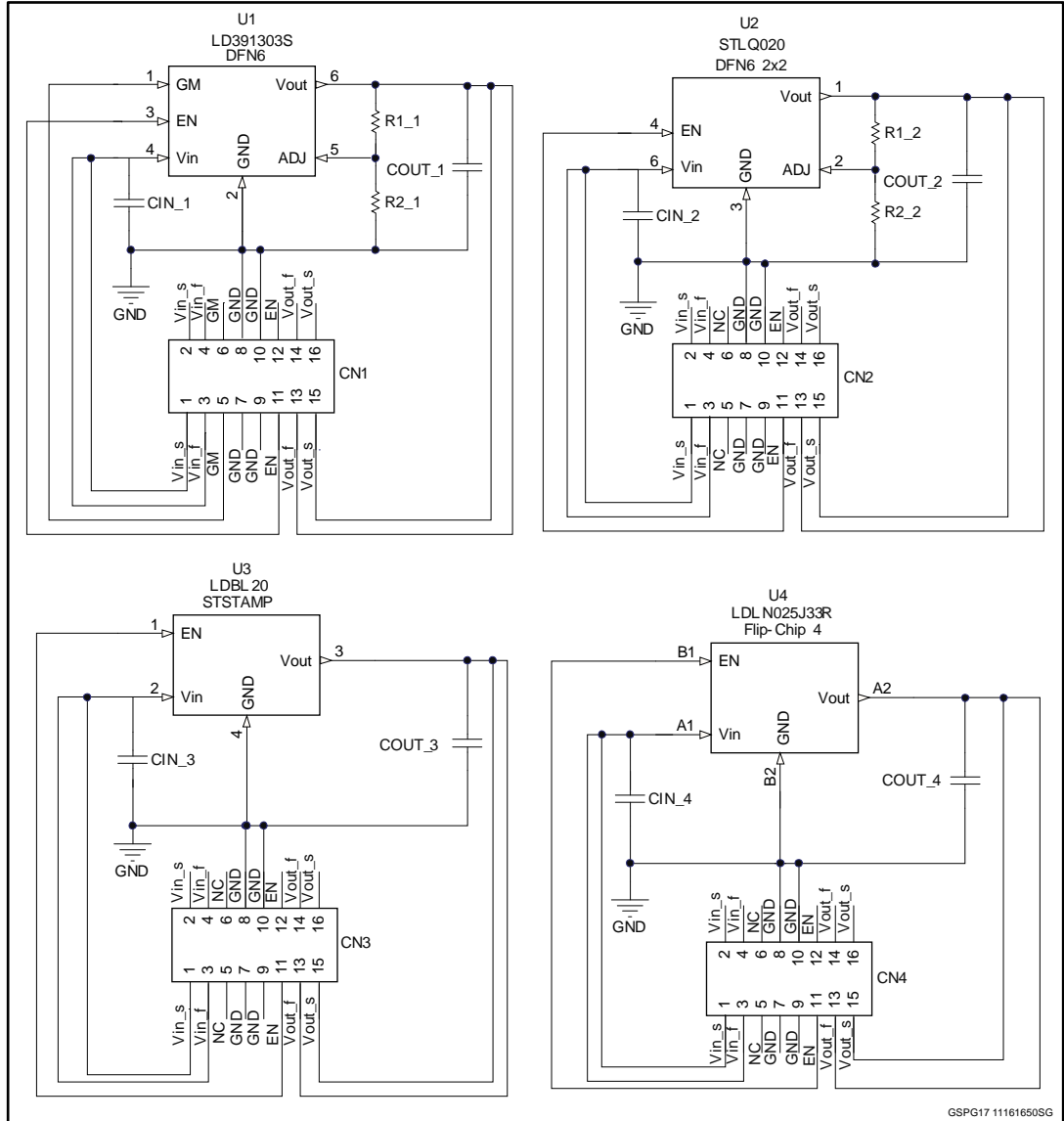
- LDBL20
 - Input voltage from 1.5 to 5.5 V
 - Ultra-low dropout voltage (200 mV typ. at 200 mA load)
 - Very low quiescent current: 20 μA typ. at no-load, 0.03 μA typ. in off mode
 - Output voltage tolerance: ±1.5 % @ 25 °C
 - 200 mA guaranteed output current
 - High PSRR (80 dB @ 1 kHz, 50 db @ 100 kHz)
 - Wide range of output voltages available on request: from 0.8 V up to 5.0 V in 50 mV step
 - Logic-controlled electronic shutdown
 - Internal soft-start
 - Optional output voltage discharge feature
 - Compatible with ceramic capacitor (COUT = 0.47 μF)
 - Internal constant current and thermal protections
 - Available in STSTAMP™ (0.47 x 0.47 mm²) package
 - Operating temperature range: -40 °C to 125 °C
- LDLN025
 - Ultra-low output noise: 6.5 μVrms
 - Operating input voltage range: 1.5 V to 5.5 V
 - Output current up to 250 mA
 - Very low quiescent current: 12 μA at no-load
 - Controlled Iq in dropout condition
 - Very low-dropout voltage: 250 mV at 250 mA
 - Very high PSRR: 80 dB @ 100 Hz, 60 dB @ 100 kHz
 - Output voltage accuracy: 2% across line, load and temperature
 - Output voltage versions: from 1 V to 5 V, with 50 mV step
 - Logic-controlled electronic shutdown
 - Output discharge feature
 - Internal soft-start
 - Overcurrent and thermal protections
 - Temperature range: from -40 °C to +125 °C

- LD39130S
 - Input voltage from 1.4 V to 5.5 V
 - Ultra-low dropout voltage (300 mV typ. at 300 mA load)
 - Automatic green mode
 - Very low quiescent current: 1 μ A in green mode, 45 μ A in normal mode and 0.1 μ A typ. in off mode
 - Output voltage tolerance: ± 1.0 % at 25 $^{\circ}$ C
 - 300 mA guaranteed output current
 - Wide range of output voltages available on request: adjustable from 0.8 V, fixed up to 4.0 V in 100 mV step
 - Logic-controlled electronic shutdown
 - Internal soft-start
 - Compatible with ceramic capacitor (COUT = 330 nF)
 - Internal current foldback and thermal protections
 - Available in DFN6L 1.2 x 1.3 mm and Flip-chip 4 bumps 0.69 x 0.69 mm. 0.4 pitch
 - Operating temperature range: -40 $^{\circ}$ C to 125 $^{\circ}$ C

- STLQ020 (under development)
 - Operating input voltage range: 2 V to 5.5 V
 - Output current up to 200 mA
 - Ultra-low quiescent current: 400 nA at no load; 100 μ A at 200 mA load
 - Controlled Iq in dropout condition
 - Very low dropout voltage: 160 mV at 200 mA
 - Output voltage accuracy: 2% at room temp.; 3% in full temp. range
 - Output voltage versions: from 0.8 V to 4.5 V, with 50 mV step and adjustable
 - Logic-controlled electronic shutdown
 - Output discharge feature (optional)
 - Internal overcurrent and thermal protections
 - Temperature range: from -40 $^{\circ}$ C to +125 $^{\circ}$ C
 - Packages: DFN6 - 2 x 2 mm, SOT323-5L, Flipchip4 0.8 x 0.8 mm, STSTAMP™

2 Schematic diagram

Figure 1: STEVAL-LDO001V1 circuit schematic



3 Pin and connector configuration

Table 2: Connector_1 pinout (CN1)

U1 Pin	4_Vin	4_Vin	1_GM	2_GND	2_GND	3_EN	6_Vout	6_Vout
CN1 upper strip	2_Vin_s	4_Vin_f	6_GM	8_GND	10_GND	12_EN	14_Vout_f	16_Vout_s
CN1 down strip	1_Vin_s	3_Vin_f	5_GM	7_GND	9_GND	11_EN	13_Vout_f	15_Vout_s

Table 3: Connector_2 pinout (CN2)

U2 Pin	6_Vin	6_Vin		3_GND	3_GND	4_EN	1_Vout	1_Vout
CN2 upper strip	2_Vin_s	4_Vin_f	6_NC	8_GND	10_GND	12_EN	14_Vout_f	16_Vout_s
CN2 down strip	1_Vin_s	3_Vin_f	5_NC	7_GND	9_GND	11_EN	13_Vout_f	15_Vout_s

Table 4: Connector_3 pinout (CN3)

U3 Pin	2_Vin	2_Vin		4_GND	4_GND	1_EN	3_Vout	3_Vout
CN3 upper strip	2_Vin_s	4_Vin_f	6_NC	8_GND	10_GND	12_EN	14_Vout_f	16_Vout_s
CN3 down strip	1_Vin_s	3_Vin_f	5_NC	7_GND	9_GND	11_EN	13_Vout_f	15_Vout_s

Table 5: Connector_4 pinout (CN4)

U4 Pin	A1_Vin	A1_Vin		B2_GND	B2_GND	B1_EN	A2_Vout	A2_Vout
CN4 upper strip	2_Vin_s	4_Vin_f	6_NC	8_GND	10_GND	12_EN	14_Vout_f	16_Vout_s
CN4 down strip	1_Vin_s	3_Vin_f	5_NC	7_GND	9_GND	11_EN	13_Vout_f	15_Vout_s

4 Revision history

Table 6: Document revision history

Date	Version	Changes
01-Mar-2017	1	Initial release.

IMPORTANT NOTICE – PLEASE READ CAREFULLY

STMicroelectronics NV and its subsidiaries ("ST") reserve the right to make changes, corrections, enhancements, modifications, and improvements to ST products and/or to this document at any time without notice. Purchasers should obtain the latest relevant information on ST products before placing orders. ST products are sold pursuant to ST's terms and conditions of sale in place at the time of order acknowledgement.

Purchasers are solely responsible for the choice, selection, and use of ST products and ST assumes no liability for application assistance or the design of Purchasers' products.

No license, express or implied, to any intellectual property right is granted by ST herein.

Resale of ST products with provisions different from the information set forth herein shall void any warranty granted by ST for such product.

ST and the ST logo are trademarks of ST. All other product or service names are the property of their respective owners.

Information in this document supersedes and replaces information previously supplied in any prior versions of this document.

© 2017 STMicroelectronics – All rights reserved



Компания «ЭлектроПласт» предлагает заключение долгосрочных отношений при поставках импортных электронных компонентов на взаимовыгодных условиях!

Наши преимущества:

- Оперативные поставки широкого спектра электронных компонентов отечественного и импортного производства напрямую от производителей и с крупнейших мировых складов;
- Поставка более 17-ти миллионов наименований электронных компонентов;
- Поставка сложных, дефицитных, либо снятых с производства позиций;
- Оперативные сроки поставки под заказ (от 5 рабочих дней);
- Экспресс доставка в любую точку России;
- Техническая поддержка проекта, помощь в подборе аналогов, поставка прототипов;
- Система менеджмента качества сертифицирована по Международному стандарту ISO 9001;
- Лицензия ФСБ на осуществление работ с использованием сведений, составляющих государственную тайну;
- Поставка специализированных компонентов (Xilinx, Altera, Analog Devices, Intersil, Interpoint, Microsemi, Aeroflex, Peregrine, Syfer, Eurofarad, Texas Instrument, Miteq, Cobham, E2V, MA-COM, Hittite, Mini-Circuits, General Dynamics и др.);

Помимо этого, одним из направлений компании «ЭлектроПласт» является направление «Источники питания». Мы предлагаем Вам помощь Конструкторского отдела:

- Подбор оптимального решения, техническое обоснование при выборе компонента;
- Подбор аналогов;
- Консультации по применению компонента;
- Поставка образцов и прототипов;
- Техническая поддержка проекта;
- Защита от снятия компонента с производства.



Как с нами связаться

Телефон: 8 (812) 309 58 32 (многоканальный)

Факс: 8 (812) 320-02-42

Электронная почта: org@eplast1.ru

Адрес: 198099, г. Санкт-Петербург, ул. Калинина, дом 2, корпус 4, литера А.