



# **KSZ8851SNL**

**32-pin Single-Port Ethernet Controller  
With Serial Peripheral Interface (SPI)**

## **Evaluation Board User's Guide**

**Revision 1.1  
April 2010**

© Micrel, Inc. 2007  
All rights reserved

Micrel is a registered trademark of Micrel and its subsidiaries in the United States and certain other countries. All other trademarks are the property of their respective owners.

---

The information furnished by Micrel in this datasheet is believed to be accurate and reliable. However, no responsibility is assumed by Micrel for its use. Micrel reserves the right to change circuitry and specifications at any time without notification to the customer. Micrel Products are not designed or authorized for use as components in life support appliances, devices or systems where malfunction of a product can reasonably be expected to result in personal injury. Life support devices or systems are devices or systems that (a) are intended for surgical implant into the body or (b) support or sustain life, and whose failure to perform can be reasonably expected to result in a significant injury to the user.

---

Micrel, Inc. ♦ 2180 Fortune Drive ♦ San Jose, CA 95131 ♦ U.S.A.  
408-944-0800 (voice) ♦ 408-474-1000 (fax)  
<http://www.Micrel.com>

A Purchaser's use or sale of Micrel Products for use in life support appliances, devices or systems is at Purchaser's own risk and Purchaser agrees to fully indemnify Micrel for any damages resulting from such use or sale.

## Revision History

| Revision | Date      | Summary of Changes   |
|----------|-----------|--|
| 1.0      | 3/03/2008 | Initial Release  |
| 1.1      | 4/21/10   | Removed JP3 for EESK strapping option.<br>Add JP3 for connection between VDD_IO and 1.8V (if VDD_IO is 1.8V).<br>Changed the LED pulled up to 3.3V.<br>Add 4.7K pull up on SO pin. |

---

## Table of Contents

|            |  |           |
|------------|--|-----------|
| <b>1.0</b> | <b>Introduction .....</b>                    | <b>5</b>  |
| <b>2.0</b> | <b>Board Features.....</b>                   | <b>5</b>  |
| <b>3.0</b> | <b>Evaluation Kit Contents.....</b>          | <b>5</b>  |
| <b>4.0</b> | <b>Hardware Description .....</b>            | <b>6</b>  |
| 4.1        | Host SPI Interface .....                     | 7         |
| 4.2        | Jumper Setting & Definition .....            | 8         |
| 4.3        | Power Supply and Test Point Definition ..... | 9         |
| 4.4        | RJ-45 Connector and Transformer .....        | 9         |
| 4.5        | EEPROM and LED Indicators .....              | 9         |
| 4.6        | Board Reset.....                             | 10        |
| <b>5.0</b> | <b>Bill of Materials.....</b>                | <b>11</b> |

## List of Figures

Figure 1. KSZ8851SNL Evaluation Board..... 6  
Figure 2. SPI Interface to KSZ8851SNL ..... 7  
Figure 3. KSZ8851SNL-Eval Host SPI Interface Connection with Spirent SmartBits..... 7

## List of Tables

Table 1. Header JP1 – Host Connection for SPI Interface..... 8  
Table 2. Header JP1 – Host Connection for Control and Power..... 8  
Table 3. KSZ8851SNL-Eval Jumper Definition ..... 8  
Table 4. KSZ8851SNL-Eval Test Point Definition ..... 9  
Table 5. KSZ8851SNL EEPROM Format ..... 9  
Table 6. KSZ8851SNL-Eval Port Status LED Definition ..... 10  
Table 7. KSZ8851SNL-Eval LED Definition ..... 10

## 1.0 Introduction

The KSZ8851SNL-Eval Evaluation Board is intended to provide a convenient and fast way to evaluate or demonstrate the functionality and performance of this new Single-Port Ethernet Controller KSZ8851SNL device from Micrel.

The KSZ8851SNL comes with a 32-pin, lead-free QFN (5mm x 5mm) package and provides an ideal solution for applications requiring Serial Peripheral Interface (SPI) between single-port Ethernet Controller and Host microcontroller.

This evaluation board is designed as a stand alone without microcontroller on board. By default the KSZ8851SNL-Eval board comes with an operation of no EEPROM for KSZ8851SNL device. Customer can directly wire the board for SPI interface. The purpose is to provide a simple tool that can be used to evaluate the KSZ8851SNL device by connecting via headers to customer provided Microcontroller or Non-PCI hardware platform.

Micrel provides a basic software driver based on SPI Interface solution and different operating system platforms to evaluate the KSZ8851SNL functionality and performance. The software includes a configuration utility to allow quick and easy device setup, initialization and transmit/receive packet. All KSZ8851SNL configuration pins, control signals and SPI interface are accessible either by jumpers, test points or headers.

## 2.0 Board Features

- One KSZ8851SNL 32-pin Single-Port Ethernet Controller with SPI for host interface
- Single +5V/GND power input from headers
- RJ-45 Jack for Fast Ethernet cable interface
- HP Auto-MDIX for automatic detection and correction for straight-through and crossover cables
- Two on board LDO voltage regulators, one for VDD\_IO and the other for 3.3VA
- One AT93C46 for external EEPROM interface
- Two LED indicators for port status and activity
- One LED indicator for 3.3V output ready
- One LED indicator for Power Management Event (PME) output status
- Jumpers to configure strapping pin and VDD\_IO voltage option
- Headers to wire the SPI interface from external hardware platform
- Manual reset button for quick reboot device after re-configuration of strapping pin

## 3.0 Evaluation Kit Contents

The KSZ8851SNL Evaluation Kit includes the following hardware:

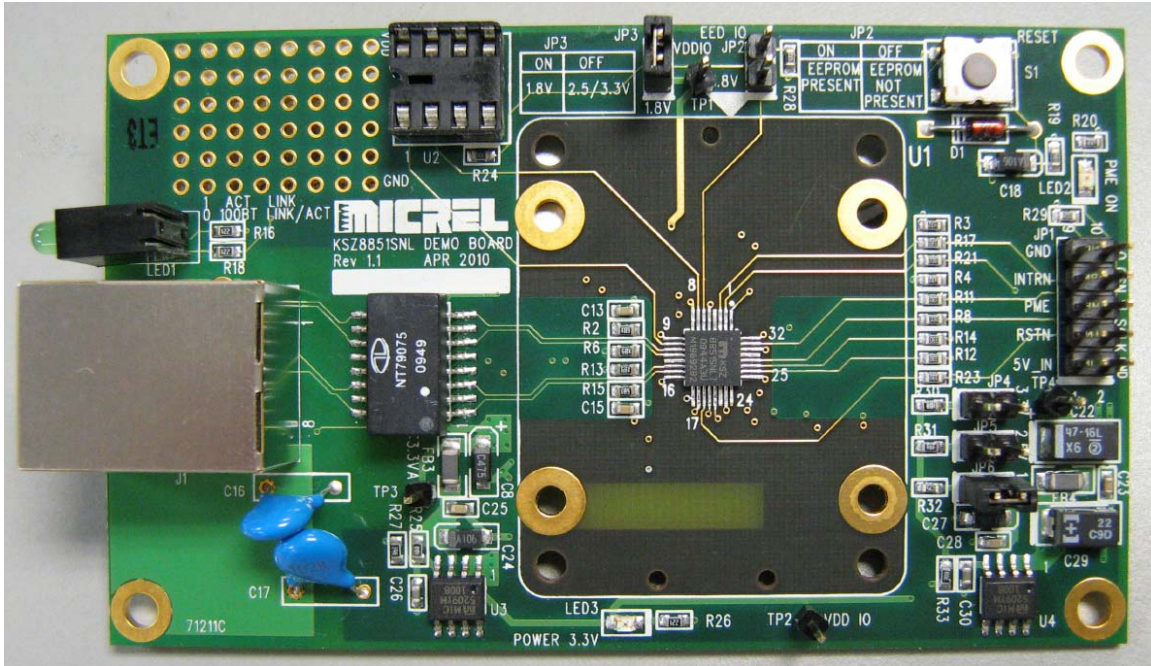
- KSZ8851SNL Evaluation Board

The KSZ8851SNL Data Sheet and Hardware Design Package with the following collaterals that can be downloaded from Micrel's website at <http://www.micrel.com>

- KSZ8851SNL Eval Board Schematic (PDF and OrCAD DSN file)
- KSZ8851SNL Eval Board Gerber File (PDF version included)
- KSZ8851SNL Eval Board User's Guide (this document and included BOM)
- KSZ8851SNL IBIS Model

## 4.0 Hardware Description

The KSZ8851SNL-Eval (shown in Figure 1) comes in a compact form factor and plugs directly into industry standard test equipment such as Spirent SmartBits, the other side of board is wired to external host SPI interface through headers. Configuration of the KSZ8851SNL is accomplished through on-board jumper selections and/or by register access via the host SPI Interface.



**Figure 1. KSZ8851SNL Evaluation Board**

Other features include a RJ-45 Jack for Fast Ethernet cable connection, transformer (Pulse H1102) to block DC level and provide a true AC coupling, EEPROM (Atmel AT93C46) to load MAC address when it is enabled, jumper to select LDO output for VDD\_IO voltage, programmable LED indicators for reporting port link status and activity, and a manual reset button for quick reboot after re-configuration of strapping pins.

The KSZ8851SNL-Eval receives +5V DC input power supply from its Headers JP1.

### 4.1 Host SPI Interface

The KSZ8851SNL supports a SPI interface in slave mode. In this mode, a external SPI master device (micro-controller or CPU) supplies the operating serial clock (SCLK), chip select (CSN) and serial input data (SI) which is clocked in on the rising edge of SCLK to KSZ8851SNL device. Serial output data (SO) is driven out by the KSZ8851SNL on the rising edge of SCLK to external SPI master device. The falling edge of CSN is starting the SPI operation and the rising edge of CSN is ending the SPI operation. The SCLK stays low state when SPI operation is idle. Figure 6 shows the SPI interface connection for KSZ8851SNL.

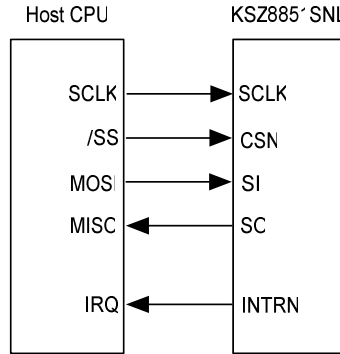


Figure 2. SPI Interface to KSZ8851SNL

The KSZ8851SNL-Eval board receives +5V power from the header JP1 (pin 1). Figure 3 shows the Host SPI interface connection with Spirent SmartBits for system set-up and performance test.

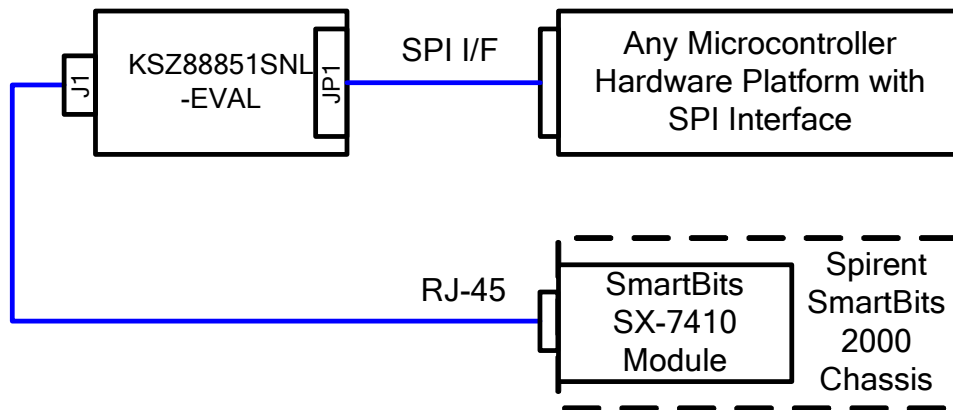


Figure 3. KSZ8851SNL-Eval Host SPI Interface Connection with Spirent SmartBits

The KSZ8851SNL-Eval has a 10-pin header (JP1) for Host SPI interface to any external Microcontroller hardware platform. Table 1 lists 4-wire SPI pin outs for the Host interface on header JP1. Table 2 lists the rest of control signals and power/ground pin outs for the Host interface on header JP1.

| Pin # (JP1) | SPI Interface Signal Name | Description   |
|-------------|---------------------------|---|
| 4           | SCLK                      | Serial clock input from host CPU for SPI interface. This clock speed can run up to 50 MHz |
| 6           | SI                        | Serial data in from host CPU for SPI interface  |
| 8           | CSN                       | Chip Select Enable (Active low) from host CPU for SPI interface                           |
| 10          | SO                        | Serial data out to host CPU for SPI interface   |

**Table 1. Header JP1 – Host Connection for SPI Interface**

| Pin # (JP1) | Power & Control Signal Names | Description                               |
|-------------|------------------------------|---|
| 1           | 5.0V_IN                      | +5V power supply inputs for this board    |
| 2, 9        | GND                          | Ground inputs/pins                        |
| 3           | RSTN                         | Reset input from host CPU                 |
| 5           | PME                          | Power Management Event output to host CPU |
| 7           | INTRN                        | Interrupt output to host CPU              |

**Table 2. Header JP1 – Host Connection for Control and Power**

## 4.2 Jumper Setting & Definition

The KSZ8851SNL-Eval does not require any jumper for normal operation except the VDD\_IO option. During power-up, the KSZ8851SNL is configured using the chip's internal pull-up and pull-down resistors with its default strapping pin value which will set this device in operation of without EEPROM. Jumpers are provided to override the default settings, allowing for quick configuration and re-configuration of the board. To override the default settings, simply select and close the desired jumper setting(s) and toggle the on-board manual reset button (S1) for the new setting(s) to take effect.

The KSZ8851SNL-Eval jumper settings are defined in Table 3 below.

| Jumper | Definition | Setting       | Description   |
|--------|------------|---------------|---|
| JP2    | EED_IO     | OFF (Default) | OFF: EEPROM is not present<br>ON: EEPROM is present                 |
| JP3    | 1.8V       | OFF (Default) | OFF: VDD_IO is 2.5V or 3.3V<br>ON: VDD_IO is 1.8V                   |
| JP4    | 3.3V       | ON (Default)  | ON: to select 3.3V (JP5 and JP6 must be OFF)<br>OFF: De-select 3.3V |
| JP5    | 2.5V       | OFF (Default) | ON: to select 2.5V (JP4 and JP6 must be OFF)<br>OFF: De-select 2.5V |
| JP6    | 1.8V       | OFF (Default) | ON: to select 1.8V (JP4 and JP5 must be OFF)<br>OFF: De-select 1.8V |

**Table 3. KSZ8851SNL-Eval Jumper Definition**



### 4.3 Power Supply and Test Point Definition

The KSZ8851SNL-Eval is supplied from external +5.0V DC power through a Header (pin 1 at JP1), this +5.0V DC input is converted to both +3.3V with a Micrel LDO voltage regulator (U3, MIC5209BM) for 3.3VA analog power and VDD (option for 3.3V, 2.5V or 1.8V) with a Micrel LDO voltage regulator (U4, MIC5209BM) for VDD\_IO digital power. The KSZ8851SNL contains an internal +1.8V LDO, to provide its core, analog and PLL voltages.

The KSZ8851SNL-Eval has four test points. They are defined in the following Table 4.

| Test Point | Definition  |
|------------|---|
| TP1        | 1.8V digital core voltage output measurement from KSZ8851SNL internal LDO |
| TP2        | 3.3V Power supply measurement for VDD_IO                                  |
| TP3        | 3.3VA Power supply measurement for VDD_A3.3                               |
| TP4        | 5.0V External power supply 5.0V_IN measurement                            |

**Table 4. KSZ8851SNL-Eval Test Point Definition**

### 4.4 RJ-45 Connector and Transformer

The RJ-45 Jack (J1) connects to standard CAT-5 Ethernet cable to interface with 10Base-T/100Base-TX Ethernet devices. The LAN interface on the KSZ8851SNL is connected to a transformer (T1) with 50 ohm termination resistors for both TX+/- and RX+/- differential pairs. The line side of the transformer is connected to the RJ-45 connectors (J1).

J1 also supports Auto-MDIX and Auto-Negotiation / Forced Modes.

### 4.5 EEPROM and LED Indicators

It is optional in the KSZ8851SNL to use an external EEPROM. The EED\_IO (JP2) must be pulled high (Jumper: ON) to use external EEPROM.

An external serial EEPROM with a standard microwire bus interface is used for non-volatile storage of information such as the host MAC address. The KSZ8851SNL can detect if the EEPROM is either a 1KB (93C46) or 4KB (93C66) EEPROM device. The EEPROM must be organized as 16-bit mode.

The KSZ8851SNL EEPROM format is given in Table 5.

| WORD    | 15  | 8 | 7                       | 0 |
|---------|---|---|-------------------------|---|
| 0H      | Reserved  |   |                         |   |
| 1H      | Host MAC Address Byte 2                             |   | Host MAC Address Byte 1 |   |
| 2H      | Host MAC Address Byte 4                             |   | Host MAC Address Byte 3 |   |
| 3H      | Host MAC Address Byte 6                             |   | Host MAC Address Byte 5 |   |
| 4H – 6H | Reserved  |   |                         |   |
| 7H-3FH  | Not used for KSZ8851SNL (available for user to use) |   |                         |   |

**Table 5. KSZ8851SNL EEPROM Format**

A dual LED indicator (LED1) is located adjacent to the RJ-45 Connector (J1). The top LED is connected to LED1 (pin 32) and bottom LED is connected to LED0 (pin 1) of the KSZ8851SNL. The two LEDs are programmable to LED mode '0' or '1' via register 0xC6 bits [9], and are defined in the following Table 6.

|               | LED Mode    |      |
|---------------|-------------|------|
|               | 0 (Default) | 1    |
| LED1 (Top)    | 100BT       | ACT  |
| LED1 (Bottom) | LINK/ACT    | LINK |

**Table 6. KSZ8851SNL-Eval Port Status LED Definition**

Table 7 shows the rest of LEDs definition.

| LED  | Color | Description                         |
|------|-------|-------------------------------------|
| LED2 | Green | Power Management Event (PME) Status |
| LED3 | Red   | 3.3V Power available indicator      |

**Table 7. KSZ8851SNL-Eval LED Definition**

## 4.6 Board Reset

The KSZ8851SNL-Eval generates a reset signal from the reset circuitry during power up. It also provides a push button S1 reset circuit to reset the KSZ8851SNL device. During power up, the board is automatically reset. User can also press reset button S1 on the board for a manual reset.

## 5.0 Bill of Materials

KSZ8851SNL Eval Board (Revision 1.1)

| Item | Quantity | Reference                                      | Part                                | Footprint      | Vendor            | Remark    |
|------|----------|--|-------------------------------------|----------------|-------------------|-----------|
| 1    | 4        | C1,C4,C7,C8                                    | 4.7uF                               | SIZE A         | Digikey 4932361-1 |           |
| 2    | 12       | C2,C3,C5,C9,C10,C11,C13<br>C15,C19,C23,C25,C28 | 0.1uF                               | 603            |                   |           |
| 3    | 2        | C6,C12   | 0.01uF                              | 603            |                   |           |
| 4    | 4        | C14,C18,C24,C27                                | 10uF                                | SIZE A         | Digikey 4932351-1 |           |
| 5    | 2        | C16,C17  | 1000pF/2KV                          | 1808           | 399-3443-1-ND     |           |
| 6    | 2        | C20,C21  | 22pF                                | 603            |                   |           |
| 7    | 1        | C22  | 47uF                                | SIZE C         |                   |           |
| 8    | 2        | C30,C26  | 470pF                               | 603            |                   |           |
| 9    | 1        | C29  | 22uF                                | SIZE B         |                   |           |
| 10   | 1        | D1   | 1N4148                              | DIODE\400      |                   |           |
| 11   | 2        | D2,D3 (for reference & not design in)          | GBLC03C_0                           | SOD-323        |                   | Option    |
| 12   | 4        | FB1,FB2,FB3,FB4                                | FBEAD (Steward HI1206N101R-00)      | 1206           |                   |           |
| 13   | 1        | JP1  | HEADER                              | 5x2 (TH 0.1mm) |                   |           |
| 14   | 5        | JP2,JP3,JP4,JP5,JP6                            | JUMPER                              | SIP\2P         |                   |           |
| 15   | 1        | J1   | RJ-45 Jack                          |                |                   |           |
| 16   | 1        | LED1   | LEDx2 (Dialight 553-0122-300 Green) |                |                   |           |
| 17   | 2        | LED2 (green)                                   | LED GRN (67-1553-1-ND 0805)         |                | Digikey           |           |
|      |          | LED3 (red)                                     | LED RED (67-1553-1-ND 0805)         |                | Digikey           |           |
| 18   | 2        | R1,R24   | 0                                   | 603            |                   |           |
| 19   | 4        | R2,R6,R13,R15                                  | 49.9                                | 603            |                   |           |
| 20   | 4        | R3,R4,R28,R29                                  | 4.7K                                | 603            |                   |           |
| 21   | 4        | R5,R7,R9,R10                                   | 75                                  | 603            |                   |           |
| 22   | 7        | R8,R11,R12,R14,R17,R21,R23                     | 33                                  | 603            |                   |           |
| 23   | 4        | R16,R18,R20,R26                                | 220                                 | 603            |                   |           |
| 24   | 1        | R19  | 10K                                 | 603            |                   |           |
| 25   | 1        | R22  | 3.01K                               | 603            |                   |           |
| 26   | 2        | R30,R25  | 1.5K                                | 603            |                   |           |
| 27   | 2        | R33,R27  | 2.49K                               | 603            |                   |           |
| 28   | 1        | R31  | 2.46K                               | 603            |                   |           |
| 29   | 1        | R32  | 5.54K                               | 603            |                   |           |
| 30   | 1        | S1   | SW PUSHBUTTON                       |                |                   |           |
| 31   | 4        | TP1,TP2,TP3,TP4                                | TestPoint                           |                |                   |           |
| 32   | 1        | T1   | SINGLE H1102                        |                | PULSE             |           |
| 33   | 1        | U1   | KSZ8851SNL (32-pin 5mmx5mm QFP)     |                | Micrel            | w/Socket  |
| 34   | 1        | U2   | AT93C46 SO8                         | DIP8           | ATMEL             | w/Socket  |
| 35   | 2        | U3,U4  | MIC5209BM                           | SOIC-8         | Micrel            |           |
| 36   | 1        | U5 (for reference & not design in)             | SRV05-4                             | SOT23-6        |                   | Option    |
| 37   | 1        | Y1   | 25MHZ Crystal                       | CA-301         | Digikey           | SE3441-ND |



Компания «ЭлектроПласт» предлагает заключение долгосрочных отношений при поставках импортных электронных компонентов на взаимовыгодных условиях!

Наши преимущества:

- Оперативные поставки широкого спектра электронных компонентов отечественного и импортного производства напрямую от производителей и с крупнейших мировых складов;
- Поставка более 17-ти миллионов наименований электронных компонентов;
- Поставка сложных, дефицитных, либо снятых с производства позиций;
- Оперативные сроки поставки под заказ (от 5 рабочих дней);
- Экспресс доставка в любую точку России;
- Техническая поддержка проекта, помощь в подборе аналогов, поставка прототипов;
- Система менеджмента качества сертифицирована по Международному стандарту ISO 9001;
- Лицензия ФСБ на осуществление работ с использованием сведений, составляющих государственную тайну;
- Поставка специализированных компонентов (Xilinx, Altera, Analog Devices, Intersil, Interpoint, Microsemi, Aeroflex, Peregrine, Syfer, Eurofarad, Texas Instrument, Miteq, Cobham, E2V, MA-COM, Hittite, Mini-Circuits, General Dynamics и др.);

Помимо этого, одним из направлений компании «ЭлектроПласт» является направление «Источники питания». Мы предлагаем Вам помощь Конструкторского отдела:

- Подбор оптимального решения, техническое обоснование при выборе компонента;
- Подбор аналогов;
- Консультации по применению компонента;
- Поставка образцов и прототипов;
- Техническая поддержка проекта;
- Защита от снятия компонента с производства.



#### Как с нами связаться

**Телефон:** 8 (812) 309 58 32 (многоканальный)

**Факс:** 8 (812) 320-02-42

**Электронная почта:** [org@eplast1.ru](mailto:org@eplast1.ru)

**Адрес:** 198099, г. Санкт-Петербург, ул. Калинина, дом 2, корпус 4, литера А.