

# HOA096X/097X

## Transmissive Optoschmitt Sensor

### FEATURES

- Direct TTL interface
- Accurate position sensing
- Four mounting configurations
- Buffer or inverting logic available
- Choice of detector aperture
- 0.125 in.(3.18 mm) slot width

### DESCRIPTION

The HOA096X/097X series consists of an infrared emitting diode facing an Optoschmitt detector encased in a black thermoplastic housing. Detector switching takes place whenever an opaque object passes through the slot between emitter and detector. The photodetector consists of a photodiode, amplifier, voltage regulator, Schmitt trigger and an NPN output transistor with 10 kΩ (nominal) pull-up resistor. The user can choose from available options: (1) detector aperture size, (2) mounting tab configuration, and (3) housing material.

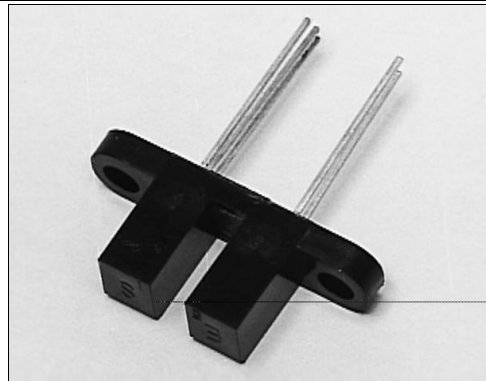
The HOA096X series utilizes an IR transmissive polysulfone housing which features smooth optical faces without external aperture openings; this feature is desirable when aperture blockage from airborne contaminants is a possibility. The HOA097X series employs an opaque polysulfone housing with aperture openings for use in applications where maximum rejection of ambient light is important and in situations in which maximum position resolution is desired. The HOA096X/097X series employs plastic molded components. For additional component information see SEP8506 and SDP8600.

Housing material is polysulfone. Housings are soluble in chlorinated hydrocarbons and ketones. Recommended cleaning agents are methanol and isopropanol.

#### Device Polarity:

- Buffer - Output is LO when optical path is blocked.
- Inverter - Output is HI when optical path is blocked.

To specify the complete product characteristics, see PART NUMBER GUIDE.

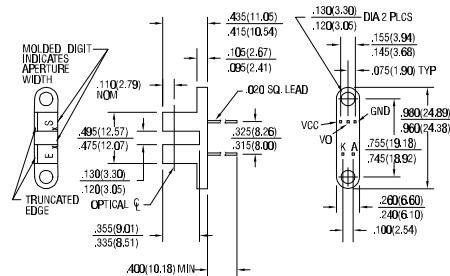


INFRA-26.TIF

### OUTLINE DIMENSIONS in inches (mm)

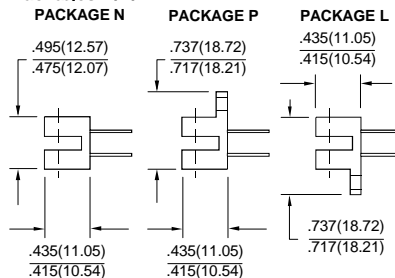
Tolerance 3 plc decimals ±0.010(0.25)  
2 plc decimals ±0.020(0.51)

### Package T



DIM\_066a.cdr

### Packages N/P/L



DIM\_41b.d54

# HOA096X/097X

## Transmissive Optoschmitt Sensor

### ELECTRICAL CHARACTERISTICS (25°C unless otherwise noted)

| PARAMETER                      | SYMBOL    | MIN | TYP | MAX | UNITS         | TEST CONDITIONS                       |
|--------------------------------|-----------|-----|-----|-----|---------------|---------------------------------------|
| <b>IR EMITTER</b>              |           |     |     |     |               |                                       |
| Forward Voltage                | $V_F$     |     | 1.6 |     | V             | $I_F=20\text{ mA}$                    |
| Reverse Leakage Current        | $I_R$     |     | 10  |     | $\mu\text{A}$ | $V_R=3\text{ V}$                      |
| <b>DETECTOR</b>                |           |     |     |     |               |                                       |
| Operating Supply Voltage       | $V_{CC}$  | 4.5 | 10  |     | V             |                                       |
| Low Level Supply Current       | $I_{CCL}$ | 4.0 | 12  |     | mA            | $V_{CC}=5\text{ V}$                   |
| Low Level Supply Current       |           | 5.0 | 15  |     |               | $V_{CC}=12\text{ V}$                  |
| High Level Supply Current      | $I_{CCH}$ | 2.0 | 10  |     | mA            | $V_{CC}=5\text{ V}$                   |
| High Level Supply Current      |           | 3.0 | 12  |     |               | $V_{CC}=12\text{ V}$                  |
| Low Level Output Voltage       | $V_{OL}$  |     | 0.4 |     | V             | $I_{OL}=12.8\text{ mA}$               |
| HOA0961/0971                   |           |     | 0.4 |     |               | $I_F=0\text{ mA}$                     |
| HOA0963/0973                   |           |     | 0.4 |     |               | $I_F=20\text{ mA}$                    |
| High Level Output Voltage      | $V_{OH}$  | 2.4 |     |     | V             | $I_{OH}=0$                            |
| HOA0961/0971                   |           | 2.4 |     |     |               | $I_F=20\text{ mA}$                    |
| HOA0963/0973                   |           | 2.4 |     |     |               | $I_F=0\text{ mA}$                     |
| Hysteresis <sup>(2)</sup>      | HYST      |     | 10  |     | %             |                                       |
| Propagation Delay, Low-High    | $t_{PLH}$ |     | 5   |     | $\mu\text{s}$ | $V_{CC}=5\text{ V}, I_F=20\text{ mA}$ |
| Propagation Delay, High-Low    | $t_{PHL}$ |     | 5   |     | $\mu\text{s}$ | $V_{CC}=5\text{ V}, I_F=20\text{ mA}$ |
| Rise Time                      | $t_r$     |     | 60  |     | ns            | $R_L=390\ \Omega, C_L=50\text{ pF}$   |
| Fall Time                      | $t_f$     |     | 15  |     | ns            | $R_L=390\ \Omega, C_L=50\text{ pF}$   |
| <b>COUPLED CHARACTERISTICS</b> |           |     |     |     |               |                                       |
| IRET Trigger Current           | $I_{FT}$  |     | 20  |     | mA            | $V_{CC}=5\text{ V}$                   |
| All Series                     |           |     |     |     |               |                                       |

#### Notes

- It is recommended that a bypass capacitor, 0.1  $\mu\text{F}$  typical, be added between  $V_{CC}$  and GND near the device in order to stabilize power supply line.
- Hysteresis is defined as the difference between the operating and release threshold intensities, expressed as a percentage of the operate threshold intensity.

### ABSOLUTE MAXIMUM RATINGS

(25°C Free-Air Temperature unless otherwise noted)

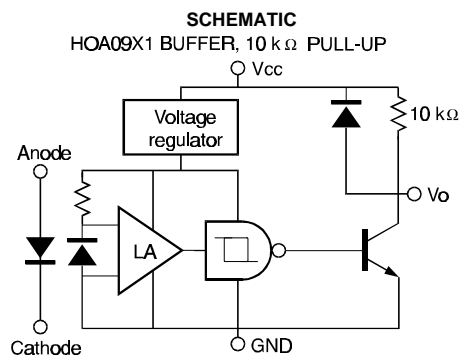
|                               |               |
|-------------------------------|---------------|
| Operating Temperature Range   | -40°C to 70°C |
| Storage Temperature Range     | -40°C to 85°C |
| Soldering Temperature (5 sec) | 240°C         |

#### IR EMITTER

|                            |                       |
|----------------------------|-----------------------|
| Power Dissipation          | 100 mW <sup>(1)</sup> |
| Reverse Voltage            | 3 V                   |
| Continuous Forward Current | 50 mA                 |

#### DETECTOR

|                     |                             |
|---------------------|-----------------------------|
| Supply Voltage      | 12 V <sup>(2)</sup>         |
| Output Sink Current | 18 mA                       |
| Duration of Output  | Short to $V_{CC}$ or Ground |
|                     | 1.0 sec.                    |



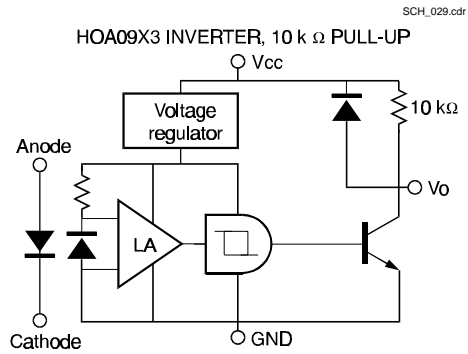
Honeywell reserves the right to make changes in order to improve design and supply the best products possible.

# Honeywell

# HOA096X/097X

## Transmissive Optoschmitt Sensor

### SCHEMATIC



### SWITCHING WAVEFORM FOR INVERTERS

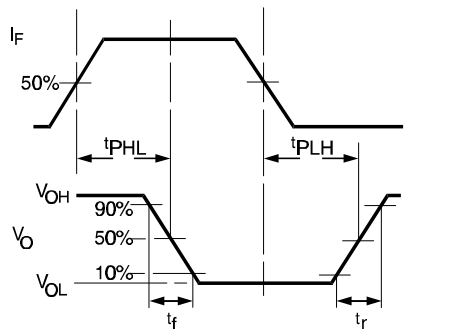
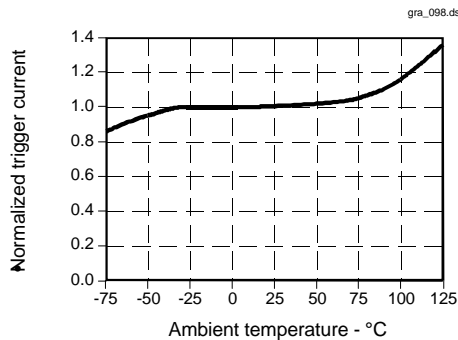


Fig. 2 IRED Trigger Current vs Temperature



All Performance Curves Show Typical Values

### SWITCHING WAVEFORM FOR BUFFERS

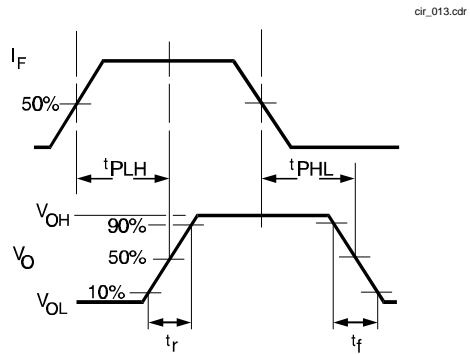
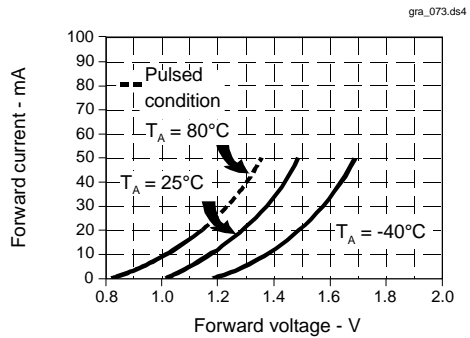


Fig. 1 IRED Forward Bias Characteristics



# HOA096X/097X

Transmissive Optoschmitt Sensor

## PART NUMBER GUIDE

### HOA09XX-XXX

#### Housing Material

- 6 = Polysulfone, IR transmissive
- 7 = Polysulfone, opaque

#### Output Configuration

- 1 = Buffer, output high with light on
- 3 = Inverter, output low with light on

#### Aperture Width In Front Of Detector

- 1 = 0.010 in. (0.25 mm)
- 5 = 0.050 in. (1.27 mm)
- Aperture length is 0.060 in. (1.52 mm)

#### Aperture Width In Front Of IRED

- 5 = 0.050 in. (1.27 mm)
- Aperture length is 0.060 in. (1.52 mm)

#### Mounting Configuration

- L = Single mounting tab, emitter side
- N = No mounting tabs
- P = Single mounting tab, detector side
- T = Two mounting tabs



Компания «ЭлектроПласт» предлагает заключение долгосрочных отношений при поставках импортных электронных компонентов на взаимовыгодных условиях!

Наши преимущества:

- Оперативные поставки широкого спектра электронных компонентов отечественного и импортного производства напрямую от производителей и с крупнейших мировых складов;
- Поставка более 17-ти миллионов наименований электронных компонентов;
- Поставка сложных, дефицитных, либо снятых с производства позиций;
- Оперативные сроки поставки под заказ (от 5 рабочих дней);
- Экспресс доставка в любую точку России;
- Техническая поддержка проекта, помощь в подборе аналогов, поставка прототипов;
- Система менеджмента качества сертифицирована по Международному стандарту ISO 9001;
- Лицензия ФСБ на осуществление работ с использованием сведений, составляющих государственную тайну;
- Поставка специализированных компонентов (Xilinx, Altera, Analog Devices, Intersil, Interpoint, Microsemi, Aeroflex, Peregrine, Syfer, Eurofarad, Texas Instrument, Miteq, Cobham, E2V, MA-COM, Hittite, Mini-Circuits, General Dynamics и др.);

Помимо этого, одним из направлений компании «ЭлектроПласт» является направление «Источники питания». Мы предлагаем Вам помощь Конструкторского отдела:

- Подбор оптимального решения, техническое обоснование при выборе компонента;
- Подбор аналогов;
- Консультации по применению компонента;
- Поставка образцов и прототипов;
- Техническая поддержка проекта;
- Защита от снятия компонента с производства.



#### Как с нами связаться

**Телефон:** 8 (812) 309 58 32 (многоканальный)

**Факс:** 8 (812) 320-02-42

**Электронная почта:** [org@eplast1.ru](mailto:org@eplast1.ru)

**Адрес:** 198099, г. Санкт-Петербург, ул. Калинина, дом 2, корпус 4, литера А.