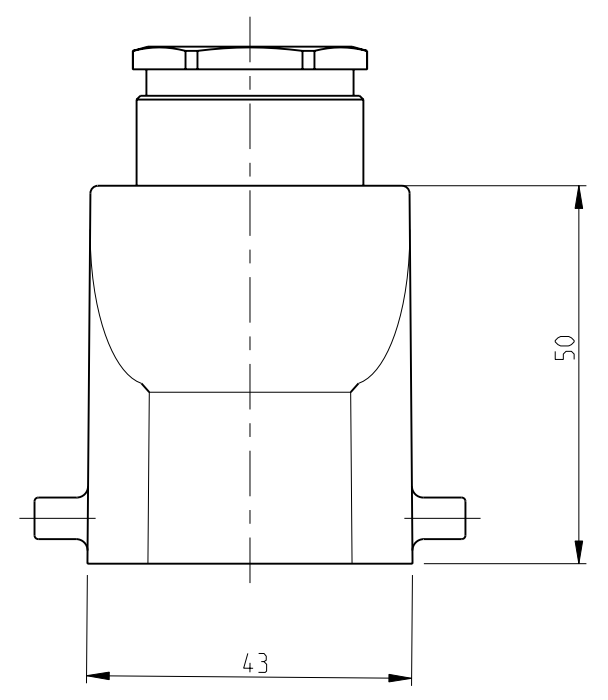
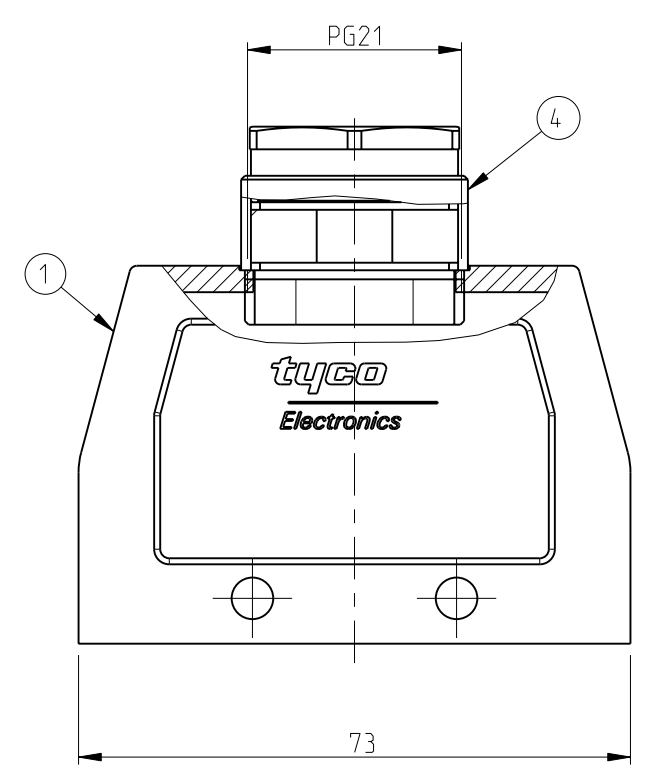


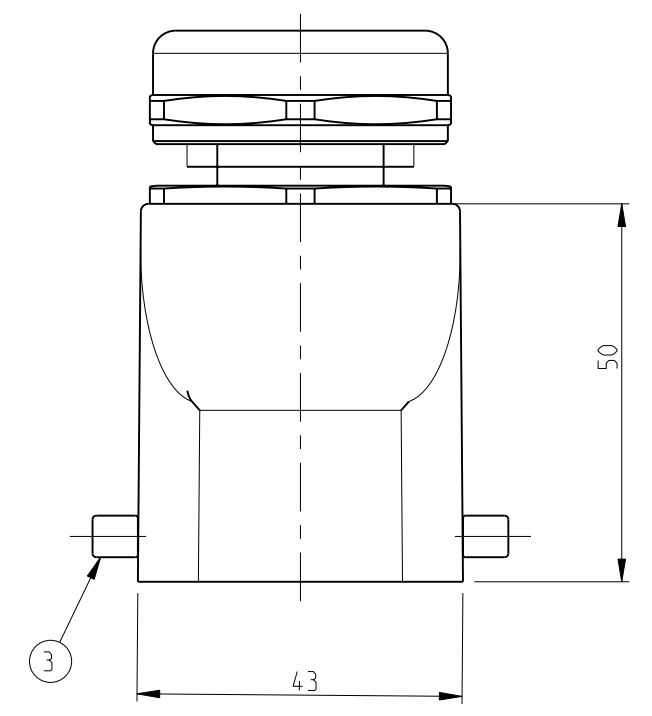
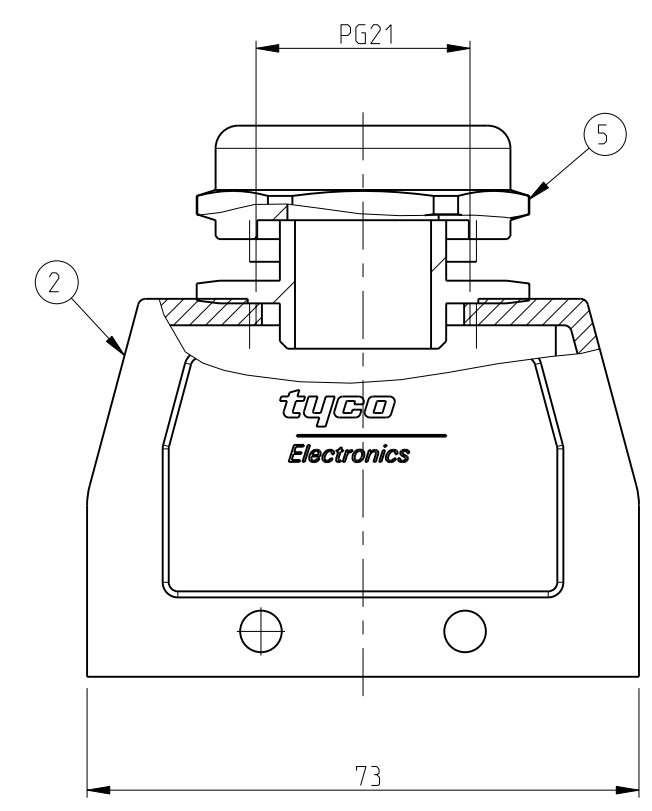
THIS DRAWING IS UNPUBLISHED. RELEASED FOR PUBLICATION .1997
 © COPYRIGHT 1997 BY TYCO ELECTRONICS CORPORATION. ALL RIGHTS RESERVED.

| LOC | DIST | REVISIONS | | | |
|-----|------|-------------------------------|----------|-----|------|
| P | LTR | DESCRIPTION | DATE | DWN | APVD |
| A1 | - | Released as per ECR-07-030422 | 17.12.07 | SP | TS |

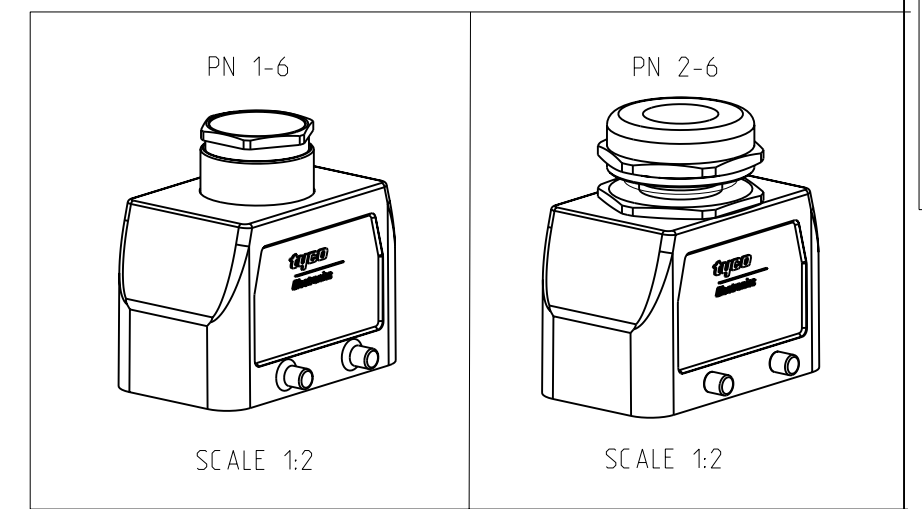
PN 1-6



PN 2-6



- NOTES.
- 1 Material:Housing:Aluminium Diecasting Alloy
 - 2 Surface-Powder Varnish Grey
-Aluminium Oxide +
Varnish Black
 - 3 Varnish on the inside not necessary
 - 4 Packaging
Quantity 5 Pieces in a box



| QTY | DESCRIPTION | MATERIAL | SURFACE | COLOR | ITEM NO | DESCRIPTION |
|-----|------------------------|-----------------|-----------------|-------|---------|-------------|
| 1 | Gland fitting | Brass | Nickel plated | Blue | 5 | PG21 |
| 1 | Cable connection round | Brass | Nickel plated | Blue | 4 | PG21 |
| 4 | VS-Clip bolt | Stainless steel | Blank | - | 3 | - |
| 1 | Hood HB-K | Aluminium | Aluminium oxide | Black | 2 | - |
| 1 | Hood HB | Aluminium | - | Grey | 1 | - |

ORDERING TEXT
 HB.10.STO.1.21
 HB-K.10.STO.1.21

THIS DRAWING IS A CONTROLLED DOCUMENT FOR TYCO ELECTRONICS CORPORATION
 IT IS SUBJECT TO CHANGE AND THE CONTROLLING ENGINEERING ORGANIZATION
 SHOULD BE CONTACTED FOR THE LATEST REVISION.

| | | | |
|--|-----------|----------|--|
| DWN | Schneider | 09.12.02 | Tyco Electronics,AMP,GmbH D-53819,Neunkirchen,Germany |
| CHK | Schweiger | 09.12.02 | |
| APVD | - | - | |
| DIMENSIONS: mm | | | NAME |
| TOLERANCES UNLESS OTHERWISE SPECIFIED: h11/d9 h12/d9 h13/d9 h14/d9 h15/d9 h16/d9 h17/d9 h18/d9 h19/d9 h20/d9 h21/d9 h22/d9 h23/d9 h24/d9 h25/d9 h26/d9 h27/d9 h28/d9 h29/d9 h30/d9 h31/d9 h32/d9 h33/d9 h34/d9 h35/d9 h36/d9 h37/d9 h38/d9 h39/d9 h40/d9 h41/d9 h42/d9 h43/d9 h44/d9 h45/d9 h46/d9 h47/d9 h48/d9 h49/d9 h50/d9 h51/d9 h52/d9 h53/d9 h54/d9 h55/d9 h56/d9 h57/d9 h58/d9 h59/d9 h60/d9 h61/d9 h62/d9 h63/d9 h64/d9 h65/d9 h66/d9 h67/d9 h68/d9 h69/d9 h70/d9 h71/d9 h72/d9 h73/d9 h74/d9 h75/d9 h76/d9 h77/d9 h78/d9 h79/d9 h80/d9 h81/d9 h82/d9 h83/d9 h84/d9 h85/d9 h86/d9 h87/d9 h88/d9 h89/d9 h90/d9 h91/d9 h92/d9 h93/d9 h94/d9 h95/d9 h96/d9 h97/d9 h98/d9 h99/d9 h100/d9 h101/d9 h102/d9 h103/d9 h104/d9 h105/d9 h106/d9 h107/d9 h108/d9 h109/d9 h110/d9 h111/d9 h112/d9 h113/d9 h114/d9 h115/d9 h116/d9 h117/d9 h118/d9 h119/d9 h120/d9 h121/d9 h122/d9 h123/d9 h124/d9 h125/d9 h126/d9 h127/d9 h128/d9 h129/d9 h130/d9 h131/d9 h132/d9 h133/d9 h134/d9 h135/d9 h136/d9 h137/d9 h138/d9 h139/d9 h140/d9 h141/d9 h142/d9 h143/d9 h144/d9 h145/d9 h146/d9 h147/d9 h148/d9 h149/d9 h150/d9 h151/d9 h152/d9 h153/d9 h154/d9 h155/d9 h156/d9 h157/d9 h158/d9 h159/d9 h160/d9 h161/d9 h162/d9 h163/d9 h164/d9 h165/d9 h166/d9 h167/d9 h168/d9 h169/d9 h170/d9 h171/d9 h172/d9 h173/d9 h174/d9 h175/d9 h176/d9 h177/d9 h178/d9 h179/d9 h180/d9 h181/d9 h182/d9 h183/d9 h184/d9 h185/d9 h186/d9 h187/d9 h188/d9 h189/d9 h190/d9 h191/d9 h192/d9 h193/d9 h194/d9 h195/d9 h196/d9 h197/d9 h198/d9 h199/d9 h200/d9 h201/d9 h202/d9 h203/d9 h204/d9 h205/d9 h206/d9 h207/d9 h208/d9 h209/d9 h210/d9 h211/d9 h212/d9 h213/d9 h214/d9 h215/d9 h216/d9 h217/d9 h218/d9 h219/d9 h220/d9 h221/d9 h222/d9 h223/d9 h224/d9 h225/d9 h226/d9 h227/d9 h228/d9 h229/d9 h230/d9 h231/d9 h232/d9 h233/d9 h234/d9 h235/d9 h236/d9 h237/d9 h238/d9 h239/d9 h240/d9 h241/d9 h242/d9 h243/d9 h244/d9 h245/d9 h246/d9 h247/d9 h248/d9 h249/d9 h250/d9 h251/d9 h252/d9 h253/d9 h254/d9 h255/d9 h256/d9 h257/d9 h258/d9 h259/d9 h260/d9 h261/d9 h262/d9 h263/d9 h264/d9 h265/d9 h266/d9 h267/d9 h268/d9 h269/d9 h270/d9 h271/d9 h272/d9 h273/d9 h274/d9 h275/d9 h276/d9 h277/d9 h278/d9 h279/d9 h280/d9 h281/d9 h282/d9 h283/d9 h284/d9 h285/d9 h286/d9 h287/d9 h288/d9 h289/d9 h290/d9 h291/d9 h292/d9 h293/d9 h294/d9 h295/d9 h296/d9 h297/d9 h298/d9 h299/d9 h300/d9 h301/d9 h302/d9 h303/d9 h304/d9 h305/d9 h306/d9 h307/d9 h308/d9 h309/d9 h310/d9 h311/d9 h312/d9 h313/d9 h314/d9 h315/d9 h316/d9 h317/d9 h318/d9 h319/d9 h320/d9 h321/d9 h322/d9 h323/d9 h324/d9 h325/d9 h326/d9 h327/d9 h328/d9 h329/d9 h330/d9 h331/d9 h332/d9 h333/d9 h334/d9 h335/d9 h336/d9 h337/d9 h338/d9 h339/d9 h340/d9 h341/d9 h342/d9 h343/d9 h344/d9 h345/d9 h346/d9 h347/d9 h348/d9 h349/d9 h350/d9 h351/d9 h352/d9 h353/d9 h354/d9 h355/d9 h356/d9 h357/d9 h358/d9 h359/d9 h360/d9 h361/d9 h362/d9 h363/d9 h364/d9 h365/d9 h366/d9 h367/d9 h368/d9 h369/d9 h370/d9 h371/d9 h372/d9 h373/d9 h374/d9 h375/d9 h376/d9 h377/d9 h378/d9 h379/d9 h380/d9 h381/d9 h382/d9 h383/d9 h384/d9 h385/d9 h386/d9 h387/d9 h388/d9 h389/d9 h390/d9 h391/d9 h392/d9 h393/d9 h394/d9 h395/d9 h396/d9 h397/d9 h398/d9 h399/d9 h400/d9 h401/d9 h402/d9 h403/d9 h404/d9 h405/d9 h406/d9 h407/d9 h408/d9 h409/d9 h410/d9 h411/d9 h412/d9 h413/d9 h414/d9 h415/d9 h416/d9 h417/d9 h418/d9 h419/d9 h420/d9 h421/d9 h422/d9 h423/d9 h424/d9 h425/d9 h426/d9 h427/d9 h428/d9 h429/d9 h430/d9 h431/d9 h432/d9 h433/d9 h434/d9 h435/d9 h436/d9 h437/d9 h438/d9 h439/d9 h440/d9 h441/d9 h442/d9 h443/d9 h444/d9 h445/d9 h446/d9 h447/d9 h448/d9 h449/d9 h450/d9 h451/d9 h452/d9 h453/d9 h454/d9 h455/d9 h456/d9 h457/d9 h458/d9 h459/d9 h460/d9 h461/d9 h462/d9 h463/d9 h464/d9 h465/d9 h466/d9 h467/d9 h468/d9 h469/d9 h470/d9 h471/d9 h472/d9 h473/d9 h474/d9 h475/d9 h476/d9 h477/d9 h478/d9 h479/d9 h480/d9 h481/d9 h482/d9 h483/d9 h484/d9 h485/d9 h486/d9 h487/d9 h488/d9 h489/d9 h490/d9 h491/d9 h492/d9 h493/d9 h494/d9 h495/d9 h496/d9 h497/d9 h498/d9 h499/d9 h500/d9 h501/d9 h502/d9 h503/d9 h504/d9 h505/d9 h506/d9 h507/d9 h508/d9 h509/d9 h510/d9 h511/d9 h512/d9 h513/d9 h514/d9 h515/d9 h516/d9 h517/d9 h518/d9 h519/d9 h520/d9 h521/d9 h522/d9 h523/d9 h524/d9 h525/d9 h526/d9 h527/d9 h528/d9 h529/d9 h530/d9 h531/d9 h532/d9 h533/d9 h534/d9 h535/d9 h536/d9 h537/d9 h538/d9 h539/d9 h540/d9 h541/d9 h542/d9 h543/d9 h544/d9 h545/d9 h546/d9 h547/d9 h548/d9 h549/d9 h550/d9 h551/d9 h552/d9 h553/d9 h554/d9 h555/d9 h556/d9 h557/d9 h558/d9 h559/d9 h560/d9 h561/d9 h562/d9 h563/d9 h564/d9 h565/d9 h566/d9 h567/d9 h568/d9 h569/d9 h570/d9 h571/d9 h572/d9 h573/d9 h574/d9 h575/d9 h576/d9 h577/d9 h578/d9 h579/d9 h580/d9 h581/d9 h582/d9 h583/d9 h584/d9 h585/d9 h586/d9 h587/d9 h588/d9 h589/d9 h590/d9 h591/d9 h592/d9 h593/d9 h594/d9 h595/d9 h596/d9 h597/d9 h598/d9 h599/d9 h600/d9 h601/d9 h602/d9 h603/d9 h604/d9 h605/d9 h606/d9 h607/d9 h608/d9 h609/d9 h610/d9 h611/d9 h612/d9 h613/d9 h614/d9 h615/d9 h616/d9 h617/d9 h618/d9 h619/d9 h620/d9 h621/d9 h622/d9 h623/d9 h624/d9 h625/d9 h626/d9 h627/d9 h628/d9 h629/d9 h630/d9 h631/d9 h632/d9 h633/d9 h634/d9 h635/d9 h636/d9 h637/d9 h638/d9 h639/d9 h640/d9 h641/d9 h642/d9 h643/d9 h644/d9 h645/d9 h646/d9 h647/d9 h648/d9 h649/d9 h650/d9 h651/d9 h652/d9 h653/d9 h654/d9 h655/d9 h656/d9 h657/d9 h658/d9 h659/d9 h660/d9 h661/d9 h662/d9 h663/d9 h664/d9 h665/d9 h666/d9 h667/d9 h668/d9 h669/d9 h670/d9 h671/d9 h672/d9 h673/d9 h674/d9 h675/d9 h676/d9 h677/d9 h678/d9 h679/d9 h680/d9 h681/d9 h682/d9 h683/d9 h684/d9 h685/d9 h686/d9 h687/d9 h688/d9 h689/d9 h690/d9 h691/d9 h692/d9 h693/d9 h694/d9 h695/d9 h696/d9 h697/d9 h698/d9 h699/d9 h700/d9 h701/d9 h702/d9 h703/d9 h704/d9 h705/d9 h706/d9 h707/d9 h708/d9 h709/d9 h710/d9 h711/d9 h712/d9 h713/d9 h714/d9 h715/d9 h716/d9 h717/d9 h718/d9 h719/d9 h720/d9 h721/d9 h722/d9 h723/d9 h724/d9 h725/d9 h726/d9 h727/d9 h728/d9 h729/d9 h730/d9 h731/d9 h732/d9 h733/d9 h734/d9 h735/d9 h736/d9 h737/d9 h738/d9 h739/d9 h740/d9 h741/d9 h742/d9 h743/d9 h744/d9 h745/d9 h746/d9 h747/d9 h748/d9 h749/d9 h750/d9 h751/d9 h752/d9 h753/d9 h754/d9 h755/d9 h756/d9 h757/d9 h758/d9 h759/d9 h760/d9 h761/d9 h762/d9 h763/d9 h764/d9 h765/d9 h766/d9 h767/d9 h768/d9 h769/d9 h770/d9 h771/d9 h772/d9 h773/d9 h774/d9 h775/d9 h776/d9 h777/d9 h778/d9 h779/d9 h780/d9 h781/d9 h782/d9 h783/d9 h784/d9 h785/d9 h786/d9 h787/d9 h788/d9 h789/d9 h790/d9 h791/d9 h792/d9 h793/d9 h794/d9 h795/d9 h796/d9 h797/d9 h798/d9 h799/d9 h800/d9 h801/d9 h802/d9 h803/d9 h804/d9 h805/d9 h806/d9 h807/d9 h808/d9 h809/d9 h810/d9 h811/d9 h812/d9 h813/d9 h814/d9 h815/d9 h816/d9 h817/d9 h818/d9 h819/d9 h820/d9 h821/d9 h822/d9 h823/d9 h824/d9 h825/d9 h826/d9 h827/d9 h828/d9 h829/d9 h830/d9 h831/d9 h832/d9 h833/d9 h834/d9 h835/d9 h836/d9 h837/d9 h838/d9 h839/d9 h840/d9 h841/d9 h842/d9 h843/d9 h844/d9 h845/d9 h846/d9 h847/d9 h848/d9 h849/d9 h850/d9 h851/d9 h852/d9 h853/d9 h854/d9 h855/d9 h856/d9 h857/d9 h858/d9 h859/d9 h860/d9 h861/d9 h862/d9 h863/d9 h864/d9 h865/d9 h866/d9 h867/d9 h868/d9 h869/d9 h870/d9 h871/d9 h872/d9 h873/d9 h874/d9 h875/d9 h876/d9 h877/d9 h878/d9 h879/d9 h880/d9 h881/d9 h882/d9 h883/d9 h884/d9 h885/d9 h886/d9 h887/d9 h888/d9 h889/d9 h890/d9 h891/d9 h892/d9 h893/d9 h894/d9 h895/d9 h896/d9 h897/d9 h898/d9 h899/d9 h900/d9 h901/d9 h902/d9 h903/d9 h904/d9 h905/d9 h906/d9 h907/d9 h908/d9 h909/d9 h910/d9 h911/d9 h912/d9 h913/d9 h914/d9 h915/d9 h916/d9 h917/d9 h918/d9 h919/d9 h920/d9 h921/d9 h922/d9 h923/d9 h924/d9 h925/d9 h926/d9 h927/d9 h928/d9 h929/d9 h930/d9 h931/d9 h932/d9 h933/d9 h934/d9 h935/d9 h936/d9 h937/d9 h938/d9 h939/d9 h940/d9 h941/d9 h942/d9 h943/d9 h944/d9 h945/d9 h946/d9 h947/d9 h948/d9 h949/d9 h950/d9 h951/d9 h952/d9 h953/d9 h954/d9 h955/d9 h956/d9 h957/d9 h958/d9 h959/d9 h960/d9 h961/d9 h962/d9 h963/d9 h964/d9 h965/d9 h966/d9 h967/d9 h968/d9 h969/d9 h970/d9 h971/d9 h972/d9 h973/d9 h974/d9 h975/d9 h976/d9 h977/d9 h978/d9 h979/d9 h980/d9 h981/d9 h982/d9 h983/d9 h984/d9 h985/d9 h986/d9 h987/d9 h988/d9 h989/d9 h990/d9 h991/d9 h992/d9 h993/d9 h994/d9 h995/d9 h996/d9 h997/d9 h998/d9 h999/d9 h1000/d9 | | | |



Компания «ЭлектроПласт» предлагает заключение долгосрочных отношений при поставках импортных электронных компонентов на взаимовыгодных условиях!

Наши преимущества:

- Оперативные поставки широкого спектра электронных компонентов отечественного и импортного производства напрямую от производителей и с крупнейших мировых складов;
- Поставка более 17-ти миллионов наименований электронных компонентов;
- Поставка сложных, дефицитных, либо снятых с производства позиций;
- Оперативные сроки поставки под заказ (от 5 рабочих дней);
- Экспресс доставка в любую точку России;
- Техническая поддержка проекта, помощь в подборе аналогов, поставка прототипов;
- Система менеджмента качества сертифицирована по Международному стандарту ISO 9001;
- Лицензия ФСБ на осуществление работ с использованием сведений, составляющих государственную тайну;
- Поставка специализированных компонентов (Xilinx, Altera, Analog Devices, Intersil, Interpoint, Microsemi, Aeroflex, Peregrine, Syfer, Eurofarad, Texas Instrument, Miteq, Cobham, E2V, MA-COM, Hittite, Mini-Circuits, General Dynamics и др.);

Помимо этого, одним из направлений компании «ЭлектроПласт» является направление «Источники питания». Мы предлагаем Вам помощь Конструкторского отдела:

- Подбор оптимального решения, техническое обоснование при выборе компонента;
- Подбор аналогов;
- Консультации по применению компонента;
- Поставка образцов и прототипов;
- Техническая поддержка проекта;
- Защита от снятия компонента с производства.



Как с нами связаться

Телефон: 8 (812) 309 58 32 (многоканальный)

Факс: 8 (812) 320-02-42

Электронная почта: org@eplast1.ru

Адрес: 198099, г. Санкт-Петербург, ул. Калинина, дом 2, корпус 4, литера А.