

HDSM-291x/293x

0.28" (7.0mm)

Dual digit surface mount LED display



Data Sheet

Description

The HDSM-291x/293x is a dual digit display of 0.28" (7.0mm) height. This device utilizes AlInGaP / GaAs chips and has a grey surface with white segments.

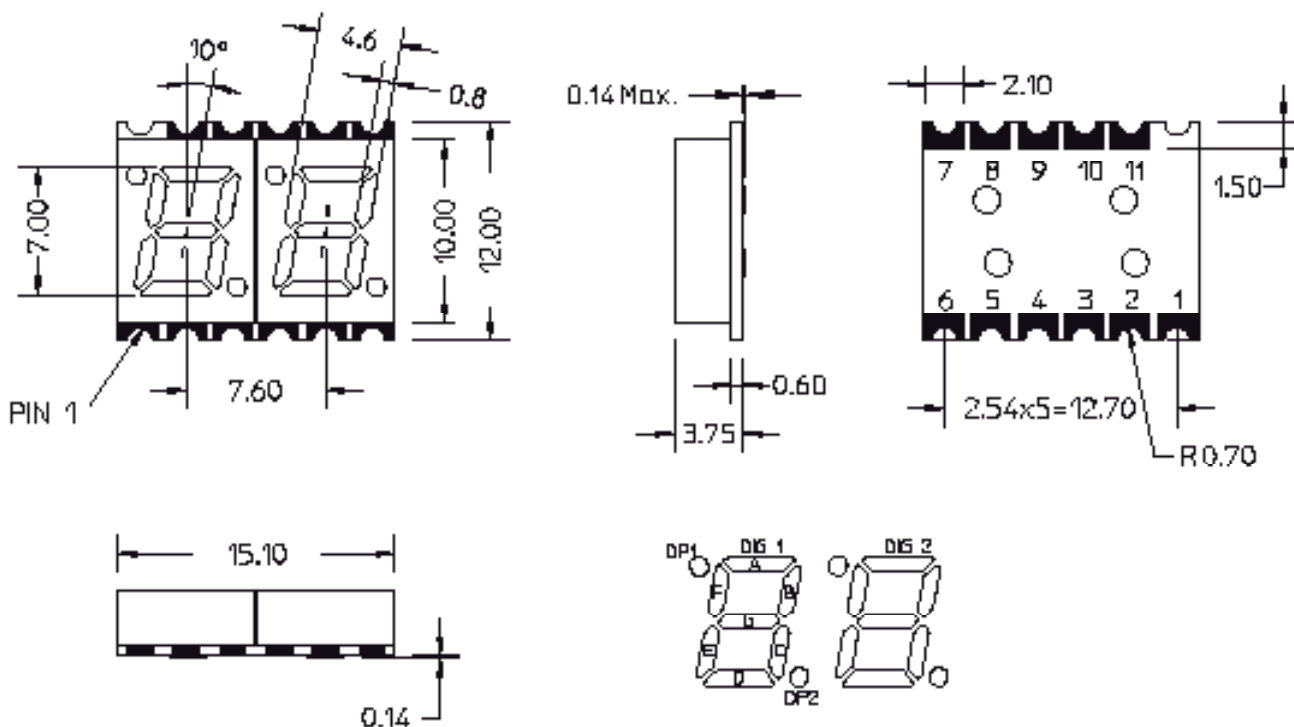
Features

- 0.28" digit height
- Low current operation
- Excellent characters appearance
- Available in CA and CC
- 1000 pieces per reel
- Moisture sensitivity level: Level 3
- RoHS compliant

Ordering Information

| Red | Green | Yellow | Orange | Description |
|-----------|-----------|-----------|-----------|---|
| HDSM-291C | HDSM-291H | HDSM-291F | HDSM-291L | Common Anode, Upper and Lower Decimal |
| HDSM-293C | HDSM-293H | HDSM-293F | HDSM-293L | Common Cathode, Upper and Lower Decimal |

Package Dimensions



Notes:

All dimensions are in millimeters (inches).

Tolerance: $\pm 0.25\text{mm}$ (0.01") unless otherwise noted.

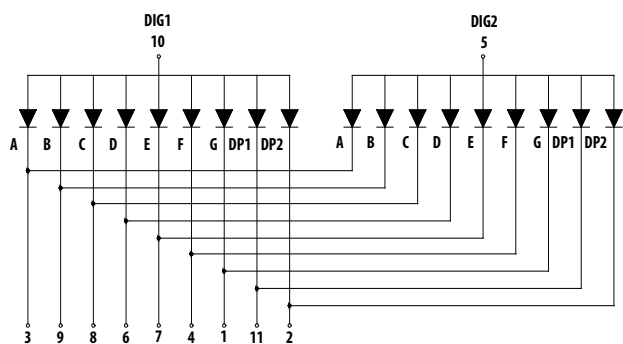
Pin Connection (Common Anode)

| PIN No | Connection |
|--------|-------------------|
| 1 | CATHODE G |
| 2 | CATHODE DP2,DP4 |
| 3 | CATHODE A |
| 4 | CATHODE F |
| 5 | COMMON ANODE DIG2 |
| 6 | CATHODE D |
| 7 | CATHODE E |
| 8 | CATHODE C |
| 9 | CATHODE B |
| 10 | COMMON ANODE DIG1 |
| 11 | CATHODE DP1,DP3 |

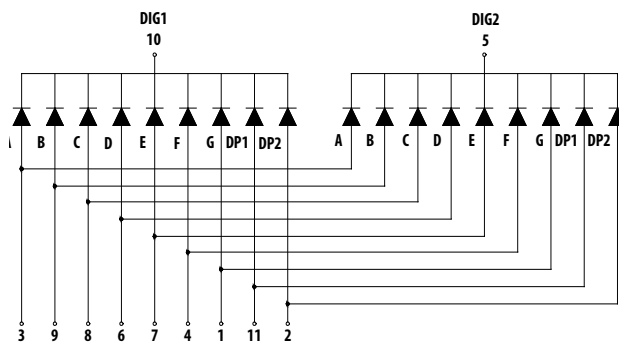
Pin Connection (Common Cathode)

| PIN No | Connection |
|--------|----------------------|
| 1 | ANODE G |
| 2 | ANODE DP2,DP4 |
| 3 | ANODE A |
| 4 | ANODE F |
| 5 | COMMON CATHODE DIG2 |
| 6 | ANODE D |
| 7 | ANODE E |
| 8 | ANODE C |
| 9 | ANODE B |
| 10 | COMMON CATHODE DIG 1 |
| 11 | ANODE DP1,DP3 |

Internal Circuit Diagram (Common Anode)



Internal Circuit Diagram (Common Cathode)



Absolute Maximum Ratings @ $T_A=25^\circ$

| Parameter | Green/Yellow/Red/Orange | Unit |
|---|-------------------------|--------|
| Power Dissipation Per Segment | 65 | mW |
| Peak Forward Current Per Segment (1/10 Duty Cycle, .0.1ms pulse width) | 100 | mA |
| Continuous Forward Current Per Segment Derating Linearly From 25°C Per Segment | 25 | mA |
| Reverse Voltage Per Segment | 0.25 | mA/ °C |
| Operating Temperature Range | 5 | V |
| Storage Temperature Range | -40°C to +105°C | |
| | -40°C to +105°C | |

Electrical / Optical Characteristics @ T_A=25°C

Green

| Parameters | Symbol | Min | Typ | Max | Unit | Test Condition |
|-----------------------------------|--------------------------------|-----|---------|-----|------|-----------------------|
| Average Luminous Intensity | I _V | 3.4 | 6 | - | mcd | I _F = 10mA |
| Emissions Wavelength | λ _p /λ _d | - | 572/571 | - | nm | I _F = 20mA |
| Spectral Line Half-Width | Δλ | - | 20 | - | nm | I _F = 20mA |
| Forward Voltage, Per Segment | V _F | - | 2.1 | 2.6 | V | I _F = 20mA |
| Reverse Current, Per Segment | I _R | - | - | 100 | μA | V _R = 5V |
| Luminous Intensity Matching Ratio | I _{V-M} | - | - | 2:1 | - | I _F = 10mA |

Yellow

| Parameters | Symbol | Min | Typ | Max | Unit | Test Condition |
|-----------------------------------|--------------------------------|-----|---------|-----|------|-----------------------|
| Average Luminous Intensity | I _V | 3.4 | 8.0 | - | mcd | I _F = 10mA |
| Emissions Wavelength | λ _p /λ _d | - | 591/589 | - | nm | I _F = 20mA |
| Spectral Line Half-Width | Δλ | - | 15 | - | nm | I _F = 20mA |
| Forward Voltage, Per Segment | V _F | - | 2.1 | 2.6 | V | I _F = 20mA |
| Reverse Current, Per Segment | I _R | - | - | 100 | μA | V _R = 5V |
| Luminous Intensity Matching Ratio | I _{V-M} | - | - | 2:1 | - | I _F = 10mA |

Red

| Parameters | Symbol | Min | Typ | Max | Unit | Test Condition |
|-----------------------------------|--------------------------------|-----|---------|-----|------|-----------------------|
| Average Luminous Intensity | I _V | 3.4 | 7.5 | - | mcd | I _F = 10mA |
| Emissions Wavelength | λ _p /λ _d | - | 632/624 | - | nm | I _F = 20mA |
| Spectral Line Half-Width | Δλ | - | 20 | - | nm | I _F = 20mA |
| Forward Voltage, Per Segment | V _F | - | 2.0 | 2.6 | V | I _F = 20mA |
| Reverse Current, Per Segment | I _R | - | - | 100 | μA | V _R = 5V |
| Luminous Intensity Matching Ratio | I _{V-M} | - | - | 2:1 | - | I _F = 10mA |

Orange

| Parameters | Symbol | Min | Typ | Max | Unit | Test Condition |
|-----------------------------------|--------------------------------|-----|---------|-----|------|-----------------------|
| Average Luminous Intensity | I _V | 3.4 | 8.5 | - | mcd | I _F = 10mA |
| Emissions Wavelength | λ _p /λ _d | - | 611/605 | - | nm | I _F = 20mA |
| Spectral Line Half-Width | Δλ | - | 20 | - | nm | I _F = 20mA |
| Forward Voltage, Per Segment | V _F | - | 2.1 | 2.6 | V | I _F = 20mA |
| Reverse Current, Per Segment | I _R | - | - | 100 | μA | V _R = 5V |
| Luminous Intensity Matching Ratio | I _{V-M} | - | - | 2:1 | - | I _F = 10mA |

Typical Electrical / Optical characteristic curves @ $T_A=25^\circ\text{C}$

Green



Figure 1. Relative Luminous Intensity vs. Wavelength



Figure 2. Relative Luminous Intensity vs. Forward Current



Figure 3. Allowable DC Current vs. Ambient Temperature



Figure 4. Forward Current vs. Forward Voltage

Yellow

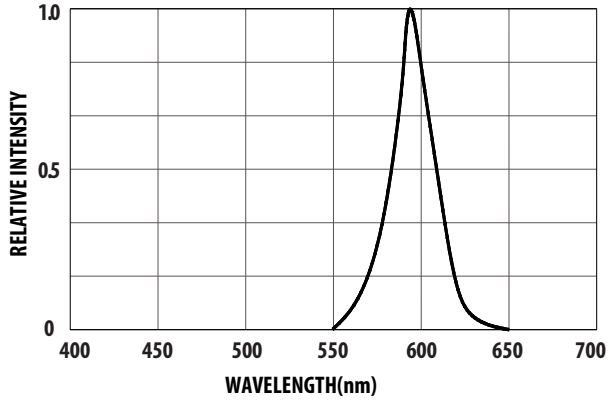


Figure 1. Relative Intensity vs. Wavelength

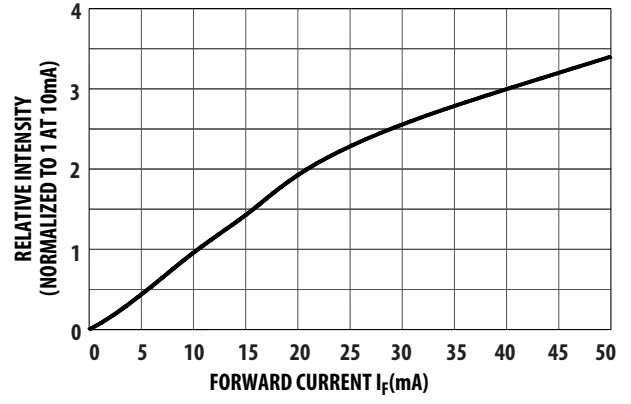


Figure 2. Relative Intensity vs. Forward Current

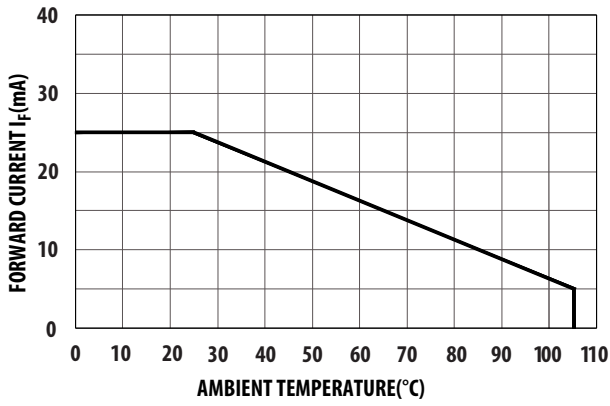


Figure 3. Allowable DC Current vs. Ambient Temperature

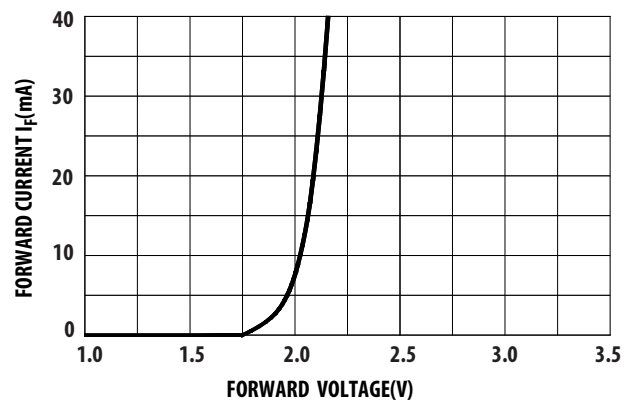


Figure 4. Forward Current vs. Forward Voltage

Red

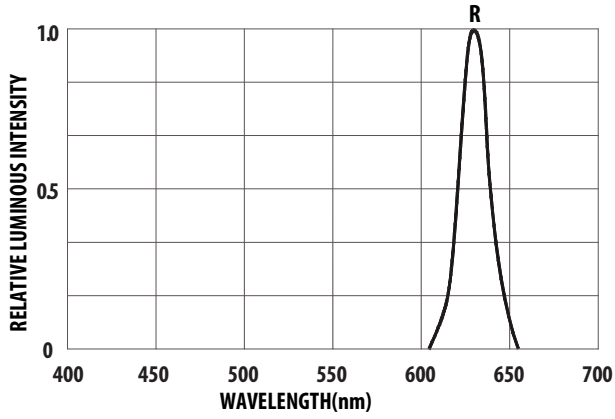


Figure 1. Relative Luminous Intensity vs. Wavelength

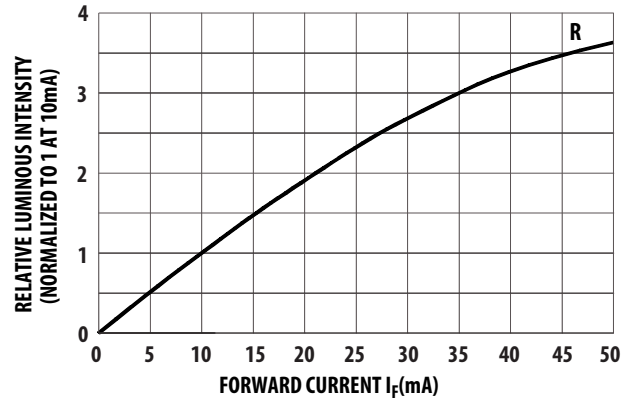


Figure 2. Relative Luminous Intensity vs. Forward Current

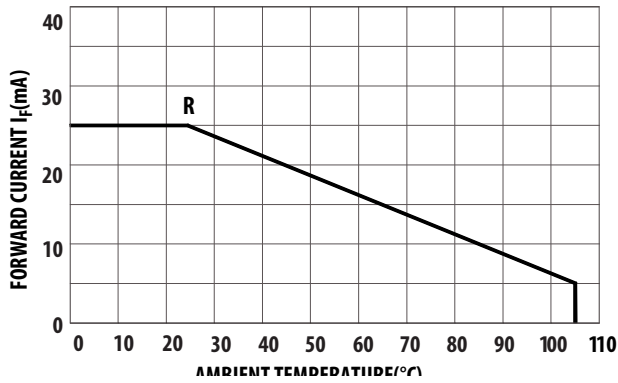


Figure 3. Allowable DC Current vs. Ambient Temperature

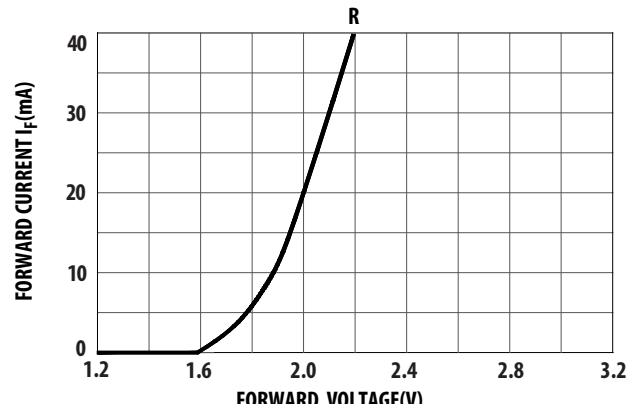


Figure 4. Forward Current vs. Forward Voltage

Orange



Figure 1. Relative Intensity vs. Wavelength



Figure 2. Relative Intensity vs. Forward Current

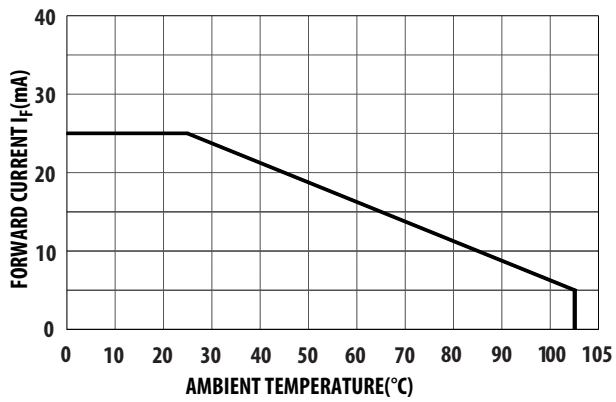


Figure 3. Allowable DC Current vs. Ambient Temperature



Figure 4. Forward Current vs. Forward Voltage

Intensity Bin Limits (mcd)

Yellow / Red / Orange / Green

| IV Bin Category | Min. | Max |
|-----------------|--------|--------|
| L | 3.401 | 5.400 |
| M | 5.401 | 8.600 |
| N | 8.601 | 13.700 |
| P | 13.701 | 21.800 |

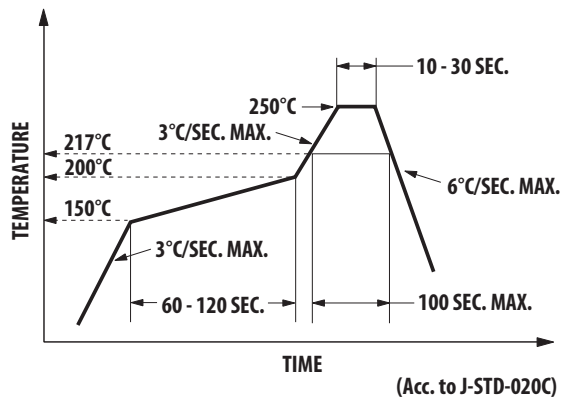
Tolerance: $\pm 15\%$

Notes:

- Bin categories are established for classification of products. Products may not be available in all categories. Please contact your Avago representative for information on currently available bins.

SMT Soldering Profile

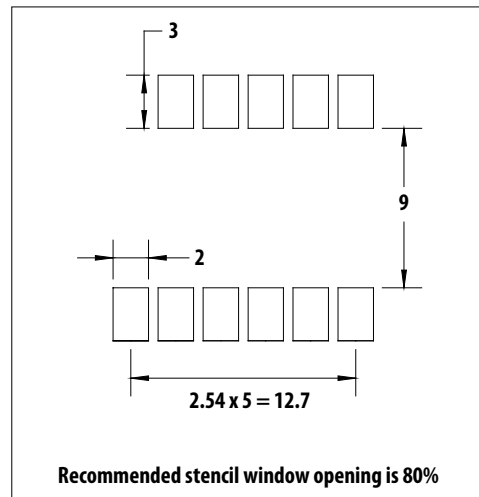
Pb free reflow soldering Profile



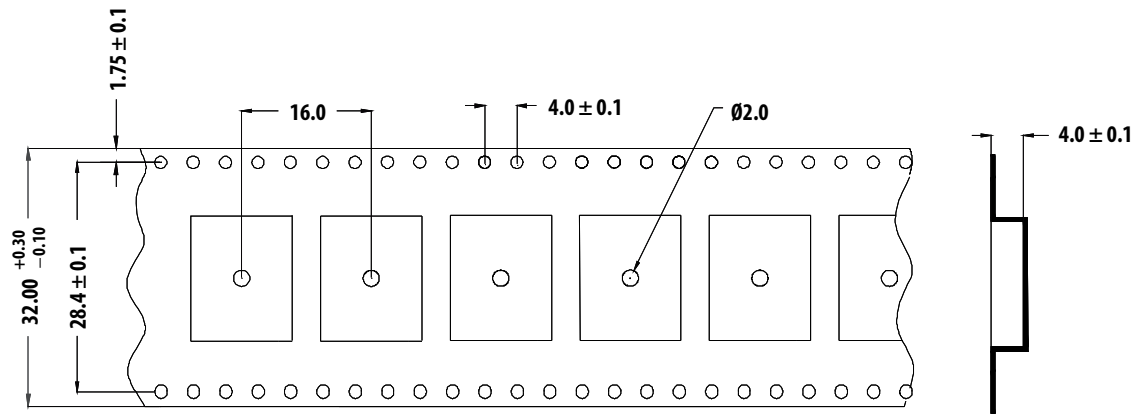
Notes:

- The peak temperature refers to the peak package body temperature.
- Number of reflow process shall be limited to maximum 2 times only. Cooling process to normal temperature is required between first and second soldering process.

Recommended soldering pattern (unit: mm)



Tape specification (unit: mm)



For product information and a complete list of distributors, please go to our web site: www.avagotech.com

Avago, Avago Technologies, and the A logo are trademarks of Avago Technologies in the United States and other countries. Data subject to change. Copyright © 2005-2011 Avago Technologies. All rights reserved. AV02-0981EN - March 17, 2011





Компания «ЭлектроПласт» предлагает заключение долгосрочных отношений при поставках импортных электронных компонентов на взаимовыгодных условиях!

Наши преимущества:

- Оперативные поставки широкого спектра электронных компонентов отечественного и импортного производства напрямую от производителей и с крупнейших мировых складов;
- Поставка более 17-ти миллионов наименований электронных компонентов;
- Поставка сложных, дефицитных, либо снятых с производства позиций;
- Оперативные сроки поставки под заказ (от 5 рабочих дней);
- Экспресс доставка в любую точку России;
- Техническая поддержка проекта, помощь в подборе аналогов, поставка прототипов;
- Система менеджмента качества сертифицирована по Международному стандарту ISO 9001;
- Лицензия ФСБ на осуществление работ с использованием сведений, составляющих государственную тайну;
- Поставка специализированных компонентов (Xilinx, Altera, Analog Devices, Intersil, Interpoint, Microsemi, Aeroflex, Peregrine, Syfer, Eurofarad, Texas Instrument, Miteq, Cobham, E2V, MA-COM, Hittite, Mini-Circuits, General Dynamics и др.);

Помимо этого, одним из направлений компании «ЭлектроПласт» является направление «Источники питания». Мы предлагаем Вам помощь Конструкторского отдела:

- Подбор оптимального решения, техническое обоснование при выборе компонента;
- Подбор аналогов;
- Консультации по применению компонента;
- Поставка образцов и прототипов;
- Техническая поддержка проекта;
- Защита от снятия компонента с производства.



Как с нами связаться

Телефон: 8 (812) 309 58 32 (многоканальный)

Факс: 8 (812) 320-02-42

Электронная почта: org@eplast1.ru

Адрес: 198099, г. Санкт-Петербург, ул. Калинина, дом 2, корпус 4, литера А.