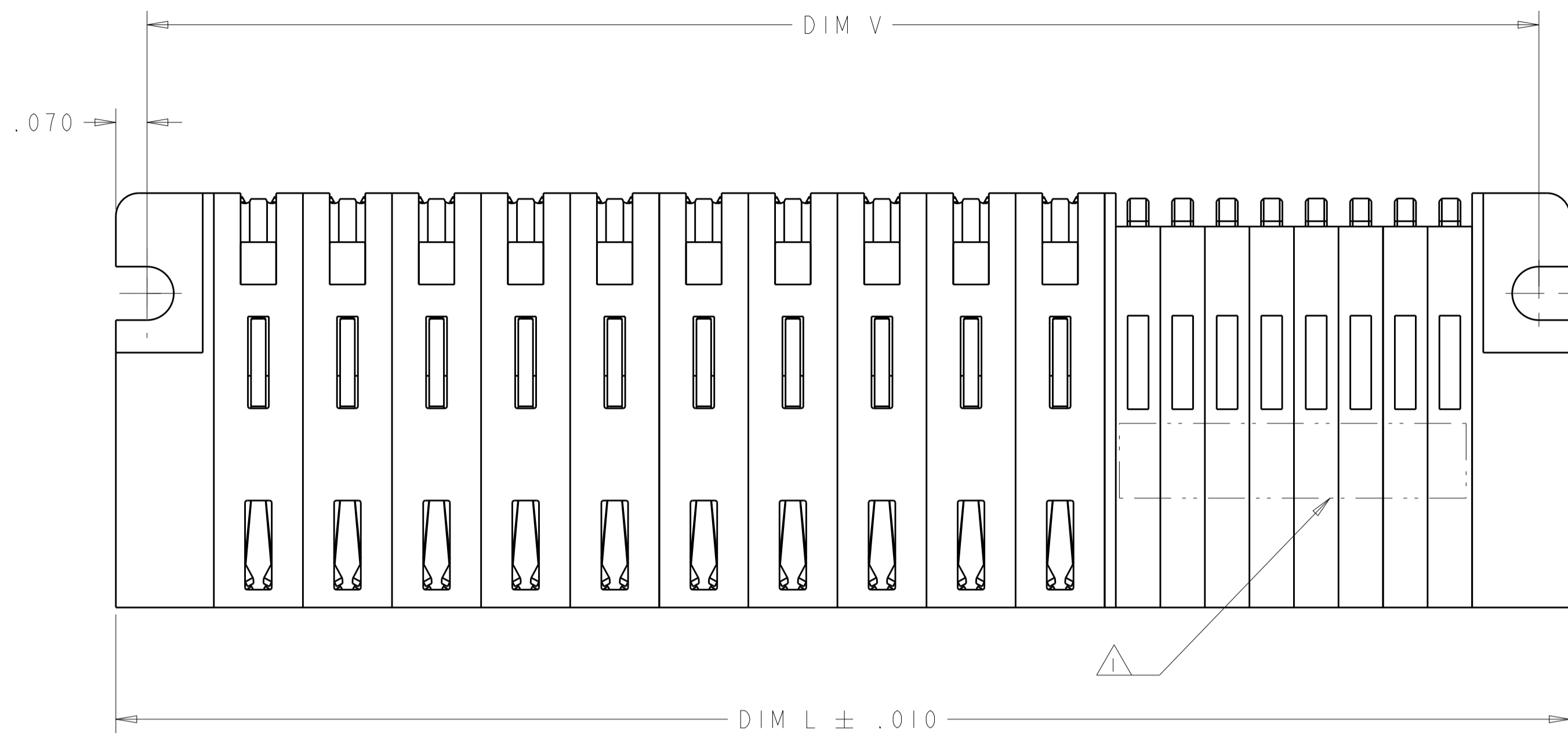
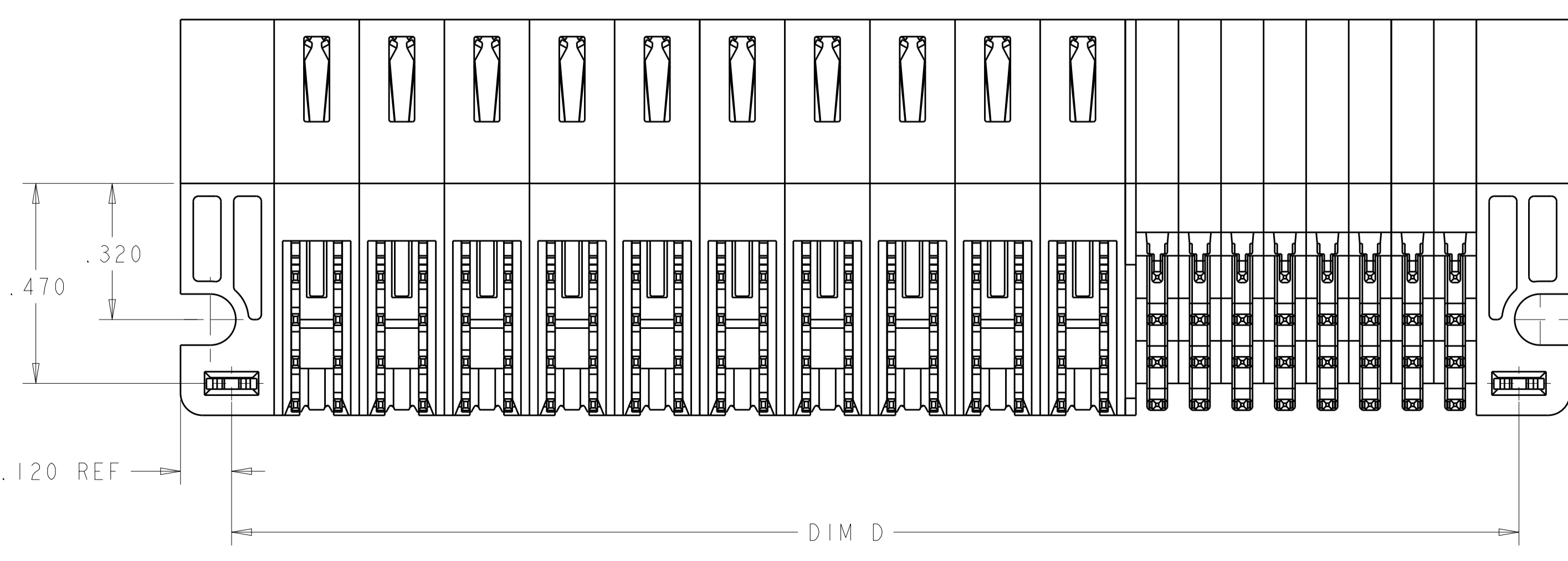
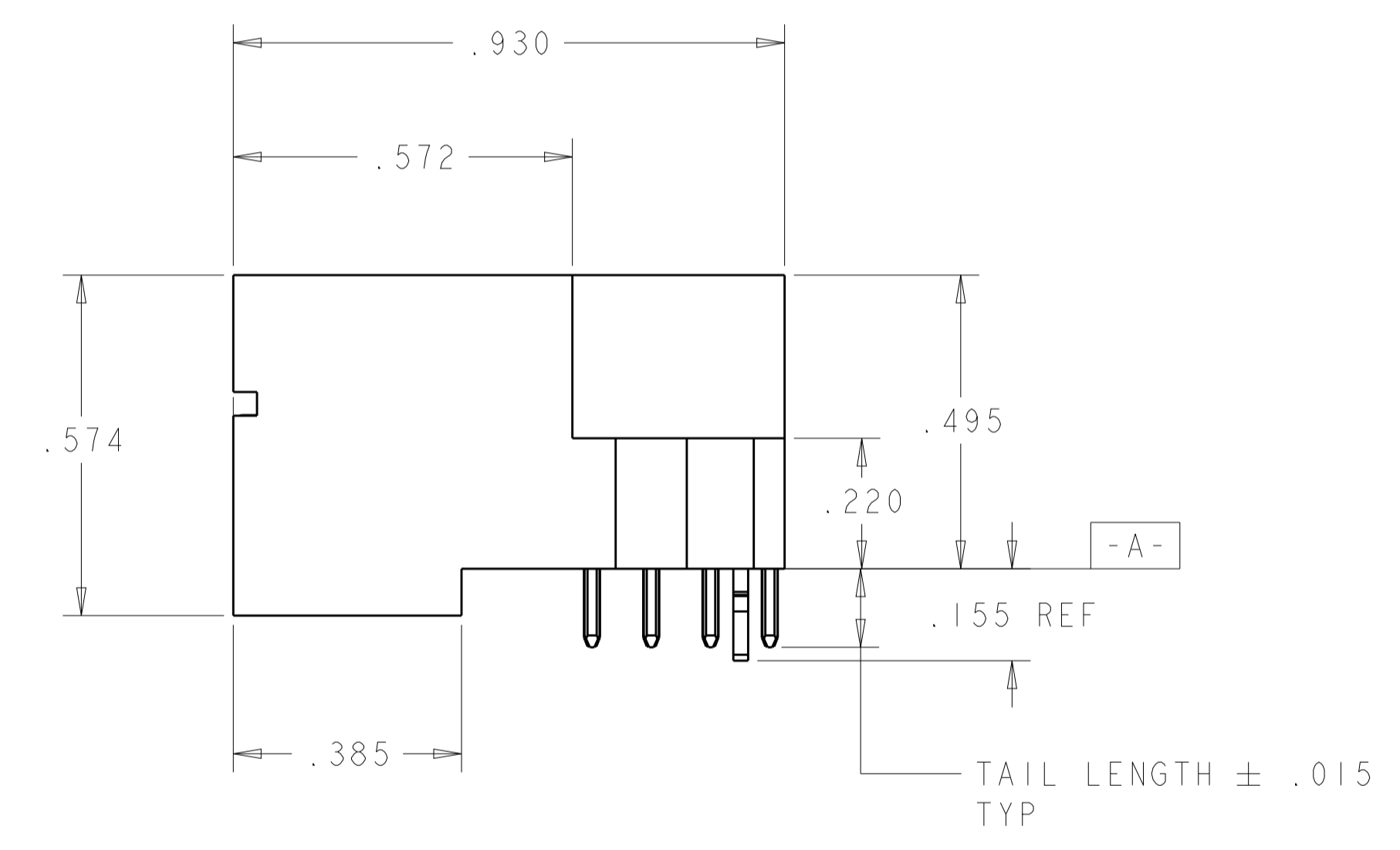
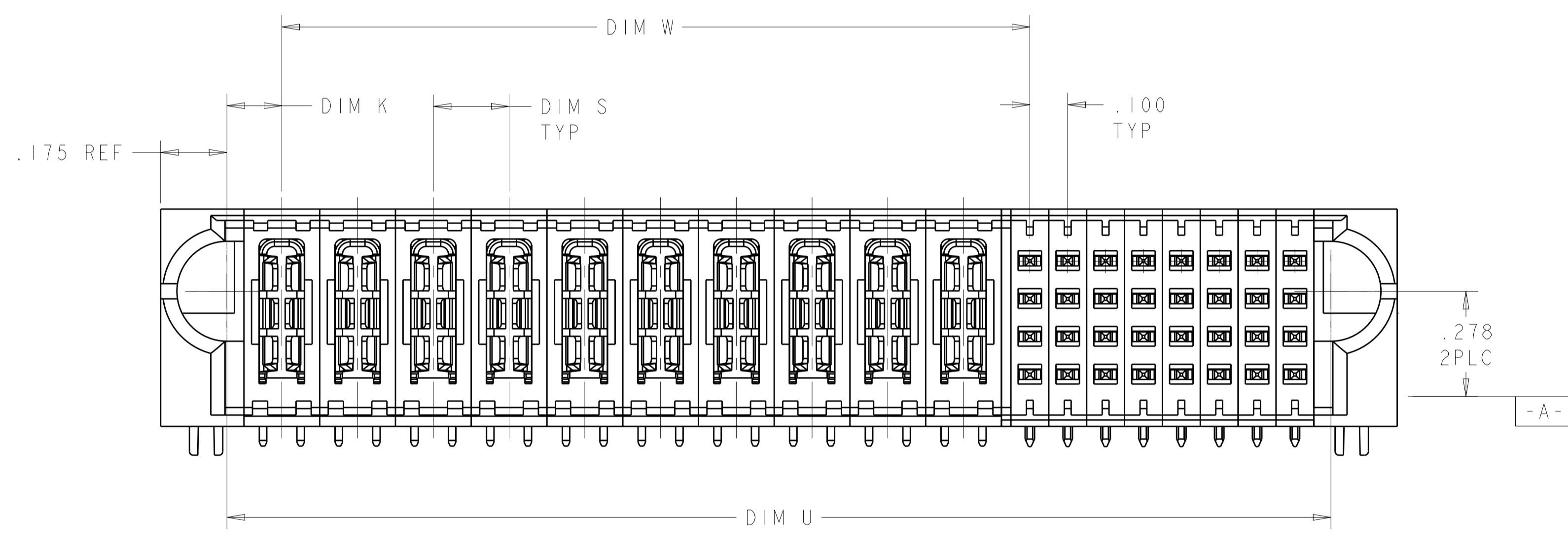


LOC	DIST	REVISIONS			
P	LTN	DESCRIPTION	DATE	DMN	APVD
K4		REVISED 4-7 BY CUSTOMER	18MAY2015	CZ	SZ
K5		REVISED 4-7 SIGNAL PINS BY CUSTOMER	09JUN2015	CZ	SZ
K6		REV PER ECO-17-001490	12DEC2016	CZ	SZ



- 1 "AMP", PART NUMBER AND DATE CODE TO BE MARKED IN AREA SHOWN PARTS UNDER 2.00" LONG MAY BE MARKED ON BOTH SIDES
- 2 MATERIAL:
HOUSING - GLASS FILLED HIGH TEMP THERMO PLASTIC, UL94 V-0
SIGNAL CONTACT - COPPER ALLOY
POWER CONTACT - HIGH CONDUCTIVITY COPPER ALLOY
- 3 CONTACT PLATING: NOBLE METAL PLATING ON CONTACT FUNCTIONAL AREA OF SIGNAL CONTACTS AND POWER CONTACTS.
- 4 MECHANICAL CONNECTOR KEEP OUT ZONE
- 5 DATUM AND BASIC DIMENSIONS ESTABLISHED BY CUSTOMER
- 6 PCB - ALL HOLE DIAMETERS ARE FINISHED HOLE SIZES
- 7 PCB - 0.0453 ± .0010 DRILLED HOLES PLATED WITH .0003 MIN Sn OVER .001 TO .003 Cu PLATING TO ACHIEVE A .040 ± .030 HOLE
- 8 FOR CONFIGURATION "L/P", "P/LP/S", PLEASE REFER TO SHEET 3.
- 9 VARIABLE DIMENSIONS PLEASE SEE PART TABLE.



THIS DRAWING IS A CONTROLLED DOCUMENT.		DMN: H. LIU 27MAY2008	TE Connectivity
DIMENSIONS: INCHES		CHK: S. ZHAO 27MAY2008	
TOLERANCES UNLESS OTHERWISE SPECIFIED:		APVD: S. ZHAO	NAME: R/A HEADER WITH SHORT GUIDES AND LP CONTACTS ASSEMBLY MULTI-BEAM XLE
0 PLC ± .01	1 PLC ± .01	PRODUCT SPEC: 108-2292	SIZE: A1
2 PLC ± .005	3 PLC ± .0020	APPLICATION SPEC: 114-13251	CAGE CODE: 6450832
4 PLC ± .0020	ANGLES ± 30°	WEIGHT: -	RESTRICTED TO: -
MATERIAL: 2	FINISH: 3	CUSTOMER DRAWING	SCALE: 2:1 SHEET 1 OF 24 REV: K6

LOC		DIST		REVISIONS			
P	LTN	DESCRIPTION		DATE	OWN	APVD	
-	-	SEE SHEET 1		-	-	-	

$\triangle 9$	4.640	4.500	4.290	4.400	2.550	.145	5P + 2HDP + 4P + 64S	5-6450832-9
$\triangle 9$	5.290	5.150	4.940	5.050	4.050	.195	15P + 28S	4-6450832-7
.200	2.965	2.825	2.615	2.725	1.975	.145	10HDP + 20S	4-6450832-6
$\triangle 9$	2.090	1.950	1.740	1.850	1.000	.145	5HDP + 24S	4-6450832-5
.200	1.990	1.850	1.640	1.750	.975	.170	5HDP + 20S	4-6450832-4
$\triangle 9$	3.790	3.650	3.440	3.550	2.625	.170	12P + 24S	4-6450832-3
.250	3.240	3.100	2.890	3.000	1.925	.170	8P + 32S	4-6450832-2
.250	3.240	3.100	2.890	3.000	1.925	.170	8P + 32S	4-6450832-1
.350	1.565	1.325	1.215	1.425	.975	.145	3P + 4S	4-6450832-0
.250	3.040	2.900	2.690	2.800	1.925	.170	8HDP + 24S	3-6450832-9
$\triangle 9$	2.965	2.825	2.615	2.725	1.825	.195	3ACP + 4P + 24S	3-6450832-8
$\triangle 9$	5.290	5.150	4.940	5.050	4.050	.195	15P + 28S	3-6450832-6
.200	1.990	1.850	1.640	1.750	.975	.170	5HDP + 20S	3-6450832-5
.250	3.090	2.950	2.740	2.850	1.950	.170	8P + 24S	3-6450832-4
$\triangle 9$	4.640	4.500	4.290	4.400	2.550	.145	5P + 2HDP + 4P + 64S	3-6450832-3
.200	3.265	3.125	2.915	3.025	2.175	.145	11HDP + 24S	3-6450832-2
.115 $\triangle 8$.945	.805	.595	.705	.2725 $\triangle 8$.1025 $\triangle 8$	2LP + 8S	3-6450832-1
.375	2.240	2.100	1.890	2.000	1.500	.170	4ACP + 8S	3-6450832-0
.200	3.265	3.125	2.915	3.025	2.175	.145	11HDP + 24S	2-6450832-8
.200	3.065	2.925	2.715	2.825	1.975	.145	10HDP + 24S	2-6450832-7
.200	2.240	2.100	1.890	2.000	1.150	.145	6HDP + 24S	2-6450832-6
$\triangle 8$	2.420	2.280	2.070	2.180	1.330	.145	5P + 2LP + 24S	2-6450832-5
$\triangle 8$	3.065	2.925	2.715	2.825	1.525	.195	4P + 40S	2-6450832-4
$\triangle 8$	4.015	3.875	3.665	3.775	3.075	.195	3ACP + 9P + 16S	2-6450832-3
.250	2.415	2.275	2.065	2.175	1.425	.145	6P + 20S	2-6450832-2
$\triangle 8$	2.420	2.280	2.070	2.180	1.330	.145	5P + 2LP + 24S	2-6450832-0
.250	3.790	3.650	3.440	3.550	2.675	.170	11P + 24S	1-6450832-9
$\triangle 8$	3.740	3.600	3.390	3.500	2.625	.170	3ACP + 8P + 24S	1-6450832-7
$\triangle 8$	3.790	3.650	3.440	3.550	2.700	.145	13P + 24S	1-6450832-6
.250	1.490	1.350	1.140	1.250	.675	.170	3P + 12S	1-6450832-4
.250	1.565	1.425	1.215	1.325	.425	.170	2P + 24S	1-6450832-2
.250	3.790	3.650	3.440	3.550	2.900	.145	12P + 16S	1-6450832-0
$\triangle 8$	1.590	1.450	1.240	1.350	.650	.170	2P + 8S	6450832-9
.115 $\triangle 8$.970	.830	.620	.730	.2725 $\triangle 8$.1275 $\triangle 8$	2LP + 8S	6450832-8
$\triangle 8$	3.740	3.600	3.390	3.500	2.625	.170	3ACP + 8P + 24S	6450832-7
.200	3.065	2.925	2.715	2.825	1.975	.145	10HDP + 24S	6450832-5
.200	3.065	2.925	2.715	2.825	1.975	.145	10HDP + 24S	6450832-4
.250	2.565	2.425	2.215	2.325	1.425	.170	6P + 24S	6450832-3
$\triangle 8$	2.575	2.435	2.225	2.335	1.460 $\triangle 8$.170 $\triangle 8$	4P + 4LP + 24S	6450832-2
.200	3.265	3.125	2.915	3.025	1.975	.145	10HDP + 32S	6450832-1
DIM S	DIM L	DIM V	DIM U	DIM D	DIM W	DIM K	DESCRIPTION	PART NUMBER

VIEW IN SHEET 6

THIS DRAWING IS A CONTROLLED DOCUMENT. DWN 27MAY2008
CHK H. LIU
S. ZHAO 27MAY2008

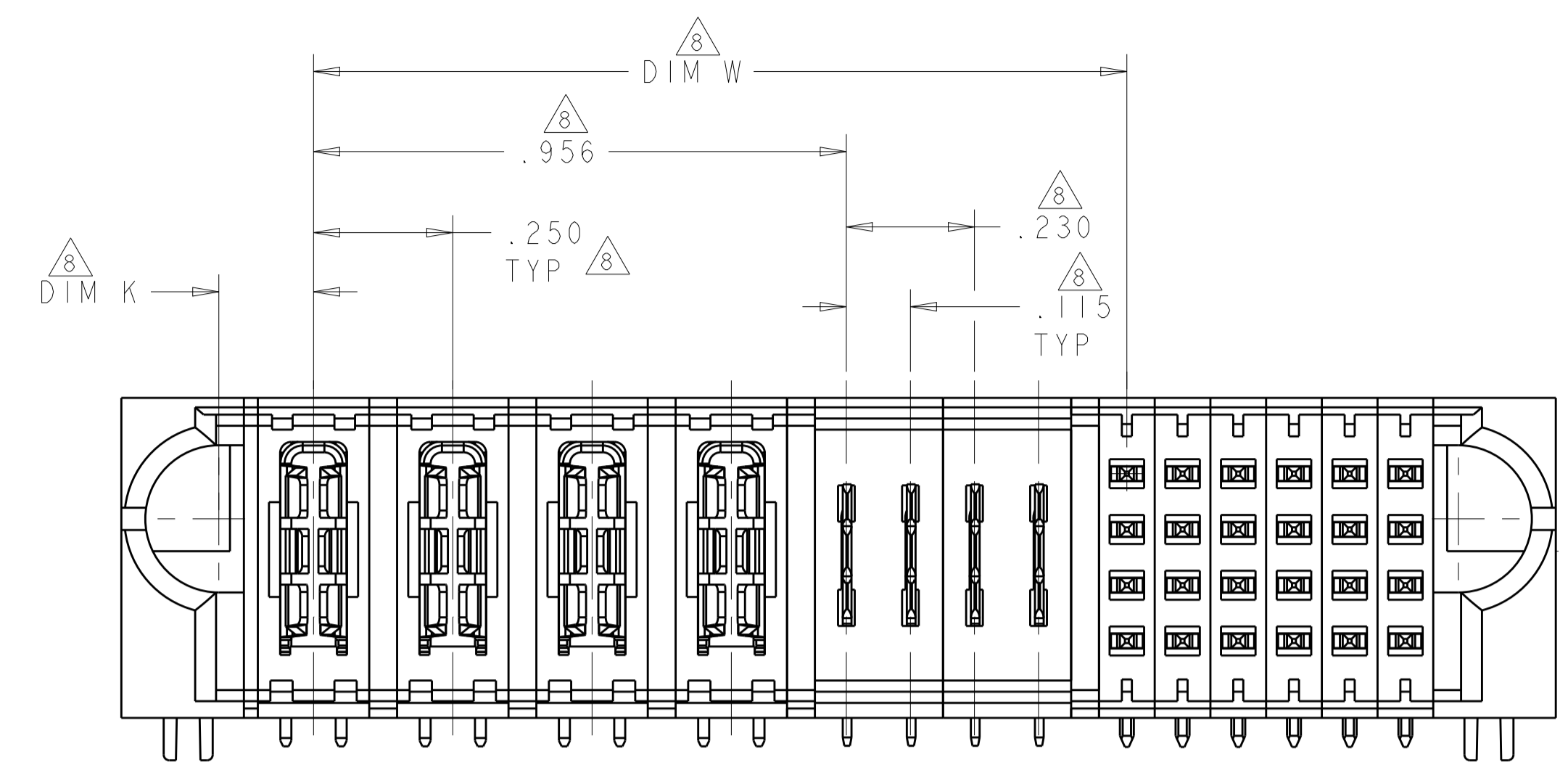
DIMENSIONS: INCHES TOLERANCES UNLESS OTHERWISE SPECIFIED:
0 PLC ±.
1 PLC ±.01
2 PLC ±.01
3 PLC ±.005
4 PLC ±.002
ANGLES ±.002

MATERIAL FINISH

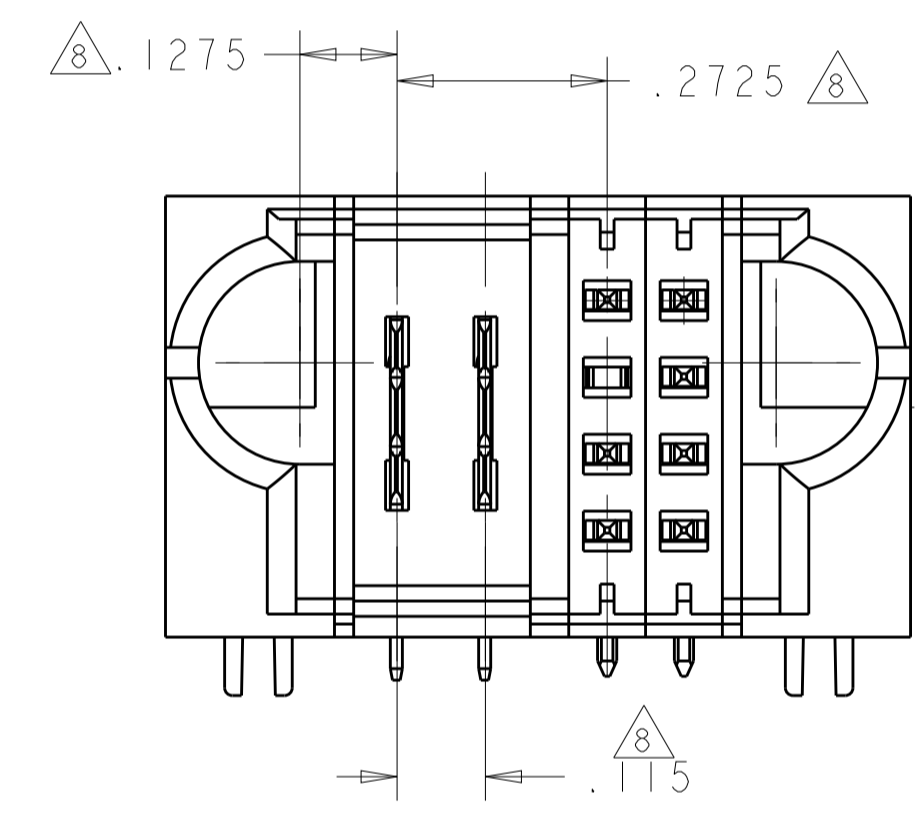
APVD S. ZHAO
NAME R/A HEADER WITH SHORT GUIDES AND LP CONTACTS ASSEMBLY MULTI-BEAM XLE
PRODUCT SPEC 108-2292
APPLICATION SPEC
SIZE 114-13251
WEIGHT
CUSTOMER DRAWING

SCALE 4:1 SHEET 2 OF 24 REV K6

LOC		DIST		REVISIONS			
P	LTN	DESCRIPTION	DATE	DWN	APVD		
-		SEE SHEET 1	-	-	-		



FOR P/N:6450832-2, OTHER DIMENSIONS PLEASE SEE TABLE

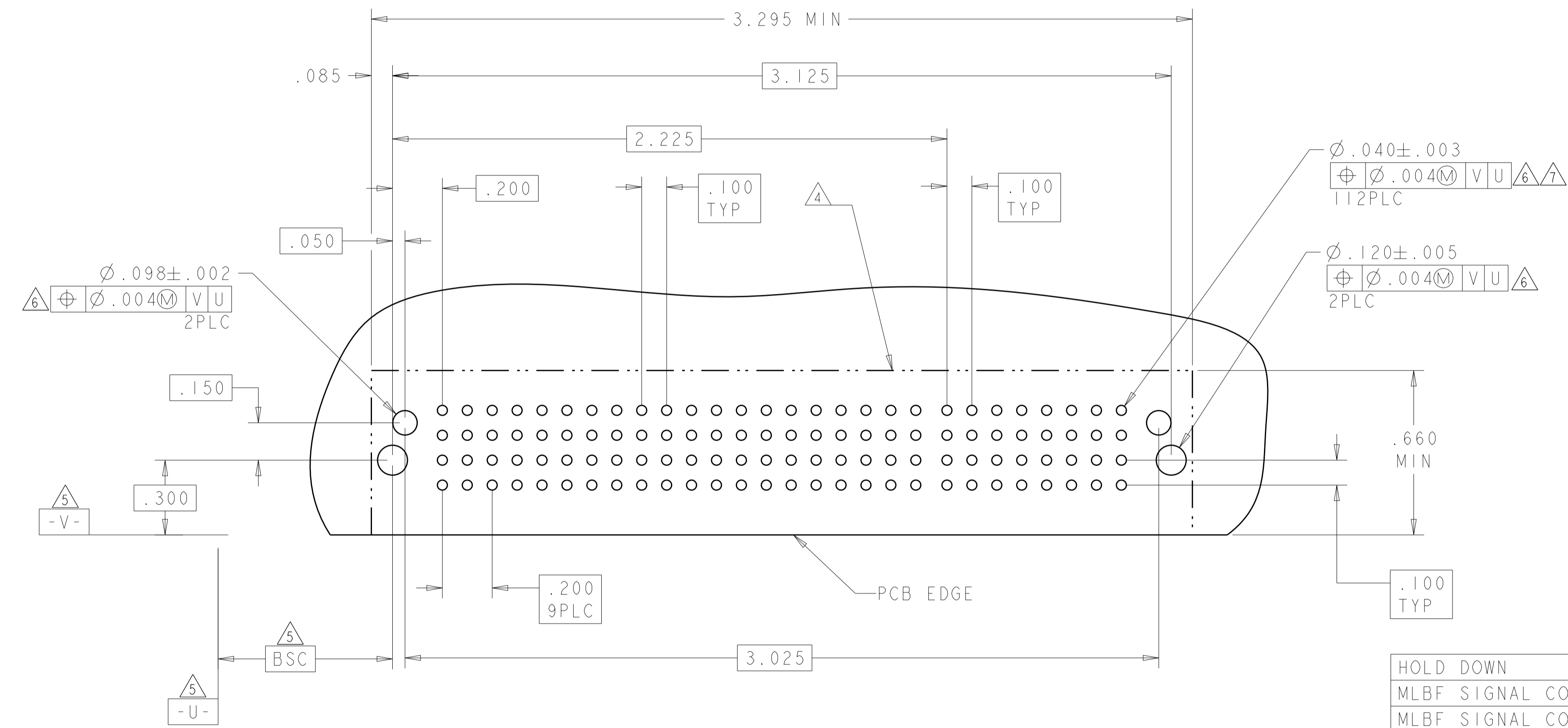


FOR P/N:6450832-8 AND 3-6450832-1, OTHER DIMENSIONS PLEASE SEE SHEET 1

THIS DRAWING IS A CONTROLLED DOCUMENT.		DWN H. LIU 27MAY2008	
		CHK S. ZHAO 27MAY2008	
DIMENSIONS:	TOLERANCES UNLESS OTHERWISE SPECIFIED:	APVD S. ZHAO	NAME R/A HEADER WITH SHORT GUIDES AND LP CONTACTS ASSEMBLY MULTI-BEAM XLE
INCHES	0 PLC ±. 1 PLC ±.01 2 PLC ±.01 3 PLC ±.005 4 PLC ±.0020	PRODUCT SPEC 108-2292	SIZE A100779C=6450832
	ANGLES ±.2°	APPLICATION SPEC 114-13251	RESTRICTED TO
MATERIAL	FINISH	WEIGHT	SCALE 4:1 SHEET 3 OF 24 REV K6
CUSTOMER DRAWING			

LOC		DIST		REVISIONS			
P	LTN	DESCRIPTION	DATE	DMN	APVD		
-	-	SEE SHEET 1	-	-	-	-	-

PART NUMBER	ROWS	POWER										SIGNAL							
		P1	P2	P3	P4	P5	P6	P7	P8	P9	P10	1	2	3	4	5	6	7	8
6450832-1	D C B A	TM	TM	TM	TM	TM	TM	TM	TM	TM	TM	J	J	J	J	J	J	J	J
		TM	TM	TM	TM	TM	TM	TM	TM	TM	TM	K	K	K	K	K	K	K	K
		TM	TM	TM	TM	TM	TM	TM	TM	TM	TM	N	N	N	N	N	G	N	N
		TM	TM	TM	TM	TM	TM	TM	TM	TM	TM	S	S	S	S	S	S	S	S
10HDP + 32S		HD		HD		HD		HD		HD		HD		HD		HD		HD	



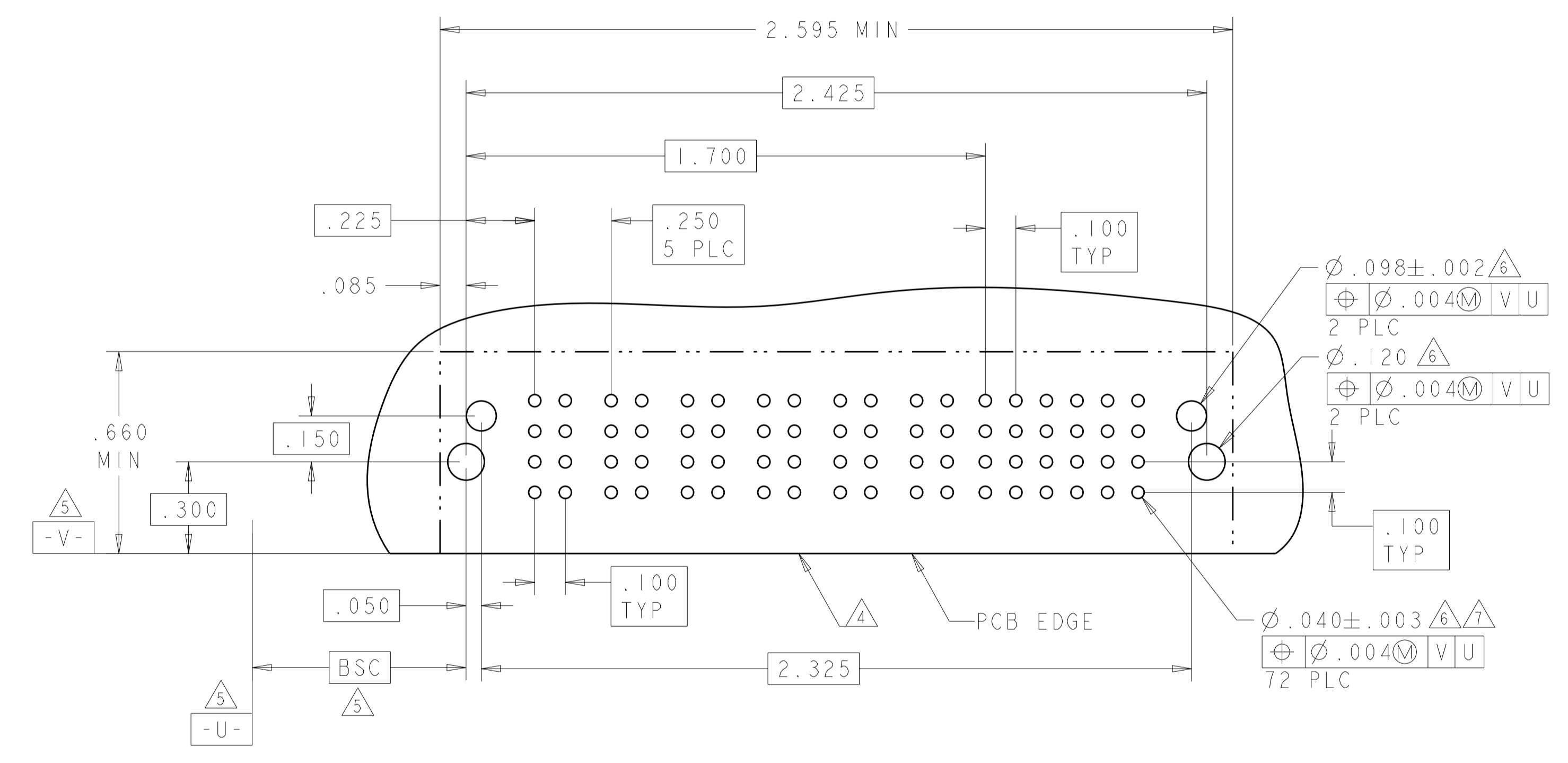
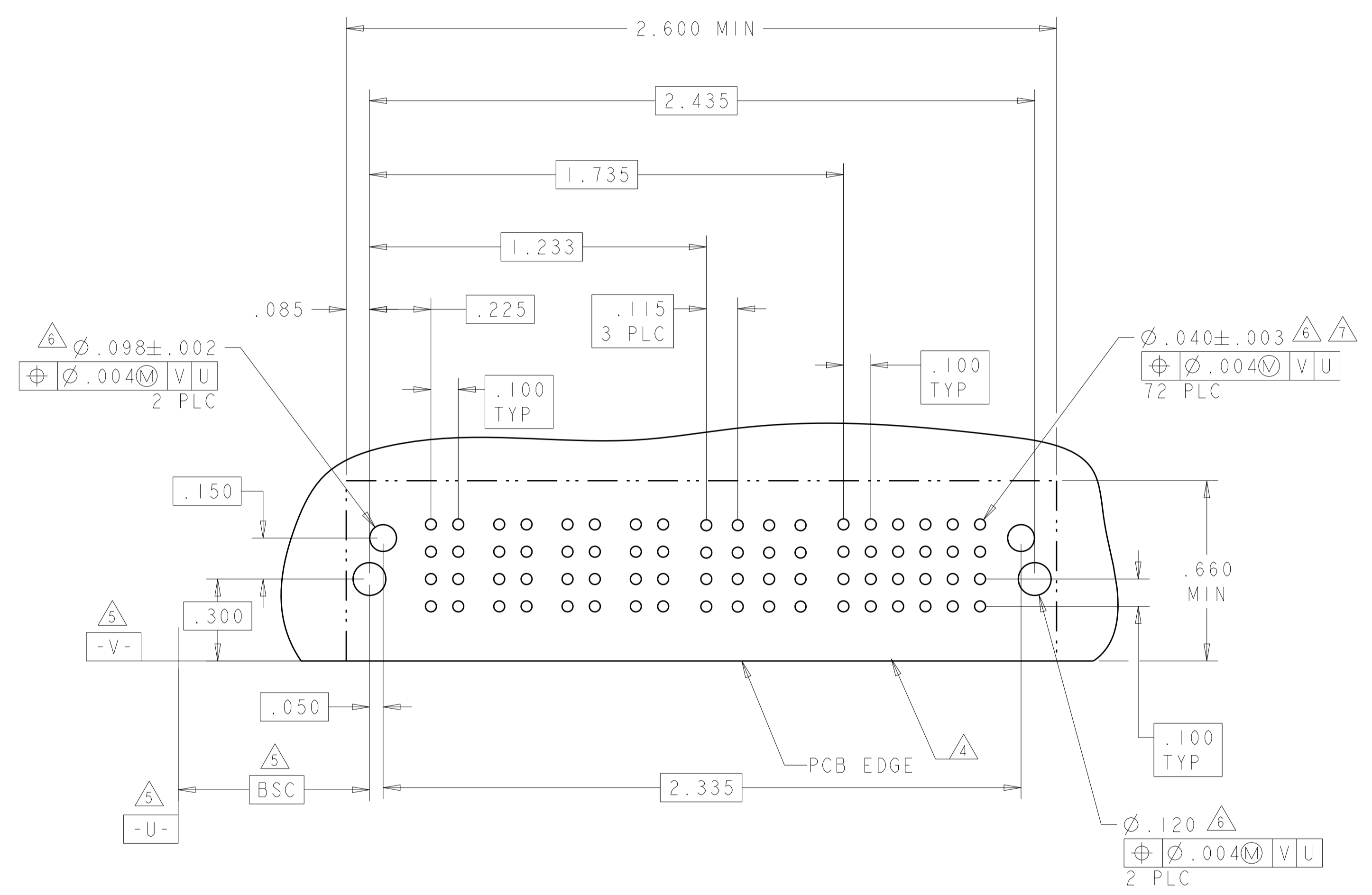
DESCRIPTION	IDENTIFIER
HOLD DOWN	HD
MLBF SIGNAL CONTACT, .135 TAIL LENGTH, ROW D	E
MLBF SIGNAL CONTACT, .135 TAIL LENGTH, ROW C	F
MLBF SIGNAL CONTACT, .135 TAIL LENGTH, ROW B	G
MLBF SIGNAL CONTACT, .135 TAIL LENGTH, ROW A	H
MFBL SIGNAL CONTACT, .135 TAIL LENGTH, ROW D	FJ
MFBL SIGNAL CONTACT, .135 TAIL LENGTH, ROW C	FK
MFBL SIGNAL CONTACT, .135 TAIL LENGTH, ROW B	FN
MFBL SIGNAL CONTACT, .135 TAIL LENGTH, ROW A	FS
STANDARD SIGNAL CONTACT, .135 TAIL LENGTH, ROW D	J
STANDARD SIGNAL CONTACT, .135 TAIL LENGTH, ROW C	K
STANDARD SIGNAL CONTACT, .135 TAIL LENGTH, ROW B	N
STANDARD SIGNAL CONTACT, .135 TAIL LENGTH, ROW A	S
MFBL LOWER POWER CONTACT, .135 TAIL LENGTH.	LMF
STD LOWER POWER CONTACT, .135 TAIL LENGTH	LM
3-BEAM POWER CONTACT, .135 TAIL LENGTH	TM

THIS DRAWING IS A CONTROLLED DOCUMENT.		DMN	H.LIU	27MAY2008
DIMENSIONS:		CHK	S.ZHAO	27MAY2008
INCHES		APVD	S.ZHAO	-
TOLERANCES UNLESS OTHERWISE SPECIFIED:		NAME	R/A HEADER WITH SHORT GUIDES AND LP CONTACTS ASSEMBLY MULTI-BEAM XLE	
0 PLC	±	PRODUCT SPEC	108-2292	
1 PLC	±.01	APPLICATION SPEC	114-13251	
2 PLC	±.05	SIZE	A100779	
3 PLC	±.0020	CAGE CODE	C=6450832	
4 PLC	±.0020	DRAWING NO	114-13251	
ANGLES	±.0020	WEIGHT	-	
FINISH	±.0020	CUSTOMER DRAWING	SCALE 4:1 SHEET 4 OF 24 REV K6	

LOC	DIST	REVISIONS			
P	LTM	DESCRIPTION	DATE	DMN	APVD
-	-	SEE SHEET 1	-	-	-

PART NUMBER	ROWS	POWER								SIGNAL							
		P1	P2	P3	P4	P5	P6	P7	P8	1	2	3	4	5	6		
6450832-2	D	TM	TM	TM	TM	LM	LM	LM	LM	J	J	J	J	J	J		
	C									K	K	K	K	K	K		
	B									N	N	N	N	N	N		
	A									S	S	S	S	S	S		
4P + 4LP + 24S		HD															HD

PART NUMBER	ROWS	POWER						SIGNAL							
		P1	P2	P3	P4	P5	P6	1	2	3	4	5	6		
6450832-3	D	TM	TM	TM	TM	TM	TM	J	J	J	J	J	J		
	C							K	K	K	K	K	K		
	B							N	N	N	N	N	N		
	A							S	S	S	S	S	S		
6P + 24S		HD													HD



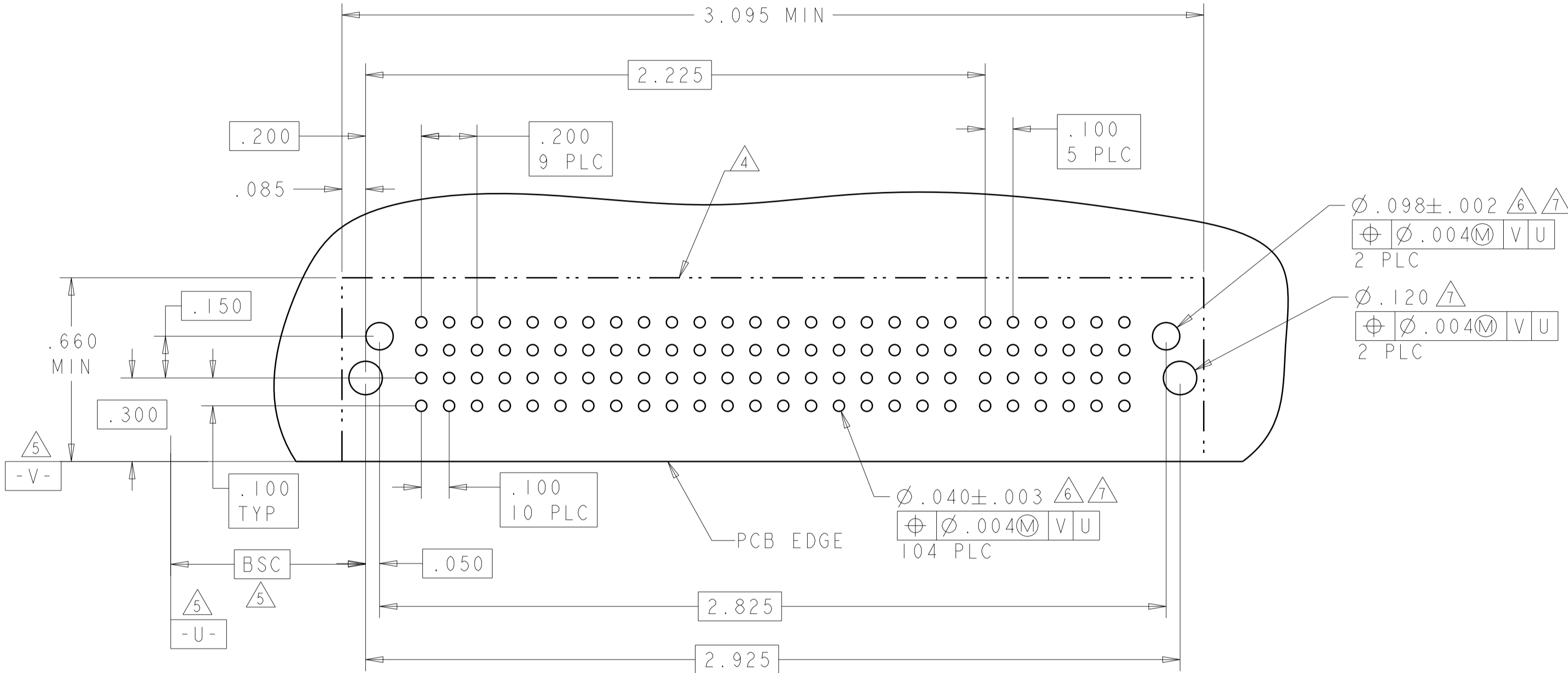
THIS DRAWING IS A CONTROLLED DOCUMENT.		DMN: H.LIU 27MAY2008	STE TE Connectivity
DIMENSIONS: INCHES		CHK: S.ZHAO 27MAY2008	
TOLERANCES UNLESS OTHERWISE SPECIFIED:		APVD: S.ZHAO	NAME: R/A HEADER WITH SHORT GUIDES AND LP CONTACTS ASSEMBLY MULTI-BEAM XLE
0 PLC ±.01		PRODUCT SPEC: 108-2292	SIZE: A1
1 PLC ±.01		APPLICATION SPEC: 114-13251	CAGE CODE: C=6450832
2 PLC ±.01		WEIGHT: -	SCALE: 4:1
3 PLC ±.005		CUSTOMER DRAWING	SHEET 5 OF 24
4 PLC ±.0020			REV: K6
ANGLES: ±.2°			

LOC	DIST	REVISIONS			
P	LTM	DESCRIPTION	DATE	OWN	APVD
-	-	SEE SHEET 1	-	-	-

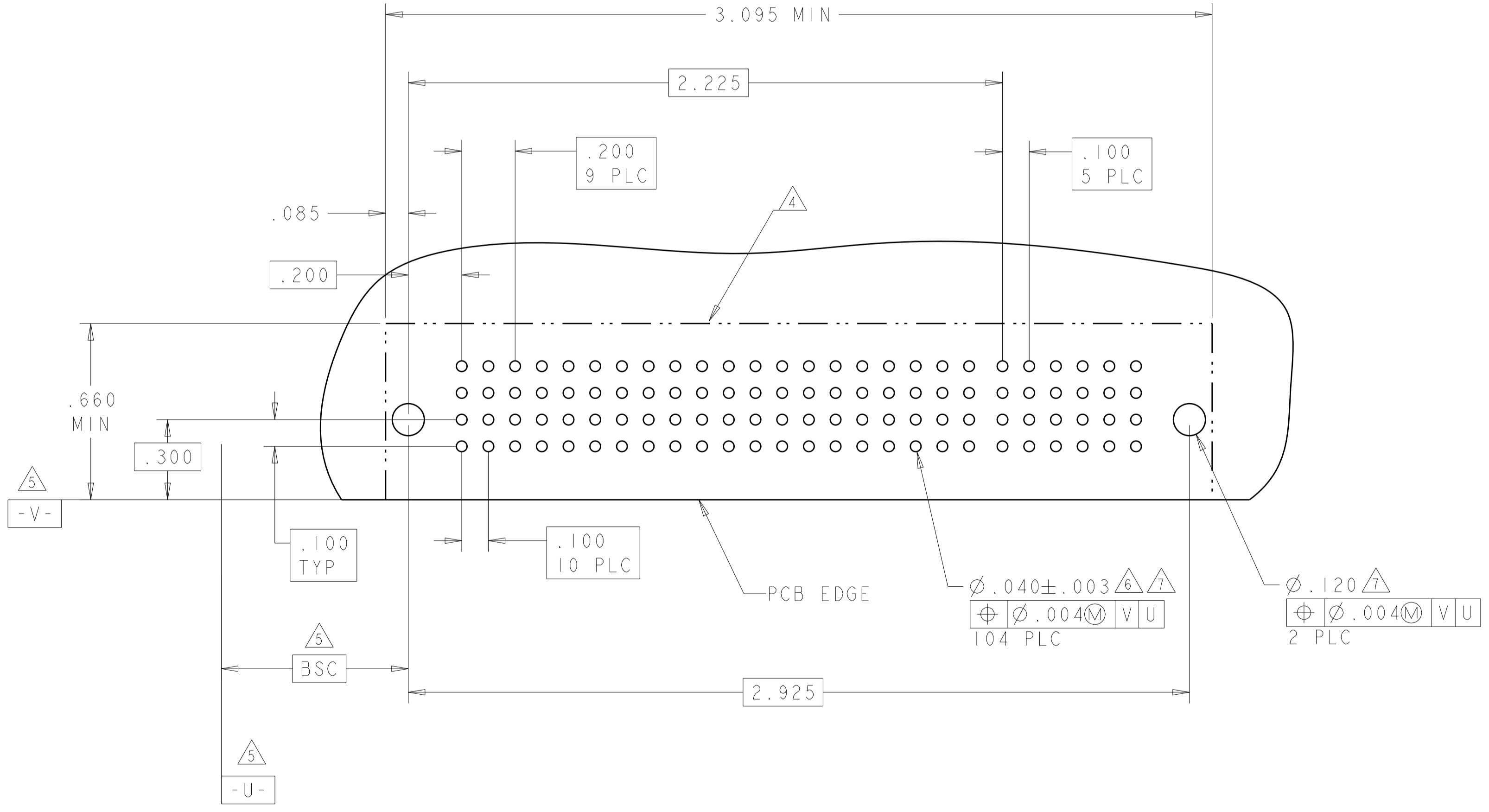
PART NUMBER	ROWS	POWER										SIGNAL					
		P1	P2	P3	P4	P5	P6	P7	P8	P9	P10	1	2	3	4	5	6
6450832-4	D C B A	TM	TM	TM	TM	TM	TM	TM	TM	TM	TM	J	J	J	J	J	J
		TM	TM	TM	TM	TM	TM	TM	TM	TM	TM	K	K	K	K	K	K
		TM	TM	TM	TM	TM	TM	TM	TM	TM	TM	N	N	N	N	N	N
10HDP + 24S											H	S	S	S	S	S	

PART NUMBER	ROWS	POWER										SIGNAL					
		P1	P2	P3	P4	P5	P6	P7	P8	P9	P10	1	2	3	4	5	6
6450832-5	D C B A	TM	TM	TM	TM	TM	TM	TM	TM	TM	TM	J	J	J	J	J	J
		TM	TM	TM	TM	TM	TM	TM	TM	TM	TM	K	K	K	K	K	K
		TM	TM	TM	TM	TM	TM	TM	TM	TM	TM	N	N	N	N	N	N
10HDP + 24S											H	S	S	S	S	S	

PART NUMBER	ROWS	POWER										SIGNAL					
		P1	P2	P3	P4	P5	P6	P7	P8	P9	P10	1	2	3	4	5	6
2-6450832-7	D C B A	TM	TM	TM	TM	TM	TM	TM	TM	TM	TM	J	J	J	J	J	J
		TM	TM	TM	TM	TM	TM	TM	TM	TM	TM	K	K	K	K	K	K
		TM	TM	TM	TM	TM	TM	TM	TM	TM	TM	N	N	N	N	N	N
10HDP + 24S											H	S	S	S	S	S	



$\varnothing .098 \pm .002$ 2 PLC
 $\varnothing .120$ 2 PLC
 $\varnothing .040 \pm .003$ 104 PLC
 $\varnothing .004$ 2 PLC



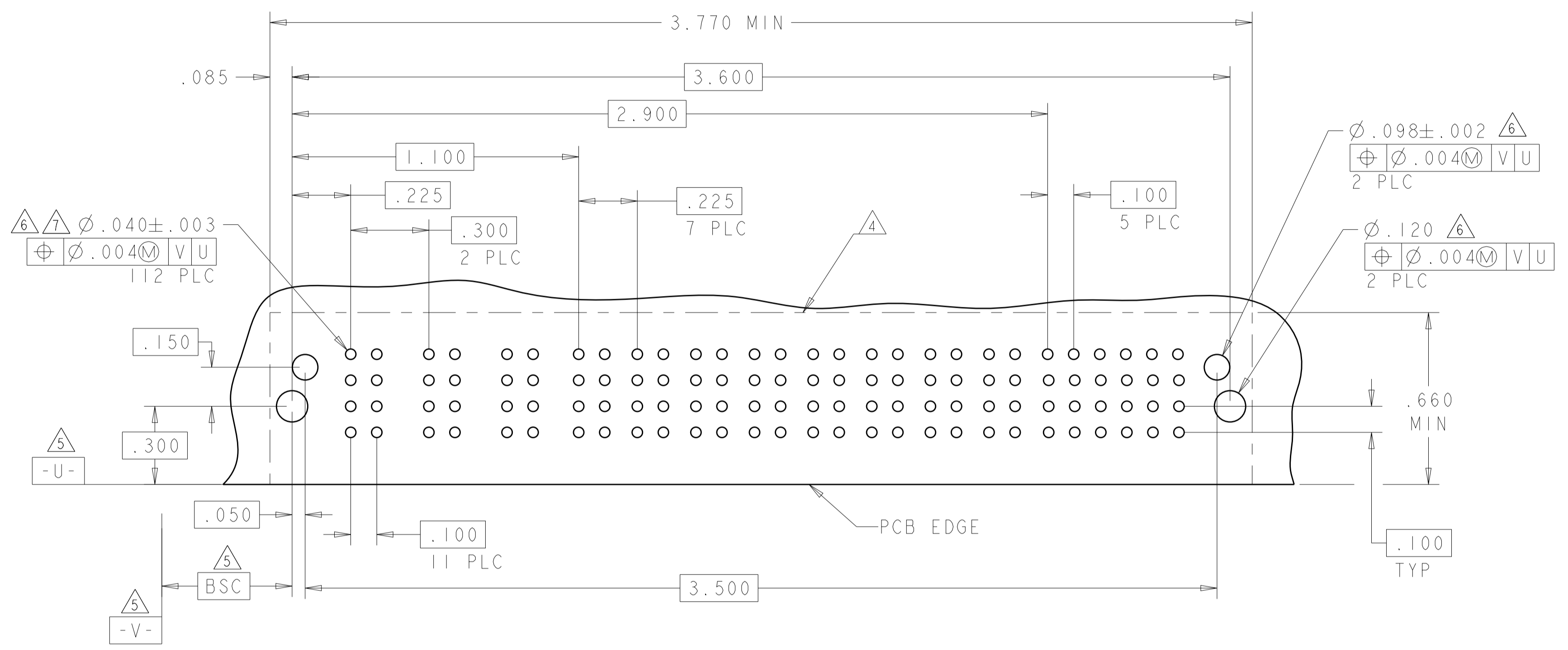
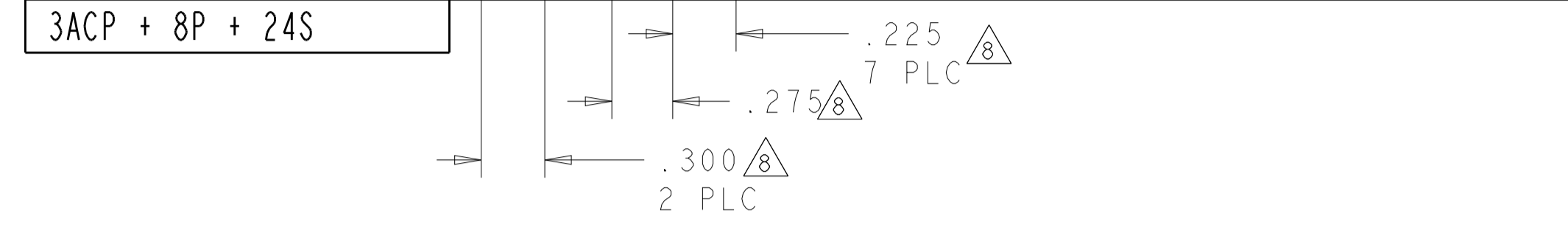
$\varnothing .040 \pm .003$ 104 PLC
 $\varnothing .120$ 2 PLC

PCB LAYOUT FOR P/N: 6450832-5 AND 2-6450832-7

THIS DRAWING IS A CONTROLLED DOCUMENT.		OWN: H.LIU 27MAY2008	TE Connectivity
DIMENSIONS: INCHES		CHK: S.ZHAO 27MAY2008	
TOLERANCES UNLESS OTHERWISE SPECIFIED: 0 PLC ±. 2 PLC ±.01 3 PLC ±.01 4 PLC ±.005 ANGLES ±.0020		APVD: S.ZHAO	NAME: R/A HEADER WITH SHORT GUIDES AND LP CONTACTS ASSEMBLY MULTI-BEAM XLE
MATERIAL: FINISH: *		PRODUCT SPEC: 108-2292	SIZE: CAGE CODE DRAWING NO: A100779C=6450832
		APPLICATION SPEC: 114-13251	RESTRICTED TO: -
		WEIGHT: -	CUSTOMER DRAWING
		SCALE: 4:1	SHEET 6 OF 24 REV: K6

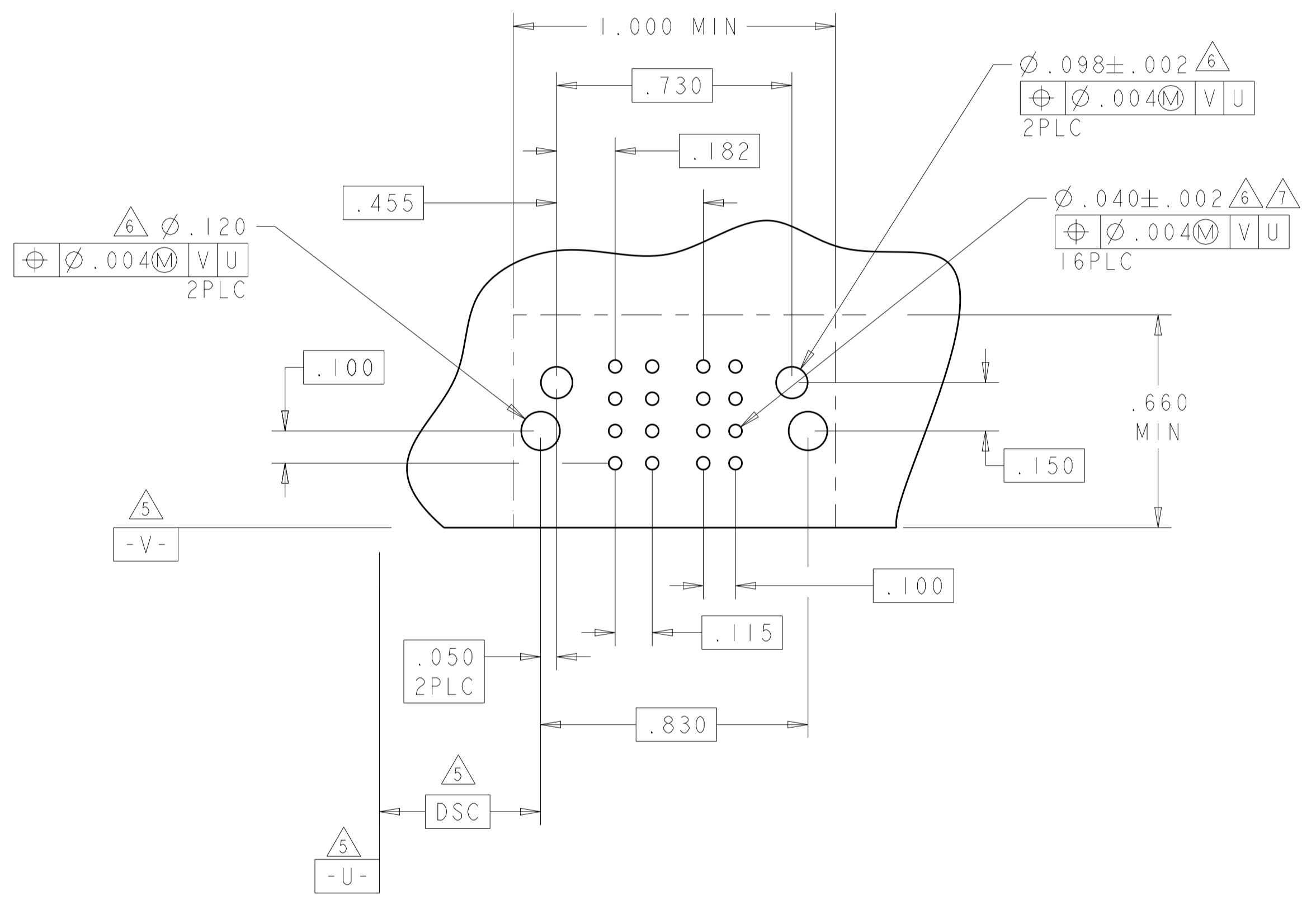
LOC		DIST		REVISIONS			
P	LTN	DESCRIPTION	DATE	DMN	APVD		
-	-	SEE SHEET 1	-	-	-		

PART NUMBER	ROWS	POWER											SIGNAL					
		P1	P2	P3	P4	P5	P6	P7	P8	P9	P10	P11	1	2	3	4	5	6
6450832-7	D C B A	TM	TM	TM	TM	TM	TM	TM	TM	TM	TM	TM	E	E	J	J	E	E
		TM	TM	TM	TM	TM	TM	TM	TM	TM	TM	TM	K	F	K	K	K	K
		TM	TM	TM	TM	TM	TM	TM	TM	TM	TM	TM	N	G	G	G	G	G
		TM	TM	TM	TM	TM	TM	TM	TM	TM	TM	TM	S	S	S	S	S	S



PART NUMBER	ROWS	POWER		SIGNAL	
		P1	P2	1	2
6450832-8	D C B A	LMF	LM	E	E
		LMF	LM	F	F
		LMF	LM	G	G
		LMF	LM	H	H

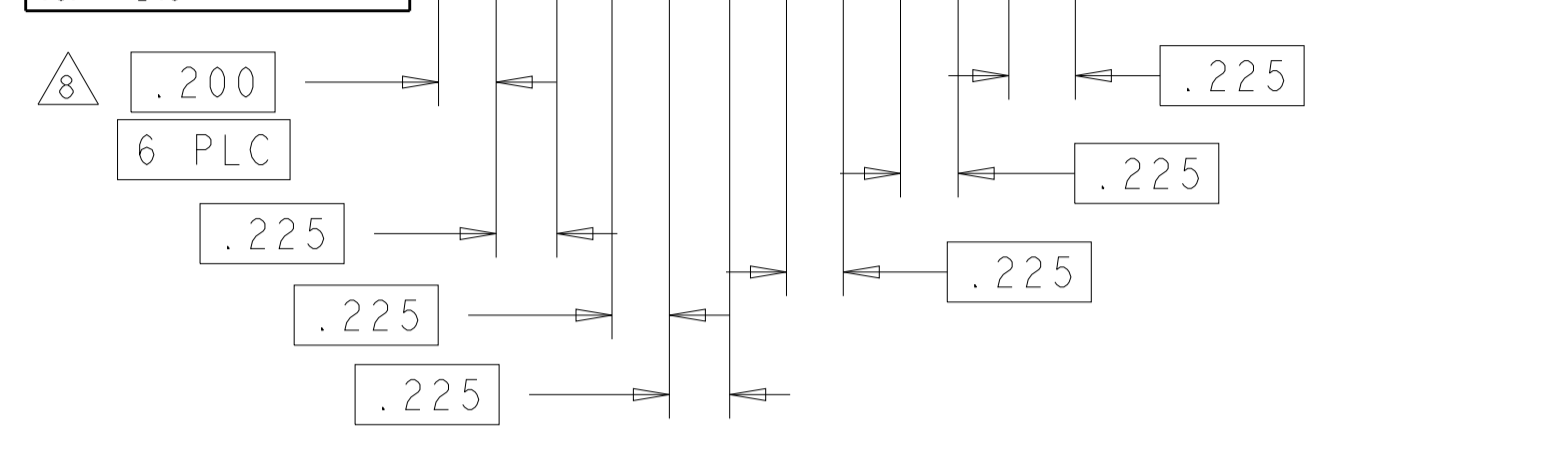
2LP + 8S



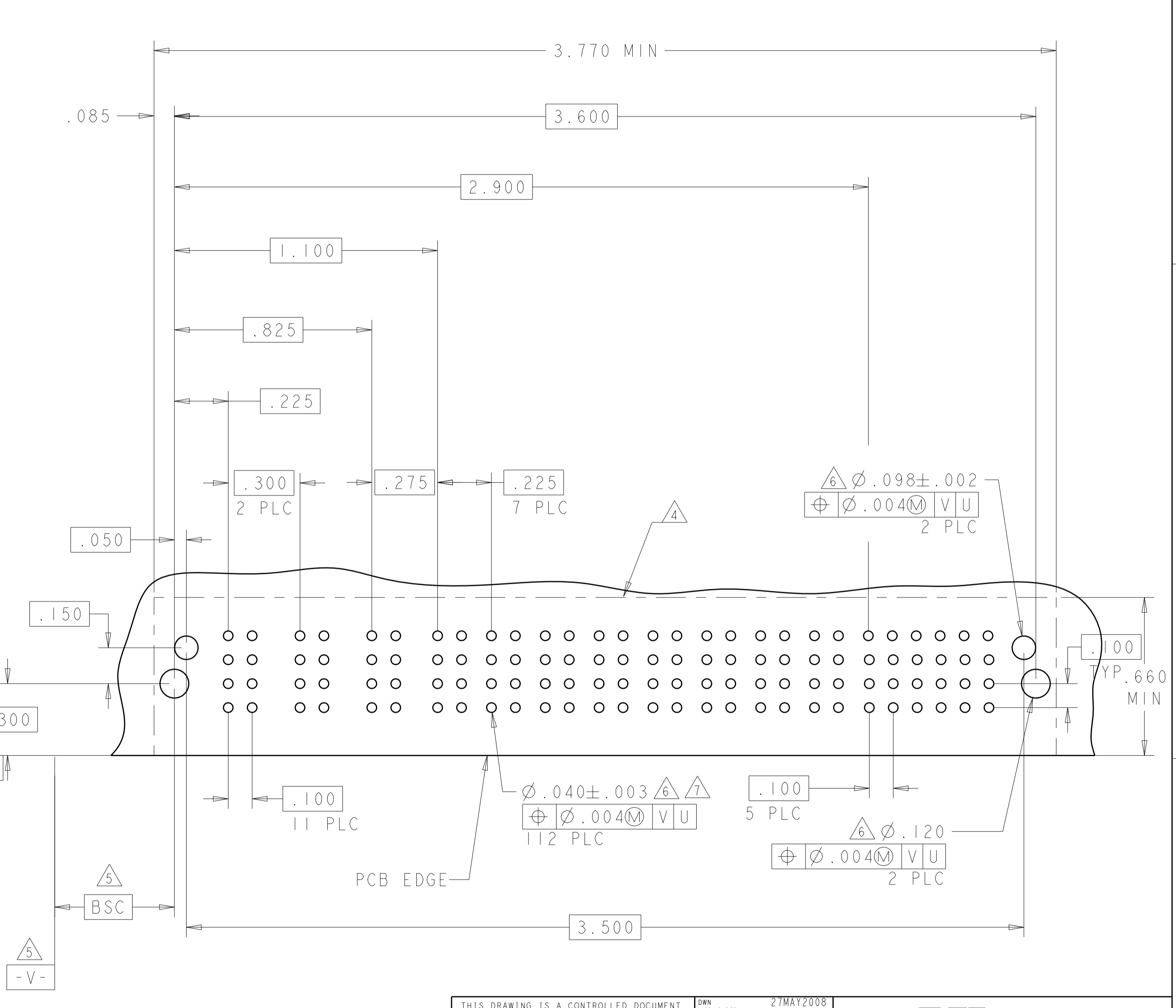
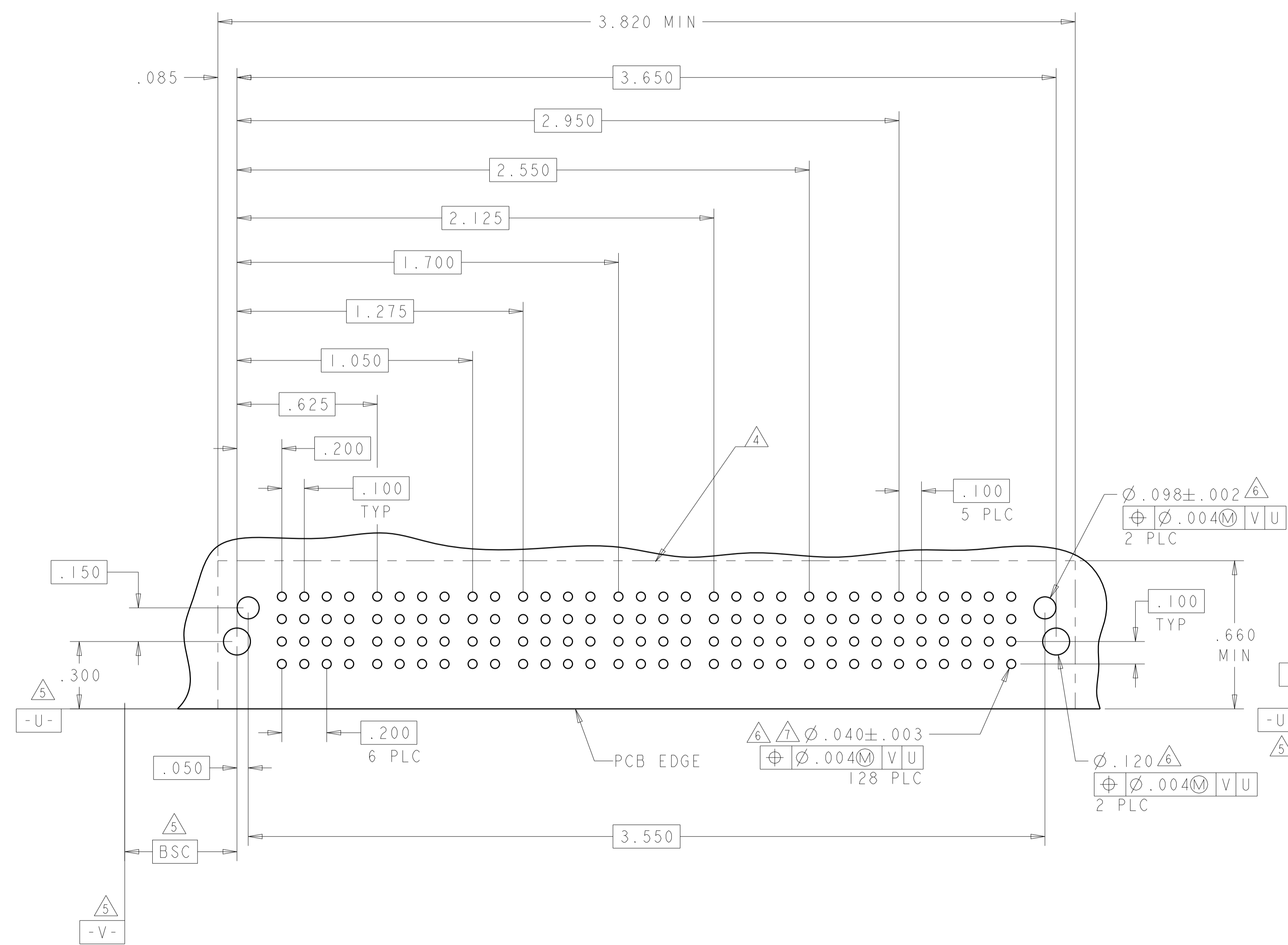
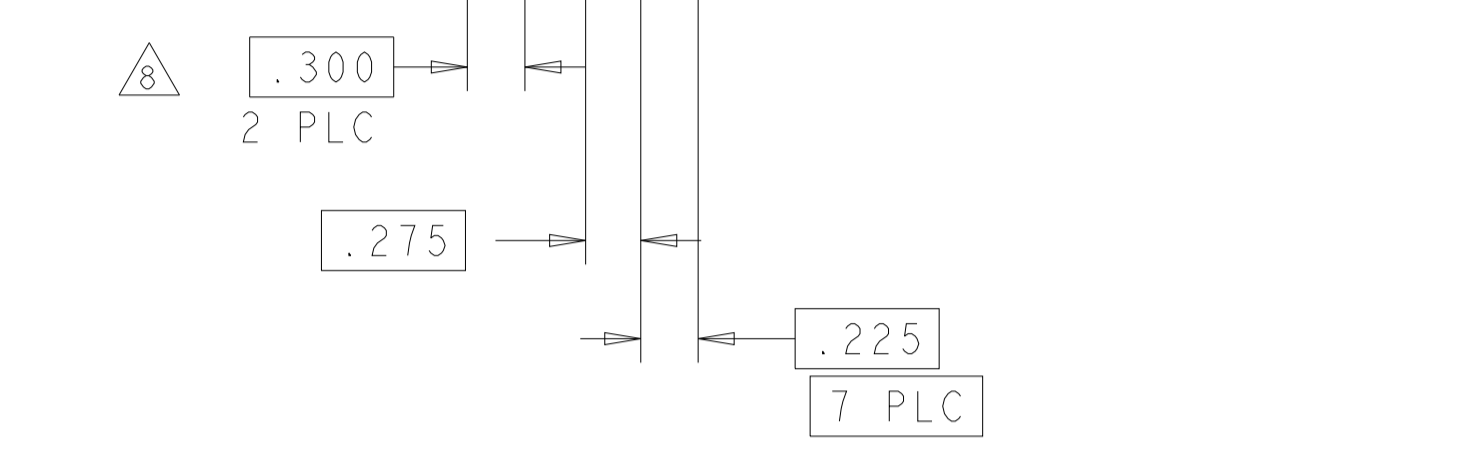
THIS DRAWING IS A CONTROLLED DOCUMENT.		DMN: H.LIU 27MAY2008	TE Connectivity
DIMENSIONS: INCHES		CHK: S.ZHAO 27MAY2008	
TOLERANCES UNLESS OTHERWISE SPECIFIED: 0 PLC ±. 2 PLC ±.01 3 PLC ±.01 4 PLC ±.005 5 PLC ±.0020 ANGLES ±.2°		APVD: S.ZHAO	NAME: R/A HEADER WITH SHORT GUIDES AND LP CONTACTS ASSEMBLY MULTI-BEAM XLE
MATERIAL: FINISH		PRODUCT SPEC: 108-2292	SIZE: CAGE CODE DRAWING NO: A100779C=6450832
		APPLICATION SPEC: 114-13251	RESTRICTED TO: -
		WEIGHT: -	SCALE: 4:1 SHEET 7 OF 24 REV: K6
		CUSTOMER DRAWING	

LOC	DIST	REVISIONS			
P	LTN	DESCRIPTION	DATE	DMN	APVD
-	-	SEE SHEET 1	-	-	-

PART NUMBER	ROWS	POWER										SIGNAL							
		P1	P2	P3	P4	P5	P6	P7	P8	P9	P10	P11	P12	P13	1	2	3	4	5
1-6450832-6	D C B A	TM	TM	TM	TM	TM	TM	TM	TM	TM	TM	TM	TM	E	E	J	J	E	E
													K	F	K	K	K	K	
													N	G	N	G	G	G	
													S	S	S	S	S	S	



PART NUMBER	ROWS	POWER										SIGNAL						
		P1	P2	P3	P4	P5	P6	P7	P8	P9	P10	P11	1	2	3	4	5	6
1-6450832-7	D C B A	TM	TM	TM	TM	TM	TM	TM	TM	TM	TM	TM	E	E	J	J	E	E
												K	F	K	K	K	K	
												N	G	N	G	G	G	
												S	S	S	S	S	S	

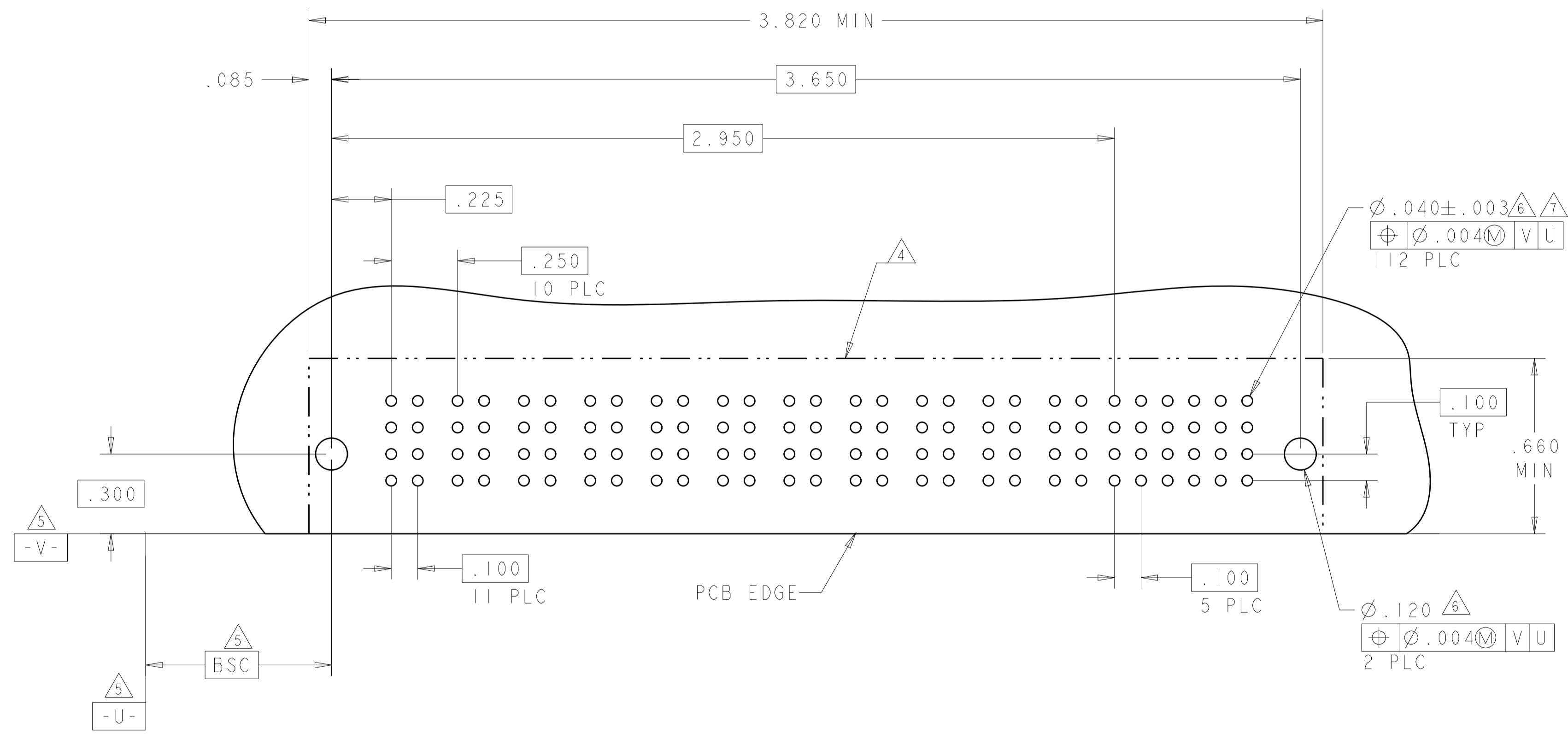


THIS DRAWING IS A CONTROLLED DOCUMENT.

DIMENSIONS:	TOLERANCES UNLESS OTHERWISE SPECIFIED:	DMN	H. LIU	27MAY2008
INCHES	0 PLC ±.01	CHK	S. ZHAO	27MAY2008
	1 PLC ±.01	APVD	S. ZHAO	-
	2 PLC ±.01	NAME	R/A HEADER WITH SHORT GUIDES AND LP CONTACTS ASSEMBLY	
	3 PLC ±.01	PRODUCT SPEC	108-2292	
	4 PLC ±.005	APPLICATION SPEC	114-13251	
	ANGLES ±.0020	SIZE	CAGE CODE	DRAWING NO
MATERIAL	FINISH	WEIGHT	A100779	6450832
CUSTOMER DRAWING		SCALE	4:1	SHEET 11 OF 24

REV K6

PART NUMBER	ROWS	POWER										SIGNAL					
		P1	P2	P3	P4	P5	P6	P7	P8	P9	P10	P11	1	2	3	4	5
1-6450832-9	D											J	E	J	J	J	E
	C											K	K	F	F	K	F
	B	TM	TM	TM	TM	TM	TM	TM	TM	TM	TM	G	N	G	G	N	G
	A											S	S	S	S	H	H
11P + 24S																	



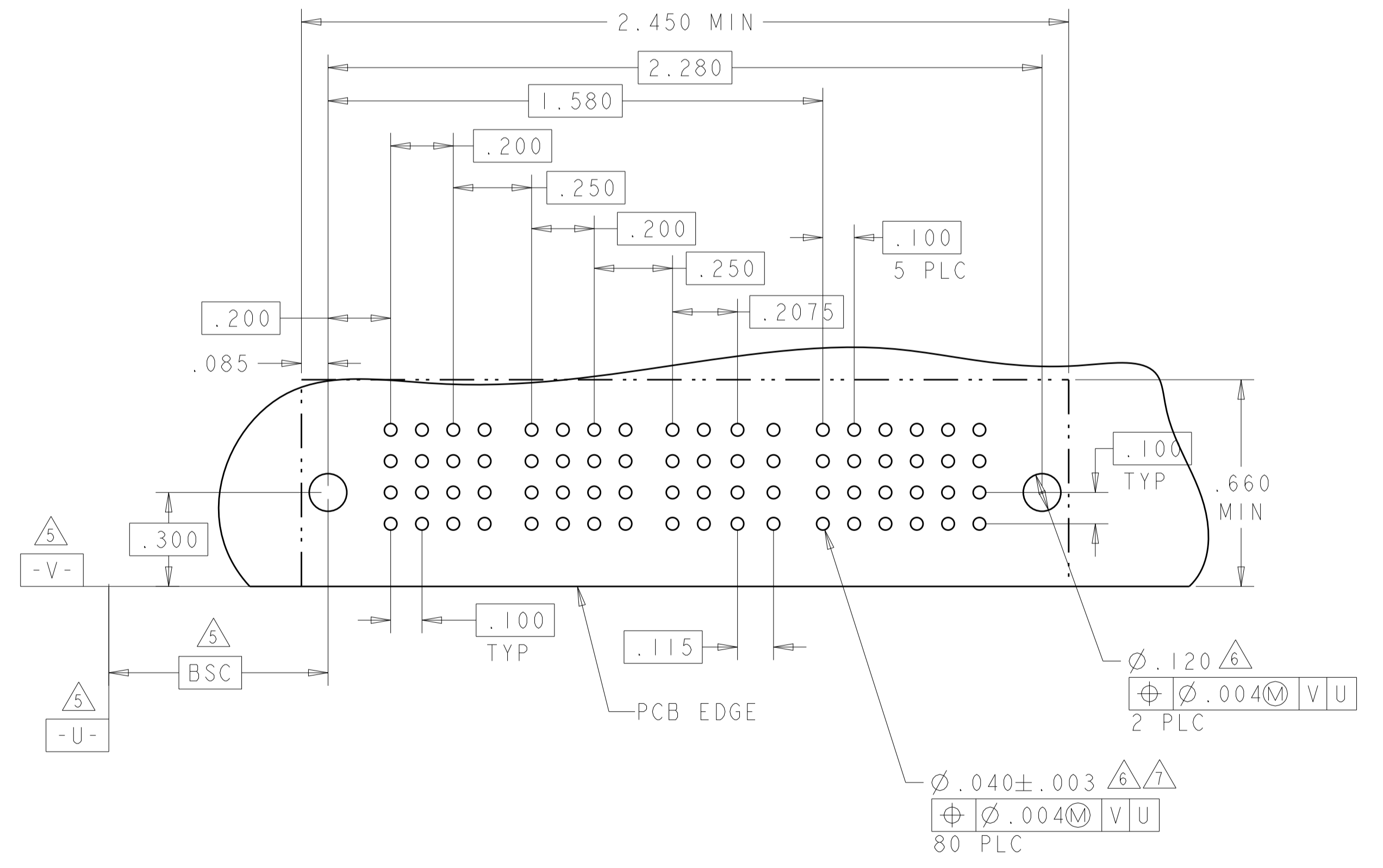
LOC	DIST	REV	DATE	BY	APPD
		1			

PART NUMBER	ROWS	POWER						SIGNAL									
		P1	P2	P3	P4	P5	LP1	LP2	1	2	3	4	5	6			
2-6450832-0	D								J	F	J	J	J	J			
	C								K	FK	K	K	F	F			
	B	TM	TM	TM	TM	TM	LM	LMF	N	FN	N	N	FN	FN			
	A								S	FS	H	S	H	H			
5P + 2LP + 24S																	

Dimensions: .200, .250, .200, .115, .1575, .250

PART NUMBER	ROWS	POWER						SIGNAL									
		P1	P2	P3	P4	P5	LP1	LP2	1	2	3	4	5	6			
2-6450832-5	D								J	F	J	J	J	J			
	C								K	FK	K	K	F	F			
	B	TM	TM	TM	TM	TM	LMF	LMF	N	FN	N	N	FN	FN			
	A								S	FS	H	S	H	H			
5P + 2LP + 24S																	

Dimensions: .200, .250, .200, .115, .1575, .250

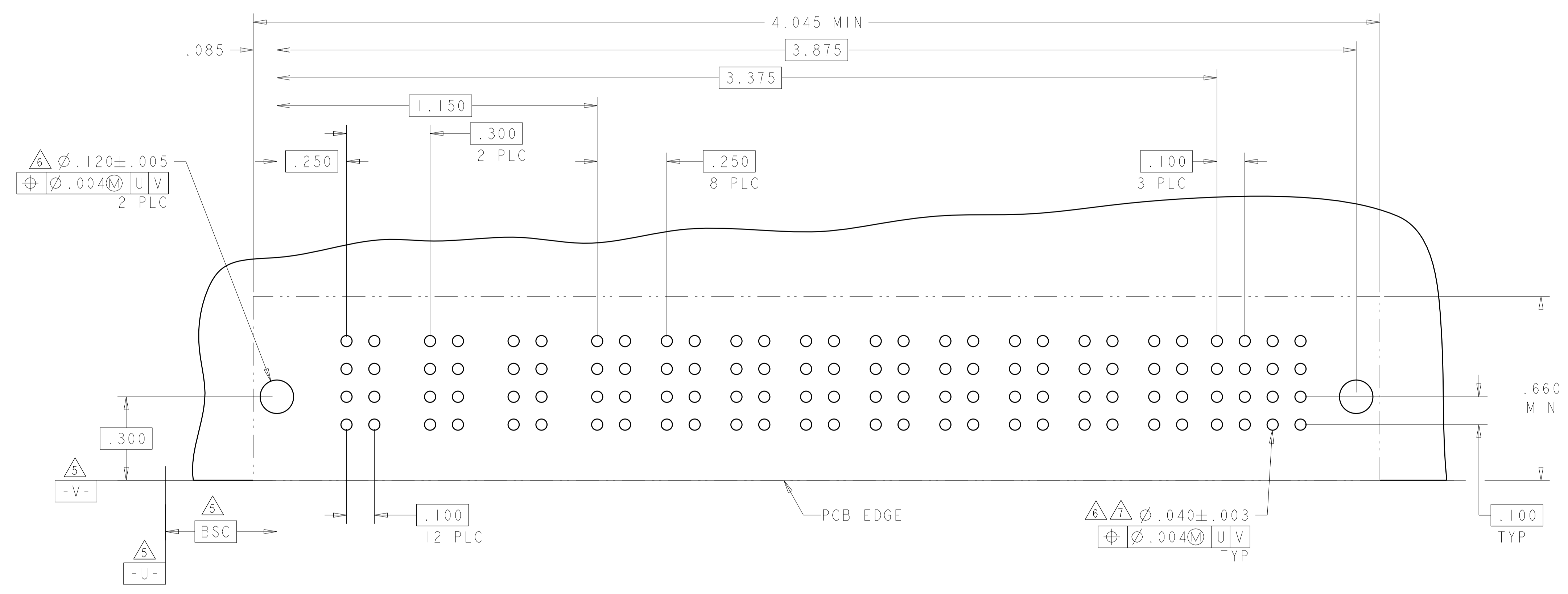


2-6450830-0 AND 2-6450830-5 PCB LAYOUT

THIS DRAWING IS A CONTROLLED DOCUMENT.		OWN: H. LIU 27MAY2008		TE Connectivity
DIMENSIONS: INCHES		CHK: S. ZHAO 27MAY2008		NAME: R/A HEADER WITH SHORT GUIDES AND LP CONTACTS ASSEMBLY
TOLERANCES UNLESS OTHERWISE SPECIFIED:		APVD: S. ZHAO	PRODUCT SPEC: 108-2292	
0 PLC ±.01		PRODUCT SPEC: 114-13251	APPLICATION SPEC: 114-13251	
1 PLC ±.01		SIZE: 114-13251	CAGE CODE: 6450832	
2 PLC ±.01		WEIGHT: -	CUSTOMER DRAWING	
3 PLC ±.005		SCALE: 4:1	SHEET 12 OF 24	
4 PLC ±.002		REVISION: K6		
ANGLES ±.020				
FINISH: -				

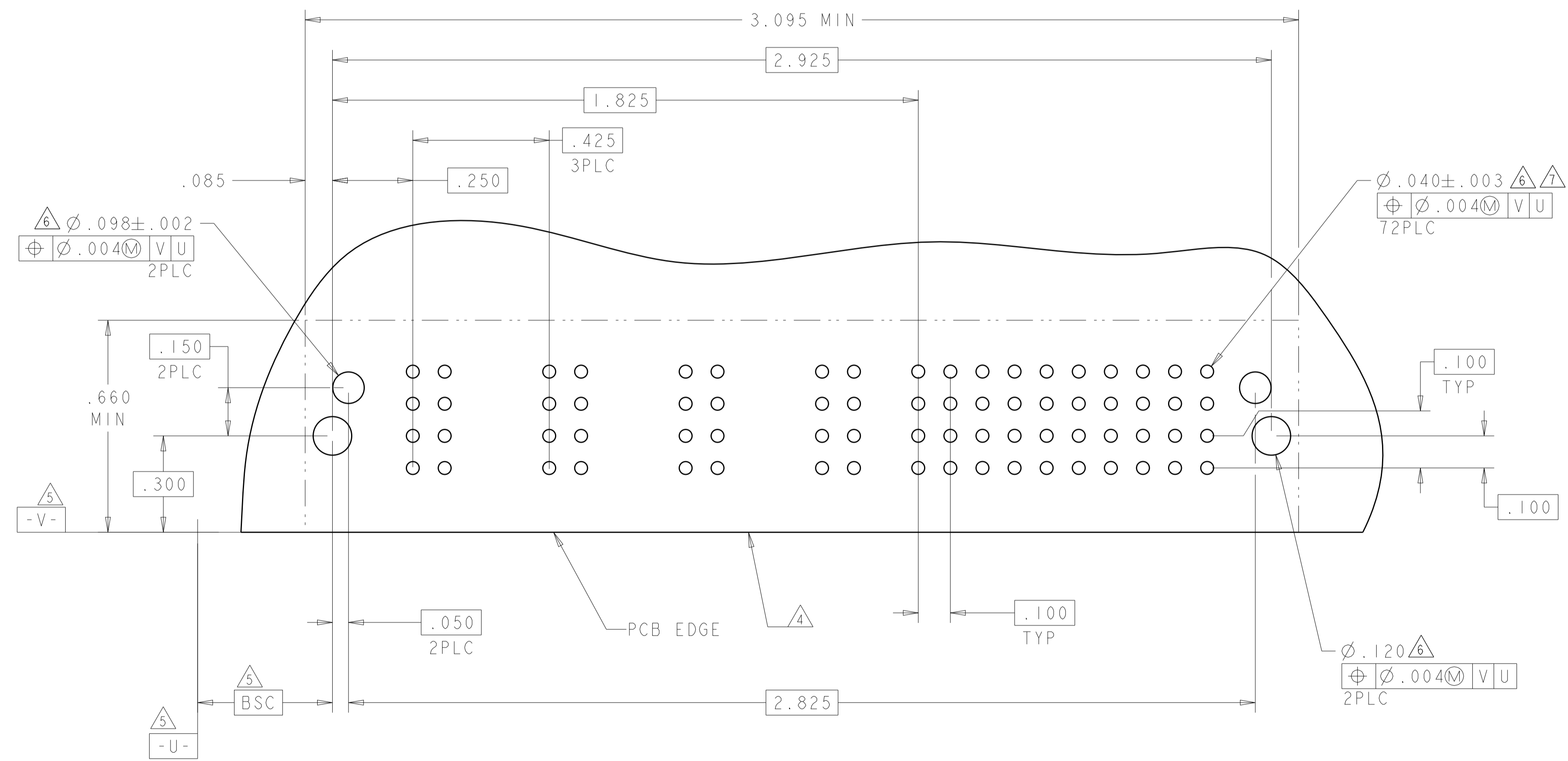
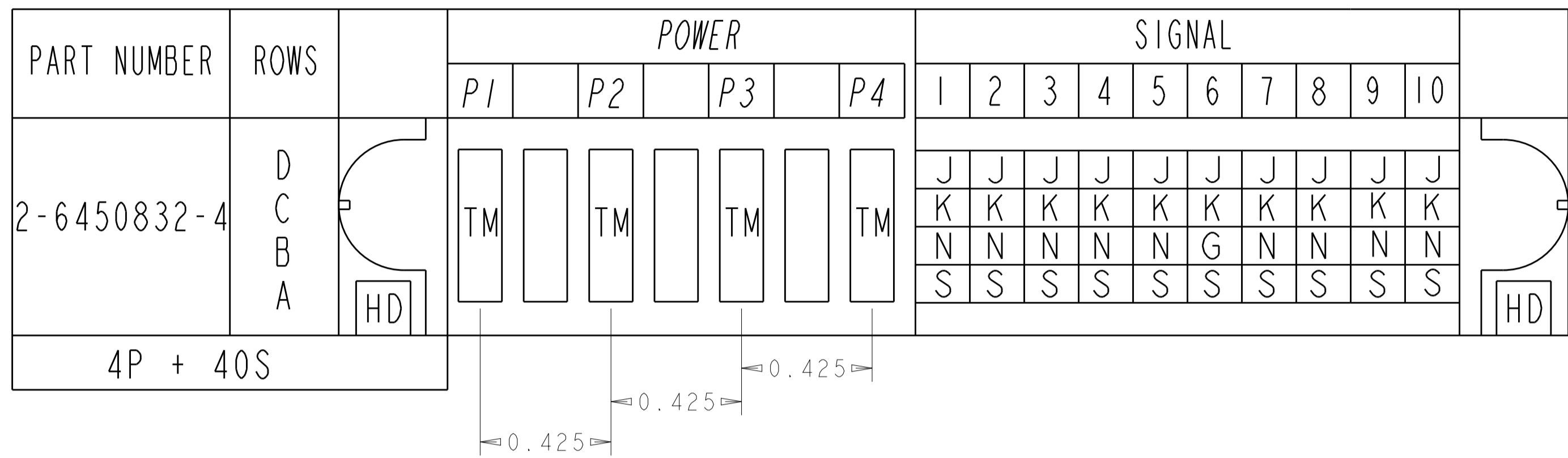
LOC	DIST	REVISIONS			
P	LTN	DESCRIPTION	DATE	DMN	APVD
-	-	SEE SHEET 1	-	-	-

PART NUMBER	ROWS	POWER												SIGNAL			
		P1	P2	P3	P4	P5	P6	P7	P8	P9	P10	P11	P12	1	2	3	4
2-6450832-3	D C B A	PS	PS	PS	PS	PS	PS	PS	PS	PS	PS	PS	PS	J	J	J	J
		PS	PS	PS	PS	PS	PS	PS	PS	PS	PS	PS	PS	K	K	K	K
		PS	PS	PS	PS	PS	PS	PS	PS	PS	PS	PS	PS	N	N	N	N
		PS	PS	PS	PS	PS	PS	PS	PS	PS	PS	PS	PS	S	S	S	H
3ACP + 9P + 16S																	



THIS DRAWING IS A CONTROLLED DOCUMENT.		DMN H. LIU 27MAY2008													
DIMENSIONS: INCHES		CHK S. ZHAO 27MAY2008													
TOLERANCES UNLESS OTHERWISE SPECIFIED:		APVD S. ZHAO	NAME R/A HEADER WITH SHORT GUIDES AND LP CONTACTS ASSEMBLY MULTI-BEAM XLE												
<table border="1"> <tr><td>0 PLC</td><td>±</td></tr> <tr><td>1 PLC</td><td>±.01</td></tr> <tr><td>2 PLC</td><td>±.01</td></tr> <tr><td>3 PLC</td><td>±.005</td></tr> <tr><td>4 PLC</td><td>±.0020</td></tr> <tr><td>ANGLES</td><td>±2°</td></tr> </table>		0 PLC	±	1 PLC	±.01	2 PLC	±.01	3 PLC	±.005	4 PLC	±.0020	ANGLES	±2°	PRODUCT SPEC 108-2292	RESTRICTED TO
0 PLC	±														
1 PLC	±.01														
2 PLC	±.01														
3 PLC	±.005														
4 PLC	±.0020														
ANGLES	±2°														
MATERIAL		APPLICATION SPEC 114-13251	SIZE A100779												
FINISH		WEIGHT	DRAWING NO C=6450832												
CUSTOMER DRAWING		SCALE 4:1	SHEET 14 OF 24												

LOC	DIST	REVISIONS			
P	LTN	DESCRIPTION	DATE	DMN	APVD
-	-	SEE SHEET 1	-	-	-



RECOMMENDED PCB LAYOUT BY TE

THIS DRAWING IS A CONTROLLED DOCUMENT.		DMN: H.LIU 27MAY2008	
DIMENSIONS: INCHES		CHK: S.ZHAO 27MAY2008	
		TOLERANCES UNLESS OTHERWISE SPECIFIED:	NAME: R/A HEADER WITH SHORT GUIDES AND LP CONTACTS ASSEMBLY MULTI-BEAM XLE
0 PLC ± 1 PLC ±.01 2 PLC ±.01 3 PLC ±.005 4 PLC ±.0020 ANGLES ±.2°		APVD: S.ZHAO	PRODUCT SPEC: 108-2292
MATERIAL:		FINISH:	APPLICATION SPEC: 114-13251
WEIGHT:		RESTRICTED TO:	SIZE: A100779
CUSTOMER DRAWING		SCALE: 4:1	SHEET 15 OF 24

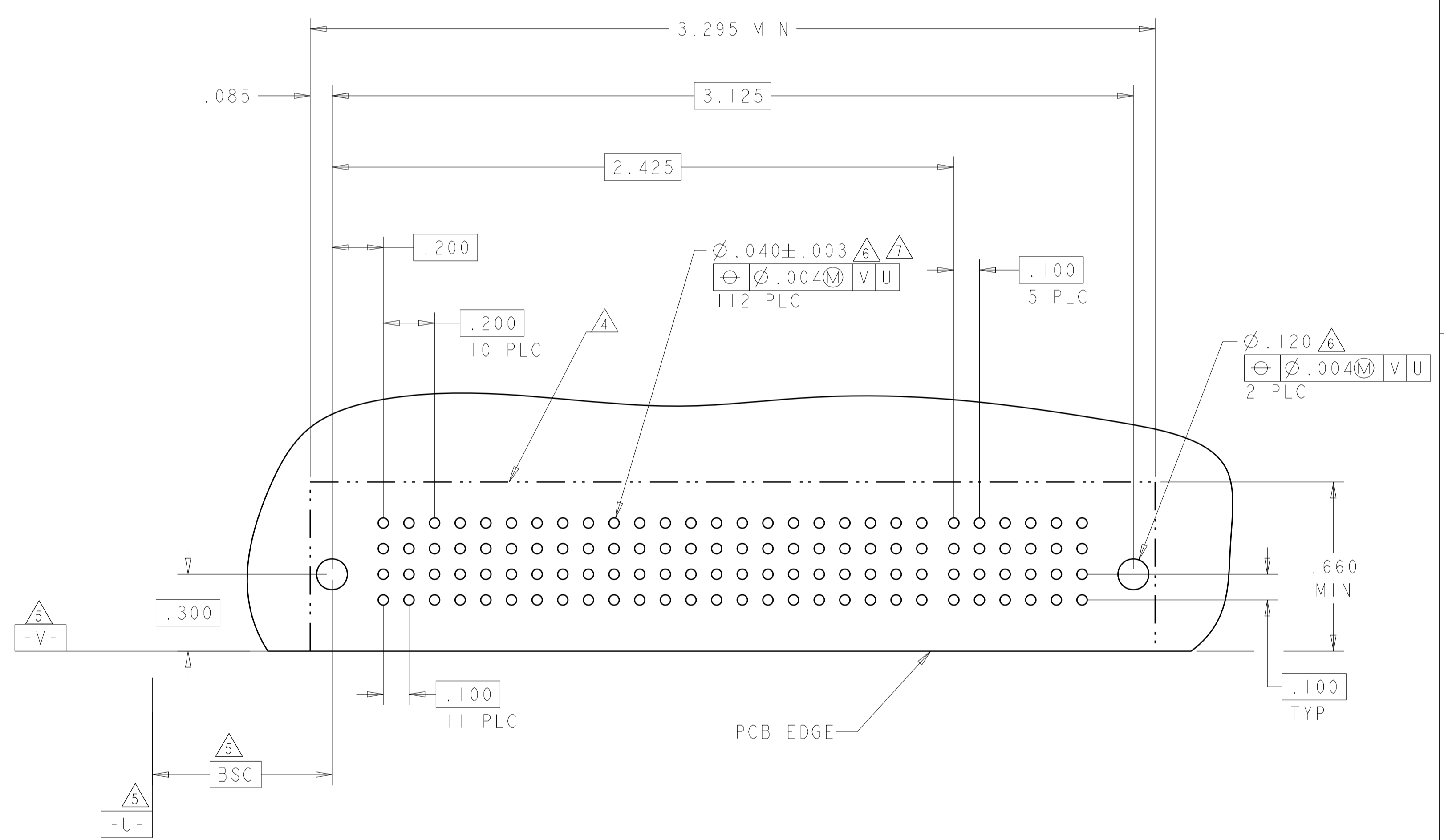
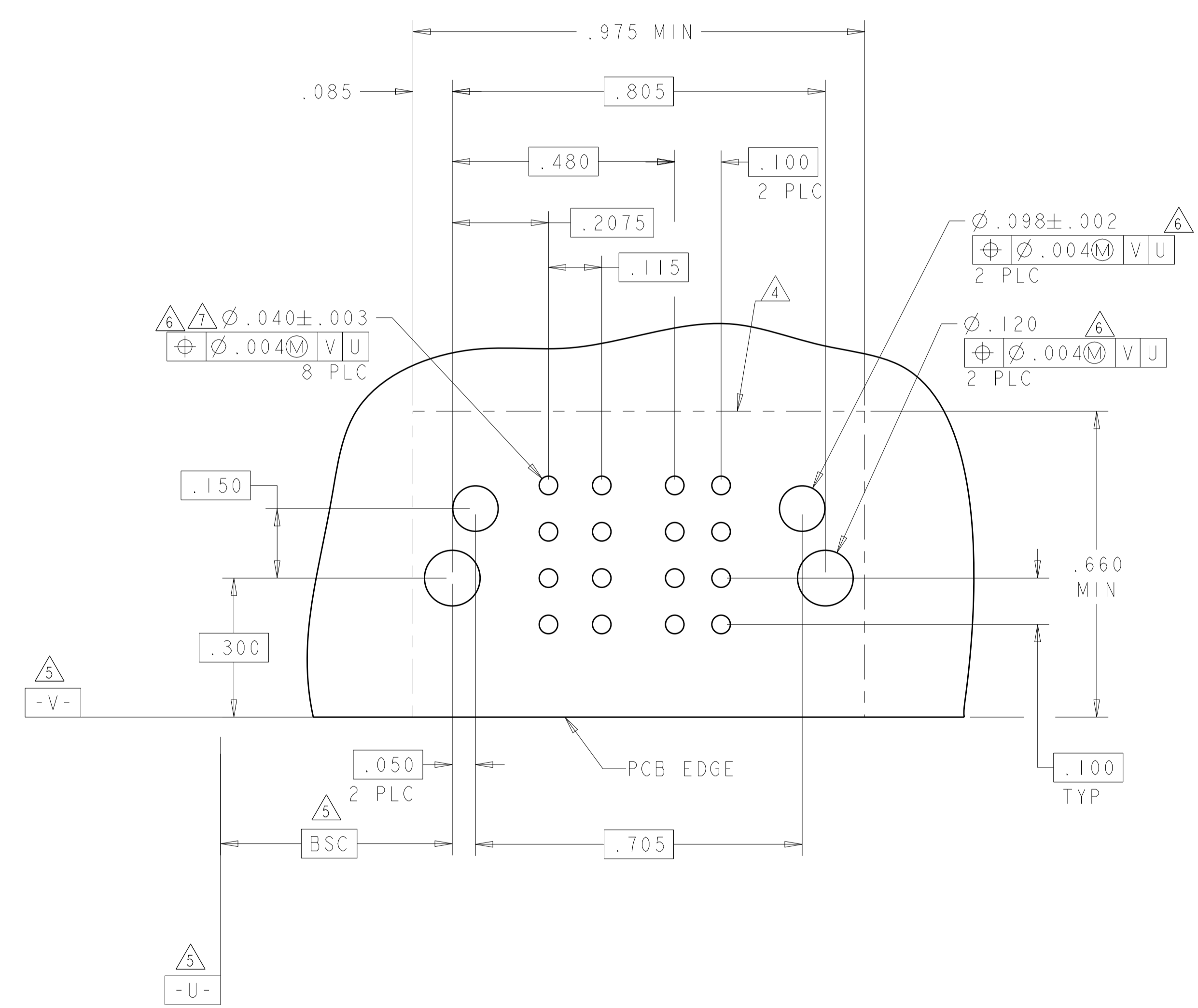
LOC	DIST	REVISIONS			
P	LTN	DESCRIPTION	DATE	DMN	APVD
-	-	SEE SHEET 1	-	-	-

PART NUMBER	ROWS	POWER		SIGNAL	
		P1	P2	1	2
3-6450832-1	D	LM	LM	J	J
	C			N	N
	B			S	S
	A				

2LP + 8S

PART NUMBER	ROWS	POWER										SIGNAL					
		P1	P2	P3	P4	P5	P6	P7	P8	P9	P10	P11	1	2	3	4	5
3-6450832-2	D	TM	TM	TM	TM	TM	TM	TM	TM	TM	TM	J	J	J	J	J	E
	C											K	K	K	K	F	
	B											N	N	N	N	N	
	A											S	S	S	S	S	

11HDP + 24S



THIS DRAWING IS A CONTROLLED DOCUMENT.

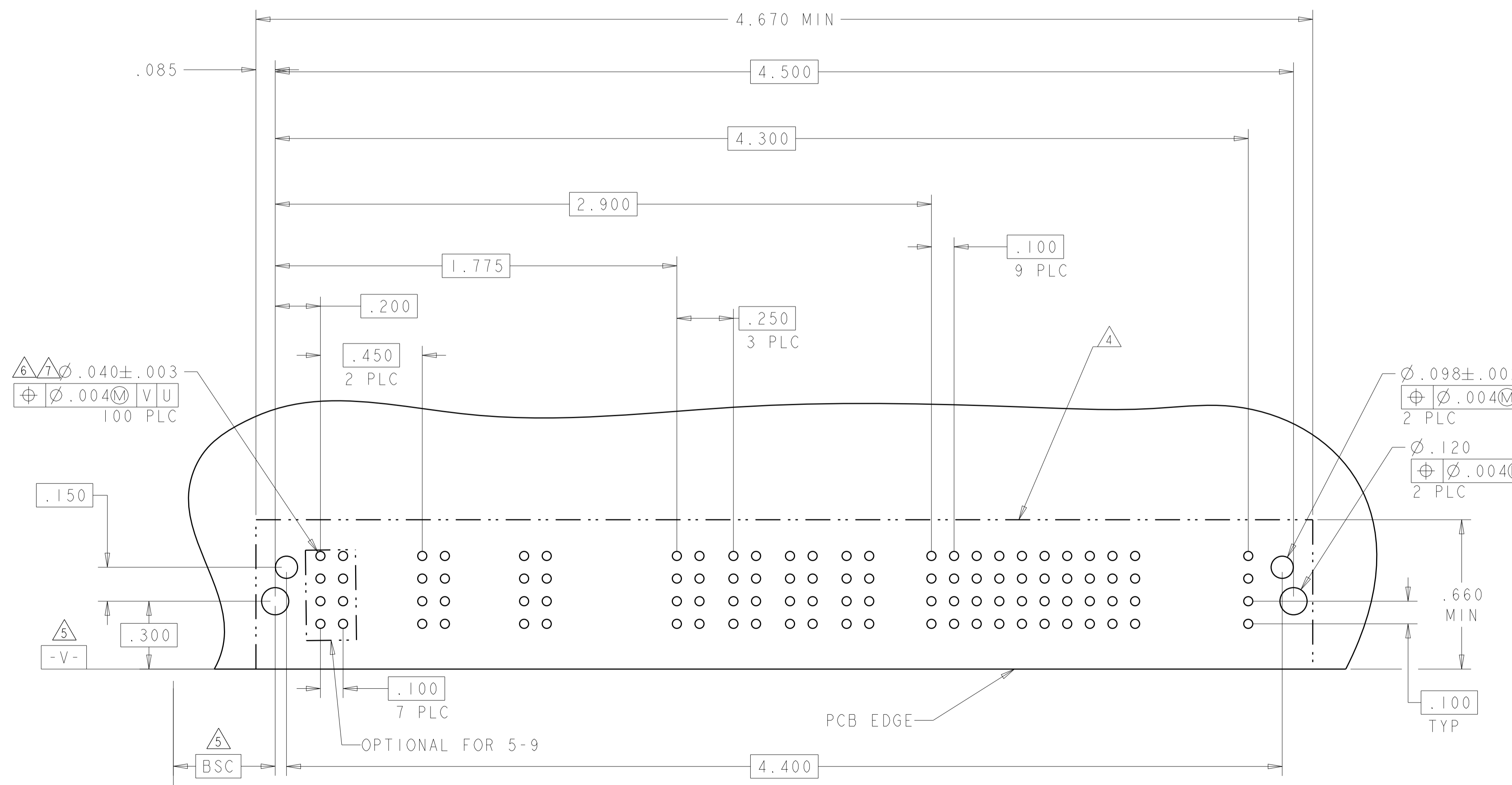
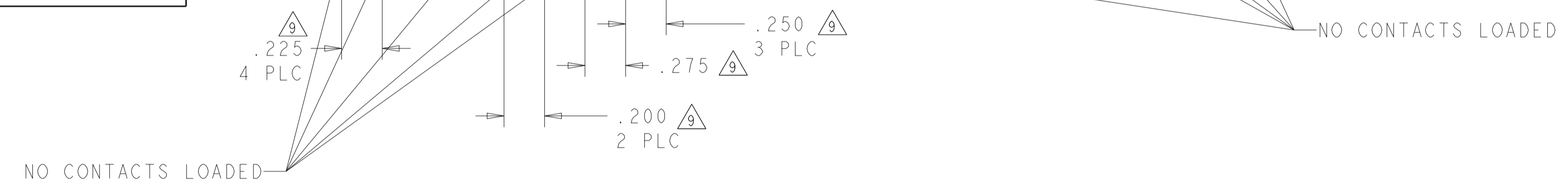
DIMENSIONS:	TOLERANCES UNLESS OTHERWISE SPECIFIED:	DMN	27MAY2008
INCHES	0 PLC ±.01	CHK	H. LIU
	1 PLC ±.01	CHK	S. ZHAO
	2 PLC ±.01	APVD	S. ZHAO
	3 PLC ±.005	NAME	R/A HEADER WITH SHORT GUIDES AND LP CONTACTS ASSEMBLY MULTI-BEAM XLE
	4 PLC ±.0020	PRODUCT SPEC	108-2292
ANGLES	±.0020	APPLICATION SPEC	114-13251
FINISH	±.0020	SIZE	A100779
		WEIGHT	C=6450832
		CUSTOMER DRAWING	SCALE 4:1 SHEET 17 OF 24 REV K6

LOC	DIST	REVISIONS			
P	LTH	DESCRIPTION	DATE	DMN	APVD
-	-	SEE SHEET 1	-	-	-

ASSY PART NUMBER	ROWS	POWER										SIGNAL																
		P1	P2	P3	P4	P5	P6	P7	P8	P9	P10	P11	1	2	3	4	5	6	7	8	9	10	11	12	13	14	15	16
3-6450832-3	DCBA	TM	TM	TM					TM	TM	TM	TM	J	J	J	J	J	J	J	J	J	J	J					J
													K	K	K	K	K	K	K	K	K	K	K					K
													N	N	N	N	N	N	N	N	N	N	N					N
5P+2HDP+4P+64S												S	S	S	S	S	S	S	S	S	S					S		



ASSY PART NUMBER	ROWS	POWER										SIGNAL																
		P1	P2	P3	P4	P5	P6	P7	P8	P9	P10	P11	1	2	3	4	5	6	7	8	9	10	11	12	13	14	15	16
5-6450832-9	DCBA		TM	TM					TM	TM	TM	TM	J	J	J	J	J	J	J	J	J	J	J					J
													K	K	K	K	K	K	K	K	K	K	K					K
													N	N	N	N	N	N	N	N	N	N	N					N
5P+2HDP+4P+64S												S	S	S	S	S	S	S	S	S	S					S		



RECOMMEND PCB LAYOUT FOR 3-6450332-3 AND 5-6450832-9

THIS DRAWING IS A CONTROLLED DOCUMENT.		DMN: H.LIU 27MAY2008	TE Connectivity
DIMENSIONS: INCHES		CHK: S.ZHAO 27MAY2008	
TOLERANCES UNLESS OTHERWISE SPECIFIED:		APVD: S.ZHAO	NAME: R/A HEADER WITH SHORT GUIDES AND LP CONTACTS ASSEMBLY MULTI-BEAM XLE
0 PLC ± 1 PLC ±.01 2 PLC ±.01 3 PLC ±.005 4 PLC ±.002 ANGLES ±.2°		PRODUCT SPEC: 108-2292	SIZE: CAGE CODE DRAWING NO: A100779
MATERIAL: FINISH:		APPLICATION SPEC: 114-13251	RESTRICTED TO: -
		WEIGHT: -	CUSTOMER DRAWING: SCALE 4:1 SHEET 18 OF 24 REV K6

LOC	DIST	REVISIONS			
P	LTN	DESCRIPTION	DATE	DMN	APVD
-	-	SEE SHEET 1	-	-	-

PART NUMBER	ROWS	POWER			SIGNAL
		P1	P2	P3	I
4-6450832-0	D	TM	TM	TM	J
	C				K
	B				N
	A				S

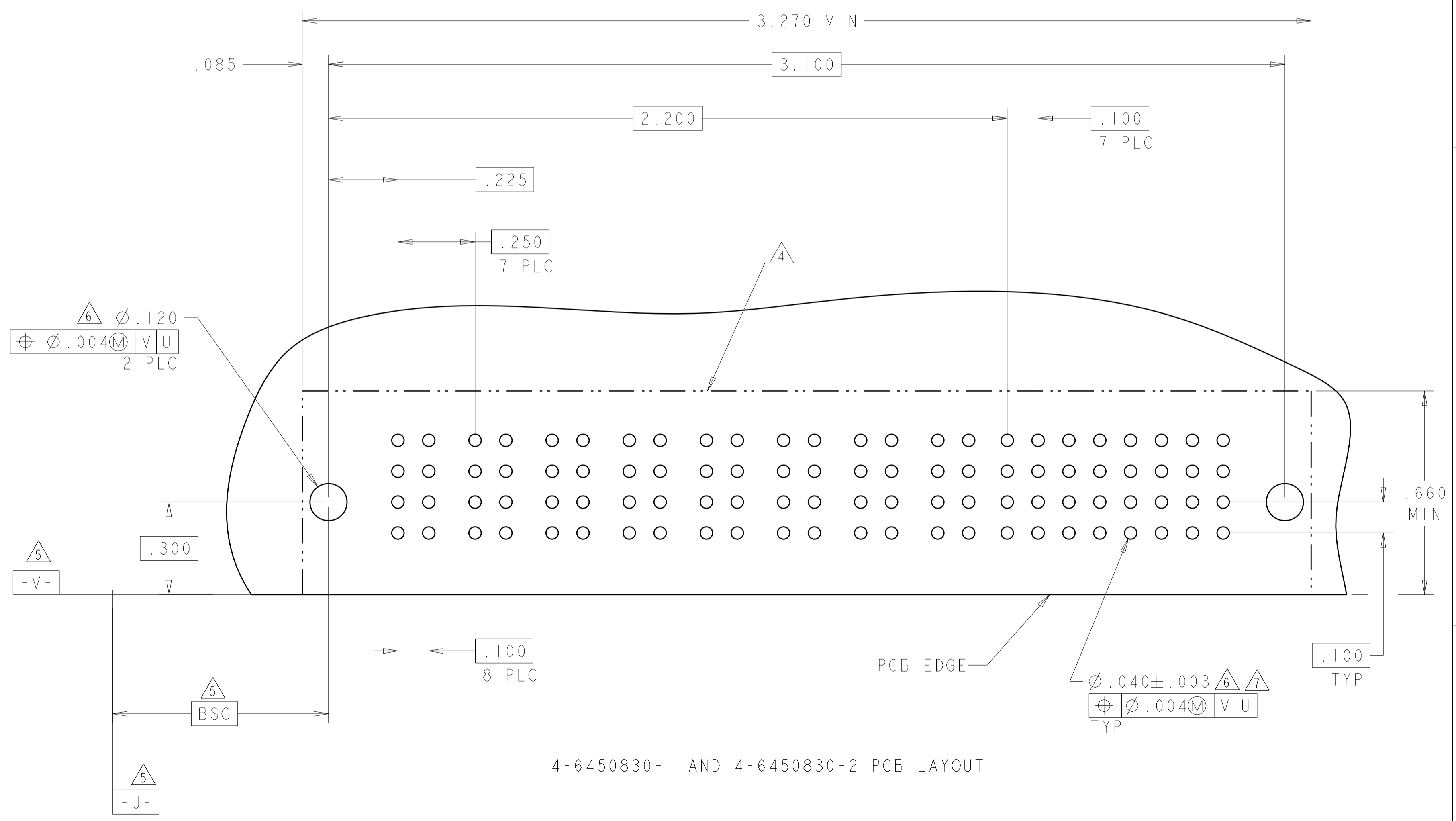
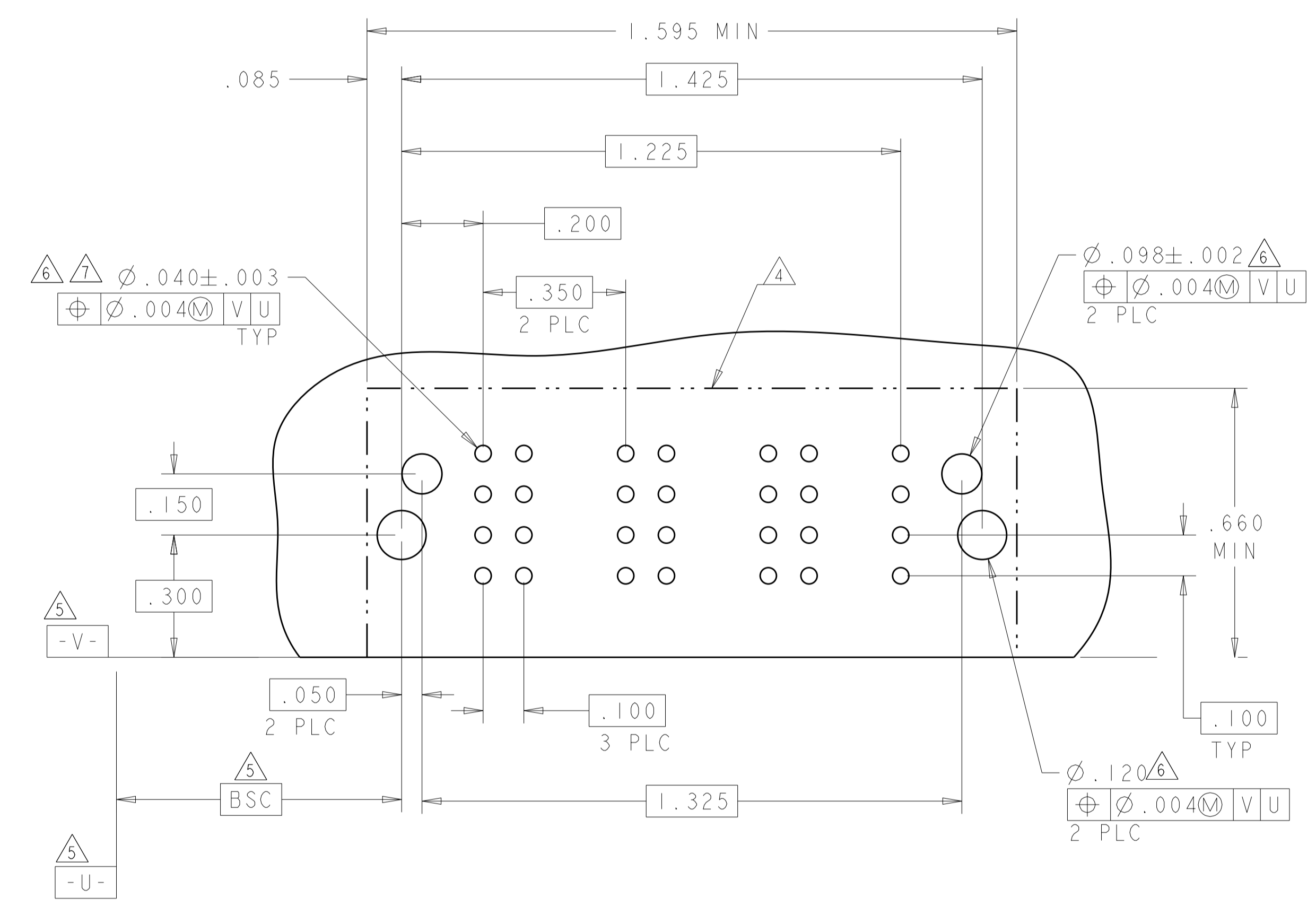
3P + 4S

PART NUMBER	ROWS	POWER								SIGNAL											
		P1	P2	P3	P4	P5	P6	P7	P8	1	2	3	4	5	6	7	8				
4-6450832-1	D	TM	TM	TM	TM	TM	TM	TM	TM	J	J	J	J	J	J	J	J				
	C									K	K	K	K	K	K	K	K	K	K	K	
	B									N	N	N	N	N	N	N	N	N	N	N	N
	A									S	S	S	S	S	S	S	S	S	S	S	S

8P + 32S

PART NUMBER	ROWS	POWER								SIGNAL										
		P1	P2	P3	P4	P5	P6	P7	P8	1	2	3	4	5	6	7	8			
4-6450832-2	D	TM	TM	TM	TM	TM	TM	TM	TM	J	J	J	J	J	J	J	J			
	C									K	K	K	F	K	K	K	K	K		
	B									N	N	N	N	N	N	N	N	N	N	N
	A									S	S	S	S	S	S	S	S	S	S	S

8P + 32S



4-6450830-1 AND 4-6450830-2 PCB LAYOUT

THIS DRAWING IS A CONTROLLED DOCUMENT.		DMN: H.LIU 27MAY2008	TE Connectivity
DIMENSIONS: INCHES		CHK: S.ZHAO 27MAY2008	
TOLERANCES UNLESS OTHERWISE SPECIFIED:		APVD: S.ZHAO	NAME: R/A HEADER WITH SHORT GUIDES AND LP CONTACTS ASSEMBLY MULTI-BEAM XLE
0 PLC ±.01	1 PLC ±.01	PRODUCT SPEC: 108-2292	SIZE: 114-13251
2 PLC ±.005	3 PLC ±.005	APPLICATION SPEC: 114-13251	RESTRICTED TO: A100779
4 PLC ±.0020	ANGLES ±.020	WEIGHT: -	SCALE: 4:1 SHEET 21 OF 24 REV: K6
MATERIAL: -	FINISH: -	CUSTOMER DRAWING	

LOC	DIST	REV	DATE	BY	APPV
		1			
		2			

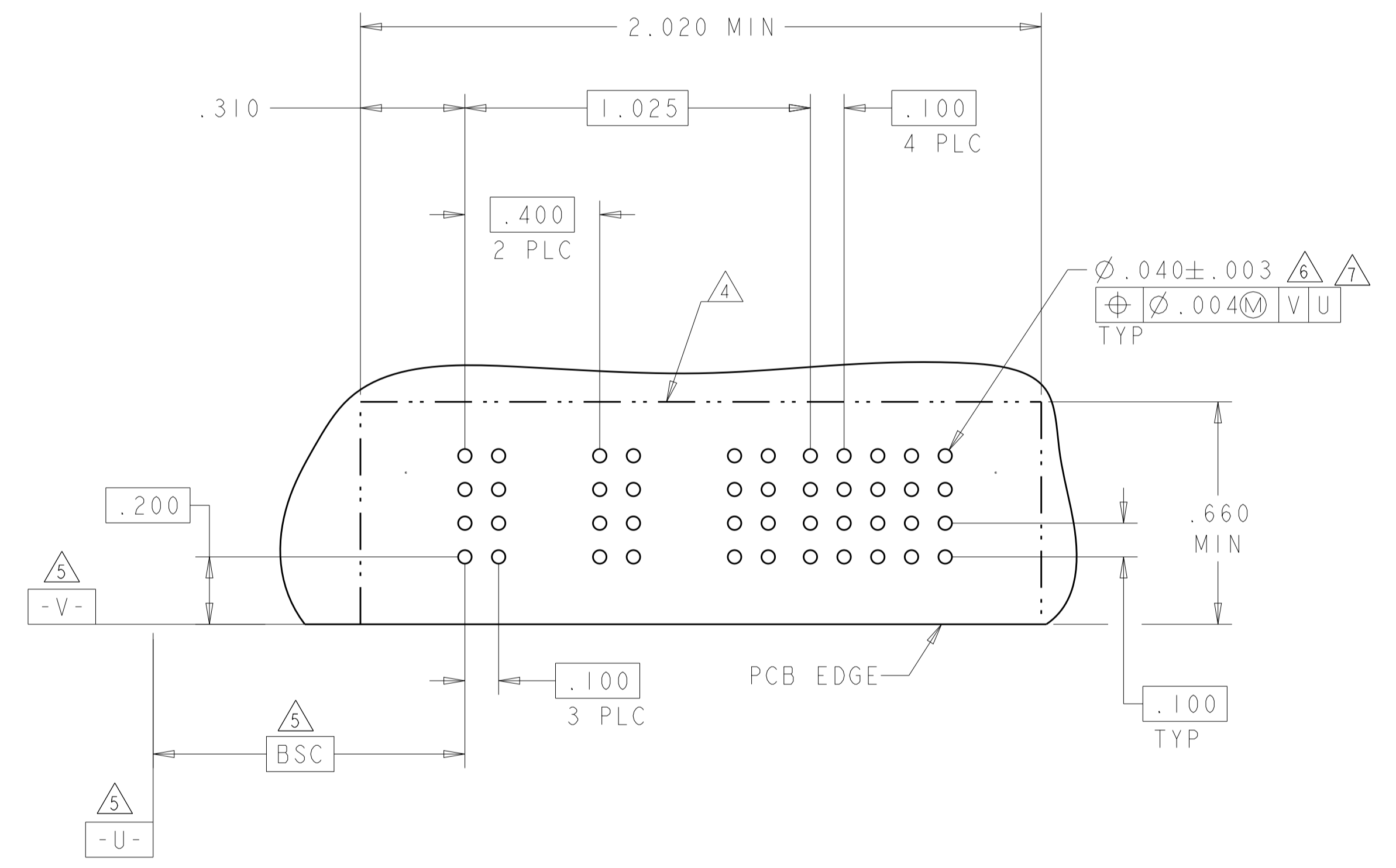
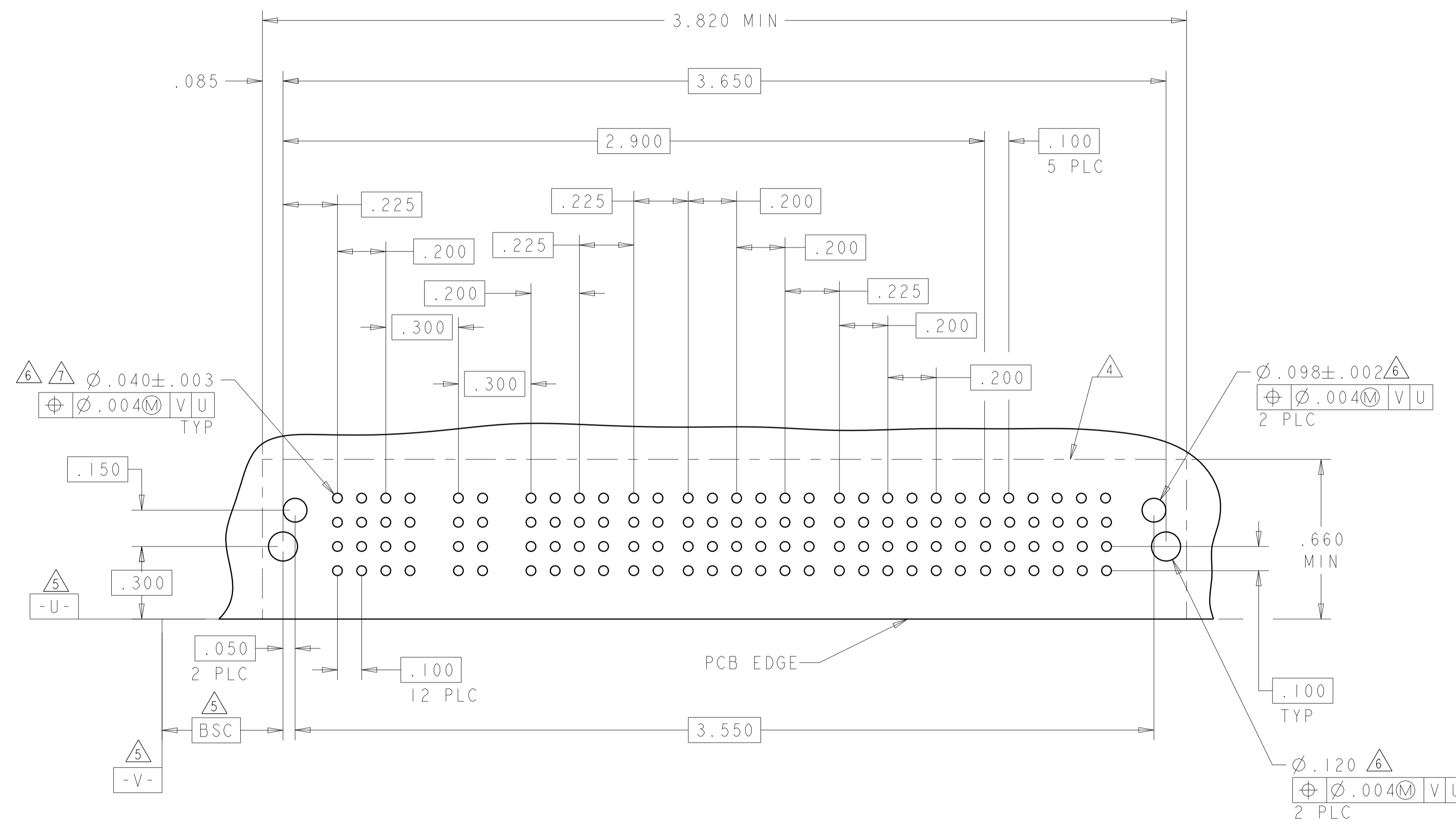
PART NUMBER	ROWS	POWER												SIGNAL					
		P1	P2	P3	P4	P5	P6	P7	P8	P9	P10	P11	P12	1	2	3	4	5	6
4-6450832-3	D													E	E	J	J	E	E
	C													K	F	K	K	K	K
	B	TM	TM	TM	TM	TM	TM	TM	TM	TM	TM	TM	TM	N	G	N	G	G	G
	A	HD												S	S	S	S	S	S

12P + 24S

PART NUMBER	ROWS	POWER					SIGNAL					
		P1	P2	P3	P4	P5	1	2	3	4	5	
4-6450832-4	D											
	C											
	B	TM		TM		TM						
	A											

5HDP + 20S

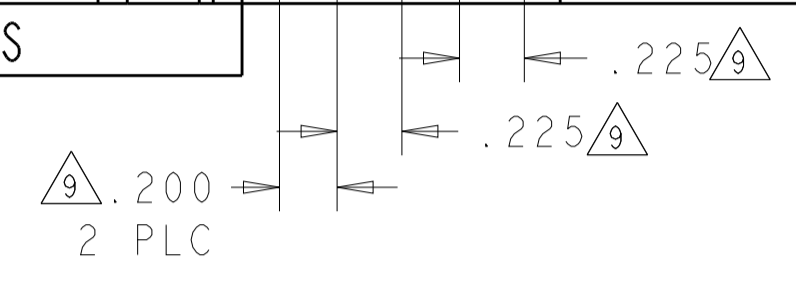
NO CONTACTS LOADED



THIS DRAWING IS A CONTROLLED DOCUMENT.		OWN: H. LIU 27MAY2008	 TE Connectivity
DIMENSIONS: INCHES		CHK: S. ZHAO 27MAY2008	
TOLERANCES UNLESS OTHERWISE SPECIFIED:		APVD: S. ZHAO	NAME: R/A HEADER WITH SHORT GUIDES AND LP CONTACTS ASSEMBLY MULTI-BEAM XLE
0 PLC ± .01		PRODUCT SPEC: 108-2292	SIZE: A1
1 PLC ± .01		APPLICATION SPEC: 114-13251	CAGE CODE: C=6450832
2 PLC ± .01		WEIGHT: -	RESTRICTED TO: -
3 PLC ± .005		CUSTOMER DRAWING	SCALE: 4:1
4 PLC ± .002			SHEET: 22 OF 24
ANGLES: ± 0.020			REV: K6
FINISH: #2			

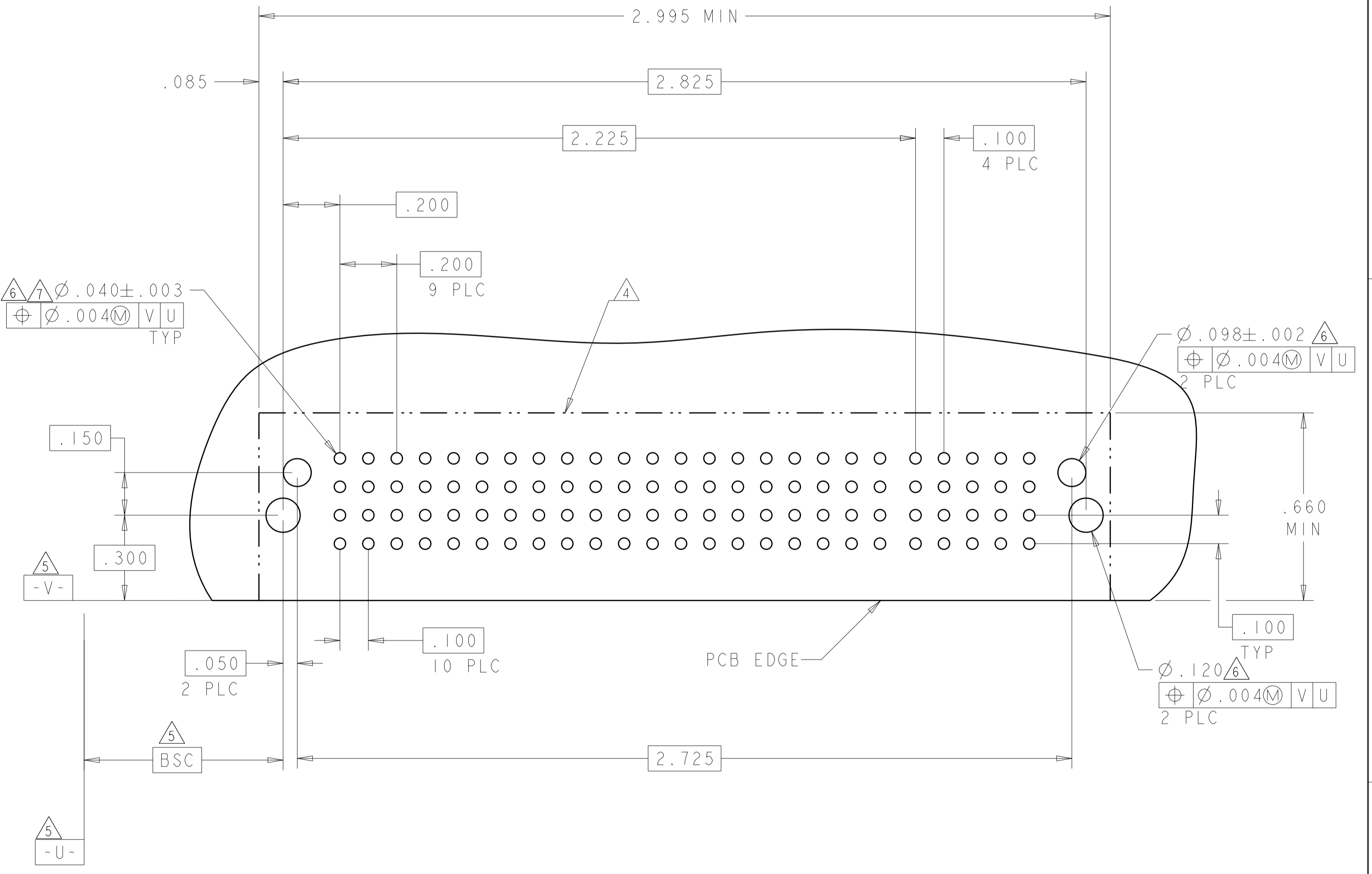
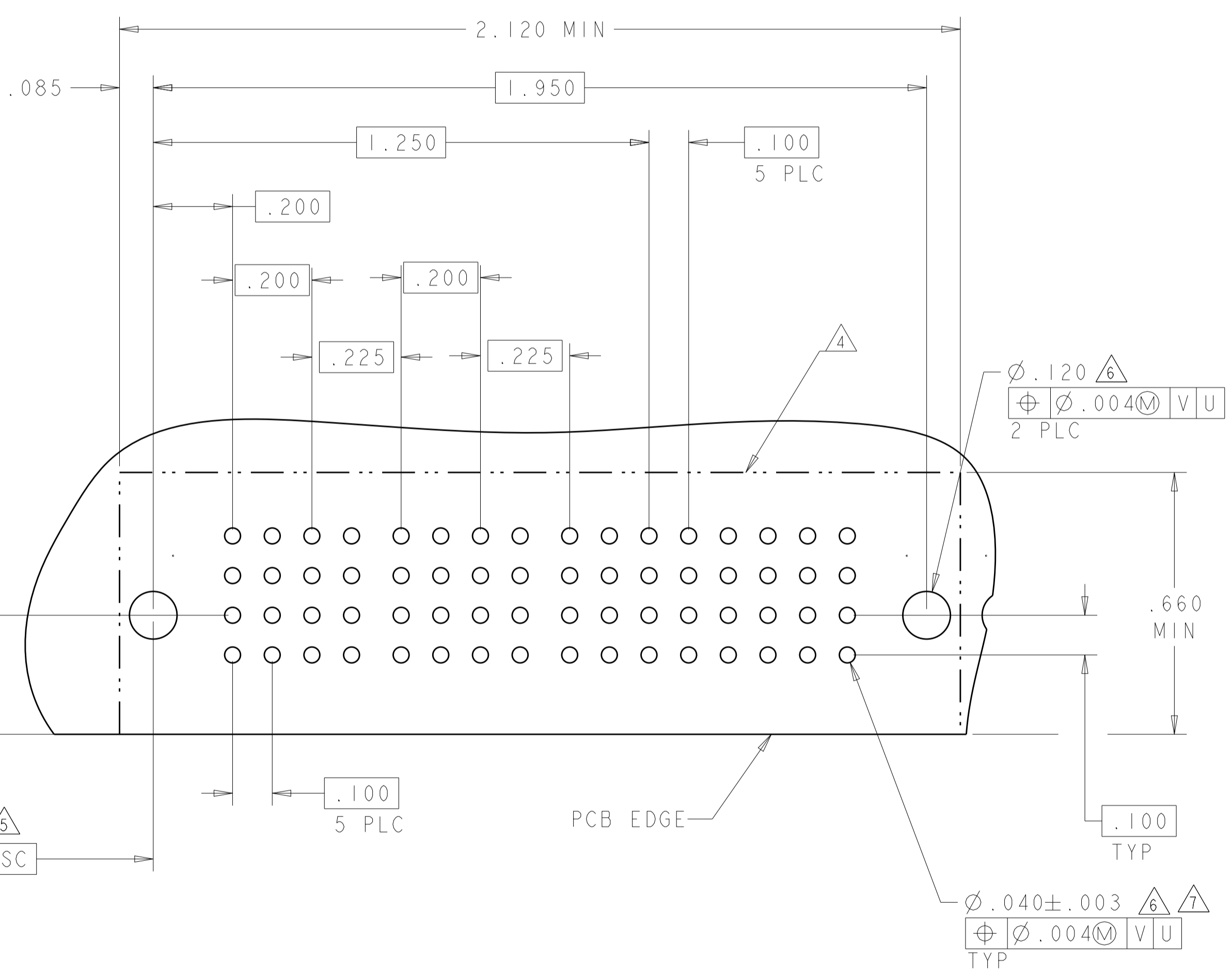
LOC	DIST	REVISIONS			
P	LTM	DESCRIPTION	DATE	DMN	APVD
-	-	SEE SHEET 1	-	-	-

PART NUMBER	ROWS	POWER					SIGNAL					
		P1	P2	P3	P4	P5	1	2	3	4	5	6
4-6450832-5	D	TM	TM	TM	TM	TM	J	J	J	J	J	J
	C						K	K	K	K	K	K
	B						N	N	N	N	N	N
	A						S	S	S	S	S	S



PART NUMBER	ROWS	POWER										SIGNAL							
		P1	P2	P3	P4	P5	P6	P7	P8	P9	P10	1	2	3	4	5			
4-6450832-6	D	TM	TM	TM	TM	TM	TM	TM	TM	TM	TM	TM	TM	TM	J	J	J	J	E
	C														K	K	K	K	F
	B														N	N	N	N	G
	A														S	S	S	S	H

10HDP + 20S



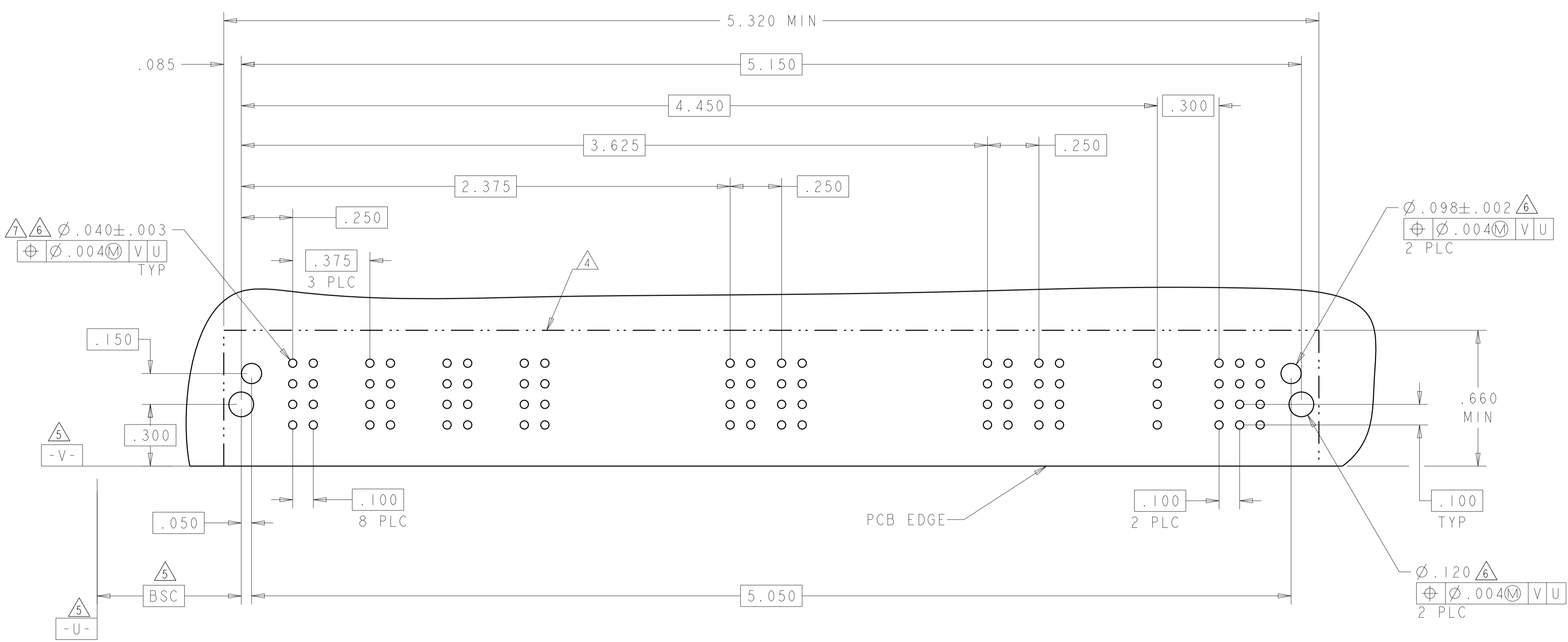
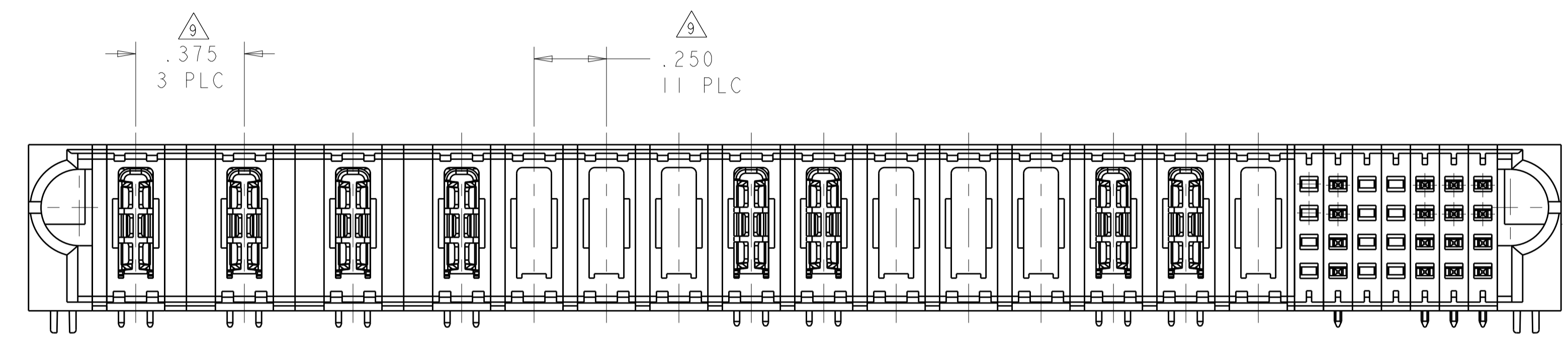
THIS DRAWING IS A CONTROLLED DOCUMENT.

DIMENSIONS:	TOLERANCES UNLESS OTHERWISE SPECIFIED:	DMN	27MAY2008
INCHES	0 PLC ±	CHK	H. LIU
	1 PLC ±.01	APVD	S. ZHAO
	2 PLC ±.01	NAME	R/A HEADER WITH SHORT GUIDES AND LP CONTACTS ASSEMBLY
	3 PLC ±.005	PRODUCT SPEC	108-2292
	4 PLC ±.0020	APPLICATION SPEC	MULTI-BEAM XLE
MATERIAL	FINISH	SIZE	CAGE CODE DRAWING NO
		114-13251	A100779C=6450832
		WEIGHT	RESTRICTED TO
		CUSTOMER DRAWING	SCALE 4:1 SHEET 23 OF 24 REV K6

LOC	DIST	REVISIONS					
		P	LTN	DESCRIPTION	DATE	DWN	APVD
		-		SEE SHEET 1			

PART NUMBER	ROWS	POWER															SIGNAL							
		P1	P2	P3	P4	P5	P6	P7	P8	P9	P10	P11	P12	P13	P14	P15	1	2	3	4	5	6	7	
4-6450832-7	D															-	J	-	-	J	J	J		
	C															-	K	-	-	K	K	K		
	B	TM	TM	TM	TM	-	-	-	TM	TM	-	-	-	TM	TM	-	-	G	-	-	G	G	G	
	A															-	H	-	-	H	H	H		
15P + 28S																								

- NO CONTACTS LOADED



THIS DRAWING IS A CONTROLLED DOCUMENT.		DWN: H.LIU 27MAY2008	
DIMENSIONS: INCHES		CHK: S.ZHAO 27MAY2008	
TOLERANCES UNLESS OTHERWISE SPECIFIED: 0 PLC ±. 1 PLC ±.01 2 PLC ±.01 3 PLC ±.005 4 PLC ±.0020 ANGLES ±.2°		APVD: S.ZHAO	NAME: R/A HEADER WITH SHORT GUIDES AND LP CONTACTS ASSEMBLY MULTI-BEAM XLE
MATERIAL FINISH		PRODUCT SPEC: 108-2292	RESTRICTED TO: -
		APPLICATION SPEC: 114-13251	SIZE: A1
		WEIGHT: -	CAGE CODE: 6450832
		CUSTOMER DRAWING	SCALE: 4:1 SHEET 24 OF 24 REV: K6



Компания «ЭлектроПласт» предлагает заключение долгосрочных отношений при поставках импортных электронных компонентов на взаимовыгодных условиях!

Наши преимущества:

- Оперативные поставки широкого спектра электронных компонентов отечественного и импортного производства напрямую от производителей и с крупнейших мировых складов;
- Поставка более 17-ти миллионов наименований электронных компонентов;
- Поставка сложных, дефицитных, либо снятых с производства позиций;
- Оперативные сроки поставки под заказ (от 5 рабочих дней);
- Экспресс доставка в любую точку России;
- Техническая поддержка проекта, помощь в подборе аналогов, поставка прототипов;
- Система менеджмента качества сертифицирована по Международному стандарту ISO 9001;
- Лицензия ФСБ на осуществление работ с использованием сведений, составляющих государственную тайну;
- Поставка специализированных компонентов (Xilinx, Altera, Analog Devices, Intersil, Interpoint, Microsemi, Aeroflex, Peregrine, Syfer, Eurofarad, Texas Instrument, Miteq, Cobham, E2V, MA-COM, Hittite, Mini-Circuits, General Dynamics и др.);

Помимо этого, одним из направлений компании «ЭлектроПласт» является направление «Источники питания». Мы предлагаем Вам помощь Конструкторского отдела:

- Подбор оптимального решения, техническое обоснование при выборе компонента;
- Подбор аналогов;
- Консультации по применению компонента;
- Поставка образцов и прототипов;
- Техническая поддержка проекта;
- Защита от снятия компонента с производства.



Как с нами связаться

Телефон: 8 (812) 309 58 32 (многоканальный)

Факс: 8 (812) 320-02-42

Электронная почта: org@eplast1.ru

Адрес: 198099, г. Санкт-Петербург, ул. Калинина, дом 2, корпус 4, литера А.