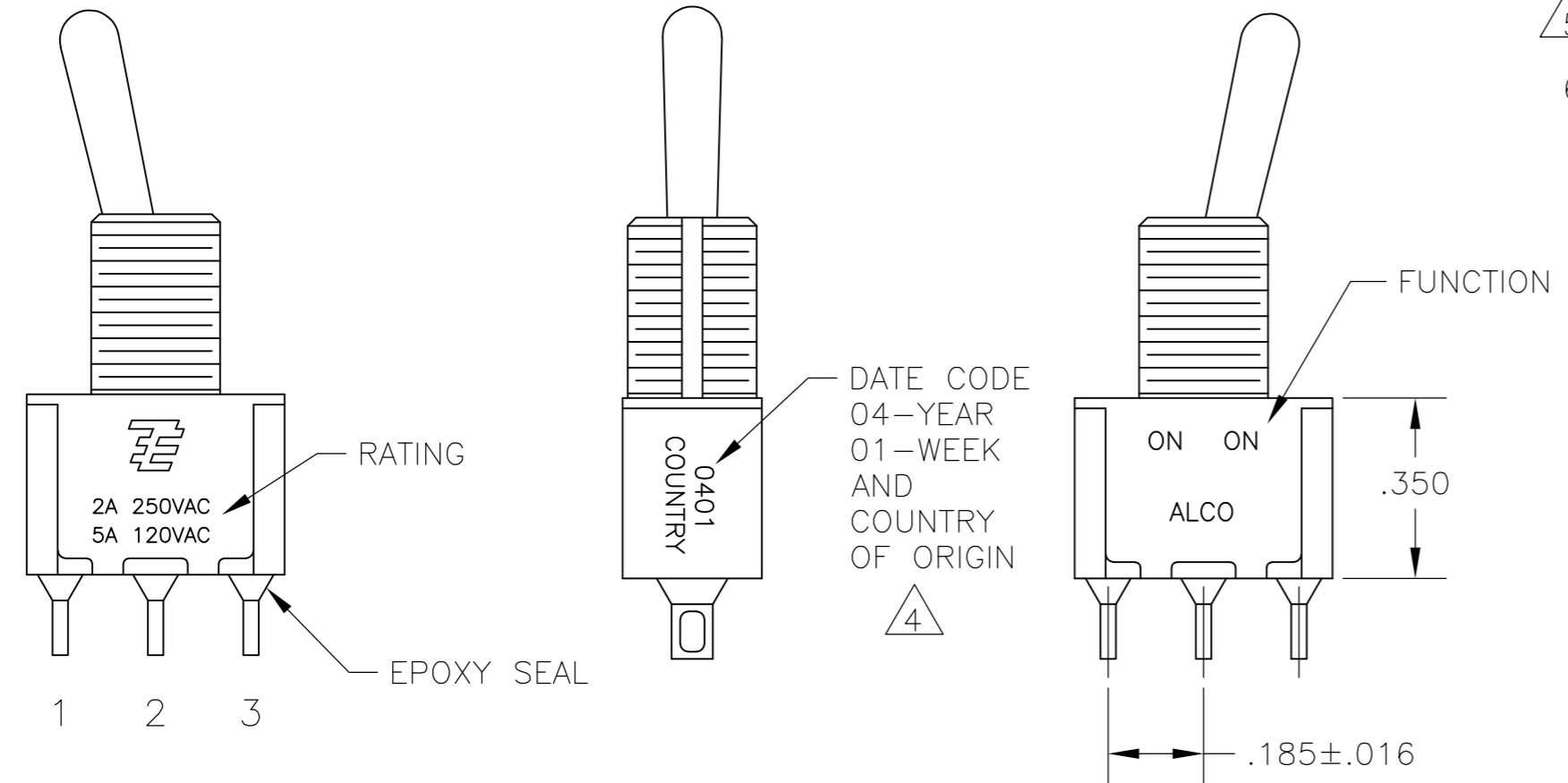
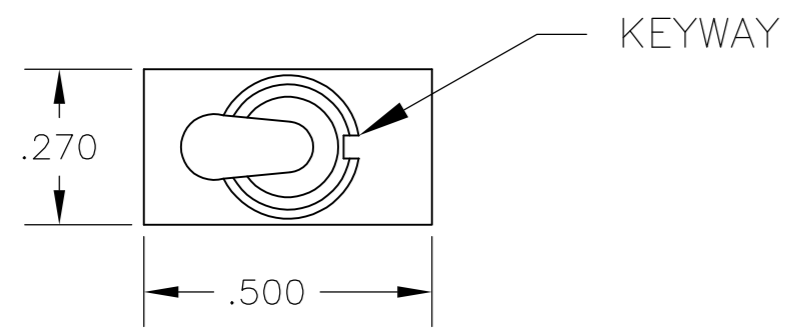


THIS DRAWING IS UNPUBLISHED. RELEASED FOR PUBLICATION  
 © COPYRIGHT - By - ALL RIGHTS RESERVED.

LOC		DIST		REVISIONS			
P	LTR	DESCRIPTION	DATE	DWN	APVD		
AD	00	A7	REVISED PER ECO-14-005988	23APR2014	NK	RH	



- ALL MATERIALS AND FINISHES SHALL COMPLY WITH EU DIRECTIVE 2002/95/EC OF 27JAN2003 (ROHS).
- EACH SWITCH WITH THREADED BUSHINGS SUPPLIED WITH THE FOLLWING MOUNTING HARDWARE:  
 (2) HEX NUTS  
 (1) INTERNAL TOOTH LOCKWASHER  
 (1) LOCATING RING
- G CONTACT OPTION CAN BE USED FOR SIGNAL OR POWER LEVEL SWITCHING. IF SWITCH IS USED AT LEVELS EXCEEDING .4VA @ 20V AC/DC, SWITCH IS RENDERED FOR POWER SWITCHING ONLY DUE TO ARC REMOVAL OF GOLD PLATING. RATING MARKED ON FRAME IS 2A 250VAC, 5A 120VAC.
- DATE CODE AND COUNTRY OF ORIGIN MAY APPEAR ON EITHER SIDE OF SWITCH.
- LENGTH OF TOGGLE REDUCED BY .020 WITH A, AV2, V30 OR V40 VERTICAL SUPPORT BRACKET OPTIONS.
- ALL LOGO, RATING, DATE CODE, AND FUNCTION MARKINGS TO BE LASER MARKED.

FUNCTION	1 2 3	1 2 3	1 2 3
03	ON	OFF	ON
05	(ON)	OFF	(ON)
07	ON	OFF	(ON)
TERMINALS CONNECTED	2-3	---	1-2

None: No mechanical position  
 Off: Mechanical position with no electrical connection  
 (On): Momentary action

RATING, B CONTACTS	.4VA MAX @20V MAX. AC OR DC
RATING, G CONTACTS—SEE NOTE 3	.4VA MAX @20V MAX. AC OR DC OR
	5A @120 VAC OR 28 VDC (RESISTIVE)
RATING, Q CONTACTS	2A @250 VAC (RESISTIVE)
	5A @120 VAC OR 28 VDC (RESISTIVE)
ELECTRICAL LIFE	6,000 CYCLES AT RATED LOAD
CONTACT RESISTANCE	10 MILLIOHMS MAX INITIAL @ 2-4VDC, 100ma
INSULATION RESISTANCE	1,000 MEGOHMS MIN
DIELECTRIC WITHSTANDING VOLTAGE	1,000 V RMS AT SEA LEVEL
OPERATING TEMPRATURE	-30C TO 85C

MODEL	FUNCTION	TOGGLE	BUSHING	TERMINAL	CONTACT	RoHS
A1	03	K	CW	A	B	04
	05	K1	D	AV2	G	
	07	L	D9	C	Q	
		L1	H	V30		
		L2	Y	V40		
		M	Y9	W		
		P3		W4		
		S		Z		
		T		Z3		
		T1				

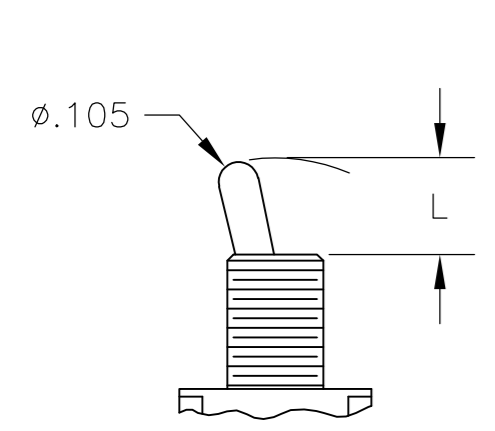
EXAMPLE: A103SYCQ04

THIS DRAWING IS A CONTROLLED DOCUMENT.		DWN M. ZITTO	18MAY05	<b>TE</b> TE Connectivity	
DIMENSIONS: INCHES		CHK M. ZITTO			
TOLERANCES UNLESS OTHERWISE SPECIFIED:		APVD M. ZITTO		NAME GEMINI A SERIES TOGGLE SWITCH, SINGLE POLE, 3 POSITION FUNCTIONS (03, 05 & 07)	
0 PLC ± -		PRODUCT SPEC		SIZE CAGE CODE DRAWING NO RESTRICTED TO	
1 PLC ± -		APPLICATION SPEC		A2 00779 C=1825137	
2 PLC ± -				SCALE 3:1 SHEET 1 OF 4 REV A7	
3 PLC ± .010					
4 PLC ± -					
ANGLES ± 2°					
MATERIAL FINISH		WEIGHT			
		CUSTOMER DRAWING			

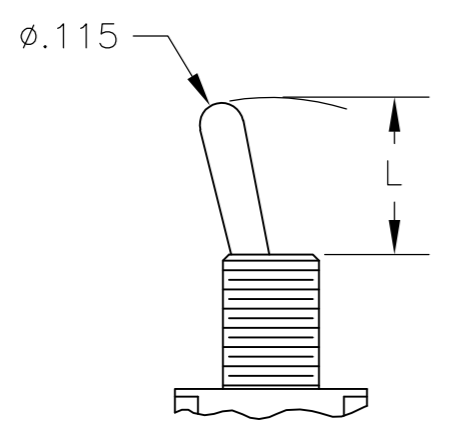
THIS DRAWING IS UNPUBLISHED. RELEASED FOR PUBLICATION  
 © COPYRIGHT - By - ALL RIGHTS RESERVED.

REVISONS		DATE	DWN	APVD
P	LTR			
SEE SHEET 1		-	-	-

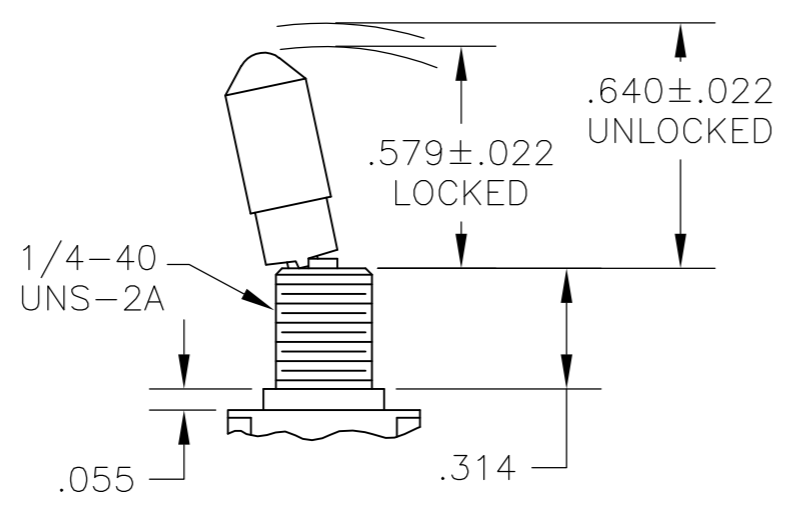
# TOGGLES



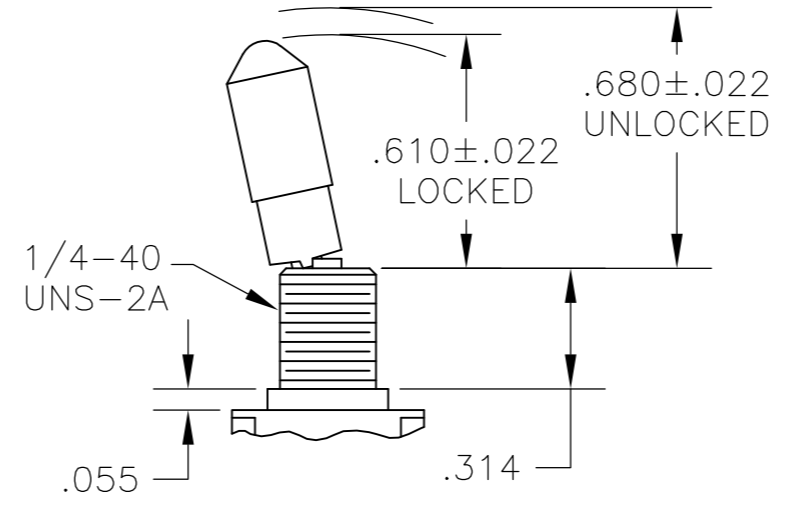
**M** SHORT



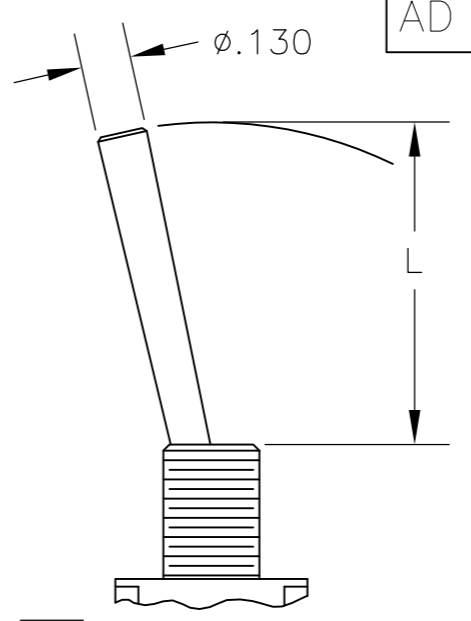
**S** STANDARD



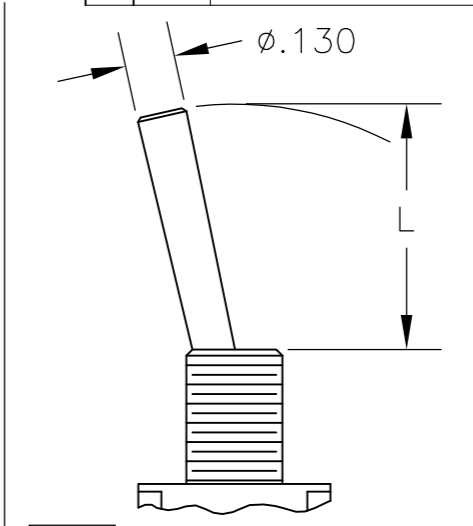
**K** NO BUSHING OPTION NEEDED



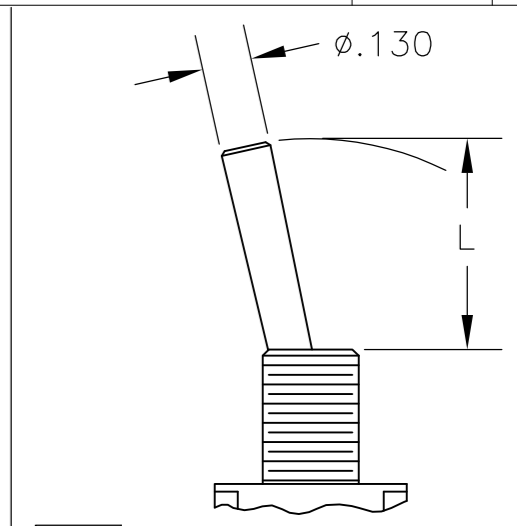
**K1** NO BUSHING OPTION NEEDED



**L** LEVER



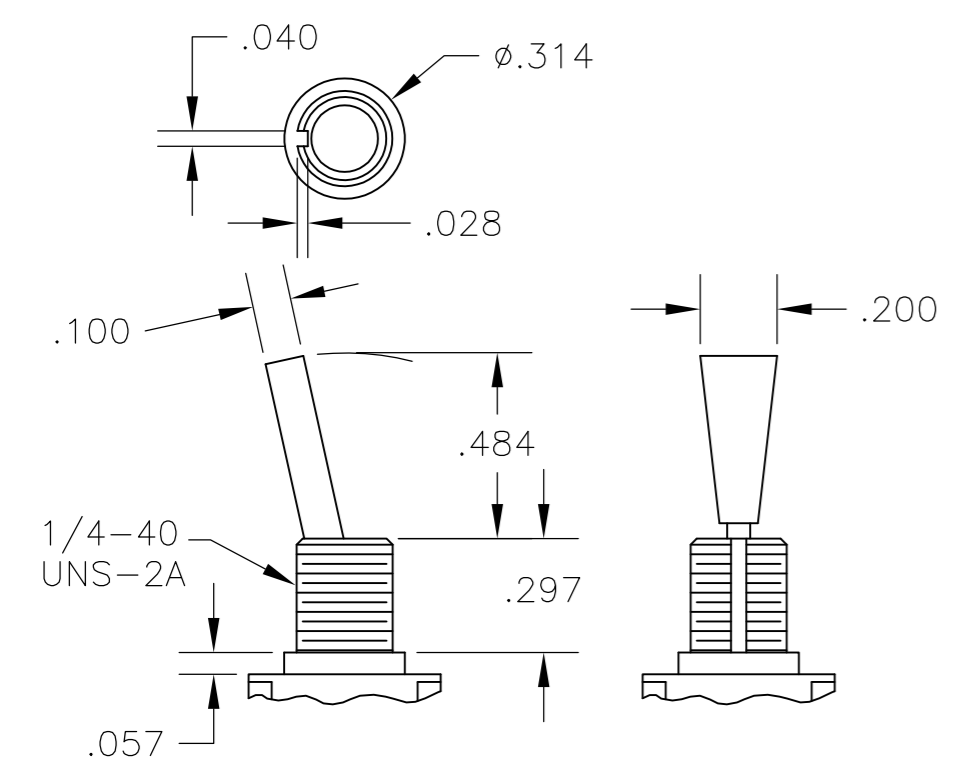
**L1** LEVER



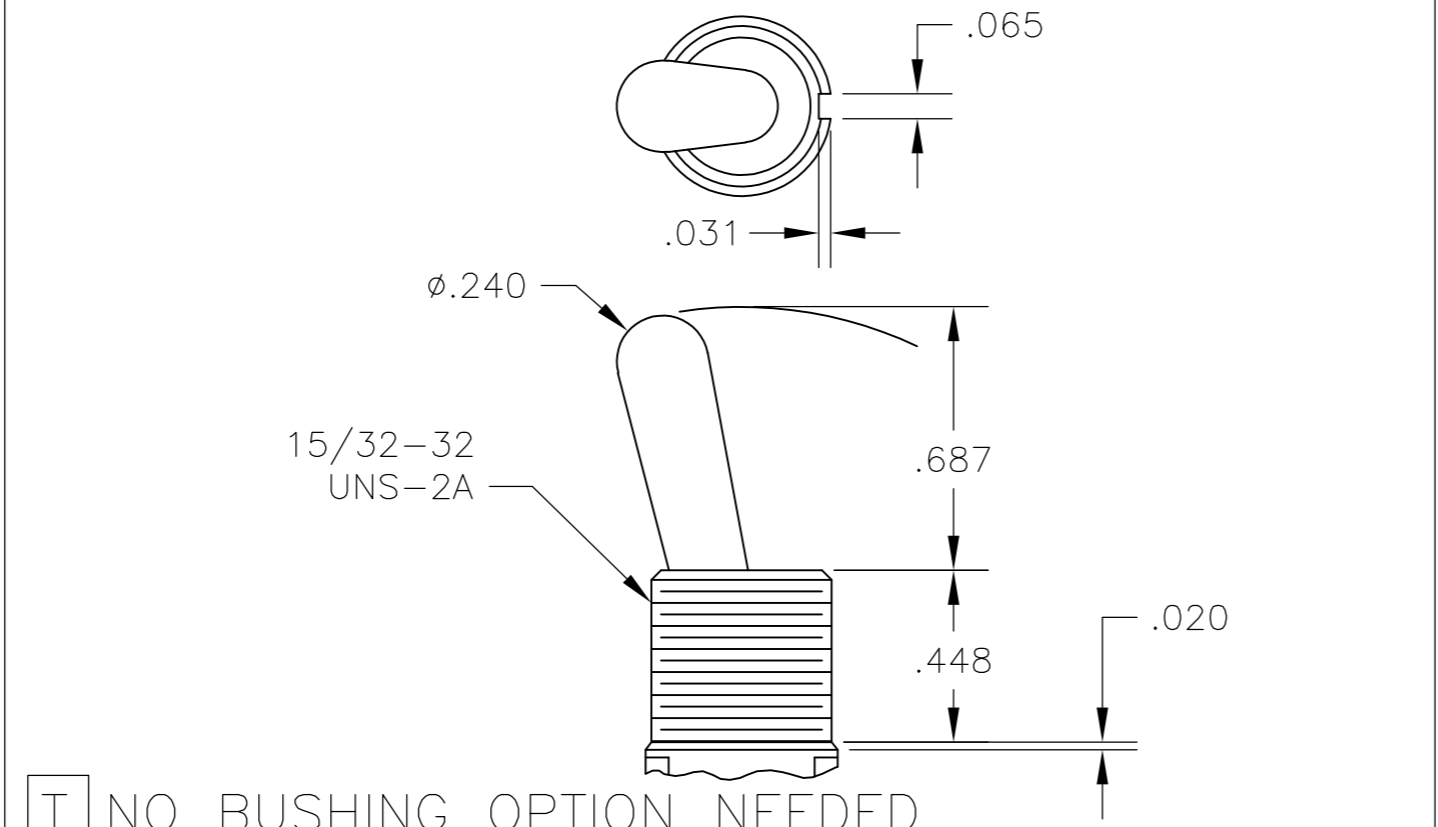
**L2** LEVER

DIM L	BUSHING TYPE	DIM L	BUSHING TYPE
.200	Y, H	.410	Y, H
.270	D, D9	.480	D, D9

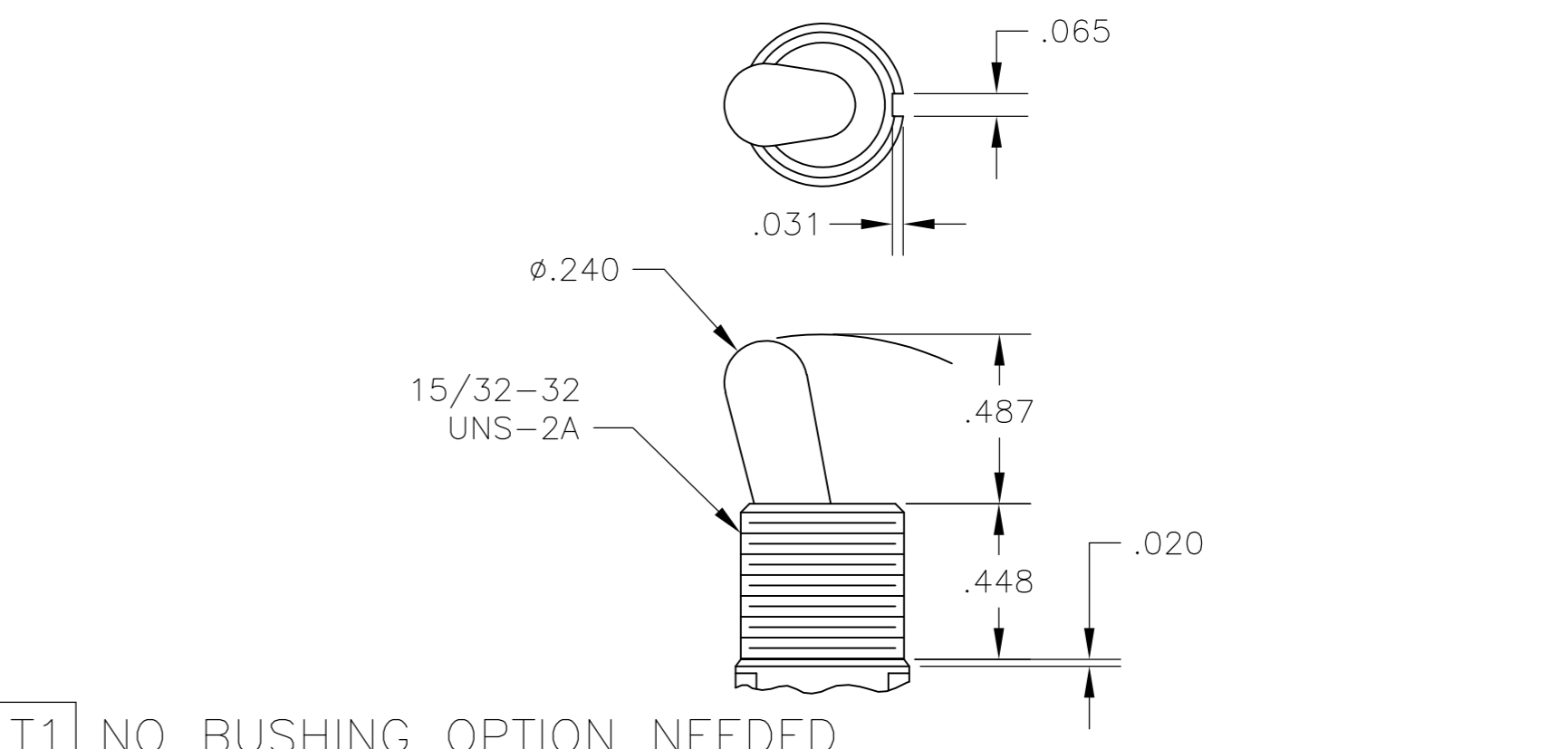
DIM L	BUSHING TYPE	DIM L	BUSHING TYPE	DIM L	BUSHING TYPE
.840	Y, H	.640	Y, H	.550	Y, H
.910	D, D9	.710	D, D9	.620	D, D9



**P3** NO BUSHING OPTION NEEDED

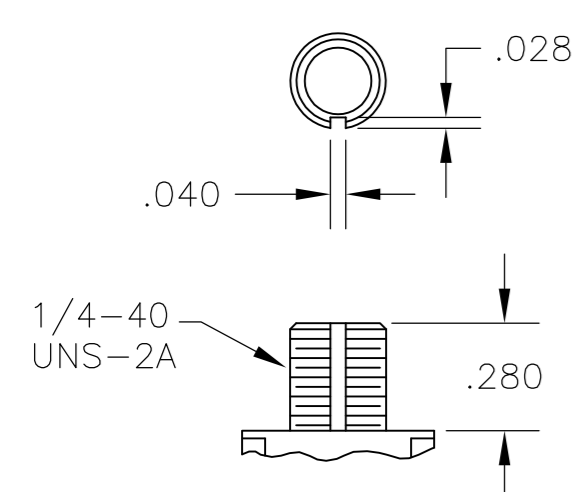


**T** NO BUSHING OPTION NEEDED

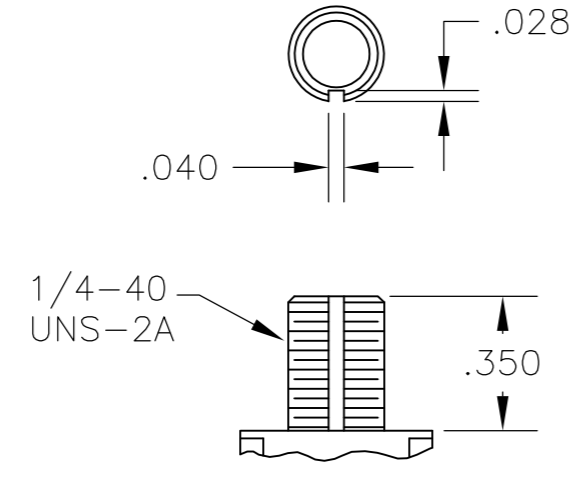


**T1** NO BUSHING OPTION NEEDED

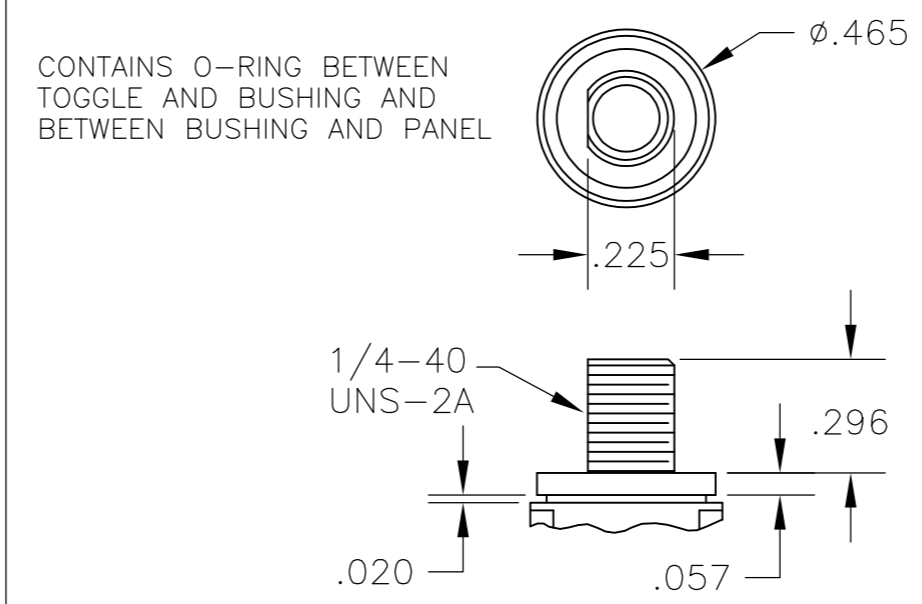
# BUSHINGS



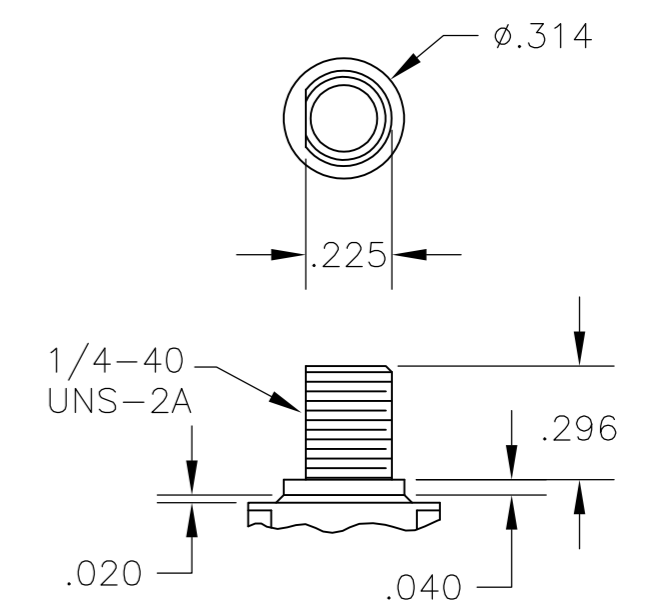
**D** THREADED  
**D9** UNTHREADED



**Y** THREADED  
**Y9** UNTHREADED



**CW** THREADED SPLASHPROOF



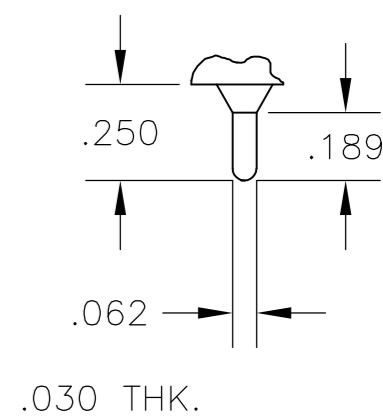
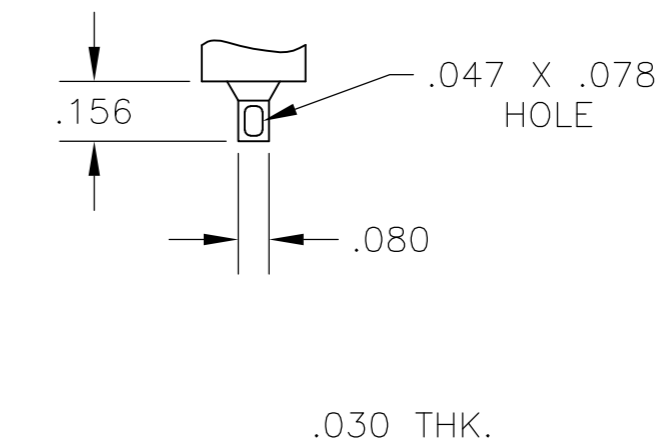
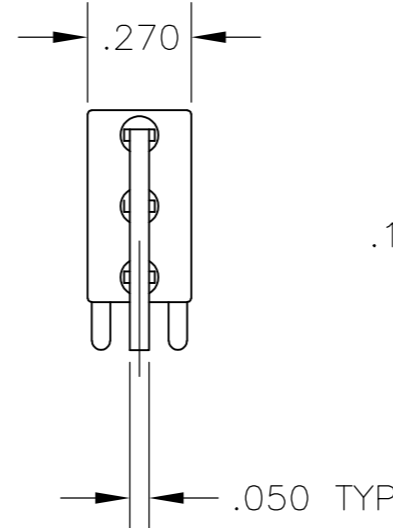
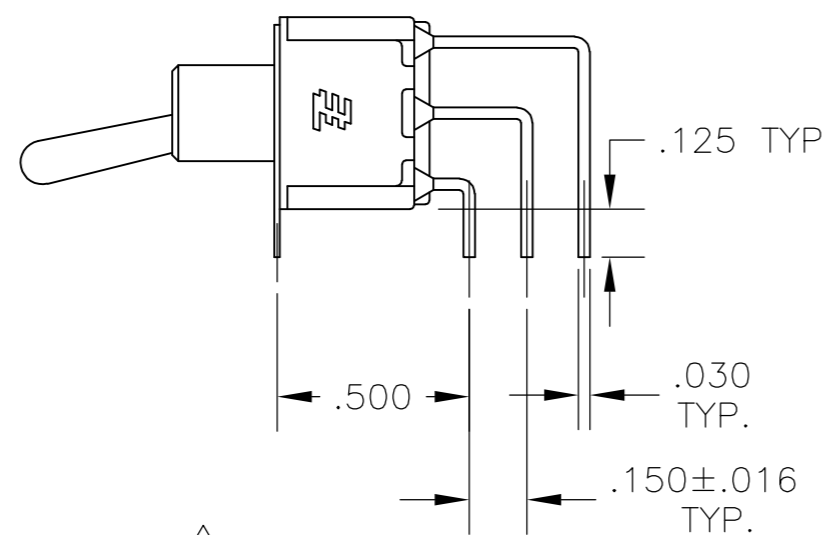
**H** HIGH TORQUE

CONTAINS O-RING BETWEEN TOGGLE AND BUSHING AND BETWEEN BUSHING AND PANEL

THIS DRAWING IS A CONTROLLED DOCUMENT.		DWN M. ZITTO	18MAY05	<b>STE</b> TE Connectivity	
DIMENSIONS: INCHES		CHK M. ZITTO			
TOLERANCES UNLESS OTHERWISE SPECIFIED:		APVD M. ZITTO		NAME GEMINI A SERIES TOGGLE SWITCH, SINGLE POLE, 3 POSITION FUNCTIONS (03, 05 & 07)	
0 PLC ± -		PRODUCT SPEC		SIZE A2	
1 PLC ± -		APPLICATION SPEC		CAGE CODE 00779	
2 PLC ± -				DRAWING NO C=1825137	
3 PLC ± .010				RESTRICTED TO	
4 PLC ± -				SCALE 2:1	
ANGLES ± 2°				SHEET 2 of 4	
FINISH				REV A7	
MATERIAL				CUSTOMER DRAWING	

THIS DRAWING IS UNPUBLISHED. RELEASED FOR PUBLICATION  
 © COPYRIGHT - By - ALL RIGHTS RESERVED.

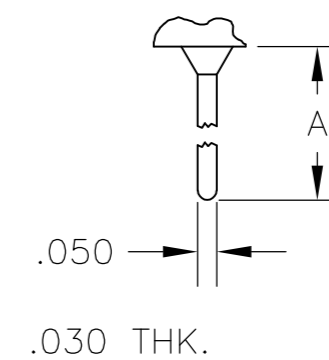
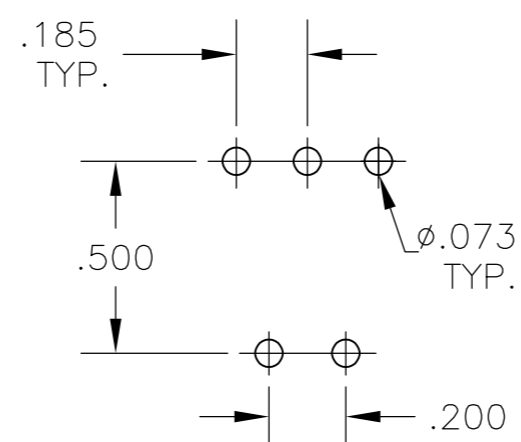
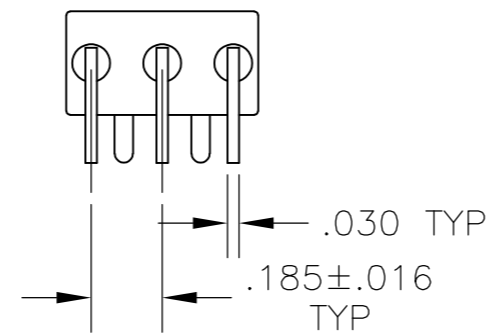
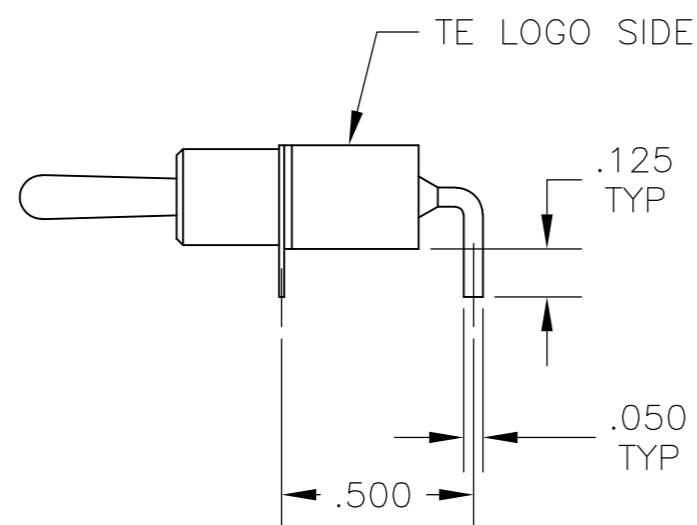
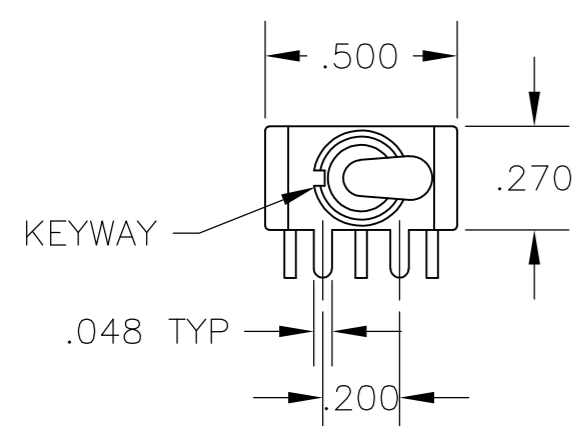
LOC		DIST		REVISIONS			
AD	00	P	LTR	DESCRIPTION	DATE	DWN	APVD
		-	-	SEE SHEET 1	-	-	-



AV2 VERTICAL RIGHT ANGLE  $\triangle 5$

Z WIRE LUG

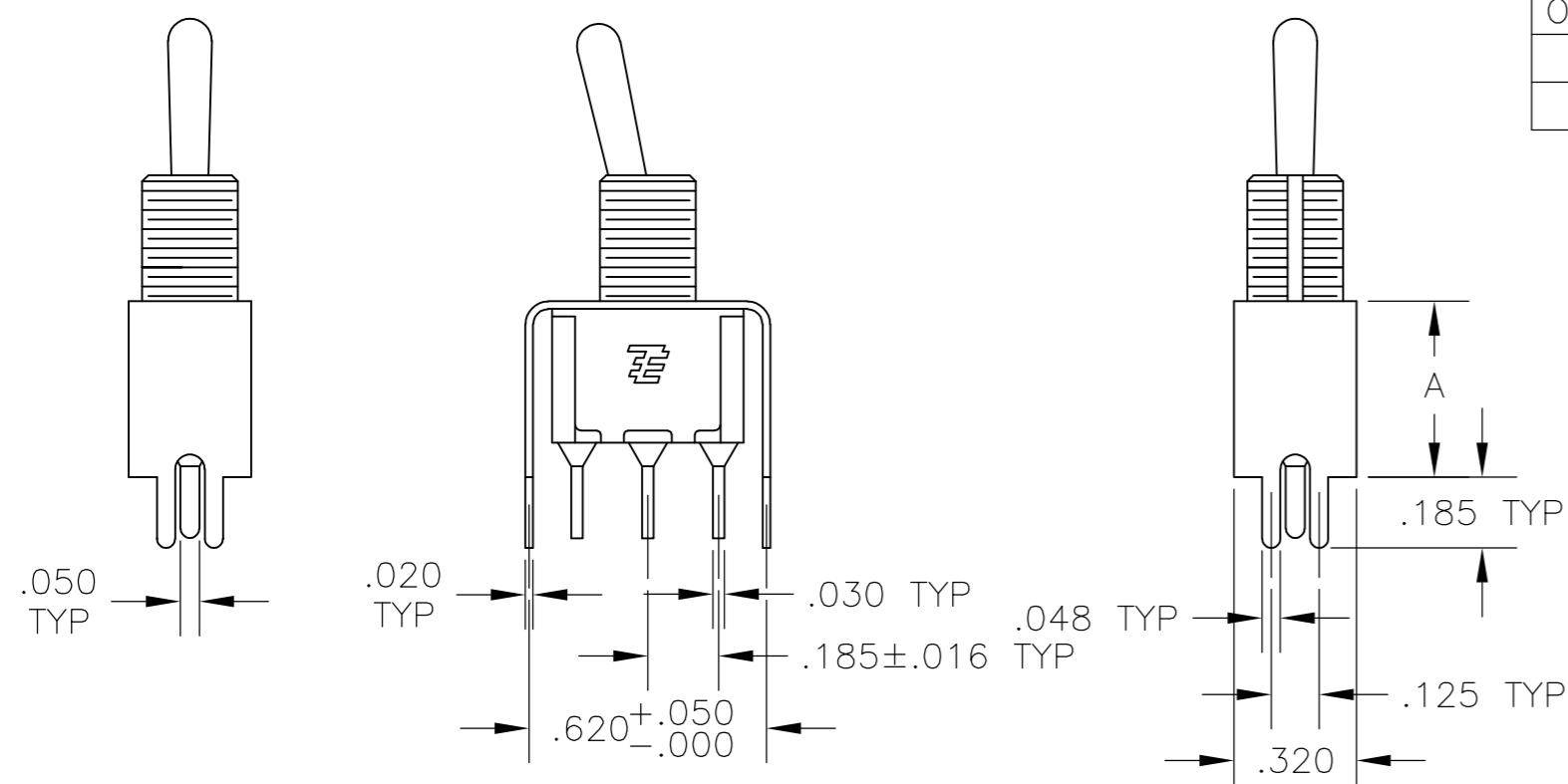
Z3 QUICK CONNECT



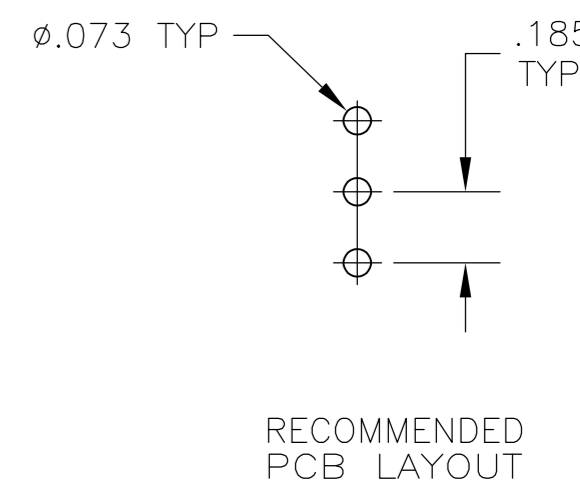
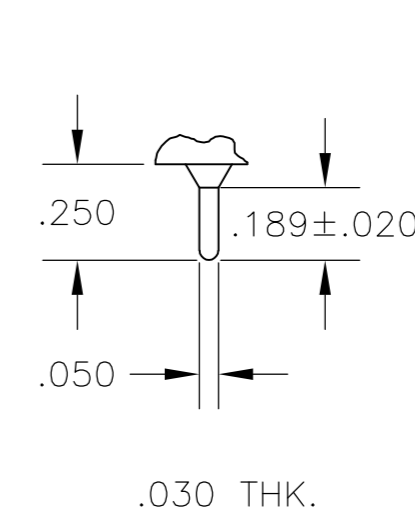
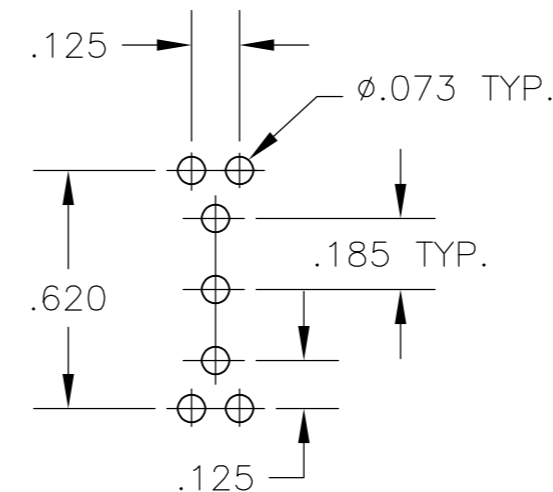
OPTION	DIM A
W	.736
W4	1.062

A RIGHT ANGLE  $\triangle 5$

W W4 WIRE WRAP



OPTION	DIM A
V30	.460
V40	.630



V30 V40  $\triangle 5$   
 VERTICAL SUPPORT BRACKET

C PRINTED CIRCUIT

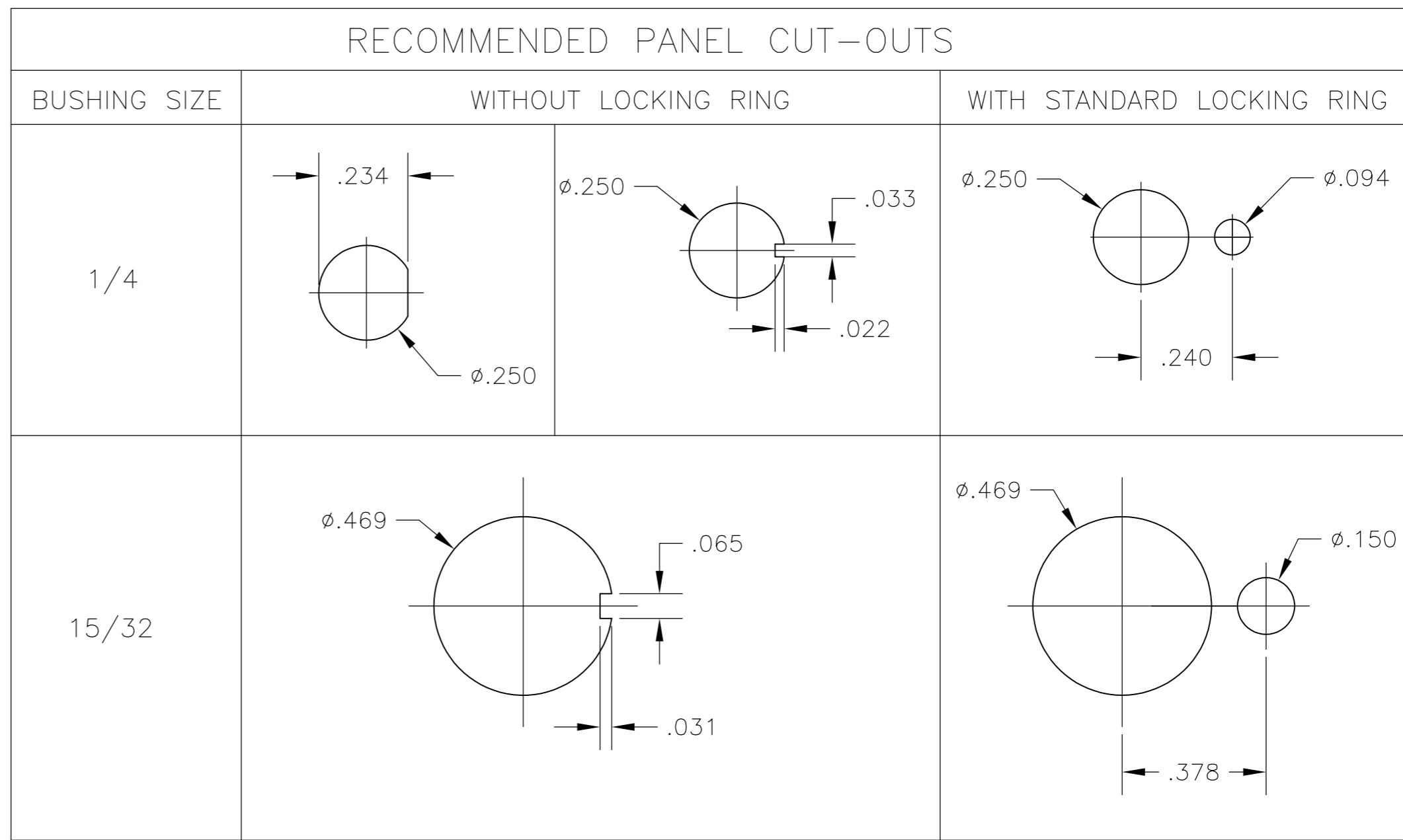
THIS DRAWING IS A CONTROLLED DOCUMENT.

DIMENSIONS: INCHES	TOLERANCES UNLESS OTHERWISE SPECIFIED:	DWN M. ZITTO 18MAY05		NAME
	0 PLC ± -	CHK M. ZITTO		GEMINI A SERIES TOGGLE SWITCH, SINGLE POLE, 3 POSITION FUNCTIONS (03, 05 & 07)
	1 PLC ± -	APVD M. ZITTO		SIZE CAGE CODE DRAWING NO RESTRICTED TO
	2 PLC ± -	PRODUCT SPEC		A2 00779 C=1825137
	3 PLC ± .010	APPLICATION SPEC	SCALE 2:1 SHEET 3 OF 4 REV A7	
MATERIAL	FINISH	WEIGHT	CUSTOMER DRAWING	

THIS DRAWING IS UNPUBLISHED. RELEASED FOR PUBLICATION  
 © COPYRIGHT - By - ALL RIGHTS RESERVED.

LOC	DIST	REVISIONS					
AD	00	P	LTR	DESCRIPTION	DATE	DWN	APVD
		-		SEE SHEET 1	-	-	-

Alco P/N	P/N	
A103KZQ04	1825137-1	
A103MD9AB04	1825137-2	
A103MD9AG04	1825137-3	
A103MD9AQ04	1825137-4	
A103MD9AV2B04	1825137-5	
A103P3ZQ04	1825137-6	
A103SD9AQ04	1825137-7	
A103SD9AV2B04	1825137-8	
A103SD9AV2Q04	1825137-9	
A103SDCB04	1-1825137-0	
A103SDCQ04	1-1825137-1	
A103SDZQ04	1-1825137-2	
A103SYAQ04	1-1825137-3	
A103SYAV2Q04	1-1825137-4	
A103SYCB04	1-1825137-5	
A103SYCQ04	1-1825137-6	
A103SYWB04	1-1825137-7	
A103SYWQ04	1-1825137-8	
A103SYZB04	1-1825137-9	
A103SYZQ04	2-1825137-0	
A103T1CG04	2-1825137-1	
A103T1ZQ04	2-1825137-2	
A103TZQ04	2-1825137-3	
A105MD9AB04	2-1825137-4	
A105MD9AQ04	2-1825137-5	
A105MYV30Q04	2-1825137-6	
A105P3CG04	2-1825137-7	
A105P3CQ04	2-1825137-8	
A105P3ZQ04	2-1825137-9	
A103MDAB04	3-1825137-0	
A105SD9AB04	3-1825137-1	
A105SD9AV2Q04	3-1825137-2	
A105SD9V30B04	3-1825137-3	
A105SYAB04	3-1825137-4	
A105SYAV2B04	3-1825137-5	
A105SYCB04	3-1825137-6	
A105SYCQ04	3-1825137-7	
A105SYZB04	3-1825137-8	
A105SYZQ04	3-1825137-9	
A105T1ZB04	4-1825137-0	
A105T1ZQ04	4-1825137-1	
A105TZQ04	4-1825137-2	
<del>A107KAV2Q04</del>	<del>4-1825137-3</del>	OBSOLETE
A107KZB04	4-1825137-4	
A107MD9AV2B04	4-1825137-5	
A107MD9CQ04	4-1825137-6	
A107MD9V30Q04	4-1825137-7	
A107P3ZQ04	4-1825137-8	
A107SYAQ04	4-1825137-9	
A107SYCB04	5-1825137-0	
A107SYCQ04	5-1825137-1	
A107SYZQ04	5-1825137-2	
A107TZB04	5-1825137-3	
A105MD9AV2B	5-1825137-4	
A103MD9V30B04	5-1825137-5	PRELIMINARY
A103MCWCB04	5-1825137-6	PRELIMINARY
A103SCWCB04	5-1825137-7	PRELIMINARY



### MATERIALS CHART

COMPONENT NAME	BASE MATERIAL	FINISH
CASE	DAP, RED, UL94 V-0	
FRAME	STAINLESS STEEL	
B TERMINALS & CONTACTS	COPPER	GOLD OVER NICKEL
G TERMINALS & CONTACTS	COPPER	GOLD OVER SILVER
Q TERMINALS & CONTACTS	COPPER	.000400 SILVER
ACTUATOR	PHENOLIC, BLACK, UL94 V-1	
LEVER	BRASS	CHROME
BUSHING	BRASS	NICKEL
SPRING	MUSIC WIRE	
SUPPORT BRACKET	BRASS	TIN
PIVOT PIN	STEEL	NICKEL
LOCK WASHER	STAINLESS STEEL	
LOCKING RING	STAINLESS STEEL	
NUTS	C3604BD BRASS	NICKEL
TERMINAL SEAL	EPOXY	

THIS DRAWING IS A CONTROLLED DOCUMENT. 18MAY05

DWN: M. ZITTO  
 CHK: M. ZITTO  
 APVD: M. ZITTO

TE Connectivity  
**GEMINI A SERIES TOGGLE SWITCH, SINGLE POLE, 3 POSITION FUNCTIONS (03, 05 & 07)**

SIZE: A2 CAGE CODE: 00779 DRAWING NO: 1825137 RESTRICTED TO: -

SCALE: 3:1 SHEET: 4 of 4 REV: A7

CUSTOMER DRAWING



Компания «ЭлектроПласт» предлагает заключение долгосрочных отношений при поставках импортных электронных компонентов на взаимовыгодных условиях!

Наши преимущества:

- Оперативные поставки широкого спектра электронных компонентов отечественного и импортного производства напрямую от производителей и с крупнейших мировых складов;
- Поставка более 17-ти миллионов наименований электронных компонентов;
- Поставка сложных, дефицитных, либо снятых с производства позиций;
- Оперативные сроки поставки под заказ (от 5 рабочих дней);
- Экспресс доставка в любую точку России;
- Техническая поддержка проекта, помощь в подборе аналогов, поставка прототипов;
- Система менеджмента качества сертифицирована по Международному стандарту ISO 9001;
- Лицензия ФСБ на осуществление работ с использованием сведений, составляющих государственную тайну;
- Поставка специализированных компонентов (Xilinx, Altera, Analog Devices, Intersil, Interpoint, Microsemi, Aeroflex, Peregrine, Syfer, Eurofarad, Texas Instrument, Miteq, Cobham, E2V, MA-COM, Hittite, Mini-Circuits, General Dynamics и др.);

Помимо этого, одним из направлений компании «ЭлектроПласт» является направление «Источники питания». Мы предлагаем Вам помощь Конструкторского отдела:

- Подбор оптимального решения, техническое обоснование при выборе компонента;
- Подбор аналогов;
- Консультации по применению компонента;
- Поставка образцов и прототипов;
- Техническая поддержка проекта;
- Защита от снятия компонента с производства.



#### Как с нами связаться

**Телефон:** 8 (812) 309 58 32 (многоканальный)

**Факс:** 8 (812) 320-02-42

**Электронная почта:** [org@eplast1.ru](mailto:org@eplast1.ru)

**Адрес:** 198099, г. Санкт-Петербург, ул. Калинина, дом 2, корпус 4, литера А.