



### Main

|                               |  |
|-------------------------------|--|
| Range of product              | OsiSense XC  |
| Series name                   | Standard format  |
| Product or component type     | Limit switch   |
| Device short name             | XCKS   |
| Sensor design                 | -  |
| Body type                     | Fixed  |
| Head type                     | Rotary head  |
| Material                      | Plastic  |
| Body material                 | Plastic  |
| Head material                 | Plastic  |
| Fixing mode                   | By the body  |
| Movement of operating head    | Rotary   |
| Type of operator              | Spring return roller lever elastomer (variable length, roller diameter 50 mm)            |
| Type of approach              | Lateral approach 1 or 2 programmable direction   |
| Cable entry                   | 1 entry tapped for Pg 13.5 cable gland, cable outer diameter: 0.35...0.47 in (9...12 mm) |
| Number of poles               | 2  |
| Contacts type and composition | 1 NC + 1 NO  |
| Contact operation             | Snap action  |

### Complementary

|   |  |
|---|--|
| Switch actuation  | By 30° cam   |
| Electrical connection                                     | Screw-clamp terminals, clamping capacity: 1 x 0.34...2 x 1.5 mm <sup>2</sup>   |
| Contacts insulation form                                  | Zb   |
| Number of steps   | 1  |
| Positive opening  | With   |
| Minimum torque for tripping                               | 0.88 lbf.in (0.1 N.m)  |
| Minimum actuation speed                                   | 0.01 m/min   |
| Maximum actuation speed                                   | 4.92 ft/s (1.5 m/s)  |
| Contact code designation                                  | A300, AC-15 (U <sub>e</sub> = 240 V, I <sub>e</sub> = 3 A) conforming to EN/IEC 60947-5-1 appendix A<br>Q300, DC-13 (U <sub>e</sub> = 250 V, I <sub>e</sub> = 0.27 A) conforming to EN/IEC 60947-5-1 appendix A  |
| [I <sub>th</sub> e] conventional enclosed thermal current | 10 A AC  |
| [U <sub>i</sub> ] rated insulation voltage                | 500 V degree of pollution 3 conforming to IEC 60947-1<br>300 V conforming to UL 508<br>300 V conforming to CSA C22.2 No 14   |
| Resistance across terminals                               | <= 25 MOhm conforming to IEC 60255-7 category 3  |
| [U <sub>imp</sub> ] rated impulse withstand voltage       | 6 kV conforming to IEC 60664<br>6 kV conforming to IEC 60947-1   |
| Short-circuit protection                                  | 10 A by gG cartridge fuse  |
| Electrical durability                                     | 5000000 cycles, DC-13, inductive load type, 120 V, 4 W, operating rate: <= 60 cyc/mn, load factor: 0.5 conforming to IEC 60947-5-1 appendix C<br>5000000 cycles, DC-13, inductive load type, 24 V, 10 W, operating rate: <= 60 cyc/mn, load factor: 0.5 conforming to IEC 60947-5-1 appendix C<br>5000000 cycles, DC-13, inductive load type, 48 V, 7 W, operating rate: <= 60 cyc/mn, load factor: 0.5 conforming to IEC 60947-5-1 appendix C |
| Mechanical durability                                     | 20000000 cycles  |
| Width   | 1.97 in (50 mm)  |
| Height  | 5.24...7.4 in (133...188 mm)   |
| Depth   | 2.56 in (65 mm)  |

The information provided in this documentation contains general descriptions and/or technical characteristics of the products contained herein. This documentation is not intended as a substitute for and is not to be used for determining suitability or reliability of these products for specific user applications. It is the duty of any such user or integrator to perform the appropriate and complete risk analysis, evaluation and testing of the products with respect to the relevant specific application or use thereof. Neither Schneider Electric Industries SAS nor any of its affiliates or subsidiaries shall be responsible or liable for misuse of the information contained herein.

|                               |                        |
|-------------------------------|------------------------|
| Product weight                | 0.4 lb(US) (0.18 kg)   |
| Terminals description ISO n°1 | (13-14)NO<br>(21-22)NC |

## Environment

|                                       |   |
|---------------------------------------|---|
| shock resistance                      | 40 gn (duration = 11 ms) conforming to IEC 60068-2-27   |
| vibration resistance                  | (f = 10...500 Hz) 20 gn conforming to IEC 60068-2-6   |
| IP degree of protection               | IP66 conforming to IEC 60529<br>IP67 conforming to IEC 60529  |
| IK degree of protection               | IK05 conforming to EN 50102   |
| electrical shock protection class     | Class II conforming to IEC 61140<br>Class II conforming to NF C 20-030                                      |
| overvoltage category                  | Class II conforming to IEC 61140<br>Class II conforming to NF C 20-030                                      |
| ambient air temperature for operation | -13...158 °F (-25...70 °C)  |
| ambient air temperature for storage   | -40...158 °F (-40...70 °C)  |
| protective treatment                  | TC  |
| product certifications                | CCC<br>CSA<br>UL  |
| standards                             | CENELEC EN 50041<br>EN 60204-1<br>EN 60947-5-1<br>IEC 60204-1<br>IEC 60947-5-1<br>UL 508<br>CSA C22.2 No 14 |

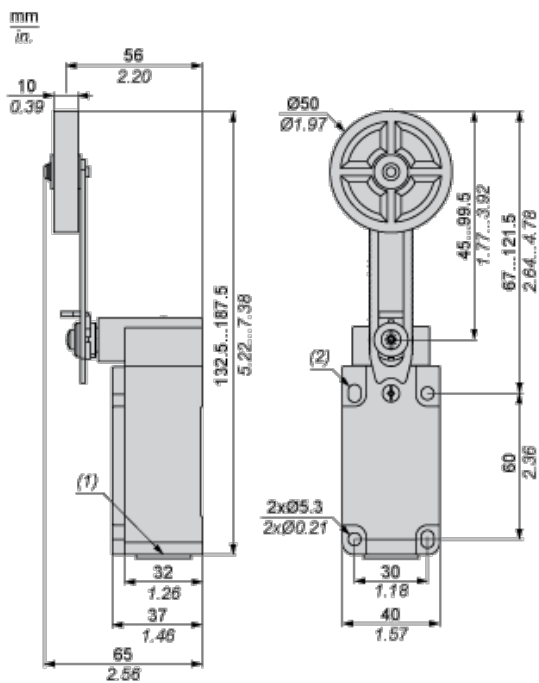
## Offer Sustainability

|  |  |
|--|--|
| Green Premium product  | Green Premium product  |
| Compliant - since 1012 - Schneider Electric declaration of conformity  | Compliant - since 1012 - Schneider Electric declaration of conformity  |
| Reference not containing SVHC above the threshold  | Reference not containing SVHC above the threshold  |
| Available  | Available  |
| Available  | Available  |
| WARNING: This product can expose you to chemicals including:   | WARNING: This product can expose you to chemicals including:   |
| Diisononyl phthalate (DINP), which is known to the State of California to cause cancer, and                                | Diisononyl phthalate (DINP), which is known to the State of California to cause cancer, and                                |
| Di-isodecyl phthalate (DIDP), which is known to the State of California to cause birth defects or other reproductive harm. | Di-isodecyl phthalate (DIDP), which is known to the State of California to cause birth defects or other reproductive harm. |
| For more information go to <a href="http://www.p65warnings.ca.gov">www.p65warnings.ca.gov</a>                              | For more information go to <a href="http://www.p65warnings.ca.gov">www.p65warnings.ca.gov</a>                              |

## Contractual warranty

|                 |           |
|-----------------|-----------|
| Warranty period | 18 months |
|-----------------|-----------|

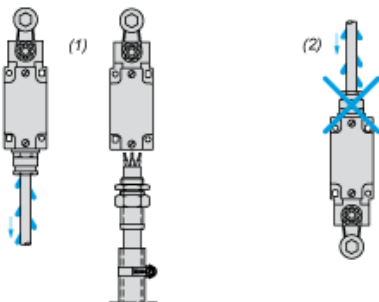
## Dimensions



- (1) 1 tapped entry for Pg 13.5 cable gland
- (2) 2 elongated holes  $\text{Ø} 5.3 \times 7.3$ .

## Mounting with Cable Entry

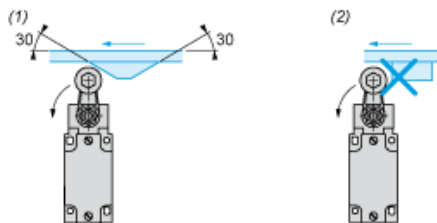
### Position of Cable Gland



- (1) Recommended
- (2) To be avoided

## Mounting with Rotary Heads and Levers

### Type of Cam



- (1) Recommended
- (2) To be avoided

## Setting-up

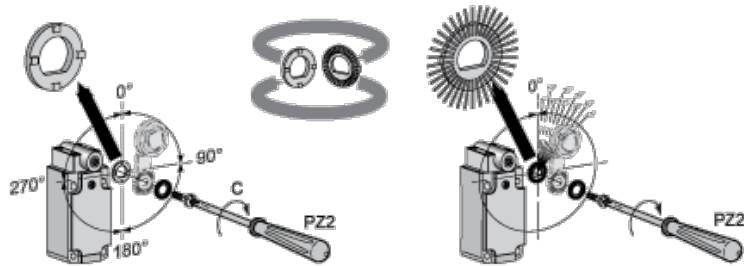
### Head Rotation Adjustment



C : 1 Nm (+/- 20%) / 8.85 lb-in (+/- 20%)

## Setting-up

### Lever Angle Adjustment



C : 1 Nm (+/- 20%) / 8.85 lb-in (+/- 20%)

## Setting-up with Head ZCKD05

### Direction of Actuation Programming



C : 1 Nm (+/- 20%) / 8.85 lb-in (+/- 20%)

## Wiring Diagram

### 2-pole NC + NO Snap Action

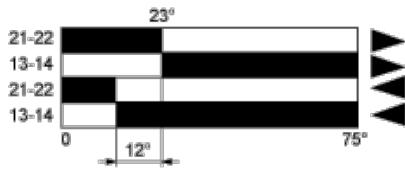


## Characteristics of Actuation

### Switch Actuation by 30° Cam



## Functionnal Diagram



- (1)
- (2)
- ▶ (3)
- ◀ (4)

- (1) Closed
- (2) Open
- (3) Tripping
- (4) Resetting



Компания «ЭлектроПласт» предлагает заключение долгосрочных отношений при поставках импортных электронных компонентов на взаимовыгодных условиях!

Наши преимущества:

- Оперативные поставки широкого спектра электронных компонентов отечественного и импортного производства напрямую от производителей и с крупнейших мировых складов;
- Поставка более 17-ти миллионов наименований электронных компонентов;
- Поставка сложных, дефицитных, либо снятых с производства позиций;
- Оперативные сроки поставки под заказ (от 5 рабочих дней);
- Экспресс доставка в любую точку России;
- Техническая поддержка проекта, помощь в подборе аналогов, поставка прототипов;
- Система менеджмента качества сертифицирована по Международному стандарту ISO 9001;
- Лицензия ФСБ на осуществление работ с использованием сведений, составляющих государственную тайну;
- Поставка специализированных компонентов (Xilinx, Altera, Analog Devices, Intersil, Interpoint, Microsemi, Aeroflex, Peregrine, Syfer, Eurofarad, Texas Instrument, Miteq, Cobham, E2V, MA-COM, Hittite, Mini-Circuits, General Dynamics и др.);

Помимо этого, одним из направлений компании «ЭлектроПласт» является направление «Источники питания». Мы предлагаем Вам помощь Конструкторского отдела:

- Подбор оптимального решения, техническое обоснование при выборе компонента;
- Подбор аналогов;
- Консультации по применению компонента;
- Поставка образцов и прототипов;
- Техническая поддержка проекта;
- Защита от снятия компонента с производства.



#### Как с нами связаться

**Телефон:** 8 (812) 309 58 32 (многоканальный)

**Факс:** 8 (812) 320-02-42

**Электронная почта:** [org@eplast1.ru](mailto:org@eplast1.ru)

**Адрес:** 198099, г. Санкт-Петербург, ул. Калинина, дом 2, корпус 4, литера А.