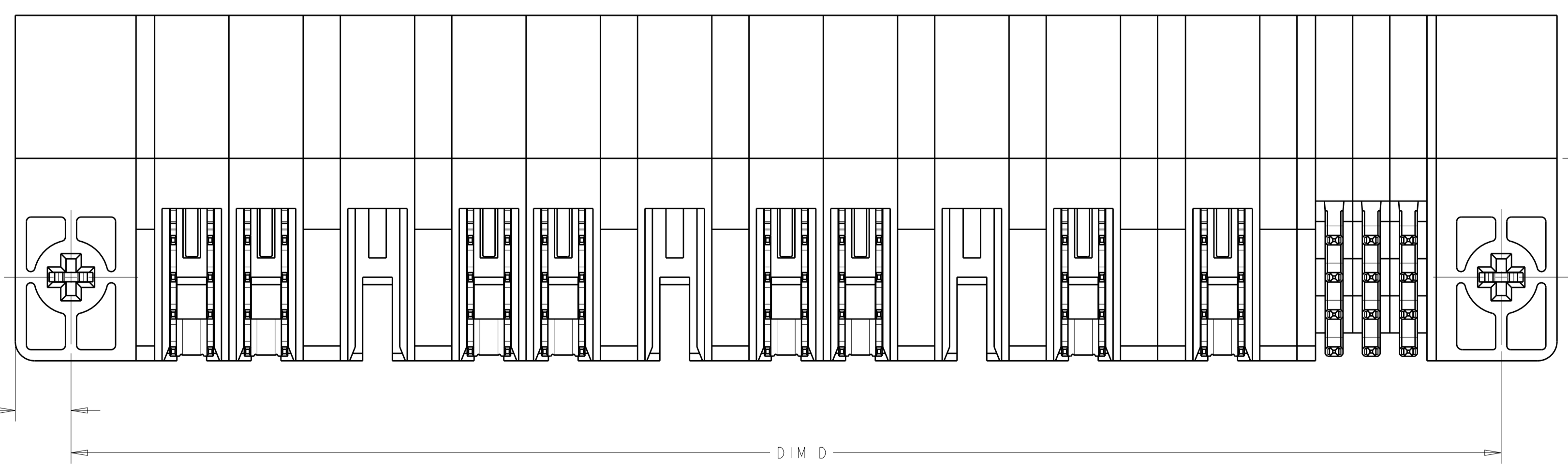
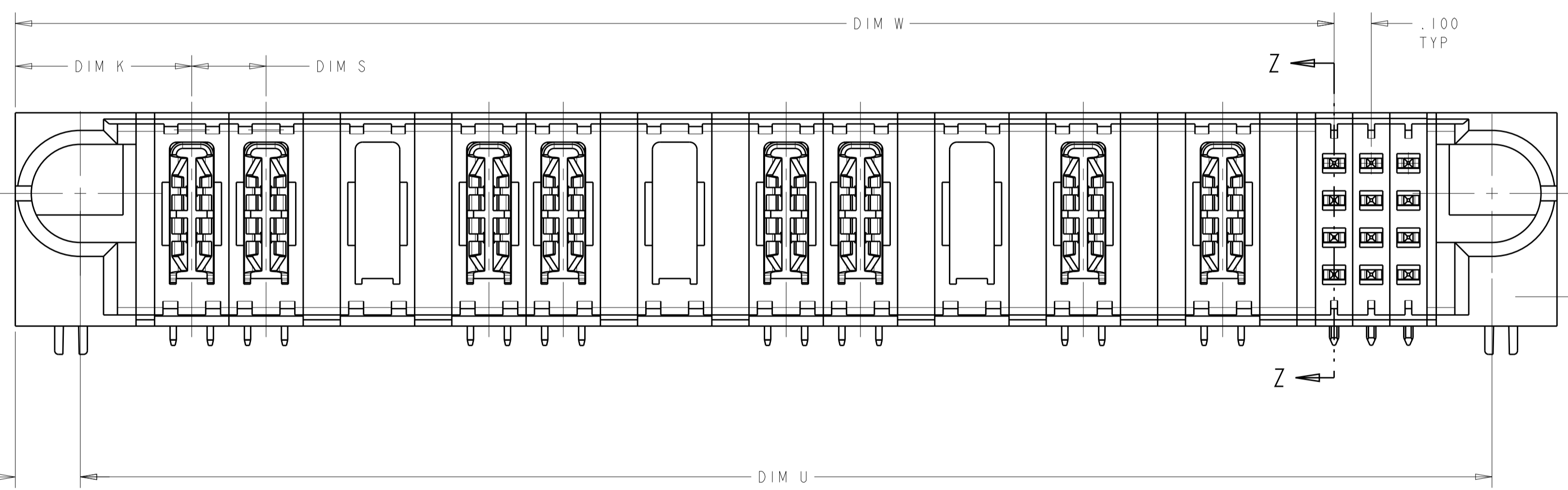
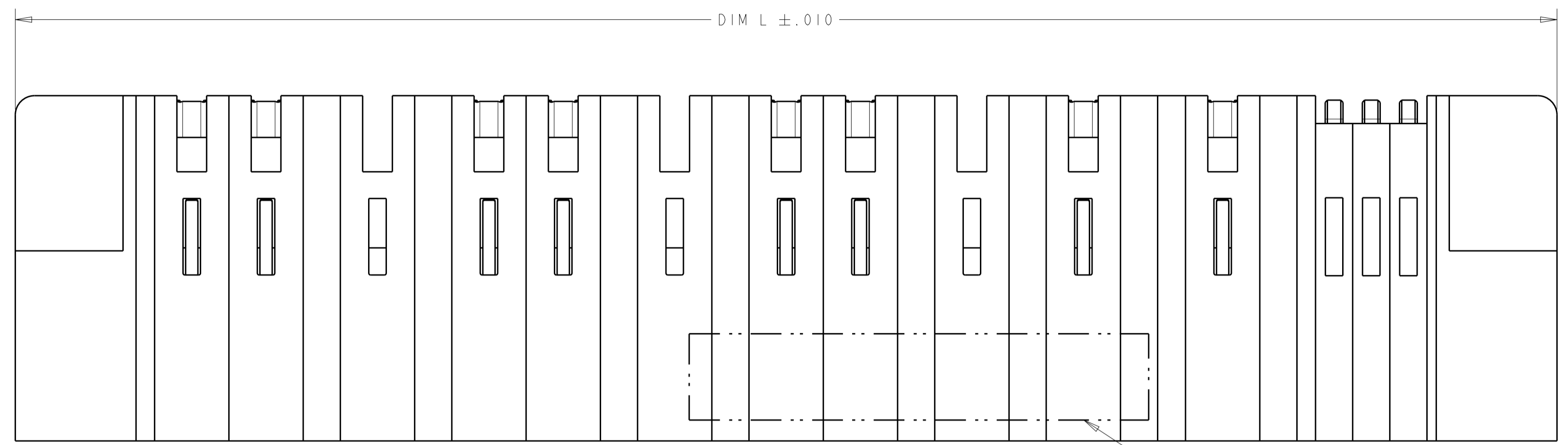
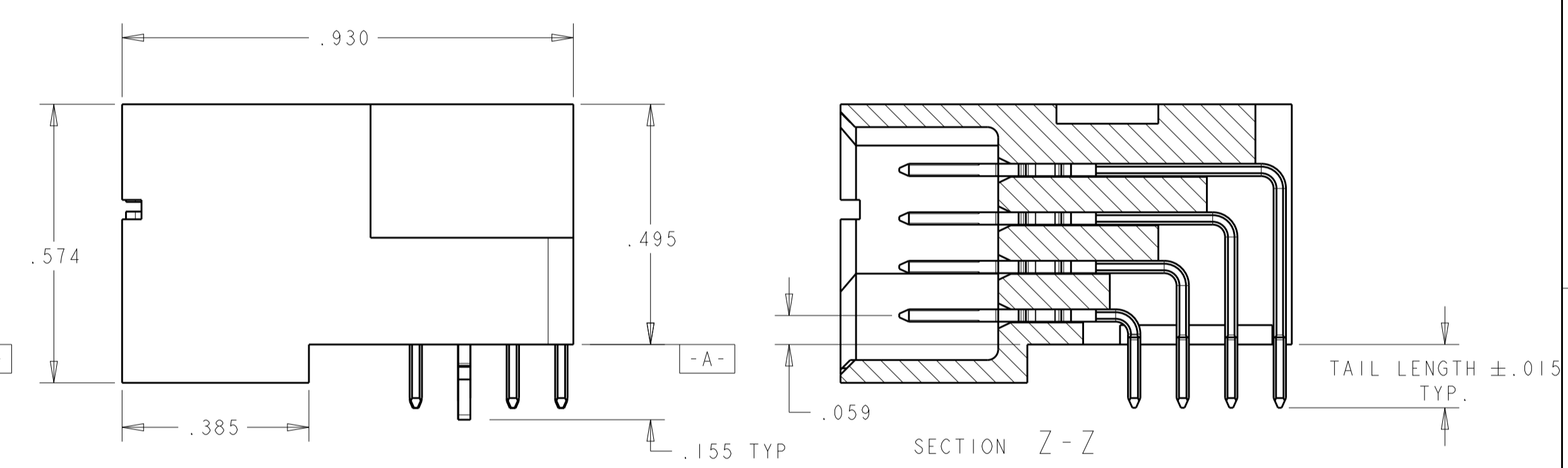


| LOC | DIST | REVISIONS | | | |
|-----|------|-------------------------|-----------|-----|------|
| P | LTN | DESCRIPTION | DATE | DWN | APVD |
| E8 | | RELEASE 2-3 | 10AUG2014 | CZ | SZ |
| E9 | | ADD NEW DASH NUMBER 3-0 | 19AUG2014 | CZ | SZ |



- 1 "AMP" TRADEMARK, PART NUMBER, AND DATE CODE TO BE MARKED IN AREA SHOWN
- 2 MATERIAL:
HOUSING - GLASS FILLED HIGH TEMP THERMO PLASTIC, UL94 V-0
SIGNAL CONTACT - COPPER ALLOY
POWER CONTACT - HIGH CONDUCTIVITY COPPER ALLOY
- 3 CONTACT PLATING: NOBLE METAL PLATING ON CONTACT FUNCTIONAL AREA OF POWER AND SIGNAL CONTACTS.
- 4 MECHANICAL CONNECTOR KEEP OUT ZONE.
- 5 DATUM AND BASIC DIMENSIONS ESTABLISHED BY CUSTOMER.
- 6 PCB - ALL HOLES DIAMETERS ARE FINISHED HOLE SIZES.
- 7 PCB - .0453±.0010 DRILLED HOLES PLATED WITH .0003 MIN. Sn OVER .001 TO .003 CU PLATING TO ACHIEVE A .040±.003 DIA HOLE.
- 8 NOT RELEASED FOR PRODUCTION
- 9 VARIABLE DIMENSIONS SHOWN ON VIEW (SHEET 2)



THIS DRAWING IS A CONTROLLED DOCUMENT. DWN: R. GRZYBOWSKI 02FEB05
 CHK: M. PERCHERKE 02FEB05

STE TE Connectivity

NAME: RIGHT ANGLE HEADER ASSY W/GUIDES MULTI-BEAM XL

PRODUCT SPEC: 108-1973
 APPLICATION SPEC: 114-13038

SIZE: A1 00779 C=6450122
 CAGE CODE: 6450122


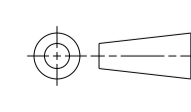
MATERIAL: 2 FINISH: 3

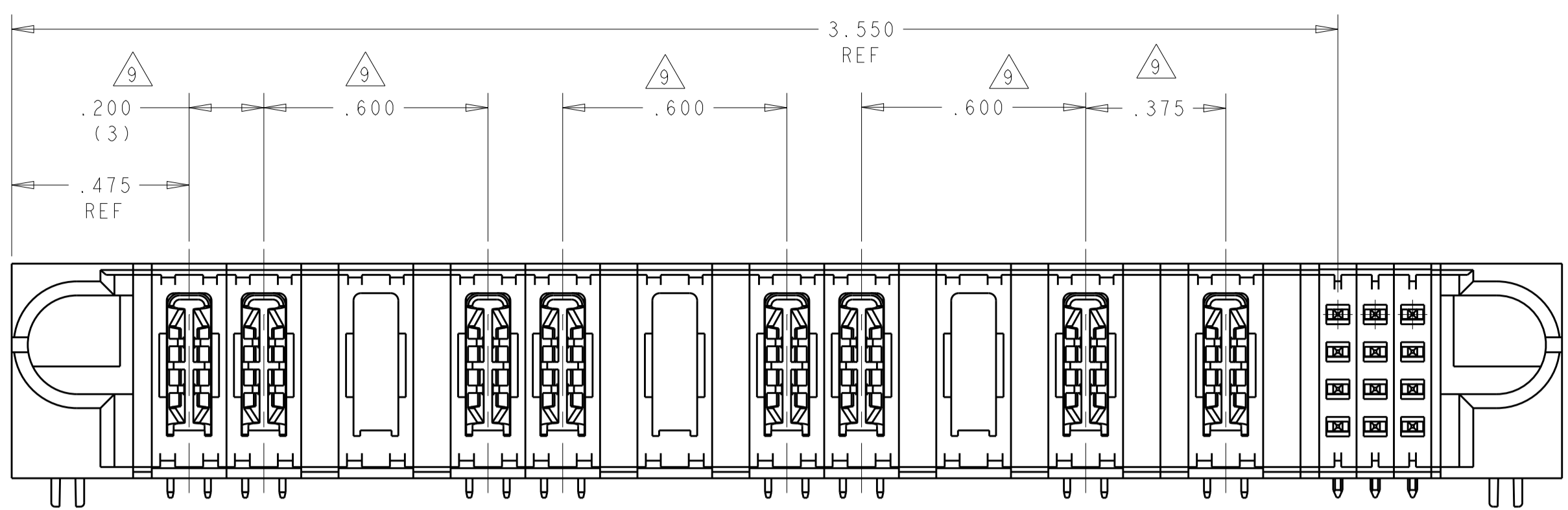
CUSTOMER DRAWING SCALE: 4:1 SHEET 1 OF 10 REV: E9

THIS DRAWING IS UNPUBLISHED. RELEASED FOR PUBLICATION 20
 © COPYRIGHT 20 BY - ALL RIGHTS RESERVED.

| LOC | DIST | REVISIONS | | | | | |
|-----|------|-----------|-----|-------------|------|-----|------|
| | | P | LTN | DESCRIPTION | DATE | DWN | APVD |
| GP | 00 | - | - | SEE SHEET 1 | - | - | - |
| | | | | | | | |
| | | | | | | | |

| | | | | | | | | |
|----|-------|-------|-------|-------|-------|-------|-------------|-------------|
| E9 | 1.700 | .250 | 1.375 | 1.750 | .450 | 2.050 | 4P + 16S | 3-6450122-0 |
| | 2.400 | .250 | 1.875 | 2.450 | .450 | 2.750 | 6P + 24S | 2-6450122-9 |
| | 1.300 | .250 | 1.175 | 1.350 | .450 | 1.650 | 3P + 8S | 2-6450122-8 |
| | 2.050 | .250 | 1.925 | 2.100 | .450 | 2.400 | 6P + 8S | 2-6450122-7 |
| | 4.425 | .200 | 2.200 | 4.475 | .450 | 4.775 | 9P + 92S | 2-6450122-6 |
| | 2.900 | .250 | 2.375 | 2.950 | .450 | 3.250 | 8P + 24S | 2-6450122-5 |
| | 2.700 | .250 | .875 | 2.750 | .450 | 3.050 | 2P + 76S | 2-6450122-4 |
| | 2.300 | .250 | 1.875 | 2.350 | .450 | 2.650 | 6P + 20S | 2-6450122-3 |
| | 3.200 | .250 | 2.875 | 3.250 | .450 | 3.550 | 10P + 16S | 2-6450122-2 |
| | 1.650 | .200 | 1.225 | 1.700 | .450 | 2.000 | 4P + 20S | 2-6450122-1 |
| | 2.950 | .200 | 2.425 | 3.000 | .450 | 3.300 | 10P + 24S | 2-6450122-0 |
| | 1.800 | .250 | 1.375 | 1.850 | .450 | 2.150 | 4P + 20S | 1-6450122-9 |
| | 2.250 | .250 | 1.975 | 2.300 | .475 | 2.600 | 6P + 12S | 1-6450122-7 |
| | 1.000 | .250 | .875 | 1.050 | .450 | 1.350 | 2P + 8S | 1-6450122-6 |
| | 1.850 | .300 | 1.325 | 1.900 | .475 | 2.200 | 3ACP + 24S | 1-6450122-2 |
| | 5.900 | .250 | 5.375 | 5.950 | .450 | 6.250 | 20P + 24S | 1-6450122-1 |
| | 1.400 | .250 | .875 | 1.450 | .450 | 1.750 | 2P + 24S | 1-6450122-0 |
| | 3.050 | .250 | 2.125 | 3.100 | .450 | 3.400 | 7P + 40S | 6450122-8 |
| | 4.425 | .250 | 3.875 | 4.475 | .450 | 4.775 | 14P + 24S | 6450122-6 |
| | 3.800 | .250 | 3.550 | 3.850 | .475 | 4.150 | 11P + 12S | 6450122-3 |
| | 4.600 | .250 | 3.875 | 4.650 | .450 | 4.950 | 14P + 32S | 6450122-2 |
| | 3.800 | .250 | 3.550 | 3.850 | .475 | 4.150 | 11P + 12S | 6450122-1 |
| | DIM U | DIM S | DIM W | DIM D | DIM K | DIM L | DESCRIPTION | PART NUMBER |

| | | | | |
|---|---|---|---|---|
| THIS DRAWING IS A CONTROLLED DOCUMENT. | | DWN R. GRZYBOWSKI CHK M. PERCHERKE | 02FEB05 02FEB05 |  TE Connectivity |
| DIMENSIONS: INCHES | TOLERANCES UNLESS OTHERWISE SPECIFIED: | APVD M. PERCHERKE | NAME RIGHT ANGLE HEADER ASSY W/GUIDES MULTI-BEAM XL | |
| 0 PLC ±. 1 PLC ±.01 2 PLC ±.01 3 PLC ±.005 4 PLC ±.0020 ANGLES ±.2 |  | PRODUCT SPEC 108-1973 | APPLICATION SPEC 114-13038 | SIZE A100779 |
| MATERIAL | FINISH | WEIGHT | CAGE CODE 6450122 | DRAWING NO 6450122 |
| CUSTOMER DRAWING | | | SCALE 4:1 | SHEET 2 OF 10 |



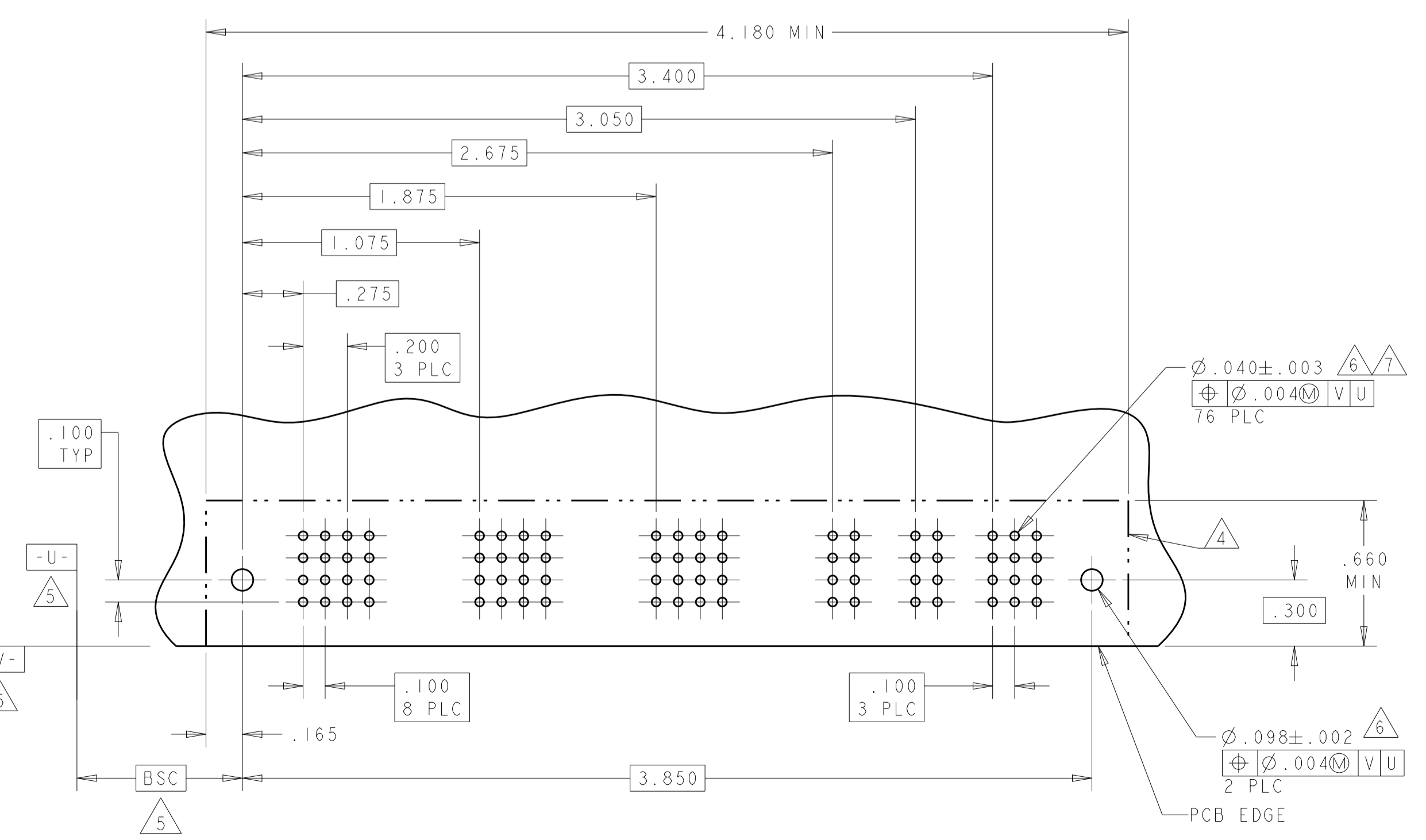
SCALE 3:1

| PART NUMBER | ROWS | POWER | | | | | | | | | | SIGNAL | | | | |
|-------------|------------------|-------|----|----|----|----|----|----|----|----|-----|--------|---|---|----|----|
| | | P1 | P2 | P3 | P4 | P5 | P6 | P7 | P8 | P9 | P10 | P11 | 1 | 2 | 3 | |
| 6450122-1 | D C B A | PM | PM | PM | PM | PM | PM | PM | PM | PM | PM | J | J | J | HD | HD |
| 11P + 12S | | | | | | | | | | | | | | | | |

NO CONTACT LOADED

| PART NUMBER | ROWS | POWER | | | | | | | | | | SIGNAL | | | | |
|-------------|------------------|-------|----|----|----|----|----|----|----|----|-----|--------|---|---|----|----|
| | | P1 | P2 | P3 | P4 | P5 | P6 | P7 | P8 | P9 | P10 | P11 | 1 | 2 | 3 | |
| 6450122-3 | D C B A | PM | PM | PM | PM | PM | PM | PM | PM | PM | PM | J | J | J | HD | HD |
| 11P + 12S | | | | | | | | | | | | | | | | |

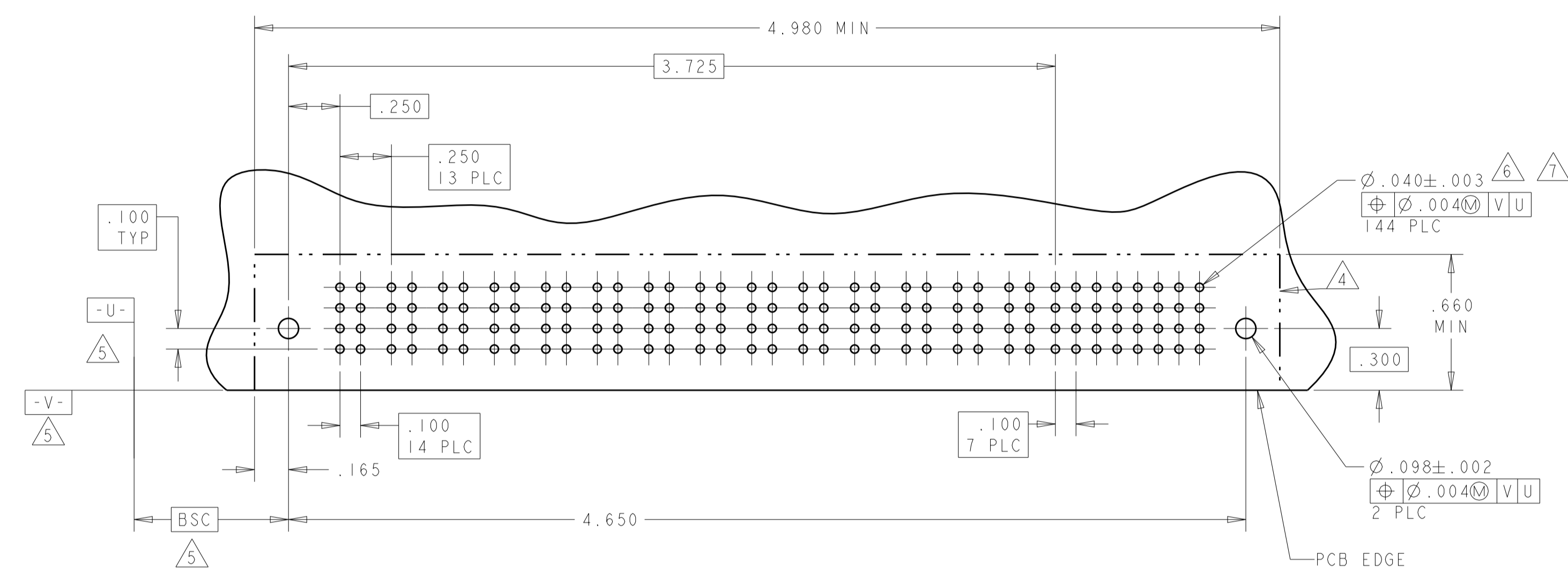
NO CONTACT LOADED



PCB EDGE

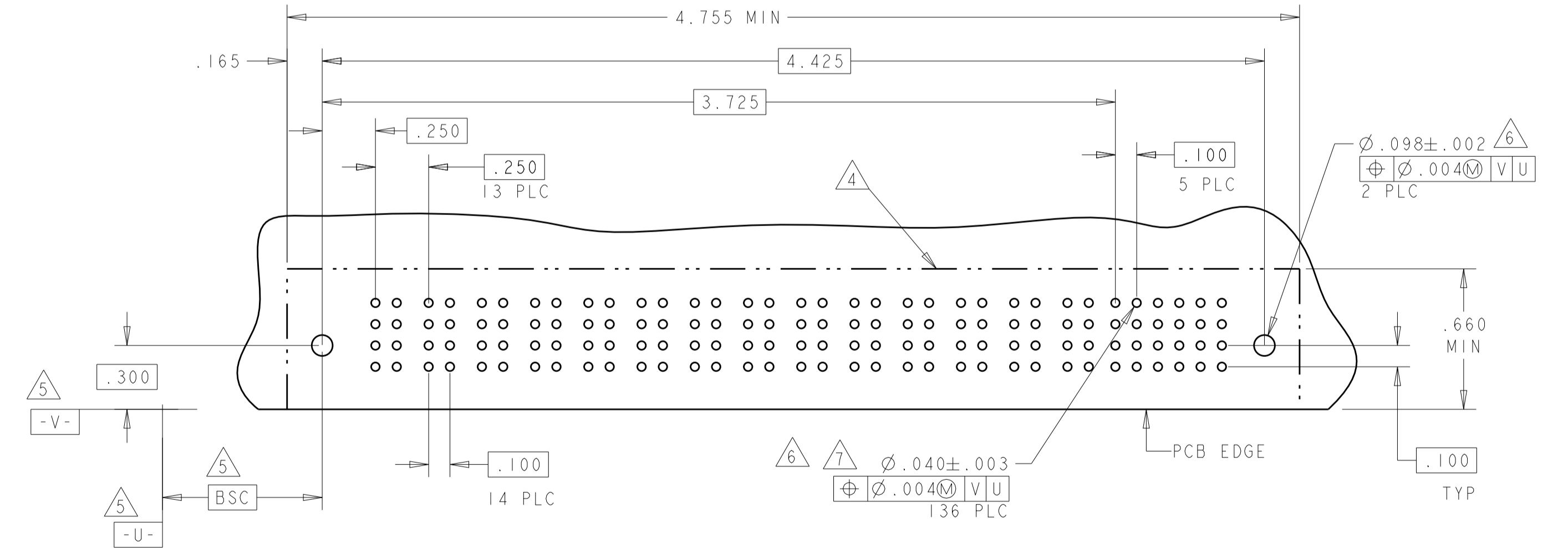
| LOC | DIST | REVISIONS | | | |
|-----|------|-------------|------|-----|------|
| P | LTN | DESCRIPTION | DATE | DMN | APVD |
| GP | 00 | SEE SHEET 1 | | | |

| PART NUMBER | ROWS | POWER | | | | | | | | | | | | | | SIGNAL | | | | | | | | | | | |
|-------------|------------------|-------|----|----|----|----|----|----|----|----|-----|-----|-----|-----|-----|--------|---|---|---|---|---|---|---|----|----|--|--|
| | | P1 | P2 | P3 | P4 | P5 | P6 | P7 | P8 | P9 | P10 | P11 | P12 | P13 | P14 | 1 | 2 | 3 | 4 | 5 | 6 | 7 | 8 | | | | |
| 6450122-2 | D C B A | PM | PM | PM | PM | PM | PM | PM | PM | PM | PM | PM | PM | PM | PM | J | J | J | J | J | J | J | J | HD | HD | | |
| 14P + 32S | | | | | | | | | | | | | | | | | | | | | | | | | | | |



PCB EDGE

| PART NUMBER | ROWS | POWER | | | | | | | | | | | | | | SIGNAL | | | | | | | | | | | |
|-------------|------------------|-------|----|----|----|----|----|----|----|----|-----|-----|-----|-----|-----|--------|---|---|---|---|---|----|----|--|--|--|--|
| | | P1 | P2 | P3 | P4 | P5 | P6 | P7 | P8 | P9 | P10 | P11 | P12 | P13 | P14 | 1 | 2 | 3 | 4 | 5 | 6 | | | | | | |
| 6450122-6 | D C B A | PM | PM | PM | PM | PM | PM | PM | PM | PM | PM | PM | PM | PM | PM | J | J | J | J | J | J | HD | HD | | | | |
| 14P + 24S | | | | | | | | | | | | | | | | | | | | | | | | | | | |



PCB EDGE

| Z | STD | .090 | D |
|---|------|------|---|
| Y | STD | .090 | C |
| R | STD | .090 | B |
| O | STD | .090 | A |
| H | MLBF | .135 | A |
| J | STD | .135 | D |
| K | STD | .135 | C |
| N | STD | .135 | B |
| S | STD | .135 | A |

| PA | .090 |
|---------------|-------------|
| PM | .135 |
| CODE | TAIL LENGTH |
| POWER CONTACT | |

THIS DRAWING IS A CONTROLLED DOCUMENT.

OWN: R. GRZYBOWSKI 02FEB05
 CHK: M. PERCHERKE 02FEB05
 APVD: M. PERCHERKE

PRODUCT SPEC: 108-1973
 APPLICATION SPEC: 114-13038
 WEIGHT: 114-13038

NAME: RIGHT ANGLE HEADER ASSY W/GUIDES MULTI-BEAM XL
 SIZE: A1
 CAGE CODE: 100779
 DRAWING NO: 6450122

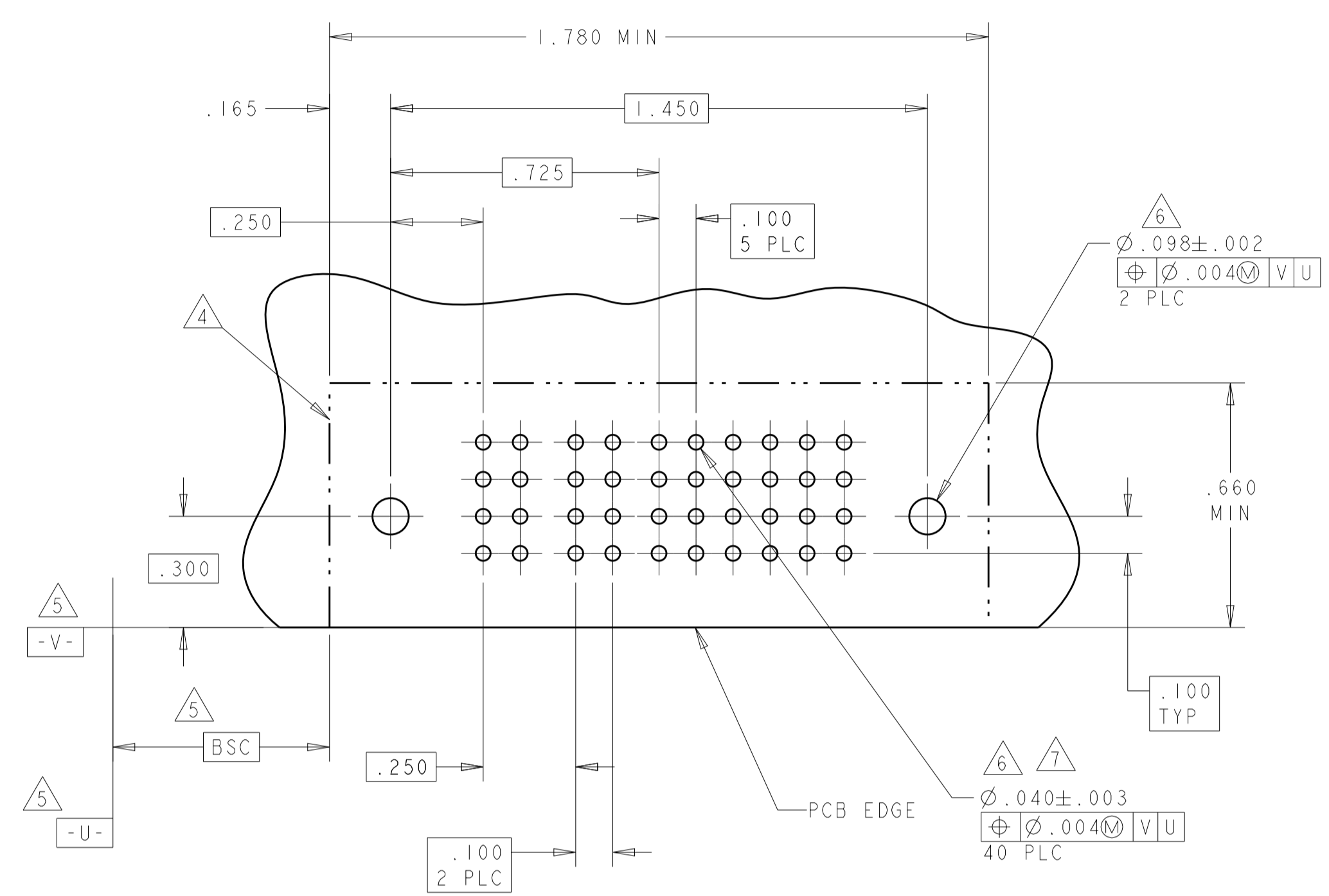
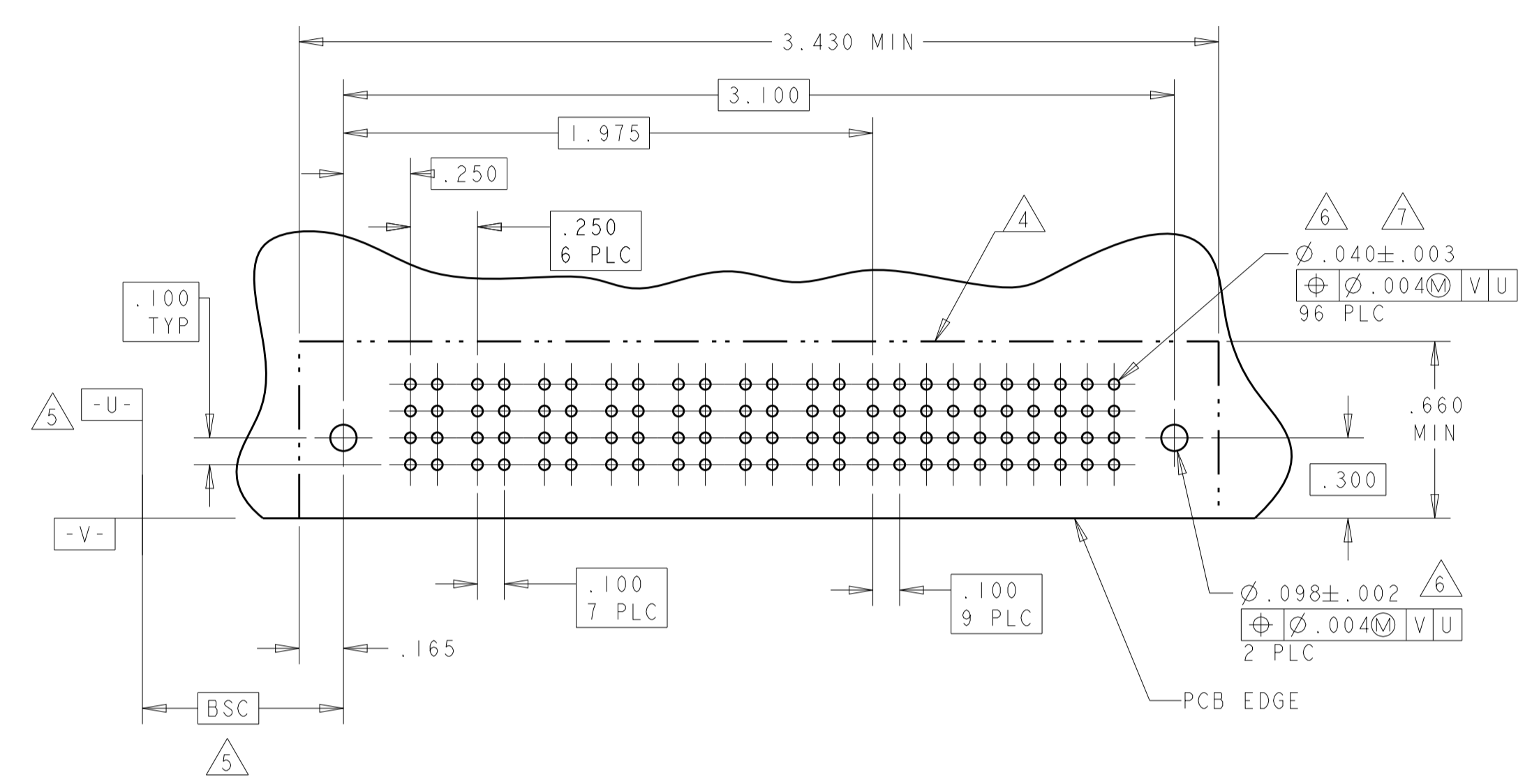
TE Connectivity

SCALE: 4:1 SHEET 3 OF 10 REV: E9

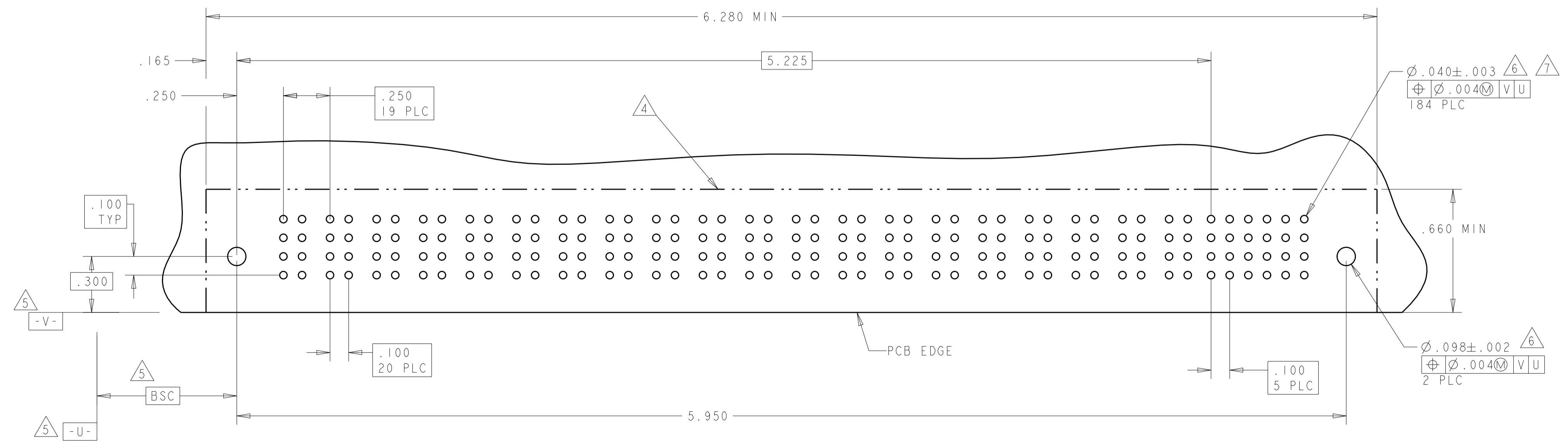
| LOC | DIST | REVISIONS | | | |
|-----|------|-------------|------|----|------|
| GP | 00 | REV | DATE | BY | APPV |
| | | 1 | | | |
| | | SEE SHEET 1 | | | |

| PART NUMBER | ROWS | POWER | | | | | | | SIGNAL | | | | | | | | | |
|-------------|------------------|-------|----|----|----|----|----|----|--------|---|---|---|---|---|---|---|---|----|
| | | P1 | P2 | P3 | P4 | P5 | P6 | P7 | 1 | 2 | 3 | 4 | 5 | 6 | 7 | 8 | 9 | 10 |
| 6450122-8 | D C B A | PM | PM | PM | PM | PM | PM | PM | J | J | J | J | J | J | J | J | J | J |
| | | | | | | | | | K | K | K | K | K | K | K | K | K | K |
| | | | | | | | | | N | N | N | N | N | N | N | N | N | N |
| | | | | | | | | | S | S | S | S | S | S | S | S | S | S |
| 7P + 40S | | | | | | | | | | | | | | | | | | |

| PART NUMBER | ROWS | POWER | | SIGNAL | | | | | |
|-------------|------------------|-------|----|--------|---|---|---|---|---|
| | | P1 | P2 | 1 | 2 | 3 | 4 | 5 | 6 |
| 1-6450122-0 | D C B A | PM | PM | J | J | J | J | J | J |
| | | | | K | K | K | K | K | K |
| | | | | N | N | N | N | N | N |
| | | | | S | S | S | S | S | S |
| 2P + 24S | | | | | | | | | |



| PART NUMBER | ROWS | POWER | | | | | | | | | | | | | | | | | | | | SIGNAL | | | | | |
|-------------|------------------|-------|----|----|----|----|----|----|----|----|-----|-----|-----|-----|-----|-----|-----|-----|-----|-----|-----|--------|---|---|---|---|---|
| | | P1 | P2 | P3 | P4 | P5 | P6 | P7 | P8 | P9 | P10 | P11 | P12 | P13 | P14 | P15 | P16 | P17 | P18 | P19 | P20 | 1 | 2 | 3 | 4 | 5 | 6 |
| 1-6450122-1 | D C B A | PM | PM | PM | PM | PM | PM | PM | PM | PM | PM | PM | PM | PM | PM | PM | PM | PM | PM | PM | PM | J | J | J | J | J | J |
| | | | | | | | | | | | | | | | | | | | | | | K | K | K | K | K | K |
| | | | | | | | | | | | | | | | | | | | | | | N | N | N | N | N | N |
| | | | | | | | | | | | | | | | | | | | | | | S | S | S | S | S | S |
| 20P + 24S | | | | | | | | | | | | | | | | | | | | | | | | | | | |



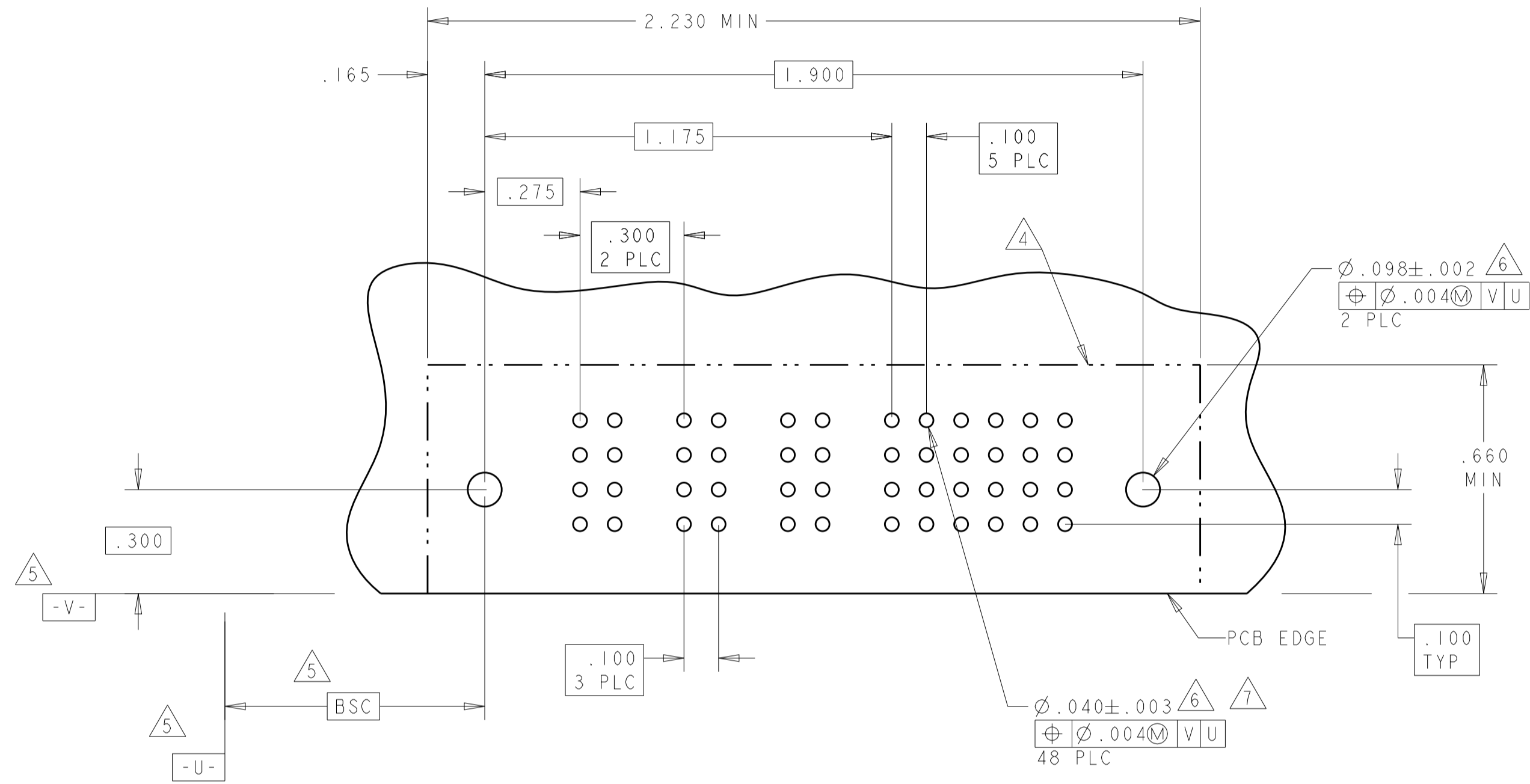
THIS DRAWING IS A CONTROLLED DOCUMENT.

| | | | | | |
|--------------------|--|-----------------------------|---------------------------|-------------------|--------------------|
| DIMENSIONS: INCHES | TOLERANCES UNLESS OTHERWISE SPECIFIED: | OWN: R. GRZYBOWSKI 02FEB05 | CHK: M. PERCHERKE 02FEB05 | APV: M. PERCHERKE | NAME: M. PERCHERKE |
| | 0 PLC ±.01 | PRODUCT SPEC: 108-1973 | | | |
| | 1 PLC ±.01 | APPLICATION SPEC: 114-13038 | | | |
| | 2 PLC ±.01 | WEIGHT: - | | | |
| | 3 PLC ±.01 | CUSTOMER DRAWING | | | |
| | 4 PLC ±.0020 | SCALE: 4:1 | | | |
| | ANGLES ±.2 | SHEET: 4 OF 10 | | | |
| MATERIAL: - | FINISH: - | REV: E9 | | | |

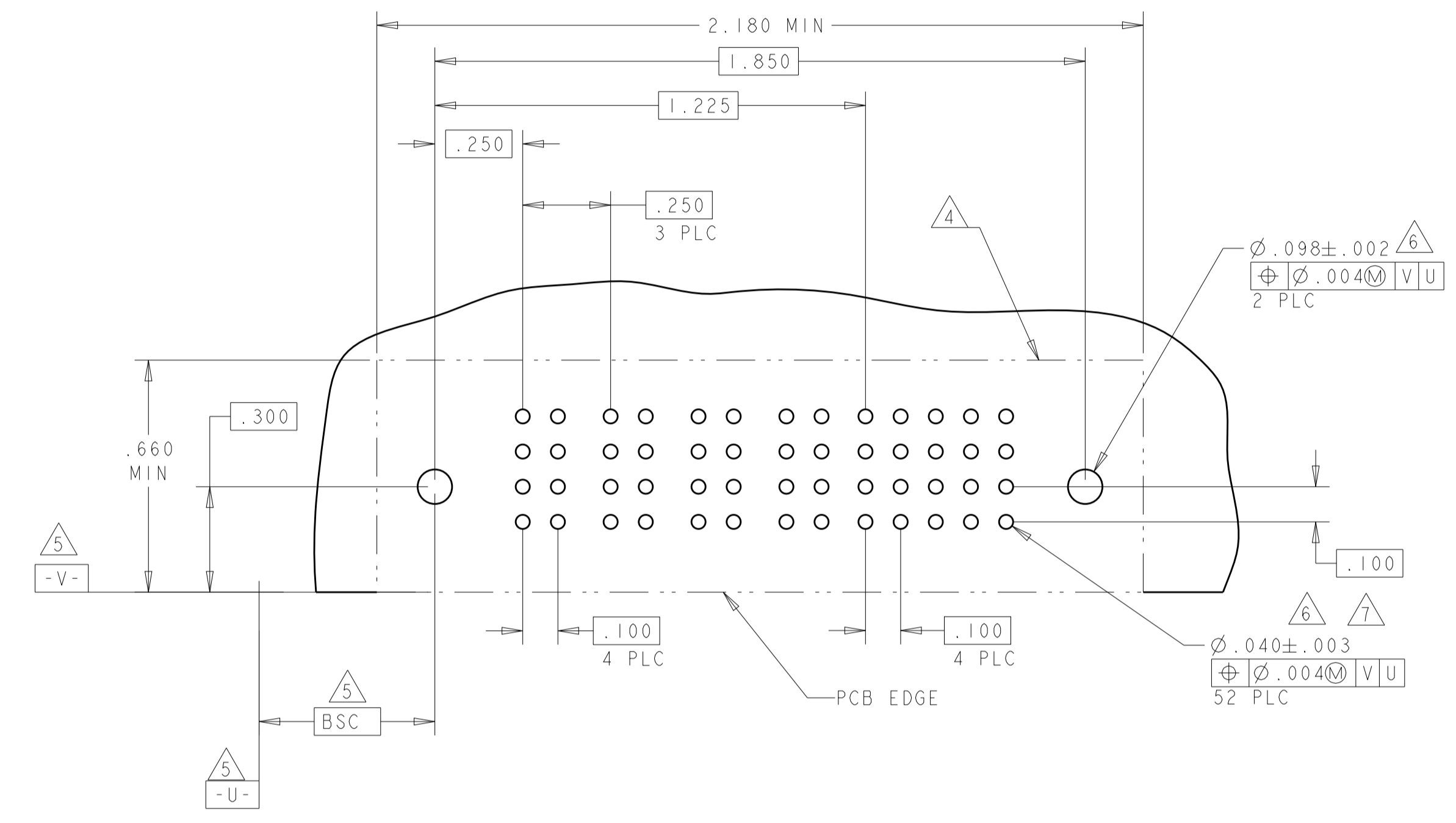
STE TE Connectivity
 RIGHT ANGLE HEADER ASSY W/GUIDES MULTI-BEAM XL
 SIZE: A100779 CAGE CODE: 6450122 DRAWING NO: 108-1973

| LOC | DIST | REVISIONS | | | |
|-----|------|-----------|------|----|------|
| GP | 00 | REV | DATE | BY | APPV |
| | | 1 | | | |
| | | 2 | | | |
| | | 3 | | | |
| | | 4 | | | |
| | | 5 | | | |
| | | 6 | | | |
| | | 7 | | | |
| | | 8 | | | |
| | | 9 | | | |
| | | 10 | | | |

| PART NUMBER | ROWS | POWER | | | SIGNAL | | | | | | |
|-------------|------|-------|----|----|--------|---|---|---|---|---|--|
| | | P1 | P2 | P3 | 1 | 2 | 3 | 4 | 5 | 6 | |
| 1-6450122-2 | D | PM | PM | PM | J | J | J | J | J | J | |
| | C | | | | K | K | K | K | K | K | |
| | B | | | | N | N | N | N | N | N | |
| | A | | | | S | S | S | S | S | S | |
| 3ACP + 24S | | | | | | | | | | | |

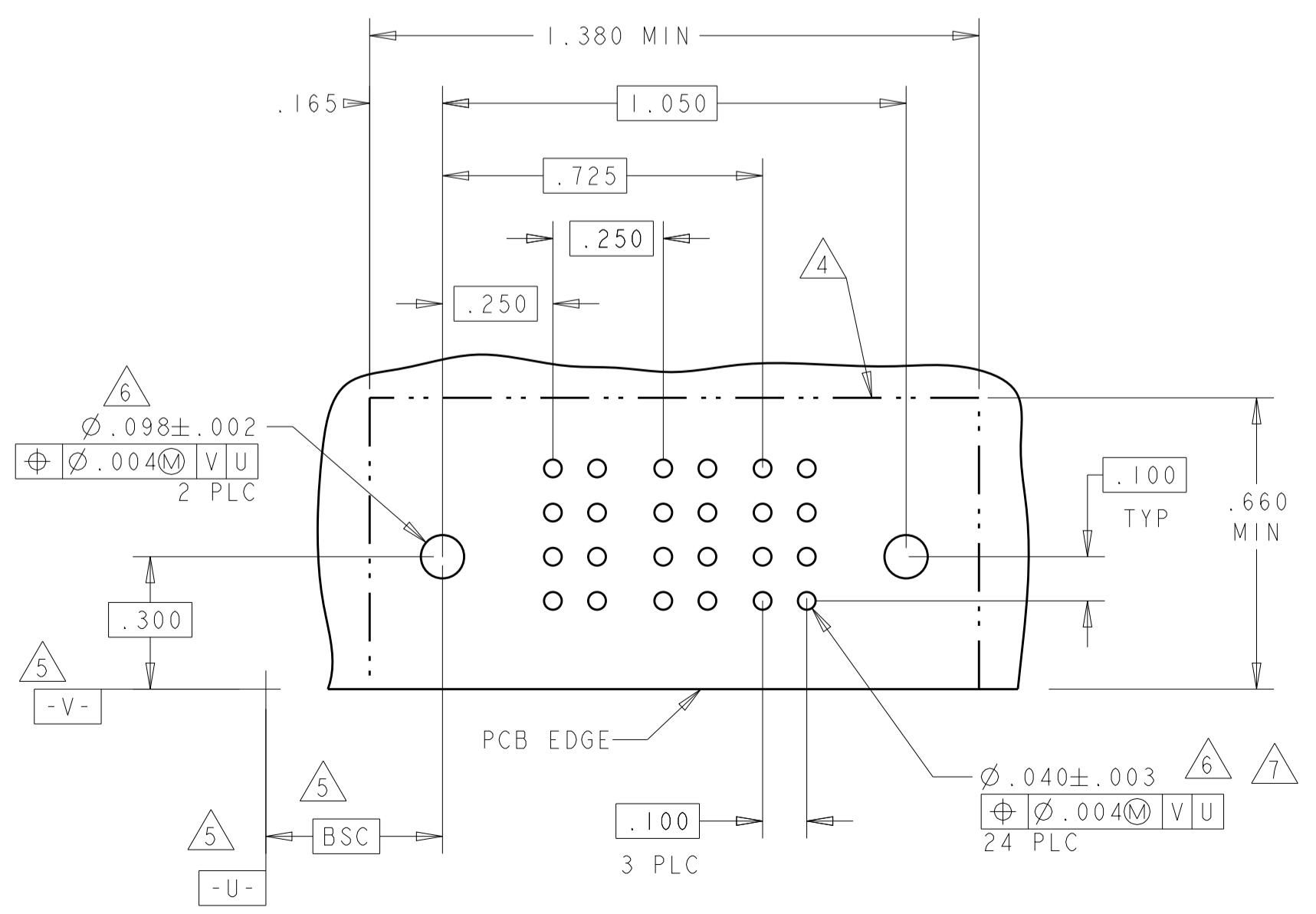


| PART NUMBER | ROWS | POWER | | | | SIGNAL | | | | | |
|-------------|------|-------|----|----|----|--------|---|---|---|---|--|
| | | P1 | P2 | P3 | P4 | 1 | 2 | 3 | 4 | 5 | |
| 1-6450122-9 | D | PM | PM | PM | PM | J | J | J | J | J | |
| | C | | | | | K | K | K | K | K | |
| | B | | | | | N | N | N | N | N | |
| | A | | | | | S | S | S | S | S | |
| 4P + 20S | | | | | | | | | | | |

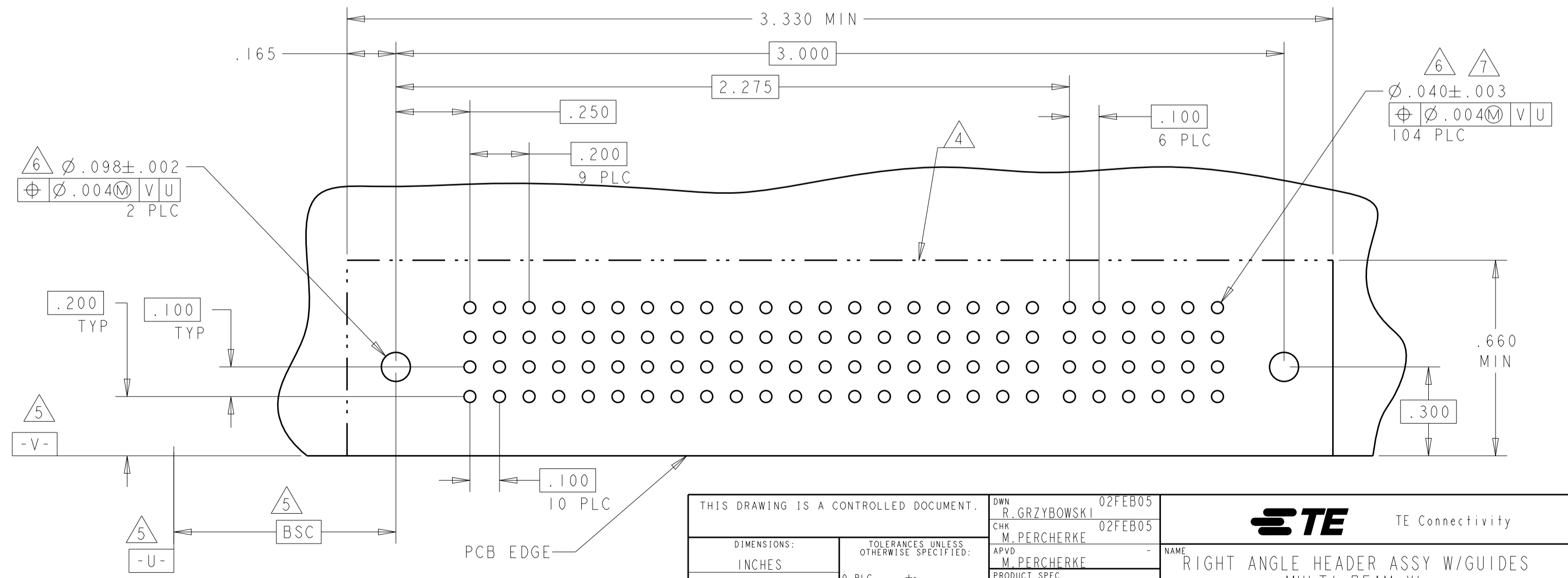


NO CONTACTS LOADED

| PART NUMBER | ROWS | POWER | | SIGNAL | |
|-------------|------|-------|----|--------|---|
| | | P1 | P2 | 1 | 2 |
| 1-6450122-6 | D | PM | PM | J | J |
| | C | | | K | K |
| | B | | | N | N |
| | A | | | S | S |
| 2P + 8S | | | | | |



| PART NUMBER | ROWS | POWER | | | | | | | | | | SIGNAL | | | | | |
|-------------|------|-------|----|----|----|----|----|----|----|----|-----|--------|---|---|---|---|---|
| | | P1 | P2 | P3 | P4 | P5 | P6 | P7 | P8 | P9 | P10 | 1 | 2 | 3 | 4 | 5 | 6 |
| 2-6450122-0 | D | PM | PM | PM | PM | PM | PM | PM | PM | PM | PM | J | J | J | J | J | J |
| | C | | | | | | | | | | | K | K | K | K | K | K |
| | B | | | | | | | | | | | N | N | N | N | N | N |
| | A | | | | | | | | | | | S | S | S | S | S | S |
| 10P + 24S | | | | | | | | | | | | | | | | | |



THIS DRAWING IS A CONTROLLED DOCUMENT.

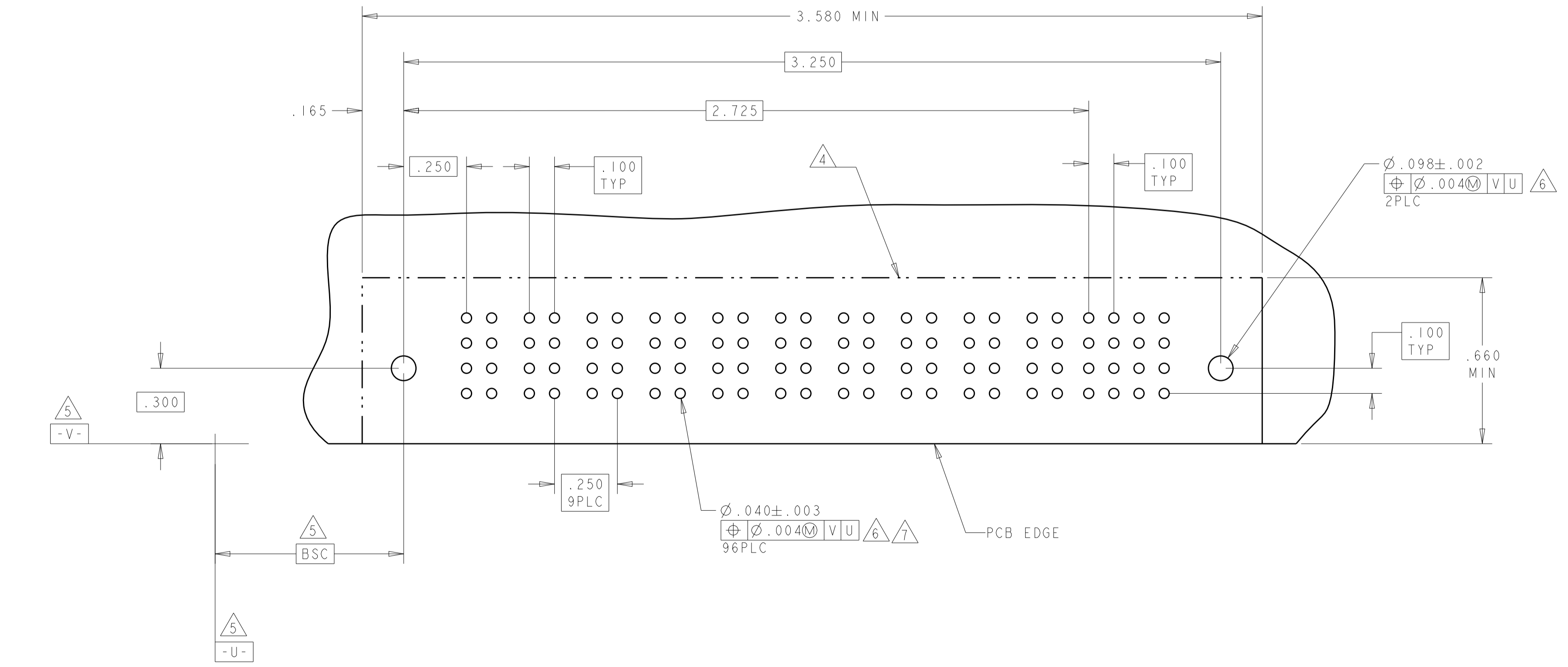
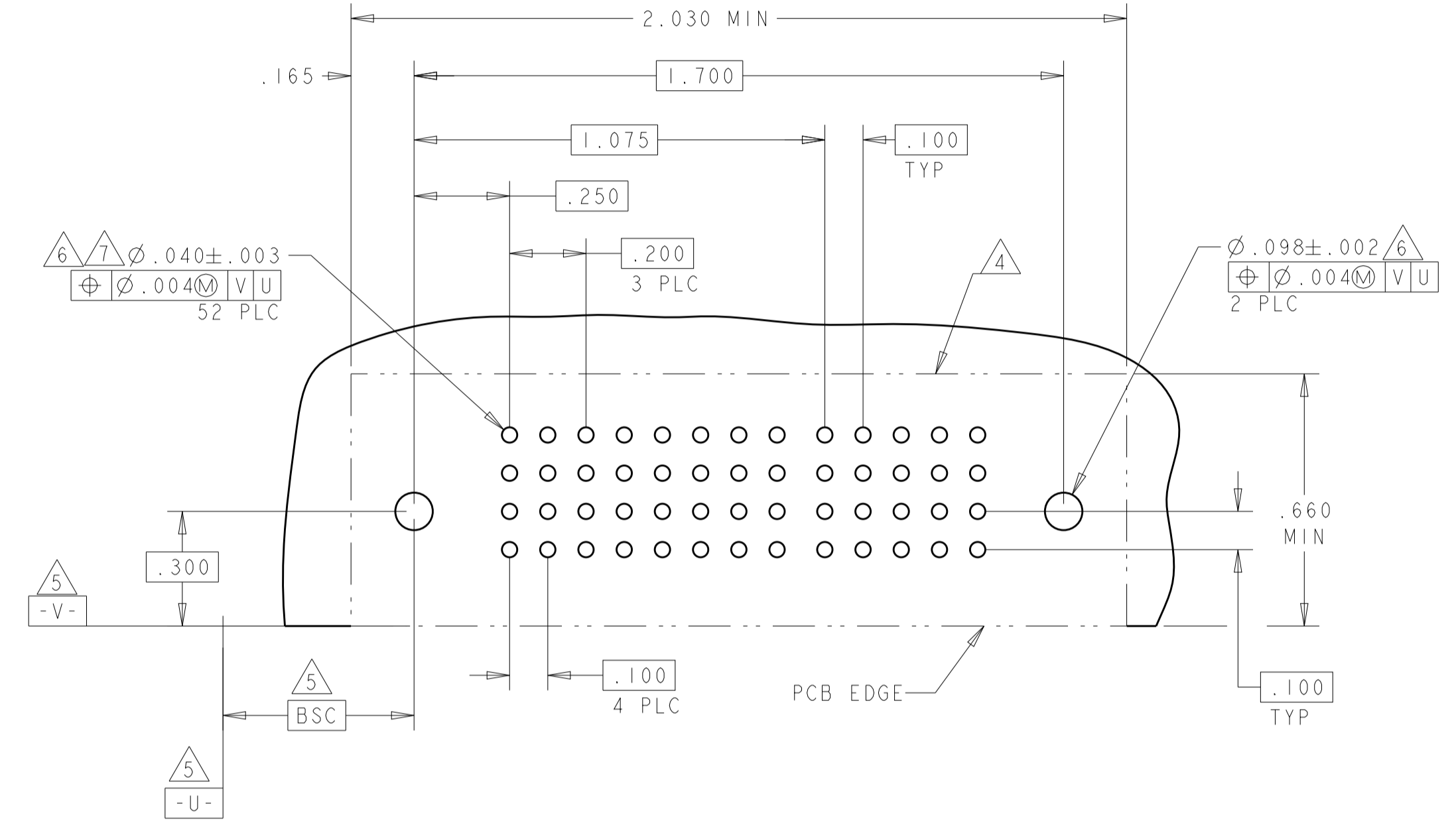
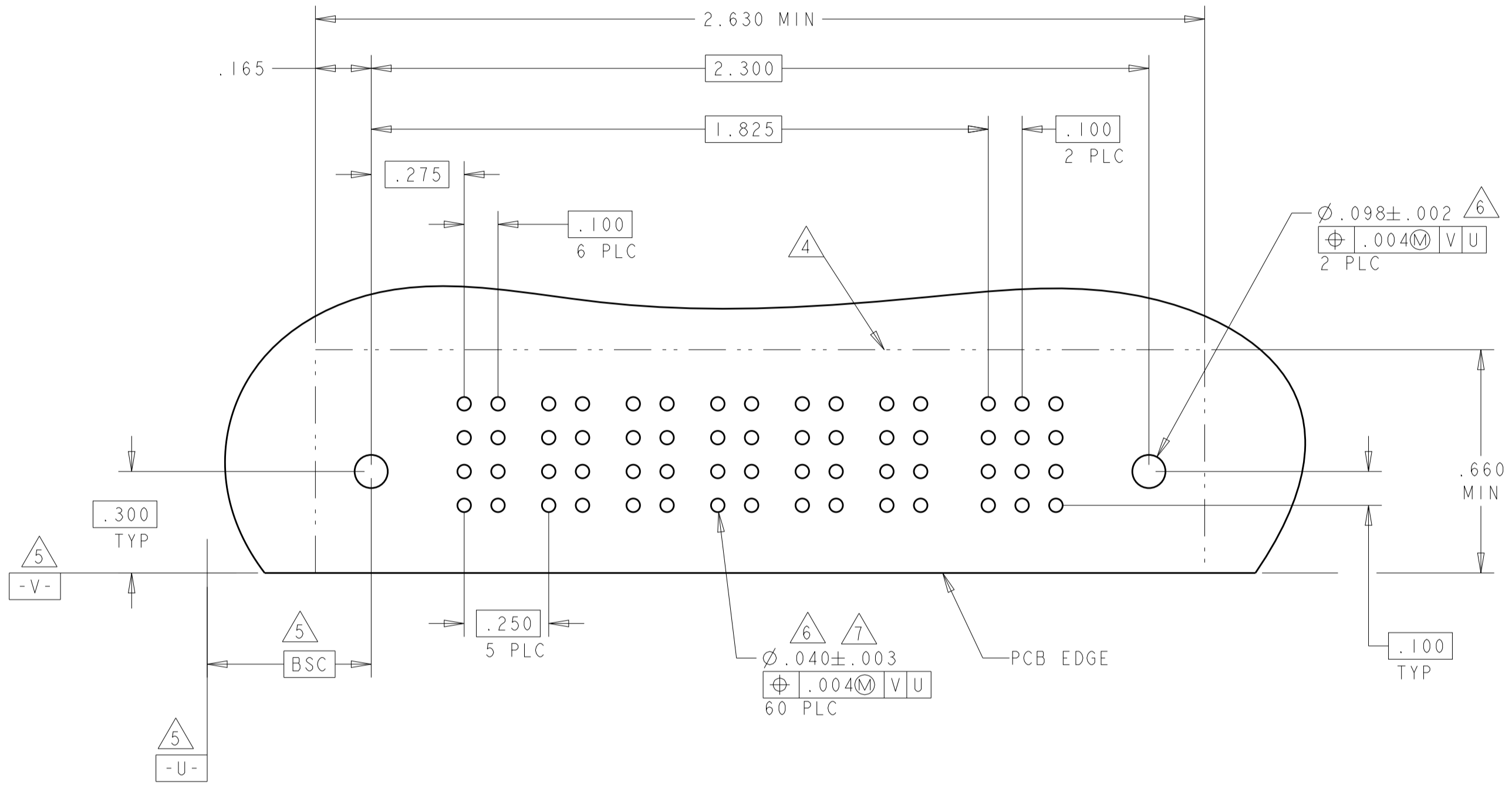
| | | | | | |
|------------------|--|----------------------------|---------------------------|--------------------|--|
| DIMENSIONS: | TOLERANCES UNLESS OTHERWISE SPECIFIED: | OWN: R. GRZYBOWSKI 02FEB05 | CHK: M. PERCHERKE 02FEB05 | APV: M. PERCHERKE | NAME: RIGHT ANGLE HEADER ASSY W/GUIDES MULTI-BEAM XL |
| INCHES: | 0 PLC ±.01 | PRODUCT SPEC | 108-1973 | APPLICATION SPEC | SIZE: 114-13038 |
| MATERIAL: | FINISH: #2 | WEIGHT: | A100779 | CAGE CODE: 6450122 | RESTRICTED TO: REV 9 |
| CUSTOMER DRAWING | | SCALE: 4:1 | SHEET: 5 | OF: 10 | REV: E |

STE TE Connectivity

| LOC | DIST | REVISIONS | | | | | |
|-----|------|-----------|-----|-------------|------|-----|------|
| GP | 00 | P | LTM | DESCRIPTION | DATE | DWN | APVD |
| | | | | SEE SHEET 1 | | | |

| PART NUMBER | ROWS | POWER | | | | | | SIGNAL | | |
|-------------|------|-------|----|----|----|----|----|--------|---|---|
| | | P1 | P2 | P3 | P4 | P5 | P6 | 1 | 2 | 3 |
| 1-6450122-7 | D | PM | PM | PM | PM | PM | PM | J | J | J |
| | C | | | | | | | K | K | K |
| | B | | | | | | | N | N | N |
| | A | | | | | | | S | S | S |
| 6P + 12S | | HD | | | | HD | | | | |

| PART NUMBER | ROWS | POWER | | | | SIGNAL | | | | |
|-------------|------|-------|----|----|----|--------|---|---|---|---|
| | | P1 | P2 | P3 | P4 | 1 | 2 | 3 | 4 | 5 |
| 2-6450122-1 | D | PM | PM | PM | PM | J | J | J | J | J |
| | C | | | | | K | K | K | K | |
| | B | | | | | N | N | N | N | |
| | A | | | | | H | H | H | H | |
| 4P + 20S | | HD | | | | HD | | | | |



| PART NUMBER | ROWS | POWER | | | | | | | | | | SIGNAL | | | |
|-------------|------|-------|----|----|----|----|----|----|----|----|-----|--------|---|---|---|
| | | P1 | P2 | P3 | P4 | P5 | P6 | P7 | P8 | P9 | P10 | 1 | 2 | 3 | 4 |
| 2-6450122-2 | D | PM | PM | PM | PM | PM | PM | PM | PM | PM | PM | J | J | J | J |
| | C | | | | | | | | | | | K | K | K | K |
| | B | | | | | | | | | | | N | N | N | N |
| | A | | | | | | | | | | | S | S | S | S |
| 10P + 16S | | HD | | | | HD | | | | | | | | | |

THIS DRAWING IS A CONTROLLED DOCUMENT. DIMENSIONS: INCHES. TOLERANCES UNLESS OTHERWISE SPECIFIED: 0 PLC ±.01, 1 PLC ±.01, 2 PLC ±.01, 3 PLC ±.005, 4 PLC ±.0020, ANGLES ±.2. MATERIAL: FINISH:

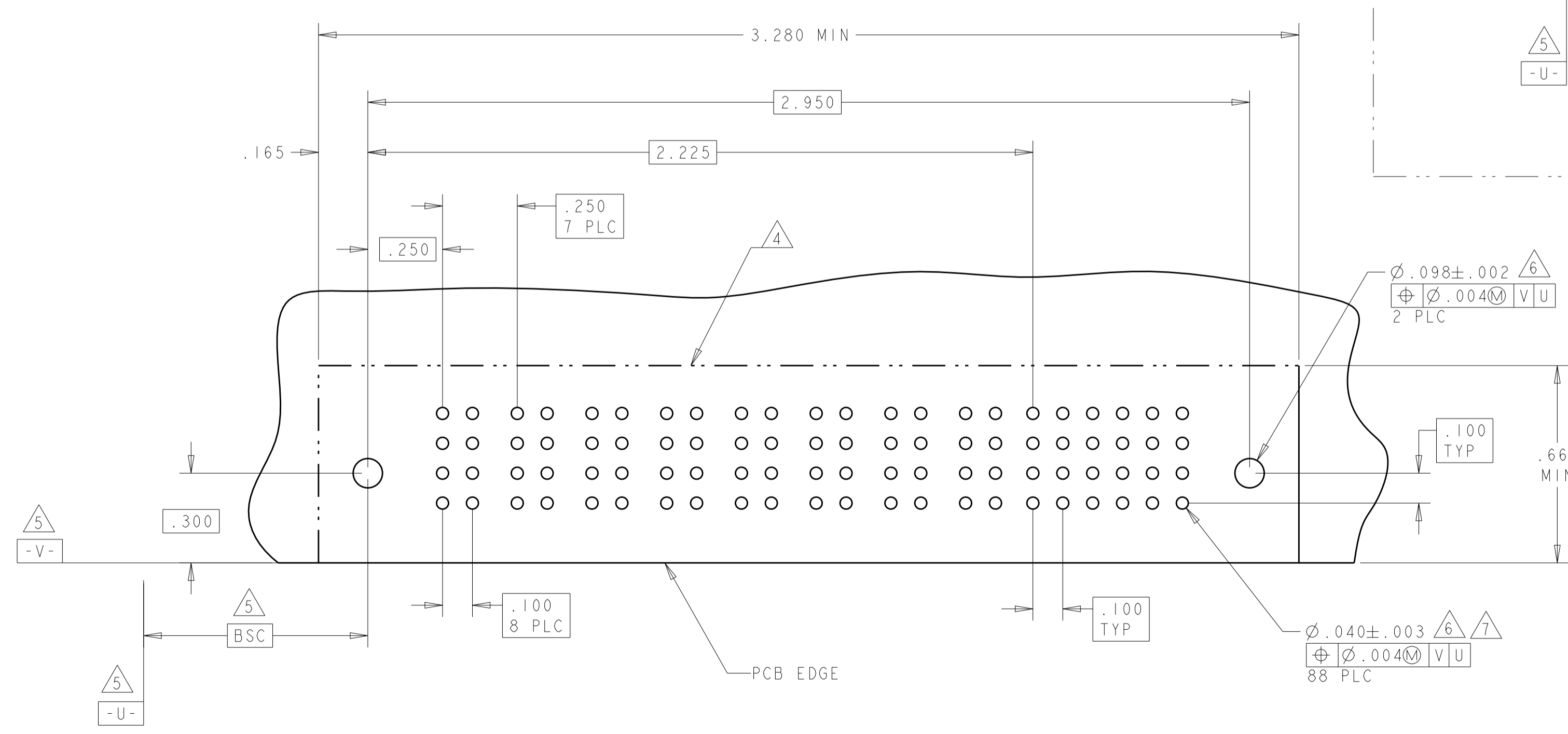
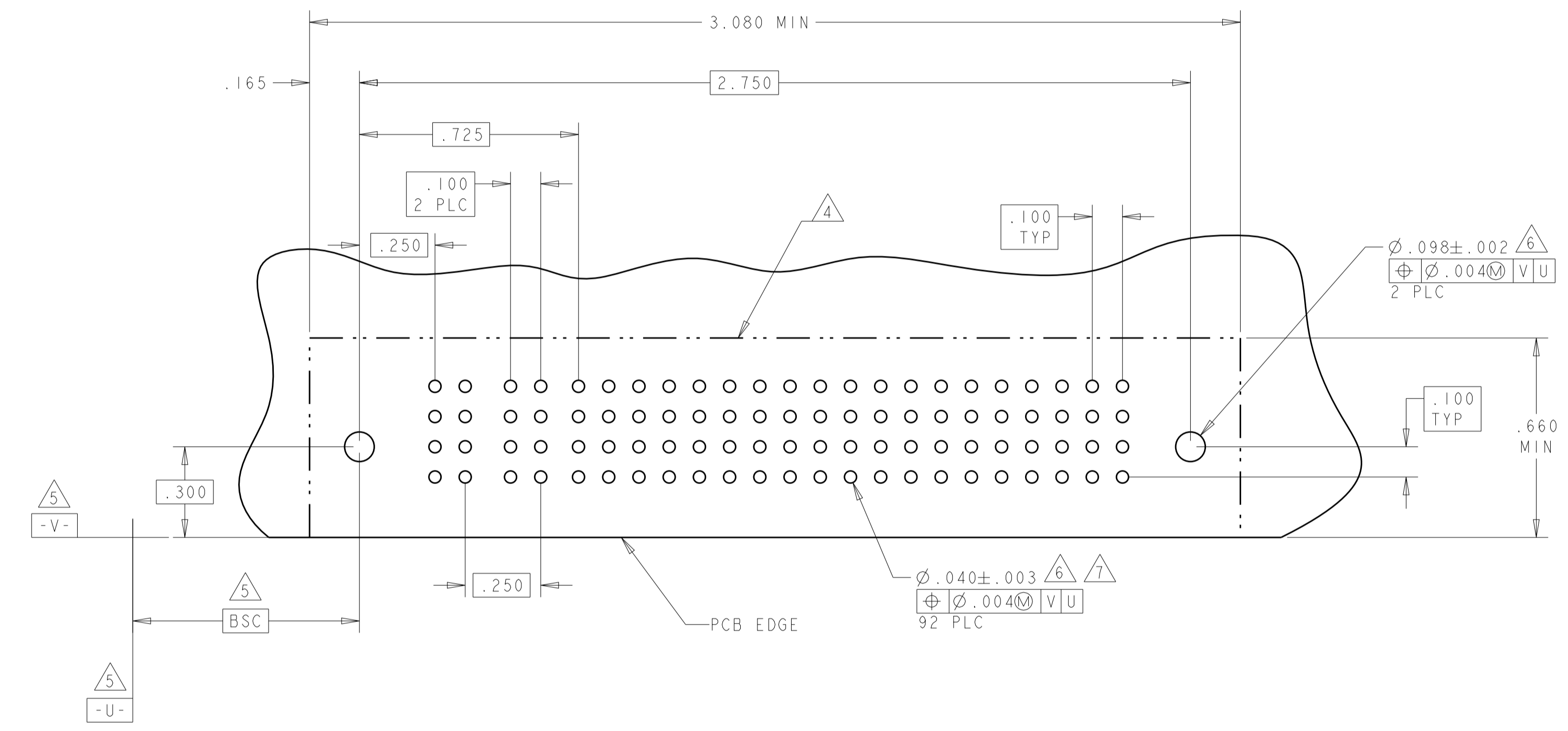
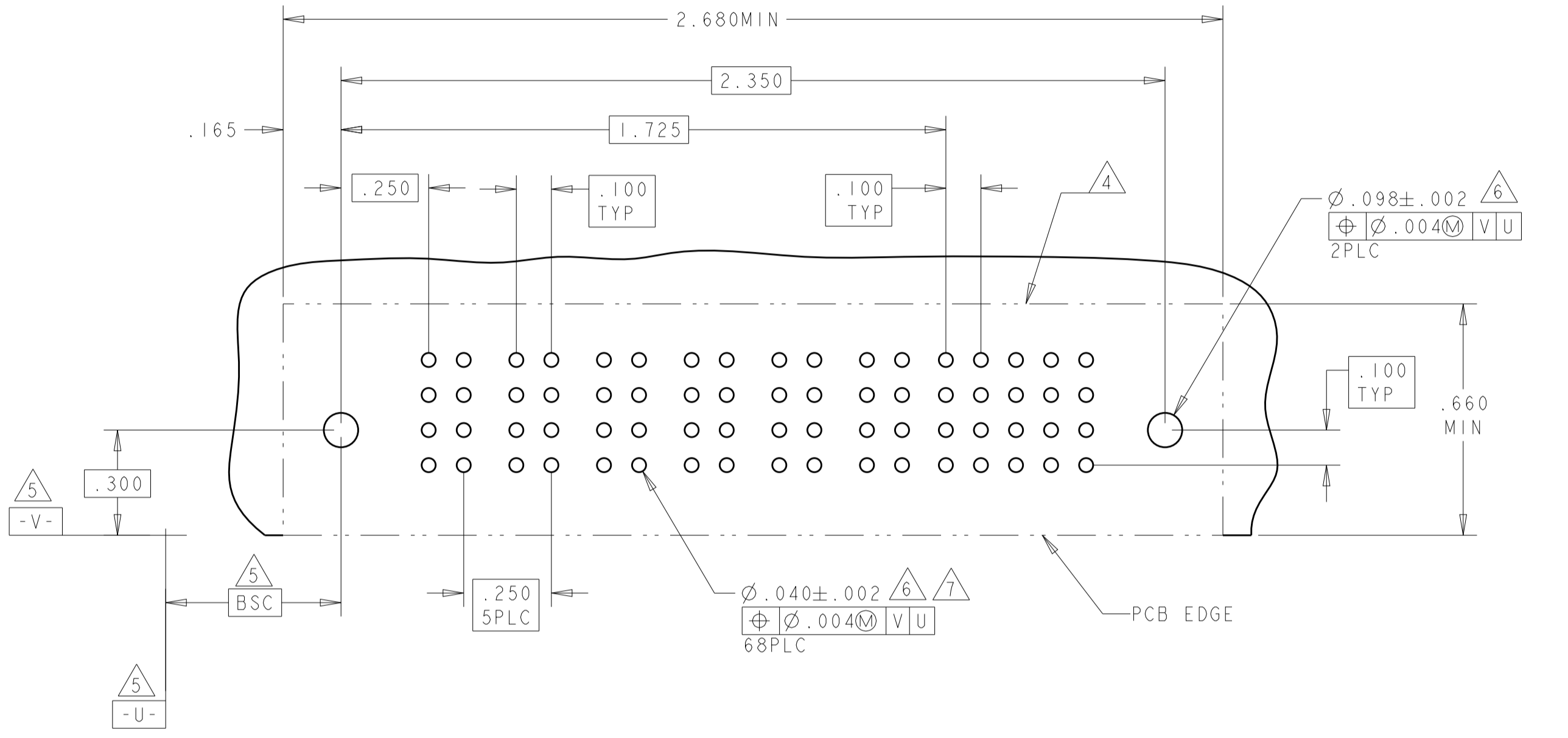
DWN: R. GRZYBOWSKI 02FEB05
CHK: M. PERCHERKE 02FEB05
APVD: M. PERCHERKE
PRODUCT SPEC: 108-1973
APPLICATION SPEC: 114-13038
WEIGHT: CUSTOMER DRAWING

STE TE Connectivity
NAME: RIGHT ANGLE HEADER ASSY W/GUIDES MULTI-BEAM XL
SIZE: CAGE CODE: DRAWING NO: A100779 C=6450122
RESTRICTED TO: SCALE: 4:1 SHEET 6 OF 10 REV: E9

| LOC | DIST | REVISIONS | | | | | |
|-----|------|-----------|-----|-------------|------|-----|------|
| GP | 00 | P | LTN | DESCRIPTION | DATE | OWN | APVD |
| | | - | | SEE SHEET 1 | | | |

| PART NUMBER | ROWS | POWER | | | | | | SIGNAL | | | | | | | | | | |
|-------------|------------------|---|----|----|----|----|----|--------|---|---|---|---|---|---|---|---|---|---|
| | | P1 | P2 | P3 | P4 | P5 | P6 | 1 | 2 | 3 | 4 | 5 | | | | | | |
| 2-6450122-3 | D C B A | PM | PM | PM | PM | PM | PM | J | J | J | J | J | | | | | | |
| | | | | | | | | K | K | K | K | K | | | | | | |
| | | | | | | | | N | N | N | N | N | | | | | | |
| 6P + 20S | | <table border="1"> <tr> <td>S</td><td>S</td><td>S</td><td>S</td><td>S</td><td>S</td> </tr> </table> | | | | | | | | | | | S | S | S | S | S | S |
| S | S | S | S | S | S | | | | | | | | | | | | | |

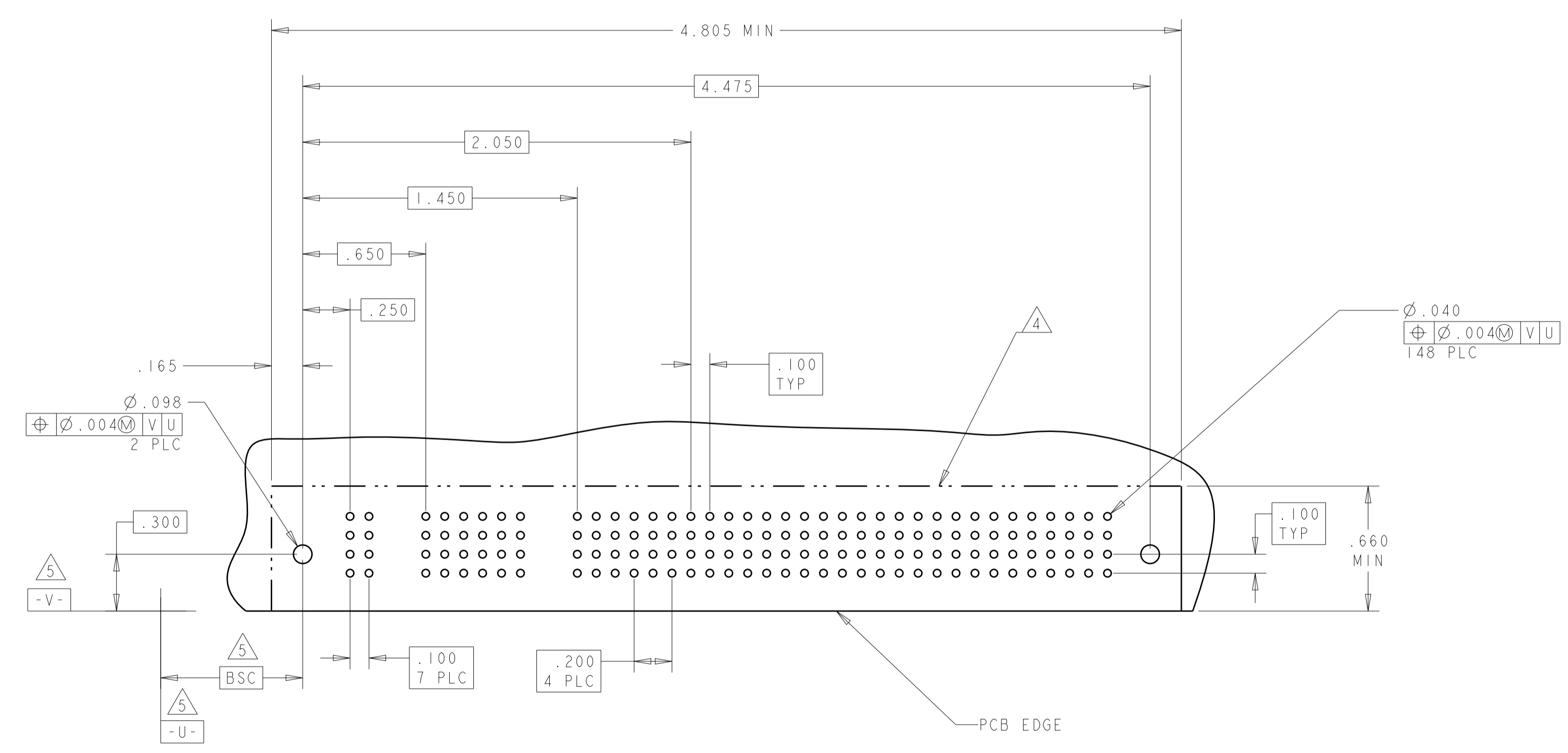
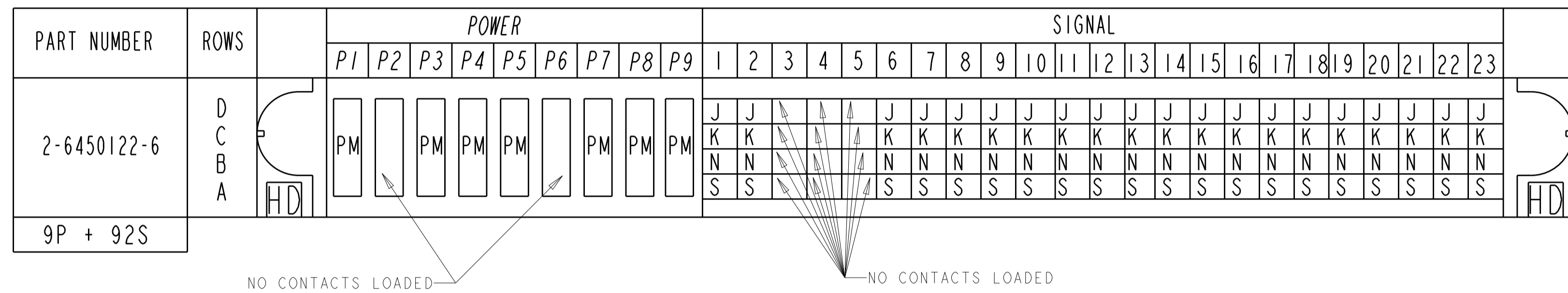
| PART NUMBER | ROWS | POWER | | SIGNAL | | | | | | | | | | | | | | | | | | | | | | | | | | | | | | | | | | | | | | | | | | |
|-------------|------------------|---|----|--------|---|---|---|---|---|---|---|---|----|----|----|----|----|----|----|----|----|----|---|---|---|---|---|---|---|---|---|---|---|---|---|---|---|---|---|---|---|---|---|---|---|---|
| | | P1 | P2 | 1 | 2 | 3 | 4 | 5 | 6 | 7 | 8 | 9 | 10 | 11 | 12 | 13 | 14 | 15 | 16 | 17 | 18 | 19 | | | | | | | | | | | | | | | | | | | | | | | | |
| 2-6450122-4 | D C B A | PA | PA | Z | Z | Z | Z | Z | Z | Z | Z | Z | Z | Z | Z | Z | Z | Z | Z | Z | Z | Z | Z | Z | | | | | | | | | | | | | | | | | | | | | | |
| | | | | Y | Y | Y | Y | Y | Y | Y | Y | Y | Y | Y | Y | Y | Y | Y | Y | Y | Y | Y | Y | Y | Y | | | | | | | | | | | | | | | | | | | | | |
| | | | | R | R | R | R | R | R | R | R | R | R | R | R | R | R | R | R | R | R | R | R | R | R | R | | | | | | | | | | | | | | | | | | | | |
| 2P + 76S | | <table border="1"> <tr> <td>O</td><td>O</td><td>O</td><td>O</td><td>O</td><td>O</td><td>O</td><td>O</td><td>O</td><td>O</td><td>O</td><td>O</td><td>O</td><td>O</td><td>O</td><td>O</td><td>O</td><td>O</td><td>O</td><td>O</td><td>O</td><td>O</td><td>O</td><td>O</td> </tr> </table> | | | | | | | | | | | | | | | | | | | | | O | O | O | O | O | O | O | O | O | O | O | O | O | O | O | O | O | O | O | O | O | O | O | O |
| O | O | O | O | O | O | O | O | O | O | O | O | O | O | O | O | O | O | O | O | O | O | O | O | | | | | | | | | | | | | | | | | | | | | | | |



| PART NUMBER | ROWS | POWER | | | | | | | | SIGNAL | | | | | | | | | | | | | | | | | | | | | |
|-------------|------------------|---|----|----|----|----|----|----|----|--------|---|---|---|---|---|---|---|---|---|---|---|---|---|---|---|---|---|---|---|---|---|
| | | P1 | P2 | P3 | P4 | P5 | P6 | P7 | P8 | 1 | 2 | 3 | 4 | 5 | 6 | | | | | | | | | | | | | | | | |
| 2-6450122-5 | D C B A | PM | PM | PM | PM | PM | PM | PM | PM | J | J | J | J | J | J | | | | | | | | | | | | | | | | |
| | | | | | | | | | | K | K | K | K | K | K | | | | | | | | | | | | | | | | |
| | | | | | | | | | | N | N | N | N | N | N | | | | | | | | | | | | | | | | |
| 8P + 24S | | <table border="1"> <tr> <td>S</td><td>S</td><td>S</td><td>S</td><td>S</td><td>S</td><td>S</td><td>S</td><td>S</td><td>S</td><td>S</td><td>S</td><td>S</td><td>S</td><td>S</td><td>S</td> </tr> </table> | | | | | | | | | | | | | | S | S | S | S | S | S | S | S | S | S | S | S | S | S | S | S |
| S | S | S | S | S | S | S | S | S | S | S | S | S | S | S | S | | | | | | | | | | | | | | | | |

| | | | |
|---|--|-----------------------------|--|
| THIS DRAWING IS A CONTROLLED DOCUMENT. | | OWN: R. GRZYBOWSKI 02FEB05 | TE Connectivity |
| DIMENSIONS: INCHES | | CHK: M. PERCHERKE 02FEB05 | |
| TOLERANCES UNLESS OTHERWISE SPECIFIED: | | APVD: M. PERCHERKE | NAME: RIGHT ANGLE HEADER ASSY W/GUIDES MULTI-BEAM XL |
| 0 PLC ± .01 2 PLC ± .01 3 PLC ± .01 4 PLC ± .005 ANGLES ± .0020 | | PRODUCT SPEC: 108-1973 | SIZE: A1 |
| MATERIAL: FINISH: | | APPLICATION SPEC: 114-13038 | CAGE CODE: 6450122 |
| | | WEIGHT: | RESTRICTED TO: |
| | | CUSTOMER DRAWING | SCALE: 4:1 SHEET 7 OF 10 REV: E9 |

| LOC | | DIST | | REVISIONS | | | |
|-----|-----|-------------|------|-----------|------|--|--|
| P | LTN | DESCRIPTION | DATE | DMN | APVD | | |
| - | - | SEE SHEET 1 | - | - | - | | |

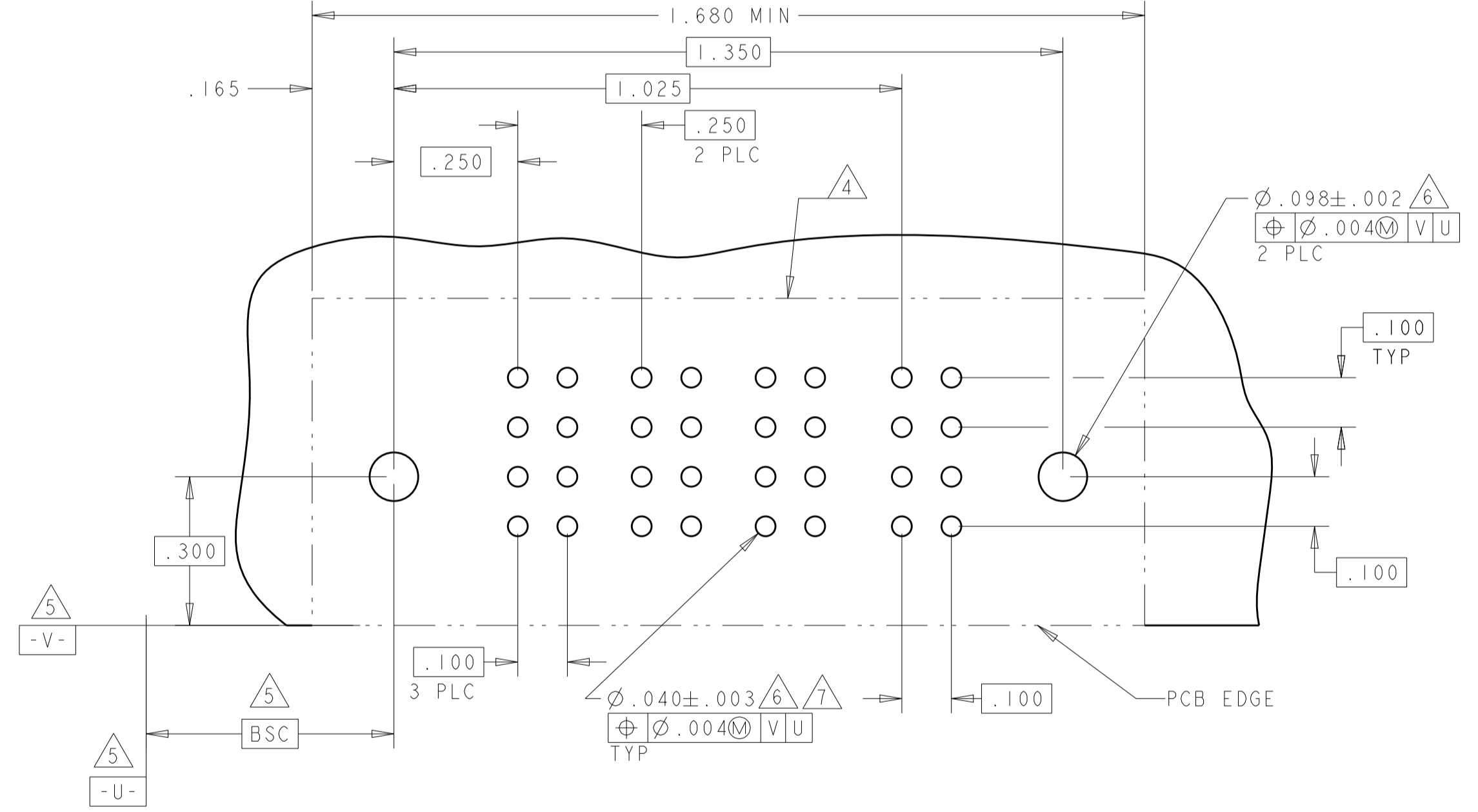
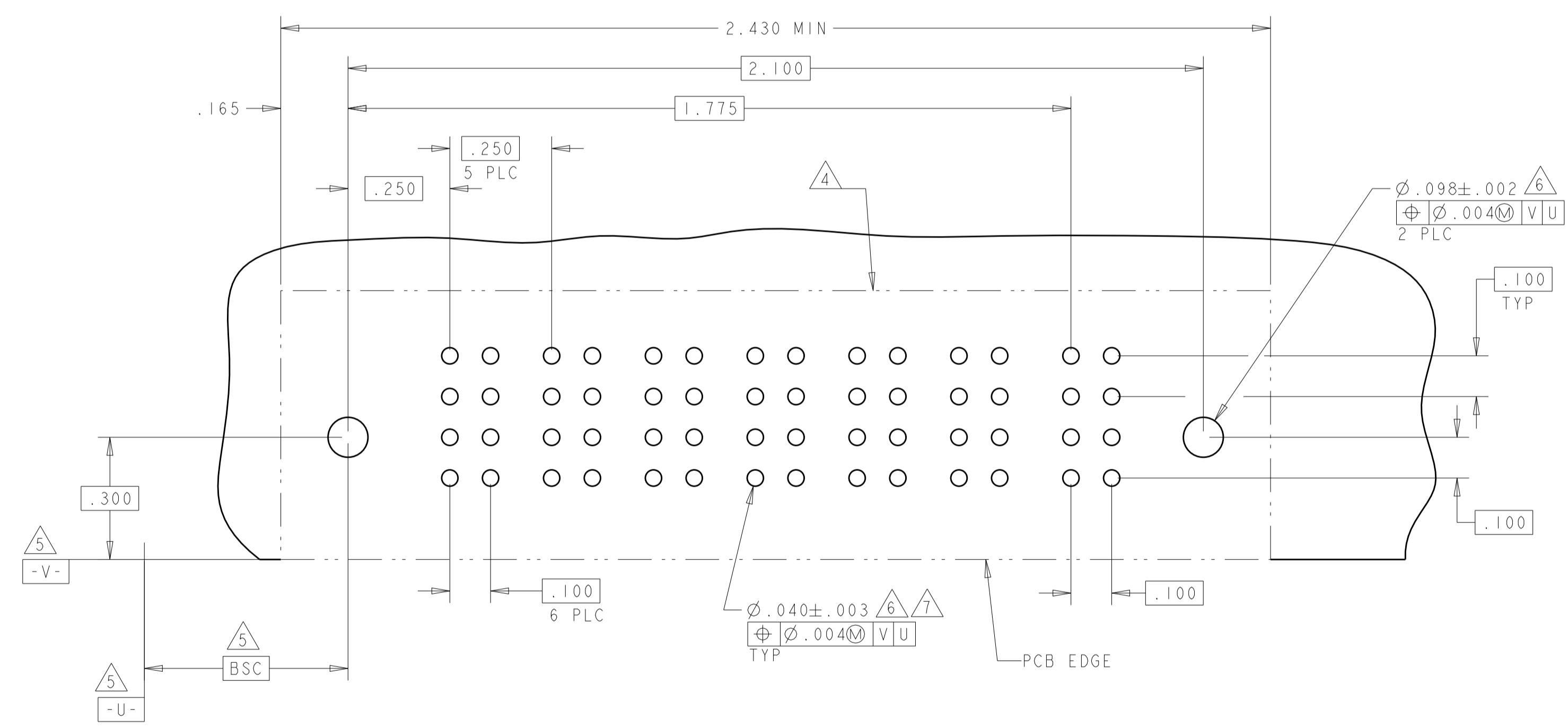


| | | | |
|---|--|----------------------------|--|
| THIS DRAWING IS A CONTROLLED DOCUMENT. | | DMN: R. GRZYBOWSKI 02FEB05 | TE Connectivity |
| DIMENSIONS: INCHES | | CHK: M. PERCHERKE 02FEB05 | |
| TOLERANCES UNLESS OTHERWISE SPECIFIED: 0 PLC ±. 1 PLC ±.01 2 PLC ±.01 3 PLC ±.005 4 PLC ±.0020 ANGLES ±.2 | | APVD: M. PERCHERKE | NAME: RIGHT ANGLE HEADER ASSY W/GUIDES MULTI-BEAM XL |
| MATERIAL: - | | FINISH: - | PRODUCT SPEC: 108-1973 |
| SCALE: 4:1 | | WEIGHT: - | APPLICATION SPEC: 114-13038 |
| SHEET 8 OF 10 | | RESTRICTED TO: - | SIZE: A1 |
| CUSTOMER DRAWING | | SCALE: 4:1 | CAGE CODE: 6450122 |
| REV: E9 | | DATE: - | |

| LOC | | DIST | | REVISONS | | | |
|-----|----|------|-----|-------------|------|-----|------|
| GP | 00 | P | LYR | DESCRIPTION | DATE | DMN | APVD |
| | | - | | SEE SHEET 1 | | | |

| PART NUMBER | ROWS | POWER | SIGNAL | | | | | | | |
|-------------|------------------|-------------------|--------|----|----|----|----|----|---|---|
| | | | P1 | P2 | P3 | P4 | P5 | P6 | 1 | 2 |
| 2-6450122-7 | D C B A | PM PM PM PM PM PM | J | J | | | | | | |
| | | | K | K | | | | | | |
| | | | N | N | | | | | | |
| | | | S | S | | | | | | |
| 6P + 8S | | | | | | | | | | |

| PART NUMBER | ROWS | POWER | SIGNAL | | | | |
|-------------|------------------|----------|--------|----|----|---|---|
| | | | P1 | P2 | P3 | 1 | 2 |
| 2-6450122-8 | D C B A | PM PM PM | J | J | | | |
| | | | K | K | | | |
| | | | N | N | | | |
| | | | S | S | | | |
| 3P + 8S | | | | | | | |

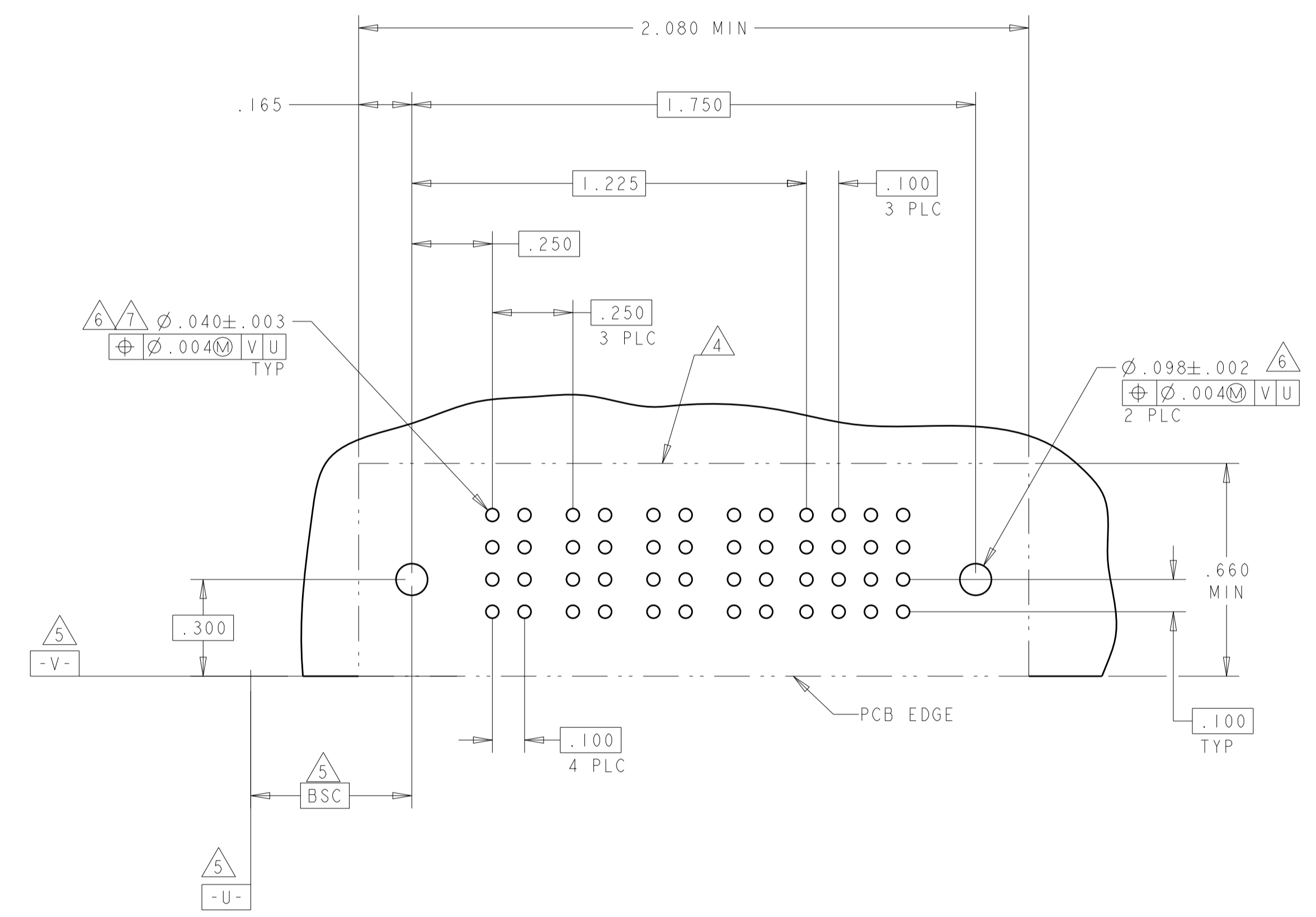
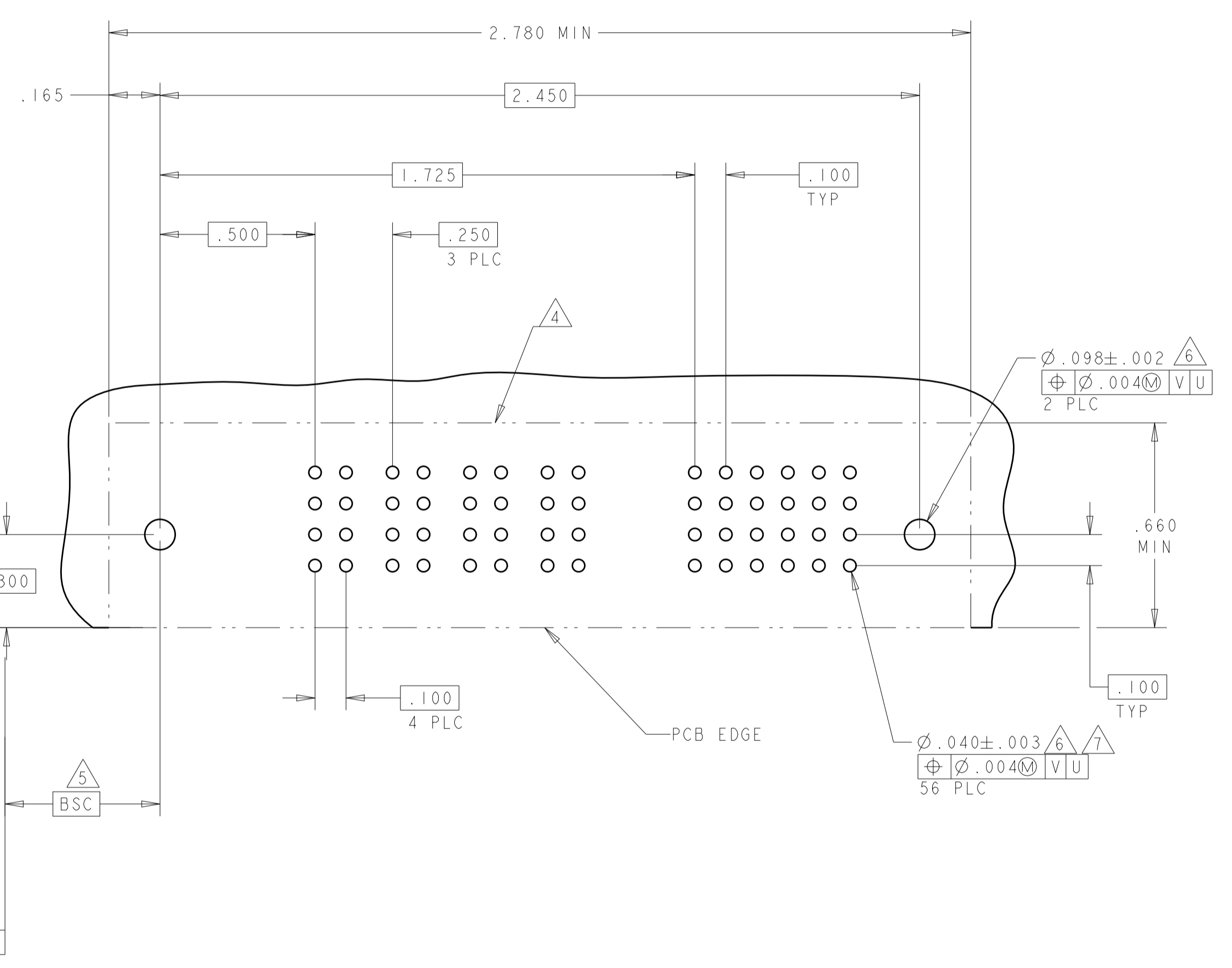


| | | | |
|--|--------------|-----------------------------|--|
| THIS DRAWING IS A CONTROLLED DOCUMENT. | | DMN: R. GRZYBOWSKI 02FEB05 | TE Connectivity |
| DIMENSIONS: INCHES | | CHK: M. PERCHERKE 02FEB05 | |
| TOLERANCES UNLESS OTHERWISE SPECIFIED: | | APVD: M. PERCHERKE | NAME: RIGHT ANGLE HEADER ASSY W/GUIDES MULTI-BEAM XL |
| 0 PLC ± .01 | 1 PLC ± .01 | PRODUCT SPEC: 108-1973 | SIZE: CAGE CODE DRAWING NO: A100779 |
| 2 PLC ± .01 | 3 PLC ± .005 | APPLICATION SPEC: 114-13038 | RESTRICTED TO: - |
| 4 PLC ± .0020 | ANGLES ± .2 | WEIGHT: - | SCALE: 4:1 SHEET 9 OF 10 REV: E9 |
| MATERIAL: - | FINISH: - | CUSTOMER DRAWING | |

| LOC | DIST | REVISIONS | | | |
|-----|------|-------------|------|-----|------|
| P | LTN | DESCRIPTION | DATE | DMN | APVD |
| - | - | SEE SHEET 1 | - | - | - |

| PART NUMBER | ROWS | POWER | | | | | | SIGNAL | | | | | |
|-------------|------|-------|----|----|----|----|----|--------|---|---|---|---|---|
| | | P1 | P2 | P3 | P4 | P5 | P6 | 1 | 2 | 3 | 4 | 5 | 6 |
| 2-6450122-9 | D | | | | | | | J | J | J | J | J | J |
| | C | | | | | | | K | K | K | K | K | K |
| | B | | | | | | | N | N | N | N | N | N |
| A | | | | | | | | S | S | S | S | S | S |

| PART NUMBER | ROWS | SIGNAL | | | |
|-------------|------|--------|----|----|----|
| | | P1 | P2 | P3 | P4 |
| 3-6450122-0 | D | | | | |
| | C | | | | |
| | B | | | | |
| A | | | | | |



THIS DRAWING IS A CONTROLLED DOCUMENT.

| | | | | | | | |
|---|--|--|--|--|--|--|--|
| DIMENSIONS: INCHES | | TOLERANCES UNLESS OTHERWISE SPECIFIED: | | DWG: R.GRZYBOWSKI 02FEB05 CHK: M.PERCHEKKE 02FEB05 APVD: M.PERCHEKKE | | NAME: RIGHT ANGLE HEADER ASSY W/GUIDES MULTI-BEAM XL | |
| 0 PLC ±.010 1 PLC ±.008 2 PLC ±.005 3 PLC ±.003 4 PLC ±.002 ANGLES ±.020 | | FINISH: #2 | | PRODUCT SPEC: 108-1973 APPLICATION SPEC: 114-13038 WEIGHT: - | | SIZE: A1 CAGE CODE: 6450122 DRAWING NO: 100779 | |
| MATERIAL: - | | FINISH: - | | CUSTOMER DRAWING | | SCALE: 4:1 SHEET 10 OF 10 REV: E9 | |

4805 (3/11)



Компания «ЭлектроПласт» предлагает заключение долгосрочных отношений при поставках импортных электронных компонентов на взаимовыгодных условиях!

Наши преимущества:

- Оперативные поставки широкого спектра электронных компонентов отечественного и импортного производства напрямую от производителей и с крупнейших мировых складов;
- Поставка более 17-ти миллионов наименований электронных компонентов;
- Поставка сложных, дефицитных, либо снятых с производства позиций;
- Оперативные сроки поставки под заказ (от 5 рабочих дней);
- Экспресс доставка в любую точку России;
- Техническая поддержка проекта, помощь в подборе аналогов, поставка прототипов;
- Система менеджмента качества сертифицирована по Международному стандарту ISO 9001;
- Лицензия ФСБ на осуществление работ с использованием сведений, составляющих государственную тайну;
- Поставка специализированных компонентов (Xilinx, Altera, Analog Devices, Intersil, Interpoint, Microsemi, Aeroflex, Peregrine, Syfer, Eurofarad, Texas Instrument, Miteq, Cobham, E2V, MA-COM, Hittite, Mini-Circuits, General Dynamics и др.);

Помимо этого, одним из направлений компании «ЭлектроПласт» является направление «Источники питания». Мы предлагаем Вам помощь Конструкторского отдела:

- Подбор оптимального решения, техническое обоснование при выборе компонента;
- Подбор аналогов;
- Консультации по применению компонента;
- Поставка образцов и прототипов;
- Техническая поддержка проекта;
- Защита от снятия компонента с производства.



Как с нами связаться

Телефон: 8 (812) 309 58 32 (многоканальный)

Факс: 8 (812) 320-02-42

Электронная почта: org@eplast1.ru

Адрес: 198099, г. Санкт-Петербург, ул. Калинина, дом 2, корпус 4, литера А.