



**MICROCHIP**

---

**PIC18F46J50**  
**Data Sheet**

28/44-Pin, Low-Power,  
High-Performance USB Microcontrollers  
with nanoWatt XLP Technology

---

**Note the following details of the code protection feature on Microchip devices:**

- Microchip products meet the specification contained in their particular Microchip Data Sheet.
- Microchip believes that its family of products is one of the most secure families of its kind on the market today, when used in the intended manner and under normal conditions.
- There are dishonest and possibly illegal methods used to breach the code protection feature. All of these methods, to our knowledge, require using the Microchip products in a manner outside the operating specifications contained in Microchip's Data Sheets. Most likely, the person doing so is engaged in theft of intellectual property.
- Microchip is willing to work with the customer who is concerned about the integrity of their code.
- Neither Microchip nor any other semiconductor manufacturer can guarantee the security of their code. Code protection does not mean that we are guaranteeing the product as "unbreakable."

Code protection is constantly evolving. We at Microchip are committed to continuously improving the code protection features of our products. Attempts to break Microchip's code protection feature may be a violation of the Digital Millennium Copyright Act. If such acts allow unauthorized access to your software or other copyrighted work, you may have a right to sue for relief under that Act.

---

Information contained in this publication regarding device applications and the like is provided only for your convenience and may be superseded by updates. It is your responsibility to ensure that your application meets with your specifications. MICROCHIP MAKES NO REPRESENTATIONS OR WARRANTIES OF ANY KIND WHETHER EXPRESS OR IMPLIED, WRITTEN OR ORAL, STATUTORY OR OTHERWISE, RELATED TO THE INFORMATION, INCLUDING BUT NOT LIMITED TO ITS CONDITION, QUALITY, PERFORMANCE, MERCHANTABILITY OR FITNESS FOR PURPOSE. Microchip disclaims all liability arising from this information and its use. Use of Microchip devices in life support and/or safety applications is entirely at the buyer's risk, and the buyer agrees to defend, indemnify and hold harmless Microchip from any and all damages, claims, suits, or expenses resulting from such use. No licenses are conveyed, implicitly or otherwise, under any Microchip intellectual property rights.

**Trademarks**

The Microchip name and logo, the Microchip logo, dsPIC, KEELOQ, KEELOQ logo, MPLAB, PIC, PICmicro, PICSTART, PIC<sup>32</sup> logo, rPIC and UNI/O are registered trademarks of Microchip Technology Incorporated in the U.S.A. and other countries.

FilterLab, Hampshire, HI-TECH C, Linear Active Thermistor, MXDEV, MXLAB, SEEVAL and The Embedded Control Solutions Company are registered trademarks of Microchip Technology Incorporated in the U.S.A.

Analog-for-the-Digital Age, Application Maestro, CodeGuard, dsPICDEM, dsPICDEM.net, dsPICworks, dsSPEAK, ECAN, ECONOMONITOR, FanSense, HI-TIDE, In-Circuit Serial Programming, ICSP, Mindi, MiWi, MPASM, MPLAB Certified logo, MPLIB, MPLINK, mTouch, Omniscient Code Generation, PICC, PICC-18, PICDEM, PICDEM.net, PICKit, PICtail, REAL ICE, rLAB, Select Mode, Total Endurance, TSHARC, UniWinDriver, WiperLock and ZENA are trademarks of Microchip Technology Incorporated in the U.S.A. and other countries.

SQTP is a service mark of Microchip Technology Incorporated in the U.S.A.

All other trademarks mentioned herein are property of their respective companies.

© 2011, Microchip Technology Incorporated, Printed in the U.S.A., All Rights Reserved.

 Printed on recycled paper.

ISBN: 978-1-61341-027-1

*Microchip received ISO/TS-16949:2002 certification for its worldwide headquarters, design and wafer fabrication facilities in Chandler and Tempe, Arizona; Gresham, Oregon and design centers in California and India. The Company's quality system processes and procedures are for its PIC<sup>®</sup> MCUs and dsPIC<sup>®</sup> DSCs, KEELOQ<sup>®</sup> code hopping devices, Serial EEPROMs, microperipherals, nonvolatile memory and analog products. In addition, Microchip's quality system for the design and manufacture of development systems is ISO 9001:2000 certified.*

**QUALITY MANAGEMENT SYSTEM  
CERTIFIED BY DNV  
== ISO/TS 16949:2002 ==**



# PIC18F46J50 FAMILY

## 28/44-Pin, Low-Power, High-Performance USB Microcontrollers

### Power Management Features with nanoWatt XLP™ for Extreme Low-Power:

- Deep Sleep mode: CPU off, Peripherals off, Currents Down to 13 nA and 850 nA with RTCC:
  - Able to wake-up on external triggers, programmable WDT or RTCC alarm
  - Ultra Low-Power Wake-up (ULPWU)
- Sleep mode: CPU off, Peripherals off, SRAM on, Fast Wake-up, Currents Down to 105 nA, Typical
- Idle: CPU off, Peripherals on, Currents Down to 2.3  $\mu$ A, Typical
- Run: CPU on, Peripherals on, Currents Down to 6.2  $\mu$ A, Typical
- Timer1 Oscillator w/RTCC: 1  $\mu$ A, 32 kHz, Typical
- Watchdog Timer: 0.8  $\mu$ A, 2V, Typical

### Special Microcontroller Features:

- Low-Power, High-Speed CMOS Flash Technology
- C Compiler Optimized Architecture for Re-Entrant Code
- Priority Levels for Interrupts
- Self-Programmable under Software Control
- 8 x 8 Single-Cycle Hardware Multiplier
- Extended Watchdog Timer (WDT):
  - Programmable period from 4 ms to 131s
- Single-Supply In-Circuit Serial Programming™ (ICSP™) via two pins
- In-Circuit Debug (ICD) w/Three Breakpoints via 2 Pins
- Operating Voltage Range of 2.0V to 3.6V
- On-Chip 2.5V Regulator
- Flash Program Memory of 10,000 Erase/Write Cycles Minimum and 20-Year Data Retention

### Universal Serial Bus (USB) Features

- USB V2.0 Compliant
- Full Speed (12 Mbps) and Low Speed (1.5 Mbps)
- Supports Control, Interrupt, Isochronous and Bulk Transfers
- Supports up to 32 Endpoints (16 bidirectional)
- USB module can use any RAM Location on the Device as USB Endpoint Buffers
- On-Chip USB Transceiver with Crystal-less operation

### Flexible Oscillator Structure:

- High-Precision Internal Oscillator ( $\pm 0.15\%$  typ.) for USB
- Two External Clock modes, up to 48 MHz (12 MIPS)
- Low-Power, 31 kHz Internal RC Oscillator
- Tunable Internal Oscillator (31 kHz to 8 MHz, or up to 48 MHz with PLL)
- Secondary Oscillator using Timer1 @ 32 kHz
- Fail-Safe Clock Monitor:
  - Allows for safe shutdown if any clock stops
- Two-Speed Oscillator Start-up
- Programmable Reference Clock Output Generator

### Peripheral Highlights:

- Peripheral Pin Select:
  - Allows independent I/O mapping of many peripherals
  - Continuous hardware integrity checking and safety interlocks prevent unintentional configuration changes
- Hardware Real-Time Clock and Calendar (RTCC):
  - Provides clock, calendar and alarm functions
- High-Current Sink/Source 25 mA/25 mA (PORTB and PORTC)
- 5.5V Tolerant Inputs (digital only pins)
- Four Programmable External Interrupts
- Four Input Change Interrupts
- Two Enhanced Capture/Compare/PWM (ECCP) modules:
  - One, two or four PWM outputs
  - Selectable polarity
  - Programmable dead time
  - Auto-shutdown and auto-restart
  - Pulse steering control
- Two Master Synchronous Serial Port (MSSP) modules Supporting Three-Wire SPI (all four modes) and I<sup>2</sup>C™ Master and Slave modes
- Full-Duplex Master/Slave SPI DMA Engine
- 8-Bit Parallel Master Port/Enhanced Parallel Slave Port
- Two-Rail – Rail Analog Comparators with Input Multiplexing
- 10-Bit, up to 13-Channel Analog-to-Digital (A/D) Converter module:
  - Auto-acquisition capability
  - Conversion available during Sleep
  - Self-calibration
- High/Low-Voltage Detect module
- Charge Time Measurement Unit (CTMU):
  - Supports capacitive touch sensing for touch screens and capacitive switches
  - Provides a precise resolution time measurement for both flow measurement and simple temperature sensing
- Two Enhanced USART modules:
  - Supports RS-485, RS-232 and LIN/J2602
  - Auto-Wake-up on Start bit
- Auto-Baud Detect

# PIC18F46J50 FAMILY

| PIC18F/LF <sup>(1)</sup><br>Device | Pins | Program<br>Memory (bytes) | SRAM (bytes) | Remappable<br>Pins | Timers<br>8/16-Bit | ECCP(PWM) | EUSART | MSSP      |                   | 10-Bit A/D (ch) | Comparators | Deep Sleep | PMP/PSP | CTMU | RTCC | USB |   |
|------------------------------------|------|---------------------------|--------------|--------------------|--------------------|-----------|--------|-----------|-------------------|-----------------|-------------|------------|---------|------|------|-----|---|
|                                    |      |                           |              |                    |                    |           |        | SPI w/DMA | I <sup>2</sup> C™ |                 |             |            |         |      |      |     |   |
| PIC18F24J50                        | 28   | 16K                       | 3776         | 16                 | 2/3                | 2         | 2      | 2         | Y                 | Y               | 10          | 2          | Y       | N    | Y    | Y   | Y |
| PIC18F25J50                        | 28   | 32K                       | 3776         | 16                 | 2/3                | 2         | 2      | 2         | Y                 | Y               | 10          | 2          | Y       | N    | Y    | Y   | Y |
| PIC18F26J50                        | 28   | 64K                       | 3776         | 16                 | 2/3                | 2         | 2      | 2         | Y                 | Y               | 10          | 2          | Y       | N    | Y    | Y   | Y |
| PIC18F44J50                        | 44   | 16K                       | 3776         | 22                 | 2/3                | 2         | 2      | 2         | Y                 | Y               | 13          | 2          | Y       | Y    | Y    | Y   | Y |
| PIC18F45J50                        | 44   | 32K                       | 3776         | 22                 | 2/3                | 2         | 2      | 2         | Y                 | Y               | 13          | 2          | Y       | Y    | Y    | Y   | Y |
| PIC18F46J50                        | 44   | 64K                       | 3776         | 22                 | 2/3                | 2         | 2      | 2         | Y                 | Y               | 13          | 2          | Y       | Y    | Y    | Y   | Y |
| PIC18LF24J50                       | 28   | 16K                       | 3776         | 16                 | 2/3                | 2         | 2      | 2         | Y                 | Y               | 10          | 2          | N       | N    | Y    | Y   | Y |
| PIC18LF25J50                       | 28   | 32K                       | 3776         | 16                 | 2/3                | 2         | 2      | 2         | Y                 | Y               | 10          | 2          | N       | N    | Y    | Y   | Y |
| PIC18LF26J50                       | 28   | 64K                       | 3776         | 16                 | 2/3                | 2         | 2      | 2         | Y                 | Y               | 10          | 2          | N       | N    | Y    | Y   | Y |
| PIC18LF44J50                       | 44   | 16K                       | 3776         | 22                 | 2/3                | 2         | 2      | 2         | Y                 | Y               | 13          | 2          | N       | Y    | Y    | Y   | Y |
| PIC18LF45J50                       | 44   | 32K                       | 3776         | 22                 | 2/3                | 2         | 2      | 2         | Y                 | Y               | 13          | 2          | N       | Y    | Y    | Y   | Y |
| PIC18LF46J50                       | 44   | 64K                       | 3776         | 22                 | 2/3                | 2         | 2      | 2         | Y                 | Y               | 13          | 2          | N       | Y    | Y    | Y   | Y |

**Note 1:** See [Section 1.3 “Details on Individual Family Devices”](#), [Section 4.6 “Deep Sleep Mode”](#) and [Section 27.3 “On-Chip Voltage Regulator”](#) for details describing the functional differences between PIC18F and PIC18LF variants in this device family.

# PIC18F46J50 FAMILY

## Pin Diagrams

### 28-Pin SPDIP/SOIC/SSOP<sup>(1)</sup>

■ = Pins are up to 5.5V tolerant



### 28-Pin QFN<sup>(1,3)</sup>



**Legend:** RPn represents remappable pins.

**Note 1:** Some input and output functions are routed through the Peripheral Pin Select (PPS) module and can be dynamically assigned to any of the RPn pins. For a list of the input and output functions, see [Table 10-13](#) and [Table 10-14](#), respectively. For details on configuring the PPS module, see [Section 10.7 "Peripheral Pin Select \(PPS\)"](#).

**2:** See [Section 27.3 "On-Chip Voltage Regulator"](#) for details on how to connect the VDDCORE/VCAP pin.

**3:** For the QFN package, it is recommended that the bottom pad be connected to VSS.

# PIC18F46J50 FAMILY

## Pin Diagrams (Continued)



# PIC18F46J50 FAMILY

## Pin Diagrams (Continued)



# PIC18F46J50 FAMILY

---

## Table of Contents

|      |   |     |
|------|---|-----|
| 1.0  | Device Overview .....   | 11  |
| 2.0  | Guidelines for Getting Started with PIC18FJ Microcontrollers .....              | 29  |
| 3.0  | Oscillator Configurations .....   | 35  |
| 4.0  | Low-Power Modes .....   | 47  |
| 5.0  | Reset .....   | 63  |
| 6.0  | Memory Organization .....   | 77  |
| 7.0  | Flash Program Memory .....  | 103 |
| 8.0  | 8 x 8 Hardware Multiplier .....   | 113 |
| 9.0  | Interrupts .....  | 115 |
| 10.0 | I/O Ports .....   | 131 |
| 11.0 | Parallel Master Port (PMP) .....  | 169 |
| 12.0 | Timer0 Module .....   | 195 |
| 13.0 | Timer1 Module .....   | 199 |
| 14.0 | Timer2 Module .....   | 211 |
| 15.0 | Timer3 Module .....   | 213 |
| 16.0 | Timer4 Module .....   | 223 |
| 17.0 | Real-Time Clock and Calendar (RTCC) .....                                       | 225 |
| 18.0 | Enhanced Capture/Compare/PWM (ECCP) Module .....                                | 245 |
| 19.0 | Master Synchronous Serial Port (MSSP) Module .....                              | 269 |
| 20.0 | Enhanced Universal Synchronous Asynchronous Receiver Transmitter (EUSART) ..... | 323 |
| 21.0 | 10-bit Analog-to-Digital Converter (A/D) Module .....                           | 347 |
| 22.0 | Universal Serial Bus (USB) .....  | 357 |
| 23.0 | Comparator Module .....   | 385 |
| 24.0 | Comparator Voltage Reference Module .....                                       | 391 |
| 25.0 | High/Low Voltage Detect (HLVD) .....  | 395 |
| 26.0 | Charge Time Measurement Unit (CTMU) .....                                       | 401 |
| 27.0 | Special Features of the CPU .....   | 417 |
| 28.0 | Instruction Set Summary .....   | 435 |
| 29.0 | Development Support .....   | 485 |
| 30.0 | Electrical Characteristics .....  | 489 |
| 31.0 | Packaging Information .....   | 531 |
|      | Appendix A: Revision History .....  | 545 |
|      | Appendix B: Device Differences .....  | 545 |
|      | The Microchip Web Site .....  | 559 |
|      | Customer Change Notification Service .....                                      | 559 |
|      | Customer Support .....  | 559 |
|      | Reader Response .....   | 560 |
|      | Product Identification System .....   | 561 |



## TO OUR VALUED CUSTOMERS

It is our intention to provide our valued customers with the best documentation possible to ensure successful use of your Microchip products. To this end, we will continue to improve our publications to better suit your needs. Our publications will be refined and enhanced as new volumes and updates are introduced.

If you have any questions or comments regarding this publication, please contact the Marketing Communications Department via E-mail at [docerrors@microchip.com](mailto:docerrors@microchip.com) or fax the **Reader Response Form** in the back of this data sheet to (480) 792-4150. We welcome your feedback.

### Most Current Data Sheet

To obtain the most up-to-date version of this data sheet, please register at our Worldwide Web site at:

<http://www.microchip.com>

You can determine the version of a data sheet by examining its literature number found on the bottom outside corner of any page. The last character of the literature number is the version number, (e.g., DS30000A is version A of document DS30000).

### Errata

An errata sheet, describing minor operational differences from the data sheet and recommended workarounds, may exist for current devices. As device/documentation issues become known to us, we will publish an errata sheet. The errata will specify the revision of silicon and revision of document to which it applies.

To determine if an errata sheet exists for a particular device, please check with one of the following:

- Microchip's Worldwide Web site; <http://www.microchip.com>
- Your local Microchip sales office (see last page)

When contacting a sales office, please specify which device, revision of silicon and data sheet (include literature number) you are using.

### Customer Notification System

Register on our web site at [www.microchip.com](http://www.microchip.com) to receive the most current information on all of our products.

# PIC18F46J50 FAMILY

---

NOTES:

# PIC18F46J50 FAMILY

## 1.0 DEVICE OVERVIEW

This document contains device-specific information for the following devices:

- PIC18F24J50
- PIC18F25J50
- PIC18F26J50
- PIC18F44J50
- PIC18F45J50
- PIC18F46J50
- PIC18LF24J50
- PIC18LF25J50
- PIC18LF26J50
- PIC18LF44J50
- PIC18LF45J50
- PIC18LF46J50

This family introduces a new line of low-voltage Universal Serial Bus (USB) microcontrollers with the main traditional advantage of all PIC18 microcontrollers, namely, high computational performance and a rich feature set at an extremely competitive price point. These features make the PIC18F46J50 family a logical choice for many high-performance applications, where cost is a primary consideration.

### 1.1 Core Features

#### 1.1.1 nanoWatt TECHNOLOGY

All of the devices in the PIC18F46J50 family incorporate a range of features that can significantly reduce power consumption during operation. Key features are:

- **Alternate Run Modes:** By clocking the controller from the Timer1 source or the internal RC oscillator, power consumption during code execution can be reduced by as much as 90%.
- **Multiple Idle Modes:** The controller can also run with its CPU core disabled but the peripherals still active. In these states, power consumption can be reduced even further, to as little as 4% of normal operational requirements.
- **On-the-Fly Mode Switching:** The power-managed modes are invoked by user code during operation, allowing the users to incorporate power-saving ideas into their application's software design.

#### 1.1.2 UNIVERSAL SERIAL BUS (USB)

Devices in the PIC18F46J50 family incorporate a fully-featured USB communications module with a built-in transceiver that is compliant with the "USB Specification Revision 2.0". The module supports both low-speed and full-speed communication for all supported data transfer types.

#### 1.1.3 OSCILLATOR OPTIONS AND FEATURES

All of the devices in the PIC18F46J50 family offer five different oscillator options, allowing users a range of choices in developing application hardware. These include:

- Two Crystal modes, using crystals or ceramic resonators.
- Two External Clock modes, offering the option of a divide-by-4 clock output.
- An internal oscillator block, which provides an 8 MHz clock and an INTRC source (approximately 31 kHz, stable over temperature and VDD), as well as a range of six user-selectable clock frequencies, between 125 kHz to 4 MHz, for a total of eight clock frequencies. This option frees an oscillator pin for use as an additional general purpose I/O.
- A Phase Lock Loop (PLL) frequency multiplier, available to the high-speed crystal, and external and internal oscillators, providing a clock speed up to 48 MHz.
- Dual clock operation, allowing the USB module to run from a high-frequency oscillator while the rest of the microcontroller is clocked at a different frequency.

The internal oscillator block provides a stable reference source that gives the PIC18F46J50 family additional features for robust operation:

- **Fail-Safe Clock Monitor:** This option constantly monitors the main clock source against a reference signal provided by the internal oscillator. If a clock failure occurs, the controller is switched to the internal oscillator, allowing for continued low-speed operation or a safe application shutdown.
- **Two-Speed Start-up:** This option allows the internal oscillator to serve as the clock source from Power-on Reset (POR), or wake-up from Sleep mode, until the primary clock source is available.

#### 1.1.4 EXPANDED MEMORY

The PIC18F46J50 family provides ample room for application code, from 16 Kbytes to 64 Kbytes of code space. The Flash cells for program memory are rated to last in excess of 10000 erase/write cycles. Data retention without refresh is conservatively estimated to be greater than 20 years.

The Flash program memory is readable and writable during normal operation. The PIC18F46J50 family also provides plenty of room for dynamic application data with up to 3.8 Kbytes of data RAM.

# PIC18F46J50 FAMILY

---

## 1.1.5 EXTENDED INSTRUCTION SET

The PIC18F46J50 family implements the optional extension to the PIC18 instruction set, adding eight new instructions and an Indexed Addressing mode. Enabled as a device configuration option, the extension has been specifically designed to optimize re-entrant application code originally developed in high-level languages, such as C.

## 1.1.6 EASY MIGRATION

Regardless of the memory size, all devices share the same rich set of peripherals, allowing for a smooth migration path as applications grow and evolve.

The consistent pinout scheme used throughout the entire family also aids in migrating to the next larger device.

The PIC18F46J50 family is also pin compatible with other PIC18 families, such as the PIC18F4550, PIC18F2450 and PIC18F45J10. This allows a new dimension to the evolution of applications, allowing developers to select different price points within Microchip's PIC18 portfolio, while maintaining the same feature set.

## 1.2 Other Special Features

- **Communications:** The PIC18F46J50 family incorporates a range of serial and parallel communication peripherals, including a fully featured USB communications module that is compliant with the “*USB Specification Revision 2.0*”. This device also includes two independent Enhanced USARTs and two Master Synchronous Serial Port (MSSP) modules, capable of both Serial Peripheral Interface (SPI) and I<sup>2</sup>C™ (Master and Slave) modes of operation. The device also has a parallel port and can be configured to serve as either a Parallel Master Port (PMP) or as a Parallel Slave Port (PSP).
- **ECCP Modules:** All devices in the family incorporate three Enhanced Capture/Compare/PWM (ECCP) modules to maximize flexibility in control applications. Up to four different time bases may be used to perform several different operations at once. Each of the ECCPs offers up to four PWM outputs, allowing for a total of eight PWMs. The ECCPs also offer many beneficial features, including polarity selection, programmable dead time, auto-shutdown and restart and Half-Bridge and Full-Bridge Output modes.
- **10-Bit A/D Converter:** This module incorporates programmable acquisition time, allowing for a channel to be selected and a conversion to be initiated without waiting for a sampling period, and thus, reducing code overhead.
- **Extended Watchdog Timer (WDT):** This enhanced version incorporates a 16-bit prescaler, allowing an extended time-out range that is stable across operating voltage and temperature. See [Section 30.0 “Electrical Characteristics”](#) for time-out periods.

## 1.3 Details on Individual Family Devices

Devices in the PIC18F46J50 family are available on 28-pin and 44-pin packages. Block diagrams for the two groups are shown in [Figure 1-1](#) and [Figure 1-2](#). The devices are differentiated from each other in two ways:

- Flash program memory (three sizes: 16 Kbytes for the PIC18FX4J50, 32 Kbytes for PIC18FX5J50 devices and 64 Kbytes for PIC18FX6J50)
- I/O ports (three bidirectional ports on 28-pin devices, five bidirectional ports on 44-pin devices)

All other features for devices in this family are identical. These are summarized in [Table 1-1](#) and [Table 1-2](#).

The pinouts for the PIC18F2XJ50 devices are listed in [Table 1-3](#). The pinouts for the PIC18F4XJ50 devices are shown in [Table 1-4](#).

The PIC18F46J50 family of devices provides an on-chip voltage regulator to supply the correct voltage levels to the core. Parts designated with an “F” part number (such as PIC18F46J50) have the voltage regulator enabled.

These parts can run from 2.15V-3.6V on V<sub>DD</sub>, but should have the V<sub>DDCORE</sub> pin connected to V<sub>SS</sub> through a low-ESR capacitor. Parts designated with an “LF” part number (such as PIC18LF46J50) do not enable the voltage regulator. For “LF” parts, an external supply of 2.0V-2.7V has to be supplied to the V<sub>DDCORE</sub> pin while 2.0V-3.6V can be supplied to V<sub>DD</sub> (V<sub>DDCORE</sub> should never exceed V<sub>DD</sub>).

For more details about the internal voltage regulator, see [Section 27.3 “On-Chip Voltage Regulator”](#).

# PIC18F46J50 FAMILY

**TABLE 1-1: DEVICE FEATURES FOR THE PIC18F2XJ50 (28-PIN DEVICES)**

| Features                             | PIC18F24J50   | PIC18F25J50 | PIC18F26J50 |
|--------------------------------------|---|-------------|-------------|
| Operating Frequency                  | DC – 48 MHz   | DC – 48 MHz | DC – 48 MHz |
| Program Memory (Bytes)               | 16K   | 32K         | 64K         |
| Program Memory (Instructions)        | 8,192   | 16,384      | 32,768      |
| Data Memory (Bytes)                  | 3.8K  | 3.8K        | 3.8K        |
| Interrupt Sources                    | 30  |             |             |
| I/O Ports                            | Ports A, B, C   |             |             |
| Timers                               | 5   |             |             |
| Enhanced Capture/Compare/PWM Modules | 2   |             |             |
| Serial Communications                | MSSP (2), Enhanced USART (2), USB   |             |             |
| Parallel Communications (PMP/PSP)    | No  |             |             |
| 10-Bit Analog-to-Digital Module      | 10 Input Channels   |             |             |
| Resets (and Delays)                  | POR, BOR, RESET Instruction, Stack Full, Stack Underflow, MCLR, WDT (PWRT, OST) |             |             |
| Instruction Set                      | 75 Instructions, 83 with Extended Instruction Set Enabled                       |             |             |
| Packages                             | 28-Pin QFN, SOIC, SSOP and SPDIP (300 mil)                                      |             |             |

**TABLE 1-2: DEVICE FEATURES FOR THE PIC18F4XJ50 (44-PIN DEVICES)**

| Features                             | PIC18F44J50   | PIC18F45J50 | PIC18F46J50 |
|--------------------------------------|---|-------------|-------------|
| Operating Frequency                  | DC – 48 MHz   | DC – 48 MHz | DC – 48 MHz |
| Program Memory (Bytes)               | 16K   | 32K         | 64K         |
| Program Memory (Instructions)        | 8,192   | 16,384      | 32,768      |
| Data Memory (Bytes)                  | 3.8K  | 3.8K        | 3.8K        |
| Interrupt Sources                    | 30  |             |             |
| I/O Ports                            | Ports A, B, C, D, E   |             |             |
| Timers                               | 5   |             |             |
| Enhanced Capture/Compare/PWM Modules | 2   |             |             |
| Serial Communications                | MSSP (2), Enhanced USART (2), USB   |             |             |
| Parallel Communications (PMP/PSP)    | Yes   |             |             |
| 10-Bit Analog-to-Digital Module      | 13 Input Channels   |             |             |
| Resets (and Delays)                  | POR, BOR, RESET Instruction, Stack Full, Stack Underflow, MCLR, WDT (PWRT, OST) |             |             |
| Instruction Set                      | 75 Instructions, 83 with Extended Instruction Set Enabled                       |             |             |
| Packages                             | 44-Pin QFN and TQFP   |             |             |

# PIC18F46J50 FAMILY

FIGURE 1-1: PIC18F2XJ50 (28-PIN) BLOCK DIAGRAM



**Note 1:** See Table 1-3 for I/O port pin descriptions.  
**Note 2:** BOR functionality is provided when the on-board voltage regulator is enabled.

# PIC18F46J50 FAMILY

FIGURE 1-2: PIC18F4XJ50 (44-PIN) BLOCK DIAGRAM



# PIC18F46J50 FAMILY

**TABLE 1-3: PIC18F2XJ50 PINOUT I/O DESCRIPTIONS**

| Pin Name              | Pin Number                 |        | Pin Type | Buffer Type | Description  |
|-----------------------|----------------------------|--------|----------|-------------|--|
|                       | 28-SPDIP/<br>SSOP/<br>SOIC | 28-QFN |          |             |  |
| MCLR                  | 1                          | 26     | I        | ST          | Master Clear (Reset) input. This pin is an active-low Reset to the device.   |
| OSC1/CLKI/RA7<br>OSC1 | 9                          | 6      | I        | ST          | Oscillator crystal or external clock input. Oscillator crystal input or external clock source input. ST buffer when configured in RC mode; CMOS otherwise. Main oscillator input connection. |
| CLKI                  |                            |        | I        | CMOS        | External clock source input; always associated with pin function, OSC1 (see related OSC1/CLKI pins).   |
| RA7 <sup>(1)</sup>    |                            |        | I/O      | TTL         | Digital I/O.   |
| OSC2/CLKO/RA6<br>OSC2 | 10                         | 7      | O        | —           | Oscillator crystal or clock output. Oscillator crystal output. Connects to crystal or resonator in Crystal Oscillator mode.  |
| CLKO                  |                            |        | O        | —           | Main oscillator feedback output connection. In RC mode, OSC2 pin outputs CLKO, which has 1/4 the frequency of OSC1 and denotes the instruction cycle rate.                                   |
| RA6 <sup>(1)</sup>    |                            |        | I/O      | TTL         | Digital I/O.   |

**Legend:** TTL = TTL compatible input  
 ST = Schmitt Trigger input with CMOS levels  
 I = Input  
 P = Power  
 DIG = Digital output  
 CMOS = CMOS compatible input or output  
 Analog = Analog input  
 O = Output  
 OD = Open-Drain (no P diode to VDD)  
 I<sup>2</sup>C™ = Open-Drain, I<sup>2</sup>C-specific

**Note 1:** RA7 and RA6 will be disabled if OSC1 and OSC2 are used for the clock function.





# PIC18F46J50 FAMILY

**TABLE 1-3: PIC18F2XJ50 PINOUT I/O DESCRIPTIONS (CONTINUED)**

| Pin Name  | Pin Number                 |        | Pin Type                       | Buffer Type                              | Description   |
|---|----------------------------|--------|--------------------------------|--|---|
|   | 28-SPDIP/<br>SSOP/<br>SOIC | 28-QFN |                                |  |   |
| RB0/AN12/INT0/RP3<br>RB0<br>AN12<br>INT0<br>RP3                             | 21                         | 18     | I/O<br>I<br>I<br>I/O           | DIG<br>Analog<br>ST<br>DIG               | PORTB is a bidirectional I/O port. PORTB can be software programmed for internal weak pull-ups on all inputs.<br><br>Digital I/O.<br>Analog Input 12.<br>External Interrupt 0.<br>Remappable Peripheral Pin 3 input/output. |
| RB1/AN10/RTCC/RP4<br>RB1<br>AN10<br>RTCC<br>RP4                             | 22                         | 19     | I/O<br>I<br>O<br>I/O           | DIG<br>Analog<br>DIG<br>DIG              | Digital I/O.<br>Analog Input 10.<br>Real-Time Clock Calendar (RTCC) output.<br>Remappable Peripheral Pin 4 input/output.  |
| RB2/AN8/CTED1/VMO/<br>REFO/RP5<br>RB2<br>AN8<br>CTED1<br>VMO<br>REFO<br>RP5 | 23                         | 20     | I/O<br>I<br>I<br>O<br>O<br>I/O | DIG<br>Analog<br>ST<br>DIG<br>DIG<br>DIG | Digital I/O.<br>Analog Input 8.<br>CTMU Edge 1 input.<br>External USB transceiver D- data output.<br>Reference output clock.<br>Remappable Peripheral Pin 5 input/output.   |
| RB3/AN9/CTED2/VPO/RP6<br>RB3<br>AN9<br>CTED2<br>VPO<br>RP6                  | 24                         | 21     | I/O<br>I<br>I/O<br>O<br>I      | DIG<br>Analog<br>ST<br>DIG<br>DIG        | Digital I/O.<br>Analog Input 9.<br>CTMU Edge 2 input.<br>External USB transceiver D+ data output.<br>Remappable Peripheral Pin 6 input/output.  |

**Legend:** TTL = TTL compatible input  
 ST = Schmitt Trigger input with CMOS levels  
 I = Input  
 P = Power  
 DIG = Digital output  
 CMOS = CMOS compatible input or output  
 Analog = Analog input  
 O = Output  
 OD = Open-Drain (no P diode to VDD)  
 I<sup>2</sup>C™ = Open-Drain, I<sup>2</sup>C-specific

**Note 1:** RA7 and RA6 will be disabled if OSC1 and OSC2 are used for the clock function.

# PIC18F46J50 FAMILY

**TABLE 1-3: PIC18F2XJ50 PINOUT I/O DESCRIPTIONS (CONTINUED)**

| Pin Name               | Pin Number                 |        | Pin Type | Buffer Type      | Description  |
|------------------------|----------------------------|--------|----------|------------------|--|
|                        | 28-SPDIP/<br>SSOP/<br>SOIC | 28-QFN |          |                  |  |
| PORTB (continued)      |                            |        |          |                  |  |
| RB4/KBI0/SCK1/SCL1/RP7 | 25                         | 22     | I/O      | DIG              | Digital I/O.                                       |
| RB4                    |                            |        | I        | TTL              | Interrupt-on-change pin.                           |
| KBI0                   |                            |        | I/O      | DIG              | Synchronous serial clock input/output.             |
| SCK1                   |                            |        | I/O      | I <sup>2</sup> C | I <sup>2</sup> C clock input/output.               |
| SCL1                   |                            |        | I/O      | DIG              | Remappable Peripheral Pin 7 input/output.          |
| RP7                    |                            |        |          |                  |  |
| RB5/KBI1/SDI1/SDA1/RP8 | 26                         | 23     | I/O      | DIG              | Digital I/O.                                       |
| RB5                    |                            |        | I        | TTL              | Interrupt-on-change pin.                           |
| KBI1                   |                            |        | I        | ST               | SPI data input.                                    |
| SDI1                   |                            |        | I/O      | I <sup>2</sup> C | I <sup>2</sup> C™ data input/output.               |
| SDA1                   |                            |        | I/O      | DIG              | Remappable Peripheral Pin 8 input/output.          |
| RP8                    |                            |        |          |                  |  |
| RB6/KBI2/PGC/RP9       | 27                         | 24     | I/O      | DIG              | Digital I/O.                                       |
| RB6                    |                            |        | I        | TTL              | Interrupt-on-change pin.                           |
| KBI2                   |                            |        | I        | ST               | ICSP™ clock input.                                 |
| PGC                    |                            |        | I/O      | DIG              | Remappable Peripheral Pin 9 input/output.          |
| RP9                    |                            |        |          |                  |  |
| RB7/KBI3/PGD/RP10      | 28                         | 25     | I/O      | DIG              | Digital I/O.                                       |
| RB7                    |                            |        | I        | TTL              | Interrupt-on-change pin.                           |
| KBI3                   |                            |        | I/O      | ST               | In-Circuit Debugger and ICSP programming data pin. |
| PGD                    |                            |        |          |                  |  |
| RP10                   |                            |        | I/O      | DIG              | Remappable Peripheral Pin 10 input/output.         |

**Legend:** TTL = TTL compatible input  
 ST = Schmitt Trigger input with CMOS levels  
 I = Input  
 P = Power  
 DIG = Digital output  
 CMOS = CMOS compatible input or output  
 Analog = Analog input  
 O = Output  
 OD = Open-Drain (no P diode to VDD)  
 I<sup>2</sup>C™ = Open-Drain, I<sup>2</sup>C-specific

**Note 1:** RA7 and RA6 will be disabled if OSC1 and OSC2 are used for the clock function.

# PIC18F46J50 FAMILY

**TABLE 1-3: PIC18F2XJ50 PINOUT I/O DESCRIPTIONS (CONTINUED)**

| Pin Name                                 | Pin Number                 |        | Pin Type | Buffer Type | Description   |
|--|----------------------------|--------|----------|-------------|---|
|  | 28-SPDIP/<br>SSOP/<br>SOIC | 28-QFN |          |             |   |
| RC0/T1OSO/T1CKI/RP11                     | 11                         | 8      | I/O      | ST          | PORTC is a bidirectional I/O port.<br><br>Digital I/O.<br>Timer1 oscillator output.<br>Timer1 external digital clock input.<br>Remappable Peripheral Pin 11 input/output. |
| RC0                                      |                            |        | O        | Analog      |   |
| T1OSO                                    |                            |        | I        | ST          |   |
| T1CKI                                    |                            |        | I/O      | DIG         |   |
| RP11                                     |                            |        |          |             |   |
| RC1/T1OSI/ $\overline{\text{UOE}}$ /RP12 | 12                         | 9      | I/O      | ST          | Digital I/O.<br>Timer1 oscillator input.<br>External USB transceiver NOE output.<br>Remappable Peripheral Pin 12 input/output.  |
| RC1                                      |                            |        | I        | Analog      |   |
| T1OSI                                    |                            |        | O        | DIG         |   |
| $\overline{\text{UOE}}$                  |                            |        | I/O      | DIG         |   |
| RP12                                     |                            |        |          |             |   |
| RC2/AN11/CTPLS/RP13                      | 13                         | 10     | I/O      | ST          | Digital I/O.<br>Analog Input 11.<br>CTMU pulse generator output.<br>Remappable Peripheral Pin 13 input/output.  |
| RC2                                      |                            |        | I        | Analog      |   |
| AN11                                     |                            |        | O        | DIG         |   |
| CTPLS                                    |                            |        | I/O      | DIG         |   |
| RP13                                     |                            |        |          |             |   |
| RC4/D-/VM                                | 15                         | 12     | I        | TTL         | Digital I.<br>USB bus minus line input/output.<br>External USB transceiver FM input.  |
| RC4                                      |                            |        | I/O      | —           |   |
| D-                                       |                            |        | I        | TTL         |   |
| VM                                       |                            |        |          |             |   |
| RC5/D+/VP                                | 16                         | 13     | I        | TTL         | Digital I.<br>USB bus plus line input/output.<br>External USB transceiver VP input.   |
| RC5                                      |                            |        | I/O      | DIG         |   |
| D+                                       |                            |        | I        | TTL         |   |
| VP                                       |                            |        |          |             |   |
| RC6/TX1/CK1/RP17                         | 17                         | 14     | I/O      | ST          | Digital I/O.<br>EUSART1 asynchronous transmit.<br>EUSART1 synchronous clock (see related RX1/DT1).<br>Remappable Peripheral Pin 17 input/output.                          |
| RC6                                      |                            |        | O        | DIG         |   |
| TX1                                      |                            |        | I/O      | ST          |   |
| CK1                                      |                            |        |          |             |   |
| RP17                                     |                            |        | I/O      | DIG         |   |
| RC7/RX1/DT1/SDO1/RP18                    | 18                         | 15     | I/O      | ST          | Digital I/O.<br>Asynchronous serial receive data input.<br>Synchronous serial data output/input.<br>SPI data output.<br>Remappable Peripheral Pin 18 input/output.        |
| RC7                                      |                            |        | I        | ST          |   |
| RX1                                      |                            |        | I/O      | ST          |   |
| DT1                                      |                            |        | O        | DIG         |   |
| SDO1                                     |                            |        | I/O      | DIG         |   |
| RP18                                     |                            |        |          |             |   |

**Legend:** TTL = TTL compatible input      CMOS = CMOS compatible input or output  
ST = Schmitt Trigger input with CMOS levels      Analog = Analog input  
I = Input      O = Output  
P = Power      OD = Open-Drain (no P diode to VDD)  
DIG = Digital output      I<sup>2</sup>C™ = Open-Drain, I<sup>2</sup>C-specific

**Note 1:** RA7 and RA6 will be disabled if OSC1 and OSC2 are used for the clock function.

# PIC18F46J50 FAMILY

**TABLE 1-3: PIC18F2XJ50 PINOUT I/O DESCRIPTIONS (CONTINUED)**

| Pin Name     | Pin Number                 |        | Pin Type | Buffer Type | Description  |
|--------------|----------------------------|--------|----------|-------------|--|
|              | 28-SPDIP/<br>SSOP/<br>SOIC | 28-QFN |          |             |  |
| VSS1         | 8                          | 5      | P        | —           | Ground reference for logic and I/O pins.                             |
| VSS2         | 19                         | 16     | —        | —           |  |
| VDD          | 20                         | 17     | P        | —           | Positive supply for peripheral digital logic and I/O pins.           |
| VDDCORE/VCAP | 6                          | 3      | —        | —           | Core logic power or external filter capacitor connection.            |
| VDDCORE      |                            |        | P        | —           | Positive supply for microcontroller core logic (regulator disabled). |
| VCAP         |                            |        | P        | —           | External filter capacitor connection (regulator enabled).            |
| VUSB         | 14                         | 11     | P        | —           | USB voltage input pin.   |

**Legend:** TTL = TTL compatible input      CMOS = CMOS compatible input or output  
 ST = Schmitt Trigger input with CMOS levels      Analog = Analog input  
 I = Input      O = Output  
 P = Power      OD = Open-Drain (no P diode to VDD)  
 DIG = Digital output      I<sup>2</sup>C™ = Open-Drain, I<sup>2</sup>C-specific

**Note 1:** RA7 and RA6 will be disabled if OSC1 and OSC2 are used for the clock function.

# PIC18F46J50 FAMILY

**TABLE 1-4: PIC18F4XJ50 PINOUT I/O DESCRIPTIONS**

| Pin Name              | Pin Number |         | Pin Type | Buffer Type | Description  |
|-----------------------|------------|---------|----------|-------------|--|
|                       | 44-QFN     | 44-TQFP |          |             |  |
| MCLR                  | 18         | 18      | I        | ST          | Master Clear (Reset) input; this is an active-low Reset to the device.   |
| OSC1/CLKI/RA7<br>OSC1 | 32         | 30      | I        | ST          | Oscillator crystal or external clock input. Oscillator crystal input or external clock source input. ST buffer when configured in RC mode; otherwise CMOS. Main oscillator input connection. |
| CLKI                  |            |         | I        | CMOS        | External clock source input; always associated with pin function, OSC1 (see related OSC1/CLKI pins).   |
| RA7 <sup>(1)</sup>    |            |         | I/O      | TTL         | Digital I/O.   |
| OSC2/CLKO/RA6<br>OSC2 | 33         | 31      | O        | —           | Oscillator crystal or clock output. Oscillator crystal output. Connects to crystal or resonator in Crystal Oscillator mode.  |
| CLKO                  |            |         | O        | —           | Main oscillator feedback output connection in RC mode, OSC2 pin outputs CLKO, which has 1/4 the frequency of OSC1 and denotes the instruction cycle rate.                                    |
| RA6 <sup>(1)</sup>    |            |         | I/O      | TTL         | Digital I/O.   |

**Legend:** TTL = TTL compatible input      CMOS = CMOS compatible input or output  
 ST = Schmitt Trigger input with CMOS levels      Analog = Analog input  
 I = Input      O = Output  
 P = Power      OD = Open-Drain (no P diode to VDD)  
 DIG = Digital output      I<sup>2</sup>C™ = Open-Drain, I<sup>2</sup>C-specific

**Note 1:** RA7 and RA6 will be disabled if OSC1 and OSC2 are used for the clock function.

# PIC18F46J50 FAMILY

**TABLE 1-4: PIC18F4XJ50 PINOUT I/O DESCRIPTIONS (CONTINUED)**

| Pin Name                                  | Pin Number |         | Pin Type | Buffer Type | Description                               |
|---|------------|---------|----------|-------------|---|
|   | 44-QFN     | 44-TQFP |          |             |   |
| RA0/AN0/C1INA/ULPWU/PMA6/RP0              | 19         | 19      |          |             | PORTA is a bidirectional I/O port.        |
| RA0                                       |            |         | I/O      | DIG         | Digital I/O.                              |
| AN0                                       |            |         | I        | Analog      | Analog Input 0.                           |
| C1INA                                     |            |         | I        | Analog      | Comparator 1 Input A.                     |
| ULPWU                                     |            |         | I        | Analog      | Ultra Low-Power Wake-up input.            |
| PMA6                                      |            |         | O        | DIG         | Parallel Master Port digital output.      |
| RP0                                       |            |         | I/O      | DIG         | Remappable Peripheral Pin 0 input/output. |
| RA1/AN1/C2INA/PMA7/RP1                    | 20         | 20      |          |             |   |
| RA1                                       |            |         | I        | DIG         | Digital I/O.                              |
| AN1                                       |            |         | O        | Analog      | Analog Input 1.                           |
| C2INA                                     |            |         | I        | Analog      | Comparator 2 Input A.                     |
| PMA7                                      |            |         | O        | DIG         | Parallel Master Port digital output.      |
| RP1                                       |            |         | I/O      | DIG         | Remappable Peripheral Pin 1 input/output. |
| RA2/AN2/VREF-/CVREF/C2INB                 | 21         | 21      |          |             |   |
| RA2                                       |            |         | I/O      | DIG         | Digital I/O.                              |
| AN2                                       |            |         | I        | Analog      | Analog Input 2.                           |
| VREF-                                     |            |         | O        | Analog      | A/D reference voltage (low) input.        |
| CVREF                                     |            |         | I        | Analog      | Comparator reference voltage output.      |
| C2INB                                     |            |         | I        | Analog      | Comparator 2 Input B.                     |
| RA3/AN3/VREF+/C1INB                       | 22         | 22      |          |             |   |
| RA3                                       |            |         | I/O      | DIG         | Digital I/O.                              |
| AN3                                       |            |         | I        | Analog      | Analog Input 3.                           |
| VREF+                                     |            |         | I        | Analog      | A/D reference voltage (high) input.       |
| C1INB                                     |            |         | I        | Analog      | Comparator 1 Input B.                     |
| RA5/AN4/ $\overline{SS1}$ /HLVDIN/RCV/RP2 | 24         | 24      |          |             |   |
| RA5                                       |            |         | I/O      | DIG         | Digital I/O.                              |
| AN4                                       |            |         | I        | Analog      | Analog Input 4.                           |
| $\overline{SS1}$                          |            |         | I        | TTL         | SPI slave select input.                   |
| HLVDIN                                    |            |         | I        | Analog      | Low-Voltage Detect (LVD) input.           |
| RCV                                       |            |         | I        | Analog      | External USB transceiver RCV input.       |
| RP2                                       |            |         | I/O      | DIG         | Remappable Peripheral Pin 2 input/output. |
| RA6 <sup>(1)</sup>                        |            |         |          |             | See the OSC2/CLKO/RA6 pin.                |
| RA7 <sup>(1)</sup>                        |            |         |          |             | See the OSC1/CLKI/RA7 pin.                |

**Legend:** TTL = TTL compatible input      CMOS = CMOS compatible input or output  
 ST = Schmitt Trigger input with CMOS levels      Analog = Analog input  
 I = Input      O = Output  
 P = Power      OD = Open-Drain (no P diode to VDD)  
 DIG = Digital output      I<sup>2</sup>C™ = Open-Drain, I<sup>2</sup>C-specific

**Note 1:** RA7 and RA6 will be disabled if OSC1 and OSC2 are used for the clock function.

# PIC18F46J50 FAMILY

**TABLE 1-4: PIC18F4XJ50 PINOUT I/O DESCRIPTIONS (CONTINUED)**

| Pin Name   | Pin Number |         | Pin Type                            | Buffer Type                                     | Description   |
|--|------------|---------|-------------------------------------|---|---|
|  | 44-QFN     | 44-TQFP |                                     |   |   |
| RB0/AN12/INT0/RP3<br>RB0<br>AN12<br>INT0<br>RP3  | 9          | 8       | I/O<br>I<br>I<br>I/O                | DIG<br>Analog<br>ST<br>DIG                      | PORTB is a bidirectional I/O port. PORTB can be software programmed for internal weak pull-ups on all inputs.<br><br>Digital I/O.<br>Analog Input 12.<br>External Interrupt 0.<br>Remappable Peripheral Pin 3 input/output. |
| RB1/AN10/PMBE/RTCC/RP4<br>RB1<br>AN10<br>PMBE<br>RTCC<br>RP4                             | 10         | 9       | I/O<br>I<br>O<br>O<br>I/O           | DIG<br>Analog<br>DIG<br>DIG<br>DIG              | Digital I/O.<br>Analog Input 10.<br>Parallel Master Port byte enable.<br>Real-Time Clock Calendar (RTCC) output.<br>Remappable Peripheral Pin 4 Input/output.   |
| RB2/AN8/CTED1/PMA3/VMO/<br>REFO/RP5<br>RB2<br>AN8<br>CTED1<br>PMA3<br>VMO<br>REFO<br>RP5 | 11         | 10      | I/O<br>I<br>I<br>O<br>O<br>O<br>I/O | DIG<br>Analog<br>ST<br>DIG<br>DIG<br>DIG<br>DIG | Digital I/O.<br>Analog Input 8.<br>CTMU Edge 1 input.<br>Parallel Master Port address.<br>External USB transceiver D- data output.<br>Reference output clock.<br>Remappable Peripheral Pin 5 input/output.                  |
| RB3/AN9/CTED2/PMA2/VPO/<br>RP6<br>RB3<br>AN9<br>CTED2<br>PMA2<br>VPO<br>RP6              | 12         | 11      | I/O<br>I<br>I<br>O<br>O<br>I/O      | DIG<br>Analog<br>ST<br>DIG<br>DIG<br>DIG        | Digital I/O.<br>Analog Input 9.<br>CTMU Edge 2 input.<br>Parallel Master Port address.<br>External USB transceiver D+ data output.<br>Remappable Peripheral Pin 6 input/output.   |

**Legend:** TTL = TTL compatible input  
 ST = Schmitt Trigger input with CMOS levels  
 I = Input  
 P = Power  
 DIG = Digital output  
 CMOS = CMOS compatible input or output  
 Analog = Analog input  
 O = Output  
 OD = Open-Drain (no P diode to VDD)  
 I<sup>2</sup>C™ = Open-Drain, I<sup>2</sup>C-specific

**Note 1:** RA7 and RA6 will be disabled if OSC1 and OSC2 are used for the clock function.





# PIC18F46J50 FAMILY

**TABLE 1-4: PIC18F4XJ50 PINOUT I/O DESCRIPTIONS (CONTINUED)**

| Pin Name                          | Pin Number |         | Pin Type | Buffer Type | Description  |
|-----------------------------------|------------|---------|----------|-------------|--|
|                                   | 44-QFN     | 44-TQFP |          |             |  |
| RC0/T1OSO/T1CKI/RP11              | 34         | 32      |          |             | PORTC is a bidirectional I/O port.                           |
| RC0                               |            |         | I/O      | ST          | Digital I/O.   |
| T1OSO                             |            |         | O        | Analog      | Timer1 oscillator output.                                    |
| T1CKI                             |            |         | I        | ST          | Timer1/Timer3 external clock input.                          |
| RP11                              |            |         | I/O      | DIG         | Remappable Peripheral Pin 11 input/output.                   |
| RC1/T1OSI/ $\overline{UOE}$ /RP12 | 35         | 35      |          |             |  |
| RC1                               |            |         | I/O      | ST          | Digital I/O.   |
| T1OSI                             |            |         | I        | Analog      | Timer1 oscillator input.                                     |
| $\overline{UOE}$                  |            |         | O        | DIG         | External USB transceiver NOE output.                         |
| RP12                              |            |         | I/O      | DIG         | Remappable Peripheral Pin 12 input/output.                   |
| RC2/AN11/CTPLS/RP13               | 36         | 36      |          |             |  |
| RC2                               |            |         | I/O      | ST          | Digital I/O.   |
| AN11                              |            |         | I        | Analog      | Analog Input 11.   |
| CTPLS                             |            |         | O        | DIG         | CTMU pulse generator output.                                 |
| RP13                              |            |         | I/O      | DIG         | Remappable Peripheral Pin 13 input/output.                   |
| RC4/D-/VM                         | 42         | 42      |          |             |  |
| RC4                               |            |         | I        | TTL         | Digital I.   |
| D-                                |            |         | O        | —           | USB bus minus line input/output.                             |
| VM                                |            |         | I        | TTL         | External USB transceiver FM input.                           |
| RC5/D+/VP                         | 43         | 43      |          |             |  |
| RC5                               |            |         | I        | TTL         | Digital I.   |
| D+                                |            |         | I/O      | DIG         | USB bus plus line input/output.                              |
| VP                                |            |         | I        | TTL         | External USB transceiver VP input.                           |
| RC6/PMA5/TX1/CK1/RP17             | 44         | 44      |          |             |  |
| RC6                               |            |         | I/O      | ST          | Digital I/O.   |
| PMA5                              |            |         | O        | DIG         | Parallel Master Port address.                                |
| TX1                               |            |         | O        | DIG         | EUSART1 asynchronous transmit.                               |
| CK1                               |            |         | I/O      | ST          | EUSART1 synchronous clock (see related RX1/DT1).             |
| RP17                              |            |         | I/O      | DIG         | Remappable Peripheral Pin 17 input/output.                   |
| RC7/PMA4/RX1/DT1/SDO1/RP18        | 1          | 1       |          |             |  |
| RC7                               |            |         | I/O      | ST          | Digital I/O.   |
| PMA4                              |            |         | O        | DIG         | Parallel Master Port address.                                |
| RX1                               |            |         | I        | ST          | EUSART1 asynchronous receive.                                |
| DT1                               |            |         | I/O      | ST          | EUSART1 synchronous data output/input (see related TX1/CK1). |
| SDO1                              |            |         | O        | DIG         | SPI data output.   |
| RP18                              |            |         | I/O      | DIG         | Remappable Peripheral Pin 18 input/output.                   |

**Legend:** TTL = TTL compatible input  
 ST = Schmitt Trigger input with CMOS levels  
 I = Input  
 P = Power  
 DIG = Digital output

CMOS = CMOS compatible input or output  
 Analog = Analog input  
 O = Output  
 OD = Open-Drain (no P diode to VDD)  
 I<sup>2</sup>C™ = Open-Drain, I<sup>2</sup>C-specific

**Note 1:** RA7 and RA6 will be disabled if OSC1 and OSC2 are used for the clock function.

# PIC18F46J50 FAMILY

**TABLE 1-4: PIC18F4XJ50 PINOUT I/O DESCRIPTIONS (CONTINUED)**

| Pin Name                             | Pin Number |         | Pin Type          | Buffer Type      | Description  |
|--------------------------------------|------------|---------|-------------------|------------------|--|
|                                      | 44-QFN     | 44-TQFP |                   |                  |  |
| RD0/PMD0/SCL2<br>RD0<br>PMD0<br>SCL2 | 38         | 38      | I/O<br>I/O<br>I/O | ST<br>DIG<br>DIG | PORTD is a bidirectional I/O port.<br><br>Digital I/O.<br>Parallel Master Port data.<br>I <sup>2</sup> C™ data input/output. |
| RD1/PMD1/SDA2<br>RD1<br>PMD1<br>SDA2 | 39         | 39      | I/O<br>I/O<br>I/O | ST<br>DIG<br>DIG | Digital I/O.<br>Parallel Master Port data.<br>I <sup>2</sup> C data input/output.  |
| RD2/PMD2/RP19<br>RD2<br>PMD2<br>RP19 | 40         | 40      | I/O<br>I/O<br>I/O | ST<br>DIG<br>DIG | Digital I/O.<br>Parallel Master Port data.<br>Remappable Peripheral Pin 19 input/output.                                     |
| RD3/PMD3/RP20<br>RD3<br>PMD3<br>RP20 | 41         | 41      | I/O<br>I/O<br>I/O | ST<br>DIG<br>DIG | Digital I/O.<br>Parallel Master Port data.<br>Remappable Peripheral Pin 20 input/output.                                     |
| RD4/PMD4/RP21<br>RD4<br>PMD4<br>RP21 | 2          | 2       | I/O<br>I/O<br>I/O | ST<br>DIG<br>DIG | Digital I/O.<br>Parallel Master Port data.<br>Remappable Peripheral Pin 21 input/output.                                     |
| RD5/PMD5/RP22<br>RD5<br>PMD5<br>RP22 | 3          | 3       | I/O<br>I/O<br>I/O | ST<br>DIG<br>DIG | Digital I/O.<br>Parallel Master Port data.<br>Remappable Peripheral Pin 22 input/output.                                     |
| RD6/PMD6/RP23<br>RD6<br>PMD6<br>RP23 | 4          | 4       | I/O<br>I/O<br>I/O | ST<br>DIG<br>DIG | Digital I/O.<br>Parallel Master Port data.<br>Remappable Peripheral Pin 23 input/output.                                     |
| RD7/PMD7/RP24<br>RD7<br>PMD7<br>RP24 | 5          | 5       | I/O<br>I/O<br>I/O | ST<br>DIG<br>DIG | Digital I/O.<br>Parallel Master Port data.<br>Remappable Peripheral Pin 24 input/output.                                     |

**Legend:** TTL = TTL compatible input      CMOS = CMOS compatible input or output  
 ST = Schmitt Trigger input with CMOS levels      Analog = Analog input  
 I = Input      O = Output  
 P = Power      OD = Open-Drain (no P diode to VDD)  
 DIG = Digital output      I<sup>2</sup>C™ = Open-Drain, I<sup>2</sup>C-specific

**Note 1:** RA7 and RA6 will be disabled if OSC1 and OSC2 are used for the clock function.

# PIC18F46J50 FAMILY

**TABLE 1-4: PIC18F4XJ50 PINOUT I/O DESCRIPTIONS (CONTINUED)**

| Pin Name                           | Pin Number |         | Pin Type        | Buffer Type         | Description   |
|------------------------------------|------------|---------|-----------------|---------------------|---|
|                                    | 44-QFN     | 44-TQFP |                 |                     |   |
| RE0/AN5/PMRD<br>RE0<br>AN5<br>PMRD | 25         | 25      | I/O<br>I<br>I/O | ST<br>Analog<br>DIG | <p>PORTE is a bidirectional I/O port.</p> <p>Digital I/O.<br/>Analog Input 5.<br/>Parallel Master Port input/output.</p>  |
| RE1/AN6/PMWR<br>RE1<br>AN6<br>PMWR | 26         | 26      | I/O<br>I<br>I/O | ST<br>Analog<br>DIG | <p>Digital I/O.<br/>Analog Input 6.<br/>Parallel Master Port write strobe.</p>  |
| RE2/AN7/PMCS<br>RE2<br>AN7<br>PMCS | 27         | 27      | I/O<br>I<br>O   | ST<br>Analog<br>—   | <p>Digital I/O.<br/>Analog Input 7.<br/>Parallel Master Port chip select.</p>   |
| VSS1                               | 6          | 6       | P               | —                   | Ground reference for logic and I/O pins.  |
| VSS2                               | 31         | 29      | —               | —                   |   |
| AVSS1                              | 30         | —       | P               | —                   | Ground reference for analog modules.  |
| VDD1                               | 8          | 7       | P               | —                   | Positive supply for peripheral digital logic and I/O pins.  |
| VDD2                               | 29         | 28      | P               | —                   |   |
| VDDCORE/VCAP<br>VDDCORE<br>VCAP    | 23         | 23      | P<br>P          | —<br>—              | <p>Core logic power or external filter capacitor connection.</p> <p>Positive supply for microcontroller core logic (regulator disabled).</p> <p>External filter capacitor connection (regulator enabled).</p> |
| AVDD1                              | 7          | —       | P               | —                   | Positive supply for analog modules.   |
| AVDD2                              | 28         | —       | —               | —                   | Positive supply for analog modules.   |
| VUSB                               | 37         | 37      | P               | —                   | USB voltage input pin.  |

**Legend:** TTL = TTL compatible input  
 ST = Schmitt Trigger input with CMOS levels  
 I = Input  
 P = Power  
 DIG = Digital output  
 CMOS = CMOS compatible input or output  
 Analog = Analog input  
 O = Output  
 OD = Open-Drain (no P diode to VDD)  
 I<sup>2</sup>C™ = Open-Drain, I<sup>2</sup>C-specific

**Note 1:** RA7 and RA6 will be disabled if OSC1 and OSC2 are used for the clock function.

## 2.0 GUIDELINES FOR GETTING STARTED WITH PIC18FJ MICROCONTROLLERS

### 2.1 Basic Connection Requirements

Getting started with the PIC18F46J50 family of 8-bit microcontrollers requires attention to a minimal set of device pin connections before proceeding with development.

The following pins must always be connected:

- All VDD and VSS pins (see [Section 2.2 “Power Supply Pins”](#))
- All AVDD and AVSS pins (if present), regardless of whether or not the analog device features are used (see [Section 2.2 “Power Supply Pins”](#))
- MCLR pin (see [Section 2.3 “Master Clear \(MCLR\) Pin”](#))
- VCAP/VDDCORE pin (see [Section 2.4 “Voltage Regulator Pins \(VCAP/VDDCORE\)”](#))

These pins must also be connected if they are being used in the end application:

- PGC/PGD pins used for In-Circuit Serial Programming™ (ICSP™) and debugging purposes (see [Section 2.5 “ICSP Pins”](#))
- OSCI and OSCO pins when an external oscillator source is used (see [Section 2.6 “External Oscillator Pins”](#))

Additionally, the following pins may be required:

- VREF+/VREF- pins are used when external voltage reference for analog modules is implemented

**Note:** The AVDD and AVSS pins must always be connected, regardless of whether any of the analog modules are being used.

The minimum mandatory connections are shown in [Figure 2-1](#).

**FIGURE 2-1: RECOMMENDED MINIMUM CONNECTIONS**



# PIC18F46J50 FAMILY

## 2.2 Power Supply Pins

### 2.2.1 DECOUPLING CAPACITORS

The use of decoupling capacitors on every pair of power supply pins, such as VDD, VSS, AVDD and AVSS, is required.

Consider the following criteria when using decoupling capacitors:

- **Value and type of capacitor:** A 0.1  $\mu\text{F}$  (100 nF), 10-20V capacitor is recommended. The capacitor should be a low-ESR device, with a resonance frequency in the range of 200 MHz and higher. Ceramic capacitors are recommended.
- **Placement on the printed circuit board:** The decoupling capacitors should be placed as close to the pins as possible. It is recommended to place the capacitors on the same side of the board as the device. If space is constricted, the capacitor can be placed on another layer on the PCB using a via; however, ensure that the trace length from the pin to the capacitor is no greater than 0.25 inch (6 mm).
- **Handling high-frequency noise:** If the board is experiencing high-frequency noise (upward of tens of MHz), add a second ceramic type capacitor in parallel to the above described decoupling capacitor. The value of the second capacitor can be in the range of 0.01  $\mu\text{F}$  to 0.001  $\mu\text{F}$ . Place this second capacitor next to each primary decoupling capacitor. In high-speed circuit designs, consider implementing a decade pair of capacitances as close to the power and ground pins as possible (e.g., 0.1  $\mu\text{F}$  in parallel with 0.001  $\mu\text{F}$ ).
- **Maximizing performance:** On the board layout from the power supply circuit, run the power and return traces to the decoupling capacitors first, and then to the device pins. This ensures that the decoupling capacitors are first in the power chain. Equally important is to keep the trace length between the capacitor and the power pins to a minimum, thereby reducing PCB trace inductance.

### 2.2.2 BULK CAPACITORS

On boards with power traces running longer than six inches in length, it is suggested to use a larger energy storing capacitor for integrated circuits, including microcontrollers, to supply a local power source. The value of this capacitor should be determined based on the trace resistance that connects the power supply source to the device, and the maximum current drawn by the device in the application. In other words, select the capacitor so that it meets the acceptable voltage sag at the device. Typical values range from 4.7  $\mu\text{F}$  to 47  $\mu\text{F}$ .

## 2.3 Master Clear ( $\overline{\text{MCLR}}$ ) Pin

The  $\overline{\text{MCLR}}$  pin provides two specific device functions: Device Reset, and Device Programming and Debugging. If programming and debugging are not required in the end application, a direct connection to VDD may be all that is required. The addition of other components, to help increase the application's resistance to spurious Resets from voltage sags, may be beneficial. A typical configuration is shown in Figure 2-1. Other circuit designs may be implemented, depending on the application's requirements.

During programming and debugging, the resistance and capacitance that can be added to the pin must be considered. Device programmers and debuggers drive the  $\overline{\text{MCLR}}$  pin. Consequently, specific voltage levels ( $V_{IH}$  and  $V_{IL}$ ) and fast signal transitions must not be adversely affected. Therefore, specific values of R1 and C1 will need to be adjusted based on the application and PCB requirements. For example, it is recommended that the capacitor, C1, be isolated from the  $\overline{\text{MCLR}}$  pin during programming and debugging operations by using a jumper (Figure 2-2). The jumper is replaced for normal run-time operations.

Any components associated with the  $\overline{\text{MCLR}}$  pin should be placed within 0.25 inch (6 mm) of the pin.

**FIGURE 2-2: EXAMPLE OF  $\overline{\text{MCLR}}$  PIN CONNECTIONS**



# PIC18F46J50 FAMILY

## 2.4 Voltage Regulator Pins (VCAP/VDDCORE)

On “F” devices, a low-ESR ( $< 5\Omega$ ) capacitor is required on the VCAP/VDDCORE pin to stabilize the voltage regulator output voltage. The VCAP/VDDCORE pin must not be connected to VDD or any other voltage source on an “F” device. The VCAP/VDDCORE pin should only be connected to a 10  $\mu\text{F}$  capacitor to ground. The type can be ceramic or tantalum. Suitable example capacitors are provided in Table 2-1.

Designers may use Figure 2-3 to evaluate ESR equivalence of candidate devices. It is recommended that the trace length not exceed 0.25 inch (6 mm). Refer to Section 30.0 “Electrical Characteristics” for additional information.

On “LF” devices, the internal core voltage regulator is disabled. On these devices, the VCAP/VDDCORE pin must be externally connected to a suitable VDDCORE level voltage source at the circuit board level. Refer to Section 30.0 “Electrical Characteristics” for the allowed VDDCORE voltage range. Good power supply bypassing practices should be used for the supply source providing the VCAP/VDDCORE voltage.

It is recommended to use a 0.1  $\mu\text{F}$  ceramic capacitor between VCAP/VDDCORE and ground, placed as close to the VCAP/VDDCORE and VSS pins as possible.

**FIGURE 2-3: FREQUENCY vs. ESR PERFORMANCE FOR SUGGESTED VCAP**



**TABLE 2-1: SUITABLE CAPACITOR EQUIVALENTS**

| Make      | Part #             | Nominal Capacitance | Base Tolerance | Rated Voltage | Temp. Range   |
|-----------|--------------------|---------------------|----------------|---------------|---------------|
| TDK       | C3216X7R1C106K     | 10 $\mu\text{F}$    | $\pm 10\%$     | 16V           | -55 to +125°C |
| TDK       | C3216X5R1C106K     | 10 $\mu\text{F}$    | $\pm 10\%$     | 16V           | -55 to +85°C  |
| Panasonic | ECJ-3YX1C106K      | 10 $\mu\text{F}$    | $\pm 10\%$     | 16V           | -55 to +125°C |
| Panasonic | ECJ-4YB1C106K      | 10 $\mu\text{F}$    | $\pm 10\%$     | 16V           | -55 to +85°C  |
| Murata    | GRM32DR71C106KA01L | 10 $\mu\text{F}$    | $\pm 10\%$     | 16V           | -55 to +125°C |
| Murata    | GRM31CR61C106KC31L | 10 $\mu\text{F}$    | $\pm 10\%$     | 16V           | -55 to +85°C  |

# PIC18F46J50 FAMILY

## 2.4.1 CONSIDERATIONS FOR CERAMIC CAPACITORS

In recent years, large value, low-voltage, surface-mount ceramic capacitors have become very cost effective in sizes up to a few tens of microfarad. The low-ESR, small physical size and other properties make ceramic capacitors very attractive in many types of applications.

Ceramic capacitors are suitable for use with the VDDCORE voltage regulator of this microcontroller. However, some care is needed in selecting the capacitor to ensure that it maintains sufficient capacitance over the intended operating range of the application.

Typical low-cost, 10  $\mu\text{F}$  ceramic capacitors are available in X5R, X7R and Y5V dielectric ratings (other types are also available, but are less common). The initial tolerance specifications for these types of capacitors are often specified as  $\pm 10\%$  to  $\pm 20\%$  (X5R and X7R), or  $-20\%/+80\%$  (Y5V). However, the effective capacitance that these capacitors provide in an application circuit will also vary based on additional factors, such as the applied DC bias voltage and the temperature. The total in-circuit tolerance is, therefore, much wider than the initial tolerance specification.

The X5R and X7R capacitors typically exhibit satisfactory temperature stability (ex:  $\pm 15\%$  over a wide temperature range, but consult the manufacturer's data sheets for exact specifications). However, Y5V capacitors typically have extreme temperature tolerance specifications of  $+22\%/-82\%$ . Due to the extreme temperature tolerance, a 10  $\mu\text{F}$  nominal rated Y5V type capacitor may not deliver enough total capacitance to meet minimum VDDCORE voltage regulator stability and transient response requirements. Therefore, Y5V capacitors are not recommended for use with the VDDCORE regulator if the application must operate over a wide temperature range.

In addition to temperature tolerance, the effective capacitance of large value ceramic capacitors can vary substantially, based on the amount of DC voltage applied to the capacitor. This effect can be very significant, but is often overlooked or is not always documented.

A typical DC bias voltage vs. capacitance graph for X7R type and Y5V type capacitors is shown in [Figure 2-4](#).

**FIGURE 2-4: DC BIAS VOLTAGE vs. CAPACITANCE CHARACTERISTICS**



When selecting a ceramic capacitor to be used with the VDDCORE voltage regulator, it is suggested to select a high-voltage rating, so that the operating voltage is a small percentage of the maximum rated capacitor voltage. For example, choose a ceramic capacitor rated at 16V for the 2.5V VDDCORE voltage. Suggested capacitors are shown in [Table 2-1](#).

## 2.5 ICSP Pins

The PGC and PGD pins are used for In-Circuit Serial Programming™ (ICSP™) and debugging purposes. It is recommended to keep the trace length between the ICSP connector and the ICSP pins on the device as short as possible. If the ICSP connector is expected to experience an ESD event, a series resistor is recommended, with the value in the range of a few tens of ohms, not to exceed 100 $\Omega$ .

Pull-up resistors, series diodes, and capacitors on the PGC and PGD pins are not recommended as they will interfere with the programmer/debugger communications to the device. If such discrete components are an application requirement, they should be removed from the circuit during programming and debugging. Alternatively, refer to the AC/DC characteristics and timing requirements information in the respective device Flash programming specification for information on capacitive loading limits, and pin input voltage high ( $V_{IH}$ ) and input low ( $V_{IL}$ ) requirements.

For device emulation, ensure that the “Communication Channel Select” (i.e., PGCx/PGDx pins), programmed into the device, matches the physical connections for the ICSP to the Microchip debugger/emulator tool.

For more information on available Microchip development tools connection requirements, refer to [Section 29.0 “Development Support”](#).



## 2.6 External Oscillator Pins

Many microcontrollers have options for at least two oscillators: a high-frequency primary oscillator and a low-frequency secondary oscillator (refer to [Section 3.0 “Oscillator Configurations”](#) for details).

The oscillator circuit should be placed on the same side of the board as the device. Place the oscillator circuit close to the respective oscillator pins with no more than 0.5 inch (12 mm) between the circuit components and the pins. The load capacitors should be placed next to the oscillator itself, on the same side of the board.

Use a grounded copper pour around the oscillator circuit to isolate it from surrounding circuits. The grounded copper pour should be routed directly to the MCU ground. Do not run any signal traces or power traces inside the ground pour. Also, if using a two-sided board, avoid any traces on the other side of the board where the crystal is placed.

Layout suggestions are shown in [Figure 2-5](#). In-line packages may be handled with a single-sided layout that completely encompasses the oscillator pins. With fine-pitch packages, it is not always possible to completely surround the pins and components. A suitable solution is to tie the broken guard sections to a mirrored ground layer. In all cases, the guard trace(s) must be returned to ground.

In planning the application's routing and I/O assignments, ensure that adjacent port pins, and other signals in close proximity to the oscillator, are benign (i.e., free of high frequencies, short rise and fall times, and other similar noise).

For additional information and design guidance on oscillator circuits, please refer to these Microchip Application Notes, available at the corporate web site ([www.microchip.com](http://www.microchip.com)):

- AN826, “Crystal Oscillator Basics and Crystal Selection for rPIC™ and PICmicro® Devices”
- AN849, “Basic PICmicro® Oscillator Design”
- AN943, “Practical PICmicro® Oscillator Analysis and Design”
- AN949, “Making Your Oscillator Work”

## 2.7 Unused I/Os

Unused I/O pins should be configured as outputs and driven to a logic low state. Alternatively, connect a 1 kΩ to 10 kΩ resistor to V<sub>SS</sub> on unused pins and drive the output to logic low.

**FIGURE 2-5: SUGGESTED PLACEMENT OF THE OSCILLATOR CIRCUIT**



# PIC18F46J50 FAMILY

---

NOTES:

## 3.0 OSCILLATOR CONFIGURATIONS

### 3.1 Overview

Devices in the PIC18F46J50 family incorporate a different oscillator and microcontroller clock system than general purpose PIC18F devices. Besides the USB module, with its unique requirements for a stable clock source, make it necessary to provide a separate clock source that is compliant with both USB low-speed and full-speed specifications.

The PIC18F46J50 family has additional prescalers and postscalers, which have been added to accommodate a wide range of oscillator frequencies. [Figure 3-1](#) provides an overview of the oscillator structure.

Other oscillator features used in PIC18 enhanced microcontrollers, such as the internal oscillator block and clock switching, remain the same. They are discussed later in this chapter.

#### 3.1.1 OSCILLATOR CONTROL

The operation of the oscillator in PIC18F46J50 family devices is controlled through three Configuration registers and two control registers. Configuration registers, CONFIG1L, CONFIG1H and CONFIG2L, select the oscillator mode, PLL prescaler and CPU divider options. As Configuration bits, these are set when the device is programmed and left in that configuration until the device is reprogrammed.

The OSCCON register ([Register 3-2](#)) selects the Active Clock mode; it is primarily used in controlling clock switching in power-managed modes. Its use is discussed in [Section 3.5.1 “Oscillator Control Register”](#).

The OSCTUNE register ([Register 3-1](#)) is used to trim the INTOSC frequency source, and select the low-frequency clock source that drives several special features. The OSCTUNE register is also used to activate or disable the Phase Locked Loop (PLL). Its use is described in [Section 3.2.5.1 “OSCTUNE Register”](#).

## 3.2 Oscillator Types

PIC18F46J50 family devices can be operated in eight distinct oscillator modes. Users can program the FOSC<2:0> Configuration bits to select one of the modes listed in [Table 3-1](#). For oscillator modes which produce a clock output (CLKO) on pin RA6, the output frequency will be one fourth of the peripheral clock frequency. The clock output stops when in Sleep mode, but will continue during Idle mode (see [Figure 3-1](#)).

TABLE 3-1: OSCILLATOR MODES

| Mode       | Description   |
|------------|---|
| ECPLL      | External Clock Input mode, the PLL can be enabled or disabled in software, CLKO on RA6, apply external clock signal to RA7.   |
| EC         | External Clock Input mode, the PLL is always disabled, CLKO on RA6, apply external clock signal to RA7.   |
| HSPLL      | High-Speed Crystal/Resonator mode, PLL can be enabled or disabled in software, crystal/resonator connected between RA6 and RA7.   |
| HS         | High-Speed Crystal/Resonator mode, PLL always disabled, crystal/resonator connected between RA6 and RA7.  |
| INTOSCPLLO | Internal Oscillator mode, PLL can be enabled or disabled in software, CLKO on RA6, port function on RA7, the internal oscillator block is used to derive both the primary clock source and the postscaled internal clock. |
| INTOSCPLL  | Internal Oscillator mode, PLL can be enabled or disabled in software, port function on RA6 and RA7, the internal oscillator block is used to derive both the primary clock source and the postscaled internal clock.      |
| INTOSCO    | Internal Oscillator mode, PLL is always disabled, CLKO on RA6, port function on RA7, the output of the INTOSC postscaler serves as both the postscaled internal clock and the primary clock source.                       |
| INTOSC     | Internal Oscillator mode, PLL is always disabled, port function on RA6 and RA7, the output of the INTOSC postscaler serves as both the postscaled internal clock and the primary clock source.                            |

# PIC18F46J50 FAMILY

## 3.2.1 OSCILLATOR MODES AND USB OPERATION

Because of the unique requirements of the USB module, a different approach to clock operation is necessary. In order to use the USB module, a fixed 6 MHz or 48 MHz clock must be internally provided to the USB module for operation in either Low-Speed or Full-Speed mode, respectively. The microcontroller core need not be clocked at the same frequency as the USB module.

A network of MUXes, clock dividers and a fixed 96 MHz output PLL have been provided, which can be used to derive various microcontroller core and USB module frequencies. Figure 3-1 helps in understanding the oscillator structure of the PIC18F46J50 family of devices.

**FIGURE 3-1: PIC18F46J50 FAMILY CLOCK DIAGRAM**



# PIC18F46J50 FAMILY

## 3.2.2 CRYSTAL OSCILLATOR/CERAMIC RESONATORS

In HS and HSPLL Oscillator modes, a crystal or ceramic resonator is connected to the OSC1 and OSC2 pins to establish oscillation. Figure 3-2 displays the pin connections.

The oscillator design requires the use of a parallel resonant crystal.

**Note:** Use of a series resonant crystal may give a frequency out of the crystal manufacturer's specifications.

**FIGURE 3-2: CRYSTAL/CERAMIC RESONATOR OPERATION (HS OR HSPLL CONFIGURATION)**



**TABLE 3-2: CAPACITOR SELECTION FOR CERAMIC RESONATORS**

| Typical Capacitor Values Used: |          |       |       |
|--------------------------------|----------|-------|-------|
| Mode                           | Freq     | OSC1  | OSC2  |
| HS                             | 8.0 MHz  | 27 pF | 27 pF |
|                                | 16.0 MHz | 22 pF | 22 pF |

**Capacitor values are for design guidance only.**  
These capacitors were tested with the resonators listed below for basic start-up and operation. **These values are not optimized.**

Different capacitor values may be required to produce acceptable oscillator operation. The user should test the performance of the oscillator over the expected VDD and temperature range for the application.

See the notes following Table 3-3 for additional information.

| Resonators Used: |
|------------------|
| 4.0 MHz          |
| 8.0 MHz          |
| 16.0 MHz         |

**TABLE 3-3: CAPACITOR SELECTION FOR CRYSTAL OSCILLATOR**

| Osc Type | Crystal Freq | Typical Capacitor Values Tested: |       |
|----------|--------------|----------------------------------|-------|
|          |              | C1                               | C2    |
| HS       | 4 MHz        | 27 pF                            | 27 pF |
|          | 8 MHz        | 22 pF                            | 22 pF |
|          | 16 MHz       | 18 pF                            | 18 pF |

**Capacitor values are for design guidance only.**

These capacitors were tested with the crystals listed below for basic start-up and operation. **These values are not optimized.**

Different capacitor values may be required to produce acceptable oscillator operation. The user should test the performance of the oscillator over the expected VDD and temperature range for the application.

See the notes following this table for additional information.

| Crystals Used: |
|----------------|
| 4 MHz          |
| 8 MHz          |
| 16 MHz         |

**Note 1:** Higher capacitance not only increases the stability of the oscillator, but also increases the start-up time.

**2:** Since each resonator/crystal has its own characteristics, the user should consult the resonator/crystal manufacturer for appropriate values of external components.

**3:** Rs may be required to avoid overdriving crystals with a low drive level specification.

**4:** Always verify oscillator performance over the VDD and temperature range that is expected for the application.

An internal postscaler allows users to select a clock frequency other than that of the crystal or resonator. Frequency division is determined by the CPDIV Configuration bits. Users may select a clock frequency of the oscillator frequency, or 1/2, 1/3 or 1/6 of the frequency.

# PIC18F46J50 FAMILY

## 3.2.3 EXTERNAL CLOCK INPUT

The EC and ECPLL Oscillator modes require an external clock source to be connected to the OSC1 pin. There is no oscillator start-up time required after a Power-on Reset (POR) or after an exit from Sleep mode.

In the EC Oscillator mode, the oscillator frequency divided by 4 is available on the OSC2 pin. In the ECPLL Oscillator mode, the PLL output divided by 4 is available on the OSC2 pin. This signal may be used for test purposes or to synchronize other logic. [Figure 3-3](#) displays the pin connections for the EC Oscillator mode.

**FIGURE 3-3: EXTERNAL CLOCK INPUT OPERATION (EC AND ECPLL CONFIGURATION)**



## 3.2.4 PLL FREQUENCY MULTIPLIER

PIC18F46J50 family devices include a PLL circuit. This is provided specifically for USB applications with lower speed oscillators and can also be used as a microcontroller clock source.

The PLL can be enabled in HSPLL, ECPLL, INTOSCPLL and INTOSCPLLO Oscillator modes by setting the PLEN bit (OSCTUNE<6>). It is designed to produce a fixed 96 MHz reference clock from a fixed 4 MHz input. The output can then be divided and used for both the USB and the microcontroller core clock. Because the PLL has a fixed frequency input and output, there are eight prescaling options to match the oscillator input frequency to the PLL. This prescaler allows the PLL to be used with crystals, resonators and external clocks, which are integer multiple frequencies of 4 MHz. For example, a 12 MHz crystal could be used in a Prescaler Divide-by-Three mode to drive the PLL.

There is also a CPU divider, which can be used to derive the microcontroller clock from the PLL. This allows the USB peripheral and microcontroller to use the same oscillator input and still operate at different clock speeds. The CPU divider can reduce the incoming frequency by a factor of 1, 2, 3 or 6.

## 3.2.5 INTERNAL OSCILLATOR BLOCK

The PIC18F46J50 family devices include an internal oscillator block which generates two different clock signals; either can be used as the microcontroller's clock source. The internal oscillator may eliminate the need for external oscillator circuits on the OSC1 and/or OSC2 pins.

The main output (INTOSC) is an 8 MHz clock source which can be used to directly drive the device clock. It also drives the INTOSC postscaler which can provide a range of clock frequencies from 31 kHz to 8 MHz. Additionally, the INTOSC may be used in conjunction with the PLL to generate clock frequencies up to 48 MHz.

The other clock source is the internal RC oscillator (INTRC) which provides a nominal 31 kHz output. INTRC is enabled if it is selected as the device clock source. It is also enabled automatically when any of the following are enabled:

- Power-up Timer
- Fail-Safe Clock Monitor
- Watchdog Timer
- Two-Speed Start-up

These features are discussed in larger detail in [Section 27.0 "Special Features of the CPU"](#).

The clock source frequency (INTOSC direct, INTRC direct or INTOSC postscaler) is selected by configuring the IRCF bits of the OSCCON register (Page 43).

## 3.2.5.1 OSCTUNE Register

The internal oscillator's output has been calibrated at the factory but can be adjusted in the user's application. This is done by writing to the OSCTUNE register (Register 3-1). The tuning sensitivity is constant throughout the tuning range.

When the OSCTUNE register is modified, the INTOSC frequency will begin shifting to the new frequency. Code execution continues during this shift. There is no indication that the shift has occurred.

The OSCTUNE register also contains the INTSRC bit. The INTSRC bit allows users to select which internal oscillator provides the clock source when the 31 kHz frequency option is selected. This is covered in larger detail in [Section 3.5.1 "Oscillator Control Register"](#).

The PLEN bit, contained in the OSCTUNE register, can be used to enable or disable the internal 96 MHz PLL when running in one of the PLL type oscillator modes (e.g., INTOSCPLL). Oscillator modes that do not contain "PLL" in their name cannot be used with the PLL. In these modes, the PLL is always disabled regardless of the setting of the PLEN bit.

When configured for one of the PLL enabled modes, setting the PLEN bit does not immediately switch the device clock to the PLL output. The PLL requires up to electrical parameter,  $t_{rc}$ , to start-up and lock, during which time, the device continues to be clocked. Once the PLL output is ready, the microcontroller core will automatically switch to the PLL derived frequency.

## 3.2.5.2 Internal Oscillator Output Frequency and Drift

The internal oscillator block is calibrated at the factory to produce an INTOSC output frequency of 8.0 MHz. However, this frequency may drift as  $V_{DD}$  or temperature changes, which can affect the controller operation in a variety of ways.

The low-frequency INTRC oscillator operates independently of the INTOSC source. Any changes in INTOSC across voltage and temperature are not necessarily reflected by changes in INTRC and vice versa.

## 3.2.5.3 Compensating for INTOSC Drift

It is possible to adjust the INTOSC frequency by modifying the value in the OSCTUNE register. This has no effect on the INTRC clock source frequency.

Tuning the INTOSC source requires knowing when to make the adjustment, in which direction it should be made and in some cases, how large a change is needed. When using the EUSART, for example, an adjustment may be required when it begins to generate framing errors or receives data with errors while in Asynchronous mode. Framing errors indicate that the device clock frequency is too high; to adjust for this, decrement the value in OSCTUNE to reduce the clock frequency. On the other hand, errors in data may suggest that the clock speed is too low; to compensate, increment OSCTUNE to increase the clock frequency.

It is also possible to verify device clock speed against a reference clock. Two timers may be used: one timer is clocked by the peripheral clock, while the other is clocked by a fixed reference source, such as the Timer1 oscillator. Both timers are cleared, but the timer clocked by the reference generates interrupts. When an interrupt occurs, the internally clocked timer is read and both timers are cleared. If the internally clocked timer value is greater than expected, then the internal oscillator block is running too fast. To adjust for this, decrement the OSCTUNE register.

Finally, an ECCP module can use free-running Timer1 (or Timer3), clocked by the internal oscillator block and an external event with a known period (i.e., AC power frequency). The time of the first event is captured in the CCPRxH:CCPRxL registers and is recorded for use later. When the second event causes a capture, the time of the first event is subtracted from the time of the second event. Since the period of the external event is known, the time difference between events can be calculated.

If the measured time is greater than the calculated time, the internal oscillator block is running too fast; to compensate, decrement the OSCTUNE register. If the measured time is less than the calculated time, the internal oscillator block is running too slow; to compensate, increment the OSCTUNE register.

# PIC18F46J50 FAMILY

**REGISTER 3-1: OSCTUNE: OSCILLATOR TUNING REGISTER (ACCESS F9Bh)**

|        |       |       |       |       |       |       |       |
|--------|-------|-------|-------|-------|-------|-------|-------|
| R/W-0  | R/W-0 | R/W-0 | R/W-0 | R/W-0 | R/W-0 | R/W-0 | R/W-0 |
| INTSRC | PLLEN | TUN5  | TUN4  | TUN3  | TUN2  | TUN1  | TUN0  |
| bit 7  |       |       |       |       |       |       | bit 0 |

**Legend:**

R = Readable bit                      W = Writable bit                      U = Unimplemented bit, read as '0'  
 -n = Value at POR                      '1' = Bit is set                      '0' = Bit is cleared                      x = Bit is unknown

bit 7                      **INTSRC:** Internal Oscillator Low-Frequency Source Select bit  
                                  1 = 31.25 kHz device clock derived from 8 MHz INTOSC source (divide-by-256 enabled)  
                                  0 = 31 kHz device clock derived directly from INTRC internal oscillator

bit 6                      **PLLEN:** Frequency Multiplier Enable bit  
                                  1 = 96 MHz PLL is enabled  
                                  0 = 96 MHz PLL is disabled

bit 5-0                      **TUN<5:0>:** Frequency Tuning bits  
                                  011111 = Maximum frequency  
                                  011110  
                                  •  
                                  •  
                                  •  
                                  000001  
                                  000000 = Center frequency; oscillator module is running at the calibrated frequency  
                                  111111  
                                  •  
                                  •  
                                  •  
                                  100000 = Minimum frequency

### 3.3 Oscillator Settings for USB

When the PIC18F46J50 family devices are used for USB connectivity, a 6 MHz or 48 MHz clock must be provided to the USB module for operation in either Low-Speed or Full-Speed modes, respectively. This may require some forethought in selecting an oscillator frequency and programming the device.

The full range of possible oscillator configurations compatible with USB operation is shown in [Table 3-5](#).

#### 3.3.1 LOW-SPEED OPERATION

The USB clock for Low-Speed mode is derived from the primary oscillator or from the 96 MHz PLL. In order to operate the USB module in Low-Speed mode, a 6 MHz clock must be provided to the USB module. Due to the way the clock dividers have been implemented in the

PIC18F46J50 family, the microcontroller core must run at 24 MHz in order for the USB module to get the 6 MHz clock needed for low-speed USB operation. Several clocking schemes could be used to meet these two required conditions. See [Table 3-4](#) and [Table 3-5](#) for possible combinations which can be used for low-speed USB operation.

**TABLE 3-4: CLOCK FOR LOW-SPEED USB**

| Clock Input | CPU Clock | CPDIV<1:0> | USB Clock    |
|-------------|-----------|------------|--------------|
| 48          | 24        | '10'       | 48/8 = 6 MHz |
| 24          | 24        | '11'       | 24/4 = 6 MHz |



# PIC18F46J50 FAMILY

**TABLE 3-5: OSCILLATOR CONFIGURATION OPTIONS FOR USB OPERATION**

| Input Oscillator Frequency | PLL Division (PLLDIV<2:0>) | Clock Mode (FOSC<2:0>)             | MCU Clock Division (CPDIV<1:0>) | Microcontroller Clock Frequency |
|----------------------------|----------------------------|------------------------------------|---------------------------------|---------------------------------|
| 48 MHz                     | N/A                        | EC                                 | None (11)                       | 48 MHz                          |
|                            |                            |                                    | <b>÷2 (10)</b>                  | <b>24 MHz</b>                   |
|                            |                            |                                    | ÷3 (01)                         | 16 MHz                          |
|                            |                            |                                    | ÷6 (00)                         | 8 MHz                           |
| 48 MHz                     | ÷12 (000)                  | ECPLL                              | None (11)                       | 48 MHz                          |
|                            |                            |                                    | <b>÷2 (10)</b>                  | <b>24 MHz</b>                   |
|                            |                            |                                    | ÷3 (01)                         | 16 MHz                          |
|                            |                            |                                    | ÷6 (00)                         | 8 MHz                           |
| 40 MHz                     | ÷10 (001)                  | ECPLL                              | None (11)                       | 48 MHz                          |
|                            |                            |                                    | <b>÷2 (10)</b>                  | <b>24 MHz</b>                   |
|                            |                            |                                    | ÷3 (01)                         | 16 MHz                          |
|                            |                            |                                    | ÷6 (00)                         | 8 MHz                           |
| 24 MHz                     | ÷6 (010)                   | ECPLL                              | None (11)                       | 48 MHz                          |
|                            |                            |                                    | <b>÷2 (10)</b>                  | <b>24 MHz</b>                   |
|                            |                            |                                    | ÷3 (01)                         | 16 MHz                          |
|                            |                            |                                    | ÷6 (00)                         | 8 MHz                           |
| 24 MHz                     | N/A                        | EC                                 | None (11)                       | <b>24 MHz</b>                   |
|                            |                            |                                    | ÷2 (10)                         | 12 MHz                          |
|                            |                            |                                    | ÷3 (01)                         | 8 MHz                           |
|                            |                            |                                    | ÷6 (00)                         | 4 MHz                           |
| 20 MHz                     | ÷5 (011)                   | ECPLL                              | None (11)                       | 48 MHz                          |
|                            |                            |                                    | <b>÷2 (10)</b>                  | <b>24 MHz</b>                   |
|                            |                            |                                    | ÷3 (01)                         | 16 MHz                          |
|                            |                            |                                    | ÷6 (00)                         | 8 MHz                           |
| 16 MHz                     | ÷4 (100)                   | HSPLL, ECPLL                       | None (11)                       | 48 MHz                          |
|                            |                            |                                    | <b>÷2 (10)</b>                  | <b>24 MHz</b>                   |
|                            |                            |                                    | ÷3 (01)                         | 16 MHz                          |
|                            |                            |                                    | ÷6 (00)                         | 8 MHz                           |
| 12 MHz                     | ÷3 (101)                   | HSPLL, ECPLL                       | None (11)                       | 48 MHz                          |
|                            |                            |                                    | <b>÷2 (10)</b>                  | <b>24 MHz</b>                   |
|                            |                            |                                    | ÷3 (01)                         | 16 MHz                          |
|                            |                            |                                    | ÷6 (00)                         | 8 MHz                           |
| 8 MHz                      | ÷2 (110)                   | HSPLL, ECPLL, INTOSCPLL/INTOSCPLLO | None (11)                       | 48 MHz                          |
|                            |                            |                                    | <b>÷2 (10)</b>                  | <b>24 MHz</b>                   |
|                            |                            |                                    | ÷3 (01)                         | 16 MHz                          |
|                            |                            |                                    | ÷6 (00)                         | 8 MHz                           |
| 4 MHz                      | ÷1 (111)                   | HSPLL, ECPLL                       | None (11)                       | 48 MHz                          |
|                            |                            |                                    | <b>÷2 (10)</b>                  | <b>24 MHz</b>                   |
|                            |                            |                                    | ÷3 (01)                         | 16 MHz                          |
|                            |                            |                                    | ÷6 (00)                         | 8 MHz                           |

**Legend:** All clock frequencies, except 24 MHz, are exclusively associated with full-speed USB operation (USB clock of 48 MHz). **Bold** text highlights the clock selections that are compatible with low-speed USB operation (system clock of 24 MHz, USB clock of 6 MHz).

# PIC18F46J50 FAMILY

---

## 3.4 USB From INTOSC

The 8 MHz INTOSC included in all PIC18F46J50 family devices is extremely accurate. When the 8 MHz INTOSC is used with the 96 MHz PLL, it may be used to derive the USB module clock. The high accuracy of the INTOSC will allow the application to meet low-speed USB signal rate specifications.

## 3.5 Clock Sources and Oscillator Switching

Like previous PIC18 enhanced devices, the PIC18F46J50 family includes a feature that allows the device clock source to be switched from the main oscillator to an alternate, low-frequency clock source. PIC18F46J50 family devices offer two alternate clock sources. When an alternate clock source is enabled, the various power-managed operating modes are available.

Essentially, there are three clock sources for these devices:

- Primary Oscillators
- Secondary Oscillators
- Internal Oscillator Block

The **Primary Oscillators** include the External Crystal and Resonator modes, the External Clock modes and the internal oscillator block. The particular mode is defined by the FOSC<2:0> Configuration bits. The details of these modes are covered earlier in this chapter.

The **Secondary Oscillators** are external sources that are not connected to the OSC1 or OSC2 pins. These sources may continue to operate even after the controller is placed in a power-managed mode.

PIC18F46J50 family devices offer the Timer1 oscillator as a secondary oscillator. This oscillator, in all power-managed modes, is often the time base for functions, such as a Real-Time Clock (RTC). Most often, a 32.768 kHz watch crystal is connected between the RC0/T1OSO/T1CKI/RP11 and RC1/T1OSI/UOE/RP12 pins. Like the HS Oscillator mode circuits, loading capacitors are also connected from each pin to ground. The Timer1 oscillator is discussed in larger detail in [Section 13.5 “Timer1 Oscillator”](#).

In addition to being a primary clock source, the **postscaled internal clock** is available as a power-managed mode clock source. The INTRC source is also used as the clock source for several special features, such as the WDT and Fail-Safe Clock Monitor (FSCM).

## 3.5.1 OSCILLATOR CONTROL REGISTER

The OSCCON register ([Register 3-2](#)) controls several aspects of the device clock's operation, both in full-power operation and in power-managed modes.

The System Clock Select bits, SCS<1:0>, select the clock source. The available clock sources are the primary clock (defined by the FOSC<2:0> Configuration bits), the secondary clock (Timer1 oscillator) and the postscaled internal clock. The clock source changes immediately, after one or more of the bits is written to, following a brief clock transition interval. The SCS bits are cleared on all forms of Reset.

The Internal Oscillator Frequency Select bits, IRCF<2:0>, select the frequency output provided on the postscaled internal clock line. The choices are the INTRC source, the INTOSC source (8 MHz) or one of the frequencies derived from the INTOSC postscaler (31 kHz to 4 MHz). If the postscaled internal clock is supplying the device clock, changing the states of these bits will have an immediate change on the internal oscillator's output. On device Resets, the default output frequency of the INTOSC postscaler is set at 4 MHz.

When an output frequency of 31 kHz is selected (IRCF<2:0> = 000), users may choose the internal oscillator, which acts as the source. This is done with the INTSRC bit in the OSCTUNE register (OSCTUNE<7>). Setting this bit selects INTOSC as a 31.25 kHz clock source by enabling the divide-by-256 output of the INTOSC postscaler. Clearing INTSRC selects INTRC (nominally 31 kHz) as the clock source.

This option allows users to select the tunable and more precise INTOSC as a clock source, while maintaining power savings with a very low clock speed. Regardless of the setting of INTSRC, INTRC always remains the clock source for features such as the WDT and the FSCM.

The OSTS and T1RUN bits indicate which clock source is currently providing the device clock. The OSTS bit indicates that the Oscillator Start-up Timer (OST) has timed out and the primary clock is providing the device clock in primary clock modes. The T1RUN bit (T1CON<6>) indicates when the Timer1 oscillator is providing the device clock in secondary clock modes. In power-managed modes, only one of these bits will be set at any time. If none of these bits are set, the INTRC is providing the clock or the internal oscillator block has just started and is not yet stable.

The IDLEN bit determines if the device goes into Sleep mode, or one of the Idle modes, when the SLEEP instruction is executed.

# PIC18F46J50 FAMILY

The use of the flag and control bits in the OSCCON register is discussed in more detail in **Section 4.0 “Low-Power Modes”**.

**Note 1:** The Timer1 crystal driver is enabled by setting the T1OSCEN bit in the Timer1 Control register (T1CON<3>). If the Timer1 oscillator is not enabled, then any attempt to select the Timer1 clock source will be ignored.

**2:** If Timer1 is driving a crystal, it is recommended that the Timer1 oscillator be operating and stable prior to switching to it as the clock source; otherwise, a very long delay may occur while the Timer1 oscillator starts.

## 3.5.2 OSCILLATOR TRANSITIONS

PIC18F46J50 family devices contain circuitry to prevent clock “glitches” when switching between clock sources. A short pause in the device clock occurs during the clock switch. The length of this pause is the sum of two cycles of the old clock source and three to four cycles of the new clock source. This formula assumes that the new clock source is stable.

Clock transitions are discussed in more detail in **Section 4.1.2 “Entering Power-Managed Modes”**.

### REGISTER 3-2: OSCCON: OSCILLATOR CONTROL REGISTER (ACCESS FD3h)

|       |       |       |       |                    |     |       |       |
|-------|-------|-------|-------|--------------------|-----|-------|-------|
| R/W-0 | R/W-1 | R/W-1 | R/W-0 | R-1 <sup>(1)</sup> | U-1 | R/W-0 | R/W-0 |
| IDLEN | IRCF2 | IRCF1 | IRCF0 | OSTS               | —   | SCS1  | SCS0  |
| bit 7 |       |       |       |                    |     | bit 0 |       |

#### Legend:

R = Readable bit                      W = Writable bit                      U = Unimplemented bit  
 -n = Value at POR                      '1' = Bit is set                      '0' = Bit is cleared                      x = Bit is unknown

- bit 7                      **IDLEN:** Idle Enable bit  
 1 = Device enters Idle mode on SLEEP instruction  
 0 = Device enters Sleep mode on SLEEP instruction
- bit 6-4                      **IRCF<2:0>:** Internal Oscillator Frequency Select bits  
 111 = 8 MHz (INTOSC drives clock directly)  
 110 = 4 MHz<sup>(2)</sup>  
 101 = 2 MHz  
 100 = 1 MHz  
 011 = 500 kHz  
 010 = 250 kHz  
 001 = 125 kHz  
 000 = 31 kHz (from either INTOSC/256 or INTRC directly)<sup>(3)</sup>
- bit 3                      **OSTS:** Oscillator Start-up Time-out Status bit<sup>(1)</sup>  
 1 = Oscillator Start-up Timer time-out has expired; primary oscillator is running  
 0 = Oscillator Start-up Timer time-out is running; primary oscillator is not ready
- bit 2                      **Unimplemented:** Read as '1'
- bit 1-0                      **SCS<1:0>:** System Clock Select bits  
 11 = Postscaled internal clock (INTRC/INTOSC derived)  
 10 = Reserved  
 01 = Timer1 oscillator<sup>(4)</sup>  
 00 = Primary clock source (INTOSC postscaler output when FOSC<2:0> = 001 or 000)  
 00 = Primary clock source (CPU divider output for other values of FOSC<2:0>)

- Note 1:** Reset value is '0' when Two-Speed Start-up is enabled and '1' if disabled.  
**2:** Default output frequency of INTOSC on Reset (4 MHz).  
**3:** Source selected by the INTSRC bit (OSCTUNE<7>).  
**4:** Application firmware should first enable the Timer1 oscillator crystal driver by setting the T1OSCEN bit.

# PIC18F46J50 FAMILY

## 3.6 Reference Clock Output

In addition to the peripheral clock/4 output in certain oscillator modes, the device clock in the PIC18F46J50 family can also be configured to provide a reference clock output signal to a port pin. This feature is available in all oscillator configurations and allows the user to select a greater range of clock submultiples to drive external devices in the application.

This reference clock output is controlled by the REFOCON register (Register 3-3). Setting the ROON bit (REFOCON<7>) makes the clock signal available on the REFO (RB2) pin. The RODIV<3:0> bits enable the selection of 16 different clock divider options.

The ROSSLP and ROSEL bits (REFOCON<5:4>) control the availability of the reference output during Sleep mode. The ROSEL bit determines if the oscillator is on OSC1 and OSC2, or the current system clock source is used for the reference clock output. The ROSSLP bit determines if the reference source is available on RB2 when the device is in Sleep mode.

To use the reference clock output in Sleep mode, both the ROSSLP and ROSEL bits must be set. The device clock must also be configured for an EC or HS mode; otherwise, the oscillator on OSC1 and OSC2 will be powered down when the device enters Sleep mode. Clearing the ROSEL bit allows the reference output frequency to change as the system clock changes during any clock switches.

**REGISTER 3-3: REFOCON: REFERENCE OSCILLATOR CONTROL REGISTER (BANKED F3Dh)**

|       |     |        |       |        |        |        |        |
|-------|-----|--------|-------|--------|--------|--------|--------|
| R/W-0 | U-0 | R/W-0  | R/W-0 | R/W-0  | R/W-0  | R/W-0  | R/W-0  |
| ROON  | —   | ROSSLP | ROSEL | RODIV3 | RODIV2 | RODIV1 | RODIV0 |
| bit 7 |     |        |       |        |        |        | bit 0  |

**Legend:**

|                   |                  |                                    |
|-------------------|------------------|------------------------------------|
| R = Readable bit  | W = Writable bit | U = Unimplemented bit, read as '0' |
| -n = Value at POR | '1' = Bit is set | '0' = Bit is cleared               |
|                   |                  | x = Bit is unknown                 |

- bit 7      **ROON:** Reference Oscillator Output Enable bit  
1 = Reference oscillator is enabled on REFO pin  
0 = Reference oscillator is disabled
- bit 6      **Unimplemented:** Read as '0'
- bit 5      **ROSSLP:** Reference Oscillator Output Stop in Sleep bit  
1 = Reference oscillator continues to run in Sleep  
0 = Reference oscillator is disabled in Sleep
- bit 4      **ROSEL:** Reference Oscillator Source Select bit  
1 = Primary oscillator crystal/resonator is used as the base clock<sup>(1)</sup>  
0 = System clock (Fosc) is used as the base clock; base clock reflects any clock switching of the device
- bit 3-0    **RODIV<3:0>:** Reference Oscillator Divisor Select bits  
1111 = Base clock value divided by 32,768  
1110 = Base clock value divided by 16,384  
1101 = Base clock value divided by 8,192  
1100 = Base clock value divided by 4,096  
1011 = Base clock value divided by 2,048  
1010 = Base clock value divided by 1,024  
1001 = Base clock value divided by 512  
1000 = Base clock value divided by 256  
0111 = Base clock value divided by 128  
0110 = Base clock value divided by 64  
0101 = Base clock value divided by 32  
0100 = Base clock value divided by 16  
0011 = Base clock value divided by 8  
0010 = Base clock value divided by 4  
0001 = Base clock value divided by 2  
0000 = Base clock value

**Note 1:** The crystal oscillator must be enabled using the FOSC<2:0> bits. The crystal maintains the operation in Sleep mode.

## 3.7 Effects of Power-Managed Modes on Various Clock Sources

When the PRI\_IDLE mode is selected, the designated primary oscillator continues to run without interruption. For all other power-managed modes, the oscillator using the OSC1 pin is disabled. Unless the USB module is enabled, the OSC1 pin (and OSC2 pin if used by the oscillator) will stop oscillating.

In secondary clock modes (SEC\_RUN and SEC\_IDLE), the Timer1 oscillator is operating and providing the device clock. The Timer1 oscillator may also run in all power-managed modes if required to clock Timer1 or Timer3.

In internal oscillator modes (RC\_RUN and RC\_IDLE), the internal oscillator block provides the device clock source. The 31 kHz INTRC output can be used directly to provide the clock and may be enabled to support various special features regardless of the power-managed mode (see [Section 27.2 “Watchdog Timer \(WDT\)”](#), [Section 27.4 “Two-Speed Start-up”](#) and [Section 27.5 “Fail-Safe Clock Monitor”](#) for more information on WDT, FSCM and Two-Speed Start-up). The INTOSC output at 8 MHz may be used directly to clock the device or may be divided down by the post-scaler. The INTOSC output is disabled if the clock is provided directly from the INTRC output.

If Sleep mode is selected, all clock sources which are no longer required are stopped. Since all the transistor switching currents have been stopped, Sleep mode achieves the lowest current consumption of the device (only leakage currents) outside of Deep Sleep.

Sleep mode should not be invoked while the USB module is enabled and operating in Full-Power mode. Before Sleep mode is selected, the USB module should be put in the suspend state. This is accomplished by setting the SUSPND bit in the UCON register.

Enabling any on-chip feature that will operate during Sleep mode increases the current consumed during Sleep mode. The INTRC is required to support WDT operation. The Timer1 oscillator may be operating to support a RTC. Other features may be operating that do not require a device clock source (i.e., MSSP slave, PMP, INTx pins, etc.). Peripherals that may add significant current consumption are listed in [Section 30.2 “DC Characteristics: Power-Down and Supply Current PIC18F46J50 Family \(Industrial\)”](#).

## 3.8 Power-up Delays

Power-up delays are controlled by two timers so that no external Reset circuitry is required for most applications. The delays ensure that the device is kept in Reset until the device power supply is stable under normal circumstances and the primary clock is operating and stable. For additional information on power-up delays, see [Section 5.6 “Power-up Timer \(PWRT\)”](#).

The first timer is the Power-up Timer (PWRT), which provides a fixed delay on power-up (Parameter [33](#), [Table 30-14](#)).

The second timer is the Oscillator Start-up Timer (OST), intended to keep the chip in Reset until the crystal oscillator is stable (HS mode). The OST does this by counting 1024 oscillator cycles before allowing the oscillator to clock the device.

There is a delay of interval, TcSD (Parameter [38](#), [Table 30-14](#)), following POR, while the controller becomes ready to execute instructions. This delay runs concurrently with any other delays. This may be the only delay that occurs when any of the internal oscillator or EC modes are used as the primary clock source.

# PIC18F46J50 FAMILY

---

NOTES:

## 4.0 LOW-POWER MODES

The PIC18F46J50 family devices can manage power consumption through clocking to the CPU and the peripherals. In general, reducing the clock frequency and number of circuits being clocked reduce power consumption.

For managing power in an application, the primary modes of operation are:

- Run Mode
- Idle Mode
- Sleep Mode
- Deep Sleep Mode

Additionally, there is an Ultra Low-Power Wake-up (ULPWU) mode for generating an interrupt-on-change on RA0.

These modes define which portions of the device are clocked and at what speed.

- The Run and Idle modes can use any of the three available clock sources (primary, secondary or internal oscillator blocks).
- The Sleep mode does not use a clock source.

The ULPWU mode on RA0 allows a slow falling voltage to generate an interrupt-on-change on RA0 without excess current consumption. See [Section 4.7 “Ultra Low-Power Wake-up”](#).

The power-managed modes include several power-saving features offered on previous PIC<sup>®</sup> devices, such as clock switching, ULPWU and Sleep mode. In addition, the PIC18F46J50 family devices add a new power-managed Deep Sleep mode.

### 4.1 Selecting Power-Managed Modes

Selecting a power-managed mode requires these decisions:

- Will the CPU be clocked?
- If so, which clock source will be used?

The IDLEN bit (OSCCON<7>) controls CPU clocking and the SCS<1:0> bits (OSCCON<1:0>) select the clock source. The individual modes, bit settings, clock sources and affected modules are summarized in [Table 4-1](#).

#### 4.1.1 CLOCK SOURCES

The SCS<1:0> bits allow the selection of one of three clock sources for power-managed modes. They are:

- Primary clock source – Defined by the FOSC<2:0> Configuration bits
- Timer1 clock – Provided by the secondary oscillator
- Postscaled internal clock – Derived from the internal oscillator block

#### 4.1.2 ENTERING POWER-MANAGED MODES

Switching from one clock source to another begins by loading the OSCCON register. The SCS<1:0> bits select the clock source.

Changing these bits causes an immediate switch to the new clock source, assuming that it is running. The switch also may be subject to clock transition delays. These delays are discussed in [Section 4.1.3 “Clock Transitions and Status Indicators”](#) and subsequent sections.

Entry to the power-managed Idle or Sleep modes is triggered by the execution of a SLEEP instruction. The actual mode that results depends on the status of the IDLEN bit.

Depending on the current mode and the mode being switched to, a change to a power-managed mode does not always require setting all of these bits. Many transitions may be done by changing the oscillator select bits, the IDLEN bit, or the DSEN bit prior to issuing a SLEEP instruction.

If the IDLEN and DSEN bits are already configured correctly, it only may be necessary to perform a SLEEP instruction to switch to the desired mode.

# PIC18F46J50 FAMILY

**TABLE 4-1: LOW-POWER MODES**

| Mode       | DSCONH<7>           | OSCCON<7,1:0>        |          | Module Clocking    |             | Available Clock and Oscillator Source  |
|------------|---------------------|----------------------|----------|--------------------|-------------|--|
|            | DSEN <sup>(1)</sup> | IDLEN <sup>(1)</sup> | SCS<1:0> | CPU                | Peripherals |  |
| Sleep      | 0                   | 0                    | N/A      | Off                | Off         | Timer1 oscillator and/or RTCC may optionally be enabled                            |
| Deep Sleep | 1                   | 0                    | N/A      | Off <sup>(2)</sup> | Off         | RTCC can run uninterrupted using the Timer1 or internal low-power RC oscillator    |
| PRI_RUN    | 0                   | N/A                  | 00       | Clocked            | Clocked     | The normal, full-power execution mode; primary clock source (defined by FOSC<2:0>) |
| SEC_RUN    | 0                   | N/A                  | 01       | Clocked            | Clocked     | Secondary – Timer1 oscillator  |
| RC_RUN     | 0                   | N/A                  | 11       | Clocked            | Clocked     | Postscaled internal clock  |
| PRI_IDLE   | 0                   | 1                    | 00       | Off                | Clocked     | Primary clock source (defined by FOSC<2:0>)  |
| SEC_IDLE   | 0                   | 1                    | 01       | Off                | Clocked     | Secondary – Timer1 oscillator  |
| RC_IDLE    | 0                   | 1                    | 11       | Off                | Clocked     | Postscaled internal clock  |

- Note 1:** IDLEN and DSEN reflect their values when the SLEEP instruction is executed.  
**Note 2:** Deep Sleep turns off the voltage regulator for ultra low-power consumption. See [Section 4.6 “Deep Sleep Mode”](#) for more information.

### 4.1.3 CLOCK TRANSITIONS AND STATUS INDICATORS

The length of the transition between clock sources is the sum of two cycles of the old clock source and three to four cycles of the new clock source. This formula assumes that the new clock source is stable.

Two bits indicate the current clock source and its status: OSTS (OSCCON<3>) and T1RUN (T1CON<6>). In general, only one of these bits will be set in a given power-managed mode. When the OSTS bit is set, the primary clock would be providing the device clock. When the T1RUN bit is set, the Timer1 oscillator would be providing the clock. If neither of these bits is set, INTRC would be clocking the device.

**Note:** Executing a SLEEP instruction does not necessarily place the device into Sleep mode. It acts as the trigger to place the controller into either the Sleep or Deep Sleep mode, or one of the Idle modes, depending on the setting of the IDLEN bit.

### 4.1.4 MULTIPLE SLEEP COMMANDS

The power-managed mode that is invoked with the SLEEP instruction is determined by the setting of the IDLEN and DSEN bits at the time the instruction is executed. If another SLEEP instruction is executed, the device will enter the power-managed mode specified by IDLEN and DSEN at that time. If IDLEN or DSEN have changed, the device will enter the new power-managed mode specified by the new setting.

## 4.2 Run Modes

In the Run modes, clocks to both the core and peripherals are active. The difference between these modes is the clock source.

### 4.2.1 PRI\_RUN MODE

The PRI\_RUN mode is the normal, full-power execution mode of the microcontroller. This is also the default mode upon a device Reset unless Two-Speed Start-up is enabled (see [Section 27.4 “Two-Speed Start-up”](#) for details). In this mode, the OSTS bit is set (see [Section 3.5.1 “Oscillator Control Register”](#)).

### 4.2.2 SEC\_RUN MODE

The SEC\_RUN mode is the compatible mode to the “clock switching” feature offered in other PIC18 devices. In this mode, the CPU and peripherals are clocked from the Timer1 oscillator. This gives users the option of low-power consumption while still using a high-accuracy clock source.

SEC\_RUN mode is entered by setting the SCS<1:0> bits to ‘01’. The device clock source is switched to the Timer1 oscillator (see [Figure 4-1](#)), the primary oscillator is shut down, the T1RUN bit (T1CON<6>) is set and the OSTS bit is cleared.

**Note:** The Timer1 oscillator should already be running prior to entering SEC\_RUN mode. If the T1OSCEN bit is not set when the SCS<1:0> bits are set to ‘01’, entry to SEC\_RUN mode will not occur. If the Timer1 oscillator is enabled, but not yet running, device clocks will be delayed until the oscillator has started. In such situations, initial oscillator operation is far from stable and unpredictable operation may result.



# PIC18F46J50 FAMILY

On transitions from SEC\_RUN mode to PRI\_RUN mode, the peripherals and CPU continue to be clocked from the Timer1 oscillator while the primary clock is started. When the primary clock becomes ready, a clock switch back to the primary clock occurs (see

Figure 4-2). When the clock switch is complete, the T1RUN bit is cleared, the OSTS bit is set and the primary clock would be providing the clock. The IDLEN and SCS bits are not affected by the wake-up; the Timer1 oscillator continues to run.

**FIGURE 4-1: TRANSITION TIMING FOR ENTRY TO SEC\_RUN MODE**



**FIGURE 4-2: TRANSITION TIMING FROM SEC\_RUN MODE TO PRI\_RUN MODE (HSPLL)**



# PIC18F46J50 FAMILY

## 4.2.3 RC\_RUN MODE

In RC\_RUN mode, the CPU and peripherals are clocked from the internal oscillator; the primary clock is shut down. This mode provides the best power conservation of all the Run modes while still executing code. It works well for user applications, which are not highly timing-sensitive or do not require high-speed clocks at all times.

This mode is entered by setting the SCS<1:0> bits (OSCCON<1:0>) to '11'. When the clock source is switched to the internal oscillator block (see Figure 4-3), the primary oscillator is shutdown and the OSTS bit is cleared.

On transitions from RC\_RUN mode to PRI\_RUN mode, the device continues to be clocked from the INTOSC block while the primary clock is started. When the primary clock becomes ready, a clock switch to the primary clock occurs (see Figure 4-4). When the clock switch is complete, the OSTS bit is set and the primary clock is providing the device clock. The IDLEN and SCS bits are not affected by the switch. The INTRC clock source will continue to run if either the WDT or the FSCM is enabled.

**FIGURE 4-3: TRANSITION TIMING TO RC\_RUN MODE**



**FIGURE 4-4: TRANSITION TIMING FROM RC\_RUN MODE TO PRI\_RUN MODE**



**Note 1:** TOST = 1024 TOSC; TPLL = 2 ms (approx). These intervals are not shown to scale.

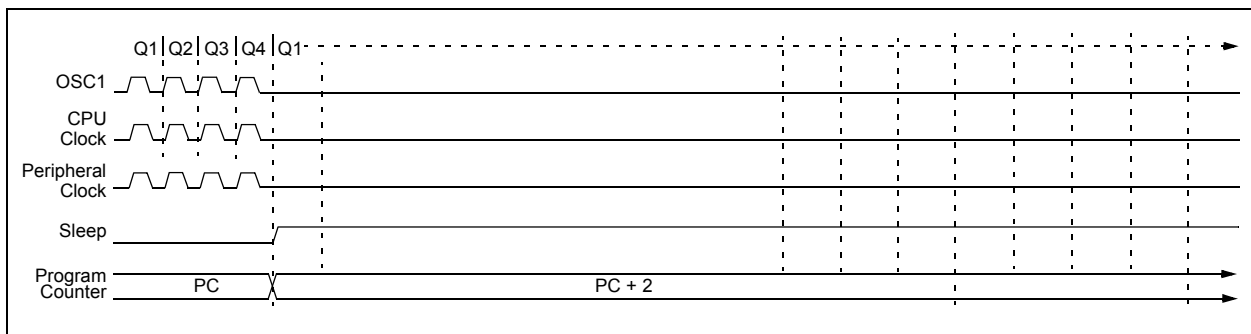
## 4.3 Sleep Mode

The power-managed Sleep mode is identical to the legacy Sleep mode offered in all other PIC devices. It is entered by clearing the IDLEN bit (the default state on device Reset) and executing the `SLEEP` instruction. This shuts down the selected oscillator (Figure 4-5). All clock source status bits are cleared.

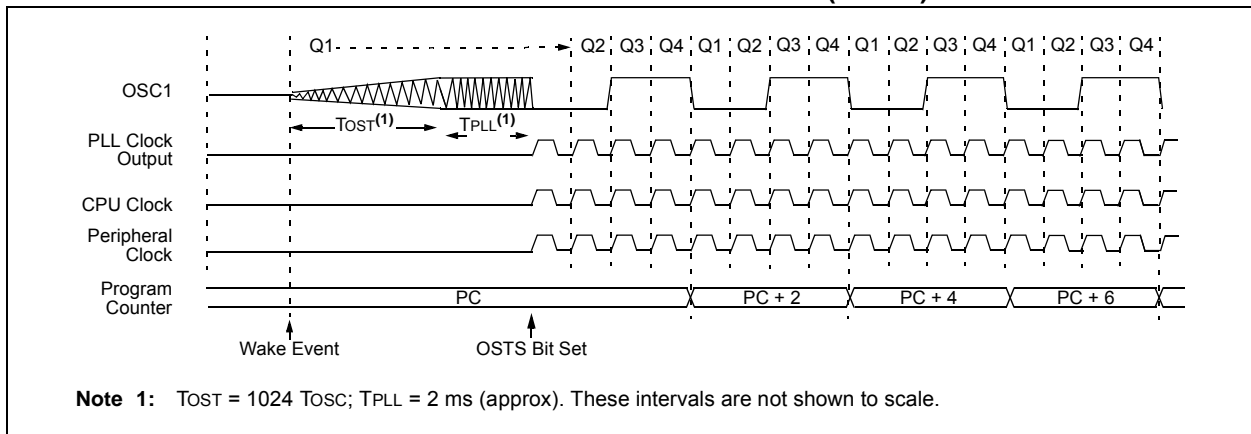
Entering the Sleep mode from any other mode does not require a clock switch. This is because no clocks are needed once the controller has entered Sleep mode. If the WDT is selected, the INTRC source will continue to operate. If the Timer1 oscillator is enabled, it will also continue to run.

When a wake event occurs in Sleep mode (by interrupt, Reset or WDT time-out), the device will not be clocked until the clock source selected by the `SCS<1:0>` bits becomes ready (see Figure 4-6), or it will be clocked from the internal oscillator if either the Two-Speed Start-up or the FSCM are enabled (see Section 27.0 “Special Features of the CPU”). In either case, the OSTS bit is set when the primary clock is providing the device clocks. The IDLEN and SCS bits are not affected by the wake-up.

**FIGURE 4-5: TRANSITION TIMING FOR ENTRY TO SLEEP MODE**



**FIGURE 4-6: TRANSITION TIMING FOR WAKE FROM SLEEP (HSPLL)**



**Note 1:**  $T_{OST} = 1024 T_{OSC}$ ;  $T_{PLL} = 2$  ms (approx). These intervals are not shown to scale.

# PIC18F46J50 FAMILY

## 4.4 Idle Modes

The Idle modes allow the controller's CPU to be selectively shut down while the peripherals continue to operate. Selecting a particular Idle mode allows users to further manage power consumption.

If the IDLEN bit is set to '1' when a `SLEEP` instruction is executed, the peripherals will be clocked from the clock source selected using the `SCS<1:0>` bits; however, the CPU will not be clocked. The clock source status bits are not affected. Setting IDLEN and executing a `SLEEP` instruction provides a quick method of switching from a given Run mode to its corresponding Idle mode.

If the WDT is selected, the INTRC source will continue to operate. If the Timer1 oscillator is enabled, it will also continue to run.

Since the CPU is not executing instructions, the only exits from any of the Idle modes are by interrupt, WDT time-out or a Reset. When the CPU begins executing code, it resumes with the same clock source for the current Idle mode. For example, when waking from `RC_IDLE` mode, the internal oscillator block will clock the CPU and peripherals (in other words, `RC_RUN` mode). The IDLEN and `SCS` bits are not affected by the wake-up.

While in any Idle or Sleep mode, a WDT time-out will result in a WDT wake-up to the Run mode currently specified by the `SCS<1:0>` bits.

### 4.4.1 PRI\_IDLE MODE

This mode is unique among the three low-power Idle modes, in that it does not disable the primary device clock. For timing-sensitive applications, this allows for the fastest resumption of device operation with its more accurate primary clock source, since the clock source does not have to "warm up" or transition from another oscillator.

`PRI_IDLE` mode is entered from `PRI_RUN` mode by setting the IDLEN bit and executing a `SLEEP` instruction. If the device is in another Run mode, set IDLEN

first, then set the `SCS` bits to '00' and execute `SLEEP`. Although the CPU is disabled, the peripherals continue to be clocked from the primary clock source specified by the `FOSC<1:0>` Configuration bits. The `OSTS` bit remains set (see [Figure 4-7](#)).

When a wake event occurs, the CPU is clocked from the primary clock source. After the wake-up, the `OSTS` bit remains set. The IDLEN and `SCS` bits are not affected by the wake-up (see [Figure 4-8](#)).

### 4.4.2 SEC\_IDLE MODE

In `SEC_IDLE` mode, the CPU is disabled but the peripherals continue to be clocked from the Timer1 oscillator. This mode is entered from `SEC_RUN` by setting the IDLEN bit and executing a `SLEEP` instruction. If the device is in another Run mode, set IDLEN first, then set `SCS<1:0>` to '01' and execute `SLEEP`. When the clock source is switched to the Timer1 oscillator, the primary oscillator is shut down (unless some other peripheral is still requesting it), the `OSTS` bit is cleared and the `T1RUN` bit is set.

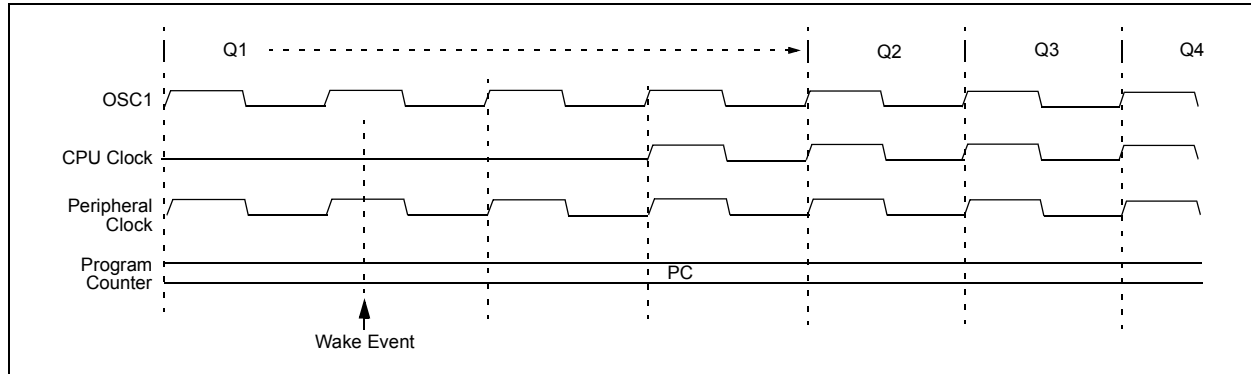
When a wake event occurs, the peripherals continue to be clocked from the Timer1 oscillator. After a wake event, the CPU begins executing code being clocked by the Timer1 oscillator. The IDLEN and `SCS` bits are not affected by the wake-up; the Timer1 oscillator continues to run (see [Figure 4-8](#)).

**Note:** The Timer1 oscillator should already be running prior to entering `SEC_IDLE` mode. If the `T1OSCCEN` bit is not set when the `SLEEP` instruction is executed, the `SLEEP` instruction will be ignored and entry to `SEC_IDLE` mode will not occur. If the Timer1 oscillator is enabled, but not yet running, peripheral clocks will be delayed until the oscillator has started. In such situations, initial oscillator operation is far from stable and unpredictable operation may result.

FIGURE 4-7: TRANSITION TIMING FOR ENTRY TO IDLE MODE



**FIGURE 4-8: TRANSITION TIMING FOR WAKE FROM IDLE TO RUN MODE**



### 4.4.3 RC\_IDLE MODE

In RC\_IDLE mode, the CPU is disabled but the peripherals continue to be clocked from the internal oscillator block. This mode allows for controllable power conservation during Idle periods.

From RC\_RUN, this mode is entered by setting the IDLEN bit and executing a SLEEP instruction. If the device is in another Run mode, first set IDLEN, then clear the SCS bits and execute SLEEP. When the clock source is switched to the INTOSC block, the primary oscillator is shutdown and the OSTS bit is cleared.

When a wake event occurs, the peripherals continue to be clocked from the internal oscillator block. After a wake event, the CPU begins executing code being clocked by the INTRC. The IDLEN and SCS bits are not affected by the wake-up. The INTRC source will continue to run if either the WDT or the FSCM is enabled.

## 4.5 Exiting Idle and Sleep Modes

An exit from Sleep mode, or any of the Idle modes, is triggered by an interrupt, a Reset or a WDT time-out. This section discusses the triggers that cause exits from power-managed modes. The clocking subsystem actions are discussed in each of the power-managed modes sections (see [Section 4.2 “Run Modes”](#), [Section 4.3 “Sleep Mode”](#) and [Section 4.4 “Idle Modes”](#)).

### 4.5.1 EXIT BY INTERRUPT

Any of the available interrupt sources can cause the device to exit from an Idle mode, or the Sleep mode, to a Run mode. To enable this functionality, an interrupt source must be enabled by setting its enable bit in one of the INTCON or PIE registers. The exit sequence is initiated when the corresponding interrupt flag bit is set.

On all exits from Idle or Sleep modes by interrupt, code execution branches to the interrupt vector if the GIE/GIEH bit (INTCON<7>) is set. Otherwise, code execution continues or resumes without branching (see [Section 9.0 “Interrupts”](#)).

### 4.5.2 EXIT BY WDT TIME-OUT

A WDT time-out will cause different actions depending on which power-managed mode the device is, when the time-out occurs.

If the device is not executing code (all Idle modes and Sleep mode), the time-out will result in an exit from the power-managed mode (see [Section 4.2 “Run Modes”](#) and [Section 4.3 “Sleep Mode”](#)). If the device is executing code (all Run modes), the time-out will result in a WDT Reset (see [Section 27.2 “Watchdog Timer \(WDT\)”](#)).

The WDT and postscaler are cleared by one of the following events:

- Executing a SLEEP or CLRWDT instruction
- The loss of a currently selected clock source (if the FSCM is enabled)

### 4.5.3 EXIT BY RESET

Exiting an Idle or Sleep mode by Reset automatically forces the device to run from the INTRC.

# PIC18F46J50 FAMILY

## 4.5.4 EXIT WITHOUT AN OSCILLATOR START-UP DELAY

Certain exits from power-managed modes do not invoke the OST at all. There are two cases:

- PRI\_IDLE mode (where the primary clock source is not stopped) and the primary clock source is the EC mode
- PRI\_IDLE mode and the primary clock source is the ECPLL mode

In these instances, the primary clock source either does not require an oscillator start-up delay, since it is already running (PRI\_IDLE), or normally does not require an oscillator start-up delay (EC).

## 4.6 Deep Sleep Mode

Deep Sleep mode brings the device into its lowest power consumption state without requiring the use of external switches to remove power from the device. During Deep Sleep, the on-chip VDDCORE voltage regulator is powered down, effectively disconnecting power to the core logic of the microcontroller.

**Note:** Since Deep Sleep mode powers down the microcontroller by turning off the on-chip VDDCORE voltage regulator, Deep Sleep capability is available only on PIC18FXXJ members in the device family. The on-chip voltage regulator is not available on PIC18LFXXJ members of the device family, and therefore, they do not support Deep Sleep.

On devices that support it, the Deep Sleep mode is entered by:

- Setting the REGSLP (WDTCON<7>) bit
- Clearing the IDLEN bit
- Clearing the GIE bit
- Setting the DSEN bit (DSCONH<7>)
- Executing the SLEEP instruction immediately after setting DSEN (no delay or interrupts in between)

In order to minimize the possibility of inadvertently entering Deep Sleep, the DSEN bit is cleared in hardware, two instruction cycles after having been set. Therefore, in order to enter Deep Sleep, the SLEEP instruction must be executed in the immediate instruction cycle after setting DSEN. If DSEN is not set when Sleep is executed, the device will enter conventional Sleep mode instead.

During Deep Sleep, the core logic circuitry of the microcontroller is powered down to reduce leakage current. Therefore, most peripherals and functions of the microcontroller become unavailable during Deep Sleep. However, a few specific peripherals and functions are powered directly from the VDD supply rail of the microcontroller, and therefore, can continue to function in Deep Sleep.

Entering Deep Sleep mode clears the DSWAKEL register. However, if the Real-Time Clock and Calendar (RTCC) is enabled prior to entering Deep Sleep, it will continue to operate uninterrupted.

The device has a dedicated Brown-out Reset (DSBOR) and Watchdog Timer Reset (DSWDT) for monitoring voltage and time-out events in Deep Sleep. The DSBOR and DSWDT are independent of the standard BOR and WDT used with other power-managed modes (Run, Idle and Sleep).

When a wake event occurs in Deep Sleep mode (by MCLR Reset, RTCC alarm, INT0 interrupt, ULPWU or DSWDT), the device will exit Deep Sleep mode and perform a Power-on Reset (POR). When the device is released from Reset, code execution will resume at the device's Reset vector.

### 4.6.1 PREPARING FOR DEEP SLEEP

Because VDDCORE could fall below the SRAM retention voltage while in Deep Sleep mode, SRAM data could be lost in Deep Sleep. Exiting Deep Sleep mode causes a POR; as a result, most Special Function Registers (SFRs) will reset to their default POR values.

Applications needing to save a small amount of data throughout a Deep Sleep cycle can save the data to the general purpose DSGPR0 and DSGPR1 registers. The contents of these registers are preserved while the device is in Deep Sleep, and will remain valid throughout an entire Deep Sleep entry and wake-up sequence.

## 4.6.2 I/O PINS DURING DEEP SLEEP

During Deep Sleep, the general purpose I/O pins will retain their previous states.

Pins that are configured as inputs (TRIS bit set) prior to entry into Deep Sleep will remain high impedance during Deep Sleep.

Pins that are configured as outputs (TRIS bit clear) prior to entry into Deep Sleep will remain as output pins during Deep Sleep. While in this mode, they will drive the output level determined by their corresponding LAT bit at the time of entry into Deep Sleep.

When the device wakes back up, the I/O pin behavior depends on the type of wake up source.

If the device wakes back up by an RTCC alarm, INTO interrupt, DSWDT or ULPWU event, all I/O pins will continue to maintain their previous states, even after the device has finished the POR sequence and is executing application code again. Pins configured as inputs during Deep Sleep will remain high impedance, and pins configured as outputs will continue to drive their previous value.

After waking up, the TRIS and LAT registers will be reset, but the I/O pins will still maintain their previous states. If firmware modifies the TRIS and LAT values for the I/O pins, they will not immediately go to the newly configured states. Once the firmware clears the RELEASE bit (DSCONL<0>), the I/O pins will be “released”. This causes the I/O pins to take the states configured by their respective TRIS and LAT bit values.

If the Deep Sleep BOR (DSBOR) circuit is enabled, and VDD drops below the DSBOR and VDD rail POR thresholds, the I/O pins will be immediately released similar to clearing the RELEASE bit. All previous state information will be lost, including the general purpose DSGPR0 and DSGPR1 contents. See [Section 4.6.5 “Deep Sleep Brown-Out Reset \(DSBOR\)”](#) for additional details regarding this scenario

If a MCLR Reset event occurs during Deep Sleep, the I/O pins will also be released automatically, but in this case, the DSGPR0 and DSGPR1 contents will remain valid.

In all other Deep Sleep wake-up cases, application firmware needs to clear the RELEASE bit in order to reconfigure the I/O pins.

## 4.6.3 DEEP SLEEP WAKE-UP SOURCES

The device can be awakened from Deep Sleep mode by a MCLR, POR, RTCC, INTO I/O pin interrupt, DSWDT or ULPWU event. After waking, the device performs a POR. When the device is released from Reset, code execution will begin at the device’s Reset vector.

The software can determine if the wake-up was caused from an exit from Deep Sleep mode by reading the DS bit (WDTCN<3>). If this bit is set, the POR was caused by a Deep Sleep exit. The DS bit must be manually cleared by the software.

The software can determine the wake event source by reading the DSWAKEH and DSWAKEL registers. When the application firmware is done using the DSWAKEH and DSWAKEL status registers, individual bits do not need to be manually cleared before entering Deep Sleep again. When entering Deep Sleep mode, these registers are automatically cleared.

### 4.6.3.1 Wake-up Event Considerations

Deep Sleep wake-up events are only monitored while the processor is fully in Deep Sleep mode. If a wake-up event occurs before Deep Sleep mode is entered, the event status will not be reflected in the DSWAKE registers. If the wake-up source asserts prior to entering Deep Sleep, the CPU will either go to the interrupt vector (if the wake source has an interrupt bit and the interrupt is fully enabled) or will abort the Deep Sleep entry sequence by executing past the SLEEP instruction if the interrupt was not enabled. In this case, a wake-up event handler should be placed after the SLEEP instruction to process the event and re-attempt entry into Deep Sleep, if desired.

When the device is in Deep Sleep with more than one wake-up source simultaneously enabled, only the first wake-up source to assert will be detected and logged in the DSWAKEH/DSWAKEL status registers.

## 4.6.4 DEEP SLEEP WATCHDOG TIMER (DSWDT)

Deep Sleep has its own dedicated WDT (DSWDT) with a postscaler for time-outs of 2.1 ms to 25.7 days, configurable through the bits, DSWDTPS<3:0>.

The DSWDT can be clocked from either the INTRC or the T1OSC/T1CKI input. If the T1OSC/T1CKI source will be used with a crystal, the T1OSCEN bit in the T1CON register needs to be set prior to entering Deep Sleep. The reference clock source is configured through the DSWDTOSC bit.

DSWDT is enabled through the DSWDTEN bit. Entering Deep Sleep mode automatically clears the DSWDT. See [Section 27.0 “Special Features of the CPU”](#) for more information.

# PIC18F46J50 FAMILY

## 4.6.5 DEEP SLEEP BROWN-OUT RESET (DSBOR)

The Deep Sleep module contains a dedicated Deep Sleep BOR (DSBOR) circuit. This circuit may be optionally enabled through the DSBORREN Configuration bit.

The DSBOR circuit monitors the VDD supply rail voltage. The behavior of the DSBOR circuit is described in **Section 5.4 “Brown-out Reset (BOR)”**.

## 4.6.6 RTCC PERIPHERAL AND DEEP SLEEP

The RTCC can operate uninterrupted during Deep Sleep mode. It can wake the device from Deep Sleep by configuring an alarm.

The RTCC clock source is configured with the RTCOSC bit (CONFIG3L<1>). The available reference clock sources are the INTRC and T1OSC/T1CKI. If the INTRC is used, the RTCC accuracy will directly depend on the INTRC tolerance. For more information on configuring the RTCC peripheral, see **Section 17.0 “Real-Time Clock and Calendar (RTCC)”**.

## 4.6.7 TYPICAL DEEP SLEEP SEQUENCE

This section gives the typical sequence for using the Deep Sleep mode. Optional steps are indicated, and additional information is given in notes at the end of the procedure.

1. Enable DSWDT (optional).<sup>(1)</sup>
2. Configure DSWDT clock source (optional).<sup>(2)</sup>
3. Enable DSBOR (optional).<sup>(1)</sup>
4. Enable RTCC (optional).<sup>(3)</sup>
5. Configure the RTCC peripheral (optional).<sup>(3)</sup>
6. Configure the ULPWU peripheral (optional).<sup>(4)</sup>
7. Enable the INTO Interrupt (optional).
8. Context save SRAM data by writing to the DSGPR0 and DSGPR1 registers (optional).
9. Set the REGSLP bit (WDTCON<7>) and clear the IDLEN bit (OSCCON<7>).
10. If using an RTCC alarm for wake-up, wait until the RTCSYNC bit (RTCCFG<4>) is clear.
11. Enter Deep Sleep mode by setting the DSEN bit (DSCONH<7>) and issuing a SLEEP instruction. These two instructions must be executed back-to-back.
12. Once a wake-up event occurs, the device will perform a Power-on Reset sequence. Code execution resumes at the device's Reset vector.
13. Determine if the device exited Deep Sleep by reading the Deep Sleep bit, DS (WDTCON<3>). This bit will be set if there was an exit from Deep Sleep mode.

14. Clear the Deep Sleep bit, DS (WDTCON<3>).
15. Determine the wake-up source by reading the DSWAKEH and DSWAKEL registers.
16. Determine if a DSBOR event occurred during Deep Sleep mode by reading the DSBOR bit (DSCONL<1>).
17. Read the DSGPR0 and DSGPR1 Context Save registers (optional).
18. Clear the RELEASE bit (DSCONL<0>).

**Note 1:** DSWDT and DSBOR are enabled through the devices' Configuration bits. For more information, see **Section 27.1 “Configuration Bits”**.

**2:** The DSWDT and RTCC clock sources are selected through the devices' Configuration bits. For more information, see **Section 27.1 “Configuration Bits”**.

**3:** For more information, see **Section 17.0 “Real-Time Clock and Calendar (RTCC)”**.

**4:** For more information on configuring this peripheral, see **Section 4.7 “Ultra Low-Power Wake-up”**.

## 4.6.8 DEEP SLEEP FAULT DETECTION

If during Deep Sleep, the device is subjected to unusual operating conditions, such as an Electrostatic Discharge (ESD) event, it is possible that internal circuit states used by the Deep Sleep module could become corrupted. If this were to happen, the device may exhibit unexpected behavior, such as a failure to wake back up.

In order to prevent this type of scenario from occurring, the Deep Sleep module includes automatic self-monitoring capability. During Deep Sleep, critical internal nodes are continuously monitored in order to detect possible Fault conditions (which would not ordinarily occur). If a Fault condition is detected, the circuitry will set the DSFLT status bit (DSWAKEL<7>) and automatically wake the microcontroller from Deep Sleep, causing a POR.

During Deep Sleep, the Fault detection circuitry is always enabled and does not require any specific configuration prior to entering Deep Sleep.



# PIC18F46J50 FAMILY

## 4.6.9 DEEP SLEEP MODE REGISTERS

Deep Sleep mode registers are provided in [Register 4-1](#) through [Register 4-6](#).

### REGISTER 4-1: DSCONH: DEEP SLEEP CONTROL HIGH BYTE REGISTER (BANKED F4Dh)

|                     |     |     |     |     |       |         |         |
|---------------------|-----|-----|-----|-----|-------|---------|---------|
| R/W-0               | U-0 | U-0 | U-0 | U-0 | R/W-0 | R/W-0   | R/W-0   |
| DSEN <sup>(1)</sup> | —   | —   | —   | —   | r     | DSULPEN | RTCWDIS |
| bit 7               |     |     |     |     |       | bit 0   |         |

|                   |                                    |
|-------------------|------------------------------------|
| <b>Legend:</b>    | r = Reserved bit                   |
| R = Readable bit  | W = Writable bit                   |
| -n = Value at POR | '1' = Bit is set                   |
|                   | U = Unimplemented bit, read as '0' |
|                   | '0' = Bit is cleared               |
|                   | x = Bit is unknown                 |

- bit 7      **DSEN:** Deep Sleep Enable bit<sup>(1)</sup>  
 1 = Deep Sleep mode is entered on a SLEEP command  
 0 = Sleep mode is entered on a SLEEP command
- bit 6-3    **Unimplemented:** Read as '0'
- bit 2      **Reserved:** Always write '0' to this bit
- bit 1      **DSULPEN:** Ultra Low-Power Wake-up Module Enable bit  
 1 = ULPWU module is enabled in Deep Sleep  
 0 = ULPWU module is disabled in Deep Sleep
- bit 0      **RTCWDIS:** RTCC Wake-up Disable bit  
 1 = Wake-up from RTCC is disabled  
 0 = Wake-up from RTCC is enabled

**Note 1:** In order to enter Deep Sleep, Sleep must be executed immediately after setting DSEN.

### REGISTER 4-2: DSCONL: DEEP SLEEP CONTROL LOW BYTE REGISTER (BANKED F4Ch)

|       |     |     |     |     |         |                      |                      |
|-------|-----|-----|-----|-----|---------|----------------------|----------------------|
| U-0   | U-0 | U-0 | U-0 | U-0 | R/W-0   | R/W-0 <sup>(1)</sup> | R/W-0 <sup>(1)</sup> |
| —     | —   | —   | —   | —   | ULPWDIS | DSBOR                | RELEASE              |
| bit 7 |     |     |     |     |         | bit 0                |                      |

|                   |                                    |
|-------------------|------------------------------------|
| <b>Legend:</b>    |                                    |
| R = Readable bit  | W = Writable bit                   |
| -n = Value at POR | '1' = Bit is set                   |
|                   | U = Unimplemented bit, read as '0' |
|                   | '0' = Bit is cleared               |
|                   | x = Bit is unknown                 |

- bit 7-3    **Unimplemented:** Read as '0'
- bit 2      **ULPWDIS:** Ultra Low-Power Wake-up Disable bit  
 1 = ULPWU wake-up source is disabled  
 0 = ULPWU wake-up source is enabled (must also set DSULPEN = 1)
- bit 1      **DSBOR:** Deep Sleep BOR Event Status bit  
 1 = DSBOR was enabled and VDD dropped below the DSBOR arming voltage during Deep Sleep, but did not fall below VDSBOR  
 0 = DSBOR was disabled or VDD did not drop below the DSBOR arming voltage during Deep Sleep
- bit 0      **RELEASE:** I/O Pin State Release bit  
 Upon waking from Deep Sleep, the I/O pins maintain their previous states. Clearing this bit will release the I/O pins and allow their respective TRIS and LAT bits to control their states.

**Note 1:** This is the value when VDD is initially applied.

# PIC18F46J50 FAMILY

---

## REGISTER 4-3: DSGPR0: DEEP SLEEP PERSISTENT GENERAL PURPOSE REGISTER 0 (BANKED F4Eh)

|  |       |
|--|-------|
| R/W-xxxx <sup>(1)</sup>                    |       |
| Deep Sleep Persistent General Purpose bits |       |
| bit 7                                      | bit 0 |

**Legend:**

|                   |                  |  |
|-------------------|------------------|--|
| R = Readable bit  | W = Writable bit | U = Unimplemented bit, read as '0'           |
| -n = Value at POR | '1' = Bit is set | '0' = Bit is cleared      x = Bit is unknown |

bit 7-0      Deep Sleep Persistent General Purpose bits  
              Contents are retained even in Deep Sleep mode.

**Note 1:** All register bits are maintained unless: VDDCORE drops below the normal BOR threshold outside of Deep Sleep or the device is in Deep Sleep and the dedicated DSBOR is enabled and VDD drops below the DSBOR threshold, or DSBOR is enabled or disabled, but VDD is hard cycled to near VSS.

## REGISTER 4-4: DSGPR1: DEEP SLEEP PERSISTENT GENERAL PURPOSE REGISTER 1 (BANKED F4Fh)

|  |       |
|--|-------|
| R/W-xxxx <sup>(1)</sup>                    |       |
| Deep Sleep Persistent General Purpose bits |       |
| bit 7                                      | bit 0 |

**Legend:**

|                   |                  |  |
|-------------------|------------------|--|
| R = Readable bit  | W = Writable bit | U = Unimplemented bit, read as '0'           |
| -n = Value at POR | '1' = Bit is set | '0' = Bit is cleared      x = Bit is unknown |

bit 7-0      Deep Sleep Persistent General Purpose bits  
              Contents are retained even in Deep Sleep mode.

**Note 1:** All register bits are maintained unless: VDDCORE drops below the normal BOR threshold outside of Deep Sleep or the device is in Deep Sleep and the dedicated DSBOR is enabled and VDD drops below the DSBOR threshold, or DSBOR is enabled or disabled, but VDD is hard cycled to near VSS.

# PIC18F46J50 FAMILY

## REGISTER 4-5: DSWAKEH: DEEP SLEEP WAKE HIGH BYTE REGISTER (BANKED F4Bh)

|       |     |     |     |     |     |     |        |
|-------|-----|-----|-----|-----|-----|-----|--------|
| U-0   | U-0 | U-0 | U-0 | U-0 | U-0 | U-0 | R/W-0  |
| —     | —   | —   | —   | —   | —   | —   | DSINT0 |
| bit 7 |     |     |     |     |     |     | bit 0  |

### Legend:

R = Readable bit                      W = Writable bit                      U = Unimplemented bit, read as '0'  
 -n = Value at POR                      '1' = Bit is set                      '0' = Bit is cleared                      x = Bit is unknown

bit 7-1                      **Unimplemented:** Read as '0'  
 bit 0                      **DSINT0:** Interrupt-on-Change bit  
                                  1 = Interrupt-on-change was asserted during Deep Sleep  
                                  0 = Interrupt-on-change was not asserted during Deep Sleep

## REGISTER 4-6: DSWAKEL: DEEP SLEEP WAKE LOW BYTE REGISTER (BANKED F4Ah)

|       |     |       |       |       |        |     |       |
|-------|-----|-------|-------|-------|--------|-----|-------|
| R/W-0 | U-0 | R/W-0 | R/W-0 | R/W-0 | R/W-0  | U-0 | R/W-1 |
| DSFLT | —   | DSULP | DSWDT | DSRTC | DSMCLR | —   | DSPOR |
| bit 7 |     |       |       |       |        |     | bit 0 |

### Legend:

R = Readable bit                      W = Writable bit                      U = Unimplemented bit, read as '0'  
 -n = Value at POR                      '1' = Bit is set                      '0' = Bit is cleared                      x = Bit is unknown

bit 7                      **DSFLT:** Deep Sleep Fault Detected bit  
                                  1 = A Deep Sleep Fault was detected during Deep Sleep  
                                  0 = A Deep Sleep Fault was not detected during Deep Sleep

bit 6                      **Unimplemented:** Read as '0'

bit 5                      **DSULP:** Ultra Low-Power Wake-up Status bit  
                                  1 = An Ultra Low-Power Wake-up event occurred during Deep Sleep  
                                  0 = An Ultra Low-Power Wake-up event did not occur during Deep Sleep

bit 4                      **DSWDT:** Deep Sleep Watchdog Timer Time-out bit  
                                  1 = The Deep Sleep Watchdog Timer timed out during Deep Sleep  
                                  0 = The Deep Sleep Watchdog Timer did not time out during Deep Sleep

bit 3                      **DSRTC:** Real-Time Clock and Calendar Alarm bit  
                                  1 = The Real-Time Clock/Calendar triggered an alarm during Deep Sleep  
                                  0 = The Real-Time Clock /Calendar did not trigger an alarm during Deep Sleep

bit 2                      **DSMCLR:**  $\overline{\text{MCLR}}$  Event bit  
                                  1 = The  $\overline{\text{MCLR}}$  pin was asserted during Deep Sleep  
                                  0 = The  $\overline{\text{MCLR}}$  pin was not asserted during Deep Sleep

bit 1                      **Unimplemented:** Read as '0'

bit 0                      **DSPOR:** Power-on Reset Event bit  
                                  1 = The VDD supply POR circuit was active and a POR event was detected<sup>(1)</sup>  
                                  0 = The VDD supply POR circuit was not active, or was active, but did not detect a POR event

**Note 1:** Unlike the other bits in this register, this bit can be set outside of Deep Sleep.

# PIC18F46J50 FAMILY

## 4.7 Ultra Low-Power Wake-up

The Ultra Low-Power Wake-up (ULPWU) on RA0 allows a slow falling voltage to generate an interrupt-on-change without excess current consumption.

Follow these steps to use this feature:

1. Configure a remappable output pin to output the ULPOUT signal.
2. Map an INTx interrupt-on-change input function to the same pin as used for the ULPOUT output function. Alternatively, in Step 1, configure ULPOUT to output onto a PORTB interrupt-on-change pin.
3. Charge the capacitor on RA0 by configuring the RA0 pin to an output and setting it to '1'.
4. Enable interrupt-on-change (PIE bit) for the corresponding pin selected in Step 2.
5. Stop charging the capacitor by configuring RA0 as an input.
6. Discharge the capacitor by setting the ULPEN and ULPSINK bits in the WDTCON register.
7. Configure Sleep mode.
8. Enter Sleep mode.

When the voltage on RA0 drops below  $V_{IL}$ , an interrupt will be generated, which will cause the device to wake-up and execute the next instruction.

This feature provides a low-power technique for periodically waking up the device from Sleep mode. The time-out is dependent on the discharge time of the RC circuit on RA0.

When the ULPWU module causes the device to wake-up from Sleep mode, the WDTCON<ULPLVL> bit is set. When the ULPWU module causes the device to wake-up from Deep Sleep, the DSULP (DSWAKEL<5>) bit is set. Software can check these bits upon wake-up to determine the wake-up source. Also in Sleep mode, only the remappable output function, ULPWU, will output this bit value to an RPN pin for externally detecting wake-up events.

See [Example 4-1](#) for initializing the ULPWU module.

**Note:** For module-related bit definitions, see the WDTCON register in [Section 27.2 “Watchdog Timer \(WDT\)”](#) and the DSWAKEL register ([Register 4-6](#)).

A series resistor between RA0 and the external capacitor provides overcurrent protection for the RA0/AN0/C1INA/ULPWU/RP0 pin and can allow for software calibration of the time-out (see [Figure 4-9](#)).

**FIGURE 4-9: SERIAL RESISTOR**



A timer can be used to measure the charge time and discharge time of the capacitor. The charge time can then be adjusted to provide the desired interrupt delay. This technique will compensate for the affects of temperature, voltage and component accuracy. The ULPWU peripheral can also be configured as a simple Programmable Low-Voltage Detect (LVD) or temperature sensor.

**Note:** For more information, refer to [AN879, “Using the Microchip Ultra Low-Power Wake-up Module”](#) application note (DS00879).

# PIC18F46J50 FAMILY

## EXAMPLE 4-1: ULTRA LOW-POWER WAKE-UP INITIALIZATION

```
//*****
//Configure a remappable output pin with interrupt capability
//for ULPWU function (RP21 => RD4/INT1 in this example)
//*****
RPOR21 = 13;// ULPWU function mapped to RP21/RD4
RPINR1 = 21;// INT1 mapped to RP21 (RD4)

//*****
//Charge the capacitor on RA0
//*****
TRISAbits.TRISA0 = 0;
LATABits.LATA0 = 1;
for(i = 0; i < 10000; i++) Nop();

//*****
//Stop Charging the capacitor on RA0
//*****
TRISAbits.TRISA0 = 1;

//*****
//Enable the Ultra Low Power Wakeup module
//and allow capacitor discharge
//*****
WDTCONbits.ULPEN = 1;
WDTCONbits.ULPSINK = 1;

//*****
//Enable Interrupt for ULPW
//*****
//For Sleep
//(assign the ULPOUT signal in the PPS module to a pin
//which has also been assigned an interrupt capability,
//such as INT1)
INTCON3bits.INT1IF = 0;
INTCON3bits.INT1IE = 1;

//*****
//Configure Sleep Mode
//*****
//For Sleep
OSCCONbits.IDLEN = 0;

//For Deep Sleep
OSCCONbits.IDLEN = 0; // enable deep sleep
DSCONHbits.DSEN = 1; // Note: must be set just before executing Sleep();
//*****
//Enter Sleep Mode
//*****
Sleep();
// for sleep, execution will resume here
// for deep sleep, execution will restart at reset vector (use WDTCONbits.DS to detect)
```

# PIC18F46J50 FAMILY

---

NOTES:

# PIC18F46J50 FAMILY

## 5.0 RESET

The PIC18F46J50 family of devices differentiate among various kinds of Reset:

- a) Power-on Reset (POR)
- b)  $\overline{\text{MCLR}}$  Reset during normal operation
- c)  $\overline{\text{MCLR}}$  Reset during power-managed modes
- d) Watchdog Timer (WDT) Reset (during execution)
- e) Configuration Mismatch (CM)
- f) Brown-out Reset (BOR)
- g) RESET Instruction
- h) Stack Full Reset
- i) Stack Underflow Reset
- j) Deep Sleep Reset

This section discusses Resets generated by  $\overline{\text{MCLR}}$ , POR and BOR, and covers the operation of the various start-up timers.

For information on WDT Resets, see [Section 27.2 “Watchdog Timer \(WDT\)”](#). For Stack Reset events, see [Section 6.1.4.4 “Stack Full and Underflow Resets”](#) and for Deep Sleep mode, see [Section 4.6 “Deep Sleep Mode”](#).

[Figure 5-1](#) provides a simplified block diagram of the on-chip Reset circuit.

## 5.1 RCON Register

Device Reset events are tracked through the RCON register ([Register 5-1](#)). The lower five bits of the register indicate that a specific Reset event has occurred. In most cases, these bits can only be set by the event and must be cleared by the application after the event. The state of these flag bits, taken together, can be read to indicate the type of Reset that just occurred. This is described in more detail in [Section 5.7 “Reset State of Registers”](#).

**FIGURE 5-1: SIMPLIFIED BLOCK DIAGRAM OF ON-CHIP RESET CIRCUIT**



# PIC18F46J50 FAMILY

## REGISTER 5-1: RCON: RESET CONTROL REGISTER (ACCESS FD0h)

| R/W-0 | U-0 | R/W-1                  | R/W-1                  | R-1                    | R-1                    | R/W-0                   | R/W-0                   |
|-------|-----|------------------------|------------------------|------------------------|------------------------|-------------------------|-------------------------|
| IPEN  | —   | $\overline{\text{CM}}$ | $\overline{\text{RI}}$ | $\overline{\text{TO}}$ | $\overline{\text{PD}}$ | $\overline{\text{POR}}$ | $\overline{\text{BOR}}$ |
| bit 7 |     |                        |                        |                        |                        |                         | bit 0                   |

### Legend:

R = Readable bit  
-n = Value at POR

W = Writable bit  
'1' = Bit is set

U = Unimplemented bit, read as '0'  
'0' = Bit is cleared  
x = Bit is unknown

|       |   |
|-------|---|
| bit 7 | <b>IPEN:</b> Interrupt Priority Enable bit<br>1 = Enable priority levels on interrupts<br>0 = Disable priority levels on interrupts (PIC16CXXX Compatibility mode)  |
| bit 6 | <b>Unimplemented:</b> Read as '0'   |
| bit 5 | <b><math>\overline{\text{CM}}</math>:</b> Configuration Mismatch Flag bit<br>1 = A Configuration Mismatch Reset has not occurred<br>0 = A Configuration Mismatch Reset has occurred (must be set in software after a Configuration Mismatch Reset occurs)           |
| bit 4 | <b><math>\overline{\text{RI}}</math>:</b> RESET Instruction Flag bit<br>1 = The RESET instruction was not executed (set by firmware only)<br>0 = The RESET instruction was executed causing a device Reset (must be set in software after a Brown-out Reset occurs) |
| bit 3 | <b><math>\overline{\text{TO}}</math>:</b> Watchdog Time-out Flag bit<br>1 = Set by power-up, CLRWD $\overline{\text{T}}$ instruction or SLEEP instruction<br>0 = A WDT time-out occurred  |
| bit 2 | <b><math>\overline{\text{PD}}</math>:</b> Power-Down Detection Flag bit<br>1 = Set by power-up or by the CLRWD $\overline{\text{T}}$ instruction<br>0 = Set by execution of the SLEEP instruction   |
| bit 1 | <b><math>\overline{\text{POR}}</math>:</b> Power-on Reset Status bit<br>1 = A Power-on Reset has not occurred (set by firmware only)<br>0 = A Power-on Reset occurred (must be set in software after a Power-on Reset occurs)                                       |
| bit 0 | <b><math>\overline{\text{BOR}}</math>:</b> Brown-out Reset Status bit<br>1 = A Brown-out Reset has not occurred (set by firmware only)<br>0 = A Brown-out Reset occurred (must be set in software after a Brown-out Reset occurs)                                   |

**Note 1:** It is recommended that the  $\overline{\text{POR}}$  bit be set after a Power-on Reset has been detected, so that subsequent Power-on Resets may be detected.

**2:** If the on-chip voltage regulator is disabled,  $\overline{\text{BOR}}$  remains '0' at all times. See [Section 5.4.1 "Detecting BOR"](#) for more information.

**3:** Brown-out Reset is said to have occurred when  $\overline{\text{BOR}}$  is '0' and  $\overline{\text{POR}}$  is '1' (assuming that  $\overline{\text{POR}}$  was set to '1' by software immediately after a Power-on Reset).



## 5.2 Master Clear ( $\overline{\text{MCLR}}$ )

The Master Clear Reset ( $\overline{\text{MCLR}}$ ) pin provides a method for triggering a hard external Reset of the device. A Reset is generated by holding the pin low. PIC18 extended microcontroller devices have a noise filter in the  $\overline{\text{MCLR}}$  Reset path, which detects and ignores small pulses.

The  $\overline{\text{MCLR}}$  pin is not driven low by any internal Resets, including the WDT.

## 5.3 Power-on Reset (POR)

A POR condition is generated on-chip whenever VDD rises above a certain threshold. This allows the device to start in the initialized state when VDD is adequate for operation.

To take advantage of the POR circuitry, tie the  $\overline{\text{MCLR}}$  pin through a resistor (1 k $\Omega$  to 10 k $\Omega$ ) to VDD. This will eliminate external RC components usually needed to create a POR delay.

When the device starts normal operation (i.e., exits the Reset condition), device operating parameters (voltage, frequency, temperature, etc.) must be met to ensure operation. If these conditions are not met, the device must be held in Reset until the operating conditions are met.

POR events are captured by the  $\overline{\text{POR}}$  bit (RCON<1>). The state of the bit is set to '0' whenever a Power-on Reset occurs; it does not change for any other Reset event.  $\overline{\text{POR}}$  is not reset to '1' by any hardware event. To capture multiple events, the user manually resets the bit to '1' in software following any POR.

## 5.4 Brown-out Reset (BOR)

The "F" devices in the PIC18F46J50 family incorporate two types of BOR circuits: one which monitors VDDCORE and one which monitors VDD. Only one BOR circuit can be active at a time. When in normal Run mode, Idle or normal Sleep modes, the BOR circuit that monitors VDDCORE is active and will cause the device to be held in BOR if VDDCORE drops below VBOR (Parameter D005). Once VDDCORE rises back above VBOR, the device will be held in Reset until the expiration of the Power-up Timer, with period, TPWRT (Parameter 33).

During Deep Sleep operation, the on-chip core voltage regulator is disabled and VDDCORE is allowed to drop to VSS. If the Deep Sleep BOR circuit is enabled by the DSBOREN bit (CONFIG3L<2> = 1), it will monitor VDD. If VDD drops below the VDSBOR threshold, the device will be held in a Reset state similar to POR. All registers

will be set back to their Power-on Reset values and the contents of the DSGPR0 and DSGPR1 holding registers will be lost. Additionally, if any I/O pins had been configured as outputs during Deep Sleep, these pins will be tri-stated and the device will no longer be held in Deep Sleep. Once the VDD voltage recovers back above the VDSBOR threshold, and once the core voltage regulator achieves a VDDCORE voltage above VBOR, the device will begin executing code again normally, but the DS bit in the WDTCON register will not be set. The device behavior will be similar to hard cycling all power to the device.

On "LF" devices (ex: PIC18LF46J50), the VDDCORE BOR circuit is always disabled because the internal core voltage regulator is disabled. Instead of monitoring VDDCORE, PIC18LF devices in this family can still use the VDD BOR circuit to monitor VDD excursions below the VDSBOR threshold. The VDD BOR circuit can be disabled by setting the DSBOREN bit = 0.

The VDD BOR circuit is enabled when DSBOREN = 1 on "LF" devices, or on "F" devices while in Deep Sleep with DSBOREN = 1. When enabled, the VDD BOR circuit is extremely low power (typ. 40nA) during normal operation, above ~2.3V on VDD. If VDD drops below this DSBOR arming level when the VDD BOR circuit is enabled, the device may begin to consume additional current (typ. 50  $\mu$ A) as internal features of the circuit power-up. The higher current is necessary to achieve more accurate sensing of the VDD level. However, the device will not enter Reset until VDD falls below the VDSBOR threshold.

### 5.4.1 DETECTING BOR

The  $\overline{\text{BOR}}$  bit always resets to '0' on any VDDCORE BOR or POR event. This makes it difficult to determine if a Brown-out Reset event has occurred just by reading the state of  $\overline{\text{BOR}}$  alone. A more reliable method is to simultaneously check the state of both  $\overline{\text{POR}}$  and  $\overline{\text{BOR}}$ . This assumes that the  $\overline{\text{POR}}$  bit is reset to '1' in software immediately after any Power-on Reset event. If  $\overline{\text{BOR}}$  is '0' while  $\overline{\text{POR}}$  is '1', it can be reliably assumed that a Brown-out Reset event has occurred.

If the voltage regulator is disabled (LF device), the VDDCORE BOR functionality is disabled. In this case, the  $\overline{\text{BOR}}$  bit cannot be used to determine a Brown-out Reset event. The  $\overline{\text{BOR}}$  bit is still cleared by a Power-on Reset event.

# PIC18F46J50 FAMILY

## 5.5 Configuration Mismatch (CM)

The Configuration Mismatch (CM) Reset is designed to detect, and attempt to recover from, random memory corrupting events. These include Electrostatic Discharge (ESD) events, which can cause widespread single-bit changes throughout the device, and result in catastrophic failure.

In PIC18FXXJ Flash devices, the device Configuration registers (located in the configuration memory space) are continuously monitored during operation by comparing their values to complimentary shadow registers. If a mismatch is detected between the two sets of registers, a CM Reset automatically occurs. These events are captured by the  $\overline{\text{CM}}$  bit (RCON<5>). The state of the bit is set to '0' whenever a CM event occurs; it does not change for any other Reset event.

A CM Reset behaves similarly to a  $\overline{\text{MCLR}}$ , RESET instruction, WDT time-out or Stack Event Resets. As with all hard and power Reset events, the device Configuration Words are reloaded from the Flash Configuration Words in program memory as the device restarts.

## 5.6 Power-up Timer (PWRT)

PIC18F46J50 family devices incorporate an on-chip PWRT to help regulate the POR process. The PWRT is always enabled. The main function is to ensure that the device voltage is stable before code is executed.

The Power-up Timer (PWRT) of the PIC18F46J50 family devices is a 5-bit counter which uses the INTRC source as the clock input. This yields an approximate time interval of  $32 \times 32 \mu\text{s} = 1 \text{ ms}$ . While the PWRT is counting, the device is held in Reset.

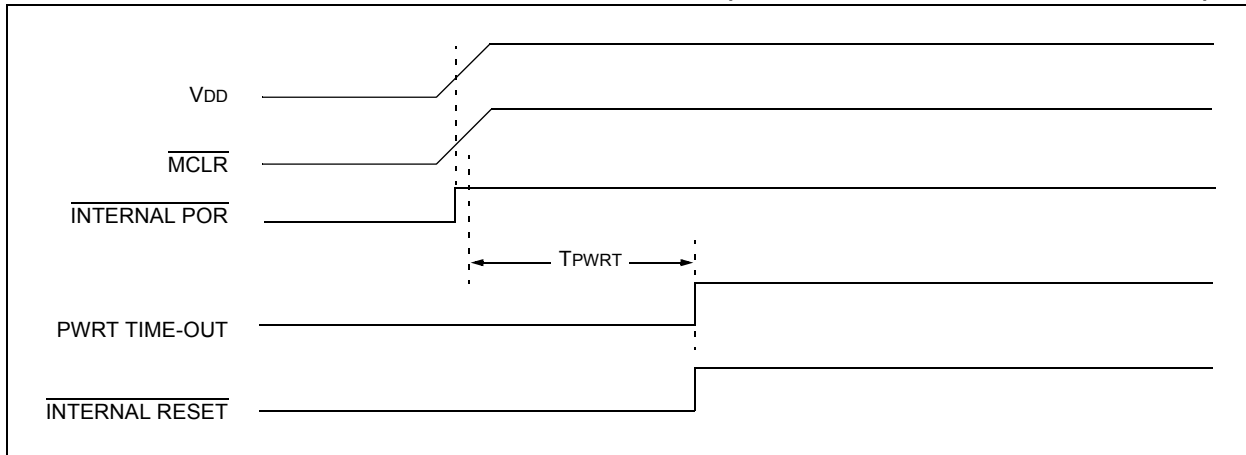
The power-up time delay depends on the INTRC clock and will vary from chip-to-chip due to temperature and process variation. See DC Parameter 33 (TPWRT) for details.

### 5.6.1 TIME-OUT SEQUENCE

The PWRT time-out is invoked after the POR pulse has cleared. The total time-out will vary based on the status of the PWRT. Figure 5-2, Figure 5-3, Figure 5-4 and Figure 5-5 all depict time-out sequences on power-up with the PWRT.

Since the time-outs occur from the POR pulse, if  $\overline{\text{MCLR}}$  is kept low long enough, the PWRT will expire. Bringing  $\overline{\text{MCLR}}$  high will begin execution immediately if a clock source is available (Figure 5-4). This is useful for testing purposes, or to synchronize more than one PIC18F device operating in parallel.

FIGURE 5-2: TIME-OUT SEQUENCE ON POWER-UP ( $\overline{\text{MCLR}}$  TIED TO  $V_{\text{DD}}$ ,  $V_{\text{DD}}$  RISE <  $T_{\text{PWRT}}$ )



# PIC18F46J50 FAMILY

**FIGURE 5-3: TIME-OUT SEQUENCE ON POWER-UP ( $\overline{\text{MCLR}}$  NOT TIED TO  $V_{\text{DD}}$ ): CASE 1**



**FIGURE 5-4: TIME-OUT SEQUENCE ON POWER-UP ( $\overline{\text{MCLR}}$  NOT TIED TO  $V_{\text{DD}}$ ): CASE 2**



**FIGURE 5-5: SLOW RISE TIME ( $\overline{\text{MCLR}}$  TIED TO  $V_{\text{DD}}$ ,  $V_{\text{DD}}$  RISE  $>$   $T_{\text{PWRT}}$ )**



# PIC18F46J50 FAMILY

## 5.7 Reset State of Registers

Most registers are unaffected by a Reset. Their status is unknown on POR and unchanged by all other Resets. The other registers are forced to a “Reset state” depending on the type of Reset that occurred.

Most registers are not affected by a WDT wake-up, since this is viewed as the resumption of normal operation. Status bits from the RCON register ( $\overline{CM}$ ,  $\overline{RI}$ ,

$\overline{TO}$ ,  $\overline{PD}$ ,  $\overline{POR}$  and  $\overline{BOR}$ ) are set or cleared differently in different Reset situations, as indicated in Table 5-1. These bits are used in software to determine the nature of the Reset.

Table 5-2 describes the Reset states for all of the Special Function Registers. These are categorized by POR and BOR,  $\overline{MCLR}$  and WDT Resets and WDT wake-ups.

**TABLE 5-1: STATUS BITS, THEIR SIGNIFICANCE AND THE INITIALIZATION CONDITION FOR RCON REGISTER**

| Condition  | Program Counter <sup>(1)</sup> | RCON Register   |                 |                 |                 |                  |                  | STKPTR Register |        |
|--|--------------------------------|-----------------|-----------------|-----------------|-----------------|------------------|------------------|-----------------|--------|
|  |                                | $\overline{CM}$ | $\overline{RI}$ | $\overline{TO}$ | $\overline{PD}$ | $\overline{POR}$ | $\overline{BOR}$ | STKFUL          | STKUNF |
| Power-on Reset   | 0000h                          | 1               | 1               | 1               | 1               | 0                | 0                | 0               | 0      |
| RESET instruction  | 0000h                          | u               | 0               | u               | u               | u                | u                | u               | u      |
| Brown-out Reset  | 0000h                          | 1               | 1               | 1               | 1               | u                | 0                | u               | u      |
| Configuration Mismatch Reset   | 0000h                          | 0               | u               | u               | u               | u                | u                | u               | u      |
| $\overline{MCLR}$ Reset during power-managed Run modes                 | 0000h                          | u               | u               | 1               | u               | u                | u                | u               | u      |
| $\overline{MCLR}$ Reset during power-managed Idle modes and Sleep mode | 0000h                          | u               | u               | 1               | 0               | u                | u                | u               | u      |
| $\overline{MCLR}$ Reset during full-power execution                    | 0000h                          | u               | u               | u               | u               | u                | u                | u               | u      |
| Stack Full Reset (STVREN = 1)  | 0000h                          | u               | u               | u               | u               | u                | u                | 1               | u      |
| Stack Underflow Reset (STVREN = 1)                                     | 0000h                          | u               | u               | u               | u               | u                | u                | u               | 1      |
| Stack Underflow Error (not an actual Reset, STVREN = 0)                | 0000h                          | u               | u               | u               | u               | u                | u                | u               | 1      |
| WDT time-out during full-power or power-managed Run modes              | 0000h                          | u               | u               | 0               | u               | u                | u                | u               | u      |
| WDT time-out during power-managed Idle or Sleep modes                  | PC + 2                         | u               | u               | 0               | 0               | u                | u                | u               | u      |
| Interrupt exit from power-managed modes                                | PC + 2                         | u               | u               | u               | 0               | u                | u                | u               | u      |

**Legend:** u = unchanged

**Note 1:** When the wake-up is due to an interrupt and the GIEH or GIEL bit is set, the PC is loaded with the interrupt vector (0008h or 0018h).

# PIC18F46J50 FAMILY

**TABLE 5-2: INITIALIZATION CONDITIONS FOR ALL REGISTERS**

| Register | Applicable Devices |             | Power-on Reset,<br>Brown-out Reset,<br>Wake From Deep<br>Sleep | MCLR Resets   | Wake-up via WDT<br>or Interrupt |
|----------|--------------------|-------------|--|---|---------------------------------|
|          |                    |             |  | WDT Reset<br>RESET Instruction<br>Stack Resets<br>CM Resets |                                 |
| TOSU     | PIC18F2XJ50        | PIC18F4XJ50 | ---0 0000  | ---0 0000   | ---u uuuu <sup>(1)</sup>        |
| TOSH     | PIC18F2XJ50        | PIC18F4XJ50 | 0000 0000  | 0000 0000   | uuuu uuuu <sup>(1)</sup>        |
| TOSL     | PIC18F2XJ50        | PIC18F4XJ50 | 0000 0000  | 0000 0000   | uuuu uuuu <sup>(1)</sup>        |
| STKPTR   | PIC18F2XJ50        | PIC18F4XJ50 | 00-0 0000  | uu-0 0000   | uu-u uuuu <sup>(1)</sup>        |
| PCLATU   | PIC18F2XJ50        | PIC18F4XJ50 | ---0 0000  | ---0 0000   | ---u uuuu                       |
| PCLATH   | PIC18F2XJ50        | PIC18F4XJ50 | 0000 0000  | 0000 0000   | uuuu uuuu                       |
| PCL      | PIC18F2XJ50        | PIC18F4XJ50 | 0000 0000  | 0000 0000   | PC + 2 <sup>(2)</sup>           |
| TBLPTRU  | PIC18F2XJ50        | PIC18F4XJ50 | --00 0000  | --00 0000   | --uu uuuu                       |
| TBLPTRH  | PIC18F2XJ50        | PIC18F4XJ50 | 0000 0000  | 0000 0000   | uuuu uuuu                       |
| TBLPTRL  | PIC18F2XJ50        | PIC18F4XJ50 | 0000 0000  | 0000 0000   | uuuu uuuu                       |
| TABLAT   | PIC18F2XJ50        | PIC18F4XJ50 | 0000 0000  | 0000 0000   | uuuu uuuu                       |
| PRODH    | PIC18F2XJ50        | PIC18F4XJ50 | xxxx xxxx  | uuuu uuuu   | uuuu uuuu                       |
| PRODL    | PIC18F2XJ50        | PIC18F4XJ50 | xxxx xxxx  | uuuu uuuu   | uuuu uuuu                       |
| INTCON   | PIC18F2XJ50        | PIC18F4XJ50 | 0000 000x  | 0000 000u   | uuuu uuuu <sup>(3)</sup>        |
| INTCON2  | PIC18F2XJ50        | PIC18F4XJ50 | 1111 1111  | 1111 1111   | uuuu uuuu <sup>(3)</sup>        |
| INTCON3  | PIC18F2XJ50        | PIC18F4XJ50 | 1100 0000  | 1100 0000   | uuuu uuuu <sup>(3)</sup>        |
| INDF0    | PIC18F2XJ50        | PIC18F4XJ50 | N/A  | N/A   | N/A                             |
| POSTINC0 | PIC18F2XJ50        | PIC18F4XJ50 | N/A  | N/A   | N/A                             |
| POSTDEC0 | PIC18F2XJ50        | PIC18F4XJ50 | N/A  | N/A   | N/A                             |
| PREINC0  | PIC18F2XJ50        | PIC18F4XJ50 | N/A  | N/A   | N/A                             |
| PLUSW0   | PIC18F2XJ50        | PIC18F4XJ50 | N/A  | N/A   | N/A                             |
| FSR0H    | PIC18F2XJ50        | PIC18F4XJ50 | ---- 0000  | ---- 0000   | ---- uuuu                       |
| FSR0L    | PIC18F2XJ50        | PIC18F4XJ50 | xxxx xxxx  | uuuu uuuu   | uuuu uuuu                       |
| WREG     | PIC18F2XJ50        | PIC18F4XJ50 | xxxx xxxx  | uuuu uuuu   | uuuu uuuu                       |
| INDF1    | PIC18F2XJ50        | PIC18F4XJ50 | N/A  | N/A   | N/A                             |
| POSTINC1 | PIC18F2XJ50        | PIC18F4XJ50 | N/A  | N/A   | N/A                             |
| POSTDEC1 | PIC18F2XJ50        | PIC18F4XJ50 | N/A  | N/A   | N/A                             |
| PREINC1  | PIC18F2XJ50        | PIC18F4XJ50 | N/A  | N/A   | N/A                             |
| PLUSW1   | PIC18F2XJ50        | PIC18F4XJ50 | N/A  | N/A   | N/A                             |
| FSR1H    | PIC18F2XJ50        | PIC18F4XJ50 | ---- 0000  | ---- 0000   | ---- uuuu                       |
| FSR1L    | PIC18F2XJ50        | PIC18F4XJ50 | xxxx xxxx  | uuuu uuuu   | uuuu uuuu                       |
| BSR      | PIC18F2XJ50        | PIC18F4XJ50 | ---- 0000  | ---- 0000   | ---- uuuu                       |

**Legend:** u = unchanged, x = unknown, - = unimplemented bit, read as '0', q = value depends on condition.

- Note 1:** When the wake-up is due to an interrupt and the GIEH (and GIEL if low priority) bit(s) are set, the TOSU, TOSH and TOSL are updated with the current value of the PC. The STKPTR is modified to point to the next location in the hardware stack.
- 2:** When the wake-up is due to an interrupt and the GIEL or GIEH bit is set, the PC is loaded with the interrupt vector (0008h or 0018h).
- 3:** One or more bits in the INTCONx or PIRx registers will be affected (to cause wake-up).
- 4:** See [Table 5-1](#) for Reset value for specific condition.
- 5:** Not implemented on PIC18F2XJ50 devices.
- 6:** Not implemented on "LF" devices.

# PIC18F46J50 FAMILY

**TABLE 5-2: INITIALIZATION CONDITIONS FOR ALL REGISTERS (CONTINUED)**

| Register            | Applicable Devices |             | Power-on Reset,<br>Brown-out Reset,<br>Wake From Deep<br>Sleep | MCLR Resets<br>WDT Reset<br>RESET Instruction<br>Stack Resets<br>CM Resets | Wake-up via WDT<br>or Interrupt |
|---------------------|--------------------|-------------|--|--|---------------------------------|
| INDF2               | PIC18F2XJ50        | PIC18F4XJ50 | N/A  | N/A  | N/A                             |
| POSTINC2            | PIC18F2XJ50        | PIC18F4XJ50 | N/A  | N/A  | N/A                             |
| POSTDEC2            | PIC18F2XJ50        | PIC18F4XJ50 | N/A  | N/A  | N/A                             |
| PREINC2             | PIC18F2XJ50        | PIC18F4XJ50 | N/A  | N/A  | N/A                             |
| PLUSW2              | PIC18F2XJ50        | PIC18F4XJ50 | N/A  | N/A  | N/A                             |
| FSR2H               | PIC18F2XJ50        | PIC18F4XJ50 | ---- 0000  | ---- 0000  | ---- uuuu                       |
| FSR2L               | PIC18F2XJ50        | PIC18F4XJ50 | xxxx xxxx  | uuuu uuuu  | uuuu uuuu                       |
| STATUS              | PIC18F2XJ50        | PIC18F4XJ50 | ---x xxxx  | ---u uuuu  | ---u uuuu                       |
| TMR0H               | PIC18F2XJ50        | PIC18F4XJ50 | 0000 0000  | 0000 0000  | uuuu uuuu                       |
| TMR0L               | PIC18F2XJ50        | PIC18F4XJ50 | xxxx xxxx  | uuuu uuuu  | uuuu uuuu                       |
| T0CON               | PIC18F2XJ50        | PIC18F4XJ50 | 1111 1111  | 1111 1111  | uuuu uuuu                       |
| OSCCON              | PIC18F2XJ50        | PIC18F4XJ50 | 0110 q100  | 0110 q100  | uuuu q1uu                       |
| CM1CON              | PIC18F2XJ50        | PIC18F4XJ50 | 0001 1111  | 0001 1111  | uuuu uuuu                       |
| CM2CON              | PIC18F2XJ50        | PIC18F4XJ50 | 0001 1111  | 0001 1111  | uuuu uuuu                       |
| RCON <sup>(4)</sup> | PIC18F2XJ50        | PIC18F4XJ50 | 0-11 11qq  | 0-qq qquu  | u-qq qquu                       |
| TMR1H               | PIC18F2XJ50        | PIC18F4XJ50 | xxxx xxxx  | uuuu uuuu  | uuuu uuuu                       |
| TMR1L               | PIC18F2XJ50        | PIC18F4XJ50 | xxxx xxxx  | uuuu uuuu  | uuuu uuuu                       |
| T1CON               | PIC18F2XJ50        | PIC18F4XJ50 | 0000 0000  | uuuu uuuu  | uuuu uuuu                       |
| TMR2                | PIC18F2XJ50        | PIC18F4XJ50 | 0000 0000  | 0000 0000  | uuuu uuuu                       |
| PR2                 | PIC18F2XJ50        | PIC18F4XJ50 | 1111 1111  | 1111 1111  | uuuu uuuu                       |
| T2CON               | PIC18F2XJ50        | PIC18F4XJ50 | -000 0000  | -000 0000  | -uuu uuuu                       |
| SSP1BUF             | PIC18F2XJ50        | PIC18F4XJ50 | xxxx xxxx  | uuuu uuuu  | uuuu uuuu                       |
| SSP1ADD             | PIC18F2XJ50        | PIC18F4XJ50 | 0000 0000  | 0000 0000  | uuuu uuuu                       |
| SSP1MSK             | PIC18F2XJ50        | PIC18F4XJ50 | 1111 1111  | 1111 1111  | uuuu uuuu                       |
| SSP1STAT            | PIC18F2XJ50        | PIC18F4XJ50 | 0000 0000  | 0000 0000  | uuuu uuuu                       |
| SSP1CON1            | PIC18F2XJ50        | PIC18F4XJ50 | 0000 0000  | 0000 0000  | uuuu uuuu                       |
| SSP1CON2            | PIC18F2XJ50        | PIC18F4XJ50 | 0000 0000  | 0000 0000  | uuuu uuuu                       |
| ADRESH              | PIC18F2XJ50        | PIC18F4XJ50 | xxxx xxxx  | uuuu uuuu  | uuuu uuuu                       |
| ADRESL              | PIC18F2XJ50        | PIC18F4XJ50 | xxxx xxxx  | uuuu uuuu  | uuuu uuuu                       |
| ADCON0              | PIC18F2XJ50        | PIC18F4XJ50 | 0000 0000  | 0000 0000  | uuuu uuuu                       |
| ADCON1              | PIC18F2XJ50        | PIC18F4XJ50 | 0000 0000  | 0000 0000  | uuuu uuuu                       |
| WDTCON              | PIC18F2XJ50        | PIC18F4XJ50 | 1qq- q000  | 1qq- 0000  | uqq- uuuu                       |

**Legend:** u = unchanged, x = unknown, - = unimplemented bit, read as '0', q = value depends on condition.

**Note 1:** When the wake-up is due to an interrupt and the GIEH (and GIEL if low priority) bit(s) are set, the TOSU, TOSH and TOSL are updated with the current value of the PC. The STKPTR is modified to point to the next location in the hardware stack.

**2:** When the wake-up is due to an interrupt and the GIEL or GIEH bit is set, the PC is loaded with the interrupt vector (0008h or 0018h).

**3:** One or more bits in the INTCONx or PIRx registers will be affected (to cause wake-up).

**4:** See [Table 5-1](#) for Reset value for specific condition.

**5:** Not implemented on PIC18F2XJ50 devices.

**6:** Not implemented on "LF" devices.

# PIC18F46J50 FAMILY

**TABLE 5-2: INITIALIZATION CONDITIONS FOR ALL REGISTERS (CONTINUED)**

| Register | Applicable Devices |             | Power-on Reset,<br>Brown-out Reset,<br>Wake From Deep<br>Sleep | MCLR Resets<br>WDT Reset<br>RESET Instruction<br>Stack Resets<br>CM Resets | Wake-up via WDT<br>or Interrupt |
|----------|--------------------|-------------|--|--|---------------------------------|
| PSTR1CON | PIC18F2XJ50        | PIC18F4XJ50 | 00-0 0001  | 00-0 0001  | uu-u uuuu                       |
| ECCP1AS  | PIC18F2XJ50        | PIC18F4XJ50 | 0000 0000  | 0000 0000  | uuuu uuuu                       |
| ECCP1DEL | PIC18F2XJ50        | PIC18F4XJ50 | 0000 0000  | 0000 0000  | uuuu uuuu                       |
| CCPR1H   | PIC18F2XJ50        | PIC18F4XJ50 | xxxx xxxx  | uuuu uuuu  | uuuu uuuu                       |
| CCPR1L   | PIC18F2XJ50        | PIC18F4XJ50 | xxxx xxxx  | uuuu uuuu  | uuuu uuuu                       |
| CCP1CON  | PIC18F2XJ50        | PIC18F4XJ50 | 0000 0000  | 0000 0000  | uuuu uuuu                       |
| PSTR2CON | PIC18F2XJ50        | PIC18F4XJ50 | 00-0 0001  | 00-0 0001  | uu-u uuuu                       |
| ECCP2AS  | PIC18F2XJ50        | PIC18F4XJ50 | 0000 0000  | 0000 0000  | uuuu uuuu                       |
| ECCP2DEL | PIC18F2XJ50        | PIC18F4XJ50 | 0000 0000  | 0000 0000  | uuuu uuuu                       |
| CCPR2H   | PIC18F2XJ50        | PIC18F4XJ50 | xxxx xxxx  | uuuu uuuu  | uuuu uuuu                       |
| CCPR2L   | PIC18F2XJ50        | PIC18F4XJ50 | xxxx xxxx  | uuuu uuuu  | uuuu uuuu                       |
| CCP2CON  | PIC18F2XJ50        | PIC18F4XJ50 | 0000 0000  | 0000 0000  | uuuu uuuu                       |
| CTMUCONH | PIC18F2XJ50        | PIC18F4XJ50 | 0-00 000-  | 0-00 000-  | u-uu uuu-                       |
| CTMUCONL | PIC18F2XJ50        | PIC18F4XJ50 | 0000 00xx  | 0000 00xx  | uuuu uuuu                       |
| CTMUICON | PIC18F2XJ50        | PIC18F4XJ50 | 0000 0000  | 0000 0000  | uuuu uuuu                       |
| SPBRG1   | PIC18F2XJ50        | PIC18F4XJ50 | 0000 0000  | 0000 0000  | uuuu uuuu                       |
| RCREG1   | PIC18F2XJ50        | PIC18F4XJ50 | 0000 0000  | 0000 0000  | uuuu uuuu                       |
| TXREG1   | PIC18F2XJ50        | PIC18F4XJ50 | xxxx xxxx  | 0000 0000  | uuuu uuuu                       |
| TXSTA1   | PIC18F2XJ50        | PIC18F4XJ50 | 0000 0010  | 0000 0010  | uuuu uuuu                       |
| RCSTA1   | PIC18F2XJ50        | PIC18F4XJ50 | 0000 000x  | 0000 000x  | uuuu uuuu                       |
| SPBRG2   | PIC18F2XJ50        | PIC18F4XJ50 | 0000 0000  | 0000 0000  | uuuu uuuu                       |
| RCREG2   | PIC18F2XJ50        | PIC18F4XJ50 | 0000 0000  | 0000 0000  | uuuu uuuu                       |
| TXREG2   | PIC18F2XJ50        | PIC18F4XJ50 | 0000 0000  | 0000 0000  | uuuu uuuu                       |
| TXSTA2   | PIC18F2XJ50        | PIC18F4XJ50 | 0000 0010  | 0000 0010  | uuuu uuuu                       |
| EECON2   | PIC18F2XJ50        | PIC18F4XJ50 | ---- ----  | ---- ----  | ---- ----                       |
| EECON1   | PIC18F2XJ50        | PIC18F4XJ50 | --00 x00-  | --00 q00-  | --00 u00-                       |
| IPR3     | PIC18F2XJ50        | PIC18F4XJ50 | 1111 1111  | 1111 1111  | uuuu uuuu                       |
| PIR3     | PIC18F2XJ50        | PIC18F4XJ50 | 0000 0000  | 0000 0000  | uuuu uuuu <sup>(3)</sup>        |
| PIE3     | PIC18F2XJ50        | PIC18F4XJ50 | 0000 0000  | 0000 0000  | uuuu uuuu                       |
| IPR2     | PIC18F2XJ50        | PIC18F4XJ50 | 1111 1111  | 1111 1111  | uuuu uuuu                       |
| PIR2     | PIC18F2XJ50        | PIC18F4XJ50 | 0000 0000  | 0000 0000  | uuuu uuuu <sup>(3)</sup>        |
| PIE2     | PIC18F2XJ50        | PIC18F4XJ50 | 0000 0000  | 0000 0000  | uuuu uuuu                       |

**Legend:** u = unchanged, x = unknown, - = unimplemented bit, read as '0', q = value depends on condition.

- Note 1:** When the wake-up is due to an interrupt and the GIEH (and GIEL if low priority) bit(s) are set, the TOSU, TOSH and TOSL are updated with the current value of the PC. The STKPTR is modified to point to the next location in the hardware stack.
- 2:** When the wake-up is due to an interrupt and the GIEL or GIEH bit is set, the PC is loaded with the interrupt vector (0008h or 0018h).
- 3:** One or more bits in the INTCONx or PIRx registers will be affected (to cause wake-up).
- 4:** See [Table 5-1](#) for Reset value for specific condition.
- 5:** Not implemented on PIC18F2XJ50 devices.
- 6:** Not implemented on "LF" devices.

# PIC18F46J50 FAMILY

**TABLE 5-2: INITIALIZATION CONDITIONS FOR ALL REGISTERS (CONTINUED)**

| Register             | Applicable Devices |             | Power-on Reset,<br>Brown-out Reset,<br>Wake From Deep<br>Sleep | MCLR Resets<br>WDT Reset<br>RESET Instruction<br>Stack Resets<br>CM Resets | Wake-up via WDT<br>or Interrupt |
|----------------------|--------------------|-------------|--|--|---------------------------------|
| IPR1                 | PIC18F2XJ50        | PIC18F4XJ50 | 1111 1111  | 1111 1111  | uuuu uuuu                       |
| PIR1                 | PIC18F2XJ50        | PIC18F4XJ50 | 0000 0000  | 0000 0000  | uuuu uuuu <sup>(3)</sup>        |
| PIE1                 | PIC18F2XJ50        | PIC18F4XJ50 | 0000 0000  | 0000 0000  | uuuu uuuu                       |
| RCSTA2               | PIC18F2XJ50        | PIC18F4XJ50 | 0000 000x  | 0000 000x  | uuuu uuuu                       |
| OSCTUNE              | PIC18F2XJ50        | PIC18F4XJ50 | 0000 0000  | 0000 0000  | uuuu uuuu                       |
| T1GCON               | PIC18F2XJ50        | PIC18F4XJ50 | 0000 0x00  | 0000 0x00  | uuuu uxuu                       |
| RTCVALH              | PIC18F2XJ50        | PIC18F4XJ50 | 0xxx xxxxx   | 0uuu uuuu  | 0uuu uuuu                       |
| RTCVALL              | PIC18F2XJ50        | PIC18F4XJ50 | 0xxx xxxxx   | 0uuu uuuu  | 0uuu uuuu                       |
| T3GCON               | PIC18F2XJ50        | PIC18F4XJ50 | 0000 0x00  | uuuu uxuu  | uuuu uxuu                       |
| TRISE <sup>(5)</sup> | —                  | PIC18F4XJ50 | ---- -111  | ---- -111  | ---- -uuu                       |
| TRISD <sup>(5)</sup> | —                  | PIC18F4XJ50 | 1111 1111  | 1111 1111  | uuuu uuuu                       |
| TRISC                | PIC18F2XJ50        | PIC18F4XJ50 | 11-- -111  | 11-- -111  | uu-- -uuu                       |
| TRISB                | PIC18F2XJ50        | PIC18F4XJ50 | 1111 1111  | 1111 1111  | uuuu uuuu                       |
| TRISA                | PIC18F2XJ50        | PIC18F4XJ50 | 111- 1111  | 111- 1111  | uuu- uuuu                       |
| ALRMCFG              | PIC18F2XJ50        | PIC18F4XJ50 | 0000 0000  | uuuu uuuu  | uuuu uuuu                       |
| ALMRPT               | PIC18F2XJ50        | PIC18F4XJ50 | 0000 0000  | uuuu uuuu  | uuuu uuuu                       |
| ALRMVALH             | PIC18F2XJ50        | PIC18F4XJ50 | xxxx xxxxx   | uuuu uuuu  | uuuu uuuu                       |
| ALRMVALL             | PIC18F2XJ50        | PIC18F4XJ50 | xxxx xxxxx   | uuuu uuuu  | uuuu uuuu                       |
| LATE <sup>(5)</sup>  | —                  | PIC18F4XJ50 | ---- -xxx  | ---- -uuu  | ---- -uuu                       |
| LATD <sup>(5)</sup>  | —                  | PIC18F4XJ50 | xxxx xxxxx   | uuuu uuuu  | uuuu uuuu                       |
| LATC                 | PIC18F2XJ50        | PIC18F4XJ50 | xx-- -xxx  | uu-- -uuu  | uu-- -uuu                       |
| LATB                 | PIC18F2XJ50        | PIC18F4XJ50 | xxxx xxxxx   | uuuu uuuu  | uuuu uuuu                       |
| LATA                 | PIC18F2XJ50        | PIC18F4XJ50 | xxx- xxxxx   | uuu- uuuu  | uuu- uuuu                       |
| DMACON1              | PIC18F2XJ50        | PIC18F4XJ50 | 0000 0000  | 0000 0000  | uuuu uuuu                       |
| DMACON2              | PIC18F2XJ50        | PIC18F4XJ50 | 0000 0000  | 0000 0000  | uuuu uuuu                       |
| HLVDCON              | PIC18F2XJ50        | PIC18F4XJ50 | 0000 0000  | 0000 0000  | uuuu uuuu                       |
| PORTE <sup>(5)</sup> | —                  | PIC18F4XJ50 | 00-- -xxx  | uu-- -uuu  | uu-- -uuu                       |
| PORTD <sup>(5)</sup> | —                  | PIC18F4XJ50 | xxxx xxxxx   | uuuu uuuu  | uuuu uuuu                       |
| PORTC                | PIC18F2XJ50        | PIC18F4XJ50 | xxxx -xxx  | uuuu -uuu  | uuuu -uuu                       |
| PORTB                | PIC18F2XJ50        | PIC18F4XJ50 | xxxx xxxxx   | uuuu uuuu  | uuuu uuuu                       |
| PORTA                | PIC18F2XJ50        | PIC18F4XJ50 | xxx- xxxxx   | uuu- uuuu  | uuu- uuuu                       |
| SPBRGH1              | PIC18F2XJ50        | PIC18F4XJ50 | 0000 0000  | 0000 0000  | uuuu uuuu                       |

**Legend:** u = unchanged, x = unknown, - = unimplemented bit, read as '0', q = value depends on condition.

**Note 1:** When the wake-up is due to an interrupt and the GIEH (and GIEL if low priority) bit(s) are set, the TOSU, TOSH and TOSL are updated with the current value of the PC. The STKPTR is modified to point to the next location in the hardware stack.

**2:** When the wake-up is due to an interrupt and the GIEL or GIEH bit is set, the PC is loaded with the interrupt vector (0008h or 0018h).

**3:** One or more bits in the INTCONx or PIRx registers will be affected (to cause wake-up).

**4:** See [Table 5-1](#) for Reset value for specific condition.

**5:** Not implemented on PIC18F2XJ50 devices.

**6:** Not implemented on "LF" devices.



# PIC18F46J50 FAMILY

**TABLE 5-2: INITIALIZATION CONDITIONS FOR ALL REGISTERS (CONTINUED)**

| Register                | Applicable Devices |             | Power-on Reset,<br>Brown-out Reset,<br>Wake From Deep<br>Sleep | MCLR Resets<br>WDT Reset<br>RESET Instruction<br>Stack Resets<br>CM Resets | Wake-up via WDT<br>or Interrupt |
|-------------------------|--------------------|-------------|--|--|---------------------------------|
| BAUDCON1                | PIC18F2XJ50        | PIC18F4XJ50 | 0100 0-00  | 0100 0-00  | uuuu u-uu                       |
| SPBRGH2                 | PIC18F2XJ50        | PIC18F4XJ50 | 0000 0000  | 0000 0000  | uuuu uuuu                       |
| BAUDCON2                | PIC18F2XJ50        | PIC18F4XJ50 | 0100 0-00  | 0100 0-00  | uuuu u-uu                       |
| TMR3H                   | PIC18F2XJ50        | PIC18F4XJ50 | xxxx xxxx  | uuuu uuuu  | uuuu uuuu                       |
| TMR3L                   | PIC18F2XJ50        | PIC18F4XJ50 | xxxx xxxx  | uuuu uuuu  | uuuu uuuu                       |
| T3CON                   | PIC18F2XJ50        | PIC18F4XJ50 | 0000 0000  | uuuu uuuu  | uuuu uuuu                       |
| TMR4                    | PIC18F2XJ50        | PIC18F4XJ50 | 0000 0000  | uuuu uuuu  | uuuu uuuu                       |
| PR4                     | PIC18F2XJ50        | PIC18F4XJ50 | 1111 1111  | 1111 1111  | uuuu uuuu                       |
| T4CON                   | PIC18F2XJ50        | PIC18F4XJ50 | -000 0000  | -000 0000  | -uuu uuuu                       |
| SSP2BUF                 | PIC18F2XJ50        | PIC18F4XJ50 | xxxx xxxx  | uuuu uuuu  | uuuu uuuu                       |
| SSP2ADD                 | PIC18F2XJ50        | PIC18F4XJ50 | 0000 0000  | 0000 0000  | uuuu uuuu                       |
| SSP2MSK                 | PIC18F2XJ50        | PIC18F4XJ50 | 0000 0000  | 0000 0000  | uuuu uuuu                       |
| SSP2STAT                | PIC18F2XJ50        | PIC18F4XJ50 | 1111 1111  | 1111 1111  | uuuu uuuu                       |
| SSP2CON1                | PIC18F2XJ50        | PIC18F4XJ50 | 0000 0000  | 0000 0000  | uuuu uuuu                       |
| SSP2CON2                | PIC18F2XJ50        | PIC18F4XJ50 | 0000 0000  | 0000 0000  | uuuu uuuu                       |
| CMSTAT                  | PIC18F2XJ50        | PIC18F4XJ50 | ---- --11  | ---- --11  | ---- --uu                       |
| PMADDRH <sup>(5)</sup>  | —                  | PIC18F4XJ50 | -000 0000  | -000 0000  | -uuu uuuu                       |
| PMDOUT1H <sup>(5)</sup> | —                  | PIC18F4XJ50 | 0000 0000  | 0000 0000  | uuuu uuuu                       |
| PMADDRL <sup>(5)</sup>  | —                  | PIC18F4XJ50 | 0000 0000  | 0000 0000  | uuuu uuuu                       |
| PMDOUT1L <sup>(5)</sup> | —                  | PIC18F4XJ50 | 0000 0000  | 0000 0000  | uuuu uuuu                       |
| PMDIN1H <sup>(5)</sup>  | —                  | PIC18F4XJ50 | 0000 0000  | 0000 0000  | uuuu uuuu                       |
| PMDIN1L <sup>(5)</sup>  | —                  | PIC18F4XJ50 | 0000 0000  | 0000 0000  | uuuu uuuu                       |
| TXADDRL                 | PIC18F2XJ50        | PIC18F4XJ50 | 0000 0000  | 0000 0000  | uuuu uuuu                       |
| TXADDRH                 | PIC18F2XJ50        | PIC18F4XJ50 | ---- 0000  | ---- 0000  | ---- uuuu                       |
| RXADDRL                 | PIC18F2XJ50        | PIC18F4XJ50 | 0000 0000  | 0000 0000  | uuuu uuuu                       |
| RXADDRH                 | PIC18F2XJ50        | PIC18F4XJ50 | ---- 0000  | ---- 0000  | ---- uuuu                       |
| DMABCL                  | PIC18F2XJ50        | PIC18F4XJ50 | 0000 0000  | 0000 0000  | uuuu uuuu                       |
| DMABCH                  | PIC18F2XJ50        | PIC18F4XJ50 | ---- --00  | ---- --00  | ---- --uu                       |
| UCON                    | PIC18F2XJ50        | PIC18F4XJ50 | -0x0 000-  | -0x0 000-  | -uuu uu-                        |
| USTAT                   | PIC18F2XJ50        | PIC18F4XJ50 | -xxx xxx-  | -xxx xxx-  | -uuu uu-                        |
| UEIR                    | PIC18F2XJ50        | PIC18F4XJ50 | 0--0 0000  | 0--0 0000  | u--u uuuu                       |
| UIR                     | PIC18F2XJ50        | PIC18F4XJ50 | -000 0000  | -000 0000  | -uuu uuuu                       |

**Legend:** u = unchanged, x = unknown, - = unimplemented bit, read as '0', q = value depends on condition.

- Note 1:** When the wake-up is due to an interrupt and the GIEH (and GIEL if low priority) bit(s) are set, the TOSU, TOSH and TOSL are updated with the current value of the PC. The STKPTR is modified to point to the next location in the hardware stack.
- 2:** When the wake-up is due to an interrupt and the GIEL or GIEH bit is set, the PC is loaded with the interrupt vector (0008h or 0018h).
- 3:** One or more bits in the INTCONx or PIRx registers will be affected (to cause wake-up).
- 4:** See [Table 5-1](#) for Reset value for specific condition.
- 5:** Not implemented on PIC18F2XJ50 devices.
- 6:** Not implemented on "LF" devices.

# PIC18F46J50 FAMILY

**TABLE 5-2: INITIALIZATION CONDITIONS FOR ALL REGISTERS (CONTINUED)**

| Register                | Applicable Devices |             | Power-on Reset,<br>Brown-out Reset,<br>Wake From Deep<br>Sleep | MCLR Resets<br>WDT Reset<br>RESET Instruction<br>Stack Resets<br>CM Resets | Wake-up via WDT<br>or Interrupt |
|-------------------------|--------------------|-------------|--|--|---------------------------------|
| UFRMH                   | PIC18F2XJ50        | PIC18F4XJ50 | ---- -xxx  | ---- -xxx  | ---- -uuu                       |
| UFRML                   | PIC18F2XJ50        | PIC18F4XJ50 | xxxx xxxx  | xxxxx xxxx   | uuuu uuuu                       |
| PMCONH <sup>(5)</sup>   | —                  | PIC18F4XJ50 | 0--0 0000  | 0--0 0000  | u--u uuuu                       |
| PMCONL <sup>(5)</sup>   | —                  | PIC18F4XJ50 | 000- 0000  | 000- 0000  | uuu- uuuu                       |
| PMMODEH <sup>(5)</sup>  | —                  | PIC18F4XJ50 | 0000 0000  | 0000 0000  | uuuu uuuu                       |
| PMMODEL <sup>(5)</sup>  | —                  | PIC18F4XJ50 | 0000 0000  | 0000 0000  | uuuu uuuu                       |
| PMDOUT2H <sup>(5)</sup> | —                  | PIC18F4XJ50 | 0000 0000  | 0000 0000  | uuuu uuuu                       |
| PMDOUT2L <sup>(5)</sup> | —                  | PIC18F4XJ50 | 0000 0000  | 0000 0000  | uuuu uuuu                       |
| PMDIN2H <sup>(5)</sup>  | —                  | PIC18F4XJ50 | 0000 0000  | 0000 0000  | uuuu uuuu                       |
| PMDIN2L <sup>(5)</sup>  | —                  | PIC18F4XJ50 | 0000 0000  | 0000 0000  | uuuu uuuu                       |
| PMEH <sup>(5)</sup>     | —                  | PIC18F4XJ50 | 0000 0000  | 0000 0000  | uuuu uuuu                       |
| PMEL <sup>(5)</sup>     | —                  | PIC18F4XJ50 | 0000 0000  | 0000 0000  | uuuu uuuu                       |
| PMSTATH                 | —                  | PIC18F4XJ50 | 00-- 0000  | 00-- 0000  | uu-- uuuu                       |
| PMSTATL                 | —                  | PIC18F4XJ50 | 10-- 1111  | 10-- 1111  | uu-- uuuu                       |
| CVRCON                  | PIC18F2XJ50        | PIC18F4XJ50 | 0000 0000  | 0000 0000  | uuuu uuuu                       |
| TCLKCON                 | PIC18F2XJ50        | PIC18F4XJ50 | ---0 --00  | ---0 --uu  | ---u --uu                       |
| DSGPR1 <sup>(6)</sup>   | PIC18F2XJ50        | PIC18F4XJ50 | uuuu uuuu  | uuuu uuuu  | uuuu uuuu                       |
| DSGPR0 <sup>(6)</sup>   | PIC18F2XJ50        | PIC18F4XJ50 | uuuu uuuu  | uuuu uuuu  | uuuu uuuu                       |
| DSCONH <sup>(6)</sup>   | PIC18F2XJ50        | PIC18F4XJ50 | 0--- -000  | 0--- -uuu  | u--- -uuu                       |
| DSCONL <sup>(6)</sup>   | PIC18F2XJ50        | PIC18F4XJ50 | ---- -000  | ---- -u00  | ---- -uuu                       |
| DSWAKEH <sup>(6)</sup>  | PIC18F2XJ50        | PIC18F4XJ50 | ---- ---0  | ---- ---0  | ---- ---u                       |
| DSWAKEL <sup>(6)</sup>  | PIC18F2XJ50        | PIC18F4XJ50 | 0-00 00-1  | 0-00 00-0  | u-uu uu-u                       |
| ANCON1                  | PIC18F2XJ50        | PIC18F4XJ50 | 00-0 0000  | 00-0 0000  | uu-u uuuu                       |
| ANCON0                  | PIC18F2XJ50        | PIC18F4XJ50 | 0000 0000  | 0000 0000  | uuuu uuuu                       |
| ODCON1                  | PIC18F2XJ50        | PIC18F4XJ50 | ---- --00  | ---- --uu  | ---- --uu                       |
| ODCON2                  | PIC18F2XJ50        | PIC18F4XJ50 | ---- --00  | ---- --uu  | ---- --uu                       |
| ODCON3                  | PIC18F2XJ50        | PIC18F4XJ50 | ---- --00  | ---- --uu  | ---- --uu                       |
| RTCCFG                  | PIC18F2XJ50        | PIC18F4XJ50 | 0-00 0000  | u-uu uuuu  | u-uu uuuu                       |
| RTCCAL                  | PIC18F2XJ50        | PIC18F4XJ50 | 0000 0000  | uuuu uuuu  | uuuu uuuu                       |
| REFOCON                 | PIC18F2XJ50        | PIC18F4XJ50 | 0-00 0000  | 0-00 0000  | u-uu uuuu                       |
| PADCFG1                 | PIC18F2XJ50        | PIC18F4XJ50 | ---- -000  | ---- -000  | ---- -uuu                       |
| UCFG                    | PIC18F2XJ50        | PIC18F4XJ50 | 00-0 0000  | 00-0 0000  | uu-u uuuu                       |

**Legend:** u = unchanged, x = unknown, - = unimplemented bit, read as '0', q = value depends on condition.

**Note 1:** When the wake-up is due to an interrupt and the GIEH (and GIEL if low priority) bit(s) are set, the TOSU, TOSH and TOSL are updated with the current value of the PC. The STKPTR is modified to point to the next location in the hardware stack.

**2:** When the wake-up is due to an interrupt and the GIEL or GIEH bit is set, the PC is loaded with the interrupt vector (0008h or 0018h).

**3:** One or more bits in the INTCONx or PIRx registers will be affected (to cause wake-up).

**4:** See [Table 5-1](#) for Reset value for specific condition.

**5:** Not implemented on PIC18F2XJ50 devices.

**6:** Not implemented on "LF" devices.

# PIC18F46J50 FAMILY

**TABLE 5-2: INITIALIZATION CONDITIONS FOR ALL REGISTERS (CONTINUED)**

| Register | Applicable Devices |             | Power-on Reset,<br>Brown-out Reset,<br>Wake From Deep<br>Sleep | MCLR Resets<br>WDT Reset<br>RESET Instruction<br>Stack Resets<br>CM Resets | Wake-up via WDT<br>or Interrupt |
|----------|--------------------|-------------|--|--|---------------------------------|
| UADDR    | PIC18F2XJ50        | PIC18F4XJ50 | -000 0000  | -uuu uuuu  | -uuu uuuu                       |
| UEIE     | PIC18F2XJ50        | PIC18F4XJ50 | 0--0 0000  | 0--0 0000  | u--u uuuu                       |
| UIE      | PIC18F2XJ50        | PIC18F4XJ50 | -000 0000  | -000 0000  | -uuu uuuu                       |
| UEP15    | PIC18F2XJ50        | PIC18F4XJ50 | ---0 0000  | ---0 0000  | ---u uuuu                       |
| UEP14    | PIC18F2XJ50        | PIC18F4XJ50 | ---0 0000  | ---0 0000  | ---u uuuu                       |
| UEP13    | PIC18F2XJ50        | PIC18F4XJ50 | ---0 0000  | ---0 0000  | ---u uuuu                       |
| UEP12    | PIC18F2XJ50        | PIC18F4XJ50 | ---0 0000  | ---0 0000  | ---u uuuu                       |
| UEP11    | PIC18F2XJ50        | PIC18F4XJ50 | ---0 0000  | ---0 0000  | ---u uuuu                       |
| UEP10    | PIC18F2XJ50        | PIC18F4XJ50 | ---0 0000  | ---0 0000  | ---u uuuu                       |
| UEP9     | PIC18F2XJ50        | PIC18F4XJ50 | ---0 0000  | ---0 0000  | ---u uuuu                       |
| UEP8     | PIC18F2XJ50        | PIC18F4XJ50 | ---0 0000  | ---0 0000  | ---u uuuu                       |
| UEP7     | PIC18F2XJ50        | PIC18F4XJ50 | ---0 0000  | ---0 0000  | ---u uuuu                       |
| UEP6     | PIC18F2XJ50        | PIC18F4XJ50 | ---0 0000  | ---0 0000  | ---u uuuu                       |
| UEP5     | PIC18F2XJ50        | PIC18F4XJ50 | ---0 0000  | ---0 0000  | ---u uuuu                       |
| UEP4     | PIC18F2XJ50        | PIC18F4XJ50 | ---0 0000  | ---0 0000  | ---u uuuu                       |
| UEP3     | PIC18F2XJ50        | PIC18F4XJ50 | ---0 0000  | ---0 0000  | ---u uuuu                       |
| UEP2     | PIC18F2XJ50        | PIC18F4XJ50 | ---0 0000  | ---0 0000  | ---u uuuu                       |
| UEP1     | PIC18F2XJ50        | PIC18F4XJ50 | ---0 0000  | ---0 0000  | ---u uuuu                       |
| UEP0     | PIC18F2XJ50        | PIC18F4XJ50 | ---0 0000  | ---0 0000  | ---u uuuu                       |
| PPSCON   | PIC18F2XJ50        | PIC18F4XJ50 | ---- --0   | ---- --0   | ---- --u                        |
| RPINR24  | PIC18F2XJ50        | PIC18F4XJ50 | ---1 1111  | ---1 1111  | ---u uuuu                       |
| RPINR23  | PIC18F2XJ50        | PIC18F4XJ50 | ---1 1111  | ---1 1111  | ---u uuuu                       |
| RPINR22  | PIC18F2XJ50        | PIC18F4XJ50 | ---1 1111  | ---1 1111  | ---u uuuu                       |
| RPINR21  | PIC18F2XJ50        | PIC18F4XJ50 | ---1 1111  | ---1 1111  | ---u uuuu                       |
| RPINR17  | PIC18F2XJ50        | PIC18F4XJ50 | ---1 1111  | ---1 1111  | ---u uuuu                       |
| RPINR16  | PIC18F2XJ50        | PIC18F4XJ50 | ---1 1111  | ---1 1111  | ---u uuuu                       |
| RPINR13  | PIC18F2XJ50        | PIC18F4XJ50 | ---1 1111  | ---1 1111  | ---u uuuu                       |
| RPINR12  | PIC18F2XJ50        | PIC18F4XJ50 | ---1 1111  | ---1 1111  | ---u uuuu                       |
| RPINR8   | PIC18F2XJ50        | PIC18F4XJ50 | ---1 1111  | ---1 1111  | ---u uuuu                       |
| RPINR7   | PIC18F2XJ50        | PIC18F4XJ50 | ---1 1111  | ---1 1111  | ---u uuuu                       |
| RPINR6   | PIC18F2XJ50        | PIC18F4XJ50 | ---1 1111  | ---1 1111  | ---u uuuu                       |
| RPINR4   | PIC18F2XJ50        | PIC18F4XJ50 | ---1 1111  | ---1 1111  | ---u uuuu                       |

**Legend:** u = unchanged, x = unknown, - = unimplemented bit, read as '0', q = value depends on condition.

- Note 1:** When the wake-up is due to an interrupt and the GIEH (and GIEL if low priority) bit(s) are set, the TOSU, TOSH and TOSL are updated with the current value of the PC. The STKPTR is modified to point to the next location in the hardware stack.
- 2:** When the wake-up is due to an interrupt and the GIEL or GIEH bit is set, the PC is loaded with the interrupt vector (0008h or 0018h).
- 3:** One or more bits in the INTCONx or PIRx registers will be affected (to cause wake-up).
- 4:** See [Table 5-1](#) for Reset value for specific condition.
- 5:** Not implemented on PIC18F2XJ50 devices.
- 6:** Not implemented on "LF" devices.

# PIC18F46J50 FAMILY

**TABLE 5-2: INITIALIZATION CONDITIONS FOR ALL REGISTERS (CONTINUED)**

| Register | Applicable Devices |             | Power-on Reset,<br>Brown-out Reset,<br>Wake From Deep<br>Sleep | MCLR Resets<br>WDT Reset<br>RESET Instruction<br>Stack Resets<br>CM Resets | Wake-up via WDT<br>or Interrupt |
|----------|--------------------|-------------|--|--|---------------------------------|
| RPINR3   | PIC18F2XJ50        | PIC18F4XJ50 | ---1 1111  | ---1 1111  | ---u uuuu                       |
| RPINR2   | PIC18F2XJ50        | PIC18F4XJ50 | ---1 1111  | ---1 1111  | ---u uuuu                       |
| RPINR1   | PIC18F2XJ50        | PIC18F4XJ50 | ---1 1111  | ---1 1111  | ---u uuuu                       |
| RPOR24   | PIC18F2XJ50        | PIC18F4XJ50 | ---0 0000  | ---0 0000  | ---u uuuu                       |
| RPOR23   | PIC18F2XJ50        | PIC18F4XJ50 | ---0 0000  | ---0 0000  | ---u uuuu                       |
| RPOR22   | PIC18F2XJ50        | PIC18F4XJ50 | ---0 0000  | ---0 0000  | ---u uuuu                       |
| RPOR21   | PIC18F2XJ50        | PIC18F4XJ50 | ---0 0000  | ---0 0000  | ---u uuuu                       |
| RPOR20   | PIC18F2XJ50        | PIC18F4XJ50 | ---0 0000  | ---0 0000  | ---u uuuu                       |
| RPOR19   | PIC18F2XJ50        | PIC18F4XJ50 | ---0 0000  | ---0 0000  | ---u uuuu                       |
| RPOR18   | PIC18F2XJ50        | PIC18F4XJ50 | ---0 0000  | ---0 0000  | ---u uuuu                       |
| RPOR17   | PIC18F2XJ50        | PIC18F4XJ50 | ---0 0000  | ---0 0000  | ---u uuuu                       |
| RPOR13   | PIC18F2XJ50        | PIC18F4XJ50 | ---0 0000  | ---0 0000  | ---u uuuu                       |
| RPOR12   | PIC18F2XJ50        | PIC18F4XJ50 | ---0 0000  | ---0 0000  | ---u uuuu                       |
| RPOR11   | PIC18F2XJ50        | PIC18F4XJ50 | ---0 0000  | ---0 0000  | ---u uuuu                       |
| RPOR10   | PIC18F2XJ50        | PIC18F4XJ50 | ---0 0000  | ---0 0000  | ---u uuuu                       |
| RPOR9    | PIC18F2XJ50        | PIC18F4XJ50 | ---0 0000  | ---0 0000  | ---u uuuu                       |
| RPOR8    | PIC18F2XJ50        | PIC18F4XJ50 | ---0 0000  | ---0 0000  | ---u uuuu                       |
| RPOR7    | PIC18F2XJ50        | PIC18F4XJ50 | ---0 0000  | ---0 0000  | ---u uuuu                       |
| RPOR6    | PIC18F2XJ50        | PIC18F4XJ50 | ---0 0000  | ---0 0000  | ---u uuuu                       |
| RPOR5    | PIC18F2XJ50        | PIC18F4XJ50 | ---0 0000  | ---0 0000  | ---u uuuu                       |
| RPOR4    | PIC18F2XJ50        | PIC18F4XJ50 | ---0 0000  | ---0 0000  | ---u uuuu                       |
| RPOR3    | PIC18F2XJ50        | PIC18F4XJ50 | ---0 0000  | ---0 0000  | ---u uuuu                       |
| RPOR2    | PIC18F2XJ50        | PIC18F4XJ50 | ---0 0000  | ---0 0000  | ---u uuuu                       |
| RPOR1    | PIC18F2XJ50        | PIC18F4XJ50 | ---0 0000  | ---0 0000  | ---u uuuu                       |
| RPOR0    | PIC18F2XJ50        | PIC18F4XJ50 | ---0 0000  | ---0 0000  | ---u uuuu                       |

**Legend:** u = unchanged, x = unknown, - = unimplemented bit, read as '0', q = value depends on condition.

**Note 1:** When the wake-up is due to an interrupt and the GIEH (and GIEL if low priority) bit(s) are set, the TOSU, TOSH and TOSL are updated with the current value of the PC. The STKPTR is modified to point to the next location in the hardware stack.

- 2: When the wake-up is due to an interrupt and the GIEL or GIEH bit is set, the PC is loaded with the interrupt vector (0008h or 0018h).
- 3: One or more bits in the INTCONx or PIRx registers will be affected (to cause wake-up).
- 4: See [Table 5-1](#) for Reset value for specific condition.
- 5: Not implemented on PIC18F2XJ50 devices.
- 6: Not implemented on "LF" devices.

# PIC18F46J50 FAMILY

## 6.0 MEMORY ORGANIZATION

There are two types of memory in PIC18 Flash microcontrollers:

- Program Memory
- Data RAM

As Harvard architecture devices, the data and program memories use separate busses; this allows for concurrent access of the two memory spaces.

**Section 7.0 “Flash Program Memory”** provides additional information on the operation of the Flash program memory.

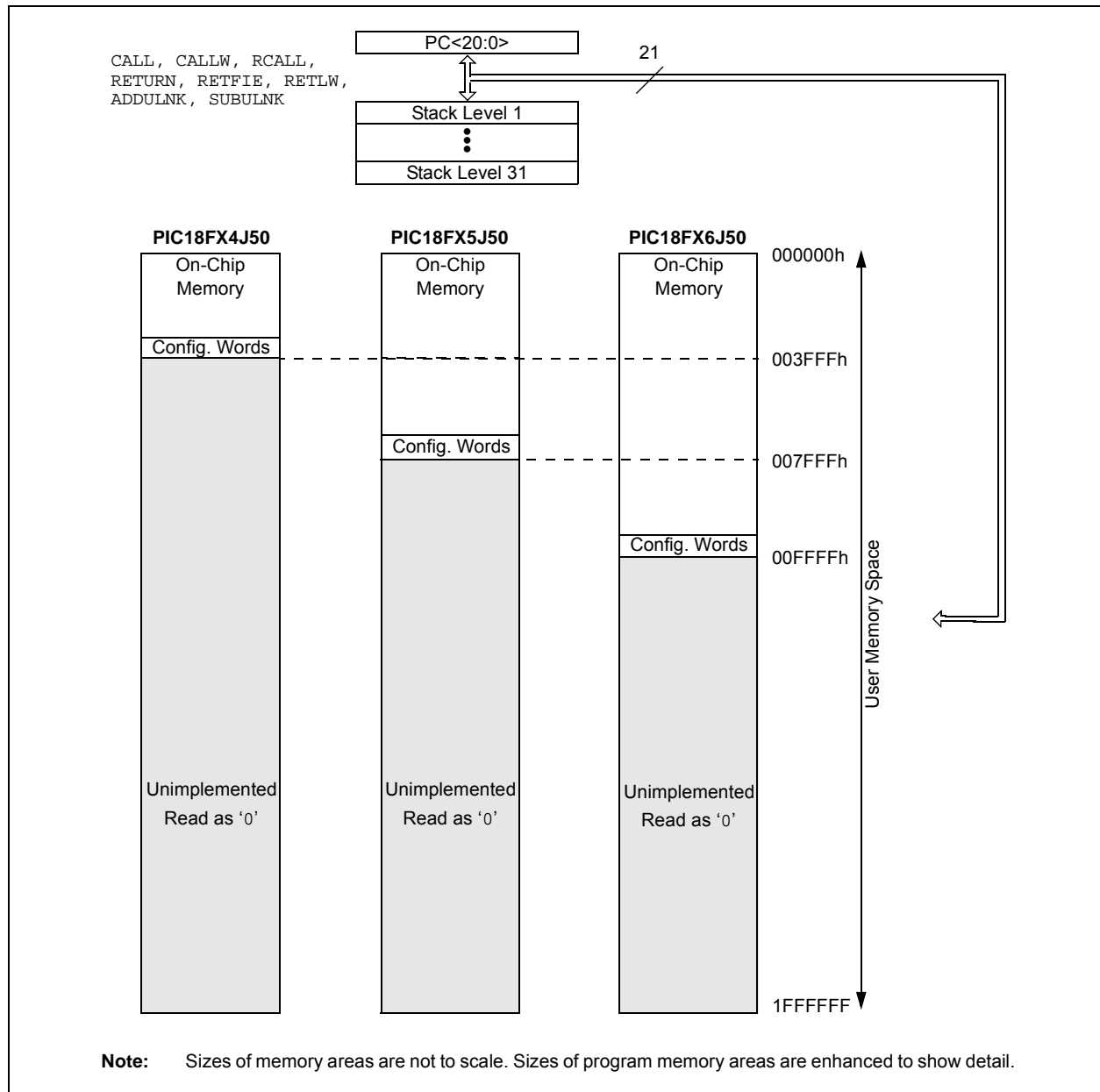
## 6.1 Program Memory Organization

PIC18 microcontrollers implement a 21-bit Program Counter, which is capable of addressing a 2-Mbyte program memory space. Accessing a location between the upper boundary of the physically implemented memory and the 2-Mbyte address returns all '0's (a NOP instruction).

The PIC18F46J50 family offers a range of on-chip Flash program memory sizes, from 16 Kbytes (up to 8,192 single-word instructions) to 64 Kbytes (32,768 single-word instructions).

**Figure 6-1** provides the program memory maps for individual family devices.

**FIGURE 6-1: MEMORY MAPS FOR PIC18F46J50 FAMILY DEVICES**



# PIC18F46J50 FAMILY

## 6.1.1 HARD MEMORY VECTORS

All PIC18 devices have a total of three hard-coded return vectors in their program memory space. The Reset vector address is the default value to which the Program Counter returns on all device Resets; it is located at 0000h.

PIC18 devices also have two interrupt vector addresses for handling high-priority and low-priority interrupts. The high-priority interrupt vector is located at 0008h and the low-priority interrupt vector at 0018h. [Figure 6-2](#) provides their locations in relation to the program memory map.

**FIGURE 6-2: HARD VECTOR AND CONFIGURATION WORD LOCATIONS FOR PIC18F46J50 FAMILY DEVICES**



## 6.1.2 FLASH CONFIGURATION WORDS

Because PIC18F46J50 family devices do not have persistent configuration memory, the top four words of on-chip program memory are reserved for configuration information. On Reset, the configuration information is copied into the Configuration registers.

The Configuration Words are stored in their program memory location in numerical order, starting with the lower byte of CONFIG1 at the lowest address and ending with the upper byte of CONFIG4.

[Table 6-1](#) provides the actual addresses of the Flash Configuration Word for devices in the PIC18F46J50 family. [Figure 6-2](#) displays their location in the memory map with other memory vectors.

Additional details on the device Configuration Words are provided in [Section 27.1 “Configuration Bits”](#).

**TABLE 6-1: FLASH CONFIGURATION WORD FOR PIC18F46J50 FAMILY DEVICES**

| Device      | Program Memory (Kbytes) | Configuration Word Addresses |
|-------------|-------------------------|------------------------------|
| PIC18F24J50 | 16                      | 3FF8h to 3FFFh               |
| PIC18F44J50 |                         |                              |
| PIC18F25J50 | 32                      | 7FF8h to 7FFFh               |
| PIC18F45J50 |                         |                              |
| PIC18F26J50 | 64                      | FFF8h to FFFFh               |
| PIC18F46J50 |                         |                              |

## 6.1.3 PROGRAM COUNTER

The Program Counter (PC) specifies the address of the instruction to fetch for execution. The PC is 21 bits wide and is contained in three separate 8-bit registers. The low byte, known as the PCL register, is both readable and writable. The high byte, or PCH register, contains the PC<15:8> bits; it is not directly readable or writable. Updates to the PCH register are performed through the PCLATH register. The upper byte is called PCU. This register contains the PC<20:16> bits; it is also not directly readable or writable. Updates to the PCU register are performed through the PCLATU register.

The contents of PCLATH and PCLATU are transferred to the Program Counter by any operation that writes to PCL. Similarly, the upper 2 bytes of the Program Counter are transferred to PCLATH and PCLATU by an operation that reads PCL. This is useful for computed offsets to the PC (see [Section 6.1.6.1 “Computed GOTO”](#)).

The PC addresses bytes in the program memory. To prevent the PC from becoming misaligned with word instructions, the Least Significant bit (LSb) of PCL is fixed to a value of ‘0’. The PC increments by two to address sequential instructions in the program memory.

The CALL, RCALL, GOTO and program branch instructions write to the Program Counter directly. For these instructions, the contents of PCLATH and PCLATU are not transferred to the Program Counter.

## 6.1.4 RETURN ADDRESS STACK

The return address stack allows any combination of up to 31 program calls and interrupts to occur. The PC is pushed onto the stack when a CALL or RCALL instruction is executed, or an interrupt is Acknowledged. The PC value is pulled off of the stack on a RETURN, RETLW or a RETFIE instruction (and on ADDULNK and SUBULNK instructions if the extended instruction set is enabled). PCLATU and PCLATH are not affected by any of the RETURN or CALL instructions.

The stack operates as a 31-word by 21-bit RAM and a 5-bit Stack Pointer (SP), STKPTR. The stack space is not part of either program or data space. The Stack Pointer is readable and writable and the address on the top of the stack is readable and writable through the Top-of-Stack Special Function Registers (SFRs). Data can also be pushed to, or popped from the stack, using these registers.

A CALL type instruction causes a push onto the stack. The Stack Pointer is first incremented and the location pointed to by the Stack Pointer is written with the contents of the PC (already pointing to the instruction following the CALL). A RETURN type instruction causes a pop from the stack. The contents of the location pointed to by the STKPTR are transferred to the PC and then the Stack Pointer is decremented.

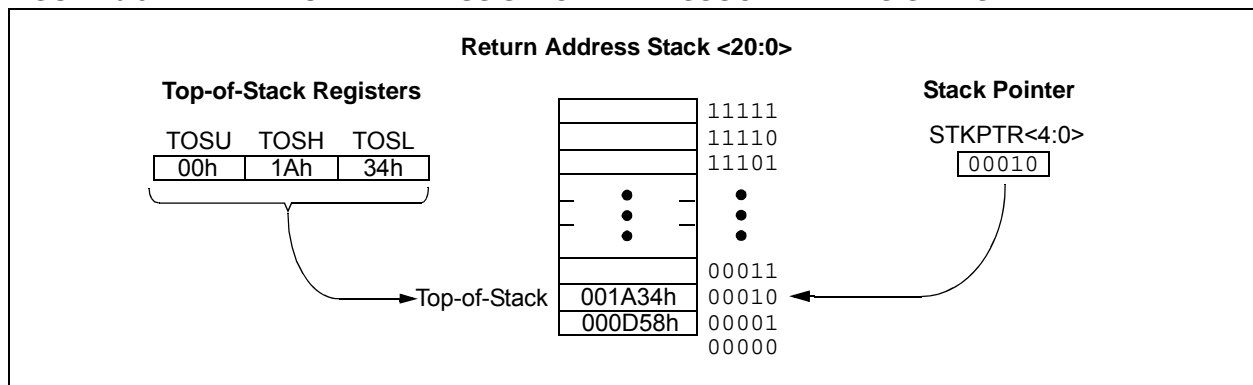
The Stack Pointer is initialized to ‘00000’ after all Resets. There is no RAM associated with the location corresponding to a Stack Pointer value of ‘00000’; this is only a Reset value. Status bits indicate if the stack is full, has overflowed or has underflowed.

### 6.1.4.1 Top-of-Stack Access

Only the top of the return address stack (TOS) is readable and writable. A set of three registers, TOSU:TOSH:TOSL, holds the contents of the stack location pointed to by the STKPTR register ([Figure 6-3](#)). This allows users to implement a software stack if necessary. After a CALL, RCALL or interrupt (and ADDULNK and SUBULNK instructions if the extended instruction set is enabled), the software can read the pushed value by reading the TOSU:TOSH:TOSL registers. These values can be placed on a user-defined software stack. At return time, the software can return these values to TOSU:TOSH:TOSL and do a return.

The user must disable the Global Interrupt Enable bits while accessing the stack to prevent inadvertent stack corruption.

**FIGURE 6-3: RETURN ADDRESS STACK AND ASSOCIATED REGISTERS**



# PIC18F46J50 FAMILY

## 6.1.4.2 Return Stack Pointer (STKPTR)

The STKPTR register (Register 6-1) contains the Stack Pointer value, the STKFUL (Stack Full) and the STKUNF (Stack Underflow) status bits. The value of the Stack Pointer can be 0 through 31. The Stack Pointer increments before values are pushed onto the stack and decrements after values are popped off the stack. On Reset, the Stack Pointer value will be zero. The user may read and write the Stack Pointer value. This feature can be used by a Real-Time Operating System (RTOS) for return stack maintenance.

After the PC is pushed onto the stack 31 times (without popping any values off the stack), the STKFUL bit is set. The STKFUL bit is cleared by software or by a Power-on Reset (POR).

The action that takes place when the stack becomes full depends on the state of the Stack Overflow Reset Enable (STVREN) Configuration bit.

Refer to Section 27.1 “Configuration Bits” for device Configuration bits’ description.

If STVREN is set (default), the 31<sup>st</sup> push will push the (PC + 2) value onto the stack, set the STKFUL bit and reset the device. The STKFUL bit will remain set and the Stack Pointer will be set to zero.

If STVREN is cleared, the STKFUL bit will be set on the 31<sup>st</sup> push and the Stack Pointer will increment to 31. Any additional pushes will not overwrite the 31<sup>st</sup> push and the STKPTR will remain at 31.

When the stack has been popped enough times to unload the stack, the next pop will return zero to the PC and set the STKUNF bit, while the Stack Pointer remains at zero. The STKUNF bit will remain set until cleared by software or until a POR occurs.

**Note:** Returning a value of zero to the PC on an underflow has the effect of vectoring the program to the Reset vector, where the stack conditions can be verified and appropriate actions can be taken. This is not the same as a Reset, as the contents of the SFRs are not affected.

## 6.1.4.3 PUSH and POP Instructions

Since the Top-of-Stack is readable and writable, the ability to push values onto the stack and pull values off the stack, without disturbing normal program execution is necessary. The PIC18 instruction set includes two instructions, PUSH and POP, that permit the TOS to be manipulated under software control. TOSU, TOSH and TOSL can be modified to place data or a return address on the stack.

The PUSH instruction places the current PC value onto the stack. This increments the Stack Pointer and loads the current PC value onto the stack.

The POP instruction discards the current TOS by decrementing the Stack Pointer. The previous value pushed onto the stack then becomes the TOS value.

## REGISTER 6-1: STKPTR: STACK POINTER REGISTER (ACCESS FFCh)

|                       |                       |     |       |       |       |       |       |
|-----------------------|-----------------------|-----|-------|-------|-------|-------|-------|
| R/C-0                 | R/C-0                 | U-0 | R/W-0 | R/W-0 | R/W-0 | R/W-0 | R/W-0 |
| STKFUL <sup>(1)</sup> | STKUNF <sup>(1)</sup> | —   | SP4   | SP3   | SP2   | SP1   | SP0   |
| bit 7                 |                       |     |       |       |       |       | bit 0 |

|                   |                   |                                    |
|-------------------|-------------------|------------------------------------|
| <b>Legend:</b>    | C = Clearable bit | U = Unimplemented bit, read as ‘0’ |
| R = Readable bit  | W = Writable bit  | ‘0’ = Bit is cleared               |
| -n = Value at POR | ‘1’ = Bit is set  | x = Bit is unknown                 |

- bit 7      **STKFUL:** Stack Full Flag bit<sup>(1)</sup>  
             1 = Stack became full or overflowed  
             0 = Stack has not become full or overflowed
- bit 6      **STKUNF:** Stack Underflow Flag bit<sup>(1)</sup>  
             1 = Stack underflow occurred  
             0 = Stack underflow did not occur
- bit 5      **Unimplemented:** Read as ‘0’
- bit 4-0    **SP<4:0>:** Stack Pointer Location bits

**Note 1:** Bits 7 and 6 are cleared by user software or by a POR.



## 6.1.4.4 Stack Full and Underflow Resets

Device Resets on stack overflow and stack underflow conditions are enabled by setting the STVREN bit in Configuration Register 1L. When STVREN is set, a full or underflow condition sets the appropriate STKFUL or STKUNF bit and then causes a device Reset. When STVREN is cleared, a full or underflow condition sets the appropriate STKFUL or STKUNF bit, but does not cause a device Reset. The STKFUL or STKUNF bits are cleared by the user software or a POR.

## 6.1.5 FAST REGISTER STACK (FRS)

A Fast Register Stack (FRS) is provided for the STATUS, WREG and BSR registers to provide a “fast return” option for interrupts. This stack is only one level deep and is neither readable nor writable. It is loaded with the current value of the corresponding register when the processor vectors for an interrupt. All interrupt sources push values into the Stack registers. The values in the registers are then loaded back into the working registers if the RETFIE, FAST instruction is used to return from the interrupt.

If both low-priority and high-priority interrupts are enabled, the Stack registers cannot be used reliably to return from low-priority interrupts. If a high-priority interrupt occurs while servicing a low-priority interrupt, the Stack register values stored by the low-priority interrupt will be overwritten. In these cases, users must save the key registers in software during a low-priority interrupt.

If interrupt priority is not used, all interrupts may use the FRS for returns from interrupt. If no interrupts are used, the FRS can be used to restore the STATUS, WREG and BSR registers at the end of a subroutine call. To use the Fast Register Stack for a subroutine call, a CALL label, FAST instruction must be executed to save the STATUS, WREG and BSR registers to the Fast Register Stack. A RETURN, FAST instruction is then executed to restore these registers from the FRS.

[Example 6-1](#) provides a source code example that uses the FRS during a subroutine call and return.

### EXAMPLE 6-1: FAST REGISTER STACK CODE EXAMPLE

```
CALL SUB1, FAST      ;STATUS, WREG, BSR
                    ;SAVED IN FAST REGISTER
                    ;STACK
                    .
                    .
SUB1                 .
                    .
RETURN FAST         ;RESTORE VALUES SAVED
                    ;IN FAST REGISTER STACK
```

## 6.1.6 LOOK-UP TABLES IN PROGRAM MEMORY

There may be programming situations that require the creation of data structures or look-up tables in program memory. For PIC18 devices, look-up tables can be implemented in two ways:

- Computed GOTO
- Table Reads

### 6.1.6.1 Computed GOTO

A computed GOTO is accomplished by adding an offset to the PC. An example is shown in [Example 6-2](#).

A look-up table can be formed with an ADDWF PCL instruction and a group of RETLW nn instructions. The W register is loaded with an offset into the table before executing a call to that table. The first instruction of the called routine is the ADDWF PCL instruction. The next executed instruction will be one of the RETLW nn instructions that returns the value, ‘nn’, to the calling function.

The offset value (in WREG) specifies the number of bytes that the PC should advance and should be multiples of 2 (LSb = 0).

In this method, only one byte may be stored in each instruction location, room on the return address stack is required.

### EXAMPLE 6-2: COMPUTED GOTO USING AN OFFSET VALUE

```
MOVWF OFFSET, W
CALL TABLE
ORG nn00h
TABLE ADDWF PCL
      RETLW nnh
      RETLW nnh
      RETLW nnh
      .
      .
      .
```

### 6.1.6.2 Table Reads

A better method of storing data in program memory allows two bytes to be stored in each instruction location.

Look-up table data may be stored two bytes per program word while programming. The Table Pointer (TBLPTR) specifies the byte address, and the Table Latch (TABLAT) contains the data that is read from the program memory. Data is transferred from program memory one byte at a time.

Table read operation is discussed further in [Section 7.1 “Table Reads and Table Writes”](#).

# PIC18F46J50 FAMILY

## 6.2 PIC18 Instruction Cycle

### 6.2.1 CLOCKING SCHEME

The microcontroller clock input, whether from an internal or external source, is internally divided by four to generate four non-overlapping quadrature clocks (Q1, Q2, Q3 and Q4). Internally, the PC is incremented on every Q1; the instruction is fetched from the program memory and latched into the Instruction Register (IR) during Q4. The instruction is decoded and executed during the following Q1 through Q4. Figure 6-4 illustrates the clocks and instruction execution flow.

### 6.2.2 INSTRUCTION FLOW/PIPELINING

An “Instruction Cycle” consists of four Q cycles, Q1 through Q4. The instruction fetch and execute are pipelined in such a manner that a fetch takes one instruction cycle, while the decode and execute takes another instruction cycle. However, due to the pipelining, each instruction effectively executes in one cycle. If an instruction causes the PC to change (e.g., GOTO), then two cycles are required to complete the instruction (Example 6-3).

A fetch cycle begins with the PC incrementing in Q1.

In the execution cycle, the fetched instruction is latched into the IR in the Q1 cycle. This instruction is then decoded and executed during the Q2, Q3 and Q4 cycles. Data memory is read during Q2 (operand read) and written during Q4 (destination write).

**FIGURE 6-4: CLOCK/INSTRUCTION CYCLE**



**EXAMPLE 6-3: INSTRUCTION PIPELINE FLOW**



# PIC18F46J50 FAMILY

## 6.2.3 INSTRUCTIONS IN PROGRAM MEMORY

The program memory is addressed in bytes. Instructions are stored as 2 bytes or 4 bytes in program memory. The Least Significant Byte (LSB) of an instruction word is always stored in a program memory location with an even address (LSB = 0). To maintain alignment with instruction boundaries, the PC increments in steps of 2 and the LSB will always read '0' (see [Section 6.1.3 "Program Counter"](#)).

[Figure 6-5](#) provides an example of how instruction words are stored in the program memory.

The CALL and GOTO instructions have the absolute program memory address embedded into the instruction. Since instructions are always stored on word boundaries, the data contained in the instruction is a word address. The word address is written to PC<20:1>, which accesses the desired byte address in program memory. Instruction #2 in [Figure 6-5](#) displays how the instruction, GOTO 0006h, is encoded in the program memory. Program branch instructions, which encode a relative address offset, operate in the same manner. The offset value stored in a branch instruction represents the number of single-word instructions that the PC will be offset by. [Section 28.0 "Instruction Set Summary"](#) provides further details of the instruction set.

**FIGURE 6-5: INSTRUCTIONS IN PROGRAM MEMORY**

| Program Memory<br>Byte Locations → |       |            | Word Address |         |         |
|------------------------------------|-------|------------|--------------|---------|---------|
|                                    |       |            | LSB = 1      | LSB = 0 | ↓       |
|                                    |       |            |              |         | 000000h |
|                                    |       |            |              |         | 000002h |
|                                    |       |            |              |         | 000004h |
|                                    |       |            |              |         | 000006h |
| Instruction 1:                     | MOVLW | 055h       | 0Fh          | 55h     | 000008h |
| Instruction 2:                     | GOTO  | 0006h      | EFh          | 03h     | 00000Ah |
|                                    |       |            | F0h          | 00h     | 00000Ch |
| Instruction 3:                     | MOVFF | 123h, 456h | C1h          | 23h     | 00000Eh |
|                                    |       |            | F4h          | 56h     | 000010h |
|                                    |       |            |              |         | 000012h |
|                                    |       |            |              |         | 000014h |

## 6.2.4 TWO-WORD INSTRUCTIONS

The standard PIC18 instruction set has four, two-word instructions: CALL, MOVFF, GOTO and LSRF. In all cases, the second word of the instructions always has '1111' as its four Most Significant bits (MSBs); the other 12 bits are literal data, usually a data memory address.

The use of '1111' in the 4 MSBs of an instruction specifies a special form of NOP. If the instruction is executed in proper sequence immediately after the first word, the data in the second word is accessed and

used by the instruction sequence. If the first word is skipped for some reason and the second word is executed by itself, a NOP is executed instead. This is necessary for cases when the two-word instruction is preceded by a conditional instruction that changes the PC. [Example 6-4](#) illustrates how this works.

**Note:** See [Section 6.5 "Program Memory and the Extended Instruction Set"](#) for information on two-word instructions in the extended instruction set.

**EXAMPLE 6-4: TWO-WORD INSTRUCTIONS**

| CASE 1:             |             |                                     |
|---------------------|-------------|-------------------------------------|
| Object Code         | Source Code |                                     |
| 0110 0110 0000 0000 | TSTFSZ      | REG1 ; is RAM location 0?           |
| 1100 0001 0010 0011 | MOVFF       | REG1, REG2 ; No, skip this word     |
| 1111 0100 0101 0110 |             | ; Execute this word as a NOP        |
| 0010 0100 0000 0000 | ADDWF       | REG3 ; continue code                |
| CASE 2:             |             |                                     |
| Object Code         | Source Code |                                     |
| 0110 0110 0000 0000 | TSTFSZ      | REG1 ; is RAM location 0?           |
| 1100 0001 0010 0011 | MOVFF       | REG1, REG2 ; Yes, execute this word |
| 1111 0100 0101 0110 |             | ; 2nd word of instruction           |
| 0010 0100 0000 0000 | ADDWF       | REG3 ; continue code                |

# PIC18F46J50 FAMILY

## 6.3 Data Memory Organization

**Note:** The operation of some aspects of data memory are changed when the PIC18 extended instruction set is enabled. See [Section 6.6 “Data Memory and the Extended Instruction Set”](#) for more information.

The data memory in PIC18 devices is implemented as static RAM. Each register in the data memory has a 12-bit address, allowing up to 4096 bytes of data memory. The memory space is divided into as many as 16 banks that contain 256 bytes each. The PIC18F46J50 family implements all available banks and provides 3.8 Kbytes of data memory available to the user. [Figure 6-6](#) provides the data memory organization for the devices.

The data memory contains Special Function Registers (SFRs) and General Purpose Registers (GPRs). The SFRs are used for control and status of the controller and peripheral functions, while GPRs are used for data storage and scratchpad operations in the user's application. Any read of an unimplemented location will read as '0's.

The instruction set and architecture allow operations across all banks. The entire data memory may be accessed by Direct, Indirect or Indexed Addressing modes. Addressing modes are discussed later in this section.

To ensure that commonly used registers (select SFRs and select GPRs) can be accessed in a single cycle, PIC18 devices implement an Access Bank. This is a 256-byte memory space that provides fast access to select SFRs and the lower portion of GPR Bank 0 without using the BSR. [Section 6.3.3 “Access Bank”](#) provides a detailed description of the Access RAM.

### 6.3.1 USB RAM

All 3.8 Kbytes of the GPRs implemented on the PIC18F46J50 family devices can be accessed simultaneously by both the microcontroller core and the Serial Interface Engine (SIE) of the USB module. The SIE uses a dedicated USB DMA engine to store any incoming data packets (OUT/SETUP) directly into main system data memory.

For IN data packets, the SIE can directly read the contents of general purpose SRAM and use it to create USB data packets that are sent to the host.

**Note:** IN and OUT are always from the USB host's perspective.

SRAM Bank 4 (400h-4FFh) is unique. In addition to being accessible by both the microcontroller core and the USB module, the SIE uses a portion of Bank 4 as Special Function Registers (SFRs). These SFRs compose the Buffer Descriptor Table (BDT).

When the USB module is enabled, the BDT registers are used to control the behavior of the USB DMA operation for each of the enabled endpoints. The exact number of SRAM locations that are used for the BDT depends on how many endpoints are enabled and what USB Ping-Pong mode is used. For more details, see [Section 22.3 “USB RAM”](#).

When the USB module is disabled, these SRAM locations behave like any other GPR location. When the USB module is disabled, these locations may be used for any general purpose.

### 6.3.2 BANK SELECT REGISTER

Large areas of data memory require an efficient addressing scheme to make rapid access to any address possible. Ideally, this means that an entire address does not need to be provided for each read or write operation. For PIC18 devices, this is accomplished with a RAM banking scheme. This divides the memory space into 16 contiguous banks of 256 bytes. Depending on the instruction, each location can be addressed directly by its full 12-bit address, or an 8-bit low-order address and a 4-bit Bank Pointer.

Most instructions in the PIC18 instruction set make use of the Bank Pointer, known as the Bank Select Register (BSR). This SFR holds the 4 MSBs of a location's address; the instruction itself includes the 8 LSBs. Only the four lower bits of the BSR are implemented (BSR<3:0>). The upper four bits are unused; they will always read '0' and cannot be written to. The BSR can be loaded directly by using the `MOVLB` instruction.

The value of the BSR indicates the bank in data memory. The 8 bits in the instruction show the location in the bank and can be thought of as an offset from the bank's lower boundary. The relationship between the BSR's value and the bank division in data memory is illustrated in [Figure 6-7](#).

Since, up to 16 registers may share the same low-order address, the user must always be careful to ensure that the proper bank is selected before performing a data read or write. For example, writing what should be program data to an 8-bit address of F9h while the BSR is 0Fh, will end up resetting the PC.

While any bank can be selected, only those banks that are actually implemented can be read or written to. Writes to unimplemented banks are ignored, while reads from unimplemented banks will return '0's. Even so, the STATUS register will still be affected as if the operation was successful. The data memory map in [Figure 6-6](#) indicates which banks are implemented.

In the core PIC18 instruction set, only the `MOVFF` instruction fully specifies the 12-bit address of the source and target registers. This instruction ignores the BSR completely when it executes. All other instructions include only the low-order address as an operand and must use either the BSR or the Access Bank to locate their target registers.

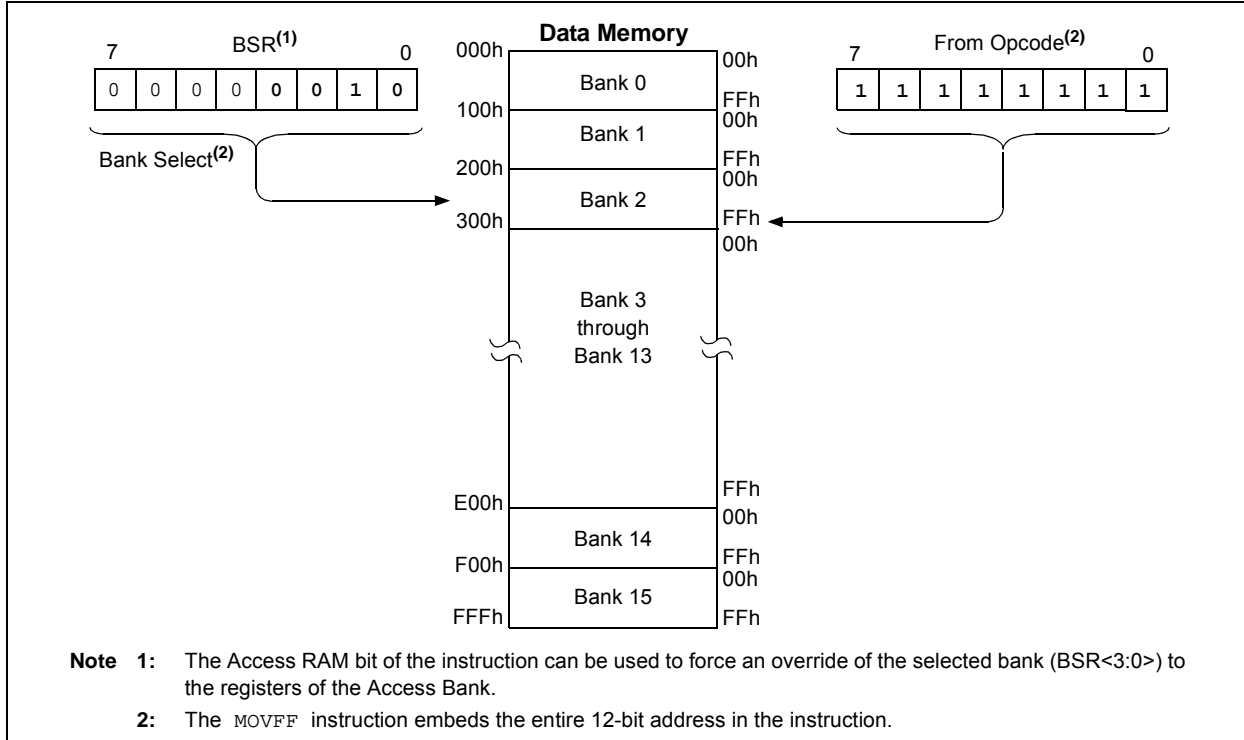
# PIC18F46J50 FAMILY

**FIGURE 6-6: DATA MEMORY MAP FOR PIC18F46J50 FAMILY DEVICES**



# PIC18F46J50 FAMILY

**FIGURE 6-7: USE OF THE BANK SELECT REGISTER (DIRECT ADDRESSING)**



## 6.3.3 ACCESS BANK

While the use of the BSR with an embedded 8-bit address allows users to address the entire range of data memory, it also means that the user must always ensure that the correct bank is selected. Otherwise, data may be read from or written to the wrong location. This can be disastrous if a GPR is the intended target of an operation, but an SFR is written to instead. Verifying and/or changing the BSR for each read or write to data memory can become very inefficient.

To streamline access for the most commonly used data memory locations, the data memory is configured with an Access Bank, which allows users to access a mapped block of memory without specifying a BSR. The Access Bank consists of the first 96 bytes of memory (00h-5Fh) in Bank 0 and the last 160 bytes of memory (60h-FFh) in Bank 15. The lower half is known as the Access RAM and is composed of GPRs. The upper half is where the device's SFRs are mapped. These two areas are mapped contiguously in the Access Bank and can be addressed in a linear fashion by an 8-bit address (Figure 6-6).

The Access Bank is used by core PIC18 instructions that include the Access RAM bit (the 'a' parameter in the instruction). When 'a' is equal to '1', the instruction uses the BSR and the 8-bit address included in the opcode for the data memory address. When 'a' is '0', however, the instruction is forced to use the Access Bank address map; the current value of the BSR is ignored entirely.

Using this "forced" addressing allows the instruction to operate on a data address in a single cycle without updating the BSR first. For 8-bit addresses of 60h and above, this means that users can evaluate and operate on SFRs more efficiently. The Access RAM below 60h is a good place for data values that the user might need to access rapidly, such as immediate computational results or common program variables. Access RAM also allows for faster and more code efficient context saving and switching of variables.

The mapping of the Access Bank is slightly different when the extended instruction set is enabled (XINST Configuration bit = 1). This is discussed in more detail in Section 6.6.3 "Mapping the Access Bank in Indexed Literal Offset Mode".

## 6.3.4 GENERAL PURPOSE REGISTER FILE

PIC18 devices may have banked memory in the GPR area. This is data RAM, which is available for use by all instructions. GPRs start at the bottom of Bank 0 (address 000h) and grow upward toward the bottom of the SFR area. GPRs are not initialized by a POR and are unchanged on all other Resets.

# PIC18F46J50 FAMILY

## 6.3.5 SPECIAL FUNCTION REGISTERS

The SFRs are registers used by the CPU and peripheral modules for controlling the desired operation of the device. These registers are implemented as static RAM. SFRs start at the top of data memory (FFFh) and extend downward to occupy more than the top half of Bank 15 (F40h to FFFh). [Table 6-2](#), [Table 6-3](#) and [Table 6-4](#) provide a list of these registers.

The SFRs can be classified into two sets: those associated with the “core” device functionality (ALU, Resets and interrupts) and those related to the peripheral functions. The Reset and Interrupt registers are described in their corresponding chapters, while the

ALU's STATUS register is described later in this section. Registers related to the operation of the peripheral features are described in the chapter for that peripheral.

The SFRs are typically distributed among the peripherals whose functions they control. Unused SFR locations are unimplemented and read as '0's

**Note:** The SFRs, located between EC0h and F5Fh, are not part of the Access Bank. Either BANKED instructions (using BSR) or the MOVFF instruction should be used to access these locations. When programming in MPLAB® C18, the compiler will automatically use the appropriate addressing mode.

**TABLE 6-2: ACCESS BANK SPECIAL FUNCTION REGISTER MAP**

| Address | Name                    | Address | Name                    | Address | Name     | Address | Name                 | Address | Name                     |
|---------|-------------------------|---------|-------------------------|---------|----------|---------|----------------------|---------|--------------------------|
| FFFh    | TOSU                    | FDFh    | INDF2 <sup>(1)</sup>    | FBFh    | PSTR1CON | F9Fh    | IPR1                 | F7Fh    | SPBRGH1                  |
| FFEh    | TOSH                    | FDEh    | POSTINC2 <sup>(1)</sup> | FBEh    | ECCP1AS  | F9Eh    | PIR1                 | F7Eh    | BAUDCON1                 |
| FFDh    | TOSL                    | FDDh    | POSTDEC2 <sup>(1)</sup> | FBDh    | ECCP1DEL | F9Dh    | PIE1                 | F7Dh    | SPBRGH2                  |
| FFCh    | STKPTR                  | FDCh    | PREINC2 <sup>(1)</sup>  | FBCh    | CCPR1H   | F9Ch    | RCSTA2               | F7Ch    | BAUDCON2                 |
| FFBh    | PCLATU                  | FDBh    | PLUSW2 <sup>(1)</sup>   | FBBh    | CCPR1L   | F9Bh    | OSCTUNE              | F7Bh    | TMR3H                    |
| FFAh    | PCLATH                  | FDAh    | FSR2H                   | FBAh    | CCP1CON  | F9Ah    | T1GCON               | F7Ah    | TMR3L                    |
| FF9h    | PCL                     | FD9h    | FSR2L                   | FB9h    | PSTR2CON | F99h    | RTCVLH               | F79h    | T3CON                    |
| FF8h    | TBLPTRU                 | FD8h    | STATUS                  | FB8h    | ECCP2AS  | F98h    | RTCVALL              | F78h    | TMR4                     |
| FF7h    | TBLPTRH                 | FD7h    | TMR0H                   | FB7h    | ECCP2DEL | F97h    | T3GCON               | F77h    | PR4                      |
| FF6h    | TBLPTRL                 | FD6h    | TMR0L                   | FB6h    | CCPR2H   | F96h    | TRISE                | F76h    | T4CON                    |
| FF5h    | TABLAT                  | FD5h    | T0CON                   | FB5h    | CCPR2L   | F95h    | TRISD                | F75h    | SSP2BUF                  |
| FF4h    | PRODH                   | FD4h    | — <sup>(5)</sup>        | FB4h    | CCP2CON  | F94h    | TRISC                | F74h    | SSP2ADD <sup>(3)</sup>   |
| FF3h    | PRODL                   | FD3h    | OSCCON                  | FB3h    | CTMUCONH | F93h    | TRISB                | F73h    | SSP2STAT                 |
| FF2h    | INTCON                  | FD2h    | CM1CON                  | FB2h    | CTMUCONL | F92h    | TRISA                | F72h    | SSP2CON1                 |
| FF1h    | INTCON2                 | FD1h    | CM2CON                  | FB1h    | CTMUICON | F91h    | ALRMCFG              | F71h    | SSP2CON2                 |
| FF0h    | INTCON3                 | FD0h    | RCON                    | FB0h    | SPBRG1   | F90h    | ALRMRPT              | F70h    | CMSTAT                   |
| FEFh    | INDF0 <sup>(1)</sup>    | FCFh    | TMR1H                   | FAFh    | RCREG1   | F8Fh    | ALRMVALH             | F6Fh    | PMADDRH <sup>(2,4)</sup> |
| FEeh    | POSTINC0 <sup>(1)</sup> | FCEh    | TMR1L                   | FAEh    | TXREG1   | F8Eh    | ALRMVALL             | F6Eh    | PMADDRL <sup>(2,4)</sup> |
| FEDh    | POSTDEC0 <sup>(1)</sup> | FCDh    | T1CON                   | FADh    | TXSTA1   | F8Dh    | LATE <sup>(2)</sup>  | F6Dh    | PMDIN1H <sup>(2)</sup>   |
| FECCh   | PREINC0 <sup>(1)</sup>  | FCCh    | TMR2                    | FACCh   | RCSTA1   | F8Ch    | LATD <sup>(2)</sup>  | F6Ch    | PMDIN1L <sup>(2)</sup>   |
| FEBh    | PLUSW0 <sup>(1)</sup>   | FCBh    | PR2                     | FABh    | SPBRG2   | F8Bh    | LATC                 | F6Bh    | TXADDRL                  |
| FEAh    | FSR0H                   | FCAh    | T2CON                   | FAAh    | RCREG2   | F8Ah    | LATB                 | F6Ah    | TXADDRH                  |
| FE9h    | FSR0L                   | FC9h    | SSP1BUF                 | FA9h    | TXREG2   | F89h    | LATA                 | F69h    | RXADDRL                  |
| FE8h    | WREG                    | FC8h    | SSP1ADD <sup>(3)</sup>  | FA8h    | TXSTA2   | F88h    | DMACON1              | F68h    | RXADDRH                  |
| FE7h    | INDF1 <sup>(1)</sup>    | FC7h    | SSP1STAT                | FA7h    | EECON2   | F87h    | — <sup>(5)</sup>     | F67h    | DMABCL                   |
| FE6h    | POSTINC1 <sup>(1)</sup> | FC6h    | SSP1CON1                | FA6h    | EECON1   | F86h    | DMACON2              | F66h    | DMABCH                   |
| FE5h    | POSTDEC1 <sup>(1)</sup> | FC5h    | SSP1CON2                | FA5h    | IPR3     | F85h    | HLVDCON              | F65h    | UCON                     |
| FE4h    | PREINC1 <sup>(1)</sup>  | FC4h    | ADRESH                  | FA4h    | PIR3     | F84h    | PORTE <sup>(2)</sup> | F64h    | USTAT                    |
| FE3h    | PLUSW1 <sup>(1)</sup>   | FC3h    | ADRESL                  | FA3h    | PIE3     | F83h    | PORTD <sup>(2)</sup> | F63h    | UEIR                     |
| FE2h    | FSR1H                   | FC2h    | ADCON0                  | FA2h    | IPR2     | F82h    | PORTC                | F62h    | UIR                      |
| FE1h    | FSR1L                   | FC1h    | ADCON1                  | FA1h    | PIR2     | F81h    | PORTB                | F61h    | UFRMH                    |
| FE0h    | BSR                     | FC0h    | WDTCON                  | FA0h    | PIE2     | F80h    | PORTA                | F60h    | UFRML                    |

- Note**
- 1: This is not a physical register.
  - 2: This register is not available on 28-pin devices.
  - 3: SSPxADD and SSPxMSK share the same address.
  - 4: PMADDRH and PMDOUTH share the same address, and PMADDRL and PMDOUTL share the same address. PMADDRx is used in Master modes and PMDOUTx is used in Slave modes.
  - 5: Reserved; do not write to this location.

# PIC18F46J50 FAMILY

**TABLE 6-3: NON-ACCESS BANK SPECIAL FUNCTION REGISTER MAP**

| Address | Name     | Address | Name    | Address | Name | Address | Name    | Address | Name                  |
|---------|----------|---------|---------|---------|------|---------|---------|---------|-----------------------|
| F5Fh    | PMCONH   | F3Fh    | RTCCFG  | F1Fh    | —    | EFFh    | PPSCON  | EDFh    | —                     |
| F5Eh    | PMCONL   | F3Eh    | RTCCAL  | F1Eh    | —    | EFEh    | RPINR24 | EDEh    | RPOR24 <sup>(1)</sup> |
| F5Dh    | PMMODEH  | F3Dh    | REFOCON | F1Dh    | —    | EFDh    | RPINR23 | EDDh    | RPOR23 <sup>(1)</sup> |
| F5Ch    | PMMODEL  | F3Ch    | PADCFG1 | F1Ch    | —    | EFCh    | RPINR22 | EDCh    | RPOR22 <sup>(1)</sup> |
| F5Bh    | PMDOUT2H | F3Bh    | —       | F1Bh    | —    | EFBh    | RPINR21 | EDBh    | RPOR21 <sup>(1)</sup> |
| F5Ah    | PMDOUT2L | F3Ah    | —       | F1Ah    | —    | EFAh    | —       | EDAh    | RPOR20 <sup>(1)</sup> |
| F59h    | PMDIN2H  | F39h    | UCFG    | F19h    | —    | EF9h    | —       | ED9h    | RPOR19 <sup>(1)</sup> |
| F58h    | PMDIN2L  | F38h    | UADDR   | F18h    | —    | EF8h    | —       | ED8h    | RPOR18                |
| F57h    | PMEH     | F37h    | UEIE    | F17h    | —    | EF7h    | RPINR17 | ED7h    | RPOR17                |
| F56h    | PMEL     | F36h    | UIE     | F16h    | —    | EF6h    | RPINR16 | ED6h    | —                     |
| F55h    | PMSTATH  | F35h    | UEP15   | F15h    | —    | EF5h    | —       | ED5h    | —                     |
| F54h    | PMSTATL  | F34h    | UEP14   | F14h    | —    | EF4h    | —       | ED4h    | —                     |
| F53h    | CVRCON   | F33h    | UEP13   | F13h    | —    | EF3h    | RPINR13 | ED3h    | RPOR13                |
| F52h    | TCLKCON  | F32h    | UEP12   | F12h    | —    | EF2h    | RPINR12 | ED2h    | RPOR12                |
| F51h    | —        | F31h    | UEP11   | F11h    | —    | EF1h    | —       | ED1h    | RPOR11                |
| F50h    | —        | F30h    | UEP10   | F10h    | —    | EF0h    | —       | ED0h    | RPOR10                |
| F4Fh    | DSGPR1   | F2Fh    | UEP9    | F0Fh    | —    | EEFh    | —       | ECFh    | RPOR9                 |
| F4Eh    | DSGPR0   | F2Eh    | UEP8    | F0Eh    | —    | EEEh    | RPINR8  | ECEh    | RPOR8                 |
| F4Dh    | DSCONH   | F2Dh    | UEP7    | F0Dh    | —    | EEDh    | RPINR7  | ECDh    | RPOR7                 |
| F4Ch    | DSCONL   | F2Ch    | UEP6    | F0Ch    | —    | EECh    | RPINR6  | ECCh    | RPOR6                 |
| F4Bh    | DSWAKEH  | F2Bh    | UEP5    | F0Bh    | —    | EEBh    | —       | ECBh    | RPOR5                 |
| F4Ah    | DSWAKEL  | F2Ah    | UEP4    | F0Ah    | —    | EEAh    | RPINR4  | ECAh    | RPOR4                 |
| F49h    | ANCON1   | F29h    | UEP3    | F09h    | —    | EE9h    | RPINR3  | EC9h    | RPOR3                 |
| F48h    | ANCON0   | F28h    | UEP2    | F08h    | —    | EE8h    | RPINR2  | EC8h    | RPOR2                 |
| F47h    | —        | F27h    | UEP1    | F07h    | —    | EE7h    | RPINR1  | EC7h    | RPOR1                 |
| F46h    | —        | F26h    | UEP0    | F06h    | —    | EE6h    | —       | EC6h    | RPOR0                 |
| F45h    | —        | F25h    | —       | F05h    | —    | EE5h    | —       | EC5h    | —                     |
| F44h    | —        | F24h    | —       | F04h    | —    | EE4h    | —       | EC4h    | —                     |
| F43h    | —        | F23h    | —       | F03h    | —    | EE3h    | —       | EC3h    | —                     |
| F42h    | ODCON1   | F22h    | —       | F02h    | —    | EE2h    | —       | EC2h    | —                     |
| F41h    | ODCON2   | F21h    | —       | F01h    | —    | EE1h    | —       | EC1h    | —                     |
| F40h    | ODCON3   | F20h    | —       | F00h    | —    | EE0h    | —       | EC0h    | —                     |

**Note 1:** This register is not available on 28-pin devices.



# PIC18F46J50 FAMILY

## 6.3.5.1 Context Defined SFRs

There are several registers that share the same address in the SFR space. The register's definition and usage depends on the operating mode of its associated peripheral. These registers are:

- SSPxADD and SSPxMSK: These are two separate hardware registers, accessed through a single SFR address. The operating mode of the MSSP modules determines which register is being accessed. See [Section 19.5.3.4 "7-Bit Address Masking Mode"](#) for additional details.

- PMADDRH/L and PMDOUT2H/L: In this case, these named buffer pairs are actually the same physical registers. The Parallel Master Port (PMP) module's operating mode determines what function the registers take on. See [Section 11.1.2 "Data Registers"](#) for additional details.

**TABLE 6-4: REGISTER FILE SUMMARY (PIC18F46J50 FAMILY)**

| File Name | Bit 7  | Bit 6     | Bit 5                 | Bit 4   | Bit 3  | Bit 2  | Bit 1  | Bit 0  | Value on POR, BOR | Details on Page: |
|-----------|--|-----------|-----------------------|---|--|--------|--------|--------|-------------------|------------------|
| TOSU      | —  | —         | —                     | Top-of-Stack Upper Byte (TOS<20:16>)                    |  |        |        |        | ---0 0000         | 69, 81           |
| TOSH      | Top-of-Stack High Byte (TOS<15:8>)   |           |                       |   |  |        |        |        | 0000 0000         | 69, 79           |
| TOSL      | Top-of-Stack Low Byte (TOS<7:0>)   |           |                       |   |  |        |        |        | 0000 0000         | 69, 79           |
| STKPTR    | STKFUL   | STKUNF    | —                     | SP4   | SP3  | SP2    | SP1    | SP0    | 00-0 0000         | 69, 79           |
| PCLATU    | —  | —         | bit 21 <sup>(1)</sup> | Holding Register for PC<20:16>                          |  |        |        |        | ---0 0000         | 69, 79           |
| PCLATH    | Holding Register for PC<15:8>  |           |                       |   |  |        |        |        | 0000 0000         | 69, 79           |
| PCL       | PC Low Byte (PC<7:0>)  |           |                       |   |  |        |        |        | 0000 0000         | 69, 79           |
| TBLPTRU   | —  | —         | bit 21                | Program Memory Table Pointer Upper Byte (TBLPTR<20:16>) |  |        |        |        | --00 0000         | 69, 112          |
| TBLPTRH   | Program Memory Table Pointer High Byte (TBLPTR<15:8>)  |           |                       |   |  |        |        |        | 0000 0000         | 69, 112          |
| TBLPTRL   | Program Memory Table Pointer Low Byte (TBLPTR<7:0>)  |           |                       |   |  |        |        |        | 0000 0000         | 69, 112          |
| TABLAT    | Program Memory Table Latch   |           |                       |   |  |        |        |        | 0000 0000         | 69, 112          |
| PRODH     | Product Register High Byte   |           |                       |   |  |        |        |        | xxxx xxxx         | 69, 113          |
| PRODL     | Product Register Low Byte  |           |                       |   |  |        |        |        | xxxx xxxx         | 69, 113          |
| INTCON    | GIE/GIEH   | PEIE/GIEL | TMR0IE                | INT0IE  | RBIE   | TMR0IF | INT0IF | RBIF   | 0000 000x         | 69, 117          |
| INTCON2   | RBPÜ   | INTEDG0   | INTEDG1               | INTEDG2   | INTEDG3  | TMR0IP | INT3IP | RBIP   | 1111 1111         | 69, 117          |
| INTCON3   | INT2IP   | INT1IP    | INT3IE                | INT2IE  | INT1IE   | INT3IF | INT2IF | INT1IF | 1100 0000         | 69, 117          |
| INDF0     | Uses contents of FSR0 to address data memory – value of FSR0 not changed (not a physical register)                                 |           |                       |   |  |        |        |        | <b>N/A</b>        | 69, 98           |
| POSTINC0  | Uses contents of FSR0 to address data memory – value of FSR0 post-incremented (not a physical register)                            |           |                       |   |  |        |        |        | <b>N/A</b>        | 69, 99           |
| POSTDEC0  | Uses contents of FSR0 to address data memory – value of FSR0 post-decremented (not a physical register)                            |           |                       |   |  |        |        |        | <b>N/A</b>        | 69, 99           |
| PREINC0   | Uses contents of FSR0 to address data memory – value of FSR0 pre-incremented (not a physical register)                             |           |                       |   |  |        |        |        | <b>N/A</b>        | 69, 99           |
| PLUSW0    | Uses contents of FSR0 to address data memory – value of FSR0 pre-incremented (not a physical register) – value of FSR0 offset by W |           |                       |   |  |        |        |        | <b>N/A</b>        | 69, 99           |
| FSR0H     | —  | —         | —                     | —   | Indirect Data Memory Address Pointer 0 High Byte |        |        |        | ---- 0000         | 69, 98           |
| FSR0L     | Indirect Data Memory Address Pointer 0 Low Byte  |           |                       |   |  |        |        |        | xxxx xxxx         | 69, 98           |
| WREG      | Working Register   |           |                       |   |  |        |        |        | xxxx xxxx         | 69, 81           |
| INDF1     | Uses contents of FSR1 to address data memory – value of FSR1 not changed (not a physical register)                                 |           |                       |   |  |        |        |        | <b>N/A</b>        | 69, 98           |
| POSTINC1  | Uses contents of FSR1 to address data memory – value of FSR1 post-incremented (not a physical register)                            |           |                       |   |  |        |        |        | <b>N/A</b>        | 69, 99           |
| POSTDEC1  | Uses contents of FSR1 to address data memory – value of FSR1 post-decremented (not a physical register)                            |           |                       |   |  |        |        |        | <b>N/A</b>        | 69, 99           |
| PREINC1   | Uses contents of FSR1 to address data memory – value of FSR1 pre-incremented (not a physical register)                             |           |                       |   |  |        |        |        | <b>N/A</b>        | 70, 99           |
| PLUSW1    | Uses contents of FSR1 to address data memory – value of FSR1 pre-incremented (not a physical register) – value of FSR1 offset by W |           |                       |   |  |        |        |        | <b>N/A</b>        | 69, 99           |

**Legend:** x = unknown, u = unchanged, – = unimplemented, c = value depends on condition, r = reserved. **Bold** indicates shared access SFRs.

**Note 1:** Bit 21 of the PC is only available in Serial Programming (SP) modes.

**2:** Reset value is '0' when Two-Speed Start-up is enabled and '1' if disabled.

**3:** The SSPxMSK registers are only accessible when SSPxCON2<3:0> = 1001.

**4:** Alternate names and definitions for these bits when the MSSP module is operating in I<sup>2</sup>C™ Slave mode. See [Section 19.5.3.2 "Address Masking Modes"](#) for details.

**5:** These bits and/or registers are only available on 44-pin devices; otherwise, they are unimplemented and read as '0'. Reset values are shown for 44-pin devices.

**6:** The PMADDRH/PMDOUT1H and PMADDRL/PMDOUT1L register pairs share the same physical registers and addresses, but have different functions determined by the module's operating mode. See [Section 11.1.2 "Data Registers"](#) for more information.

**7:** The TRISA6 and TRISA7 bits are only implemented when the pins are not configured for primary oscillator functions.

# PIC18F46J50 FAMILY

**TABLE 6-4: REGISTER FILE SUMMARY (PIC18F46J50 FAMILY) (CONTINUED)**

| File Name              | Bit 7  | Bit 6    | Bit 5                 | Bit 4                 | Bit 3  | Bit 2                 | Bit 1                 | Bit 0            | Value on POR, BOR | Details on Page: |
|------------------------|--|----------|-----------------------|-----------------------|--|-----------------------|-----------------------|------------------|-------------------|------------------|
| FSR1H                  | —  | —        | —                     | —                     | Indirect Data Memory Address Pointer 1 High Byte |                       |                       |                  | ---- 0000         | 69, 98           |
| FSR1L                  | Indirect Data Memory Address Pointer 1 Low Byte  |          |                       |                       |  |                       |                       |                  | xxxx xxxx         | 69, 98           |
| BSR                    | —  | —        | —                     | —                     | Bank Select Register                             |                       |                       |                  | ---- 0000         | 69, 84           |
| INDF2                  | Uses contents of FSR2 to address data memory – value of FSR2 not changed (not a physical register)                                 |          |                       |                       |  |                       |                       |                  | N/A               | 69, 98           |
| POSTINC2               | Uses contents of FSR2 to address data memory – value of FSR2 post-incremented (not a physical register)                            |          |                       |                       |  |                       |                       |                  | N/A               | 70, 99           |
| POSTDEC2               | Uses contents of FSR2 to address data memory – value of FSR2 post-decremented (not a physical register)                            |          |                       |                       |  |                       |                       |                  | N/A               | 70, 99           |
| PREINC2                | Uses contents of FSR2 to address data memory – value of FSR2 pre-incremented (not a physical register)                             |          |                       |                       |  |                       |                       |                  | N/A               | 70, 99           |
| PLUSW2                 | Uses contents of FSR2 to address data memory – value of FSR2 pre-incremented (not a physical register) – value of FSR2 offset by W |          |                       |                       |  |                       |                       |                  | N/A               | 70, 99           |
| FSR2H                  | —  | —        | —                     | —                     | Indirect Data Memory Address Pointer 2 High Byte |                       |                       |                  | ---- 0000         | 70, 98           |
| FSR2L                  | Indirect Data Memory Address Pointer 2 Low Byte  |          |                       |                       |  |                       |                       |                  | xxxx xxxx         | 70, 98           |
| STATUS                 | —  | —        | —                     | N                     | OV   | Z                     | DC                    | C                | ---x xxxxx        | 70, 96           |
| TMR0H                  | Timer0 Register High Byte  |          |                       |                       |  |                       |                       |                  | 0000 0000         | 70, 203          |
| TMR0L                  | Timer0 Register Low Byte   |          |                       |                       |  |                       |                       |                  | xxxx xxxx         | 70, 203          |
| T0CON                  | TMR0ON   | T08BIT   | T0CS                  | T0SE                  | PSA  | T0PS2                 | T0PS1                 | T0PS0            | 1111 1111         | 70, 196          |
| OSCCON                 | IDLEN  | IRCF2    | IRCF1                 | IRCF0                 | OSTS <sup>(2)</sup>                              | —                     | SCS1                  | SCS0             | 0110 q-00         | 70, 43           |
| CM1CON                 | CON  | COE      | CPOL                  | EVPOL1                | EVPOL0   | CREF                  | CCH1                  | CCH0             | 0001 1111         | 70, 391          |
| CM2CON                 | CON  | COE      | CPOL                  | EVPOL1                | EVPOL0   | CREF                  | CCH1                  | CCH0             | 0001 1111         | 70, 391          |
| RCON                   | IPEN   | —        | $\overline{CM}$       | $\overline{RI}$       | $\overline{TO}$                                  | $\overline{PD}$       | $\overline{POR}$      | $\overline{BOR}$ | 0-11 1100         | 68, 70, 129      |
| TMR1H                  | Timer1 Register High Byte  |          |                       |                       |  |                       |                       |                  | xxxx xxxx         | 70, 203          |
| TMR1L                  | Timer1 Register Low Byte   |          |                       |                       |  |                       |                       |                  | xxxx xxxx         | 70, 203          |
| T1CON                  | TMR1CS1  | TMR1CS0  | T1CKPS1               | T1CKPS0               | T1OSCEN  | $\overline{T1SYNC}$   | RD16                  | TMR1ON           | 0000 0000         | 70, 203          |
| TMR2                   | Timer2 Register  |          |                       |                       |  |                       |                       |                  | 0000 0000         | 70, 211          |
| PR2                    | Timer2 Period Register   |          |                       |                       |  |                       |                       |                  | 1111 1111         | 70, 211          |
| T2CON                  | —  | T2OUTPS3 | T2OUTPS2              | T2OUTPS1              | T2OUTPS0   | TMR2ON                | T2CKPS1               | T2CKPS0          | -000 0000         | 70, 211          |
| SSP1BUF                | MSSP1 Receive Buffer/Transmit Register   |          |                       |                       |  |                       |                       |                  | xxxx xxxx         | 70, 288, 322     |
| SSP1ADD                | MSSP1 Address Register (I <sup>2</sup> C™ Slave mode), MSSP1 Baud Rate Reload Register (I <sup>2</sup> C Master mode)              |          |                       |                       |  |                       |                       |                  | 0000 0000         | 70, 293          |
| SSP1MSK <sup>(4)</sup> | MSK7   | MSK6     | MSK5                  | MSK4                  | MSK3   | MSK2                  | MSK1                  | MSK0             | 1111 1111         | 70, 295          |
| SSP1STAT               | SMP  | CKE      | D/A                   | P                     | S  | R/W                   | UA                    | BF               | 0000 0000         | 70, 270, 289     |
| SSP1CON1               | WCOL   | SSPOV    | SSPEN                 | CKP                   | SSPM3  | SSPM2                 | SSPM1                 | SSPM0            | 0000 0000         | 70, 270, 290     |
| SSP1CON2               | GCEN   | ACKSTAT  | ACKDT                 | ACKEN                 | RCEN   | PEN                   | RSEN                  | SEN              | 0000 0000         | 70, 270, 291     |
|                        | GCEN   | ACKSTAT  | ADMSK5 <sup>(4)</sup> | ADMSK4 <sup>(4)</sup> | ADMSK3 <sup>(4)</sup>                            | ADMSK2 <sup>(4)</sup> | ADMSK1 <sup>(4)</sup> | SEN              |                   |                  |
| ADRESH                 | A/D Result Register High Byte  |          |                       |                       |  |                       |                       |                  | xxxx xxxx         | 70, 356          |
| ADRESL                 | A/D Result Register Low Byte   |          |                       |                       |  |                       |                       |                  | xxxx xxxx         | 70, 356          |
| ADCON0                 | VCFG1  | VCFG0    | CHS3                  | CHS2                  | CHS1   | CHS0                  | GO/DONE               | ADON             | 0000 0000         | 69, 347          |
| ADCON1                 | ADFM   | ADCAL    | ACQT2                 | ACQT1                 | ACQT0  | ADCS2                 | ADCS1                 | ADCS0            | 0000 0000         | 70, 347          |
| WDTCON                 | REGSLP   | LVDSTAT  | ULPLVL                | —                     | DS   | ULPEN                 | ULPSINK               | SWDTEN           | 1qx- q000         | 70, 427          |
| PSTR1CON               | CMPL1  | CMPL0    | —                     | STRSYNC               | STRD   | STRC                  | STRB                  | STRA             | 00-0 0001         | 70, 265          |
| ECCP1AS                | ECCP1ASE   | ECCP1AS2 | ECCP1AS1              | ECCP1AS0              | PSS1AC1  | PSS1AC0               | PSS1BD1               | PSS1BD0          | 0000 0000         | 70               |

**Legend:** x = unknown, u = unchanged, - = unimplemented, q = value depends on condition, r = reserved. **Bold** indicates shared access SFRs.

- Note**
- 1: Bit 21 of the PC is only available in Serial Programming (SP) modes.
  - 2: Reset value is '0' when Two-Speed Start-up is enabled and '1' if disabled.
  - 3: The SSPxMSK registers are only accessible when SSPxCON2<3:0> = 1001.
  - 4: Alternate names and definitions for these bits when the MSSP module is operating in I<sup>2</sup>C™ Slave mode. See [Section 19.5.3.2 "Address Masking Modes"](#) for details.
  - 5: These bits and/or registers are only available on 44-pin devices; otherwise, they are unimplemented and read as '0'. Reset values are shown for 44-pin devices.
  - 6: The PMADDRH/PMDDOUT1H and PMADDRL/PMDDOUT1L register pairs share the same physical registers and addresses, but have different functions determined by the module's operating mode. See [Section 11.1.2 "Data Registers"](#) for more information.
  - 7: The TRISA6 and TRISA7 bits are only implemented when the pins are not configured for primary oscillator functions.

# PIC18F46J50 FAMILY

**TABLE 6-4: REGISTER FILE SUMMARY (PIC18F46J50 FAMILY) (CONTINUED)**

| File Name | Bit 7   | Bit 6    | Bit 5    | Bit 4    | Bit 3            | Bit 2    | Bit 1    | Bit 0    | Value on POR, BOR | Details on Page: |
|-----------|---|----------|----------|----------|------------------|----------|----------|----------|-------------------|------------------|
| ECCP1DEL  | P1RSEN  | P1DC6    | P1DC5    | P1DC4    | P1DC3            | P1DC2    | P1DC1    | P1DC0    | 0000 0000         | 71               |
| CCPR1H    | Capture/Compare/PWM Register 1 High Byte                    |          |          |          |                  |          |          |          | xxxx xxxx         | 71               |
| CCPR1L    | Capture/Compare/PWM Register 1 Low Byte                     |          |          |          |                  |          |          |          | xxxx xxxx         | 71               |
| CCP1CON   | P1M1  | P1M0     | DC1B1    | DC1B0    | CCP1M3           | CCP1M2   | CCP1M1   | CCP1M0   | 0000 0000         | 71               |
| PSTR2CON  | CMPL1   | CMPL0    | —        | STRSYNC  | STRD             | STRC     | STRB     | STRA     | 00-0 0001         | 71, 265          |
| ECCP2AS   | ECCP2ASE  | ECCP2AS2 | ECCP2AS1 | ECCP2AS0 | PSS2AC1          | PSS2AC0  | PSS2BD1  | PSS2BD0  | 0000 0000         | 71               |
| ECCP2DEL  | P2RSEN  | P2DC6    | P2DC5    | P2DC4    | P2DC3            | P2DC2    | P2DC1    | P2DC0    | 0000 0000         | 71               |
| CCPR2H    | Capture/Compare/PWM Register 2 High Byte                    |          |          |          |                  |          |          |          | xxxx xxxx         | 71               |
| CCPR2L    | Capture/Compare/PWM Register 2 Low Byte                     |          |          |          |                  |          |          |          | xxxx xxxx         | 71               |
| CCP2CON   | P2M1  | P2M0     | DC2B1    | DC2B0    | CCP2M3           | CCP2M2   | CCP2M1   | CCP2M0   | 0000 0000         | 71               |
| CTMUCONH  | CTMUEN  | —        | CTMUSIDL | TGEN     | EDGEN            | EDGSEQEN | IDISSEN  | —        | 0-00 000-         | 71               |
| CTMUCONL  | EDG2POL   | EDG2SEL1 | EDG2SEL0 | EDG1POL  | EDG1SEL1         | EDG1SEL0 | EDG2STAT | EDG1STAT | 0000 00xx         | 71               |
| CTMUICON  | ITRIM5  | ITRIM4   | ITRIM3   | ITRIM2   | ITRIM1           | ITRIM0   | IRNG1    | IRNG0    | 0000 0000         | 71               |
| SPBRG1    | EUSART1 Baud Rate Generator Register Low Byte               |          |          |          |                  |          |          |          | 0000 0000         | 71, 327          |
| RCREG1    | EUSART1 Receive Register                                    |          |          |          |                  |          |          |          | 0000 0000         | 71, 336, 328     |
| TXREG1    | EUSART1 Transmit Register                                   |          |          |          |                  |          |          |          | xxxx xxxx         | 71, 336, 335     |
| TXSTA1    | CSRC  | TX9      | TXEN     | SYNC     | SENDB            | BRGH     | TRMT     | TX9D     | 0000 0010         | 71, 333          |
| RCSTA1    | SPEN  | RX9      | SREN     | CREN     | ADDEN            | FERR     | OERR     | RX9D     | 0000 000x         | 71, 336          |
| SPBRG2    | EUSART2 Baud Rate Generator Register Low Byte               |          |          |          |                  |          |          |          | 0000 0000         | 71, 327          |
| RCREG2    | EUSART2 Receive Register                                    |          |          |          |                  |          |          |          | 0000 0000         | 71, 336, 338     |
| TXREG2    | EUSART2 Transmit Register                                   |          |          |          |                  |          |          |          | 0000 0000         | 71, 333, 335     |
| TXSTA2    | CSRC  | TX9      | TXEN     | SYNC     | SENDB            | BRGH     | TRMT     | TX9D     | 0000 0010         | 71, 333          |
| EECON2    | Program Memory Control Register 2 (not a physical register) |          |          |          |                  |          |          |          | ---- ----         | 71, 104          |
| EECON1    | —   | —        | WPROG    | FREE     | WRERR            | WREN     | WR       | —        | --00 x00-         | 71, 104          |
| IPR3      | SSP2IP  | BCL2IP   | RC2IP    | TX2IP    | TMR4IP           | CTMUIP   | TMR3GIP  | RTCCIP   | 1111 1111         | 71, 126          |
| PIR3      | SSP2IF  | BCL2IF   | RC2IF    | TX2IF    | TMR4IF           | CTMUIF   | TMR3GIF  | RTCCIF   | 0000 0000         | 71, 120          |
| PIE3      | SSP2IE  | BCL2IE   | RC2IE    | TX2IE    | TMR4IE           | CTMUIE   | TMR3GIE  | RTCCIE   | 0000 0000         | 71, 123          |
| IPR2      | OSCFIP  | CM2IP    | CM1IP    | USBIP    | BCL1IP           | HLVDIP   | TMR3IP   | CCP2IP   | 1111 1111         | 71, 126          |
| PIR2      | OSCFIF  | CM2IF    | CM1IF    | USBIF    | BCL1IF           | HLVDIF   | TMR3IF   | CCP2IF   | 0000 0000         | 71, 120          |
| PIE2      | OSCFIE  | CM2IE    | CM1IE    | USBIE    | BCL1IE           | HLVDIE   | TMR3IE   | CCP2IE   | 0000 0000         | 71, 123          |
| IPR1      | PMPIP <sup>(5)</sup>  | ADIP     | RC1IP    | TX1IP    | SSP1IP           | CCP1IP   | TMR2IP   | TMR1IP   | 1111 1111         | 71, 126          |
| PIR1      | PMPIF <sup>(5)</sup>  | ADIF     | RC1IF    | TX1IF    | SSP1IF           | CCP1IF   | TMR2IF   | TMR1IF   | 0000 0000         | 71, 120          |
| PIE1      | PMPIE <sup>(5)</sup>  | ADIE     | RC1IE    | TX1IE    | SSP1IE           | CCP1IE   | TMR2IE   | TMR1IE   | 0000 0000         | 71, 123          |
| RCSTA2    | SPEN  | RX9      | SREN     | CREN     | ADDEN            | FERR     | OERR     | RX9D     | 0000 000x         | 72, 336          |
| OSCTUNE   | INTSRC  | PLLEN    | TUN5     | TUN4     | TUN3             | TUN2     | TUN1     | TUN0     | 0000 0000         | 72, 39           |
| T1GCON    | TMR1GE  | T1GPOL   | T1GTM    | T1GSPM   | T1GGO/<br>T1DONE | T1GVAL   | T1GSS1   | T1GSS0   | 0000 0x00         | 201              |
| RTCVALH   | RTCC Value Register Window High Byte, Based on RTCPTR<1:0>  |          |          |          |                  |          |          |          | 0xxxx xxxxx       | 72, 231          |
| RTCVALL   | RTCC Value Register Window Low Byte, Based on RTCPTR<1:0>   |          |          |          |                  |          |          |          | 0xxxx xxxxx       | 72, 231          |

**Legend:** x = unknown, u = unchanged, - = unimplemented, q = value depends on condition, r = reserved. **Bold** indicates shared access SFRs.

- Note**
- 1: Bit 21 of the PC is only available in Serial Programming (SP) modes.
  - 2: Reset value is '0' when Two-Speed Start-up is enabled and '1' if disabled.
  - 3: The SSPxMSK registers are only accessible when SSPxCON2<3:0> = 1001.
  - 4: Alternate names and definitions for these bits when the MSSP module is operating in I<sup>2</sup>C™ Slave mode. See [Section 19.5.3.2 "Address Masking Modes"](#) for details.
  - 5: These bits and/or registers are only available on 44-pin devices; otherwise, they are unimplemented and read as '0'. Reset values are shown for 44-pin devices.
  - 6: The PMADDRH/PMDOOUT1H and PMADDRL/PMDOOUT1L register pairs share the same physical registers and addresses, but have different functions determined by the module's operating mode. See [Section 11.1.2 "Data Registers"](#) for more information.
  - 7: The TRISA6 and TRISA7 bits are only implemented when the pins are not configured for primary oscillator functions.

# PIC18F46J50 FAMILY

**TABLE 6-4: REGISTER FILE SUMMARY (PIC18F46J50 FAMILY) (CONTINUED)**

| File Name              | Bit 7   | Bit 6                 | Bit 5    | Bit 4    | Bit 3            | Bit 2   | Bit 1    | Bit 0    | Value on POR, BOR | Details on Page: |
|------------------------|---|-----------------------|----------|----------|------------------|---------|----------|----------|-------------------|------------------|
| T3GCON                 | TMR3GE  | T3GPOL                | T3GTM    | T3GSPM   | T3GGO/<br>T3DONE | T3GVAL  | T3GSS1   | T3GSS0   | 0000 0x00         | 72, 214          |
| TRISE                  | —   | —                     | —        | —        | —                | TRISE2  | TRISE1   | TRISE0   | ---- -111         | 72               |
| TRISD                  | TRISD7  | TRISD6                | TRISD5   | TRISD4   | TRISD3           | TRISD2  | TRISD1   | TRISD0   | 1111 1111         | 72, 146          |
| TRISC                  | TRISC7  | TRISC6                | —        | —        | —                | TRISC2  | TRISC1   | TRISC0   | 11-- -111         | 72, 143          |
| TRISB                  | TRISB7  | TRISB6                | TRISB5   | TRISB4   | TRISB3           | TRISB2  | TRISB1   | TRISB0   | 1111 1111         | 72, 139          |
| TRISA                  | TRISA7 <sup>(7)</sup>   | TRISA6 <sup>(7)</sup> | TRISA5   | —        | TRISA3           | TRISA2  | TRISA1   | TRISA0   | qq1- 1111         | 72, 136          |
| ALRMCFG                | ALRMEN  | CHIME                 | AMASK3   | AMASK2   | AMASK1           | AMASK0  | ALRMPTR1 | ALRMPTR0 | 0000 0000         | 72, 229          |
| ALRMRPT                | ARPT7   | ARPT6                 | ARPT5    | ARPT4    | ARPT3            | ARPT2   | ARPT1    | ARPT0    | 0000 0000         | 72, 230          |
| ALRMVALH               | Alarm Value Register Window High Byte, Based on ALRMPTR<1:0>  |                       |          |          |                  |         |          |          | xxxx xxxx         | 72, 234          |
| ALRMVALL               | Alarm Value Register Window Low Byte, Based on ALRMPTR<1:0>   |                       |          |          |                  |         |          |          | xxxx xxxx         | 72, 234          |
| LATE                   | —   | —                     | —        | —        | —                | LATE2   | LATE1    | LATE0    | ---- -xxxx        | 72, 149          |
| LATD                   | LATD7   | LATD6                 | LATD5    | LATD4    | LATD3            | LATD2   | LATD1    | LATD0    | xxxx xxxx         | 72, 147          |
| LATC                   | LATC7   | LATC6                 | —        | —        | —                | LATC2   | LATC1    | LATC0    | xxxx -xxxx        | 72, 142          |
| LATB                   | LATB7   | LATB6                 | LATB5    | LATB4    | LATB3            | LATB2   | LATB1    | LATB0    | xxxx xxxx         | 72, 142          |
| LATA                   | LATA7   | LATA6                 | LATA5    | —        | LATA3            | LATA2   | LATA1    | LATA0    | xxx- xxxx         | 72, 142          |
| DMACON1                | SSCON1  | SSCON0                | TXINC    | RXINC    | DUPLEX1          | DUPLEX0 | DLYINTEN | DMAEN    | 0000 0000         | 72, 282          |
| DMATXBUF               | SPI DMA Transmit Buffer   |                       |          |          |                  |         |          |          | xxxx xxxx         | 72               |
| DMACON2                | DLYCYC3   | DLYCYC2               | DLYCYC1  | DLYCYC0  | INTLVL3          | INTLVL2 | INTLVL1  | INTLVL0  | 0000 0000         | 72, 283          |
| HLVDCON                | VDIRMAG   | BGVST                 | IRVST    | HLVDEN   | HLVDL3           | HLVDL2  | HLVDL1   | HLVDL0   | 0000 0000         | 72               |
| PORTE                  | RDPUR   | REPU                  | —        | —        | —                | RE2     | RE1      | RE0      | 00-- -xxxx        | 72, 132          |
| PORTD                  | RD7   | RD6                   | RD5      | RD4      | RD3              | RD2     | RD1      | RD0      | xxxx xxxx         | 72, 132          |
| PORTC                  | RC7   | RC6                   | RC5      | RC4      | —                | RC2     | RC1      | RC0      | xxxx -xxxx        | 72, 132          |
| PORTB                  | RB7   | RB6                   | RB5      | RB4      | RB3              | RB2     | RB1      | RB0      | xxxx xxxx         | 72, 132          |
| PORTA                  | RA7   | RA6                   | RA5      | —        | RA3              | RA2     | RA1      | RA0      | xxx- xxxx         | 72, 356          |
| SPBRGH1                | EUSART1 Baud Rate Generator Register High Byte  |                       |          |          |                  |         |          |          | 0000 0000         | 72, 327          |
| BAUDCON1               | ABDOVF  | RCIDL                 | RXDTP    | TXCKP    | BRG16            | —       | WUE      | ABDEN    | 0100 0-00         | 72, 327          |
| SPBRGH2                | EUSART2 Baud Rate Generator Register High Byte  |                       |          |          |                  |         |          |          | 0000 0000         | 72, 327          |
| BAUDCON2               | ABDOVF  | RCIDL                 | RXDTP    | TXCKP    | BRG16            | —       | WUE      | ABDEN    | 0100 0-00         | 72, 327          |
| TMR3H                  | Timer3 Register High Byte   |                       |          |          |                  |         |          |          | xxxx xxxx         | 73, 197          |
| TMR3L                  | Timer3 Register Low Byte  |                       |          |          |                  |         |          |          | xxxx xxxx         | 73, 197          |
| T3CON                  | TMR3CS1   | TMR3CS0               | T3CKPS1  | T3CKPS0  | T3OSCEN          | T3SYNC  | RD16     | TMR3ON   | 0000 0000         | 73, 197          |
| TMR4                   | Timer4 Register   |                       |          |          |                  |         |          |          | 0000 0000         | 73, 223          |
| PR4                    | Timer4 Period Register  |                       |          |          |                  |         |          |          | 1111 1111         | 73, 197          |
| T4CON                  | —   | T4OUTPS3              | T4OUTPS2 | T4OUTPS1 | T4OUTPS0         | TMR4ON  | T4CKPS1  | T4CKPS0  | -000 0000         | 73, 223          |
| SSP2BUF                | MSSP2 Receive Buffer/Transmit Register  |                       |          |          |                  |         |          |          | xxxx xxxx         | 73, 288, 322     |
| SSP2ADD/               | MSSP2 Address Register (I <sup>2</sup> C™ Slave mode), MSSP2 Baud Rate Reload Register (I <sup>2</sup> C Master mode) |                       |          |          |                  |         |          |          | 0000 0000         | 73, 288          |
| SSP2MSK <sup>(4)</sup> | MSK7  | MSK6                  | MSK5     | MSK4     | MSK3             | MSK2    | MSK1     | MSK0     | 1111 1111         | 73, 295          |
| SSP2STAT               | SMP   | CKE                   | D/A      | P        | S                | R/W     | UA       | BF       | 0000 0000         | 73, 270, 310     |
| SSP2CON1               | WCOL  | SSPOV                 | SSPEN    | CKP      | SSPM3            | SSPM2   | SSPM1    | SSPM0    | 0000 0000         | 73, 270, 322     |

**Legend:** x = unknown, u = unchanged, - = unimplemented, q = value depends on condition, r = reserved. **Bold** indicates shared access SFRs.

- Note**
- 1: Bit 21 of the PC is only available in Serial Programming (SP) modes.
  - 2: Reset value is '0' when Two-Speed Start-up is enabled and '1' if disabled.
  - 3: The SSPxMSK registers are only accessible when SSPxCON2<3:0> = 1001.
  - 4: Alternate names and definitions for these bits when the MSSP module is operating in I<sup>2</sup>C™ Slave mode. See [Section 19.5.3.2 "Address Masking Modes"](#) for details.
  - 5: These bits and/or registers are only available on 44-pin devices; otherwise, they are unimplemented and read as '0'. Reset values are shown for 44-pin devices.
  - 6: The PMADDRH/PMDOU1H and PMADDRL/PMDOU1L register pairs share the same physical registers and addresses, but have different functions determined by the module's operating mode. See [Section 11.1.2 "Data Registers"](#) for more information.
  - 7: The TRISA6 and TRISA7 bits are only implemented when the pins are not configured for primary oscillator functions.

# PIC18F46J50 FAMILY

**TABLE 6-4: REGISTER FILE SUMMARY (PIC18F46J50 FAMILY) (CONTINUED)**

| File Name                 | Bit 7   | Bit 6   | Bit 5                                  | Bit 4                 | Bit 3                                  | Bit 2                 | Bit 1                        | Bit 0   | Value on POR, BOR | Details on Page: |
|---------------------------|---|---------|--|-----------------------|--|-----------------------|------------------------------|---------|-------------------|------------------|
| SSP2CON2                  | GCEN  | ACKSTAT | ACKDT                                  | ACKEN                 | RCEN                                   | PEN                   | RSEN                         | SEN     | 0000 0000         | 73, 270, 322     |
|                           | GCEN  | ACKSTAT | ADMSK5 <sup>(4)</sup>                  | ADMSK4 <sup>(4)</sup> | ADMSK3 <sup>(4)</sup>                  | ADMSK2 <sup>(4)</sup> | ADMSK1 <sup>(4)</sup>        | SEN     |                   |                  |
| CMSTAT                    | —   | —       | —                                      | —                     | —                                      | —                     | COUT2                        | COUT1   | ---- --11         | 73, 389          |
| PMADDRH/                  | —   | CS1     | Parallel Master Port Address High Byte |                       |  |                       |                              |         | —000 0000         | 73, 177          |
| PMDOUT1H <sup>(5,6)</sup> | Parallel Port Out Data High Byte (Buffer 1)   |         |  |                       |  |                       |                              |         | 0000 0000         | 73, 180          |
| PMADDRL/                  | Parallel Master Port Address Low Byte   |         |  |                       |  |                       |                              |         | 0000 0000         | 73, 176          |
| PMDOUT1L <sup>(5,6)</sup> | Parallel Port Out Data Low Byte (Buffer 0)  |         |  |                       |  |                       |                              |         | 0000 0000         | 73, 177          |
| PMDIN1H <sup>(5)</sup>    | Parallel Port In Data High Byte (Buffer 1)  |         |  |                       |  |                       |                              |         | 0000 0000         | 73, 177          |
| PMDIN1L <sup>(5)</sup>    | Parallel Port In Data Low Byte (Buffer 0)   |         |  |                       |  |                       |                              |         | 0000 0000         | 73, 177          |
| TXADDRL                   | SPI DMA Transit Data Pointer Low Byte   |         |  |                       |  |                       |                              |         | xxxx xxxx         | 73, 284          |
| TXADDRH                   | —   | —       | —                                      | —                     | SPI DMA Transit Data Pointer High Byte |                       |                              | —       | ---- xxxxx        | 73, 284          |
| RXADDRL                   | SPI DMA Receive Data Pointer Low Byte   |         |  |                       |  |                       |                              |         | xxxx xxxx         | 73, 284          |
| RXADDRH                   | —   | —       | —                                      | —                     | SPI DMA Receive Data Pointer High Byte |                       |                              | —       | ---- xxxxx        | 73, 284          |
| DMABCL                    | SPI DMA Byte Count Low Byte   |         |  |                       |  |                       |                              |         | xxxx xxxx         | 73, 284          |
| DMABCH                    | —   | —       | —                                      | —                     | —                                      | —                     | SPI DMA Byte Count High Byte |         | ---- --xx         | 73, 284          |
| UCON                      | —   | PPBRST  | SE0                                    | PKTDIS                | USBEN                                  | RESUME                | SUSPND                       | —       | -0x0 000-         | 73, 359          |
| USTAT                     | —   | ENDP3   | ENDP2                                  | ENDP1                 | ENDP0                                  | DIR                   | PPBI                         | —       | -xxx xxxx-        | 73, 363          |
| UEIR                      | BTSEF   | —       | —                                      | BTOEF                 | DFN8EF                                 | CRC16EF               | CRC5EF                       | PIDEF   | 0--0 0000         | 73, 376          |
| UIR                       | —   | SOFIF   | STALLIF                                | IDLEIF                | TRNIF                                  | ACTVIF                | UERRIF                       | URSTIF  | -000 0000         | 73, 373          |
| UFRMH                     | —   | —       | —                                      | —                     | —                                      | FRM10                 | FRM9                         | FRM8    | ---- -xxx         | 73, 365          |
| UFRML                     | FRM7  | FRM6    | FRM5                                   | FRM4                  | FRM3                                   | FRM2                  | FRM1                         | FRM0    | xxxx xxxxx        | 73, 365          |
| PMCONH <sup>(5)</sup>     | PMPEN   | —       | —                                      | ADRMUX1               | ADRMUX0                                | PTBEEN                | PTWREN                       | PTRDEN  | 0--0 0000         | 73, 170          |
| PMCONL <sup>(5)</sup>     | CSF1  | CSF0    | ALP                                    | —                     | CS1P                                   | BEP                   | WRSP                         | RDSP    | 000- 0000         | 73, 171          |
| PMMODEH <sup>(5)</sup>    | BUSY  | IRQM1   | IRQM0                                  | INCM1                 | INCM0                                  | MODE16                | MODE1                        | MODE0   | 0000 0000         | 74, 172          |
| PMMODEL <sup>(5)</sup>    | WAITB1  | WAITB0  | WAITM3                                 | WAITM2                | WAITM1                                 | WAITM0                | WAITE1                       | WAITE0  | 0000 0000         | 74, 173          |
| PMDOUT2H <sup>(5)</sup>   | Parallel Port Out Data High Byte (Buffer 3)   |         |  |                       |  |                       |                              |         | 0000 0000         | 74, 176          |
| PMDOUT2L <sup>(5)</sup>   | Parallel Port Out Data Low Byte (Buffer 2)  |         |  |                       |  |                       |                              |         | 0000 0000         | 74, 176          |
| PMDIN2H <sup>(5)</sup>    | Parallel Port In Data High Byte (Buffer 3)  |         |  |                       |  |                       |                              |         | 0000 0000         | 74, 176          |
| PMDIN2L <sup>(5)</sup>    | Parallel Port In Data Low Byte (Buffer 2)   |         |  |                       |  |                       |                              |         | 0000 0000         | 74, 176          |
| PMEH <sup>(5)</sup>       | PTEN15  | PTEN14  | PTEN13                                 | PTEN12                | PTEN11                                 | PTEN10                | PTEN9                        | PTEN8   | 0000 0000         | 74, 174          |
| PMEL <sup>(5)</sup>       | PTEN7   | PTEN6   | PTEN5                                  | PTEN4                 | PTEN3                                  | PTEN2                 | PTEN1                        | PTEN0   | 0000 0000         | 74, 174          |
| PMSTATH <sup>(5)</sup>    | IBF   | IBOV    | —                                      | —                     | IB3F                                   | IB2F                  | IB1F                         | IB0F    | 00-- 0000         | 74, 175          |
| PMSTATL <sup>(5)</sup>    | OBE   | OBUF    | —                                      | —                     | OB3E                                   | OB2E                  | OB1E                         | OB0E    | 10-- 1111         | 74, 175          |
| CVRCON                    | CVREN   | CVROE   | CVRR                                   | r                     | CVR3                                   | CVR2                  | CVR1                         | CVR0    | 0000 0000         | 74, 392          |
| TCLKCON                   | —   | —       | —                                      | T1RUN                 | —                                      | —                     | T3CCP2                       | T3CCP1  | ---0 --00         | 202              |
| DSGPR1                    | Deep Sleep Persistent General Purpose Register (contents retained even in Deep Sleep) |         |  |                       |  |                       |                              |         | uuuu uuuu         | 58               |
| DSGPR0                    | Deep Sleep Persistent General Purpose Register (contents retained even in Deep Sleep) |         |  |                       |  |                       |                              |         | uuuu uuuu         | 58               |
| DSCONH                    | DSEN  | —       | —                                      | —                     | —                                      | r                     | DSULPEN                      | RTCWDIS | 0--- -000         | 57               |
| DSCONL                    | —   | —       | —                                      | —                     | —                                      | ULPWDIS               | DSBOR                        | RELEASE | ---- -000         | 57               |
| DSWAKEH                   | —   | —       | —                                      | —                     | —                                      | —                     | —                            | DSINT0  | ---- --0          | 59               |
| DSWAKEL                   | DSFLT   | —       | DSULP                                  | DSWDT                 | DSRTC                                  | DSMCLR                | —                            | DSPOR   | 0-00 00-1         | 59               |

**Legend:** x = unknown, u = unchanged, - = unimplemented, q = value depends on condition, r = reserved. **Bold** indicates shared access SFRs.

- Note**
- 1: Bit 21 of the PC is only available in Serial Programming (SP) modes.
  - 2: Reset value is '0' when Two-Speed Start-up is enabled and '1' if disabled.
  - 3: The SSPxMSK registers are only accessible when SSPxCON2<3:0> = 1001.
  - 4: Alternate names and definitions for these bits when the MSSP module is operating in I<sup>2</sup>C™ Slave mode. See [Section 19.5.3.2 "Address Masking Modes"](#) for details.
  - 5: These bits and/or registers are only available on 44-pin devices; otherwise, they are unimplemented and read as '0'. Reset values are shown for 44-pin devices.
  - 6: The PMADDRH/PMDOUT1H and PMADDRL/PMDOUT1L register pairs share the same physical registers and addresses, but have different functions determined by the module's operating mode. See [Section 11.1.2 "Data Registers"](#) for more information.
  - 7: The TRISA6 and TRISA7 bits are only implemented when the pins are not configured for primary oscillator functions.

# PIC18F46J50 FAMILY

**TABLE 6-4: REGISTER FILE SUMMARY (PIC18F46J50 FAMILY) (CONTINUED)**

| File Name | Bit 7                | Bit 6                | Bit 5                | Bit 4   | Bit 3    | Bit 2     | Bit 1     | Bit 0   | Value on POR, BOR | Details on Page:        |                         |
|-----------|----------------------|----------------------|----------------------|---|----------|-----------|-----------|---------|-------------------|-------------------------|-------------------------|
| ANCON1    | VBGEN                | r                    | —                    | PCFG12  | PCFG11   | PCFG10    | PCFG9     | PCFG8   | 00-0 0000         | <a href="#">74, 348</a> |                         |
| ANCON0    | PCFG7 <sup>(5)</sup> | PCFG6 <sup>(5)</sup> | PCFG5 <sup>(5)</sup> | PCFG4   | PCFG3    | PCFG2     | PCFG1     | PCFG0   | 0000 0000         | <a href="#">74, 347</a> |                         |
| ODCON1    | —                    | —                    | —                    | —   | —        | —         | ECCP20D   | ECCP10D | ---- --00         | <a href="#">74, 134</a> |                         |
| ODCON2    | —                    | —                    | —                    | —   | —        | —         | U2OD      | U1OD    | ---- --00         | <a href="#">74, 134</a> |                         |
| ODCON3    | —                    | —                    | —                    | —   | —        | —         | SPI2OD    | SPI1OD  | ---- --00         | <a href="#">74, 135</a> |                         |
| RTCCFG    | RTCEN                | —                    | RTCWREN              | RTCSYNC   | HALFSEC  | RTCOE     | RTCPTR1   | RTCPTRO | 0-00 0000         | <a href="#">74, 227</a> |                         |
| RTCCAL    | CAL7                 | CAL6                 | CAL5                 | CAL4  | CAL3     | CAL2      | CAL1      | CAL0    | 0000 0000         | <a href="#">74, 228</a> |                         |
| REFOCON   | ROON                 | —                    | ROSSLP               | ROSEL   | RODIV3   | RODIV2    | RODIV1    | RODIV0  | 0-00 0000         | <a href="#">74, 44</a>  |                         |
| PADCFG1   | —                    | —                    | —                    | —   | —        | RTSECSEL1 | RTSECSEL0 | PMP TTL | ---- -000         | <a href="#">74, 135</a> |                         |
| UCFG      | UTEYE                | UOEMON               | —                    | UPUEN   | UTRDIS   | FSEN      | PPB1      | PPB0    | 00-0 0000         | <a href="#">74, 360</a> |                         |
| UADDR     | —                    | ADDR6                | ADDR5                | ADDR4   | ADDR3    | ADDR2     | ADDR1     | ADDR0   | -000 0000         | <a href="#">74, 365</a> |                         |
| UEIE      | BTSEE                | —                    | —                    | BTOEE   | DFN8EE   | CRC16EE   | CRC5EE    | PIDEE   | 0--0 0000         | <a href="#">74, 377</a> |                         |
| UIE       | —                    | SOFIE                | STALLIE              | IDLEIE  | TRNIE    | ACTVIE    | UERRIE    | URSTIE  | -000 0000         | <a href="#">74, 375</a> |                         |
| UEP15     | —                    | —                    | —                    | EPHSK   | EPCONDIS | EPOUTEN   | EPINEN    | EPSTALL | ---0 0000         | <a href="#">74, 364</a> |                         |
| UEP14     | —                    | —                    | —                    | EPHSK   | EPCONDIS | EPOUTEN   | EPINEN    | EPSTALL | ---0 0000         | <a href="#">74, 364</a> |                         |
| UEP13     | —                    | —                    | —                    | EPHSK   | EPCONDIS | EPOUTEN   | EPINEN    | EPSTALL | ---0 0000         | <a href="#">74, 364</a> |                         |
| UEP12     | —                    | —                    | —                    | EPHSK   | EPCONDIS | EPOUTEN   | EPINEN    | EPSTALL | ---0 0000         | <a href="#">74, 364</a> |                         |
| UEP11     | —                    | —                    | —                    | EPHSK   | EPCONDIS | EPOUTEN   | EPINEN    | EPSTALL | ---0 0000         | <a href="#">74, 364</a> |                         |
| UEP10     | —                    | —                    | —                    | EPHSK   | EPCONDIS | EPOUTEN   | EPINEN    | EPSTALL | ---0 0000         | <a href="#">74, 364</a> |                         |
| UEP9      | —                    | —                    | —                    | EPHSK   | EPCONDIS | EPOUTEN   | EPINEN    | EPSTALL | ---0 0000         | <a href="#">74, 364</a> |                         |
| UEP8      | —                    | —                    | —                    | EPHSK   | EPCONDIS | EPOUTEN   | EPINEN    | EPSTALL | ---0 0000         | <a href="#">74, 364</a> |                         |
| UEP7      | —                    | —                    | —                    | EPHSK   | EPCONDIS | EPOUTEN   | EPINEN    | EPSTALL | ---0 0000         | <a href="#">74, 364</a> |                         |
| UEP6      | —                    | —                    | —                    | EPHSK   | EPCONDIS | EPOUTEN   | EPINEN    | EPSTALL | ---0 0000         | <a href="#">75, 364</a> |                         |
| UEP5      | —                    | —                    | —                    | EPHSK   | EPCONDIS | EPOUTEN   | EPINEN    | EPSTALL | ---0 0000         | <a href="#">75, 364</a> |                         |
| UEP4      | —                    | —                    | —                    | EPHSK   | EPCONDIS | EPOUTEN   | EPINEN    | EPSTALL | ---0 0000         | <a href="#">75, 364</a> |                         |
| UEP3      | —                    | —                    | —                    | EPHSK   | EPCONDIS | EPOUTEN   | EPINEN    | EPSTALL | ---0 0000         | <a href="#">75, 364</a> |                         |
| UEP2      | —                    | —                    | —                    | EPHSK   | EPCONDIS | EPOUTEN   | EPINEN    | EPSTALL | ---0 0000         | <a href="#">75, 364</a> |                         |
| UEP1      | —                    | —                    | —                    | EPHSK   | EPCONDIS | EPOUTEN   | EPINEN    | EPSTALL | ---0 0000         | <a href="#">75, 364</a> |                         |
| UEP0      | —                    | —                    | —                    | EPHSK   | EPCONDIS | EPOUTEN   | EPINEN    | EPSTALL | ---0 0000         | <a href="#">75, 364</a> |                         |
| PPSCON    | —                    | —                    | —                    | —   | —        | —         | —         | IOLOCK  | ---- --0          | <a href="#">155</a>     |                         |
| RPINR24   | —                    | —                    | —                    | Input Function FLT0 to Input Pin Mapping Bits             |          |           |           |         | ---               | 1111                    | <a href="#">75, 160</a> |
| RPINR23   | —                    | —                    | —                    | Input Function $\overline{SS2}$ to Input Pin Mapping Bits |          |           |           |         | ---               | 1111                    | <a href="#">75, 160</a> |
| RPINR22   | —                    | —                    | —                    | Input Function SCK2 to Input Pin Mapping Bits             |          |           |           |         | ---               | 1111                    | <a href="#">75, 160</a> |
| RPINR21   | —                    | —                    | —                    | Input Function SDI2 to Input Pin Mapping Bits             |          |           |           |         | ---               | 1111                    | <a href="#">75, 159</a> |
| RPINR17   | —                    | —                    | —                    | Input Function CK2 to Input Pin Mapping Bits              |          |           |           |         | ---               | 1111                    | <a href="#">75, 159</a> |
| RPINR16   | —                    | —                    | —                    | Input Function RX2DT2 to Input Pin Mapping Bits           |          |           |           |         | ---               | 1111                    | <a href="#">75</a>      |
| RPINR13   | —                    | —                    | —                    | Input Function T3G to Input Pin Mapping Bits              |          |           |           |         | ---               | 1111                    | <a href="#">75</a>      |
| RPINR12   | —                    | —                    | —                    | Input Function T1G to Input Pin Mapping Bits              |          |           |           |         | ---               | 1111                    | <a href="#">75, 158</a> |
| RPINR8    | —                    | —                    | —                    | Input Function IC2 to Input Pin Mapping Bits              |          |           |           |         | ---               | 1111                    | <a href="#">75, 158</a> |
| RPINR7    | —                    | —                    | —                    | Input Function IC1 to Input Pin Mapping Bits              |          |           |           |         | ---               | 1111                    | <a href="#">75, 157</a> |
| RPINR6    | —                    | —                    | —                    | Input Function T3CKI to Input Pin Mapping Bits            |          |           |           |         | ---               | 1111                    | <a href="#">75, 157</a> |
| RPINR4    | —                    | —                    | —                    | Input Function T0CKI to Input Pin Mapping Bits            |          |           |           |         | ---               | 1111                    | <a href="#">75, 157</a> |

**Legend:** x = unknown, u = unchanged, - = unimplemented, q = value depends on condition, r = reserved. **Bold** indicates shared access SFRs.

- Note**
- 1: Bit 21 of the PC is only available in Serial Programming (SP) modes.
  - 2: Reset value is '0' when Two-Speed Start-up is enabled and '1' if disabled.
  - 3: The SSPxMSK registers are only accessible when SSPxCON2<3:0> = 1001.
  - 4: Alternate names and definitions for these bits when the MSSP module is operating in I<sup>2</sup>C™ Slave mode. See [Section 19.5.3.2 "Address Masking Modes"](#) for details.
  - 5: These bits and/or registers are only available on 44-pin devices; otherwise, they are unimplemented and read as '0'. Reset values are shown for 44-pin devices.
  - 6: The PMADDRH/PMDOUT1H and PMADDRL/PMDOUT1L register pairs share the same physical registers and addresses, but have different functions determined by the module's operating mode. See [Section 11.1.2 "Data Registers"](#) for more information.
  - 7: The TRISA6 and TRISA7 bits are only implemented when the pins are not configured for primary oscillator functions.

# PIC18F46J50 FAMILY

**TABLE 6-4: REGISTER FILE SUMMARY (PIC18F46J50 FAMILY) (CONTINUED)**

| File Name             | Bit 7 | Bit 6 | Bit 5 | Bit 4   | Bit 3 | Bit 2 | Bit 1 | Bit 0 | Value on POR, BOR | Details on Page:        |
|-----------------------|-------|-------|-------|---|-------|-------|-------|-------|-------------------|-------------------------|
| RPINR3                | —     | —     | —     | Input Function INT3 to Input Pin Mapping Bits |       |       |       | ---   | 1111              | <a href="#">76, 156</a> |
| RPINR2                | —     | —     | —     | Input Function INT2 to Input Pin Mapping Bits |       |       |       | ---   | 1111              | <a href="#">76</a>      |
| RPINR1                | —     | —     | —     | Input Function INT1 to Input Pin Mapping Bits |       |       |       | ---   | 1111              | <a href="#">76, 156</a> |
| RPOR24 <sup>(5)</sup> | —     | —     | —     | Remappable Pin RP24 Output Signal Select Bits |       |       |       | ---   | 0000              | <a href="#">76, 168</a> |
| RPOR23 <sup>(5)</sup> | —     | —     | —     | Remappable Pin RP23 Output Signal Select Bits |       |       |       | ---   | 0000              | <a href="#">76, 167</a> |
| RPOR22 <sup>(5)</sup> | —     | —     | —     | Remappable Pin RP22 Output Signal Select Bits |       |       |       | ---   | 0000              | <a href="#">76, 167</a> |
| RPOR21 <sup>(5)</sup> | —     | —     | —     | Remappable Pin RP21 Output Signal Select Bits |       |       |       | ---   | 0000              | <a href="#">76, 167</a> |
| RPOR20 <sup>(5)</sup> | —     | —     | —     | Remappable Pin RP20 Output Signal Select Bits |       |       |       | ---   | 0000              | <a href="#">76, 166</a> |
| RPOR19 <sup>(5)</sup> | —     | —     | —     | Remappable Pin RP19 Output Signal Select Bits |       |       |       | ---   | 0000              | <a href="#">76, 166</a> |
| RPOR18                | —     | —     | —     | Remappable Pin RP18 Output Signal Select Bits |       |       |       | ---   | 0000              | <a href="#">76, 166</a> |
| RPOR17                | —     | —     | —     | Remappable Pin RP17 Output Signal Select Bits |       |       |       | ---   | 0000              | <a href="#">76, 165</a> |
| RPOR13                | —     | —     | —     | Remappable Pin RP13 Output Signal Select Bits |       |       |       | ---   | 0000              | <a href="#">76, 165</a> |
| RPOR12                | —     | —     | —     | Remappable Pin RP12 Output Signal Select Bits |       |       |       | ---   | 0000              | <a href="#">76, 165</a> |
| RPOR11                | —     | —     | —     | Remappable Pin RP11 Output Signal Select Bits |       |       |       | ---   | 0000              | <a href="#">76, 164</a> |
| RPOR10                | —     | —     | —     | Remappable Pin RP10 Output Signal Select Bits |       |       |       | ---   | 0000              | <a href="#">76, 164</a> |
| RPOR9                 | —     | —     | —     | Remappable Pin RP9 Output Signal Select Bits  |       |       |       | ---   | 0000              | <a href="#">76, 164</a> |
| RPOR8                 | —     | —     | —     | Remappable Pin RP8 Output Signal Select Bits  |       |       |       | ---   | 0000              | <a href="#">76, 163</a> |
| RPOR7                 | —     | —     | —     | Remappable Pin RP7 Output Signal Select Bits  |       |       |       | ---   | 0000              | <a href="#">76, 163</a> |
| RPOR6                 | —     | —     | —     | Remappable Pin RP6 Output Signal Select Bits  |       |       |       | ---   | 0000              | <a href="#">76, 163</a> |
| RPOR5                 | —     | —     | —     | Remappable Pin RP5 Output Signal Select Bits  |       |       |       | ---   | 0000              | <a href="#">76, 162</a> |
| RPOR4                 | —     | —     | —     | Remappable Pin RP4 Output Signal Select Bits  |       |       |       | ---   | 0000              | <a href="#">76, 162</a> |
| RPOR3                 | —     | —     | —     | Remappable Pin RP3 Output Signal Select Bits  |       |       |       | ---   | 0000              | <a href="#">76, 162</a> |
| RPOR2                 | —     | —     | —     | Remappable Pin RP2 Output Signal Select Bits  |       |       |       | ---   | 0000              | <a href="#">76, 161</a> |
| RPOR1                 | —     | —     | —     | Remappable Pin RP1 Output Signal Select Bits  |       |       |       | ---   | 0000              | <a href="#">76, 161</a> |
| RPOR0                 | —     | —     | —     | Remappable Pin RP0 Output Signal Select Bits  |       |       |       | ---   | 0000              | <a href="#">76, 161</a> |

**Legend:** x = unknown, u = unchanged, - = unimplemented, c = value depends on condition, r = reserved. **Bold** indicates shared access SFRs.

- Note**
- 1: Bit 21 of the PC is only available in Serial Programming (SP) modes.
  - 2: Reset value is '0' when Two-Speed Start-up is enabled and '1' if disabled.
  - 3: The SSPxMSK registers are only accessible when SSPxCON2<3:0> = 1001.
  - 4: Alternate names and definitions for these bits when the MSSP module is operating in I<sup>2</sup>C™ Slave mode. See [Section 19.5.3.2 “Address Masking Modes”](#) for details.
  - 5: These bits and/or registers are only available on 44-pin devices; otherwise, they are unimplemented and read as '0'. Reset values are shown for 44-pin devices.
  - 6: The PMADDRH/PMDOUT1H and PMADDRL/PMDOUT1L register pairs share the same physical registers and addresses, but have different functions determined by the module's operating mode. See [Section 11.1.2 “Data Registers”](#) for more information.
  - 7: The TRISA6 and TRISA7 bits are only implemented when the pins are not configured for primary oscillator functions.

# PIC18F46J50 FAMILY

## 6.3.6 STATUS REGISTER

The STATUS register in [Register 6-2](#), contains the arithmetic status of the ALU. The STATUS register can be the operand for any instruction, as with any other register. If the STATUS register is the destination for an instruction that affects the Z, DC, C, OV or N bits, then the write to these five bits is disabled.

These bits are set or cleared according to the device logic. Therefore, the result of an instruction with the STATUS register as destination may be different than intended. For example, `CLRF STATUS` will set the Z bit but leave the other bits unchanged. The STATUS

register then reads back as '000u u1uu'. It is recommended, therefore, that only `BCF`, `BSF`, `SWAPF`, `MOVFF` and `MOVWF` instructions are used to alter the STATUS register because these instructions do not affect the Z, C, DC, OV or N bits in the STATUS register.

For other instructions not affecting any Status bits, see the instruction set summary in [Table 28-2](#) and [Table 28-3](#).

**Note:** The C and DC bits operate as a borrow and digit borrow bits respectively, in subtraction.

### REGISTER 6-2: STATUS REGISTER (ACCESS FD8h)

|       |     |     |       |       |       |                   |                  |
|-------|-----|-----|-------|-------|-------|-------------------|------------------|
| U-0   | U-0 | U-0 | R/W-x | R/W-x | R/W-x | R/W-x             | R/W-x            |
| —     | —   | —   | N     | OV    | Z     | DC <sup>(1)</sup> | C <sup>(2)</sup> |
| bit 7 |     |     |       |       |       |                   | bit 0            |

#### Legend:

|                   |                  |                                    |
|-------------------|------------------|------------------------------------|
| R = Readable bit  | W = Writable bit | U = Unimplemented bit, read as '0' |
| -n = Value at POR | '1' = Bit is set | '0' = Bit is cleared               |
|                   |                  | x = Bit is unknown                 |

bit 7-5 **Unimplemented:** Read as '0'

bit 4 **N:** Negative bit

This bit is used for signed arithmetic (2's complement). It indicates whether the result was negative (ALU MSB = 1).

1 = Result was negative  
0 = Result was positive

bit 3 **OV:** Overflow bit

This bit is used for signed arithmetic (2's complement). It indicates an overflow of the 7-bit magnitude, which causes the sign bit (bit 7) to change state.

1 = Overflow occurred for signed arithmetic (in this arithmetic operation)  
0 = No overflow occurred

bit 2 **Z:** Zero bit

1 = The result of an arithmetic or logic operation is zero  
0 = The result of an arithmetic or logic operation is not zero

bit 1 **DC:** Digit carry/borrow bit<sup>(1)</sup>

For `ADDWF`, `ADDLW`, `SUBLW` and `SUBWF` instructions:

1 = A carry-out from the 4<sup>th</sup> low-order bit of the result occurred  
0 = No carry-out from the 4<sup>th</sup> low-order bit of the result

bit 0 **C:** Carry/borrow bit<sup>(2)</sup>

For `ADDWF`, `ADDLW`, `SUBLW` and `SUBWF` instructions:

1 = A carry-out from the MSb of the result occurred  
0 = No carry-out from the MSb of the result occurred

**Note 1:** For borrow, the polarity is reversed. A subtraction is executed by adding the 2's complement of the second operand. For rotate (`RRF`, `RLF`) instructions, this bit is loaded with either bit 4 or bit 3 of the source register.

**2:** For borrow, the polarity is reversed. A subtraction is executed by adding the 2's complement of the second operand. For rotate (`RRF`, `RLF`) instructions, this bit is loaded with either the high or low-order bit of the source register.



## 6.4 Data Addressing Modes

**Note:** The execution of some instructions in the core PIC18 instruction set are changed when the PIC18 extended instruction set is enabled. See [Section 6.6 “Data Memory and the Extended Instruction Set”](#) for more information.

While the program memory can be addressed in only one way, through the PC, information in the data memory space can be addressed in several ways. For most instructions, the addressing mode is fixed. Other instructions may use up to three modes, depending on which operands are used and whether or not the extended instruction set is enabled.

The addressing modes are:

- Inherent
- Literal
- Direct
- Indirect

An additional addressing mode, Indexed Literal Offset, is available when the extended instruction set is enabled (XINST Configuration bit = 1). Its operation is discussed in more detail in [Section 6.6.1 “Indexed Addressing with Literal Offset”](#).

### 6.4.1 INHERENT AND LITERAL ADDRESSING

Many PIC18 control instructions do not need any argument at all; they either perform an operation that globally affects the device, or they operate implicitly on one register. This addressing mode is known as Inherent Addressing. Examples include `SLEEP`, `RESET` and `DAW`.

Other instructions work in a similar way, but require an additional explicit argument in the opcode. This is known as Literal Addressing mode, because they require some literal value as an argument. Examples include `ADDLW` and `MOVLW`, which respectively, add or move a literal value to the W register. Other examples include `CALL` and `GOTO`, which include a 20-bit program memory address.

### 6.4.2 DIRECT ADDRESSING

Direct Addressing specifies all or part of the source and/or destination address of the operation within the opcode itself. The options are specified by the arguments accompanying the instruction.

In the core PIC18 instruction set, bit-oriented and byte-oriented instructions use some version of Direct Addressing by default. All of these instructions include some 8-bit Literal Address as their LSB. This address specifies either a register address in one of the banks of data RAM ([Section 6.3.4 “General Purpose](#)

[Register File”](#)), or a location in the Access Bank ([Section 6.3.3 “Access Bank”](#)) as the data source for the instruction.

The Access RAM bit, ‘a’, determines how the address is interpreted. When ‘a’ is ‘1’, the contents of the BSR ([Section 6.3.2 “Bank Select Register”](#)) are used with the address to determine the complete 12-bit address of the register. When ‘a’ is ‘0’, the address is interpreted as being a register in the Access Bank. Addressing that uses the Access RAM is sometimes also known as Direct Forced Addressing mode.

A few instructions, such as `MOVFF`, include the entire 12-bit address (either source or destination) in their opcodes. In these cases, the BSR is ignored entirely.

The destination of the operation’s results is determined by the destination bit, ‘d’. When ‘d’ is ‘1’, the results are stored back in the source register, overwriting its original contents. When ‘d’ is ‘0’, the results are stored in the W register. Instructions without the ‘d’ argument have a destination that is implicit in the instruction; their destination is either the target register being operated on or the W register.

### 6.4.3 INDIRECT ADDRESSING

Indirect Addressing allows the user to access a location in data memory without giving a fixed address in the instruction. This is done by using File Select Registers (FSRs) as pointers to the locations to be read or written to. Since the FSRs are themselves located in RAM as SFRs, they can also be directly manipulated under program control. This makes FSRs very useful in implementing data structures such as tables and arrays in data memory.

The registers for Indirect Addressing are also implemented with Indirect File Operands (INDFs) that permit automatic manipulation of the pointer value with auto-incrementing, auto-decrementing or offsetting with another value. This allows for efficient code using loops, such as the example of clearing an entire RAM bank in [Example 6-5](#). It also enables users to perform Indexed Addressing and other Stack Pointer operations for program memory in data memory.

#### EXAMPLE 6-5: HOW TO CLEAR RAM (BANK 1) USING INDIRECT ADDRESSING

```

LFSR    FSR0, 0x100 ;
NEXT    CLRF    POSTINC0 ; Clear INDF
                                ; register then
                                ; inc pointer
        BTFSS   FSR0H, 1 ; All done with
                                ; Bank1?
        BRA     NEXT    ; NO, clear next
CONTINUE                                ; YES, continue
    
```

# PIC18F46J50 FAMILY

## 6.4.3.1 FSR Registers and the INDF Operand (INDF)

At the core of Indirect Addressing are three sets of registers: FSR0, FSR1 and FSR2. Each represents a pair of 8-bit registers, FSRnH and FSRnL. The four upper bits of the FSRnH register are not used, so each FSR pair holds a 12-bit value. This represents a value that can address the entire range of the data memory in a linear fashion. The FSR register pairs then serve as pointers to data memory locations.

Indirect Addressing is accomplished with a set of INDF operands, INDF0 through INDF2. These can be presumed as “virtual” registers: they are mapped in the

SFR space but are not physically implemented. Reading or writing to a particular INDF register actually accesses its corresponding FSR register pair. A read from INDF1, for example, reads the data at the address indicated by FSR1H:FSR1L. Instructions that use the INDF registers as operands actually use the contents of their corresponding FSR as a pointer to the instruction's target. The INDF operand is just a convenient way of using the pointer.

Because Indirect Addressing uses a full 12-bit address, data RAM banking is not necessary. Thus, the current contents of the BSR and the Access RAM bit have no effect on determining the target address.

**FIGURE 6-8: INDIRECT ADDRESSING**



## 6.4.3.2 FSR Registers and POSTINC, POSTDEC, PREINC and PLUSW

In addition to the INDF operand, each FSR register pair also has four additional indirect operands. Like INDF, these are “virtual” registers that cannot be indirectly read or written to. Accessing these registers actually accesses the associated FSR register pair, but also performs a specific action on its stored value. They are:

- **POSTDEC:** accesses the FSR value, then automatically decrements it by ‘1’ thereafter
- **POSTINC:** accesses the FSR value, then automatically increments it by ‘1’ thereafter
- **PREINC:** increments the FSR value by ‘1’, then uses it in the operation
- **PLUSW:** adds the signed value of the W register (range of -128 to +127) to that of the FSR and uses the new value in the operation

In this context, accessing an INDF register uses the value in the FSR registers without changing them. Similarly, accessing a PLUSW register gives the FSR value offset by the value in the W register; neither value is actually changed in the operation. Accessing the other virtual registers changes the value of the FSR registers.

Operations on the FSRs with POSTDEC, POSTINC and PREINC affect the entire register pair; that is, roll-overs of the FSRnL register from FFh to 00h carry over to the FSRnH register. On the other hand, results of these operations do not change the value of any flags in the STATUS register (e.g., Z, N, OV, etc.).

The PLUSW register can be used to implement a form of Indexed Addressing in the data memory space. By manipulating the value in the W register, users can reach addresses that are fixed offsets from pointer addresses. In some applications, this can be used to implement some powerful program control structure, such as software stacks, inside of data memory.

## 6.4.3.3 Operations by FSRs on FSRs

Indirect Addressing operations that target other FSRs or virtual registers represent special cases. For example, using an FSR to point to one of the virtual registers will not result in successful operations. As a specific case, assume that FSR0H:FSR0L contains FE7h, the address of INDF1. Attempts to read the value of the INDF1, using INDF0 as an operand, will return 00h. Attempts to write to INDF1, using INDF0 as the operand, will result in a *NOF*.

On the other hand, using the virtual registers to write to an FSR pair may not occur as planned. In these cases, the value will be written to the FSR pair but without any incrementing or decrementing. Thus, writing to INDF2 or POSTDEC2 will write the same value to the FSR2H:FSR2L.

Since the FSRs are physical registers mapped in the SFR space, they can be manipulated through all direct operations. Users should proceed cautiously when working on these registers, particularly if their code uses Indirect Addressing.

Similarly, operations by Indirect Addressing are generally permitted on all other SFRs. Users should exercise appropriate caution that they do not inadvertently change settings that might affect the operation of the device.

## 6.5 Program Memory and the Extended Instruction Set

The operation of program memory is unaffected by the use of the extended instruction set.

Enabling the extended instruction set adds five additional two-word commands to the existing PIC18 instruction set: *ADDFSR*, *CALLW*, *MOVSF*, *MOVSS* and *SUBFSR*. These instructions are executed as described in [Section 6.2.4 “Two-Word Instructions”](#).

## 6.6 Data Memory and the Extended Instruction Set

Enabling the PIC18 extended instruction set (XINST Configuration bit = 1) significantly changes certain aspects of data memory and its addressing. Specifically, the use of the Access Bank for many of the core PIC18 instructions is different. This is due to the introduction of a new addressing mode for the data memory space. This mode also alters the behavior of Indirect Addressing using FSR2 and its associated operands.

What does not change is just as important. The size of the data memory space is unchanged, as well as its linear addressing. The SFR map remains the same. Core PIC18 instructions can still operate in both Direct and Indirect Addressing mode; inherent and literal instructions do not change at all. Indirect Addressing with FSR0 and FSR1 also remains unchanged.

# PIC18F46J50 FAMILY

---

## 6.6.1 INDEXED ADDRESSING WITH LITERAL OFFSET

Enabling the PIC18 extended instruction set changes the behavior of Indirect Addressing using the FSR2 register pair and its associated file operands. Under proper conditions, instructions that use the Access Bank, that is, most bit and byte-oriented instructions, can invoke a form of Indexed Addressing using an offset specified in the instruction. This special addressing mode is known as Indexed Addressing with Literal Offset, or Indexed Literal Offset mode.

When using the extended instruction set, this addressing mode requires the following:

- The use of the Access Bank is forced ('a' = 0)
- The file address argument is less than or equal to 5Fh

Under these conditions, the file address of the instruction is not interpreted as the lower byte of an address (used with the BSR in Direct Addressing) or as an 8-bit address in the Access Bank. Instead, the value is interpreted as an offset value to an Address Pointer specified by FSR2. The offset and the contents of FSR2 are added to obtain the target address of the operation.

## 6.6.2 INSTRUCTIONS AFFECTED BY INDEXED LITERAL OFFSET MODE

Any of the core PIC18 instructions that can use Direct Addressing are potentially affected by the Indexed Literal Offset Addressing mode. This includes all byte and bit-oriented instructions, or almost one-half of the standard PIC18 instruction set. Instructions that only use Inherent or Literal Addressing modes are unaffected.

Additionally, byte and bit-oriented instructions are not affected if they do not use the Access Bank (Access RAM bit is '1'), or include a file address of 60h or above. Instructions meeting these criteria will continue to execute as before. A comparison of the different possible addressing modes, when the extended instruction set is enabled, is provided in [Figure 6-9](#).

Those who desire to use byte or bit-oriented instructions, in the Indexed Literal Offset mode, should note the changes to assembler syntax for this mode. This is described in more detail in [Section 28.2.1 "Extended Instruction Syntax"](#).

# PIC18F46J50 FAMILY

**FIGURE 6-9: COMPARING ADDRESSING OPTIONS FOR BIT-ORIENTED AND BYTE-ORIENTED INSTRUCTIONS (EXTENDED INSTRUCTION SET ENABLED)**

**EXAMPLE INSTRUCTION:** `ADDWF, f, d, a` (Opcode: `0010 01da ffff ffff`)

**When a = 0 and f ≥ 60h:**

The instruction executes in Direct Forced mode. 'f' is interpreted as a location in the Access RAM between 060h and FFFh. This is the same as locations F60h to FFFh (Bank 15) of data memory.

Locations below 060h are not available in this addressing mode.



**When a = 0 and f ≤ 5Fh:**

The instruction executes in Indexed Literal Offset mode. 'f' is interpreted as an offset to the address value in FSR2. The two are added together to obtain the address of the target register for the instruction. The address can be anywhere in the data memory space.

Note that in this mode, the correct syntax is:

`ADDWF [k], d`  
 where 'k' is same as 'f'.



**When a = 1 (all values of f):**

The instruction executes in Direct mode (also known as Direct Long mode). 'f' is interpreted as a location in one of the 16 banks of the data memory space. The bank is designated by the Bank Select Register (BSR). The address can be in any implemented bank in the data memory space.



# PIC18F46J50 FAMILY

## 6.6.3 MAPPING THE ACCESS BANK IN INDEXED LITERAL OFFSET MODE

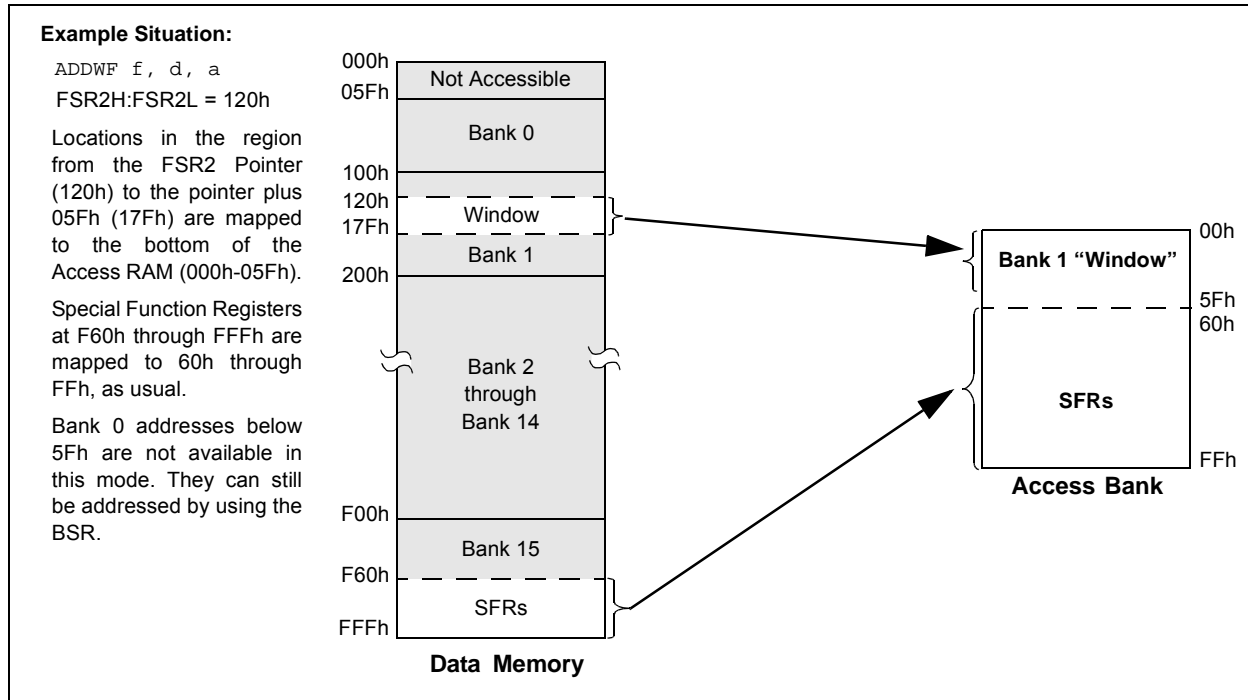
The use of Indexed Literal Offset Addressing mode effectively changes how the lower part of Access RAM (00h to 5Fh) is mapped. Rather than containing just the contents of the bottom part of Bank 0, this mode maps the contents from Bank 0 and a user-defined “window” that can be located anywhere in the data memory space. The value of FSR2 establishes the lower boundary of the addresses mapped to the window, while the upper boundary is defined by FSR2, plus 95 (5Fh). Addresses in the Access RAM above 5Fh are mapped as previously described (see [Section 6.3.3 “Access Bank”](#)). [Figure 6-10](#) provides an example of Access Bank remapping in this addressing mode.

Remapping of the Access Bank applies *only* to operations using the Indexed Literal Offset mode. Operations that use the BSR (Access RAM bit is ‘1’) will continue to use Direct Addressing as before. Any Indirect or Indexed Addressing operation that explicitly uses any of the indirect file operands (including FSR2) will continue to operate as standard Indirect Addressing. Any instruction that uses the Access Bank, but includes a register address of greater than 05Fh, will use Direct Addressing and the normal Access Bank map.

## 6.6.4 BSR IN INDEXED LITERAL OFFSET MODE

Although the Access Bank is remapped when the extended instruction set is enabled, the operation of the BSR remains unchanged. Direct Addressing, using the BSR to select the data memory bank, operates in the same manner as previously described.

**FIGURE 6-10: REMAPPING THE ACCESS BANK WITH INDEXED LITERAL OFFSET ADDRESSING**



## 7.0 FLASH PROGRAM MEMORY

The Flash program memory is fully readable, writable and erasable during normal operation.

A read from program memory is executed on 1 byte at a time. A write to program memory is executed on blocks of 64 bytes at a time or 2 bytes at a time. Program memory is erased in blocks of 1024 bytes at a time. A bulk erase operation may not be issued from user code.

Writing or erasing program memory will cease instruction fetches until the operation is complete. The program memory cannot be accessed during the write or erase, therefore, code cannot execute. An internal programming timer terminates program memory writes and erases.

A value written to program memory does not need to be a valid instruction. Executing a program memory location that forms an invalid instruction results in a NOP.

## 7.1 Table Reads and Table Writes

In order to read and write program memory, there are two operations that allow the processor to move bytes between the program memory space and the data RAM:

- Table Read (TBLRD)
- Table Write (TBLWT)

The program memory space is 16 bits wide, while the data RAM space is 8 bits wide. Table reads and table writes move data between these two memory spaces through an 8-bit register (TABLAT).

Table read operations retrieve data from program memory and place it into the data RAM space. [Figure 7-1](#) illustrates the operation of a table read with program memory and data RAM.

Table write operations store data from the data memory space into holding registers in program memory. The procedure to write the contents of the holding registers into program memory is detailed in [Section 7.5 “Writing to Flash Program Memory”](#). [Figure 7-2](#) illustrates the operation of a table write with program memory and data RAM.

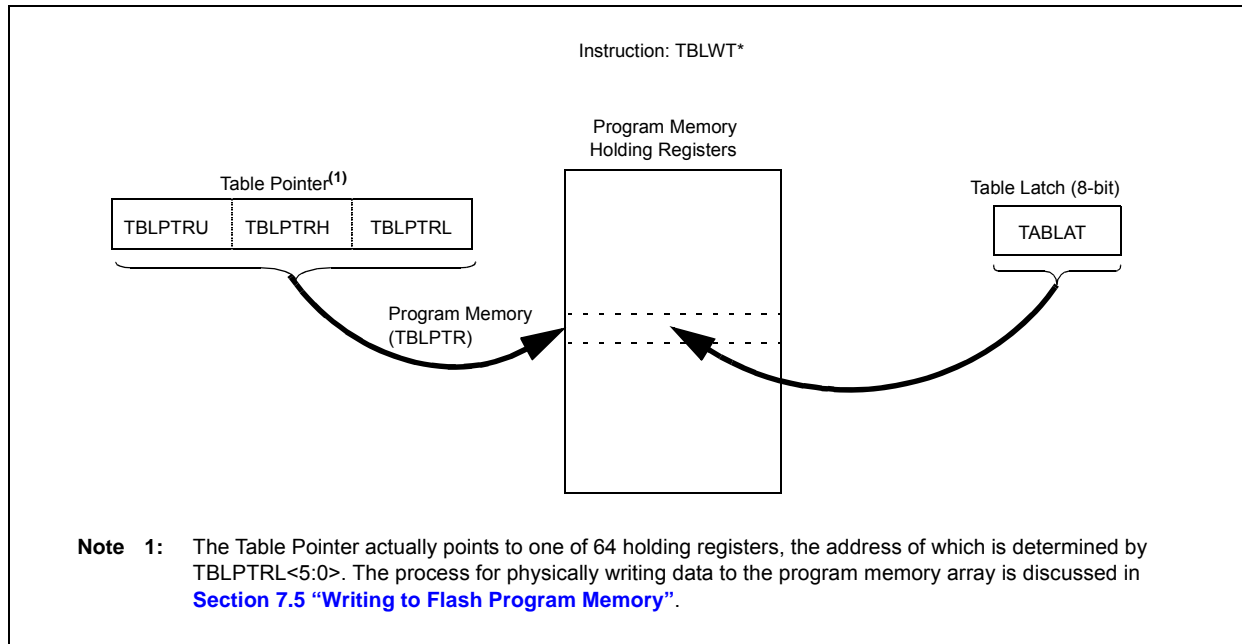
Table operations work with byte entities. A table block containing data, rather than program instructions, is not required to be word-aligned. Therefore, a table block can start and end at any byte address. If a table write is being used to write executable code into program memory, program instructions will need to be word-aligned.

**FIGURE 7-1: TABLE READ OPERATION**



# PIC18F46J50 FAMILY

FIGURE 7-2: TABLE WRITE OPERATION



## 7.2 Control Registers

Several control registers are used in conjunction with the TBLRD and TBLWT instructions. Those are:

- EECON1 register
- EECON2 register
- TABLAT register
- TBLPTR registers

### 7.2.1 EECON1 AND EECON2 REGISTERS

The EECON1 register ([Register 7-1](#)) is the control register for memory accesses. The EECON2 register is not a physical register; it is used exclusively in the memory write and erase sequences. Reading EECON2 will read all '0's.

The WPROG bit, when set, will allow programming two bytes per word on the execution of the WR command. If this bit is cleared, the WR command will result in programming on a block of 64 bytes.

The FREE bit, when set, will allow a program memory erase operation. When FREE is set, the erase operation is initiated on the next WR command. When FREE is clear, only writes are enabled.

The WREN bit, when set, will allow a write operation. On power-up, the WREN bit is clear. The WRERR bit is set in hardware when the WR bit is set and cleared when the internal programming timer expires and the write operation is complete.

**Note:** During normal operation, the WRERR is read as '1'. This can indicate that a write operation was prematurely terminated by a Reset, or a write operation was attempted improperly.

The WR control bit initiates write operations. The bit cannot be cleared, only set, in software. It is cleared in hardware at the completion of the write operation.



# PIC18F46J50 FAMILY

## REGISTER 7-1: EECON1: EEPROM CONTROL REGISTER 1 (ACCESS FA6h)

|       |     |       |       |       |       |       |       |
|-------|-----|-------|-------|-------|-------|-------|-------|
| U-0   | U-0 | R/W-0 | R/W-0 | R/W-x | R/W-0 | R/S-0 | U-0   |
| —     | —   | WPROG | FREE  | WRERR | WREN  | WR    | —     |
| bit 7 |     |       |       |       |       |       | bit 0 |

|                   |  |
|-------------------|--|
| <b>Legend:</b>    | S = Settable bit (cannot be cleared in software) |
| R = Readable bit  | W = Writable bit                                 |
| -n = Value at POR | '1' = Bit is set                                 |
|                   | '0' = Bit is cleared                             |
|                   | x = Bit is unknown                               |
|                   | U = Unimplemented bit, read as '0'               |

- bit 7-6     **Unimplemented:** Read as '0'
- bit 5     **WPROG:** One Word-Wide Program bit  
           1 = Program 2 bytes on the next WR command  
           0 = Program 64 bytes on the next WR command
- bit 4     **FREE:** Flash Erase Enable bit  
           1 = Perform an erase operation on the next WR command (cleared by hardware after completion of erase)  
           0 = Perform write only
- bit 3     **WRERR:** Flash Program Error Flag bit  
           1 = A write operation is prematurely terminated (any Reset during self-timed programming in normal operation or an improper write attempt)  
           0 = The write operation is complete
- bit 2     **WREN:** Flash Program Write Enable bit  
           1 = Allows write cycles to Flash program memory  
           0 = Inhibits write cycles to Flash program memory
- bit 1     **WR:** Write Control bit  
           1 = Initiates a program memory erase cycle or write cycle  
               (The operation is self-timed and the bit is cleared by hardware once the write is complete. The WR bit can only be set (not cleared) in software.)  
           0 = Write cycle is complete
- bit 0     **Unimplemented:** Read as '0'

# PIC18F46J50 FAMILY

## 7.2.2 TABLE LATCH REGISTER (TABLAT)

The Table Latch (TABLAT) is an 8-bit register mapped into the Special Function Register (SFR) space. The Table Latch register is used to hold 8-bit data during data transfers between program memory and data RAM.

## 7.2.3 TABLE POINTER REGISTER (TBLPTR)

The Table Pointer (TBLPTR) register addresses a byte within the program memory. The TBLPTR comprises three SFR registers: Table Pointer Upper Byte, Table Pointer High Byte and Table Pointer Low Byte (TBLPTRU:TBLPTRH:TBLPTRL). These three registers join to form a 22-bit wide pointer. The low-order 21 bits allow the device to address up to 2 Mbytes of program memory space. The 22<sup>nd</sup> bit allows access to the device ID, the user ID and the Configuration bits.

The Table Pointer register, TBLPTR, is used by the TBLRD and TBLWT instructions. These instructions can update the TBLPTR in one of four ways based on the table operation.

Table 7-1 provides these operations. These operations on the TBLPTR only affect the low-order 21 bits.

## 7.2.4 TABLE POINTER BOUNDARIES

TBLPTR is used in reads, writes and erases of the Flash program memory.

When a TBLRD is executed, all 22 bits of the TBLPTR determine which byte is read from program memory into TABLAT.

When a TBLWT is executed, the seven Least Significant bits (LSbs) of the Table Pointer register (TBLPTR<6:0>) determine which of the 64 program memory holding registers is written to. When the timed write to program memory begins (via the WR bit), the 12 Most Significant bits (MSBs) of the TBLPTR (TBLPTR<21:10>) determine which program memory block of 1024 bytes is written to. For more information, see [Section 7.5 "Writing to Flash Program Memory"](#).

When an erase of program memory is executed, the 12 MSBs of the Table Pointer register point to the 1024-byte block that will be erased. The LSbs are ignored.

Figure 7-3 illustrates the relevant boundaries of TBLPTR based on Flash program memory operations.

**TABLE 7-1: TABLE POINTER OPERATIONS WITH TBLRD AND TBLWT INSTRUCTIONS**

| Example            | Operation on Table Pointer                  |
|--------------------|---|
| TBLRD*<br>TBLWT*   | TBLPTR is not modified                      |
| TBLRD*+<br>TBLWT*+ | TBLPTR is incremented after the read/write  |
| TBLRD*-<br>TBLWT*- | TBLPTR is decremented after the read/write  |
| TBLRD+*<br>TBLWT+* | TBLPTR is incremented before the read/write |

**FIGURE 7-3: TABLE POINTER BOUNDARIES BASED ON OPERATION**



## 7.3 Reading the Flash Program Memory

The `TBLRD` instruction is used to retrieve data from program memory and places it into data RAM. Table reads from program memory are performed one byte at a time.

`TBLPTR` points to a byte address in program space. Executing `TBLRD` places the byte pointed to into `TABLAT`. In addition, `TBLPTR` can be modified automatically for the next table read operation.

The internal program memory is typically organized by words. The LSB of the address selects between the high and low bytes of the word.

Figure 7-4 illustrates the interface between the internal program memory and the `TABLAT`.

**FIGURE 7-4: READS FROM FLASH PROGRAM MEMORY**



### EXAMPLE 7-1: READING A FLASH PROGRAM MEMORY WORD

```

MOV LW  CODE_ADDR_UPPER      ; Load TBLPTR with the base
MOV WF  TBLPTRU              ; address of the word
MOV LW  CODE_ADDR_HIGH
MOV WF  TBLPTRH
MOV LW  CODE_ADDR_LOW
MOV WF  TBLPTRL

READ_WORD
TBLRD*+                       ; read into TABLAT and increment
MOV F   TABLAT, W             ; get data
MOV WF  WORD_EVEN
TBLRD*+                       ; read into TABLAT and increment
MOV F   TABLAT, W             ; get data
MOV WF  WORD_ODD
    
```

# PIC18F46J50 FAMILY

## 7.4 Erasing Flash Program Memory

The minimum erase block is 512 words or 1024 bytes. Only through the use of an external programmer, or through ICSP control, can larger blocks of program memory be bulk erased. Word erase in the Flash array is not supported.

When initiating an erase sequence from the microcontroller itself, a block of 1024 bytes of program memory is erased. The Most Significant 12 bits of the TBLPTR<21:10> point to the block being erased; TBLPTR<9:0> are ignored.

The EECON1 register commands the erase operation. The WREN bit must be set to enable write operations. The FREE bit is set to select an erase operation. For protection, the write initiate sequence for EECON2 must be used.

A long write is necessary for erasing the internal Flash. Instruction execution is halted while in a long write cycle. The long write will be terminated by the internal programming timer.

### 7.4.1 FLASH PROGRAM MEMORY ERASE SEQUENCE

The sequence of events for erasing a block of internal program memory location is:

1. Load Table Pointer register with the address of the row being erased.
2. Set the WREN and FREE bits (EECON1<2,4>) to enable the erase operation.
3. Disable interrupts.
4. Write 0x55 to EECON2.
5. Write 0xAA to EECON2.
6. Set the WR bit; this will begin the erase cycle.
7. The CPU will stall for the duration of the erase for TIE (see Parameter D133B).
8. Re-enable interrupts.

#### EXAMPLE 7-2: ERASING FLASH PROGRAM MEMORY

|                          |       |                 |  |                               |
|--------------------------|-------|-----------------|--|-------------------------------|
|                          | MOVLW | CODE_ADDR_UPPER |  | ; load TBLPTR with the base   |
|                          | MOVWF | TBLPTRU         |  | ; address of the memory block |
|                          | MOVLW | CODE_ADDR_HIGH  |  |                               |
|                          | MOVWF | TBLPTRH         |  |                               |
|                          | MOVLW | CODE_ADDR_LOW   |  |                               |
|                          | MOVWF | TBLPTRL         |  |                               |
| ERASE_ROW                |       |                 |  |                               |
|                          | BSF   | EECON1, WREN    |  | ; enable write to memory      |
|                          | BSF   | EECON1, FREE    |  | ; enable Erase operation      |
|                          | BCF   | INTCON, GIE     |  | ; disable interrupts          |
| <b>Required Sequence</b> | MOVLW | 0x55            |  |                               |
|                          | MOVWF | EECON2          |  | ; write 0x55                  |
|                          | MOVLW | 0xAA            |  |                               |
|                          | MOVWF | EECON2          |  | ; write 0xAA                  |
|                          | BSF   | EECON1, WR      |  | ; start erase (CPU stall)     |
|                          | BSF   | INTCON, GIE     |  | ; re-enable interrupts        |

## 7.5 Writing to Flash Program Memory

The programming block is 32 words or 64 bytes. Programming one word or 2 bytes at a time is also supported.

Table writes are used internally to load the holding registers needed to program the Flash memory. There are 64 holding registers used by the table writes for programming.

Since the Table Latch (TABLAT) is only a single byte, the TBLWT instruction may need to be executed 64 times for each programming operation (if WPROG = 0). All of the table write operations will essentially be short writes because only the holding registers are written. At the end of updating the 64 holding registers, the EECON1 register must be written to in order to start the programming operation with a long write.

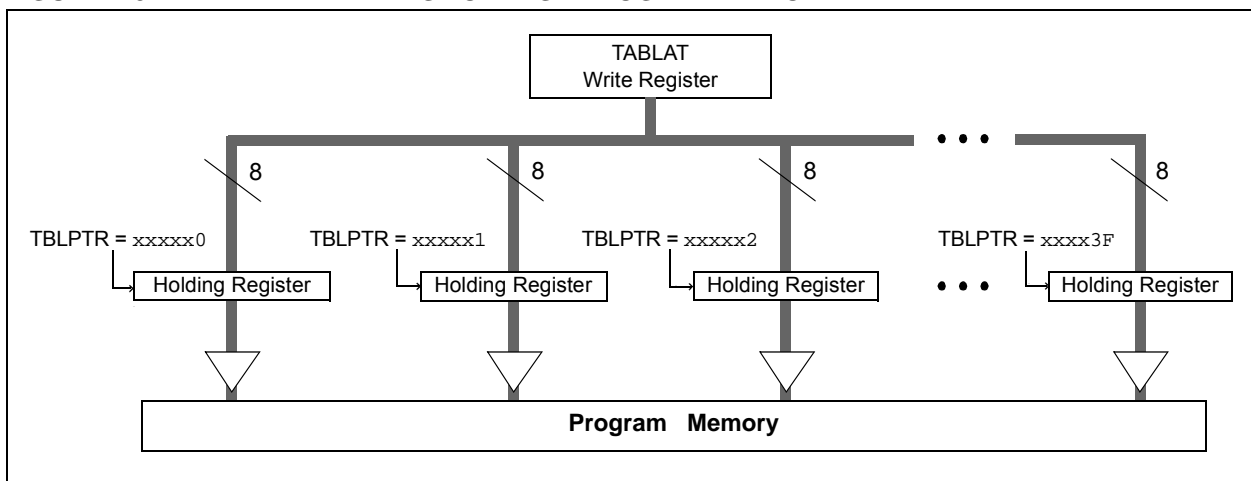
The long write is necessary for programming the internal Flash. Instruction execution is halted while in a long write cycle. The long write will be terminated by the internal programming timer.

The on-chip timer controls the write time. The write/erase voltages are generated by an on-chip charge pump, rated to operate over the voltage range of the device.

**Note 1:** Unlike previous PIC® devices, devices of the PIC18F46J50 family do not reset the holding registers after a write occurs. The holding registers must be cleared or overwritten before a programming sequence.

**2:** To maintain the endurance of the program memory cells, each Flash byte should not be programmed more than once between erase operations. Before attempting to modify the contents of the target cell a second time, an erase of the target page, or a bulk erase of the entire memory, must be performed.

**FIGURE 7-5: TABLE WRITES TO FLASH PROGRAM MEMORY**



### 7.5.1 FLASH PROGRAM MEMORY WRITE SEQUENCE

The sequence of events for programming an internal program memory location should be:

1. Read 1024 bytes into RAM.
2. Update data values in RAM as necessary.
3. Load the Table Pointer register with the address being erased.
4. Execute the erase procedure.
5. Load the Table Pointer register with the address of the first byte being written, minus 1.
6. Write the 64 bytes into the holding registers with auto-increment.
7. Set the WREN bit (EECON1<2>) to enable byte writes.
8. Disable interrupts.
9. Write 0x55 to EECON2.
10. Write 0xAA to EECON2.
11. Set the WR bit. This will begin the write cycle.
12. The CPU will stall for the duration of the write for Tiw (see Parameter D133A).
13. Re-enable interrupts.
14. Repeat Steps 6 through 13 until all 1024 bytes are written to program memory.
15. Verify the memory (table read).

An example of the required code is provided in [Example 7-3](#) on the following page.

**Note:** Before setting the WR bit, the Table Pointer address needs to be within the intended address range of the 64 bytes in the holding register.

# PIC18F46J50 FAMILY

## EXAMPLE 7-3: WRITING TO FLASH PROGRAM MEMORY

|                          |        |                     |  |  |
|--------------------------|--------|---------------------|--|--|
|                          | MOVLW  | CODE_ADDR_UPPER     |  | ; Load TBLPTR with the base address  |
|                          | MOVWF  | TBLPTRU             |  | ; of the memory block, minus 1   |
|                          | MOVLW  | CODE_ADDR_HIGH      |  |  |
|                          | MOVWF  | TBLPTRH             |  |  |
|                          | MOVLW  | CODE_ADDR_LOW       |  |  |
|                          | MOVWF  | TBLPTRL             |  |  |
| ERASE_BLOCK              |        |                     |  |  |
|                          | BSF    | EECON1, WREN        |  | ; enable write to memory   |
|                          | BSF    | EECON1, FREE        |  | ; enable Erase operation   |
|                          | BCF    | INTCON, GIE         |  | ; disable interrupts   |
|                          | MOVLW  | 0x55                |  |  |
|                          | MOVWF  | EECON2              |  | ; write 0x55   |
|                          | MOVLW  | 0xAA                |  |  |
|                          | MOVWF  | EECON2              |  | ; write 0xAA   |
|                          | BSF    | EECON1, WR          |  | ; start erase (CPU stall)  |
|                          | BSF    | INTCON, GIE         |  | ; re-enable interrupts   |
|                          | MOVLW  | D'16'               |  |  |
|                          | MOVWF  | WRITE_COUNTER       |  | ; Need to write 16 blocks of 64 to write<br>; one erase block of 1024        |
| RESTART_BUFFER           |        |                     |  |  |
|                          | MOVLW  | D'64'               |  |  |
|                          | MOVWF  | COUNTER             |  |  |
|                          | MOVLW  | BUFFER_ADDR_HIGH    |  | ; point to buffer  |
|                          | MOVWF  | FSR0H               |  |  |
|                          | MOVLW  | BUFFER_ADDR_LOW     |  |  |
|                          | MOVWF  | FSR0L               |  |  |
| FILL_BUFFER              |        |                     |  |  |
|                          | ...    |                     |  | ; read the new data from I2C, SPI,<br>; PSP, USART, etc.                     |
| WRITE_BUFFER             |        |                     |  |  |
|                          | MOVLW  | D'64'               |  | ; number of bytes in holding register  |
|                          | MOVWF  | COUNTER             |  |  |
| WRITE_BYTE_TO_HREGS      |        |                     |  |  |
|                          | MOVFF  | POSTINC0, WREG      |  | ; get low byte of buffer data  |
|                          | MOVWF  | TABLAT              |  | ; present data to table latch  |
|                          | TBLWT* |                     |  | ; write data, perform a short write<br>; to internal TBLWT holding register. |
|                          | DECFSZ | COUNTER             |  | ; loop until buffers are full  |
|                          | BRA    | WRITE_BYTE_TO_HREGS |  |  |
| PROGRAM_MEMORY           |        |                     |  |  |
|                          | BSF    | EECON1, WREN        |  | ; enable write to memory   |
|                          | BCF    | INTCON, GIE         |  | ; disable interrupts   |
|                          | MOVLW  | 0x55                |  |  |
| <b>Required Sequence</b> | MOVWF  | EECON2              |  | ; write 0x55   |
|                          | MOVLW  | 0xAA                |  |  |
|                          | MOVWF  | EECON2              |  | ; write 0xAA   |
|                          | BSF    | EECON1, WR          |  | ; start program (CPU stall)  |
|                          | BSF    | INTCON, GIE         |  | ; re-enable interrupts   |
|                          | BCF    | EECON1, WREN        |  | ; disable write to memory  |
|                          | DECFSZ | WRITE_COUNTER       |  | ; done with one write cycle  |
|                          | BRA    | RESTART_BUFFER      |  | ; if not done replacing the erase block                                      |

# PIC18F46J50 FAMILY

## 7.5.2 FLASH PROGRAM MEMORY WRITE SEQUENCE (WORD PROGRAMMING)

The PIC18F46J50 family of devices has a feature that allows programming a single word (two bytes). This feature is enabled when the WPROG bit is set. If the memory location is already erased, the following sequence is required to enable this feature:

1. Load the Table Pointer register with the address of the data to be written. (It must be an even address.)
2. Write the 2 bytes into the holding registers by performing table writes. (Do not post-increment

on the second table write.)

3. Set the WREN bit (EECON1<2>) to enable writes and the WPROG bit (EECON1<5>) to select Word Write mode.
4. Disable interrupts.
5. Write 0x55 to EECON2.
6. Write 0xAA to EECON2.
7. Set the WR bit; this will begin the write cycle.
8. The CPU will stall for the duration of the write for  $T_{iw}$  (see Parameter D133A).
9. Re-enable interrupts.

### EXAMPLE 7-4: SINGLE-WORD WRITE TO FLASH PROGRAM MEMORY

|                          |         |                 |   |
|--------------------------|---------|-----------------|---|
|                          | MOVLW   | CODE_ADDR_UPPER | ; Load TBLPTR with the base address   |
|                          | MOVWF   | TBLPTRU         |   |
|                          | MOVLW   | CODE_ADDR_HIGH  |   |
|                          | MOVWF   | TBLPTRH         |   |
|                          | MOVLW   | CODE_ADDR_LOW   | ; The table pointer must be loaded with an even address   |
|                          | MOVWF   | TBLPTRL         |   |
|                          | MOVLW   | DATA0           | ; LSB of word to be written   |
|                          | MOVWF   | TABLAT          |   |
|                          | TBLWT*+ |                 |   |
|                          | MOVLW   | DATA1           | ; MSB of word to be written   |
|                          | MOVWF   | TABLAT          |   |
|                          | TBLWT*  |                 | ; The last table write must not increment the table pointer! The table pointer needs to point to the MSB before starting the write operation. |
| PROGRAM_MEMORY           |         |                 |   |
|                          | BSF     | EECON1, WPROG   | ; enable single word write  |
|                          | BSF     | EECON1, WREN    | ; enable write to memory  |
|                          | BCF     | INTCON, GIE     | ; disable interrupts  |
|                          | MOVLW   | 0x55            |   |
| <b>Required Sequence</b> | MOVWF   | EECON2          | ; write 0x55  |
|                          | MOVLW   | 0xAA            |   |
|                          | MOVWF   | EECON2          | ; write 0xAA  |
|                          | BSF     | EECON1, WR      | ; start program (CPU stall)   |
|                          | BSF     | INTCON, GIE     | ; re-enable interrupts  |
|                          | BCF     | EECON1, WPROG   | ; disable single word write   |
|                          | BCF     | EECON1, WREN    | ; disable write to memory   |

# PIC18F46J50 FAMILY

## 7.5.3 WRITE VERIFY

Depending on the application, good programming practice may dictate that the value written to the memory should be verified against the original value. This should be used in applications where excessive writes can stress bits near the specification limit.

## 7.5.4 UNEXPECTED TERMINATION OF WRITE OPERATION

If a write is terminated by an unplanned event, such as loss of power or an unexpected Reset, the memory location just programmed should be verified and repro-

grammed if needed. If the write operation is interrupted by a  $\overline{\text{MCLR}}$  Reset or a WDT time-out Reset during normal operation, the user can check the WRERR bit and rewrite the location(s) as needed.

## 7.6 Flash Program Operation During Code Protection

See [Section 27.6 “Program Verification and Code Protection”](#) for details on code protection of Flash program memory.

**TABLE 7-2: REGISTERS ASSOCIATED WITH PROGRAM FLASH MEMORY**

| Name    | Bit 7   | Bit 6     | Bit 5  | Bit 4   | Bit 3 | Bit 2  | Bit 1  | Bit 0 | Reset Values on Page: |
|---------|---|-----------|--------|---|-------|--------|--------|-------|-----------------------|
| TBLPTRU | —   | —         | bit 21 | Program Memory Table Pointer Upper Byte (TBLPTR<20:16>) |       |        |        |       | 69                    |
| TBPLTRH | Program Memory Table Pointer High Byte (TBLPTR<15:8>)       |           |        |   |       |        |        |       | 69                    |
| TBLPTRL | Program Memory Table Pointer Low Byte (TBLPTR<7:0>)         |           |        |   |       |        |        |       | 69                    |
| TABLAT  | Program Memory Table Latch                                  |           |        |   |       |        |        |       | 69                    |
| INTCON  | GIE/GIEH  | PEIE/GIEL | TMR0IE | INT0IE  | RBIE  | TMR0IF | INT0IF | RBIF  | 69                    |
| EECON2  | Program Memory Control Register 2 (not a physical register) |           |        |   |       |        |        |       | 71                    |
| EECON1  | —   | —         | WPROG  | FREE  | WRERR | WREN   | WR     | —     | 71                    |

**Legend:** — = unimplemented, read as '0'. Shaded cells are not used during Flash program memory access.



## 8.0 8 x 8 HARDWARE MULTIPLIER

### 8.1 Introduction

All PIC18 devices include an 8 x 8 hardware multiplier as part of the ALU. The multiplier performs an unsigned operation and yields a 16-bit result that is stored in the product register pair, PRODH:PRODL. The multiplier's operation does not affect any flags in the STATUS register.

Making multiplication a hardware operation allows it to be completed in a single instruction cycle. This has the advantages of higher computational throughput and reduced code size for multiplication algorithms and allows the PIC18 devices to be used in many applications previously reserved for digital signal processors. [Table 8-1](#) provides a comparison of various hardware and software multiply operations, along with the savings in memory and execution time.

### 8.2 Operation

[Example 8-1](#) provides the instruction sequence for an 8 x 8 unsigned multiplication. Only one instruction is required when one of the arguments is already loaded in the WREG register.

[Example 8-2](#) provides the instruction sequence for an 8 x 8 signed multiplication. To account for the sign bits of the arguments, each argument's Most Significant bit (MSb) is tested and the appropriate subtractions are done.

#### EXAMPLE 8-1: 8 x 8 UNSIGNED MULTIPLY ROUTINE

```
MOVWF ARG1, W ;
MULWF ARG2 ; ARG1 * ARG2 ->
; PRODH:PRODL
```

#### EXAMPLE 8-2: 8 x 8 SIGNED MULTIPLY ROUTINE

```
MOVWF ARG1, W
MULWF ARG2 ; ARG1 * ARG2 ->
; PRODH:PRODL

BTFSC ARG2, SB ; Test Sign Bit
SUBWF PRODH, F ; PRODH = PRODH
; - ARG1

MOVWF ARG2, W
BTFSC ARG1, SB ; Test Sign Bit
SUBWF PRODH, F ; PRODH = PRODH
; - ARG2
```

**TABLE 8-1: PERFORMANCE COMPARISON FOR VARIOUS MULTIPLY OPERATIONS**

| Routine          | Multiply Method           | Program Memory (Words) | Cycles (Max) | Time         |               |             |
|------------------|---------------------------|------------------------|--------------|--------------|---------------|-------------|
|                  |                           |                        |              | @ 48 MHz     | @ 10 MHz      | @ 4 MHz     |
| 8 x 8 unsigned   | Without hardware multiply | 13                     | 69           | 5.7 $\mu$ s  | 27.6 $\mu$ s  | 69 $\mu$ s  |
|                  | Hardware multiply         | 1                      | 1            | 83.3 ns      | 400 ns        | 1 $\mu$ s   |
| 8 x 8 signed     | Without hardware multiply | 33                     | 91           | 7.5 $\mu$ s  | 36.4 $\mu$ s  | 91 $\mu$ s  |
|                  | Hardware multiply         | 6                      | 6            | 500 ns       | 2.4 $\mu$ s   | 6 $\mu$ s   |
| 16 x 16 unsigned | Without hardware multiply | 21                     | 242          | 20.1 $\mu$ s | 96.8 $\mu$ s  | 242 $\mu$ s |
|                  | Hardware multiply         | 28                     | 28           | 2.3 $\mu$ s  | 11.2 $\mu$ s  | 28 $\mu$ s  |
| 16 x 16 signed   | Without hardware multiply | 52                     | 254          | 21.6 $\mu$ s | 102.6 $\mu$ s | 254 $\mu$ s |
|                  | Hardware multiply         | 35                     | 40           | 3.3 $\mu$ s  | 16.0 $\mu$ s  | 40 $\mu$ s  |

# PIC18F46J50 FAMILY

**Example 8-3** provides the instruction sequence for a 16 x 16 unsigned multiplication. **Equation 8-1** provides the algorithm that is used. The 32-bit result is stored in four registers (RES<3:0>).

## EQUATION 8-1: 16 x 16 UNSIGNED MULTIPLICATION ALGORITHM

$$\begin{aligned} \text{RES3:RES0} &= \text{ARG1H:ARG1L} \cdot \text{ARG2H:ARG2L} \\ &= (\text{ARG1H} \cdot \text{ARG2H} \cdot 2^{16}) + \\ &\quad (\text{ARG1H} \cdot \text{ARG2L} \cdot 2^8) + \\ &\quad (\text{ARG1L} \cdot \text{ARG2H} \cdot 2^8) + \\ &\quad (\text{ARG1L} \cdot \text{ARG2L}) \end{aligned}$$

## EXAMPLE 8-3: 16 x 16 UNSIGNED MULTIPLY ROUTINE

```

MOVF ARG1L, W
MULWF ARG2L          ; ARG1L * ARG2L->
                      ; PRODH:PRODL

MOVFF PRODH, RES1   ;
MOVFF PRODL, RES0   ;

MOVF ARG1H, W
MULWF ARG2H          ; ARG1H * ARG2H->
                      ; PRODH:PRODL

MOVFF PRODH, RES3   ;
MOVFF PRODL, RES2   ;

MOVF ARG1L, W
MULWF ARG2H          ; ARG1L * ARG2H->
                      ; PRODH:PRODL

MOVF PRODL, W
ADDWF RES1, F        ; Add cross
MOVF PRODH, W        ; products
ADDWFC RES2, F       ;
CLRF WREG             ;
ADDWFC RES3, F       ;

MOVF ARG1H, W
MULWF ARG2L          ; ARG1H * ARG2L->
                      ; PRODH:PRODL

MOVF PRODL, W
ADDWF RES1, F        ; Add cross
MOVF PRODH, W        ; products
ADDWFC RES2, F       ;
CLRF WREG             ;
ADDWFC RES3, F       ;

```

**Example 8-4** provides the sequence to do a 16 x 16 signed multiply. **Equation 8-2** provides the algorithm used. The 32-bit result is stored in four registers (RES<3:0>). To account for the sign bits of the arguments, the MSb for each argument pair is tested and the appropriate subtractions are done.

## EQUATION 8-2: 16 x 16 SIGNED MULTIPLICATION ALGORITHM

$$\begin{aligned} \text{RES3:RES0} &= \text{ARG1H:ARG1L} \cdot \text{ARG2H:ARG2L} \\ &= (\text{ARG1H} \cdot \text{ARG2H} \cdot 2^{16}) + \\ &\quad (\text{ARG1H} \cdot \text{ARG2L} \cdot 2^8) + \\ &\quad (\text{ARG1L} \cdot \text{ARG2H} \cdot 2^8) + \\ &\quad (\text{ARG1L} \cdot \text{ARG2L}) + \\ &\quad (-1 \cdot \text{ARG2H} < 7 > \cdot \text{ARG1H:ARG1L} \cdot 2^{16}) + \\ &\quad (-1 \cdot \text{ARG1H} < 7 > \cdot \text{ARG2H:ARG2L} \cdot 2^{16}) \end{aligned}$$

## EXAMPLE 8-4: 16 x 16 SIGNED MULTIPLY ROUTINE

```

MOVF ARG1L, W
MULWF ARG2L          ; ARG1L * ARG2L ->
                      ; PRODH:PRODL

MOVFF PRODH, RES1   ;
MOVFF PRODL, RES0   ;

MOVF ARG1H, W
MULWF ARG2H          ; ARG1H * ARG2H ->
                      ; PRODH:PRODL

MOVFF PRODH, RES3   ;
MOVFF PRODL, RES2   ;

MOVF ARG1L, W
MULWF ARG2H          ; ARG1L * ARG2H ->
                      ; PRODH:PRODL

MOVF PRODL, W
ADDWF RES1, F        ; Add cross
MOVF PRODH, W        ; products
ADDWFC RES2, F       ;
CLRF WREG             ;
ADDWFC RES3, F       ;

MOVF ARG1H, W
MULWF ARG2L          ; ARG1H * ARG2L ->
                      ; PRODH:PRODL

MOVF PRODL, W
ADDWF RES1, F        ; Add cross
MOVF PRODH, W        ; products
ADDWFC RES2, F       ;
CLRF WREG             ;
ADDWFC RES3, F       ;

BTFSS ARG2H, 7       ; ARG2H:ARG2L neg?
BRA SIGN_ARG1        ; no, check ARG1
MOVF ARG1L, W
SUBWF RES2
MOVF ARG1H, W
SUBWFB RES3

SIGN_ARG1
BTFSS ARG1H, 7       ; ARG1H:ARG1L neg?
BRA CONT_CODE        ; no, done
MOVF ARG2L, W
SUBWF RES2
MOVF ARG2H, W
SUBWFB RES3

CONT_CODE
:

```

## 9.0 INTERRUPTS

Devices of the PIC18F46J50 family have multiple interrupt sources and an interrupt priority feature that allows most interrupt sources to be assigned a high-priority level or a low-priority level. The high-priority interrupt vector is at 0008h and the low-priority interrupt vector is at 0018h. High-priority interrupt events will interrupt any low-priority interrupts that may be in progress.

There are 13 registers, which are used to control interrupt operation. These registers are:

- RCON
- INTCON
- INTCON2
- INTCON3
- PIR1, PIR2, PIR3
- PIE1, PIE2, PIE3
- IPR1, IPR2, IPR3

It is recommended that the Microchip header files supplied with MPLAB® IDE be used for the symbolic bit names in these registers. This allows the assembler/compiler to automatically take care of the placement of these bits within the specified register.

In general, interrupt sources have three bits to control their operation. They are:

- **Flag bit** to indicate that an interrupt event occurred
- **Enable bit** that allows program execution to branch to the interrupt vector address when the flag bit is set
- **Priority bit** to select high priority or low priority

The interrupt priority feature is enabled by setting the IPEN bit (RCON<7>). When interrupt priority is enabled, there are two bits which enable interrupts globally. Setting the GIEH bit (INTCON<7>) enables all interrupts that have the priority bit set (high priority). Setting the GIEH and GIEL bits (INTCON<7:6>) enables interrupts that have the priority bit cleared (low priority). When the interrupt flag, enable bit and appropriate Global Interrupt Enable bits are set, the interrupt will vector immediately to address, 0008h or 0018h, depending on the priority bit setting. Individual interrupts can be disabled through their corresponding enable bits.

When the IPEN bit is cleared (default state), the interrupt priority feature is disabled and interrupts are compatible with PIC® mid-range devices. In Compatibility mode, the interrupt priority bits for each source have no effect. INTCON<6> is the PEIE bit, which enables/disables all peripheral interrupt sources. INTCON<7> is the GIE bit, which enables/disables all interrupt sources. All interrupts branch to address, 0008h, in Compatibility mode.

When an interrupt is responded to, the Global Interrupt Enable bit is automatically cleared by hardware to disable further interrupts. If the IPEN bit is cleared, this is the GIE bit. If interrupt priority levels are used, this will be either the GIEH bit, if the interrupt was configured for high-priority, or the GIEL bit, if the interrupt was configured for low-priority. When executing in the interrupt context, application firmware should not attempt to manually re-enable the respective GIEH or GIEL bit that was cleared in hardware. High-priority interrupt sources can interrupt a low-priority interrupt. Low-priority interrupts are not processed while high-priority interrupts are in progress.

When an interrupt occurs, the return address is pushed onto the stack and the PC is loaded with the interrupt vector address (0008h or 0018h). Once in the Interrupt Service Routine (ISR), the source(s) of the interrupt can be determined by polling the interrupt flag bits. The interrupt flag bit, or individual PEx enable bit, must be cleared in software before returning from the interrupt handler to avoid recursive interrupts.

The “return from interrupt” instruction, `RETFIE`, exits the interrupt routine and sets the GIE bit (GIEH or GIEL if priority levels are used), which re-enables interrupts.

For external interrupt events, such as the INTx pins or the PORTB input change interrupt, the interrupt latency will be three to four instruction cycles. The exact latency is the same for one or two-cycle instructions. Individual interrupt flag bits are set regardless of the status of their corresponding enable bit or the GIE bit.

**Note:** Do not use the `MOVFF` instruction to modify any of the interrupt control registers while **any** interrupt is enabled. Doing so may cause erratic microcontroller behavior.

# PIC18F46J50 FAMILY

FIGURE 9-1: PIC18F46J50 FAMILY INTERRUPT LOGIC



# PIC18F46J50 FAMILY

## 9.1 INTCON Registers

The INTCON registers are readable and writable registers, which contain various enable, priority and flag bits.

**Note:** Interrupt flag bits are set when an interrupt condition occurs regardless of the state of its corresponding enable bit or the Global Interrupt Enable bit. User software should ensure the appropriate interrupt flag bits are clear prior to enabling an interrupt. This feature allows for software polling.

### REGISTER 9-1: INTCON: INTERRUPT CONTROL REGISTER (ACCESS FF2h)

| R/W-0    | R/W-0     | R/W-0  | R/W-0  | R/W-0 | R/W-0  | R/W-0  | R/W-x               |
|----------|-----------|--------|--------|-------|--------|--------|---------------------|
| GIE/GIEH | PEIE/GIEL | TMR0IE | INT0IE | RBIE  | TMR0IF | INT0IF | RBIF <sup>(1)</sup> |
| bit 7    |           |        |        |       |        |        | bit 0               |

#### Legend:

|                   |                  |                                    |
|-------------------|------------------|------------------------------------|
| R = Readable bit  | W = Writable bit | U = Unimplemented bit, read as '0' |
| -n = Value at POR | '1' = Bit is set | '0' = Bit is cleared               |
|                   |                  | x = Bit is unknown                 |

- bit 7      **GIE/GIEH:** Global Interrupt Enable bit  
When IPEN = 0:  
 1 = Enables all unmasked interrupts  
 0 = Disables all interrupts  
When IPEN = 1:  
 1 = Enables all high-priority interrupts (also enables low-priority interrupts when GIEL is also set)  
 0 = Disables all interrupts
- bit 6      **PEIE/GIEL:** Peripheral/Low-Priority Interrupt Enable bit  
When IPEN = 0:  
 1 = Enables all unmasked peripheral interrupts (when GIE is also set)  
 0 = Disables all peripheral interrupts  
When IPEN = 1:  
 1 = Enables all interrupts configured for low priority (when GIEH is also set)  
 0 = Disables all interrupts configured for low priority
- bit 5      **TMR0IE:** TMR0 Overflow Interrupt Enable bit  
 1 = Enables the TMR0 overflow interrupt  
 0 = Disables the TMR0 overflow interrupt
- bit 4      **INT0IE:** INT0 External Interrupt Enable bit  
 1 = Enables the INT0 external interrupt  
 0 = Disables the INT0 external interrupt
- bit 3      **RBIE:** RB Port Change Interrupt Enable bit  
 1 = Enables the RB port change interrupt  
 0 = Disables the RB port change interrupt
- bit 2      **TMR0IF:** TMR0 Overflow Interrupt Flag bit  
 1 = TMR0 register has overflowed (must be cleared in software)  
 0 = TMR0 register did not overflow
- bit 1      **INT0IF:** INT0 External Interrupt Flag bit  
 1 = The INT0 external interrupt occurred (must be cleared in software)  
 0 = The INT0 external interrupt did not occur
- bit 0      **RBIF:** RB Port Change Interrupt Flag bit<sup>(1)</sup>  
 1 = At least one of the RB<7:4> pins changed state (must be cleared in software)  
 0 = None of the RB<7:4> pins have changed state

**Note 1:** A mismatch condition will continue to set this bit. Reading PORTB and waiting 1 T<sub>cy</sub> will end the mismatch condition and allow the bit to be cleared.

# PIC18F46J50 FAMILY

## REGISTER 9-2: INTCON2: INTERRUPT CONTROL REGISTER 2 (ACCESS FF1h)

| R/W-1                    | R/W-1   | R/W-1   | R/W-1   | R/W-1   | R/W-1  | R/W-1  | R/W-1 |
|--------------------------|---------|---------|---------|---------|--------|--------|-------|
| $\overline{\text{RBPU}}$ | INTEDG0 | INTEDG1 | INTEDG2 | INTEDG3 | TMR0IP | INT3IP | RBIP  |
| bit 7                    |         |         |         |         |        |        | bit 0 |

### Legend:

R = Readable bit                      W = Writable bit                      U = Unimplemented bit, read as '0'  
 -n = Value at POR                      '1' = Bit is set                      '0' = Bit is cleared                      x = Bit is unknown

- bit 7             **$\overline{\text{RBPU}}$** : PORTB Pull-up Enable bit  
                   1 = All PORTB pull-ups are disabled  
                   0 = PORTB pull-ups are enabled by individual PORT TRIS values
- bit 6            **INTEDG0**: External Interrupt 0 Edge Select bit  
                   1 = Interrupt on rising edge  
                   0 = Interrupt on falling edge
- bit 5            **INTEDG1**: External Interrupt 1 Edge Select bit  
                   1 = Interrupt on rising edge  
                   0 = Interrupt on falling edge
- bit 4            **INTEDG2**: External Interrupt 2 Edge Select bit  
                   1 = Interrupt on rising edge  
                   0 = Interrupt on falling edge
- bit 3            **INTEDG3**: External Interrupt 3 Edge Select bit  
                   1 = Interrupt on rising edge  
                   0 = Interrupt on falling edge
- bit 2            **TMR0IP**: TMR0 Overflow Interrupt Priority bit  
                   1 = High priority  
                   0 = Low priority
- bit 1            **INT3IP**: INT3 External Interrupt Priority bit  
                   1 = High priority  
                   0 = Low priority
- bit 0            **RBIP**: RB Port Change Interrupt Priority bit  
                   1 = High priority  
                   0 = Low priority

**Note:** Interrupt flag bits are set when an interrupt condition occurs, regardless of the state of its corresponding enable bit or the Global Interrupt Enable bit. User software should ensure the appropriate interrupt flag bits are clear prior to enabling an interrupt. This feature allows for software polling.

# PIC18F46J50 FAMILY

## REGISTER 9-3: INTCON3: INTERRUPT CONTROL REGISTER 3 (ACCESS FF0h)

|        |        |        |        |        |        |        |        |
|--------|--------|--------|--------|--------|--------|--------|--------|
| R/W-1  | R/W-1  | R/W-0  | R/W-0  | R/W-0  | R/W-0  | R/W-0  | R/W-0  |
| INT2IP | INT1IP | INT3IE | INT2IE | INT1IE | INT3IF | INT2IF | INT1IF |
| bit 7  |        |        |        |        |        |        | bit 0  |

### Legend:

R = Readable bit                      W = Writable bit                      U = Unimplemented bit, read as '0'  
 -n = Value at POR                      '1' = Bit is set                      '0' = Bit is cleared                      x = Bit is unknown

- bit 7            **INT2IP:** INT2 External Interrupt Priority bit  
                   1 = High priority  
                   0 = Low priority
- bit 6            **INT1IP:** INT1 External Interrupt Priority bit  
                   1 = High priority  
                   0 = Low priority
- bit 5            **INT3IE:** INT3 External Interrupt Enable bit  
                   1 = Enables the INT3 external interrupt  
                   0 = Disables the INT3 external interrupt
- bit 4            **INT2IE:** INT2 External Interrupt Enable bit  
                   1 = Enables the INT2 external interrupt  
                   0 = Disables the INT2 external interrupt
- bit 3            **INT1IE:** INT1 External Interrupt Enable bit  
                   1 = Enables the INT1 external interrupt  
                   0 = Disables the INT1 external interrupt
- bit 2            **INT3IF:** INT3 External Interrupt Flag bit  
                   1 = The INT3 external interrupt occurred (must be cleared in software)  
                   0 = The INT3 external interrupt did not occur
- bit 1            **INT2IF:** INT2 External Interrupt Flag bit  
                   1 = The INT2 external interrupt occurred (must be cleared in software)  
                   0 = The INT2 external interrupt did not occur
- bit 0            **INT1IF:** INT1 External Interrupt Flag bit  
                   1 = The INT1 external interrupt occurred (must be cleared in software)  
                   0 = The INT1 external interrupt did not occur

**Note:** Interrupt flag bits are set when an interrupt condition occurs, regardless of the state of its corresponding enable bit or the Global Interrupt Enable bit. User software should ensure the appropriate interrupt flag bits are clear prior to enabling an interrupt. This feature allows for software polling.

# PIC18F46J50 FAMILY

## 9.2 PIR Registers

The PIR registers contain the individual flag bits for the peripheral interrupts. Due to the number of peripheral interrupt sources, there are three Peripheral Interrupt Request (Flag) registers (PIR1, PIR2, PIR3).

**Note 1:** Interrupt flag bits are set when an interrupt condition occurs, regardless of the state of its corresponding enable bit or the Global Interrupt Enable bit, GIE (INTCON<7>).

**2:** User software should ensure the appropriate interrupt flag bits are cleared prior to enabling an interrupt and after servicing that interrupt.

### REGISTER 9-4: PIR1: PERIPHERAL INTERRUPT REQUEST (FLAG) REGISTER 1 (ACCESS F9Eh)

|                      |       |       |       |        |        |        |        |
|----------------------|-------|-------|-------|--------|--------|--------|--------|
| R/W-0                | R/W-0 | R-0   | R-0   | R/W-0  | R/W-0  | R/W-0  | R/W-0  |
| PMPIF <sup>(1)</sup> | ADIF  | RC1IF | TX1IF | SSP1IF | CCP1IF | TMR2IF | TMR1IF |
| bit 7                |       |       |       |        |        |        | bit 0  |

#### Legend:

R = Readable bit

W = Writable bit

U = Unimplemented bit, read as '0'

-n = Value at POR

'1' = Bit is set

'0' = Bit is cleared

x = Bit is unknown

- bit 7 **PMPIF:** Parallel Master Port Read/Write Interrupt Flag bit<sup>(1)</sup>  
 1 = A read or a write operation has taken place (must be cleared in software)  
 0 = No read or write has occurred
- bit 6 **ADIF:** A/D Converter Interrupt Flag bit  
 1 = An A/D conversion completed (must be cleared in software)  
 0 = The A/D conversion is not complete
- bit 5 **RC1IF:** EUSART1 Receive Interrupt Flag bit  
 1 = The EUSART1 receive buffer, RCREG1, is full (cleared when RCREG1 is read)  
 0 = The EUSART1 receive buffer is empty
- bit 4 **TX1IF:** EUSART1 Transmit Interrupt Flag bit  
 1 = The EUSART1 transmit buffer, TXREG1, is empty (cleared when TXREG1 is written)  
 0 = The EUSART1 transmit buffer is full
- bit 3 **SSP1IF:** Master Synchronous Serial Port 1 Interrupt Flag bit  
 1 = The transmission/reception is complete (must be cleared in software)  
 0 = Waiting to transmit/receive
- bit 2 **CCP1IF:** ECCP1 Interrupt Flag bit  
Capture mode:  
 1 = A TMR1/TMR3 register capture occurred (must be cleared in software)  
 0 = No TMR1/TMR3 register capture occurred  
Compare mode:  
 1 = A TMR1/TMR3 register compare match occurred (must be cleared in software)  
 0 = No TMR1/TMR3 register compare match occurred  
PWM mode:  
 Unused in this mode.
- bit 1 **TMR2IF:** TMR2 to PR2 Match Interrupt Flag bit  
 1 = TMR2 to PR2 match occurred (must be cleared in software)  
 0 = No TMR2 to PR2 match occurred
- bit 0 **TMR1IF:** TMR1 Overflow Interrupt Flag bit  
 1 = TMR1 register overflowed (must be cleared in software)  
 0 = TMR1 register did not overflow

**Note 1:** These bits are unimplemented on 28-pin devices.



# PIC18F46J50 FAMILY

## REGISTER 9-5: PIR2: PERIPHERAL INTERRUPT REQUEST (FLAG) REGISTER 2 (ACCESS FA1h)

| R/W-0  | R/W-0 | R/W-0 | R/W-0 | R/W-0  | R/W-0  | R/W-0  | R/W-0  |
|--------|-------|-------|-------|--------|--------|--------|--------|
| OSCFIF | CM2IF | CM1IF | USBIF | BCL1IF | HLVDIF | TMR3IF | CCP2IF |
| bit 7  |       |       |       |        |        |        | bit 0  |

### Legend:

|                   |                  |                                    |
|-------------------|------------------|------------------------------------|
| R = Readable bit  | W = Writable bit | U = Unimplemented bit, read as '0' |
| -n = Value at POR | '1' = Bit is set | '0' = Bit is cleared               |
|                   |                  | x = Bit is unknown                 |

- bit 7      **OSCFIF:** Oscillator Fail Interrupt Flag bit  
 1 = Device oscillator failed, clock input has changed to INTOSC (must be cleared in software)  
 0 = Device clock is operating
- bit 6      **CM2IF:** Comparator 2 Interrupt Flag bit  
 1 = Comparator input has changed (must be cleared in software)  
 0 = Comparator input has not changed
- bit 5      **CM1IF:** Comparator 1 Interrupt Flag bit  
 1 = Comparator input has changed (must be cleared in software)  
 0 = Comparator input has not changed
- bit 4      **USBIF:** USB Interrupt Flag bit  
 1 = USB has requested an interrupt (must be cleared in software)  
 0 = No USB interrupt request
- bit 3      **BCL1IF:** Bus Collision Interrupt Flag bit (MSSP1 module)  
 1 = A bus collision occurred (must be cleared in software)  
 0 = No bus collision occurred
- bit 2      **HLVDIF/LVDIF:** High/Low-Voltage Detect (HLVD) Interrupt Flag bit  
 1 = A High/Low-Voltage Detect condition occurred (must be cleared in software)  
 0 = An HLVD event has not occurred
- bit 1      **TMR3IF:** TMR3 Overflow Interrupt Flag bit  
 1 = TMR3 register overflowed (must be cleared in software)  
 0 = TMR3 register did not overflow
- bit 0      **CCP2IF:** ECCP2 Interrupt Flag bit  
Capture mode:  
 1 = A TMR1/TMR3 register capture occurred (must be cleared in software)  
 0 = No TMR1/TMR3 register capture occurred  
Compare mode:  
 1 = A TMR1/TMR3 register compare match occurred (must be cleared in software)  
 0 = No TMR1/TMR3 register compare match occurred  
PWM mode:  
 Unused in this mode.

# PIC18F46J50 FAMILY

## REGISTER 9-6: PIR3: PERIPHERAL INTERRUPT REQUEST (FLAG) REGISTER 3 (ACCESS FA4h)

|        |        |       |       |        |        |         |        |
|--------|--------|-------|-------|--------|--------|---------|--------|
| R/W-0  | R/W-0  | R-0   | R-0   | R/W-0  | R/W-0  | R/W-0   | R/W-0  |
| SSP2IF | BCL2IF | RC2IF | TX2IF | TMR4IF | CTMUIF | TMR3GIF | RTCCIF |
| bit 7  |        |       |       |        |        |         | bit 0  |

### Legend:

R = Readable bit

W = Writable bit

U = Unimplemented bit, read as '0'

-n = Value at POR

'1' = Bit is set

'0' = Bit is cleared

x = Bit is unknown

- bit 7      **SSP2IF:** Master Synchronous Serial Port 2 Interrupt Flag bit  
 1 = The transmission/reception is complete (must be cleared in software)  
 0 = Waiting to transmit/receive
- bit 6      **BCL2IF:** Bus Collision Interrupt Flag bit (MSSP2 module)  
 1 = A bus collision occurred (must be cleared in software)  
 0 = No bus collision occurred
- bit 5      **RC2IF:** EUSART2 Receive Interrupt Flag bit  
 1 = The EUSART2 receive buffer, RCREG2, is full (cleared when RCREG2 is read)  
 0 = The EUSART2 receive buffer is empty
- bit 4      **TX2IF:** EUSART2 Transmit Interrupt Flag bit  
 1 = The EUSART2 transmit buffer, TXREG2, is empty (cleared when TXREG2 is written)  
 0 = The EUSART2 transmit buffer is full
- bit 3      **TMR4IF:** TMR4 to PR4 Match Interrupt Flag bit  
 1 = TMR4 to PR4 match occurred (must be cleared in software)  
 0 = No TMR4 to PR4 match occurred
- bit 2      **CTMUIF:** Charge Time Measurement Unit Interrupt Flag bit  
 1 = A CTMU event has occurred (must be cleared in software)  
 0 = CTMU event has not occurred
- bit 1      **TMR3GIF:** Timer3 Gate Event Interrupt Flag bit  
 1 = A Timer3 gate event completed (must be cleared in software)  
 0 = No Timer3 gate event completed
- bit 0      **RTCCIF:** RTCC Interrupt Flag bit  
 1 = RTCC interrupt occurred (must be cleared in software)  
 0 = No RTCC interrupt occurred

# PIC18F46J50 FAMILY

## 9.3 PIE Registers

The PIE registers contain the individual enable bits for the peripheral interrupts. Due to the number of peripheral interrupt sources, there are three Peripheral Interrupt Enable registers (PIE1, PIE2, PIE3). When IPEN = 0, the PEIE bit must be set to enable any of these peripheral interrupts.

### REGISTER 9-7: PIE1: PERIPHERAL INTERRUPT ENABLE REGISTER 1 (ACCESS F9Dh)

|                      |       |       |       |        |        |        |        |
|----------------------|-------|-------|-------|--------|--------|--------|--------|
| R/W-0                | R/W-0 | R/W-0 | R/W-0 | R/W-0  | R/W-0  | R/W-0  | R/W-0  |
| PMPIE <sup>(1)</sup> | ADIE  | RC1IE | TX1IE | SSP1IE | CCP1IE | TMR2IE | TMR1IE |
| bit 7                |       |       |       |        |        |        | bit 0  |

#### Legend:

|                   |                  |                                    |
|-------------------|------------------|------------------------------------|
| R = Readable bit  | W = Writable bit | U = Unimplemented bit, read as '0' |
| -n = Value at POR | '1' = Bit is set | '0' = Bit is cleared               |
|                   |                  | x = Bit is unknown                 |

- bit 7      **PMPIE:** Parallel Master Port Read/Write Interrupt Enable bit<sup>(1)</sup>  
           1 = Enables the PMP read/write interrupt  
           0 = Disables the PMP read/write interrupt
- bit 6      **ADIE:** A/D Converter Interrupt Enable bit  
           1 = Enables the A/D interrupt  
           0 = Disables the A/D interrupt
- bit 5      **RC1IE:** EUSART1 Receive Interrupt Enable bit  
           1 = Enables the EUSART1 receive interrupt  
           0 = Disables the EUSART1 receive interrupt
- bit 4      **TX1IE:** EUSART1 Transmit Interrupt Enable bit  
           1 = Enables the EUSART1 transmit interrupt  
           0 = Disables the EUSART1 transmit interrupt
- bit 3      **SSP1IE:** Master Synchronous Serial Port 1 Interrupt Enable bit  
           1 = Enables the MSSP1 interrupt  
           0 = Disables the MSSP1 interrupt
- bit 2      **CCP1IE:** ECCP1 Interrupt Enable bit  
           1 = Enables the ECCP1 interrupt  
           0 = Disables the ECCP1 interrupt
- bit 1      **TMR2IE:** TMR2 to PR2 Match Interrupt Enable bit  
           1 = Enables the TMR2 to PR2 match interrupt  
           0 = Disables the TMR2 to PR2 match interrupt
- bit 0      **TMR1IE:** TMR1 Overflow Interrupt Enable bit  
           1 = Enables the TMR1 overflow interrupt  
           0 = Disables the TMR1 overflow interrupt

**Note 1:** These bits are unimplemented on 28-pin devices.

# PIC18F46J50 FAMILY

## REGISTER 9-8: PIE2: PERIPHERAL INTERRUPT ENABLE REGISTER 2 (ACCESS FA0h)

|        |       |       |       |        |        |        |        |
|--------|-------|-------|-------|--------|--------|--------|--------|
| R/W-0  | R/W-0 | R/W-0 | R/W-0 | R/W-0  | R/W-0  | R/W-0  | R/W-0  |
| OSCFIE | CM2IE | CM1IE | USBIE | BCL1IE | HLVDIE | TMR3IE | CCP2IE |
| bit 7  |       |       |       |        |        |        | bit 0  |

### Legend:

R = Readable bit

W = Writable bit

U = Unimplemented bit, read as '0'

-n = Value at POR

'1' = Bit is set

'0' = Bit is cleared

x = Bit is unknown

- bit 7      **OSCFIE:** Oscillator Fail Interrupt Enable bit  
1 = Enabled  
0 = Disabled
- bit 6      **CM2IE:** Comparator 2 Interrupt Enable bit  
1 = Enabled  
0 = Disabled
- bit 5      **CM1IE:** Comparator 1 Interrupt Enable bit  
1 = Enabled  
0 = Disabled
- bit 4      **USBIE:** USB Interrupt Enable bit  
1 = Enabled  
0 = Disabled
- bit 3      **BCL1IE:** Bus Collision Interrupt Enable bit (MSSP1 module)  
1 = Enabled  
0 = Disabled
- bit 2      **HLVDIE:** High/Low-Voltage Detect Interrupt Enable bit  
1 = Enabled  
0 = Disabled
- bit 1      **TMR3IE:** TMR3 Overflow Interrupt Enable bit  
1 = Enabled  
0 = Disabled
- bit 0      **CCP2IE:** ECCP2 Interrupt Enable bit  
1 = Enabled  
0 = Disabled

# PIC18F46J50 FAMILY

## REGISTER 9-9: PIE3: PERIPHERAL INTERRUPT ENABLE REGISTER 3 (ACCESS FA3h)

| R/W-0  | R/W-0  | R/W-0 | R/W-0 | R/W-0  | R/W-0  | R/W-0   | R/W-0  |
|--------|--------|-------|-------|--------|--------|---------|--------|
| SSP2IE | BCL2IE | RC2IE | TX2IE | TMR4IE | CTMUIE | TMR3GIE | RTCCIE |
| bit 7  |        |       |       |        |        |         | bit 0  |

### Legend:

R = Readable bit

W = Writable bit

U = Unimplemented bit, read as '0'

-n = Value at POR

'1' = Bit is set

'0' = Bit is cleared

x = Bit is unknown

- bit 7      **SSP2IE:** Master Synchronous Serial Port 2 Interrupt Enable bit  
            1 = Enabled  
            0 = Disabled
- bit 6      **BCL2IE:** Bus Collision Interrupt Enable bit (MSSP2 module)  
            1 = Enabled  
            0 = Disabled
- bit 5      **RC2IE:** EUSART2 Receive Interrupt Enable bit  
            1 = Enabled  
            0 = Disabled
- bit 4      **TX2IE:** EUSART2 Transmit Interrupt Enable bit  
            1 = Enabled  
            0 = Disabled
- bit 3      **TMR4IE:** TMR4 to PR4 Match Interrupt Enable bit  
            1 = Enabled  
            0 = Disabled
- bit 2      **CTMUIE:** Charge Time Measurement Unit (CTMU) Interrupt Enable bit  
            1 = Enabled  
            0 = Disabled
- bit 1      **TMR3GIE:** Timer3 Gate Interrupt Enable bit  
            1 = Enabled  
            0 = Disabled
- bit 0      **RTCCIE:** RTCC Interrupt Enable bit  
            1 = Enabled  
            0 = Disabled

# PIC18F46J50 FAMILY

## 9.4 IPR Registers

The IPR registers contain the individual priority bits for the peripheral interrupts. Due to the number of peripheral interrupt sources, there are three Peripheral Interrupt Priority registers (IPR1, IPR2, IPR3). Using the priority bits requires that the Interrupt Priority Enable (IPEN) bit be set.

### REGISTER 9-10: IPR1: PERIPHERAL INTERRUPT PRIORITY REGISTER 1 (ACCESS F9Fh)

| R/W-1                | R/W-1 | R/W-1 | R/W-1 | R/W-1  | R/W-1  | R/W-1  | R/W-1  |
|----------------------|-------|-------|-------|--------|--------|--------|--------|
| PMP1P <sup>(1)</sup> | ADIP  | RC1IP | TX1IP | SSP1IP | CCP1IP | TMR2IP | TMR1IP |
| bit 7                |       |       |       |        |        |        | bit 0  |

#### Legend:

R = Readable bit

W = Writable bit

U = Unimplemented bit, read as '0'

-n = Value at POR

'1' = Bit is set

'0' = Bit is cleared

x = Bit is unknown

- bit 7      **PMP1P:** Parallel Master Port Read/Write Interrupt Priority bit<sup>(1)</sup>  
1 = High priority  
0 = Low priority
- bit 6      **ADIP:** A/D Converter Interrupt Priority bit  
1 = High priority  
0 = Low priority
- bit 5      **RC1IP:** EUSART1 Receive Interrupt Priority bit  
1 = High priority  
0 = Low priority
- bit 4      **TX1IP:** EUSART1 Transmit Interrupt Priority bit  
1 = High priority  
0 = Low priority
- bit 3      **SSP1IP:** Master Synchronous Serial Port Interrupt Priority bit (MSSP1 module)  
1 = High priority  
0 = Low priority
- bit 2      **CCP1IP:** ECCP1 Interrupt Priority bit  
1 = High priority  
0 = Low priority
- bit 1      **TMR2IP:** TMR2 to PR2 Match Interrupt Priority bit  
1 = High priority  
0 = Low priority
- bit 0      **TMR1IP:** TMR1 Overflow Interrupt Priority bit  
1 = High priority  
0 = Low priority

**Note 1:** These bits are unimplemented on 28-pin devices.

# PIC18F46J50 FAMILY

## REGISTER 9-11: IPR2: PERIPHERAL INTERRUPT PRIORITY REGISTER 2 (ACCESS FA2h)

| R/W-1  | R/W-1 | R/W-1 | R/W-1 | R/W-1  | R/W-1  | R/W-1  | R/W-1  |
|--------|-------|-------|-------|--------|--------|--------|--------|
| OSCFIP | CM2IP | CM1IP | USBIP | BCL1IP | HLVDIP | TMR3IP | CCP2IP |
| bit 7  |       |       |       |        |        |        | bit 0  |

### Legend:

R = Readable bit                      W = Writable bit                      U = Unimplemented bit, read as '0'  
-n = Value at POR                      '1' = Bit is set                      '0' = Bit is cleared                      x = Bit is unknown

- bit 7            **OSCFIP:** Oscillator Fail Interrupt Priority bit  
                  1 = High priority  
                  0 = Low priority
- bit 6            **CM2IP:** Comparator 2 Interrupt Priority bit  
                  1 = High priority  
                  0 = Low priority
- bit 5            **CM1IP:** Comparator 1 Interrupt Priority bit  
                  1 = High priority  
                  0 = Low priority
- bit 4            **USBIP:** USB Interrupt Priority bit  
                  1 = High priority  
                  0 = Low priority
- bit 3            **BCL1IP:** Bus Collision Interrupt Priority bit (MSSP1 module)  
                  1 = High priority  
                  0 = Low priority
- bit 2            **HLVDIP:** High/Low-Voltage Detect Interrupt Priority bit  
                  1 = High priority  
                  0 = Low priority
- bit 1            **TMR3IP:** TMR3 Overflow Interrupt Priority bit  
                  1 = High priority  
                  0 = Low priority
- bit 0            **CCP2IP:** ECCP2 Interrupt Priority bit  
                  1 = High priority  
                  0 = Low priority

# PIC18F46J50 FAMILY

## REGISTER 9-12: IPR3: PERIPHERAL INTERRUPT PRIORITY REGISTER 3 (ACCESS FA5h)

| R/W-1  | R/W-1  | R/W-1 | R/W-1 | R/W-1  | R/W-1  | R/W-1   | R/W-1  |
|--------|--------|-------|-------|--------|--------|---------|--------|
| SSP2IP | BCL2IP | RC2IP | TX2IP | TMR4IP | CTMUIP | TMR3GIP | RTCCIP |
| bit 7  |        |       |       |        |        |         | bit 0  |

### Legend:

R = Readable bit

W = Writable bit

U = Unimplemented bit, read as '0'

-n = Value at POR

'1' = Bit is set

'0' = Bit is cleared

x = Bit is unknown

- bit 7      **SSP2IP:** Master Synchronous Serial Port 2 Interrupt Priority bit  
          1 = High priority  
          0 = Low priority
- bit 6      **BCL2IP:** Bus Collision Interrupt Priority bit (MSSP2 module)  
          1 = High priority  
          0 = Low priority
- bit 5      **RC2IP:** EUSART2 Receive Interrupt Priority bit  
          1 = High priority  
          0 = Low priority
- bit 4      **TX2IP:** EUSART2 Transmit Interrupt Priority bit  
          1 = High priority  
          0 = Low priority
- bit 3      **TMR4IE:** TMR4 to PR4 Interrupt Priority bit  
          1 = High priority  
          0 = Low priority
- bit 2      **CTMUIP:** Charge Time Measurement Unit (CTMU) Interrupt Priority bit  
          1 = High priority  
          0 = Low priority
- bit 1      **TMR3GIP:** Timer3 Gate Interrupt Priority bit  
          1 = High priority  
          0 = Low priority
- bit 0      **RTCCIP:** RTCC Interrupt Priority bit  
          1 = High priority  
          0 = Low priority



# PIC18F46J50 FAMILY

## 9.5 RCON Register

The RCON register contains bits used to determine the cause of the last Reset or wake-up from Idle or Sleep mode. RCON also contains the bit that enables interrupt priorities (IPEN).

### REGISTER 9-13: RCON: RESET CONTROL REGISTER (ACCESS FD0h)

|       |     |                        |                        |                        |                        |                         |                         |
|-------|-----|------------------------|------------------------|------------------------|------------------------|-------------------------|-------------------------|
| R/W-0 | U-0 | R/W-1                  | R/W-1                  | R-1                    | R-1                    | R/W-0                   | R/W-0                   |
| IPEN  | —   | $\overline{\text{CM}}$ | $\overline{\text{RI}}$ | $\overline{\text{TO}}$ | $\overline{\text{PD}}$ | $\overline{\text{POR}}$ | $\overline{\text{BOR}}$ |
| bit 7 |     |                        |                        |                        |                        |                         | bit 0                   |

#### Legend:

R = Readable bit

W = Writable bit

U = Unimplemented bit, read as '0'

-n = Value at POR

'1' = Bit is set

'0' = Bit is cleared

x = Bit is unknown

|       |  |
|-------|--|
| bit 7 | <b>IPEN:</b> Interrupt Priority Enable bit<br>1 = Enable priority levels on interrupts<br>0 = Disable priority levels on interrupts (PIC16CXXX Compatibility mode) |
| bit 6 | <b>Unimplemented:</b> Read as '0'  |
| bit 5 | <b>CM:</b> Configuration Mismatch Flag bit<br>For details on bit operation, see <a href="#">Register 5-1</a> .   |
| bit 4 | <b>RI:</b> RESET Instruction Flag bit<br>For details on bit operation, see <a href="#">Register 5-1</a> .  |
| bit 3 | <b>TO:</b> Watchdog Timer Time-out Flag bit<br>For details on bit operation, see <a href="#">Register 5-1</a> .  |
| bit 2 | <b>PD:</b> Power-Down Detection Flag bit<br>For details on bit operation, see <a href="#">Register 5-1</a> .   |
| bit 1 | <b>POR:</b> Power-on Reset Status bit<br>For details on bit operation, see <a href="#">Register 5-1</a> .  |
| bit 0 | <b>BOR:</b> Brown-out Reset Status bit<br>For details on bit operation, see <a href="#">Register 5-1</a> .   |

# PIC18F46J50 FAMILY

## 9.6 INTx Pin Interrupts

External interrupts on the INT0, INT1, INT2 and INT3 pins are edge-triggered. If the corresponding INTEDGx bit in the INTCON2 register is set (= 1), the interrupt is triggered by a rising edge; if the bit is clear, the trigger is on the falling edge. When a valid edge appears on the INTx pin, the corresponding flag bit and INTxIF are set. This interrupt can be disabled by clearing the corresponding enable bit, INTxIE. Flag bit, INTxIF, must be cleared in software in the Interrupt Service Routine before re-enabling the interrupt.

All external interrupts (INT0, INT1, INT2 and INT3) can wake-up the processor from Sleep and Idle modes if bit, INTxIE, was set prior to going into the power-managed modes. After waking from Sleep or Idle mode, the processor will branch to the interrupt vector if the GIEH (and GIEL if configured for low priority) bit(s) are set. Deep Sleep mode can wake-up from INT0, but the processor will start execution from the Power-on Reset vector rather than branch to the interrupt vector.

Interrupt priority for INT1, INT2 and INT3 is determined by the value contained in the Interrupt Priority bits, INT1IP (INTCON3<6>), INT2IP (INTCON3<7>) and INT3IP (INTCON2<1>). There is no priority bit associated with INT0; it is always a high-priority interrupt source.

## 9.7 TMR0 Interrupt

In 8-bit mode (which is the default), an overflow in the TMR0 register (FFh → 00h) will set flag bit, TMR0IF. In 16-bit mode, an overflow in the TMR0H:TMR0L

register pair (FFFFh → 0000h) will set TMR0IF. The interrupt can be enabled/disabled by setting/clearing enable bit, TMR0IE (INTCON<5>). Interrupt priority for Timer0 is determined by the value contained in the interrupt priority bit, TMR0IP (INTCON2<2>). See **Section 12.0 “Timer0 Module”** for further details on the Timer0 module.

## 9.8 PORTB Interrupt-on-Change

An input change on PORTB<7:4> sets flag bit, RBIF (INTCON<0>). The interrupt can be enabled/disabled by setting/clearing enable bit, RBIE (INTCON<3>). Interrupt priority for PORTB interrupt-on-change is determined by the value contained in the interrupt priority bit, RBIP (INTCON2<0>).

## 9.9 Context Saving During Interrupts

During interrupts, the return PC address is saved on the stack. Additionally, the WREG, STATUS and BSR registers are saved on the Fast Return Stack. If a fast return from interrupt is not used (see **Section 6.3 “Data Memory Organization”**), the user may need to save the WREG, STATUS and BSR registers on entry to the Interrupt Service Routine. Depending on the user’s application, other registers may also need to be saved. **Example 9-1** saves and restores the WREG, STATUS and BSR registers during an Interrupt Service Routine.

### EXAMPLE 9-1: SAVING STATUS, WREG AND BSR REGISTERS IN RAM

```
MOVWF  W_TEMP          ; W_TEMP is in access bank
MOVFF  STATUS, STATUS_TEMP ; STATUS_TEMP located anywhere
MOVFF  BSR, BSR_TEMP    ; BSR_TEMP located anywhere
;
; USER ISR CODE
;
MOVFF  BSR_TEMP, BSR    ; Restore BSR
MOVF   W_TEMP, W       ; Restore WREG
MOVFF  STATUS_TEMP, STATUS ; Restore STATUS
```

## 10.0 I/O PORTS

Depending on the device selected and features enabled, there are up to five ports available. Some pins of the I/O ports are multiplexed with an alternate function from the peripheral features on the device. In general, when a peripheral is enabled, that pin may not be used as a general purpose I/O pin.

Each port has three registers for its operation. These registers are:

- TRIS register (Data Direction register)
- PORT register (reads the levels on the pins of the device)
- LAT register (Data Latch)

Pins that are multiplexed with analog functionality (ANx pins) also have ANCON register bits associated with them.

The TRISx registers control which pins should be configured as digital outputs (output buffer enabled) and which pins should be left high-impedance. Writing '0' to a TRIS bit configures the specified pin as a digital output. Writing a '1' to a TRIS bit disables the output driver, so the pin can be used as a digital or analog input. This can be easily remembered by observing that '0' is similar to the letter, O (as in Output), and that '1' is similar to the letter, I (as in Input).

The PORTx registers can be used to read the logic level externally presented on pins that have been configured as digital inputs. If a pin is configured as a digital input, the corresponding port bit will be read as '1' if the externally applied voltage is greater than the  $V_{IH}$  level for that pin. If the externally applied voltage is below  $V_{IL}$ , then the PORTx bit will read as '0'. If the I/O pin is multiplexed with analog functionality (an ANx pin), then the corresponding PCFG bit, in the appropriate ANCONx register, must also be set, in order to correctly read the externally applied voltage on the pin. See the following information regarding the ANCONx registers.

If the application firmware writes to a PORTx register, this will cause the corresponding LATx register to be updated. It is usually not recommended to perform read-modify-write instructions (ex: BTG, BSF, BCF) on a PORTx register. If the application firmware wishes to change the output state of a pin that has been configured as a digital output (TRIS bit = 0), it is recommended that the firmware use the corresponding LATx register instead.

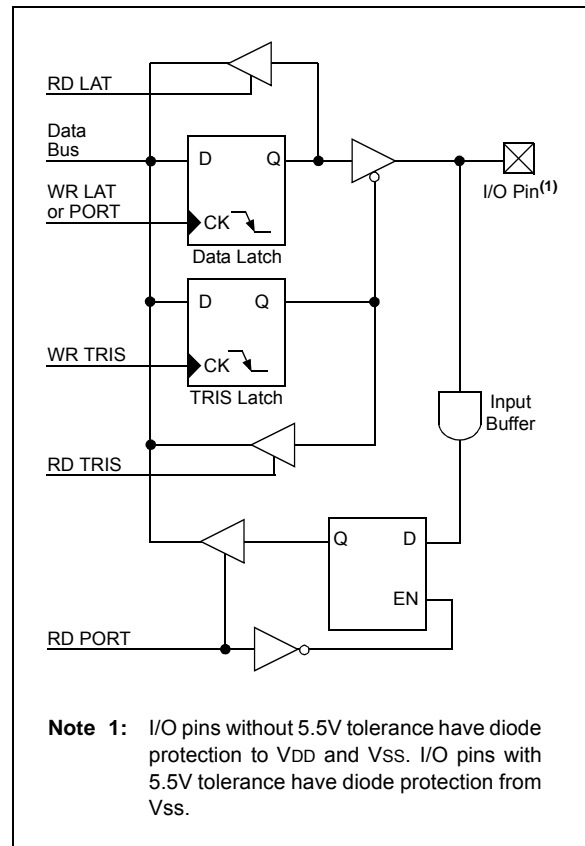
The LATx registers hold the digital value that is output onto a pin when the pin has been configured as a digital output (TRIS bit = 0). Writing a '1' to the LATx bit will drive the output pin to the logic high output state. Similarly, writing a '0' to the LAT bit will drive the output pin to a logic low output state. It is safe to perform all types of read, write and read-modify-write instructions on the LATx registers.

The ANCONx registers are used to configure pins with ANx analog functionality for either Digital Input or Analog Input mode. Setting a PCFG bit in an ANCONx register enables the digital input buffer, allowing reads from the PORTx register to correctly reflect the externally applied voltage on the digital input pin. If the PCFG bit is clear, the digital input buffer is disabled, to eliminate CMOS input buffer cross conduction currents, when a mid- $V_{DD}$  scale analog voltage is applied to the pin. This allows analog input voltages (between  $V_{DD}$  and  $V_{SS}$ ) to be applied to the pin without increasing the current consumption of the device. If the appropriate PCFG bit in the ANCONx register is not set, this will cause the PORTx register bit for that pin to read as '0', regardless of the actually applied external voltage.

At power-up, the default state of the ANCONx registers is to configure the ANx pins for Analog mode (digital input buffer off). Therefore, to use ANx pins as digital inputs, the application firmware must first update the ANCONx register(s). See [Section 21.0 "10-bit Analog-to-Digital Converter \(A/D\) Module"](#) for more details regarding the ANCONx registers.

[Figure 10-1](#) displays a simplified model of a generic I/O port, without the interfaces to other peripherals.

**FIGURE 10-1: GENERIC I/O PORT OPERATION**



# PIC18F46J50 FAMILY

## 10.1 I/O Port Pin Capabilities

When developing an application, the capabilities of the port pins must be considered. Outputs on some pins have higher output drive strength than others. Similarly, some pins can tolerate higher than  $V_{DD}$  input levels.

### 10.1.1 PIN OUTPUT DRIVE

General purpose output buffers are implemented with CMOS transistors, for rail to rail output capability, when lightly loaded. The output pin drive strengths vary for groups of pins intended to meet the needs for a variety of applications. PORTB and PORTC are designed to drive higher loads, such as LEDs. All other ports are designed for small loads; typically, indication only. Table 10-1 summarizes the output capabilities. Refer to Section 30.0 “Electrical Characteristics” for more details.

**TABLE 10-1: OUTPUT DRIVE LEVELS**

| Port                  | Drive   | Description                           |
|-----------------------|---------|---------------------------------------|
| PORTA<br>(except RA6) | Minimum | Intended for indication.              |
| PORTD                 |         |                                       |
| PORTE                 |         |                                       |
| PORTB                 | High    | Suitable for strong LED drive levels. |
| PORTC                 |         |                                       |
| PORTA<6>              |         |                                       |

### 10.1.2 INPUT PINS AND VOLTAGE CONSIDERATIONS

The voltage tolerance of pins used as device inputs is dependent on the pin's input function. Pins that are used as digital only inputs are able to handle DC voltages up to 5.5V; a level typical for digital logic circuits. In contrast, pins that also have analog input functions of any kind can only tolerate voltages up to  $V_{DD}$ . Voltage excursions beyond  $V_{DD}$  on these pins should be avoided. Table 10-2 summarizes the input capabilities. Refer to Section 30.0 “Electrical Characteristics” for more details.

**TABLE 10-2: INPUT VOLTAGE LEVELS**

| Port or Pin | Tolerated Input | Description   |
|-------------|-----------------|---|
| PORTA<7:0>  | $V_{DD}$        | Only $V_{DD}$ input levels are tolerated.                               |
| PORTB<3:0>  |                 |   |
| PORTC<2:0>  |                 |   |
| PORTE<2:0>  | 5.5V            | Tolerates input levels above $V_{DD}$ , useful for most standard logic. |
| PORTB<7:4>  |                 |   |
| PORTC<7:6>  |                 |   |
| PORTD<7:0>  | (USB)           | Designed for USB specifications.  |
| PORTC<5:4>  |                 |   |

## 10.1.3 INTERFACING TO A 5V SYSTEM

Though the  $V_{DDMAX}$  of the PIC18F46J50 family is 3.6V, these devices are still capable of interfacing with 5V systems, even if the  $V_{IH}$  of the target system is above 3.6V. This is accomplished by adding a pull-up resistor to the port pin (Figure 10-2), clearing the LAT bit for that pin and manipulating the corresponding TRIS bit (Figure 10-1) to either allow the line to be pulled high, or to drive the pin low. Only port pins that are tolerant of voltages up to 5.5V can be used for this type of interface (refer to Section 10.1.2 “Input Pins and Voltage Considerations”).

**FIGURE 10-2: +5V SYSTEM HARDWARE INTERFACE**



**EXAMPLE 10-1: COMMUNICATING WITH THE +5V SYSTEM**

```
BCF LATD, 7 ; set up LAT register so
              ; changing TRIS bit will
              ; drive line low
BCF TRISD, 7 ; send a 0 to the 5V system
BSF TRISD, 7 ; send a 1 to the 5V system
```

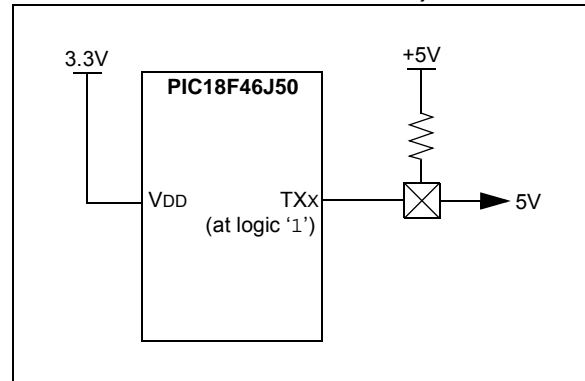
## 10.1.4 OPEN-DRAIN OUTPUTS

The output pins for several peripherals are also equipped with a configurable open-drain output option. This allows the peripherals to communicate with external digital logic, operating at a higher voltage level, without the use of level translators.

The open-drain option is implemented on port pins specifically associated with the data and clock outputs of the EUSARTs, the MSSP modules (in SPI mode) and the ECCP modules. It is selectively enabled by setting the open-drain control bit for the corresponding module in the ODCON registers (Register 10-1, Register 10-2 and Register 10-3). Their configuration is discussed in more detail with the individual port where these peripherals are multiplexed. Output functions that are routed through the PPS module may also use the open-drain option. The open-drain functionality will follow the I/O pin assignment in the PPS module.

When the open-drain option is required, the output pin must also be tied through an external pull-up resistor, provided by the user, to a higher voltage level, up to 5.5V (Figure 10-3). When a digital logic high signal is output, it is pulled up to the higher voltage level.

**FIGURE 10-3: USING THE OPEN-DRAIN OUTPUT (USART SHOWN AS EXAMPLE)**



## 10.1.5 TTL INPUT BUFFER OPTION

Many of the digital I/O ports use Schmitt Trigger (ST) input buffers. While this form of buffering works well with many types of input, some applications may require TTL level signals to interface with external logic devices. This is particularly true for the Parallel Master Port (PMP), which is likely to be interfaced to TTL level logic or memory devices.

The inputs for the PMP can be optionally configured for TTL buffers with the PMPTTL bit in the PADCFG1 register (Register 10-4). Setting this bit configures all data and control input pins for the PMP to use TTL buffers. By default, these PMP inputs use the port's ST buffers.

# PIC18F46J50 FAMILY

## REGISTER 10-1: ODCON1: PERIPHERAL OPEN-DRAIN CONTROL REGISTER 1 (BANKED F42h)

|       |     |     |     |     |     |         |         |
|-------|-----|-----|-----|-----|-----|---------|---------|
| U-0   | U-0 | U-0 | U-0 | U-0 | U-0 | R/W-0   | R/W-0   |
| —     | —   | —   | —   | —   | —   | ECCP2OD | ECCP1OD |
| bit 7 |     |     |     |     |     | bit 0   |         |

### Legend:

R = Readable bit                      W = Writable bit                      U = Unimplemented bit, read as '0'  
 -n = Value at POR                      '1' = Bit is set                      '0' = Bit is cleared                      x = Bit is unknown

- bit 7-2            **Unimplemented:** Read as '0'
- bit 1            **ECCP2OD:** ECCP2 Open-Drain Output Enable bit  
                   1 = Open-drain capability is enabled  
                   0 = Open-drain capability is disabled
- bit 0            **ECCP1OD:** ECCP1 Open-Drain Output Enable bit  
                   1 = Open-drain capability is enabled  
                   0 = Open-drain capability is disabled

## REGISTER 10-2: ODCON2: PERIPHERAL OPEN-DRAIN CONTROL REGISTER 2 (BANKED F41h)

|       |     |     |     |     |     |       |       |
|-------|-----|-----|-----|-----|-----|-------|-------|
| U-0   | U-0 | U-0 | U-0 | U-0 | U-0 | R/W-0 | R/W-0 |
| —     | —   | —   | —   | —   | —   | U2OD  | U1OD  |
| bit 7 |     |     |     |     |     | bit 0 |       |

### Legend:

R = Readable bit                      W = Writable bit                      U = Unimplemented bit, read as '0'  
 -n = Value at POR                      '1' = Bit is set                      '0' = Bit is cleared                      x = Bit is unknown

- bit 7-2            **Unimplemented:** Read as '0'
- bit 1            **U2OD:** USART2 Open-Drain Output Enable bit  
                   1 = Open-drain capability is enabled  
                   0 = Open-drain capability is disabled
- bit 0            **U1OD:** USART1 Open-Drain Output Enable bit  
                   1 = Open-drain capability is enabled  
                   0 = Open-drain capability is disabled

# PIC18F46J50 FAMILY

## REGISTER 10-3: ODCON3: PERIPHERAL OPEN-DRAIN CONTROL REGISTER 3 (BANKED F40h)

|       |     |     |     |     |     |        |        |
|-------|-----|-----|-----|-----|-----|--------|--------|
| U-0   | U-0 | U-0 | U-0 | U-0 | U-0 | R/W-0  | R/W-0  |
| —     | —   | —   | —   | —   | —   | SPI2OD | SPI1OD |
| bit 7 |     |     |     |     |     | bit 0  |        |

### Legend:

R = Readable bit                      W = Writable bit                      U = Unimplemented bit, read as '0'  
 -n = Value at POR                      '1' = Bit is set                      '0' = Bit is cleared                      x = Bit is unknown

- bit 7-2        **Unimplemented:** Read as '0'
- bit 1        **SPI2OD:** SPI2 Open-Drain Output Enable bit  
             1 = Open-drain capability is enabled  
             0 = Open-drain capability is disabled
- bit 0        **SPI1OD:** SPI1 Open-Drain Output Enable bit  
             1 = Open-drain capability is enabled  
             0 = Open-drain capability is disabled

## REGISTER 10-4: PADCFG1: PAD CONFIGURATION CONTROL REGISTER 1 (BANKED F3Ch)

|       |     |     |     |     |                          |                          |        |
|-------|-----|-----|-----|-----|--------------------------|--------------------------|--------|
| U-0   | U-0 | U-0 | U-0 | U-0 | R/W-0                    | R/W-0                    | R/W-0  |
| —     | —   | —   | —   | —   | RTSECSEL1 <sup>(1)</sup> | RTSECSEL0 <sup>(1)</sup> | PMPTTL |
| bit 7 |     |     |     |     |                          | bit 0                    |        |

### Legend:

R = Readable bit                      W = Writable bit                      U = Unimplemented bit, read as '0'  
 -n = Value at POR                      '1' = Bit is set                      '0' = Bit is cleared                      x = Bit is unknown

- bit 7-3        **Unimplemented:** Read as '0'
- bit 2-1        **RTSECSEL<1:0>:** RTCC Seconds Clock Output Select bits<sup>(1)</sup>  
             11 = Reserved; do not use  
             10 = RTCC source clock is selected for the RTCC pin (can be INTRC, T1OSC or T1CKI, depending upon the RTCOSC (CONFIG3L<1>) and T1OSCEN (T1CON<3>) bit settings)  
             01 = RTCC seconds clock is selected for the RTCC pin  
             00 = RTCC alarm pulse is selected for the RTCC pin
- bit 0        **PMPTTL:** PMP Module TTL Input Buffer Select bit  
             1 = PMP module uses TTL input buffers  
             0 = PMP module uses Schmitt Trigger input buffers

**Note 1:** To enable the actual RTCC output, the RTCOE (RTCCFG<2>) bit needs to be set.

# PIC18F46J50 FAMILY

## 10.2 PORTA, TRISA and LATA Registers

PORTA is a 7-bit wide, bidirectional port. It may also function as a 5-bit or 6-bit port, depending on the oscillator mode selected. Setting a TRISA bit (= 1) will make the corresponding PORTA pin an input (i.e., put the corresponding output driver in a High-Impedance mode). Clearing a TRISA bit (= 0) will make the corresponding PORTA pin an output (i.e., put the contents of the output latch on the selected pin).

Reading the PORTA register reads the status of the pins, whereas writing to it, will write to the port latch.

The Data Latch (LATA) register is also memory mapped. Read-modify-write operations on the LATA register read and write the latched output value for PORTA.

Most PORTA pins are multiplexed with analog (ANx) functionality. In order to use the analog capable pins as digital inputs, the corresponding PCFG bits in the ANCON0 register must be set.

Pins, RA0 through RA3, may also be used as comparator inputs by setting the appropriate bits in the CMxCON registers and configuring the pins as analog inputs.

**Note:** On a Power-on Reset (POR), RA5 and RA<3:0> are configured as analog inputs and read as '0'.

All PORTA pins have full CMOS output drivers.

The TRISA register controls the direction of the PORTA pins, even when they are being used as analog inputs.

### EXAMPLE 10-2: INITIALIZING PORTA

```
CLRF    LATA                ;Clearing the PORTA latches
                          ;will cause the pins to drive
                          ;low if configured as outputs

MOVLW   0x1F                ;Configure AN0-AN4 pins
MOVFF   WREG,ANCON0         ;for digital input mode
MOVLW   0xCF                ;Example value used to
                          ;initialize data direction

MOVWF   TRISA              ;Set RA<3:0> as inputs
                          ;RA4 is unimplemented
                          ;RA5 as output
                          ;RA6 and RA7 as inputs
                          ;(unless overridden by osc settings)
```



# PIC18F46J50 FAMILY

**TABLE 10-3: PORTA I/O SUMMARY**

| Pin                                  | Function            | TRIS Setting | I/O | I/O Type | Description   |
|--------------------------------------|---------------------|--------------|-----|----------|---|
| RA0/AN0/C1INA/<br>ULPWU/PMA6/<br>RP0 | RA0                 | 1            | I   | TTL      | PORTA<0> data input; disabled when analog input is enabled.   |
|                                      |                     | 0            | O   | DIG      | LATA<0> data output; not affected by analog input.  |
|                                      | AN0                 | 1            | I   | ANA      | A/D Input Channel 0 and Comparator C1- input. Default input configuration on POR; does not affect digital output. |
|                                      | C1INA               | 1            | I   | ANA      | Comparator 1 Input A.   |
|                                      | ULPWU               | 1            | I   | ANA      | Ultra Low-Power Wake-up input.  |
|                                      | PMA6 <sup>(1)</sup> | 0            | O   | DIG      | Parallel Master Port address.   |
|                                      | RP0                 | 1            | I   | ST       | Remappable Peripheral Pin 0 input.  |
|                                      |                     | 0            | O   | DIG      | Remappable Peripheral Pin 0 output.   |
| RA1/AN1/C2INA/<br>PMA7/RP1           | RA1                 | 1            | I   | TTL      | PORTA<1> data input; disabled when analog input is enabled.   |
|                                      |                     | 0            | O   | DIG      | LATA<1> data output; not affected by analog input.  |
|                                      | AN1                 | 1            | I   | ANA      | A/D Input Channel 1 and Comparator C2- input. Default input configuration on POR; does not affect digital output. |
|                                      | C2INA               | 1            | I   | ANA      | Comparator 1 Input A.   |
|                                      | PMA7 <sup>(1)</sup> | 0            | O   | DIG      | Parallel Master Port address.   |
|                                      | RP1                 | 1            | I   | ST       | Remappable Peripheral Pin 1 input.  |
|                                      |                     | 0            | O   | DIG      | Remappable Peripheral Pin 1 output  |
| RA2/AN2/<br>VREF-/CVREF/<br>C2INB    | RA2                 | 0            | O   | DIG      | LATA<2> data output; not affected by analog input. Disabled when CVREF output is enabled.                         |
|                                      |                     | 1            | I   | TTL      | PORTA<2> data input. Disabled when analog functions are enabled; disabled when CVREF output is enabled.           |
|                                      | AN2                 | 1            | I   | ANA      | A/D Input Channel 2 and Comparator C2+ input. Default input configuration on POR; not affected by analog output.  |
|                                      | VREF-               | 1            | I   | ANA      | A/D and comparator voltage reference low input.   |
|                                      | CVREF               | x            | O   | ANA      | Comparator voltage reference output. Enabling this feature disables digital I/O.                                  |
|                                      | C2INB               | 1            | I   | ANA      | Comparator 2 Input B.   |
|                                      |                     | 0            | O   | ANA      | CTMU pulse generator charger for the C2INB comparator input.  |
| RA3/AN3/VREF+/<br>C1INB              | RA3                 | 0            | O   | DIG      | LATA<3> data output; not affected by analog input.  |
|                                      |                     | 1            | I   | TTL      | PORTA<3> data input; disabled when analog input is enabled.   |
|                                      | AN3                 | 1            | I   | ANA      | A/D Input Channel 3 and Comparator C1+ input. Default input configuration on POR.                                 |
|                                      | VREF+               | 1            | I   | ANA      | A/D and comparator voltage reference high input.  |
|                                      | C1INB               | 1            | I   | ANA      | Comparator 1 Input B  |

**Legend:** DIG = Digital level output; TTL = TTL input buffer; ST = Schmitt Trigger input buffer; ANA = Analog level input/output; x = Don't care (TRIS bit does not affect port direction or is overridden for this option)

**Note 1:** This bit is only available on 44-pin devices.

# PIC18F46J50 FAMILY

**TABLE 10-3: PORTA I/O SUMMARY (CONTINUED)**

| Pin                                | Function | TRIS Setting | I/O | I/O Type                            | Description   |
|------------------------------------|----------|--------------|-----|-------------------------------------|---|
| RA5/AN4/SS1/<br>HLVDIN/RCV/<br>RP2 | RA5      | 0            | O   | DIG                                 | LATA<5> data output; not affected by analog input.                |
|                                    |          | 1            | I   | TTL                                 | PORTA<5> data input; disabled when analog input is enabled.       |
|                                    | AN4      | 1            | I   | ANA                                 | A/D Input Channel 4. Default configuration on POR.                |
|                                    | SS1      | 1            | I   | TTL                                 | Slave select input for MSSP1.                                     |
|                                    | HLVDIN   | 1            | I   | ANA                                 | High/Low-Voltage Detect external trip point reference input.      |
|                                    | RCV      | 1            | I   | TTL                                 | External USB transceiver RCV input.                               |
|                                    |          | 1            | I   | ST                                  | Remappable Peripheral Pin 2 input.                                |
| RP2                                | 0        | O            | DIG | Remappable Peripheral Pin 2 output. |   |
| OSC2/CLKO/<br>RA6                  | OSC2     | x            | O   | ANA                                 | Main oscillator feedback output connection (HS mode).             |
|                                    | CLKO     | x            | O   | DIG                                 | System cycle clock output (Fosc/4) in RC and EC Oscillator modes. |
|                                    | RA6      | 1            | I   | TTL                                 | PORTA<6> data input.  |
|                                    |          | 0            | O   | DIG                                 | LATA<6> data output.  |
| OSC1/CLKI/RA7                      | OSC1     | 1            | I   | ANA                                 | Main oscillator input connection.                                 |
|                                    | CLKI     | 1            | I   | ANA                                 | Main clock input connection.                                      |
|                                    | RA7      | 1            | I   | TTL                                 | PORTA<6> data input.  |
|                                    |          | 0            | O   | DIG                                 | LATA<6> data output.  |

**Legend:** DIG = Digital level output; TTL = TTL input buffer; ST = Schmitt Trigger input buffer; ANA = Analog level input/output; x = Don't care (TRIS bit does not affect port direction or is overridden for this option)

**Note 1:** This bit is only available on 44-pin devices.

**TABLE 10-4: SUMMARY OF REGISTERS ASSOCIATED WITH PORTA**

| Name   | Bit 7                | Bit 6                | Bit 5                | Bit 4  | Bit 3  | Bit 2  | Bit 1  | Bit 0  | Reset Values on Page |
|--------|----------------------|----------------------|----------------------|--------|--------|--------|--------|--------|----------------------|
| PORTA  | RA7                  | RA6                  | RA5                  | —      | RA3    | RA2    | RA1    | RA0    | 87                   |
| LATA   | LAT7                 | LAT6                 | LAT5                 | —      | LAT3   | LAT2   | LAT1   | LAT0   | 92                   |
| TRISA  | TRIS7                | TRIS6                | TRISA5               | —      | TRISA3 | TRISA2 | TRISA1 | TRISA0 | 92                   |
| ANCON0 | PCFG7 <sup>(1)</sup> | PCFG6 <sup>(1)</sup> | PCFG5 <sup>(1)</sup> | PCFG4  | PCFG3  | PCFG2  | PCFG1  | PCFG0  | 90                   |
| CMxCON | CON                  | COE                  | CPOL                 | EVPOL1 | EVPOL0 | CREF   | CCH1   | CCH0   | 90                   |
| CVRCON | CVREN                | CVROE                | CVRR                 | r      | CVR3   | CVR2   | CVR1   | CVR0   | 93                   |

**Legend:** — = unimplemented, read as '0', r = reserved. Shaded cells are not used by PORTA.

**Note 1:** These bits are only available on 44-pin devices.

## 10.3 PORTB, TRISB and LATB Registers

PORTB is an 8-bit wide, bidirectional port. The corresponding Data Direction register is TRISB. Setting a TRISB bit (= 1) will make the corresponding PORTB pin an input (i.e., put the corresponding output driver in a High-Impedance mode). Clearing a TRISB bit (= 0) will make the corresponding PORTB pin an output (i.e., put the contents of the output latch on the selected pin).

The Data Latch register (LATB) is also memory mapped. Read-modify-write operations on the LATB register read and write the latched output value for PORTB.

Each of the PORTB pins has a weak internal pull-up. A single control bit can turn on all the pull-ups. This is performed by clearing bit,  $\overline{\text{RBPU}}$  (INTCON2<7>). The weak pull-up is automatically turned off when the port pin is configured as an output. The pull-ups are disabled on a POR. The integrated weak pull-ups consist of a semiconductor structure similar to, but somewhat different, from a discrete resistor. On an unloaded I/O pin, the weak pull-ups are intended to provide logic high indication, but will not necessarily pull the pin all the way to VDD levels.

**Note:** On a POR, the RB<3:0> bits are configured as analog inputs by default and read as '0'; RB<7:4> bits are configured as digital inputs.

Four of the PORTB pins (RB<7:4>) have an interrupt-on-change feature. Only pins configured as inputs can cause this interrupt to occur (i.e., any RB<7:4> pin configured as an output is excluded from the interrupt-on-change comparison). The input pins (of RB<7:4>) are compared with the old value latched on the last read of PORTB. The "mismatch" outputs of RB<7:4> are ORed together to generate the RB Port Change Interrupt with Flag bit, RBIF (INTCON<0>).

This interrupt can wake the device from Sleep mode or any of the Idle modes. Application software can clear the interrupt flag by following these steps:

1. Any read or write of PORTB (except with the MOVFF (ANY), PORTB instruction).
2. Wait one instruction cycle (such as executing a NOP instruction).
3. Clear flag bit, RBIF.

A mismatch condition continues to set flag bit, RBIF. Reading PORTB will end the mismatch condition and allow flag bit, RBIF, to be cleared after one instruction cycle of delay.

The interrupt-on-change feature is recommended for wake-up on key depression operation and operations where PORTB is only used for the interrupt-on-change feature. Polling of PORTB is not recommended while using the interrupt-on-change feature.

The RB5 pin is multiplexed with the Timer0 module clock input and one of the comparator outputs to become the RB5/PMA0/KBI1/SDI1/SDA1/RP8 pin.

### EXAMPLE 10-3: INITIALIZING PORTB

```

MOVLW    0x08                ; Initialize output data
MOVWF    LATB                ; latch values for digital
                                ; output pins.
MOVLB    0x0F                ; ANCONx registers are
                                ; not in access bank
BSF      ANCON1, PCFG12, BANKED ; Configure RB0/AN12 for digital input mode
BCF      ANCON1, PCFG10, BANKED ; Configure RB1/AN10 for analog input mode
MOVLW    0xC3                ; RB0 configured as digital input
MOVWF    TRISB              ; RB1 configured as analog input
                                ; RB2 configured as output low
                                ; RB3 configured as output high
                                ; RB4 configured as output low
                                ; RB5 configured as output low
                                ; RB6 configured as digital input
                                ; RB7 configured as digital input
    
```

# PIC18F46J50 FAMILY

**TABLE 10-5: PORTB I/O SUMMARY**

| Pin   | Function            | TRIS Setting | I/O | I/O Type                            | Description   |
|---|---------------------|--------------|-----|-------------------------------------|---|
| RB0/AN12/<br>INT0/RP3                       | RB0                 | 1            | I   | TTL                                 | PORTB<0> data input; weak pull-up when $\overline{\text{RBPU}}$ bit is cleared. Disabled when analog input is enabled. <sup>(1)</sup> |
|   |                     | 0            | O   | DIG                                 | LATB<0> data output; not affected by analog input.  |
|   | AN12                | 1            | I   | ANA                                 | A/D Input Channel 12. <sup>(1)</sup>  |
|   | INT0                | 1            | I   | ST                                  | External Interrupt 0 input.   |
|   | RP3                 | 1            | I   | ST                                  | Remappable Peripheral Pin 3 input.  |
|   |                     | 0            | O   | DIG                                 | Remappable Peripheral Pin 3 output.   |
| RB1/AN10/<br>PMBE/RTCC/<br>RP4              | RB1                 | 1            | I   | TTL                                 | PORTB<1> data input; weak pull-up when $\overline{\text{RBPU}}$ bit is cleared. Disabled when analog input is enabled. <sup>(1)</sup> |
|   |                     | 0            | O   | DIG                                 | LATB<1> data output; not affected by analog input.  |
|   | AN10                | 1            | I   | ANA                                 | A/D Input Channel 10. <sup>(1)</sup>  |
|   | PMBE <sup>(3)</sup> | 0            | O   | DIG                                 | Parallel Master Port byte enable output.  |
|   | RTCC                | 0            | O   | DIG                                 | Real-Time Clock Calender output.  |
|   | RP4                 | 1            | I   | ST                                  | Remappable Peripheral Pin 4 input.  |
| 0   |                     | O            | DIG | Remappable Peripheral Pin 4 output. |   |
| RB2/AN8/<br>CTED1/PMA3/<br>VMO/REFO/<br>RP5 | RB2                 | 1            | I   | TTL                                 | PORTB<2> data input; weak pull-up when $\overline{\text{RBPU}}$ bit is cleared. Disabled when analog input is enabled. <sup>(1)</sup> |
|   |                     | 0            | O   | DIG                                 | LATB<2> data output; not affected by analog input.  |
|   | AN8                 | 1            | I   | ANA                                 | A/D Input Channel 8. <sup>(1)</sup>   |
|   | CTED1               | 1            | I   | ST                                  | CTMU Edge 1 input.  |
|   | PMA3 <sup>(3)</sup> | 0            | O   | DIG                                 | Parallel Master Port address.   |
|   | VMO                 | 0            | O   | DIG                                 | External USB transceiver D – data output.   |
|   | REFO                | 0            | O   | DIG                                 | Reference output clock.   |
|   | RP5                 | 1            | I   | ST                                  | Remappable Peripheral Pin 5 input.  |
| 0   |                     | O            | DIG | Remappable Peripheral Pin 5 output. |   |
| RB3/AN9/<br>CTED2/PMA2/<br>VPO/RP6          | RB3                 | 0            | O   | DIG                                 | LATB<3> data output; not affected by analog input.  |
|   |                     | 1            | I   | TTL                                 | PORTB<3> data input; weak pull-up when $\overline{\text{RBPU}}$ bit is cleared. Disabled when analog input is enabled. <sup>(1)</sup> |
|   | AN9                 | 1            | I   | ANA                                 | A/D Input Channel 9. <sup>(1)</sup>   |
|   | CTED2               | 1            | I   | ST                                  | CTMU Edge 2 input.  |
|   | PMA2 <sup>(3)</sup> | 0            | O   | DIG                                 | Parallel Master Port address.   |
|   | VPO                 | 0            | I   | DIG                                 | External USB transceiver D+ data output.  |
|   | RP6                 | 1            | I   | ST                                  | Remappable Peripheral Pin 6 input.  |
|   |                     | 0            | O   | DIG                                 | Remappable Peripheral Pin 6 output.   |

**Legend:** DIG = Digital level output; TTL = TTL input buffer; ST = Schmitt Trigger input buffer; ANA = Analog level input/output; x = Don't care (TRIS bit does not affect port direction or is overridden for this option)

**Note 1:** Pins are configured as analog inputs by default on POR. Using these pins for digital inputs requires setting the appropriate bits in the ANCONx register first.

**2:** All other pin functions are disabled when ICSP™ or MPLAB® ICD are enabled.

**3:** This functionality is only available on 44-pin devices.

# PIC18F46J50 FAMILY

**TABLE 10-5: PORTB I/O SUMMARY (CONTINUED)**

| Pin                                 | Function            | TRIS Setting | I/O | I/O Type                            | Description   |
|-------------------------------------|---------------------|--------------|-----|-------------------------------------|---|
| RB4/PMA1/<br>KBI0/SCK1/<br>SCL1/RP7 | RB4                 | 0            | O   | DIG                                 | LATB<4> data output; not affected by analog input.  |
|                                     |                     | 1            | I   | TTL                                 | PORTB<4> data input; weak pull-up when $\overline{\text{RBPU}}$ bit is cleared. Disabled when analog input is enabled. <sup>(1)</sup> |
|                                     | PMA1 <sup>(3)</sup> | 1            | I   | ST/TTL                              | Parallel Slave Port Address input.  |
|                                     |                     | 0            | O   | DIG                                 | Parallel Master Port Address output.  |
|                                     | KBI0                | 1            | I   | TTL                                 | Interrupt-on-change pin.  |
|                                     | SCK1                | 1            | I   | ST                                  | SPI clock input (MSSP1 module).   |
|                                     |                     | 0            | O   | DIG                                 | SPI clock output (MSSP1 module).  |
|                                     | SCL1                | 1            | I   | I <sup>2</sup> C/<br>SMBus          | I <sup>2</sup> C™ clock input (MSSP1 module).   |
|                                     |                     | 0            | O   | I <sup>2</sup> C                    | I <sup>2</sup> C clock output (MSSP1 module).   |
|                                     | RP7                 | 1            | I   | ST                                  | Remappable Peripheral Pin 7 input.  |
| 0                                   |                     | O            | DIG | Remappable Peripheral Pin 7 output. |   |
| RB5/PMA0/<br>KBI1/SDI1/<br>SDA1/RP8 | RB5                 | 0            | O   | DIG                                 | LATB<5> data output.  |
|                                     |                     | 1            | I   | TTL                                 | PORTB<5> data input; weak pull-up when $\overline{\text{RBPU}}$ bit is cleared.   |
|                                     | KBI1                | 1            | I   | TTL                                 | Interrupt-on-change pin.  |
|                                     | PMA0 <sup>(3)</sup> | 1            | I   | ST/TTL                              | Parallel Slave Port Address input   |
|                                     |                     | 0            | O   | DIG                                 | Parallel Master Port Address output   |
|                                     | SDI1                | 1            | I   | ST                                  | SPI data input (MSSP1 module).  |
|                                     | SDA1                | 1            | I   | I <sup>2</sup> C/<br>SMBus          | I <sup>2</sup> C data input (MSSP1 module).   |
|                                     |                     | 0            | O   | I <sup>2</sup> C                    | I <sup>2</sup> C™/SMBus.  |
|                                     | RP8                 | 1            | I   | ST                                  | Remappable Peripheral Pin 8 input.  |
|                                     |                     | 0            | O   | DIG                                 | Remappable Peripheral Pin 8 output.   |
| RB6/KBI2/<br>PGC/RP9                | RB6                 | 0            | O   | DIG                                 | LATB<6> data output.  |
|                                     |                     | 1            | I   | TTL                                 | PORTB<6> data input; weak pull-up when $\overline{\text{RBPU}}$ bit is cleared.   |
|                                     | KBI2                | 1            | I   | TTL                                 | Interrupt-on-change pin.  |
|                                     | PGC                 | x            | I   | ST                                  | Serial execution (ICSP™) clock input for ICSP and ICD operation. <sup>(2)</sup>   |
|                                     | RP9                 | 1            | I   | ST                                  | Remappable Peripheral Pin 9 input.  |
|                                     |                     | 0            | O   | DIG                                 | Remappable Peripheral Pin 9 output.   |

**Legend:** DIG = Digital level output; TTL = TTL input buffer; ST = Schmitt Trigger input buffer; ANA = Analog level input/output; x = Don't care (TRIS bit does not affect port direction or is overridden for this option)

**Note 1:** Pins are configured as analog inputs by default on POR. Using these pins for digital inputs requires setting the appropriate bits in the ANCONx register first.

**2:** All other pin functions are disabled when ICSP™ or MPLAB® ICD are enabled.

**3:** This functionality is only available on 44-pin devices.

# PIC18F46J50 FAMILY

**TABLE 10-5: PORTB I/O SUMMARY (CONTINUED)**

| Pin                   | Function | TRIS Setting | I/O | I/O Type | Description   |
|-----------------------|----------|--------------|-----|----------|---|
| RB7/KBI3/<br>PGD/RP10 | RB7      | 0            | O   | DIG      | LATB<7> data output.  |
|                       |          | 1            | I   | TTL      | PORTB<7> data input; weak pull-up when $\overline{\text{RBPU}}$ bit is cleared. |
|                       | KBI3     | 1            | I   | TTL      | Interrupt-on-change pin.  |
|                       | PGD      | x            | O   | DIG      | Serial execution data output for ICSP and ICD operation. <sup>(2)</sup>         |
|                       |          | x            | I   | ST       | Serial execution data input for ICSP and ICD operation. <sup>(2)</sup>          |
|                       | RP10     | 1            | I   | ST       | Remappable Peripheral Pin 10 input.   |
|                       |          | 0            | O   | ST       | Remappable Peripheral Pin 10 output.  |

**Legend:** DIG = Digital level output; TTL = TTL input buffer; ST = Schmitt Trigger input buffer; ANA = Analog level input/output; x = Don't care (TRIS bit does not affect port direction or is overridden for this option)

**Note 1:** Pins are configured as analog inputs by default on POR. Using these pins for digital inputs requires setting the appropriate bits in the ANCONx register first.

**2:** All other pin functions are disabled when ICSP™ or MPLAB® ICD are enabled.

**3:** This functionality is only available on 44-pin devices.

**TABLE 10-6: SUMMARY OF REGISTERS ASSOCIATED WITH PORTB**

| Name    | Bit 7                    | Bit 6     | Bit 5   | Bit 4   | Bit 3   | Bit 2  | Bit 1  | Bit 0  | Reset Values on Page |
|---------|--------------------------|-----------|---------|---------|---------|--------|--------|--------|----------------------|
| PORTB   | RB7                      | RB6       | RB5     | RB4     | RB3     | RB2    | RB1    | RB0    | 92                   |
| LATB    | LATB7                    | LATB6     | LATB5   | LATB4   | LATB3   | LATB2  | LATB1  | LATB0  | 92                   |
| TRISB   | TRISB7                   | TRISB6    | TRISB5  | TRISB4  | TRISB3  | TRISB2 | TRISB1 | TRISB0 | 92                   |
| INTCON  | GIE/GIEH                 | PEIE/GIEL | TMR0IE  | INT0IE  | RBIE    | TMR0IF | INT0IF | RBIF   | 89                   |
| INTCON2 | $\overline{\text{RBPU}}$ | INTEDG0   | INTEDG1 | INTEDG2 | INTEDG3 | TMR0IP | INT3IP | RBIP   | 89                   |
| INTCON3 | INT2IP                   | INT1IP    | INT3IE  | INT2IE  | INT1IE  | INT3IF | INT2IF | INT1IF | 89                   |
| ADCON0  | PCFG7                    | PCFG6     | PCFG5   | PCFG4   | PCFG3   | PCFG2  | PCFG1  | PCFG0  | 90                   |

**Legend:** — = unimplemented, read as '0'. Shaded cells are not used by PORTB.

## 10.4 PORTC, TRISC and LATC Registers

PORTC is an 8-bit wide, bidirectional port. The corresponding Data Direction register is TRISC. Setting a TRISC bit (= 1) will make the corresponding PORTC pin an input (i.e., put the corresponding output driver in a High-Impedance mode). Clearing a TRISC bit (= 0) will make the corresponding PORTC pin an output (i.e., put the contents of the output latch on the selected pin).

The Data Latch register (LATC) is also memory mapped. Read-modify-write operations on the LATC register read and write the latched output value for PORTC.

PORTC is multiplexed with several peripheral functions (see Table 10-7). The pins have Schmitt Trigger input buffers.

When enabling peripheral functions, care should be taken in defining TRIS bits for each PORTC pin. Some peripherals override the TRIS bit to make a pin an output, while other peripherals override the TRIS bit to make a pin an input. The user should refer to the corresponding peripheral section for additional information.

Pins, RC4 and RC5, are multiplexed with the USB module. Depending on the configuration of the module, they can serve as the differential data lines for the on-chip USB transceiver, or the data inputs from an external USB transceiver. When used as general purpose inputs, both RC4 and RC5 input buffers depend on the level of the voltage applied to the V<sub>USB</sub> pin, instead of V<sub>DD</sub>, like

all other general purpose I/O pins. Therefore, if the RC4 or RC5 general purpose input capability will be used, the V<sub>USB</sub> pin should not be left floating.

Unlike other PORTC pins, RC4 and RC5 do not have TRISC bits associated with them. As digital ports, they can only function as digital inputs. When configured for USB operation, the data direction is determined by the configuration and status of the USB module at a given time. If an external transceiver is used, RC4 and RC5 always function as inputs from the transceiver. If the on-chip transceiver is used, the data direction is determined by the operation being performed by the module at that time.

**Note:** On a Power-on Reset, PORTC pins (except RC2, RC4 and RC5) are configured as digital inputs. RC2 will default as an analog input (controlled by the ANCON1 register). To use pins, RC4 and RC5, as digital inputs, the USB module must be disabled (UCON<3> = 0) and the on-chip USB transceiver must be disabled (UCFG<3> = 1). The internal USB transceiver has a POR value of enabled.

The contents of the TRISC register are affected by peripheral overrides. Reading TRISC always returns the current contents, even though a peripheral device may be overriding one or more of the pins.

### EXAMPLE 10-4: INITIALIZING PORTC

```

CLRFB    LATC                ; Initialize output data
                                ; latch values for logic
                                ; output low value.
MOVLB    0x0F                ; ANCONx registers are
                                ; not in access bank
                                ;Configure RC2/AN11 for digital input mode
BSF      ANCON1, PCFG11, BANKED
                                ;Disable USB transceiver to use RC4/RC5 as
                                ;general purpose inputs
BCF      UCON, USBEN          ;Disable USB module
BSF      UCFG, UTRDIS         ;Disable USB transceiver

MOVLW    0x3F                ; RC0 configured as digital input
MOVWF    TRISC                ; RC1 configured as digital input
                                ; RC2 configured as digital input
                                ; RC4 configured as digital input
                                ; RC5 configured as digital input
                                ; RC6 configured as digital output
                                ; RC7 configured as digital output
    
```

# PIC18F46J50 FAMILY

**TABLE 10-7: PORTC I/O SUMMARY**

| Pin                      | Function | TRIS Setting | I/O | I/O Type                             | Description  |
|--------------------------|----------|--------------|-----|--------------------------------------|--|
| RC0/T1OSO/<br>T1CKI/RP11 | RC0      | 1            | I   | ST                                   | PORTC<0> data input.   |
|                          |          | 0            | O   | DIG                                  | LATC<0> data output.   |
|                          | T1OSO    | x            | O   | ANA                                  | Timer1 oscillator output; enabled when Timer1 oscillator is enabled. Disables digital I/O. |
|                          | T1CKI    | 1            | I   | ST                                   | Timer1 digital clock input.  |
|                          | RP11     | 1            | I   | ST                                   | Remappable Peripheral Pin 11 input.  |
| 0                        |          | O            | DIG | Remappable Peripheral Pin 11 output. |  |
| RC1/T1OSI/<br>UOE/RP12   | RC1      | 1            | I   | ST                                   | PORTC<1> data input.   |
|                          |          | 0            | O   | DIG                                  | LATC<1> data output.   |
|                          | T1OSI    | x            | I   | ANA                                  | Timer1 oscillator input; enabled when Timer1 oscillator is enabled. Disables digital I/O.  |
|                          | UOE      | 0            | O   | DIG                                  | External USB transceiver NOE output.   |
|                          | RP12     | 1            | I   | ST                                   | Remappable Peripheral Pin 12 input.  |
| 0                        |          | O            | DIG | Remappable Peripheral Pin 12 output. |  |
| RC2/AN11/<br>CTPLS/RP13  | RC2      | 1            | I   | ST                                   | PORTC<2> data input.   |
|                          |          | 0            | O   | DIG                                  | PORTC<2> data output.  |
|                          | AN11     | 1            | I   | ANA                                  | A/D Input Channel 11.  |
|                          | CTPLS    | 0            | O   | DIG                                  | CTMU pulse generator output.   |
|                          | RP13     | 1            | I   | ST                                   | Remappable Peripheral Pin 13 input.  |
| 0                        |          | O            | DIG | Remappable Peripheral Pin 13 output. |  |
| RC4/D-/VM                | RC4      | x            | I   | TTL                                  | PORTC<4> data input.   |
|                          | D-       | x            | I   | XCVR                                 | USB bus minus line output.   |
|                          |          | x            | O   | XCVR                                 | USB bus minus line input.  |
| VM                       | 1        | I            | TTL | External USB transceiver VP input.   |  |
| RC5/D+/VP                | RC5      | x            | I   | TTL                                  | PORTC<5> data input.   |
|                          | D+       | x            | I   | XCVR                                 | USB bus plus line input.   |
|                          |          | x            | O   | XCVR                                 | USB bus plus line output.  |
| VP                       | 1        | I            | TTL | External USB transceiver VP input.   |  |

**Legend:** DIG = Digital level output; TTL = TTL input buffer; ST = Schmitt Trigger input buffer; ANA = Analog level input/output; I<sup>2</sup>C/SMB = I<sup>2</sup>C/SMBus input buffer; x = Don't care (TRIS bit does not affect port direction or is overridden for this option)

**Note 1:** This functionality is only available on 44-pin devices.



# PIC18F46J50 FAMILY

**TABLE 10-7: PORTC I/O SUMMARY (CONTINUED)**

| Pin                                | Function            | TRIS Setting | I/O | I/O Type                             | Description  |
|------------------------------------|---------------------|--------------|-----|--------------------------------------|--|
| RC6/PMA5/<br>TX1/CK1/RP17          | RC6                 | 1            | I   | ST                                   | PORTC<6> data input.   |
|                                    |                     | 0            | O   | DIG                                  | LATC<6> data output.   |
|                                    | PMA5 <sup>(1)</sup> | 0            | O   | DIG                                  | Parallel Master Port address.  |
|                                    | TX1                 | 0            | O   | DIG                                  | Asynchronous serial transmit data output (EUSART module); takes priority over port data. User must configure as an output. |
|                                    | CK1                 | 1            | I   | ST                                   | Synchronous serial clock input (EUSART module).  |
|                                    |                     | 0            | O   | DIG                                  | Synchronous serial clock output (EUSART module); takes priority over port data.  |
| RP17                               | 1                   | I            | ST  | Remappable Peripheral Pin 17 input.  |  |
|                                    | 0                   | O            | DIG | Remappable Peripheral Pin 17 output. |  |
| RC7/PMA4/<br>RX1/DT1/<br>SDO1/RP18 | RC7                 | 1            | I   | ST                                   | PORTC<7> data input.   |
|                                    |                     | 0            | O   | DIG                                  | LATC<7> data output.   |
|                                    | PMA4 <sup>(1)</sup> | 0            | O   | DIG                                  | Parallel Master Port address.  |
|                                    | RX1                 | 1            | I   | ST                                   | Asynchronous serial receive data input (EUSART module).  |
|                                    | DT1                 | 1            | I   | ST                                   | Synchronous serial data input (EUSART module). User must configure as an input.  |
|                                    |                     | 0            | O   | DIG                                  | Synchronous serial data output (EUSART module); takes priority over port data.   |
|                                    | SDO1                | 0            | O   | DIG                                  | SPI data output (MSSP1 module).  |
|                                    | RP18                | 1            | I   | ST                                   | Remappable Peripheral Pin 18 input.  |
| 0                                  |                     | O            | DIG | Remappable Peripheral Pin 18 output. |  |

**Legend:** DIG = Digital level output; TTL = TTL input buffer; ST = Schmitt Trigger input buffer; ANA = Analog level input/output; I<sup>2</sup>C/SMB = I<sup>2</sup>C/SMBus input buffer; x = Don't care (TRIS bit does not affect port direction or is overridden for this option)

**Note 1:** This functionality is only available on 44-pin devices.

**TABLE 10-8: SUMMARY OF REGISTERS ASSOCIATED WITH PORTC**

| Name  | Bit 7  | Bit 6  | Bit 5 | Bit 4 | Bit 3 | Bit 2  | Bit 1  | Bit 0  | Reset Values on Page: |
|-------|--------|--------|-------|-------|-------|--------|--------|--------|-----------------------|
| PORTC | RC7    | RC6    | RC5   | RC4   | —     | RC2    | RC1    | RC0    | 92                    |
| LATC  | LATC7  | LATC6  | —     | —     | —     | LATC2  | LATC1  | LATC0  | 92                    |
| TRISC | TRISC7 | TRISC6 | —     | —     | —     | TRISC2 | TRISC1 | TRISC0 | 92                    |

# PIC18F46J50 FAMILY

## 10.5 PORTD, TRISD and LATD Registers

**Note:** PORTD is available only on 44-pin devices.

PORTD is an 8-bit wide, bidirectional port. The corresponding Data Direction register is TRISD. Setting a TRISD bit (= 1) will make the corresponding PORTD pin an input (i.e., put the corresponding output driver in a High-Impedance mode). Clearing a TRISD bit (= 0) will make the corresponding PORTD pin an output (i.e., put the contents of the output latch on the selected pin).

The Data Latch register (LATD) is also memory mapped. Read-modify-write operations on the LATD register read and write the latched output value for PORTD.

All pins on PORTD are implemented with Schmitt Trigger input buffers. Each pin is individually configurable as an input or an output.

**Note:** On a POR, these pins are configured as digital inputs.

### EXAMPLE 10-5: INITIALIZING PORTD

```
CLRF    LATD        ;Initialize output data
                    ;levels for output pins
MOVLW  0x7F        ;Example value used to
                    ;initialize data direction
MOVWF  TRISD       ;RD0-RD6 as inputs
                    ;RD7 as output
```

Each of the PORTD pins has a weak internal pull-up. A single control bit can turn on all the pull-ups. This is performed by setting bit, RDPUR (PORTE<7>). The weak pull-up is automatically turned off when the port pin is configured as an output. The pull-ups are disabled on a POR. The integrated weak pull-ups consist of a semiconductor structure similar to, but somewhat different, from a discrete resistor. On an unloaded I/O pin, the weak pull-ups are intended to provide logic high indication, but will not necessarily pull the pin all the way to VDD levels.

Note that the pull-ups can be used for any set of features, similar to the pull-ups found on PORTB.

**TABLE 10-9: PORTD I/O SUMMARY**

| Pin               | Function | TRIS Setting     | I/O  | I/O Type                 | Description   |
|-------------------|----------|------------------|--|--------------------------|---|
| RD0/PMD0/<br>SCL2 | RD0      | 1                | I  | ST                       | PORTD<0> data input.  |
|                   |          | 0                | O  | DIG                      | LATD<0> data output.  |
|                   | PMD0     | 1                | I  | ST/TTL                   | Parallel Master Port data in.   |
|                   |          | 0                | O  | DIG                      | Parallel Master Port data out.  |
|                   | SCL2     | 1                | I  | I <sup>2</sup> C/<br>SMB | I <sup>2</sup> C™ clock input (MSSP2 module); input type depends on module setting. |
| 0                 | O        | I <sup>2</sup> C | I <sup>2</sup> C clock output (MSSP2 module); takes priority over port data. |                          |   |
| RD1/PMD1/<br>SDA2 | RD1      | 1                | I  | ST                       | PORTD<1> data input.  |
|                   |          | 0                | O  | DIG                      | LATD<1> data output.  |
|                   | PMD1     | 1                | I  | ST/TTL                   | Parallel Master Port data in.   |
|                   |          | 0                | O  | DIG                      | Parallel Master Port data out.  |
|                   | SDA2     | 1                | I  | I <sup>2</sup> C/<br>SMB | I <sup>2</sup> C data input (MSSP2 module); input type depends on module setting.   |
| 0                 | O        | I <sup>2</sup> C | I <sup>2</sup> C data output (MSSP2 module); takes priority over port data.  |                          |   |
| RD2/PMD2/<br>RP19 | RD2      | 1                | I  | ST                       | PORTD<2> data input.  |
|                   |          | 0                | O  | DIG                      | LATD<2> data output.  |
|                   | PMD2     | 1                | I  | ST/TTL                   | Parallel Master Port data in.   |
|                   |          | 0                | O  | DIG                      | Parallel Master Port data out.  |
|                   | RP19     | 1                | I  | ST                       | Remappable Peripheral Pin 19 input.   |
| 0                 | O        | DIG              | Remappable Peripheral Pin 19 output.   |                          |   |

**Legend:** DIG = Digital level output; TTL = TTL input buffer; ST = Schmitt Trigger input buffer; I<sup>2</sup>C/SMB = I<sup>2</sup>C/SMBus input buffer; x = Don't care (TRIS bit does not affect port direction or is overridden for this option).

# PIC18F46J50 FAMILY

**TABLE 10-9: PORTD I/O SUMMARY (CONTINUED)**

| Pin               | Function | TRIS Setting | I/O | I/O Type | Description                          |
|-------------------|----------|--------------|-----|----------|--------------------------------------|
| RD3/PMD3/<br>RP20 | RD3      | 1            | I   | DIG      | PORTD<3> data input.                 |
|                   |          | 0            | O   | DIG      | LATD<3> data output.                 |
|                   | PMD3     | 1            | I   | ST/TTL   | Parallel Master Port data in.        |
|                   |          | 0            | O   | DIG      | Parallel Master Port data out.       |
|                   | RP20     | 1            | I   | ST       | Remappable Peripheral Pin 20 input.  |
|                   |          | 0            | O   | DIG      | Remappable Peripheral Pin 20 output. |
| RD4/PMD4/<br>RP21 | RD4      | 1            | I   | ST       | PORTD<4> data input.                 |
|                   |          | 0            | O   | DIG      | LATD<4> data output.                 |
|                   | PMD4     | 1            | I   | ST/TTL   | Parallel Master Port data in.        |
|                   |          | 0            | O   | DIG      | Parallel Master Port data out.       |
|                   | RP21     | 1            | I   | ST       | Remappable Peripheral Pin 21 input.  |
|                   |          | 0            | O   | DIG      | Remappable Peripheral Pin 21 output. |
| RD5/PMD5/<br>RP22 | RD5      | 1            | I   | ST       | PORTD<5> data input.                 |
|                   |          | 0            | O   | DIG      | LATD<5> data output.                 |
|                   | PMD5     | 1            | I   | ST/TTL   | Parallel Master Port data in.        |
|                   |          | 0            | O   | DIG      | Parallel Master Port data out.       |
|                   | RP22     | 1            | I   | ST       | Remappable Peripheral Pin 22 input.  |
|                   |          | 0            | O   | DIG      | Remappable Peripheral Pin 22 output. |
| RD6/PMD6/<br>RP23 | RD6      | 1            | I   | ST       | PORTD<6> data input.                 |
|                   |          | 0            | O   | DIG      | LATD<6> data output.                 |
|                   | PMD6     | 1            | I   | ST/TTL   | Parallel Master Port data in.        |
|                   |          | 0            | O   | DIG      | Parallel Master Port data out.       |
|                   | RP23     | 1            | I   | ST       | Remappable Peripheral Pin 23 input.  |
|                   |          | 0            | O   | DIG      | Remappable Peripheral Pin 23 output. |
| RD7/PMD7/<br>RP24 | RD7      | 1            | I   | ST       | PORTD<7> data input.                 |
|                   |          | 0            | O   | DIG      | LATD<7> data output.                 |
|                   | PMD7     | 1            | I   | ST/TTL   | Parallel Master Port data in.        |
|                   |          | 0            | O   | DIG      | Parallel Master Port data out.       |
|                   | RP24     | 1            | I   | ST       | Remappable Peripheral Pin 24 input.  |
|                   |          | 0            | O   | DIG      | Remappable Peripheral Pin 24 output. |

**Legend:** DIG = Digital level output; TTL = TTL input buffer; ST = Schmitt Trigger input buffer; I<sup>2</sup>C/SMB = I<sup>2</sup>C/SMBus input buffer; x = Don't care (TRIS bit does not affect port direction or is overridden for this option).

**TABLE 10-10: SUMMARY OF REGISTERS ASSOCIATED WITH PORTD**

| Name                 | Bit 7  | Bit 6  | Bit 5  | Bit 4  | Bit 3  | Bit 2  | Bit 1  | Bit 0  | Reset Values on Page |
|----------------------|--------|--------|--------|--------|--------|--------|--------|--------|----------------------|
| PORTD <sup>(1)</sup> | RD7    | RD6    | RD5    | RD4    | RD3    | RD2    | RD1    | RD0    | 92                   |
| LATD <sup>(1)</sup>  | LATD7  | LATD6  | LATD5  | LATD4  | LATD3  | LATD2  | LATD1  | LATD0  | 92                   |
| TRISD <sup>(1)</sup> | TRISD7 | TRISD6 | TRISD5 | TRISD4 | TRISD3 | TRISD2 | TRISD1 | TRISD0 | 92                   |

**Legend:** — = unimplemented, read as '0'. Shaded cells are not used by PORTD.

**Note 1:** These registers are not available on 28-pin devices.

# PIC18F46J50 FAMILY

## 10.6 PORTE, TRISE and LATE Registers

**Note:** PORTE is available only on 44-pin devices.

Depending on the particular PIC18F46J50 family device selected, PORTE is implemented in two different ways.

For 44-pin devices, PORTE is a 3-bit wide port. Three pins (RE0/AN5/PMRD, RE1/AN6/PMWR and RE2/AN7/PMCS) are individually configurable as inputs or outputs. These pins have Schmitt Trigger input buffers. When selected as analog inputs, these pins will read as '0's.

The corresponding Data Direction register is TRISE. Setting a TRISE bit (= 1) will make the corresponding PORTE pin an input (i.e., put the corresponding output driver in a High-Impedance mode). Clearing a TRISE bit (= 0) will make the corresponding PORTE pin an output (i.e., put the contents of the output latch on the selected pin).

TRISE controls the direction of the RE pins, even when they are being used as analog inputs. The user must make sure to keep the pins configured as inputs when using them as analog inputs.

**Note:** On a POR, RE<2:0> are configured as analog inputs.

The Data Latch register (LATE) is also memory mapped. Read-modify-write operations on the LATE register read and write the latched output value for PORTE.

### EXAMPLE 10-6: INITIALIZING PORTE

```

CLRF    LATE           ;Initialize LATE output
                        ;latch values
MOVLB  0x0F           ;ANCON registers not
                        ;in access bank
BSF    ANCON0,PCFG5   ;RE0/AN5 as digital
BSF    ANCON0,PCFG6   ;RE1/AN6 as digital
MOVLW  0x03           ;Example value used to
                        ;initialize data direction
MOVWF  TRISE          ;RE0, RE1 as inputs
                        ;RE2 as output
    
```

Each of the PORTE pins has a weak internal pull-up. A single control bit can turn on all the pull-ups. This is performed by setting bit, REPU (PORTE<6>). The weak pull-up is automatically turned off when the port pin is configured as an output. The pull-ups are disabled on a POR. The integrated weak pull-ups consist of a semiconductor structure similar to, but somewhat different, from a discrete resistor. On an unloaded I/O pin, the weak pull-ups are intended to provide logic high indication, but will not necessarily pull the pin all the way to VDD levels.

Note that the pull-ups can be used for any set of features, similar to the pull-ups found on PORTB

### REGISTER 10-5: PORTE REGISTER

|       |       |     |     |     |       |       |       |
|-------|-------|-----|-----|-----|-------|-------|-------|
| R/W-0 | R/W-0 | U-0 | U-0 | U-0 | R/W-0 | R/W-0 | R/W-0 |
| RDPU  | REPU  | —   | —   | —   | RE2   | RE1   | RE0   |
| bit 7 |       |     |     |     |       |       | bit 0 |

**Legend:**  
R = Readable bit                      W = Writable bit                      U = Unimplemented bit, read as '0'  
-n = Value at POR                      '1' = Bit is set                      '0' = Bit is cleared                      x = Bit is unknown

- bit 7                      **RDPU:** PORTD Pull-up Enable bit  
1 = PORTD pull-ups are enabled by individual TRIS values  
0 = All PORTD pull-ups are disabled
- bit 6                      **REPU:** PORTE Pull-up Enable bit  
1 = PORTE pull-ups are enabled by individual TRIS values  
0 = All PORTE pull-ups are disabled
- bit 5-3                      **Unimplemented:** Read as '0'
- bit 2-0                      **RE<2:0>:** PORTE Data Input bits

# PIC18F46J50 FAMILY

**TABLE 10-11: PORTE I/O SUMMARY**

| Pin              | Function | TRIS Setting | I/O | I/O Type                           | Description   |
|------------------|----------|--------------|-----|------------------------------------|---|
| RE0/AN5/<br>PMRD | RE0      | 1            | I   | ST                                 | PORTE<0> data input; disabled when analog input is enabled. |
|                  |          | 0            | O   | DIG                                | LATE<0> data output; not affected by analog input.          |
|                  | AN5      | 1            | I   | ANA                                | A/D Input Channel 5; default input configuration on POR.    |
|                  | PMRD     | 1            | I   | ST/TTL                             | Parallel Master Port <i>io_rd_in</i> .                      |
| 0                |          | O            | DIG | Parallel Master Port read strobe.  |   |
| RE1/AN6/<br>PMWR | RE1      | 1            | I   | ST                                 | PORTE<1> data input; disabled when analog input is enabled. |
|                  |          | 0            | O   | DIG                                | LATE<1> data output; not affected by analog input.          |
|                  | AN6      | 1            | I   | ANA                                | A/D Input Channel 6; default input configuration on POR.    |
|                  | PMWR     | 1            | I   | ST/TTL                             | Parallel Master Port <i>io_wr_in</i> .                      |
| 0                |          | O            | DIG | Parallel Master Port write strobe. |   |
| RE2/AN7/<br>PMCS | RE2      | 1            | I   | ST                                 | PORTE<2> data input; disabled when analog input is enabled. |
|                  |          | 0            | O   | DIG                                | LATE<2> data output; not affected by analog input.          |
|                  | AN7      | 1            | I   | ANA                                | A/D Input Channel 7; default input configuration on POR.    |
|                  | PMCS     | 0            | O   | DIG                                | Parallel Master Port byte enable.                           |

**Legend:** DIG = Digital level output; TTL = TTL input buffer; ST = Schmitt Trigger input buffer; ANA = Analog level; I = Input; O = Output; P = Power

**TABLE 10-12: SUMMARY OF REGISTERS ASSOCIATED WITH PORTE**

| Name                 | Bit 7                | Bit 6                | Bit 5                | Bit 4 | Bit 3 | Bit 2  | Bit 1  | Bit 0  | Reset Values on Page |
|----------------------|----------------------|----------------------|----------------------|-------|-------|--------|--------|--------|----------------------|
| PORTE <sup>(1)</sup> | RDPU                 | REPU                 | —                    | —     | —     | RE2    | RE1    | RE0    | 92                   |
| LATE <sup>(1)</sup>  | —                    | —                    | —                    | —     | —     | LATE2  | LATE1  | LATE0  | 92                   |
| TRISE <sup>(1)</sup> | —                    | —                    | —                    | —     | —     | TRISE2 | TRISE1 | TRISE0 | 92                   |
| ANCON0               | PCFG7 <sup>(2)</sup> | PCFG6 <sup>(2)</sup> | PCFG5 <sup>(2)</sup> | PCFG4 | PCFG3 | PCFG2  | PCFG1  | PCFG0  | 94                   |

**Legend:** — = unimplemented, read as '0'. Shaded cells are not used by PORTE.

**Note 1:** These registers are not available on 28-pin devices.

**2:** These bits are only available on 44-pin devices.

# PIC18F46J50 FAMILY

---

## 10.7 Peripheral Pin Select (PPS)

A major challenge in general purpose devices is providing the largest possible set of peripheral features while minimizing the conflict of features on I/O pins. The challenge is even greater on low pin count devices similar to the PIC18F46J50 family. In an application that needs to use more than one peripheral multiplexed on a single pin, inconvenient work arounds in application code, or a complete redesign, may be the only option.

The Peripheral Pin Select (PPS) feature provides an alternative to these choices by enabling the user's peripheral set selections and their placement on a wide range of I/O pins. By increasing the pinout options available on a particular device, users can better tailor the microcontroller to their entire application, rather than trimming the application to fit the device.

The PPS feature operates over a fixed subset of digital I/O pins. Users may independently map the input and/or output of any one of the many digital peripherals to any one of these I/O pins. PPS is performed in software and generally does not require the device to be reprogrammed. Hardware safeguards are included that prevent accidental or spurious changes to the peripheral mapping once it has been established.

### 10.7.1 AVAILABLE PINS

The PPS feature is used with a range of up to 22 pins. The number of available pins is dependent on the particular device and its pin count. Pins that support the PPS feature include the designation "RPn" in their full pin designation, where "RP" designates a remappable peripheral and "n" is the remappable pin number. See [Table 1-2](#) for pinout options in each package offering.

### 10.7.2 AVAILABLE PERIPHERALS

The peripherals managed by the PPS are all digital only peripherals. These include general serial communications (UART and SPI), general purpose timer clock inputs, timer-related peripherals (input capture and output compare) and external interrupt inputs. Also included are the outputs of the comparator module, since these are discrete digital signals.

The PPS module is not applied to I<sup>2</sup>C, change notification inputs, RTCC alarm outputs or peripherals with analog inputs. Additionally, the MSSP1 and EUSART1 modules are not routed through the PPS module.

A key difference between pin select and non-pin select peripherals is that pin select peripherals are not associated with a default I/O pin. The peripheral must always be assigned to a specific I/O pin before it can be used. In contrast, non-pin select peripherals are always available on a default pin, assuming that the peripheral is active and not conflicting with another peripheral.

#### 10.7.2.1 Peripheral Pin Select Function Priority

When a pin-selectable peripheral is active on a given I/O pin, it takes priority over all other digital I/O and digital communication peripherals associated with the pin. Priority is given, regardless of the type of peripheral that is mapped. Pin select peripherals never take priority over any analog functions associated with the pin.

### 10.7.3 CONTROLLING PERIPHERAL PIN SELECT

PPS features are controlled through two sets of Special Function Registers (SFRs): one to map peripheral inputs and the other to map outputs. Because they are separately controlled, a particular peripheral's input and output (if the peripheral has both) can be placed on any selectable function pin without constraint.

The association of a peripheral to a peripheral-selectable pin is handled in two different ways, depending on whether an input or an output is being mapped.

# PIC18F46J50 FAMILY

## 10.7.3.1 Input Mapping

The inputs of the PPS options are mapped on the basis of the peripheral; that is, a control register associated with a peripheral dictates the pin it will be mapped to. The RPINRx registers are used to configure peripheral input mapping (see [Register 10-7](#) through [Register 10-21](#)). Each register contains a 5-bit field which is associated

with one of the pin-selectable peripherals. Programming a given peripheral's bit field with an appropriate 5-bit value maps the RPn pin with that value to that peripheral. For any given device, the valid range of values for any of the bit fields corresponds to the maximum number of peripheral pin selections supported by the device.

**TABLE 10-13: SELECTABLE INPUT SOURCES (MAPS INPUT TO FUNCTION)<sup>(1)</sup>**

| Input Name                                       | Function Name | Register | Configuration Bits |
|--|---------------|----------|--------------------|
| External Interrupt 1                             | INT1          | RPINR1   | INTR1R<4:0>        |
| External Interrupt 2                             | INT2          | RPINR2   | INTR2R<4:0>        |
| External Interrupt 3                             | INT3          | RPINR3   | INTR3R<4:0>        |
| Timer0 External Clock Input                      | T0CKI         | RPINR4   | T0CKR<4:0>         |
| Timer3 External Clock Input                      | T3CKI         | RPINR6   | T3CKR<4:0>         |
| Input Capture 1                                  | CCP1          | RPINR7   | IC1R<4:0>          |
| Input Capture 2                                  | CCP2          | RPINR8   | IC2R<4:0>          |
| Timer1 Gate Input                                | T1G           | RPINR12  | T1GR<4:0>          |
| Timer3 Gate Input                                | T3G           | RPINR13  | T3GR<4:0>          |
| EUSART2 Asynchronous Receive/Synchronous Receive | RX2/DT2       | RPINR16  | RX2DT2R<4:0>       |
| EUSART2 Asynchronous Clock Input                 | CK2           | RPINR17  | CK2R<4:0>          |
| SPI2 Data Input                                  | SDI2          | RPINR21  | SDI2R<4:0>         |
| SPI2 Clock Input                                 | SCK2IN        | RPINR22  | SCK2R<4:0>         |
| SPI2 Slave Select Input                          | SS2IN         | RPINR23  | SS2R<4:0>          |
| PWM Fault Input                                  | FLT0          | RPINR24  | OCFAR<4:0>         |

**Note 1:** Unless otherwise noted, all inputs use the Schmitt Trigger input buffers.

# PIC18F46J50 FAMILY

## 10.7.3.2 Output Mapping

In contrast to inputs, the outputs of the PPS options are mapped on the basis of the pin. In this case, a control register associated with a particular pin dictates the peripheral output to be mapped. The RPORx registers are used to control output mapping. The value of the bit field corresponds to one of the peripherals and that peripheral's output is mapped to the pin (see [Table 10-14](#)).

Because of the mapping technique, the list of peripherals for output mapping also includes a null value of '00000'. This permits any given pin to remain disconnected from the output of any of the pin-selectable peripherals.

**TABLE 10-14: SELECTABLE OUTPUT SOURCES (MAPS FUNCTION TO OUTPUT)**

| Function | Output Function Number <sup>(1)</sup> | Output Name   |
|----------|---------------------------------------|---|
| NULL     | 0                                     | NULL <sup>(2)</sup>                                     |
| C1OUT    | 1                                     | Comparator 1 Output                                     |
| C2OUT    | 2                                     | Comparator 2 Output                                     |
| TX2/CK2  | 5                                     | EUSART2 Asynchronous Transmit/Asynchronous Clock Output |
| DT2      | 6                                     | EUSART2 Synchronous Transmit                            |
| SDO2     | 9                                     | SPI2 Data Output  |
| SCK2     | 10                                    | SPI2 Clock Output                                       |
| SSDMA    | 12                                    | SPI DMA Slave Select                                    |
| ULPOUT   | 13                                    | Ultra Low-Power Wake-up Event                           |
| CCP1/P1A | 14                                    | ECCP1 Compare or PWM Output Channel A                   |
| P1B      | 15                                    | ECCP1 Enhanced PWM Output, Channel B                    |
| P1C      | 16                                    | ECCP1 Enhanced PWM Output, Channel C                    |
| P1D      | 17                                    | ECCP1 Enhanced PWM Output, Channel D                    |
| CCP2/P2A | 18                                    | ECCP2 Compare or PWM Output                             |
| P2B      | 19                                    | ECCP2 Enhanced PWM Output, Channel B                    |
| P2C      | 20                                    | ECCP2 Enhanced PWM Output, Channel C                    |
| P2D      | 21                                    | ECCP2 Enhanced PWM Output, Channel D                    |

**Note 1:** Value assigned to the RP<4:0> pins corresponds to the peripheral output function number.

**Note 2:** The NULL function is assigned to all RPn outputs at device Reset and disables the RPn output function.



### 10.7.3.3 Mapping Limitations

The control schema of the PPS is extremely flexible. Other than systematic blocks that prevent signal contention caused by two physical pins being configured as the same functional input, or two functional outputs configured as the same pin, there are no hardware enforced lock outs. The flexibility extends to the point of allowing a single input to drive multiple peripherals or a single functional output to drive multiple output pins.

### 10.7.4 CONTROLLING CONFIGURATION CHANGES

Because peripheral remapping can be changed during run time, some restrictions on peripheral remapping are needed to prevent accidental configuration changes. PIC18F devices include three features to prevent alterations to the peripheral map:

- Control register lock sequence
- Continuous state monitoring
- Configuration bit remapping lock

#### 10.7.4.1 Control Register Lock

Under normal operation, writes to the RPINRx and RPORx registers are not allowed. Attempted writes will appear to execute normally, but the contents of the registers will remain unchanged. To change these registers, they must be unlocked in hardware. The register lock is controlled by the IOLOCK bit (PPSCON<0>). Setting IOLOCK prevents writes to the control registers; clearing IOLOCK allows writes.

To set or clear IOLOCK, a specific command sequence must be executed:

1. Write 55h to EECON2<7:0>.
2. Write AAh to EECON2<7:0>.
3. Clear (or set) IOLOCK as a single operation.

IOLOCK remains in one state until changed. This allows all of the PPS registers to be configured with a single unlock sequence, followed by an update to all control registers, then locked with a second lock sequence.

#### 10.7.4.2 Continuous State Monitoring

In addition to being protected from direct writes, the contents of the RPINRx and RPORx registers are constantly monitored in hardware by shadow registers. If an unexpected change in any of the registers occurs (such as cell disturbances caused by ESD or other external events), a Configuration Mismatch Reset will be triggered.

### 10.7.4.3 Configuration Bit Pin Select Lock

As an additional level of safety, the device can be configured to prevent more than one write session to the RPINRx and RPORx registers. The IOL1WAY (CONFIG3H<0>) Configuration bit blocks the IOLOCK bit from being cleared after it has been set once. If IOLOCK remains set, the register unlock procedure will not execute and the PPS Control registers cannot be written to. The only way to clear the bit and re-enable peripheral remapping is to perform a device Reset.

In the default (unprogrammed) state, IOL1WAY is set, restricting users to one write session. Programming IOL1WAY allows users unlimited access (with the proper use of the unlock sequence) to the PPS registers.

### 10.7.5 CONSIDERATIONS FOR PERIPHERAL PIN SELECTION

The ability to control Peripheral Pin Selection introduces several considerations into application design that could be overlooked. This is particularly true for several common peripherals that are available only as remappable peripherals.

The main consideration is that the PPS is not available on default pins in the device's default (Reset) state. Since all RPINRx registers reset to '11111' and all RPORx registers reset to '00000', all PPS inputs are tied to RP31 and all PPS outputs are disconnected.

**Note:** In tying PPS inputs to RP31, RP31 does not have to exist on a device for the registers to be reset to it.

This situation requires the user to initialize the device with the proper peripheral configuration before any other application code is executed. Since the IOLOCK bit resets in the unlocked state, it is not necessary to execute the unlock sequence after the device has come out of Reset.

For application safety, however, it is best to set IOLOCK and lock the configuration after writing to the control registers.

The unlock sequence is timing-critical. Therefore, it is recommended that the unlock sequence be executed as an assembly language routine with interrupts temporarily disabled. If the bulk of the application is written in 'C' or another high-level language, the unlock sequence should be performed by writing in-line assembly.

# PIC18F46J50 FAMILY

Choosing the configuration requires the review of all PPSs and their pin assignments, especially those that will not be used in the application. In all cases, unused pin-selectable peripherals should be disabled completely. Unused peripherals should have their inputs assigned to an unused RPN pin function. I/O pins with unused RPN functions should be configured with the NULL peripheral output.

The assignment of a peripheral to a particular pin does not automatically perform any other configuration of the pin's I/O circuitry. In theory, this means adding a pin-selectable output to a pin may mean inadvertently driving an existing peripheral input when the output is driven. Users must be familiar with the behavior of other fixed peripherals that share a remappable pin and know when to enable or disable them. To be safe, fixed digital peripherals that share the same pin should be disabled when not in use.

Along these lines, configuring a remappable pin for a specific peripheral does not automatically turn that feature on. The peripheral must be specifically configured for operation and enabled, as if it were tied to a fixed pin. Where this happens in the application code (immediately following device Reset and peripheral configuration or inside the main application routine) depends on the peripheral and its use in the application.

A final consideration is that the PPS functions neither override analog inputs nor reconfigure pins with analog functions for digital I/O. If a pin is configured as an analog input on a device Reset, it must be explicitly reconfigured as a digital I/O when used with a PPS.

[Example 10-7](#) provides a configuration for bidirectional communication with flow control using EUSART2. The following input and output functions are used:

- Input Function RX2
- Output Function TX2

## EXAMPLE 10-7: CONFIGURING EUSART2 INPUT AND OUTPUT FUNCTIONS

```
*****
; Unlock Registers
*****
; PPS registers are in
; BANK 14
MOVLB 0x0E
BCF INTCON, GIE ; Disable interrupts
; for unlock sequence
MOVLW 0x55
MOVWF EECON2, 0
MOVLW 0xAA
MOVWF EECON2, 0
; Turn off PPS Write Protect
BCF PPSCON, IOLOCK, BANKED

*****
; Configure Input Functions
; (See Table 9-13)
*****
; Assign RX2 To Pin RP0
*****
MOVLW 0x00
MOVWF RPINR16, BANKED

*****
; Configure Output Functions
; (See Table 9-14)
*****
; Assign TX2 To Pin RP1
*****
MOVLW 0x05
MOVWF RPOR1, BANKED

*****
; Lock Registers
*****
MOVLW 0x55
MOVWF EECON2, 0
MOVLW 0xAA
MOVWF EECON2, 0

; Write Protect PPS (if desired)
BSF PPSCON, IOLOCK, BANKED
```

**Note:** If the Configuration bit, IOL1WAY = 1, once the IOLOCK bit is set, it cannot be cleared, preventing any future RP register changes. The IOLOCK bit is cleared back to '0' on any device Reset.

# PIC18F46J50 FAMILY

## 10.7.6 PERIPHERAL PIN SELECT REGISTERS

The PIC18F46J50 family of devices implements a total of 37 registers for remappable peripheral configuration of 44-pin devices. The 28-pin devices have 31 registers for remappable peripheral configuration.

**Note:** Input and output register values can only be changed if IOLOCK (PPSCON<0>) = 0. See [Example 10-7](#) for a specific command sequence.

### REGISTER 10-6: PPSCON: PERIPHERAL PIN SELECT INPUT REGISTER 0 (BANKED EFFh)<sup>(1)</sup>

|       |     |     |     |     |     |     |        |
|-------|-----|-----|-----|-----|-----|-----|--------|
| U-0   | U-0 | U-0 | U-0 | U-0 | U-0 | U-0 | R/W-0  |
| —     | —   | —   | —   | —   | —   | —   | IOLOCK |
| bit 7 |     |     |     |     |     |     | bit 0  |

#### Legend:

R = Readable bit

W = Writable bit

U = Unimplemented bit, read as '0'

-n = Value at POR

'1' = Bit is set

'0' = Bit is cleared

x = Bit is unknown

bit 7-1      **Unimplemented:** Read as '0'

bit 0      **IOLOCK:** I/O Lock Enable bit

1 = I/O lock is active, RPORx and RPINRx registers are write-protected

0 = I/O lock is not active, pin configurations can be changed

**Note 1:** Register values can only be changed if IOLOCK (PPSCON<0>) = 0.

# PIC18F46J50 FAMILY

## REGISTER 10-7: RPINR1: PERIPHERAL PIN SELECT INPUT REGISTER 1 (BANKED EE7h)

| U-0   | U-0 | U-0 | R/W-1   | R/W-1   | R/W-1   | R/W-1   | R/W-1   |
|-------|-----|-----|---------|---------|---------|---------|---------|
| —     | —   | —   | INTR1R4 | INTR1R3 | INTR1R2 | INTR1R1 | INTR1R0 |
| bit 7 |     |     |         |         |         |         | bit 0   |

**Legend:** R/W = Readable, Writable bit if IOLOCK = 0  
 R = Readable bit      W = Writable bit      U = Unimplemented bit, read as '0'  
 -n = Value at POR      '1' = Bit is set      '0' = Bit is cleared      x = Bit is unknown

bit 7-5      **Unimplemented:** Read as '0'

bit 4-0      **INTR1R<4:0>:** Assign External Interrupt 1 (INT1) to the Corresponding RPn Pin bits

## REGISTER 10-8: RPINR2: PERIPHERAL PIN SELECT INPUT REGISTER 2 (BANKED EE8h)

| U-0   | U-0 | U-0 | R/W-1   | R/W-1   | R/W-1   | R/W-1   | R/W-1   |
|-------|-----|-----|---------|---------|---------|---------|---------|
| —     | —   | —   | INTR2R4 | INTR2R3 | INTR2R2 | INTR2R1 | INTR2R0 |
| bit 7 |     |     |         |         |         |         | bit 0   |

**Legend:** R/W = Readable, Writable bit if IOLOCK = 0  
 R = Readable bit      W = Writable bit      U = Unimplemented bit, read as '0'  
 -n = Value at POR      '1' = Bit is set      '0' = Bit is cleared      x = Bit is unknown

bit 7-5      **Unimplemented:** Read as '0'

bit 4-0      **INTR2R<4:0>:** Assign External Interrupt 2 (INT2) to the Corresponding RPn Pin bits

## REGISTER 10-9: RPINR3: PERIPHERAL PIN SELECT INPUT REGISTER 3 (BANKED EE9h)

| U-0   | U-0 | U-0 | R/W-1   | R/W-1   | R/W-1   | R/W-1   | R/W-1   |
|-------|-----|-----|---------|---------|---------|---------|---------|
| —     | —   | —   | INTR3R4 | INTR3R3 | INTR3R2 | INTR3R1 | INTR3R0 |
| bit 7 |     |     |         |         |         |         | bit 0   |

**Legend:** R/W = Readable, Writable bit if IOLOCK = 0  
 R = Readable bit      W = Writable bit      U = Unimplemented bit, read as '0'  
 -n = Value at POR      '1' = Bit is set      '0' = Bit is cleared      x = Bit is unknown

bit 7-5      **Unimplemented:** Read as '0'

bit 4-0      **INTR3R<4:0>:** Assign External Interrupt 3 (INT3) to the Corresponding RPn Pin bits

# PIC18F46J50 FAMILY

## REGISTER 10-10: RPINR4: PERIPHERAL PIN SELECT INPUT REGISTER 4 (BANKED EEAh)

| U-0   | U-0 | U-0 | R/W-1  | R/W-1  | R/W-1  | R/W-1  | R/W-1  |  |
|-------|-----|-----|--------|--------|--------|--------|--------|--|
| —     | —   | —   | T0CKR4 | T0CKR3 | T0CKR2 | T0CKR1 | T0CKR0 |  |
| bit 7 |     |     |        |        |        |        | bit 0  |  |

**Legend:** R/W = Readable, Writable bit if IOLOCK = 0  
 R = Readable bit      W = Writable bit      U = Unimplemented bit, read as '0'  
 -n = Value at POR      '1' = Bit is set      '0' = Bit is cleared      x = Bit is unknown

bit 7-5      **Unimplemented:** Read as '0'

bit 4-0      **T0CKR<4:0>:** Timer0 External Clock Input (T0CKI) to the Corresponding RPN Pin bits

## REGISTER 10-11: RPINR6: PERIPHERAL PIN SELECT INPUT REGISTER 6 (BANKED EECh)

| U-0   | U-0 | U-0 | R/W-1  | R/W-1  | R/W-1  | R/W-1  | R/W-1  |  |
|-------|-----|-----|--------|--------|--------|--------|--------|--|
| —     | —   | —   | T3CKR4 | T3CKR3 | T3CKR2 | T3CKR1 | T3CKR0 |  |
| bit 7 |     |     |        |        |        |        | bit 0  |  |

**Legend:** R/W = Readable, Writable bit if IOLOCK = 0  
 R = Readable bit      W = Writable bit      U = Unimplemented bit, read as '0'  
 -n = Value at POR      '1' = Bit is set      '0' = Bit is cleared      x = Bit is unknown

bit 7-5      **Unimplemented:** Read as '0'

bit 4-0      **T3CKR<4:0>:** Timer 3 External Clock Input (T3CKI) to the Corresponding RPN Pin bits

## REGISTER 10-12: RPINR7: PERIPHERAL PIN SELECT INPUT REGISTER 7 (BANKED EEDh)

| U-0   | U-0 | U-0 | R/W-1 | R/W-1 | R/W-1 | R/W-1 | R/W-1 |  |
|-------|-----|-----|-------|-------|-------|-------|-------|--|
| —     | —   | —   | IC1R4 | IC1R3 | IC1R2 | IC1R1 | IC1R0 |  |
| bit 7 |     |     |       |       |       |       | bit 0 |  |

**Legend:** R/W = Readable, Writable bit if IOLOCK = 0  
 R = Readable bit      W = Writable bit      U = Unimplemented bit, read as '0'  
 -n = Value at POR      '1' = Bit is set      '0' = Bit is cleared      x = Bit is unknown

bit 7-5      **Unimplemented:** Read as '0'

bit 4-0      **IC1R<4:0>:** Assign Input Capture 1 (ECCP1) to the Corresponding RPN Pin bits

# PIC18F46J50 FAMILY

## REGISTER 10-13: RPINR8: PERIPHERAL PIN SELECT INPUT REGISTER 8 (BANKED EEEh)

| U-0   | U-0 | U-0 | R/W-1 | R/W-1 | R/W-1 | R/W-1 | R/W-1 |
|-------|-----|-----|-------|-------|-------|-------|-------|
| —     | —   | —   | IC2R4 | IC2R3 | IC2R2 | IC2R1 | IC2R0 |
| bit 7 |     |     |       |       |       |       | bit 0 |

|                   |  |                                    |                    |
|-------------------|--|------------------------------------|--------------------|
| <b>Legend:</b>    | R/W = Readable, Writable bit if IOLOCK = 0 |                                    |                    |
| R = Readable bit  | W = Writable bit                           | U = Unimplemented bit, read as '0' |                    |
| -n = Value at POR | '1' = Bit is set                           | '0' = Bit is cleared               | x = Bit is unknown |

bit 7-5      **Unimplemented:** Read as '0'

bit 4-0      **IC2R<4:0>:** Assign Input Capture 2 (ECCP2) to the Corresponding RPn Pin bits

## REGISTER 10-14: RPINR12: PERIPHERAL PIN SELECT INPUT REGISTER 12 (BANKED EF2h)

| U-0   | U-0 | U-0 | R/W-1 | R/W-1 | R/W-1 | R/W-1 | R/W-1 |
|-------|-----|-----|-------|-------|-------|-------|-------|
| —     | —   | —   | T1GR4 | T1GR3 | T1GR2 | T1GR1 | T1GR0 |
| bit 7 |     |     |       |       |       |       | bit 0 |

|                   |  |                                    |                    |
|-------------------|--|------------------------------------|--------------------|
| <b>Legend:</b>    | R/W = Readable, Writable bit if IOLOCK = 0 |                                    |                    |
| R = Readable bit  | W = Writable bit                           | U = Unimplemented bit, read as '0' |                    |
| -n = Value at POR | '1' = Bit is set                           | '0' = Bit is cleared               | x = Bit is unknown |

bit 7-5      **Unimplemented:** Read as '0'

bit 4-0      **T1GR<4:0>:** Timer1 Gate Input (T1G) to the Corresponding RPn Pin bits

## REGISTER 10-15: RPINR13: PERIPHERAL PIN SELECT INPUT REGISTER 13 (BANKED EF3h)

| U-0   | U-0 | U-0 | R/W-1 | R/W-1 | R/W-1 | R/W-1 | R/W-1 |
|-------|-----|-----|-------|-------|-------|-------|-------|
| —     | —   | —   | T3GR4 | T3GR3 | T3GR2 | T3GR1 | T3GR0 |
| bit 7 |     |     |       |       |       |       | bit 0 |

|                   |  |                                    |                    |
|-------------------|--|------------------------------------|--------------------|
| <b>Legend:</b>    | R/W = Readable, Writable bit if IOLOCK = 0 |                                    |                    |
| R = Readable bit  | W = Writable bit                           | U = Unimplemented bit, read as '0' |                    |
| -n = Value at POR | '1' = Bit is set                           | '0' = Bit is cleared               | x = Bit is unknown |

bit 7-5      **Unimplemented:** Read as '0'

bit 4-0      **T3GR<4:0>:** Timer3 Gate Input (T3G) to the Corresponding RPn Pin bits

# PIC18F46J50 FAMILY

## REGISTER 10-16: RPINR16: PERIPHERAL PIN SELECT INPUT REGISTER 16 (BANKED EF6h)

| U-0   | U-0 | U-0 | R/W-1    | R/W-1    | R/W-1    | R/W-1    | R/W-1    |
|-------|-----|-----|----------|----------|----------|----------|----------|
| —     | —   | —   | RX2DT2R4 | RX2DT2R3 | RX2DT2R2 | RX2DT2R1 | RX2DT2R0 |
| bit 7 |     |     |          |          |          |          | bit 0    |

|                   |  |
|-------------------|--|
| <b>Legend:</b>    | R/W = Readable, Writable bit if IOLOCK = 0 |
| R = Readable bit  | W = Writable bit                           |
| -n = Value at POR | '1' = Bit is set                           |
|                   | '0' = Bit is cleared                       |
|                   | x = Bit is unknown                         |

bit 7-5 **Unimplemented:** Read as '0'

bit 4-0 **RX2DT2R<4:0>:** EUSART2 Synchronous/Asynchronous Receive (RX2/DT2) to the Corresponding RPn Pin bits

## REGISTER 10-17: RPINR17: PERIPHERAL PIN SELECT INPUT REGISTER 17 (BANKED EF7h)

| U-0   | U-0 | U-0 | R/W-1 | R/W-1 | R/W-1 | R/W-1 | R/W-1 |
|-------|-----|-----|-------|-------|-------|-------|-------|
| —     | —   | —   | CK2R4 | CK2R3 | CK2R2 | CK2R1 | CK2R0 |
| bit 7 |     |     |       |       |       |       | bit 0 |

|                   |  |
|-------------------|--|
| <b>Legend:</b>    | R/W = Readable, Writable bit if IOLOCK = 0 |
| R = Readable bit  | W = Writable bit                           |
| -n = Value at POR | '1' = Bit is set                           |
|                   | '0' = Bit is cleared                       |
|                   | x = Bit is unknown                         |

bit 7-5 **Unimplemented:** Read as '0'

bit 4-0 **CK2R<4:0>:** EUSART2 Clock Input (CK2) to the Corresponding RPn Pin bits

## REGISTER 10-18: RPINR21: PERIPHERAL PIN SELECT INPUT REGISTER 21 (BANKED EFBh)

| U-0   | U-0 | U-0 | R/W-1  | R/W-1  | R/W-1  | R/W-1  | R/W-1  |
|-------|-----|-----|--------|--------|--------|--------|--------|
| —     | —   | —   | SDI2R4 | SDI2R3 | SDI2R2 | SDI2R1 | SDI2R0 |
| bit 7 |     |     |        |        |        |        | bit 0  |

|                   |  |
|-------------------|--|
| <b>Legend:</b>    | R/W = Readable, Writable bit if IOLOCK = 0 |
| R = Readable bit  | W = Writable bit                           |
| -n = Value at POR | '1' = Bit is set                           |
|                   | '0' = Bit is cleared                       |
|                   | x = Bit is unknown                         |

bit 7-5 **Unimplemented:** Read as '0'

bit 4-0 **SDI2R<4:0>:** Assign SPI2 Data Input (SDI2) to the Corresponding RPn Pin bits

# PIC18F46J50 FAMILY

## REGISTER 10-19: RPINR22: PERIPHERAL PIN SELECT INPUT REGISTER 22 (BANKED EFCh)

| U-0   | U-0 | U-0 | R/W-1  | R/W-1  | R/W-1  | R/W-1  | R/W-1  |
|-------|-----|-----|--------|--------|--------|--------|--------|
| —     | —   | —   | SCK2R4 | SCK2R3 | SCK2R2 | SCK2R1 | SCK2R0 |
| bit 7 |     |     |        |        |        |        | bit 0  |

**Legend:** R/W = Readable, Writable bit if IOLOCK = 0  
R = Readable bit      W = Writable bit      U = Unimplemented bit, read as '0'  
-n = Value at POR      '1' = Bit is set      '0' = Bit is cleared      x = Bit is unknown

bit 7-5      **Unimplemented:** Read as '0'

bit 4-0      **SCK2R<4:0>:** Assign SPI2 Clock Input (SCK2) to the Corresponding RPn Pin bits

## REGISTER 10-20: RPINR23: PERIPHERAL PIN SELECT INPUT REGISTER 23 (BANKED EFDh)

| U-0   | U-0 | U-0 | R/W-1 | R/W-1 | R/W-1 | R/W-1 | R/W-1 |
|-------|-----|-----|-------|-------|-------|-------|-------|
| —     | —   | —   | SS2R4 | SS2R3 | SS2R2 | SS2R1 | SS2R0 |
| bit 7 |     |     |       |       |       |       | bit 0 |

**Legend:** R/W = Readable, Writable bit if IOLOCK = 0  
R = Readable bit      W = Writable bit      U = Unimplemented bit, read as '0'  
-n = Value at POR      '1' = Bit is set      '0' = Bit is cleared      x = Bit is unknown

bit 7-5      **Unimplemented:** Read as '0'

bit 4-0      **SS2R<4:0>:** Assign SPI2 Slave Select Input (SS2IN) to the Corresponding RPn Pin bits

## REGISTER 10-21: RPINR24: PERIPHERAL PIN SELECT INPUT REGISTER 24 (BANKED EFEh)

| U-0   | U-0 | U-0 | R/W-1  | R/W-1  | R/W-1  | R/W-1  | R/W-1  |
|-------|-----|-----|--------|--------|--------|--------|--------|
| —     | —   | —   | OCFAR4 | OCFAR3 | OCFAR2 | OCFAR1 | OCFAR0 |
| bit 7 |     |     |        |        |        |        | bit 0  |

**Legend:** R/W = Readable, Writable bit if IOLOCK = 0  
R = Readable bit      W = Writable bit      U = Unimplemented bit, read as '0'  
-n = Value at POR      '1' = Bit is set      '0' = Bit is cleared      x = Bit is unknown

bit 7-5      **Unimplemented:** Read as '0'

bit 4-0      **OCFAR<4:0>:** Assign PWM Fault Input (FLT0) to the Corresponding RPn Pin bits



# PIC18F46J50 FAMILY

## REGISTER 10-22: RPOR0: PERIPHERAL PIN SELECT OUTPUT REGISTER 0 (BANKED EC6h)

|       |     |     |       |       |       |       |       |       |
|-------|-----|-----|-------|-------|-------|-------|-------|-------|
| U-0   | U-0 | U-0 | R/W-0 | R/W-0 | R/W-0 | R/W-0 | R/W-0 |       |
| —     | —   | —   | RP0R4 | RP0R3 | RP0R2 | RP0R1 | RP0R0 |       |
| bit 7 |     |     |       |       |       |       |       | bit 0 |

|                   |  |
|-------------------|--|
| <b>Legend:</b>    | R/W = Readable, Writable bit if IOLOCK = 0 |
| R = Readable bit  | W = Writable bit                           |
| -n = Value at POR | '1' = Bit is set                           |
|                   | '0' = Bit is cleared                       |
|                   | x = Bit is unknown                         |

bit 7-5 **Unimplemented:** Read as '0'

bit 4-0 **RP0R<4:0>:** Peripheral Output Function is Assigned to RP0 Output Pin bits (see [Table 10-14](#) for peripheral function numbers)

## REGISTER 10-23: RPOR1: PERIPHERAL PIN SELECT OUTPUT REGISTER 1 (BANKED EC7h)

|       |     |     |       |       |       |       |       |       |
|-------|-----|-----|-------|-------|-------|-------|-------|-------|
| U-0   | U-0 | U-0 | R/W-0 | R/W-0 | R/W-0 | R/W-0 | R/W-0 |       |
| —     | —   | —   | RP1R4 | RP1R3 | RP1R2 | RP1R1 | RP1R0 |       |
| bit 7 |     |     |       |       |       |       |       | bit 0 |

|                   |  |
|-------------------|--|
| <b>Legend:</b>    | R/W = Readable, Writable bit if IOLOCK = 0 |
| R = Readable bit  | W = Writable bit                           |
| -n = Value at POR | '1' = Bit is set                           |
|                   | '0' = Bit is cleared                       |
|                   | x = Bit is unknown                         |

bit 7-5 **Unimplemented:** Read as '0'

bit 4-0 **RP1R<4:0>:** Peripheral Output Function is Assigned to RP1 Output Pin bits (see [Table 10-14](#) for peripheral function numbers)

## REGISTER 10-24: RPOR2: PERIPHERAL PIN SELECT OUTPUT REGISTER 2 (BANKED EC8h)

|       |     |     |       |       |       |       |       |       |
|-------|-----|-----|-------|-------|-------|-------|-------|-------|
| U-0   | U-0 | U-0 | R/W-0 | R/W-0 | R/W-0 | R/W-0 | R/W-0 |       |
| —     | —   | —   | RP2R4 | RP2R3 | RP2R2 | RP2R1 | RP2R0 |       |
| bit 7 |     |     |       |       |       |       |       | bit 0 |

|                   |  |
|-------------------|--|
| <b>Legend:</b>    | R/W = Readable, Writable bit if IOLOCK = 0 |
| R = Readable bit  | W = Writable bit                           |
| -n = Value at POR | '1' = Bit is set                           |
|                   | '0' = Bit is cleared                       |
|                   | x = Bit is unknown                         |

bit 7-5 **Unimplemented:** Read as '0'

bit 4-0 **RP2R<4:0>:** Peripheral Output Function is Assigned to RP2 Output Pin bits (see [Table 10-14](#) for peripheral function numbers)

# PIC18F46J50 FAMILY

## REGISTER 10-25: RPOR3: PERIPHERAL PIN SELECT OUTPUT REGISTER 3 (BANKED EC9h)

|       |     |     |       |       |       |       |       |
|-------|-----|-----|-------|-------|-------|-------|-------|
| U-0   | U-0 | U-0 | R/W-0 | R/W-0 | R/W-0 | R/W-0 | R/W-0 |
| —     | —   | —   | RP3R4 | RP3R3 | RP3R2 | RP3R1 | RP3R0 |
| bit 7 |     |     |       |       |       |       | bit 0 |

|                   |  |
|-------------------|--|
| <b>Legend:</b>    | R/W = Readable, Writable bit if IOLOCK = 0                         |
| R = Readable bit  | W = Writable bit      U = Unimplemented bit, read as '0'           |
| -n = Value at POR | '1' = Bit is set      '0' = Bit is cleared      x = Bit is unknown |

bit 7-5      **Unimplemented:** Read as '0'

bit 4-0      **RP3R<4:0>:** Peripheral Output Function is Assigned to RP3 Output Pin bits  
(see [Table 10-14](#) for peripheral function numbers)

## REGISTER 10-26: RPOR4: PERIPHERAL PIN SELECT OUTPUT REGISTER 4 (BANKED ECAh)

|       |     |     |       |       |       |       |       |
|-------|-----|-----|-------|-------|-------|-------|-------|
| U-0   | U-0 | U-0 | R/W-0 | R/W-0 | R/W-0 | R/W-0 | R/W-0 |
| —     | —   | —   | RP4R4 | RP4R3 | RP4R2 | RP4R1 | RP4R0 |
| bit 7 |     |     |       |       |       |       | bit 0 |

|                   |  |
|-------------------|--|
| <b>Legend:</b>    | R/W = Readable, Writable bit if IOLOCK = 0                         |
| R = Readable bit  | W = Writable bit      U = Unimplemented bit, read as '0'           |
| -n = Value at POR | '1' = Bit is set      '0' = Bit is cleared      x = Bit is unknown |

bit 7-5      **Unimplemented:** Read as '0'

bit 4-0      **RP4R<4:0>:** Peripheral Output Function is Assigned to RP4 Output Pin bits  
(see [Table 10-14](#) for peripheral function numbers)

## REGISTER 10-27: RPOR5: PERIPHERAL PIN SELECT OUTPUT REGISTER 5 (BANKED ECBh)

|       |     |     |       |       |       |       |       |
|-------|-----|-----|-------|-------|-------|-------|-------|
| U-0   | U-0 | U-0 | R/W-0 | R/W-0 | R/W-0 | R/W-0 | R/W-0 |
| —     | —   | —   | RP5R4 | RP5R3 | RP5R2 | RP5R1 | RP5R0 |
| bit 7 |     |     |       |       |       |       | bit 0 |

|                   |  |
|-------------------|--|
| <b>Legend:</b>    | R/W = Readable, Writable bit if IOLOCK = 0                         |
| R = Readable bit  | W = Writable bit      U = Unimplemented bit, read as '0'           |
| -n = Value at POR | '1' = Bit is set      '0' = Bit is cleared      x = Bit is unknown |

bit 7-5      **Unimplemented:** Read as '0'

bit 4-0      **RP5R<4:0>:** Peripheral Output Function is Assigned to RP5 Output Pin bits  
(see [Table 10-14](#) for peripheral function numbers)

# PIC18F46J50 FAMILY

## REGISTER 10-28: RPOR6: PERIPHERAL PIN SELECT OUTPUT REGISTER 6 (BANKED ECCh)

| U-0   | U-0 | U-0 | R/W-0 | R/W-0 | R/W-0 | R/W-0 | R/W-0 |
|-------|-----|-----|-------|-------|-------|-------|-------|
| —     | —   | —   | RP6R4 | RP6R3 | RP6R2 | RP6R1 | RP6R0 |
| bit 7 |     |     |       |       |       |       | bit 0 |

**Legend:** R/W = Readable, Writable bit if IOLOCK = 0  
 R = Readable bit      W = Writable bit      U = Unimplemented bit, read as '0'  
 -n = Value at POR      '1' = Bit is set      '0' = Bit is cleared      x = Bit is unknown

bit 7-5      **Unimplemented:** Read as '0'

bit 4-0      **RP6R<4:0>:** Peripheral Output Function is Assigned to RP6 Output Pin bits  
 (see [Table 10-14](#) for peripheral function numbers)

## REGISTER 10-29: RPOR7: PERIPHERAL PIN SELECT OUTPUT REGISTER 7 (BANKED ECDh)

| U-0   | U-0 | U-0 | R/W-0 | R/W-0 | R/W-0 | R/W-0 | R/W-0 |
|-------|-----|-----|-------|-------|-------|-------|-------|
| —     | —   | —   | RP7R4 | RP7R3 | RP7R2 | RP7R1 | RP7R0 |
| bit 7 |     |     |       |       |       |       | bit 0 |

**Legend:** R/W = Readable, Writable bit if IOLOCK = 0  
 R = Readable bit      W = Writable bit      U = Unimplemented bit, read as '0'  
 -n = Value at POR      '1' = Bit is set      '0' = Bit is cleared      x = Bit is unknown

bit 7-5      **Unimplemented:** Read as '0'

bit 4-0      **RP7R<4:0>:** Peripheral Output Function is Assigned to RP7 Output Pin bits  
 (see [Table 10-14](#) for peripheral function numbers)

## REGISTER 10-30: RPOR8: PERIPHERAL PIN SELECT OUTPUT REGISTER 8 (BANKED ECEh)

| U-0   | U-0 | U-0 | R/W-0 | R/W-0 | R/W-0 | R/W-0 | R/W-0 |
|-------|-----|-----|-------|-------|-------|-------|-------|
| —     | —   | —   | RP8R4 | RP8R3 | RP8R2 | RP8R1 | RP8R0 |
| bit 7 |     |     |       |       |       |       | bit 0 |

**Legend:** R/W = Readable, Writable bit if IOLOCK = 0  
 R = Readable bit      W = Writable bit      U = Unimplemented bit, read as '0'  
 -n = Value at POR      '1' = Bit is set      '0' = Bit is cleared      x = Bit is unknown

bit 7-5      **Unimplemented:** Read as '0'

bit 4-0      **RP8R<4:0>:** Peripheral Output Function is Assigned to RP8 Output Pin bits  
 (see [Table 10-14](#) for peripheral function numbers)

# PIC18F46J50 FAMILY

## REGISTER 10-31: RPOR9: PERIPHERAL PIN SELECT OUTPUT REGISTER 9 (BANKED ECFh)

| U-0   | U-0 | U-0 | R/W-0 | R/W-0 | R/W-0 | R/W-0 | R/W-0 |
|-------|-----|-----|-------|-------|-------|-------|-------|
| —     | —   | —   | RP9R4 | RP9R3 | RP9R2 | RP9R1 | RP9R0 |
| bit 7 |     |     |       |       |       |       | bit 0 |

|                   |  |
|-------------------|--|
| <b>Legend:</b>    | R/W = Readable, Writable bit if IOLOCK = 0                         |
| R = Readable bit  | W = Writable bit      U = Unimplemented bit, read as '0'           |
| -n = Value at POR | '1' = Bit is set      '0' = Bit is cleared      x = Bit is unknown |

bit 7-5      **Unimplemented:** Read as '0'

bit 4-0      **RP9R<4:0>:** Peripheral Output Function is Assigned to RP9 Output Pin bits  
(see [Table 10-14](#) for peripheral function numbers)

## REGISTER 10-32: RPOR10: PERIPHERAL PIN SELECT OUTPUT REGISTER 10 (BANKED ED0h)

| U-0   | U-0 | U-0 | R/W-0  | R/W-0  | R/W-0  | R/W-0  | R/W-0  |
|-------|-----|-----|--------|--------|--------|--------|--------|
| —     | —   | —   | RP10R4 | RP10R3 | RP10R2 | RP10R1 | RP10R0 |
| bit 7 |     |     |        |        |        |        | bit 0  |

|                   |  |
|-------------------|--|
| <b>Legend:</b>    | R/W = Readable, Writable bit if IOLOCK = 0                         |
| R = Readable bit  | W = Writable bit      U = Unimplemented bit, read as '0'           |
| -n = Value at POR | '1' = Bit is set      '0' = Bit is cleared      x = Bit is unknown |

bit 7-5      **Unimplemented:** Read as '0'

bit 4-0      **RP10R<4:0>:** Peripheral Output Function is Assigned to RP10 Output Pin bits  
(see [Table 10-14](#) for peripheral function numbers)

## REGISTER 10-33: RPOR11: PERIPHERAL PIN SELECT OUTPUT REGISTER 11 (BANKED ED1h)

| U-0   | U-0 | U-0 | R/W-0  | R/W-0  | R/W-0  | R/W-0  | R/W-0  |
|-------|-----|-----|--------|--------|--------|--------|--------|
| —     | —   | —   | RP11R4 | RP11R3 | RP11R2 | RP11R1 | RP11R0 |
| bit 7 |     |     |        |        |        |        | bit 0  |

|                   |  |
|-------------------|--|
| <b>Legend:</b>    | R/W = Readable, Writable bit if IOLOCK = 0                         |
| R = Readable bit  | W = Writable bit      U = Unimplemented bit, read as '0'           |
| -n = Value at POR | '1' = Bit is set      '0' = Bit is cleared      x = Bit is unknown |

bit 7-5      **Unimplemented:** Read as '0'

bit 4-0      **RP11R<4:0>:** Peripheral Output Function is Assigned to RP11 Output Pin bits  
(see [Table 10-14](#) for peripheral function numbers)

# PIC18F46J50 FAMILY

## REGISTER 10-34: RPOR12: PERIPHERAL PIN SELECT OUTPUT REGISTER 12 (BANKED ED2h)

| U-0   | U-0 | U-0 | R/W-0  | R/W-0  | R/W-0  | R/W-0  | R/W-0  |
|-------|-----|-----|--------|--------|--------|--------|--------|
| —     | —   | —   | RP12R4 | RP12R3 | RP12R2 | RP12R1 | RP12R0 |
| bit 7 |     |     |        |        |        |        | bit 0  |

|                   |  |
|-------------------|--|
| <b>Legend:</b>    | R/W = Readable, Writable bit if IOLOCK = 0                         |
| R = Readable bit  | W = Writable bit      U = Unimplemented bit, read as '0'           |
| -n = Value at POR | '1' = Bit is set      '0' = Bit is cleared      x = Bit is unknown |

bit 7-5      **Unimplemented:** Read as '0'

bit 4-0      **RP12R<4:0>:** Peripheral Output Function is Assigned to RP12 Output Pin bits  
(see [Table 10-14](#) for peripheral function numbers)

## REGISTER 10-35: RPOR13: PERIPHERAL PIN SELECT OUTPUT REGISTER 13 (BANKED ED3h)

| U-0   | U-0 | U-0 | R/W-0  | R/W-0  | R/W-0  | R/W-0  | R/W-0  |
|-------|-----|-----|--------|--------|--------|--------|--------|
| —     | —   | —   | RP13R4 | RP13R3 | RP13R2 | RP13R1 | RP13R0 |
| bit 7 |     |     |        |        |        |        | bit 0  |

|                   |  |
|-------------------|--|
| <b>Legend:</b>    | R/W = Readable, Writable bit if IOLOCK = 0                         |
| R = Readable bit  | W = Writable bit      U = Unimplemented bit, read as '0'           |
| -n = Value at POR | '1' = Bit is set      '0' = Bit is cleared      x = Bit is unknown |

bit 7-5      **Unimplemented:** Read as '0'

bit 4-0      **RP13R<4:0>:** Peripheral Output Function is Assigned to RP13 Output Pin bits  
(see [Table 10-14](#) for peripheral function numbers)

## REGISTER 10-36: RPOR17: PERIPHERAL PIN SELECT OUTPUT REGISTER 17 (BANKED ED7h)

| U-0   | U-0 | U-0 | R/W-0  | R/W-0  | R/W-0  | R/W-0  | R/W-0  |
|-------|-----|-----|--------|--------|--------|--------|--------|
| —     | —   | —   | RP17R4 | RP17R3 | RP17R2 | RP17R1 | RP17R0 |
| bit 7 |     |     |        |        |        |        | bit 0  |

|                   |  |
|-------------------|--|
| <b>Legend:</b>    | R/W = Readable, Writable bit if IOLOCK = 0                         |
| R = Readable bit  | W = Writable bit      U = Unimplemented bit, read as '0'           |
| -n = Value at POR | '1' = Bit is set      '0' = Bit is cleared      x = Bit is unknown |

bit 7-5      **Unimplemented:** Read as '0'

bit 4-0      **RP17R<4:0>:** Peripheral Output Function is Assigned to RP17 Output Pin bits  
(see [Table 10-14](#) for peripheral function numbers)

# PIC18F46J50 FAMILY

## REGISTER 10-37: RPOR18: PERIPHERAL PIN SELECT OUTPUT REGISTER 18 (BANKED ED8h)

| U-0   | U-0 | U-0 | R/W-0  | R/W-0  | R/W-0  | R/W-0  | R/W-0  |
|-------|-----|-----|--------|--------|--------|--------|--------|
| —     | —   | —   | RP18R4 | RP18R3 | RP18R2 | RP18R1 | RP18R0 |
| bit 7 |     |     |        |        |        |        | bit 0  |

|                   |  |
|-------------------|--|
| <b>Legend:</b>    | R/W = Readable, Writable bit if IOLOCK = 0                         |
| R = Readable bit  | W = Writable bit      U = Unimplemented bit, read as '0'           |
| -n = Value at POR | '1' = Bit is set      '0' = Bit is cleared      x = Bit is unknown |

bit 7-5      **Unimplemented:** Read as '0'

bit 4-0      **RP18R<4:0>:** Peripheral Output Function is Assigned to RP18 Output Pin bits  
(see [Table 10-14](#) for peripheral function numbers)

## REGISTER 10-38: RPOR19: PERIPHERAL PIN SELECT OUTPUT REGISTER 19 (BANKED ED9h)<sup>(1)</sup>

| U-0   | U-0 | U-0 | R/W-0  | R/W-0  | R/W-0  | R/W-0  | R/W-0  |
|-------|-----|-----|--------|--------|--------|--------|--------|
| —     | —   | —   | RP19R4 | RP19R3 | RP19R2 | RP19R1 | RP19R0 |
| bit 7 |     |     |        |        |        |        | bit 0  |

|                   |  |
|-------------------|--|
| <b>Legend:</b>    | R/W = Readable, Writable bit if IOLOCK = 0                         |
| R = Readable bit  | W = Writable bit      U = Unimplemented bit, read as '0'           |
| -n = Value at POR | '1' = Bit is set      '0' = Bit is cleared      x = Bit is unknown |

bit 7-5      **Unimplemented:** Read as '0'

bit 4-0      **RP19R<4:0>:** Peripheral Output Function is Assigned to RP19 Output Pin bits  
(see [Table 10-14](#) for peripheral function numbers)

**Note 1:** RP19 pins are not available on 28-pin devices.

## REGISTER 10-39: RPOR20: PERIPHERAL PIN SELECT OUTPUT REGISTER 20 (BANKED EDAh)<sup>(1)</sup>

| U-0   | U-0 | U-0 | R/W-0  | R/W-0  | R/W-0  | R/W-0  | R/W-0  |
|-------|-----|-----|--------|--------|--------|--------|--------|
| —     | —   | —   | RP20R4 | RP20R3 | RP20R2 | RP20R1 | RP20R0 |
| bit 7 |     |     |        |        |        |        | bit 0  |

|                   |  |
|-------------------|--|
| <b>Legend:</b>    | R/W = Readable, Writable bit if IOLOCK = 0                         |
| R = Readable bit  | W = Writable bit      U = Unimplemented bit, read as '0'           |
| -n = Value at POR | '1' = Bit is set      '0' = Bit is cleared      x = Bit is unknown |

bit 7-5      **Unimplemented:** Read as '0'

bit 4-0      **RP20R<4:0>:** Peripheral Output Function is Assigned to RP20 Output Pin bits  
(see [Table 10-14](#) for peripheral function numbers)

**Note 1:** RP20 pins are not available on 28-pin devices.

# PIC18F46J50 FAMILY

## REGISTER 10-40: RPOR21: PERIPHERAL PIN SELECT OUTPUT REGISTER 21 (BANKED EDBh)<sup>(1)</sup>

| U-0   | U-0 | U-0 | R/W-0  | R/W-0  | R/W-0  | R/W-0  | R/W-0  |
|-------|-----|-----|--------|--------|--------|--------|--------|
| —     | —   | —   | RP21R4 | RP21R3 | RP21R2 | RP21R1 | RP21R0 |
| bit 7 |     |     |        |        |        |        | bit 0  |

|                   |  |
|-------------------|--|
| <b>Legend:</b>    | R/W = Readable, Writable bit if IOLOCK = 0 |
| R = Readable bit  | W = Writable bit                           |
| -n = Value at POR | '1' = Bit is set                           |
|                   | '0' = Bit is cleared                       |
|                   | x = Bit is unknown                         |
|                   | U = Unimplemented bit, read as '0'         |

bit 7-5 **Unimplemented:** Read as '0'

bit 4-0 **RP21R<4:0>:** Peripheral Output Function is Assigned to RP21 Output Pin bits (see [Table 10-14](#) for peripheral function numbers)

**Note 1:** RP21 pins are not available on 28-pin devices.

## REGISTER 10-41: RPOR22: PERIPHERAL PIN SELECT OUTPUT REGISTER 22 (BANKED EDCh)<sup>(1)</sup>

| U-0   | U-0 | U-0 | R/W-0  | R/W-0  | R/W-0  | R/W-0  | R/W-0  |
|-------|-----|-----|--------|--------|--------|--------|--------|
| —     | —   | —   | RP22R4 | RP22R3 | RP22R2 | RP22R1 | RP22R0 |
| bit 7 |     |     |        |        |        |        | bit 0  |

|                   |  |
|-------------------|--|
| <b>Legend:</b>    | R/W = Readable, Writable bit if IOLOCK = 0 |
| R = Readable bit  | W = Writable bit                           |
| -n = Value at POR | '1' = Bit is set                           |
|                   | '0' = Bit is cleared                       |
|                   | x = Bit is unknown                         |
|                   | U = Unimplemented bit, read as '0'         |

bit 7-5 **Unimplemented:** Read as '0'

bit 4-0 **RP22R<4:0>:** Peripheral Output Function is Assigned to RP22 Output Pin bits (see [Table 10-14](#) for peripheral function numbers)

**Note 1:** RP22 pins are not available on 28-pin devices.

## REGISTER 10-42: RPOR23: PERIPHERAL PIN SELECT OUTPUT REGISTER 23 (BANKED EDDh)<sup>(1)</sup>

| U-0   | U-0 | U-0 | R/W-0  | R/W-0  | R/W-0  | R/W-0  | R/W-0  |
|-------|-----|-----|--------|--------|--------|--------|--------|
| —     | —   | —   | RP23R4 | RP23R3 | RP23R2 | RP23R1 | RP23R0 |
| bit 7 |     |     |        |        |        |        | bit 0  |

|                   |  |
|-------------------|--|
| <b>Legend:</b>    | R/W = Readable, Writable bit if IOLOCK = 0 |
| R = Readable bit  | W = Writable bit                           |
| -n = Value at POR | '1' = Bit is set                           |
|                   | '0' = Bit is cleared                       |
|                   | x = Bit is unknown                         |
|                   | U = Unimplemented bit, read as '0'         |

bit 7-5 **Unimplemented:** Read as '0'

bit 4-0 **RP23R<4:0>:** Peripheral Output Function is Assigned to RP23 Output Pin bits (see [Table 10-14](#) for peripheral function numbers)

**Note 1:** RP23 pins are not available on 28-pin devices.

# PIC18F46J50 FAMILY

## REGISTER 10-43: RPOR24: PERIPHERAL PIN SELECT OUTPUT REGISTER 24 (BANKED EDEh)<sup>(1)</sup>

|       |     |     |        |        |        |        |        |
|-------|-----|-----|--------|--------|--------|--------|--------|
| U-0   | U-0 | U-0 | R/W-0  | R/W-0  | R/W-0  | R/W-0  | R/W-0  |
| —     | —   | —   | RP24R4 | RP24R3 | RP24R2 | RP24R1 | RP24R0 |
| bit 7 |     |     |        |        |        |        | bit 0  |

|                   |  |
|-------------------|--|
| <b>Legend:</b>    | R/W = Readable, Writable bit if IOLOCK = 0                         |
| R = Readable bit  | W = Writable bit      U = Unimplemented bit, read as '0'           |
| -n = Value at POR | '1' = Bit is set      '0' = Bit is cleared      x = Bit is unknown |

bit 7-5      **Unimplemented:** Read as '0'

bit 4-0      **RP24R<4:0>:** Peripheral Output Function is Assigned to RP24 Output Pin bits  
(see [Table 10-14](#) for peripheral function numbers)

**Note 1:** RP24 pins are not available on 28-pin devices.



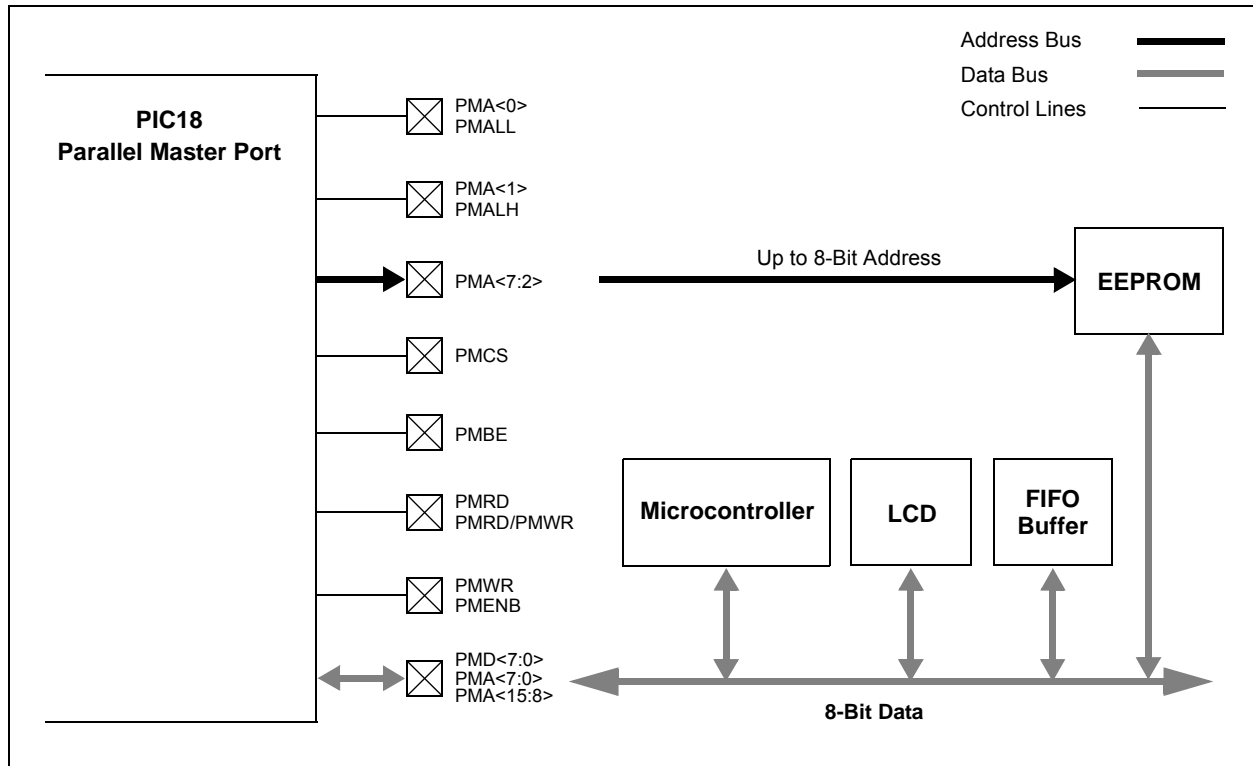
## 11.0 PARALLEL MASTER PORT (PMP)

The Parallel Master Port module (PMP) is an 8-bit parallel I/O module, specifically designed to communicate with a wide variety of parallel devices, such as communication peripherals, LCDs, external memory devices and microcontrollers. Because the interface to parallel peripherals varies significantly, the PMP is highly configurable. The PMP module can be configured to serve as either a PMP or as a Parallel Slave Port (PSP).

Key features of the PMP module are:

- Up to 16 bits of Addressing when Using Data/Address Multiplexing
- Up to 8 Programmable Address Lines
- One Chip Select Line
- Programmable Strobe Options:
  - Individual Read and Write Strobes or;
  - Read/Write Strobe with Enable Strobe
- Address Auto-Increment/Auto-Decrement
- Programmable Address/Data Multiplexing
- Programmable Polarity on Control Signals
- Legacy Parallel Slave Port Support
- Enhanced Parallel Slave Support:
  - Address Support
  - 4-Byte Deep, Auto-Incrementing Buffer
- Programmable Wait States
- Selectable Input Voltage Levels

**FIGURE 11-1: PMP MODULE OVERVIEW**



# PIC18F46J50 FAMILY

## 11.1 Module Registers

The PMP module has a total of 14 Special Function Registers (SFRs) for its operation, plus one additional register to set configuration options. Of these, eight registers are used for control and six are used for PMP data transfer.

### 11.1.1 CONTROL REGISTERS

The eight PMP Control registers are:

- PMCONH and PMCONL
- PMMODEH and PMMODEL
- PMSTATL and PMSTATH
- PMEHL and PMEL

The PMCON registers ([Register 11-1](#) and [Register 11-2](#)) control basic module operations, including turning the module on or off. They also configure address multiplexing and control strobe configuration.

The PMMODE registers ([Register 11-3](#) and [Register 11-4](#)) configure the various Master and Slave modes, the data width and interrupt generation.

The PMEHL and PMEL registers ([Register 11-5](#) and [Register 11-6](#)) configure the module's operation at the hardware (I/O pin) level.

The PMSTAT registers ([Register 11-5](#) and [Register 11-6](#)) provide status flags for the module's input and output buffers, depending on the operating mode.

### REGISTER 11-1: PMCONH: PARALLEL PORT CONTROL REGISTER HIGH BYTE (BANKED F5Fh)<sup>(1)</sup>

|       |     |     |         |         |        |        |        |
|-------|-----|-----|---------|---------|--------|--------|--------|
| R/W-0 | U-0 | U-0 | R/W-0   | R/W-0   | R/W-0  | R/W-0  | R/W-0  |
| PMPEN | —   | —   | ADRMUX1 | ADRMUX0 | PTBEEN | PTWREN | PTRDEN |
| bit 7 |     |     |         |         |        |        | bit 0  |

#### Legend:

R = Readable bit  
-n = Value at POR

W = Writable bit  
'1' = Bit is set

U = Unimplemented bit, read as '0'  
'0' = Bit is cleared  
x = Bit is unknown

- bit 7      **PMPEN:** Parallel Master Port Enable bit  
1 = PMP is enabled  
0 = PMP is disabled, no off-chip access is performed
- bit 6-5    **Unimplemented:** Read as '0'
- bit 4-3    **ADRMUX<1:0>:** Address/Data Multiplexing Selection bits  
11 = Reserved  
10 = All 16 bits of the address are multiplexed on PMD<7:0> pins  
01 = Lower 8 bits of the address are multiplexed on PMD<7:0> pins (only eight bits of address are available in this mode)  
00 = Address and data appear on separate pins (only eight bits of address are available in this mode)
- bit 2      **PTBEEN:** Byte Enable Port Enable bit (16-Bit Master mode)  
1 = PMBE port is enabled  
0 = PMBE port is disabled
- bit 1      **PTWREN:** Write Enable Strobe Port Enable bit  
1 = PMWR/PMENB port is enabled  
0 = PMWR/PMENB port is disabled
- bit 0      **PTRDEN:** Read/Write Strobe Port Enable bit  
1 = PMRD/PMWR port is enabled  
0 = PMRD/PMWR port is disabled

**Note 1:** This register is only available on 44-pin devices.

# PIC18F46J50 FAMILY

**REGISTER 11-2: PMCONL: PARALLEL PORT CONTROL REGISTER LOW BYTE (BANKED F5Eh)<sup>(1)</sup>**

| R/W-0 | R/W-0 | R/W-0 <sup>(2)</sup> | R/W-0 | R/W-0 <sup>(2)</sup> | R/W-0 | R/W-0 | R/W-0 |
|-------|-------|----------------------|-------|----------------------|-------|-------|-------|
| CSF1  | CSF0  | ALP                  | —     | CS1P                 | BEP   | WRSP  | RDSP  |
| bit 7 |       |                      |       |                      |       |       | bit 0 |

**Legend:**

|                   |                  |                                    |
|-------------------|------------------|------------------------------------|
| R = Readable bit  | W = Writable bit | U = Unimplemented bit, read as '0' |
| -n = Value at POR | '1' = Bit is set | '0' = Bit is cleared               |
|                   |                  | x = Bit is unknown                 |

- bit 7-6     **CSF<1:0>**: Chip Select Function bits
  - 11 = Reserved
  - 10 = Chip select function is enabled and PMCS acts as chip select (in Master mode). Up to 13 address bits only can be generated.
  - 01 = Reserved
  - 00 = Chip select function is disabled (in Master mode). All 16 address bits can be generated.
- bit 5       **ALP**: Address Latch Polarity bit<sup>(2)</sup>
  - 1 = Active-high (PMALL and PMALH)
  - 0 = Active-low (PMALL and PMALH)
- bit 4       **Unimplemented**: Maintain as '0'
- bit 3       **CS1P**: Chip Select Polarity bit<sup>(2)</sup>
  - 1 = Active-high (PMCS)
  - 0 = Active-low (PMCS)
- bit 2       **BEP**: Byte Enable Polarity bit
  - 1 = Byte enable is active-high (PMBE)
  - 0 = Byte enable is active-low (PMBE)
- bit 1       **WRSP**: Write Strobe Polarity bit
  - For Slave modes and Master Mode 2 (PMMODEH<1:0> = 00, 01, 10):
  - 1 = Write strobe is active-high (PMWR)
  - 0 = Write strobe is active-low (PMWR)
  - For Master Mode 1 (PMMODEH<1:0> = 11):
  - 1 = Enable strobe is active-high (PMENB)
  - 0 = Enable strobe is active-low (PMENB)
- bit 0       **RDSP**: Read Strobe Polarity bit
  - For Slave modes and Master Mode 2 (PMMODEH<1:0> = 00, 01, 10):
  - 1 = Read strobe is active-high (PMRD)
  - 0 = Read strobe is active-low (PMRD)
  - For Master Mode 1 (PMMODEH<1:0> = 11):
  - 1 = Read/write strobe is active-high (PMRD/PMWR)
  - 0 = Read/write strobe is active-low (PMRD/PMWR)

- Note 1:** This register is only available on 44-pin devices.  
**Note 2:** These bits have no effect when their corresponding pins are used as address lines.

# PIC18F46J50 FAMILY

## REGISTER 11-3: PMMODEH: PARALLEL PORT MODE REGISTER HIGH BYTE (BANKED F5Dh)<sup>(1)</sup>

|       |       |       |       |       |        |       |       |
|-------|-------|-------|-------|-------|--------|-------|-------|
| R-0   | R/W-0 | R/W-0 | R/W-0 | R/W-0 | R/W-0  | R/W-0 | R/W-0 |
| BUSY  | IRQM1 | IRQM0 | INCM1 | INCM0 | MODE16 | MODE1 | MODE0 |
| bit 7 |       |       |       |       |        |       | bit 0 |

### Legend:

|                   |                  |  |
|-------------------|------------------|--|
| R = Readable bit  | W = Writable bit | U = Unimplemented bit, read as '0'           |
| -n = Value at POR | '1' = Bit is set | '0' = Bit is cleared      x = Bit is unknown |

bit 7      **BUSY:** Busy bit (Master mode only)

1 = Port is busy  
0 = Port is not busy

bit 6-5      **IRQM<1:0>:** Interrupt Request Mode bits

11 = Interrupt is generated when Read Buffer 3 is read or Write Buffer 3 is written (Buffered PSP mode), or on a read or write operation when PMA<1:0> = 11 (Addressable PSP mode only)  
10 = No interrupt is generated, processor stall is activated  
01 = Interrupt is generated at the end of the read/write cycle  
00 = No interrupt is generated

bit 4-3      **INCM<1:0>:** Increment Mode bits

11 = PSP read and write buffers auto-increment (Legacy PSP mode only)  
10 = Decrement ADDR<15,13:0> by 1 every read/write cycle  
01 = Increment ADDR<15,13:0> by 1 every read/write cycle  
00 = No increment or decrement of the address

bit 2      **MODE16:** 8/16-Bit Mode bit

1 = 16-bit mode: Data register is 16 bits, a read or write to the Data register invokes two 8-bit transfers  
0 = 8-bit mode: Data register is 8 bits, a read or write to the Data register invokes one 8-bit transfer

bit 1-0      **MODE<1:0>:** Parallel Port Mode Select bits

11 = Master Mode 1 (PMCS, PMRD/PMWR, PMENB, PMBE, PMA<x:0> and PMD<7:0>)  
10 = Master Mode 2 (PMCS, PMRD, PMWR, PMBE, PMA<x:0> and PMD<7:0>)  
01 = Enhanced PSP, control signals (PMRD, PMWR, PMCS, PMD<7:0> and PMA<1:0>)  
00 = Legacy Parallel Slave Port, control signals (PMRD, PMWR, PMCS and PMD<7:0>)

**Note 1:** This register is only available on 44-pin devices.

# PIC18F46J50 FAMILY

## REGISTER 11-4: PPMODEL: PARALLEL PORT MODE REGISTER LOW BYTE (BANKED F5Ch)<sup>(1)</sup>

| R/W-0                 | R/W-0                 | R/W-0  | R/W-0  | R/W-0  | R/W-0  | R/W-0                 | R/W-0                 |
|-----------------------|-----------------------|--------|--------|--------|--------|-----------------------|-----------------------|
| WAITB1 <sup>(2)</sup> | WAITB0 <sup>(2)</sup> | WAITM3 | WAITM2 | WAITM1 | WAITM0 | WAITE1 <sup>(2)</sup> | WAITE0 <sup>(2)</sup> |
| bit 7                 |                       |        |        |        |        |                       | bit 0                 |

### Legend:

|                   |                  |                                    |
|-------------------|------------------|------------------------------------|
| R = Readable bit  | W = Writable bit | U = Unimplemented bit, read as '0' |
| -n = Value at POR | '1' = Bit is set | '0' = Bit is cleared               |
|                   |                  | x = Bit is unknown                 |

bit 7-6 **WAITB<1:0>**: Data Setup to Read/Write Wait State Configuration bits<sup>(2)</sup>

11 = Data wait of 4 Tcy; multiplexed address phase of 4 Tcy  
 10 = Data wait of 3 Tcy; multiplexed address phase of 3 Tcy  
 01 = Data wait of 2 Tcy; multiplexed address phase of 2 Tcy  
 00 = Data wait of 1 Tcy; multiplexed address phase of 1 Tcy

bit 5-2 **WAITM<3:0>**: Read to Byte Enable Strobe Wait State Configuration bits

1111 = Wait of additional 15 Tcy

.  
.  
.

0001 = Wait of additional 1 Tcy  
 0000 = No additional Wait cycles (operation forced into one Tcy)

bit 1-0 **WAITE<1:0>**: Data Hold After Strobe Wait State Configuration bits<sup>(2)</sup>

11 = Wait of 4 Tcy  
 10 = Wait of 3 Tcy  
 01 = Wait of 2 Tcy  
 00 = Wait of 1 Tcy

**Note 1:** This register is only available on 44-pin devices.

**2:** WAITBx and WAITEx bits are ignored whenever WAITM<3:0> = 0000.

# PIC18F46J50 FAMILY

## REGISTER 11-5: PМЕH: PARALLEL PORT ENABLE REGISTER HIGH BYTE (BANKED F57h)<sup>(1)</sup>

|       |        |       |       |       |       |       |       |
|-------|--------|-------|-------|-------|-------|-------|-------|
| R/W-0 | R/W-0  | R/W-0 | R/W-0 | R/W-0 | R/W-0 | R/W-0 | R/W-0 |
| —     | PTEN14 | —     | —     | —     | —     | —     | —     |
| bit 7 |        |       |       |       |       |       | bit 0 |

### Legend:

R = Readable bit                      W = Writable bit                      U = Unimplemented bit, read as '0'  
 -n = Value at POR                      '1' = Bit is set                      '0' = Bit is cleared                      x = Bit is unknown

bit 7                      **Unimplemented:** Maintain as '0'

bit 6                      **PTEN14:** PMCS Port Enable bit  
                                  1 = PMCS chip select line  
                                  0 = PMCS functions as port I/O

bit 5-0                      **Unimplemented:** Maintain as '0'

**Note 1:** This register is only available on 44-pin devices.

## REGISTER 11-6: PМЕL: PARALLEL PORT ENABLE REGISTER LOW BYTE (BANKED F56h)<sup>(1)</sup>

|       |       |       |       |       |       |       |       |
|-------|-------|-------|-------|-------|-------|-------|-------|
| R/W-0 | R/W-0 | R/W-0 | R/W-0 | R/W-0 | R/W-0 | R/W-0 | R/W-0 |
| PTEN7 | PTEN6 | PTEN5 | PTEN4 | PTEN3 | PTEN2 | PTEN1 | PTEN0 |
| bit 7 |       |       |       |       |       |       | bit 0 |

### Legend:

R = Readable bit                      W = Writable bit                      U = Unimplemented bit, read as '0'  
 -n = Value at POR                      '1' = Bit is set                      '0' = Bit is cleared                      x = Bit is unknown

bit 7-2                      **PTEN<7:2>:** PMP Address Port Enable bits  
                                  1 = PMA<7:2> function as PMP address lines  
                                  0 = PMA<7:2> function as port I/O

bit 1-0                      **PTEN<1:0>:** PMALH/PMALL Strobe Enable bits  
                                  1 = PMA<1:0> function as either PMA<1:0> or PMALH and PMALL  
                                  0 = PMA<1:0> pads function as port I/O

**Note 1:** This register is only available on 44-pin devices.

# PIC18F46J50 FAMILY

## REGISTER 11-7: PMSTATH: PARALLEL PORT STATUS REGISTER HIGH BYTE (BANKED F55h)<sup>(1)</sup>

|       |       |     |     |      |      |      |       |
|-------|-------|-----|-----|------|------|------|-------|
| R-0   | R/W-0 | U-0 | U-0 | R-0  | R-0  | R-0  | R-0   |
| IBF   | IBOV  | —   | —   | IB3F | IB2F | IB1F | IB0F  |
| bit 7 |       |     |     |      |      |      | bit 0 |

### Legend:

R = Readable bit                      W = Writable bit                      U = Unimplemented bit, read as '0'  
 -n = Value at POR                      '1' = Bit is set                      '0' = Bit is cleared                      x = Bit is unknown

- bit 7            **IBF:** Input Buffer Full Status bit  
                   1 = All writable Input Buffer registers are full  
                   0 = Some or all of the writable Input Buffer registers are empty
- bit 6            **IBOV:** Input Buffer Overflow Status bit  
                   1 = A write attempt to a full Input Byte register occurred (must be cleared in software)  
                   0 = No overflow occurred
- bit 5-4        **Unimplemented:** Read as '0'
- bit 3-0        **IB3F:IB0F:** Input Buffer x Status Full bits  
                   1 = Input buffer contains data that has not been read (reading the buffer will clear this bit)  
                   0 = Input buffer does not contain any unread data

**Note 1:** This register is only available on 44-pin devices.

## REGISTER 11-8: PMSTATL: PARALLEL PORT STATUS REGISTER LOW BYTE (BANKED F54h)<sup>(1)</sup>

|       |       |     |     |      |      |      |       |
|-------|-------|-----|-----|------|------|------|-------|
| R-1   | R/W-0 | U-0 | U-0 | R-1  | R-1  | R-1  | R-1   |
| OBE   | OBUF  | —   | —   | OB3E | OB2E | OB1E | OB0E  |
| bit 7 |       |     |     |      |      |      | bit 0 |

### Legend:

R = Readable bit                      W = Writable bit                      U = Unimplemented bit, read as '0'  
 -n = Value at POR                      '1' = Bit is set                      '0' = Bit is cleared                      x = Bit is unknown

- bit 7            **OBE:** Output Buffer Empty Status bit  
                   1 = All readable Output Buffer registers are empty  
                   0 = Some or all of the readable Output Buffer registers are full
- bit 6            **OBUF:** Output Buffer Underflow Status bit  
                   1 = A read occurred from an empty Output Byte register (must be cleared in software)  
                   0 = No underflow occurred
- bit 5-4        **Unimplemented:** Read as '0'
- bit 3-0        **OB3E:OB0E:** Output Buffer x Status Empty bits  
                   1 = Output buffer is empty (writing data to the buffer will clear this bit)  
                   0 = Output buffer contains data that has not been transmitted

**Note 1:** This register is only available on 44-pin devices.

# PIC18F46J50 FAMILY

---

## 11.1.2 DATA REGISTERS

The PMP module uses eight registers for transferring data into and out of the microcontroller. They are arranged as four pairs to allow the option of 16-bit data operations:

- PMDIN1H and PMDIN1L
- PMDIN2H and PMDIN2L
- PMADDRH/PMDOOUT1H and PMADDRL/PMDOOUT1L
- PMDOOUT2H and PMDOOUT2L

The PMDIN1 register is used for incoming data in Slave modes, and both input and output data in Master modes. The PMDIN2 register is used for buffering input data in select Slave modes.

The PMADDR/PMDOOUT1 registers are actually a single register pair. The name and function are dictated by the module's operating mode. In Master modes, the registers function as the PMADDRH and PMADDRL registers and contain the address of any incoming or outgoing data. In Slave modes, the registers function as PMDOOUT1H and PMDOOUT1L and are used for outgoing data.

PMADDRH differs from PMADDRL in that it can also have limited PMP control functions. When the module is operating in select Master mode configurations, the upper two bits of the register can be used to determine the operation of chip select signals. If these are not used, PMADDR simply functions to hold the upper 8 bits of the address. [Register 11-9](#) provides the function of the individual bits in PMADDRH.

The PMDOOUT2H and PMDOOUT2L registers are only used in Buffered Slave modes and serve as a buffer for outgoing data.

## 11.1.3 PAD CONFIGURATION CONTROL REGISTER

In addition to the module level configuration options, the PMP module can also be configured at the I/O pin for electrical operation. This option allows users to select either the normal Schmitt Trigger input buffer on digital I/O pins shared with the PMP, or use TTL level compatible buffers instead. Buffer configuration is controlled by the PMPTTL bit in the PADCFG1 register.



# PIC18F46J50 FAMILY

## REGISTER 11-9: PMADDRH: PARALLEL PORT ADDRESS REGISTER HIGH BYTE (MASTER MODES ONLY) (ACCESS F6Fh)<sup>(1)</sup>

|       |       |  |       |       |       |       |       |
|-------|-------|--|-------|-------|-------|-------|-------|
| R/W-0 | R/W-0 | R/W-0  | R/W-0 | R/W-0 | R/W-0 | R/W-0 | R/W-0 |
| —     | CS1   | Parallel Master Port Address High Byte<13:8> |       |       |       |       |       |
| bit 7 |       |  |       |       |       |       | bit 0 |

### Legend:

R = Readable bit                      W = Writable bit                      U = Unimplemented bit, read as '0'  
 -n = Value at POR                      '1' = Bit is set                      '0' = Bit is cleared                      x = Bit is unknown

bit 7                      **Unimplemented:** Maintain as '0'

bit 6                      **CS1:** Chip Select bit

If PMCON<7:6> = 10:

1 = Chip select is active

0 = Chip select is inactive

If PMCON<7:6> = 11 or 00:

Bit functions as ADDR<14>.

bit 5-0                      **Parallel Master Port Address:** High Byte<13:8> bits

**Note 1:** In Enhanced Slave mode, PMADDRH functions as PMDOUT1H, one of the Output Data Buffer registers.

## REGISTER 11-10: PMADDRL: PARALLEL PORT ADDRESS REGISTER LOW BYTE (MASTER MODES ONLY) (ACCESS F6Eh)<sup>(1)</sup>

|  |       |       |       |       |       |       |       |
|--|-------|-------|-------|-------|-------|-------|-------|
| R/W-0                                      | R/W-0 | R/W-0 | R/W-0 | R/W-0 | R/W-0 | R/W-0 | R/W-0 |
| Parallel Master Port Address Low Byte<7:0> |       |       |       |       |       |       |       |
| bit 7                                      |       |       |       |       |       |       | bit 0 |

### Legend:

R = Readable bit                      W = Writable bit                      U = Unimplemented bit, read as '0'  
 -n = Value at POR                      '1' = Bit is set                      '0' = Bit is cleared                      x = Bit is unknown

bit 7-0                      **Parallel Master Port Address:** Low Byte<7:0> bits

**Note 1:** In Enhanced Slave mode, PMADDRL functions as PMDOUT1L, one of the Output Data Buffer registers.

# PIC18F46J50 FAMILY

## 11.2 Slave Port Modes

The primary mode of operation for the module is configured using the MODE<1:0> bits in the PMMODEH register. The setting affects whether the module acts as a slave or a master and it determines the usage of the control pins.

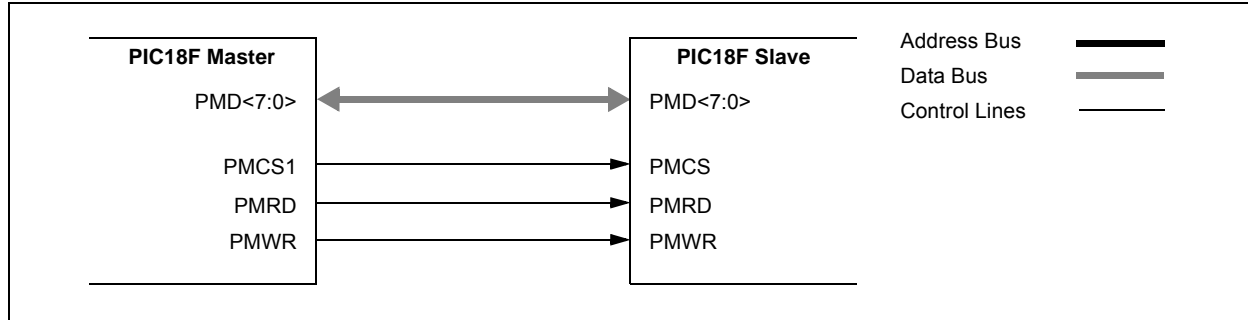
### 11.2.1 LEGACY MODE (PSP)

In Legacy mode (PMMODEH<1:0> = 00 and PMPEN = 1), the module is configured as a Parallel Slave Port (PSP) with the associated enabled module

pins dedicated to the module. In this mode, an external device, such as another microcontroller or micro-processor, can asynchronously read and write data using the 8-bit data bus (PMD<7:0>), the read (PMRD), write (PMWR) and chip select (PMCS1) inputs. It acts as a slave on the bus and responds to the read/write control signals.

Figure 11-2 displays the connection of the PSP. When chip select is active and a write strobe occurs (PMCS = 1 and PMWR = 1), the data from PMD<7:0> is captured into the PMDIN1L register.

**FIGURE 11-2: LEGACY PARALLEL SLAVE PORT EXAMPLE**



# PIC18F46J50 FAMILY

## 11.2.2 WRITE TO SLAVE PORT

When chip select is active and a write strobe occurs (PMCS = 1 and PMWR = 1), the data from PMD<7:0> is captured into the lower PMDIN1L register. The PMPIF and IBF flag bits are set when the write ends. The timing for the control signals in Write mode is displayed in Figure 11-3. The polarity of the control signals are configurable.

## 11.2.3 READ FROM SLAVE PORT

When chip select is active and a read strobe occurs (PMCS = 1 and PMRD = 1), the data from the PMDOUT1L register (PMDOUT1L<7:0>) is presented onto PMD<7:0>. Figure 11-4 provides the timing for the control signals in Read mode.

**FIGURE 11-3: PARALLEL SLAVE PORT WRITE WAVEFORMS**



**FIGURE 11-4: PARALLEL SLAVE PORT READ WAVEFORMS**



# PIC18F46J50 FAMILY

## 11.2.4 BUFFERED PARALLEL SLAVE PORT MODE

Buffered Parallel Slave Port mode is functionally identical to the legacy PSP mode with one exception, the implementation of 4-level read and write buffers. Buffered PSP mode is enabled by setting the INCM bits in the PMMODEH register. If the INCM<1:0> bits are set to '11', the PMP module will act as the Buffered PSP mode.

When the Buffered PSP mode is active, the PMDIN1L, PMDIN1H, PMDIN2L and PMDIN2H registers become the write buffers and the PMDOUT1L, PMDOUT1H, PMDOUT2L and PMDOUT2H registers become the read buffers. Buffers are numbered, 0 through 3, starting with the lower byte of PMDIN1L to PMDIN2H as the read buffers and PMDOUT1L to PMDOUT2H as the write buffers.

### 11.2.4.1 READ FROM SLAVE PORT

For read operations, the bytes will be sent out sequentially, starting with Buffer 0 (PMDOUT1L<7:0>) and ending with Buffer 3 (PMDOUT2H<7:0>) for every read strobe. The module maintains an internal pointer to keep track of which buffer is to be read. Each buffer has a corresponding read status bit, OBxE, in the PMSTATL register. This bit is cleared when a buffer contains data that has not been written to the bus and is set when data is written to the bus. If the current buffer location being read from is empty, a buffer underflow is generated, and the Buffer Overflow flag bit (OBUF) is set. If all four OBxE status bits are set, then the Output Buffer Empty flag (OBE) will also be set.

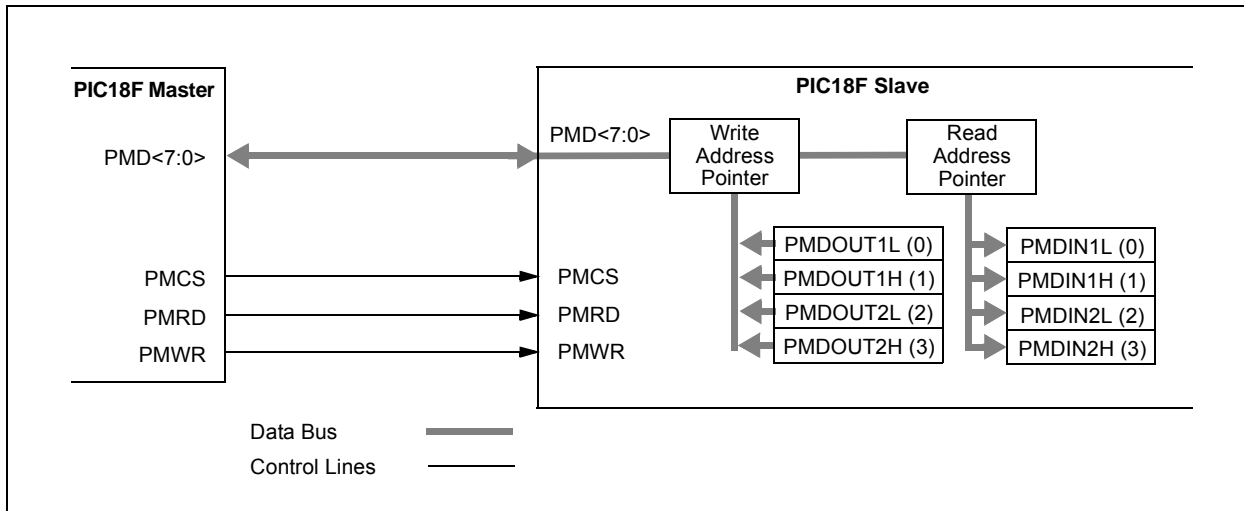
### 11.2.4.2 WRITE TO SLAVE PORT

For write operations, the data has to be stored sequentially, starting with Buffer 0 (PMDIN1L<7:0>) and ending with Buffer 3 (PMDIN2H<7:0>). As with read operations, the module maintains an internal pointer to the buffer that is to be written next.

The input buffers have their own write status bits, IBxF in the PMSTATH register. The bit is set when the buffer contains unread incoming data, and cleared when the data has been read. The flag bit is set on the write strobe. If a write occurs on a buffer when its associated IBxF bit is set, the Buffer Overflow flag, IBOV, is set; any incoming data in the buffer will be lost. If all four IBxF flags are set, the Input Buffer Full Flag (IBF) is set.

In Buffered Slave mode, the module can be configured to generate an interrupt on every read or write strobe (IRQM<1:0> = 01). It can be configured to generate an interrupt on a read from Read Buffer 3 or a write to Write Buffer 3, which is essentially an interrupt every fourth read or write strobe (RQM<1:0> = 11). When interrupting every fourth byte for input data, all input buffer registers should be read to clear the IBxF flags. If these flags are not cleared, then there is a risk of hitting an overflow condition.

**FIGURE 11-5: PARALLEL MASTER/SLAVE CONNECTION BUFFERED EXAMPLE**



# PIC18F46J50 FAMILY

## 11.2.5 ADDRESSABLE PARALLEL SLAVE PORT MODE

In the Addressable Parallel Slave Port mode (PMMODEH<1:0> = 01), the module is configured with two extra inputs, PMA<1:0>, which are the Address Lines 1 and 0. This makes the 4-byte buffer space directly addressable as fixed pairs of read and write buffers. As with Legacy Buffered mode, data is output from PMDOUT1L, PMDOUT1H, PMDOUT2L and PMDOUT2H, and is read in PMDIN1L, PMDIN1H, PMDIN2L and PMDIN2H. Table 11-1 provides the buffer addressing for the incoming address to the input and output registers.

**TABLE 11-1: SLAVE MODE BUFFER ADDRESSING**

| PMA<1:0> | Output Register (Buffer) | Input Register (Buffer) |
|----------|--------------------------|-------------------------|
| 00       | PMDOUT1L (0)             | PMDIN1L (0)             |
| 01       | PMDOUT1H (1)             | PMDIN1H (1)             |
| 10       | PMDOUT2L (2)             | PMDIN2L (2)             |
| 11       | PMDOUT2H(3)              | PMDIN2H (3)             |

**FIGURE 11-6: PARALLEL MASTER/SLAVE CONNECTION ADDRESSED BUFFER EXAMPLE**



### 11.2.5.1 READ FROM SLAVE PORT

When chip select is active and a read strobe occurs (PMCS = 1 and PMRD = 1), the data from one of the four output bytes is presented onto PMD<7:0>. Which byte is read depends on the 2-bit address placed on ADDR<1:0>. Table 11-1 provides the corresponding

output registers and their associated address. When an output buffer is read, the corresponding OBxE bit is set. The OBxE flag bit is set when all the buffers are empty. If any buffer is already empty, OBxE = 1, the next read to that buffer will generate an OBUF event.

**FIGURE 11-7: PARALLEL SLAVE PORT READ WAVEFORMS**



# PIC18F46J50 FAMILY

## 11.2.5.2 WRITE TO SLAVE PORT

When chip select is active and a write strobe occurs (PMCS = 1 and PMWR = 1), the data from PMD<7:0> is captured into one of the four input buffer bytes. Which byte is written depends on the 2-bit address placed on ADDRL<1:0>.

Table 11-1 provides the corresponding input registers and their associated address.

When an input buffer is written, the corresponding IBxF bit is set. The IBF flag bit is set when all the buffers are written. If any buffer is already written (IBxF = 1), the next write strobe to that buffer will generate an OBUF event and the byte will be discarded.

**FIGURE 11-8: PARALLEL SLAVE PORT WRITE WAVEFORMS**



## 11.3 MASTER PORT MODES

In its Master modes, the PMP module provides an 8-bit data bus, up to 16 bits of address, and all the necessary control signals to operate a variety of external parallel devices, such as memory devices, peripherals and slave microcontrollers. To use the PMP as a master, the module must be enabled ( $PMPEN = 1$ ) and the mode must be set to one of the two possible Master modes ( $PMMODEH<1:0> = 10$  or  $11$ ).

Because there are a number of parallel devices with a variety of control methods, the PMP module is designed to be extremely flexible to accommodate a range of configurations. Some of these features include:

- 8-Bit and 16-Bit Data modes on an 8-bit data bus
- Configurable address/data multiplexing
- Up to two chip select lines
- Up to 16 selectable address lines
- Address auto-increment and auto-decrement
- Selectable polarity on all control lines
- Configurable Wait states at different stages of the read/write cycle

### 11.3.1 PMP AND I/O PIN CONTROL

Multiple control bits are used to configure the presence or absence of control and address signals in the module. These bits are  $PTBEEN$ ,  $PTWREN$ ,  $PTRDEN$  and  $PTEN<15:0>$ . They give the user the ability to conserve pins for other functions and allow flexibility to control the external address. When any one of these bits is set, the associated function is present on its associated pin; when clear, the associated pin reverts to its defined I/O port function.

Setting a  $PTENx$  bit will enable the associated pin as an address pin and drive the corresponding data contained in the  $PMADDR$  register. Clearing a  $PTENx$  bit will force the pin to revert to its original I/O function.

For the pin configured as chip select ( $PMCS$ ) with the corresponding  $PTENx$  bit set, the  $PTEN0$  and  $PTEN1$  bits will also control the  $PMALL$  and  $PMALH$  signals. When multiplexing is used, the associated address latch signals should be enabled.

### 11.3.2 READ/WRITE CONTROL

The PMP module supports two distinct read/write signaling methods. In Master Mode 1, read and write strobes are combined into a single control line,  $PMRD/PMWR$ . A second control line,  $PMENB$ , determines when a read or write action is to be taken. In Master Mode 2, separate read and write strobes ( $PMRD$  and  $PMWR$ ) are supplied on separate pins.

All control signals ( $PMRD$ ,  $PMWR$ ,  $PMBE$ ,  $PMENB$ ,  $PMAL$  and  $PMCS$ ) can be individually configured as either positive or negative polarity. Configuration is controlled by separate bits in the  $PMCONL$  register.

Note that the polarity of control signals that share the same output pin (for example,  $PMWR$  and  $PMENB$ ) are controlled by the same bit; the configuration depends on which Master Port mode is being used.

### 11.3.3 DATA WIDTH

The PMP supports data widths of both 8 bits and 16 bits. The data width is selected by the  $MODE16$  bit ( $PMMODEH<2>$ ). Because the data path into and out of the module is only 8 bits wide, 16-bit operations are always handled in a multiplexed fashion, with the Least Significant Byte (LSB) of data being presented first. To differentiate data bytes, the byte enable control strobe,  $PMBE$ , is used to signal when the Most Significant Byte (MSB) of data is being presented on the data lines.

### 11.3.4 ADDRESS MULTIPLEXING

In either of the Master modes ( $PMMODEH<1:0> = 1x$ ), the user can configure the address bus to be multiplexed together with the data bus. This is accomplished by using the  $ADRMUX<1:0>$  bits ( $PMCONH<4:3>$ ). There are three Address Multiplexing modes available. Typical pinout configurations for these modes are displayed in [Figure 11-9](#), [Figure 11-10](#) and [Figure 11-11](#).

In Demultiplexed mode ( $PMCONH<4:3> = 00$ ), data and address information are completely separated. Data bits are presented on  $PMD<7:0>$ , and address bits are presented on  $PMADDRH<6:0>$  and  $PMADDRL<7:0>$ .

In Partially Multiplexed mode ( $PMCONH<4:3> = 01$ ), the lower eight bits of the address are multiplexed with the data pins on  $PMD<7:0>$ . The upper eight bits of address are unaffected and are presented on  $PMADDRH<6:0>$ . The  $PMA0$  pin is used as an address latch and presents the Address Latch Low ( $PMALL$ ) enable strobe. The read and write sequences are extended by a complete CPU cycle, during which, the address is presented on the  $PMD<7:0>$  pins.

In Fully Multiplexed mode ( $PMCONH<4:3> = 10$ ), the entire 16 bits of the address are multiplexed with the data pins on  $PMD<7:0>$ . The  $PMA0$  and  $PMA1$  pins are used to present Address Latch Low ( $PMALL$ ) enable strobes and Address Latch High ( $PMALH$ ) enable strobes, respectively. The read and write sequences are extended by two complete CPU cycles. During the first cycle, the lower eight bits of the address are presented on the  $PMD<7:0>$  pins with the  $PMALL$  strobe active. During the second cycle, the upper eight bits of the address are presented on the  $PMD<7:0>$  pins with the  $PMALH$  strobe active. In the event the upper address bits are configured as chip select pins, the corresponding address bits are automatically forced to '0'.

# PIC18F46J50 FAMILY

**FIGURE 11-9: DEMULTIPLEXED ADDRESSING MODE (SEPARATE READ AND WRITE STROBES WITH CHIP SELECT)**



**FIGURE 11-10: PARTIALLY MULTIPLEXED ADDRESSING MODE (SEPARATE READ AND WRITE STROBES WITH CHIP SELECT)**



**FIGURE 11-11: FULLY MULTIPLEXED ADDRESSING MODE (SEPARATE READ AND WRITE STROBES WITH CHIP SELECT)**





## 11.3.5 CHIP SELECT FEATURES

One chip select line, PMCS, is available for the Master modes of the PMP. The chip select line is controlled by the second Most Significant bit (MSb) of the address bus (PMADDRH<6>). When configured for chip select, the PMADDRH<7:6> bits are not included in any address auto-increment/decrement. The function of the chip select signal is configured using the chip select function bits (PMCONL<7:6>).

## 11.3.6 AUTO-INCREMENT/DECREMENT

While the module is operating in one of the Master modes, the INCMx bits (PMMODEH<4:3>) control the behavior of the address value. The address can be made to automatically increment or decrement after each read and write operation. The address increments once each operation is completed and the BUSY bit goes to '0'. If the chip select signals are disabled and configured as address bits, the bits will participate in the increment and decrement operations; otherwise, the CS1 bit values will be unaffected.

## 11.3.7 WAIT STATES

In Master mode, the user has control over the duration of the read, write and address cycles by configuring the module Wait states. Three portions of the cycle, the beginning, middle and end, are configured using the corresponding WAITBx, WAITMx and WAITEx bits in the PMMODEL register.

The WAITBx bits (PMMODEL<7:6>) set the number of Wait cycles for the data setup prior to the PMRD/PMWT strobe in Mode 10, or prior to the PMENB strobe in Mode 11. The WAITMx bits (PMMODEL<5:2>) set the number of Wait cycles for the PMRD/PMWT strobe in Mode 10, or for the PMENB strobe in Mode 11. When this Wait state setting is '0', then WAITB and WAITE have no effect. The WAITE bits (PMMODEL<1:0>) define the number of Wait cycles for the data hold time after the PMRD/PMWT strobe in Mode 10, or after the PMENB strobe in Mode 11.

## 11.3.8 READ OPERATION

To perform a read on the PMP, the user reads the PMDIN1L register. This causes the PMP to output the desired values on the chip select lines and the address bus. Then the read line (PMRD) is strobed. The read data is placed into the PMDIN1L register.

If the 16-bit mode is enabled (MODE16 = 1), the read of the low byte of the PMDIN1L register will initiate two bus reads. The first read data byte is placed into the PMDIN1L register and the second read data is placed into the PMDIN1H.

Note that the read data obtained from the PMDIN1L register is actually the read value from the previous read operation. Hence, the first user read will be a dummy read to initiate the first bus read and fill the Read register. Also, the requested read value will not be ready until after the BUSY bit is observed low. Thus, in a back-to-back read operation, the data read from the register will be the same for both reads. The next read of the register will yield the new value.

## 11.3.9 WRITE OPERATION

To perform a write onto the parallel bus, the user writes to the PMDIN1L register. This causes the module to first output the desired values on the chip select lines and the address bus. The write data from the PMDIN1L register is placed onto the PMD<7:0> data bus. Then, the write line (PMWR) is strobed. If the 16-bit mode is enabled (MODE16 = 1), the write to the PMDIN1L register will initiate two bus writes. The first write will consist of the data contained in PMDIN1L and the second write will contain the PMDIN1H.

## 11.3.10 PARALLEL MASTER PORT STATUS

### 11.3.10.1 The BUSY Bit

In addition to the PMP interrupt, a BUSY bit is provided to indicate the status of the module. This bit is used only in Master mode. While any read or write operation is in progress, the BUSY bit is set for all but the very last CPU cycle of the operation. In effect, if a single-cycle read or write operation is requested, the BUSY bit will never be active. This allows back-to-back transfers. While the bit is set, any request by the user to initiate a new operation will be ignored (i.e., writing or reading the lower byte of the PMDIN1L register will neither initiate a read nor a write).

### 11.3.10.2 Interrupts

When the PMP module interrupt is enabled for Master mode, the module will interrupt on every completed read or write cycle; otherwise, the BUSY bit is available to query the status of the module.

# PIC18F46J50 FAMILY

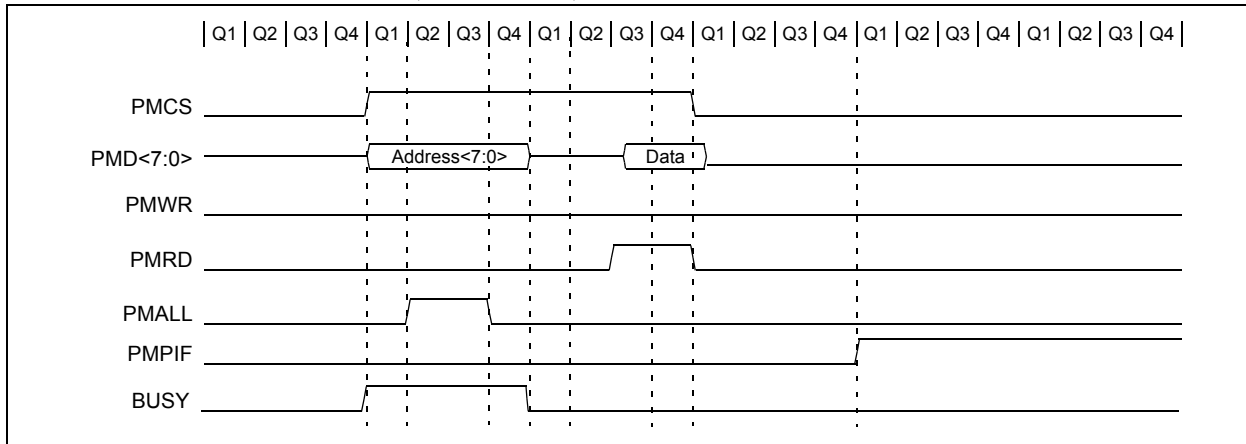
## 11.3.11 MASTER MODE TIMING

This section contains a number of timing examples that represent the common Master mode configuration options. These options vary from 8-bit to 16-bit data, fully demultiplexed to fully multiplexed address and Wait states.

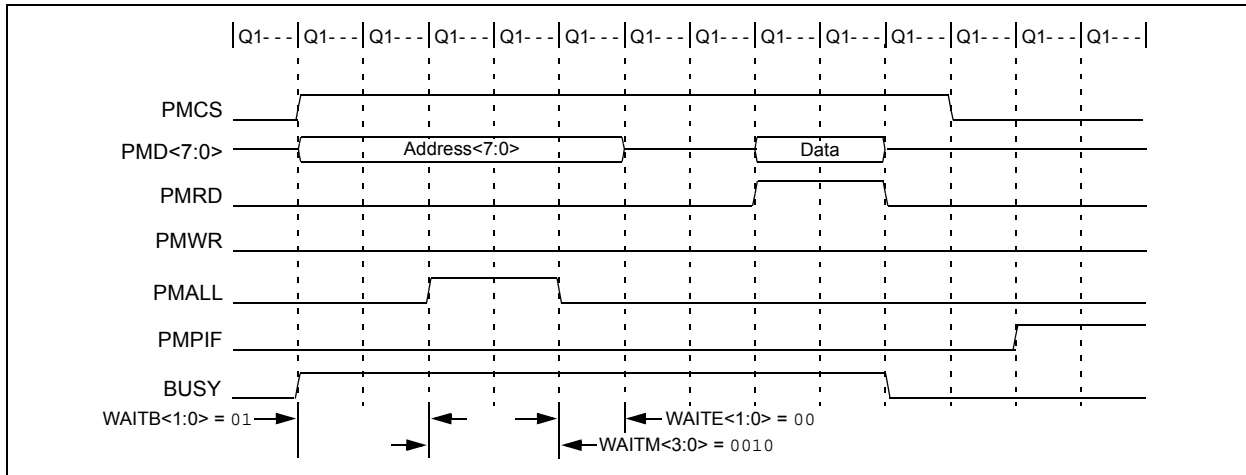
**FIGURE 11-12: READ AND WRITE TIMING, 8-BIT DATA, DEMULTIPLEXED ADDRESS**



**FIGURE 11-13: READ TIMING, 8-BIT DATA, PARTIALLY MULTIPLEXED ADDRESS**

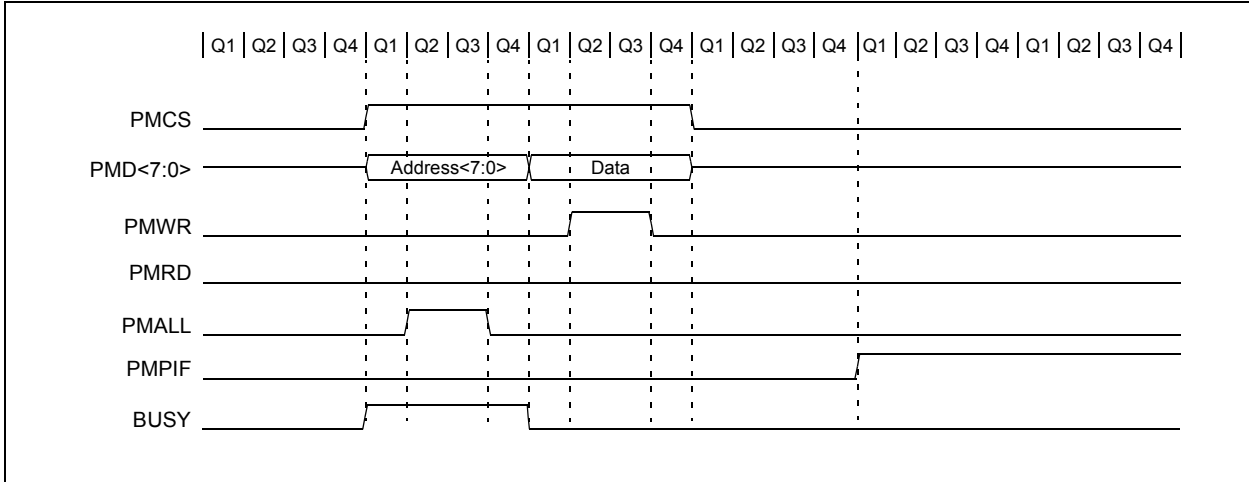


**FIGURE 11-14: READ TIMING, 8-BIT DATA, WAIT STATES ENABLED, PARTIALLY MULTIPLEXED ADDRESS**

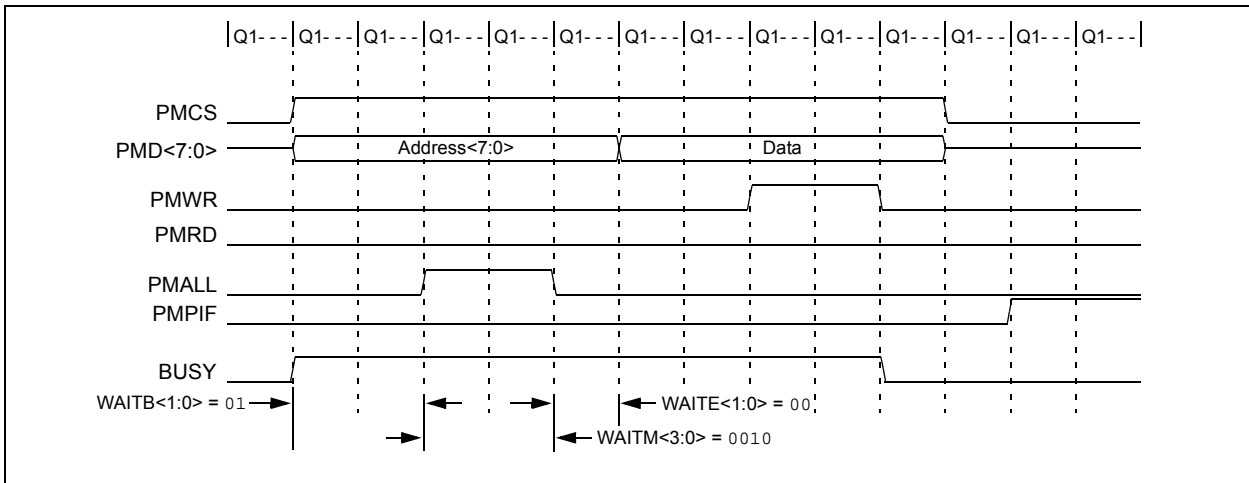


# PIC18F46J50 FAMILY

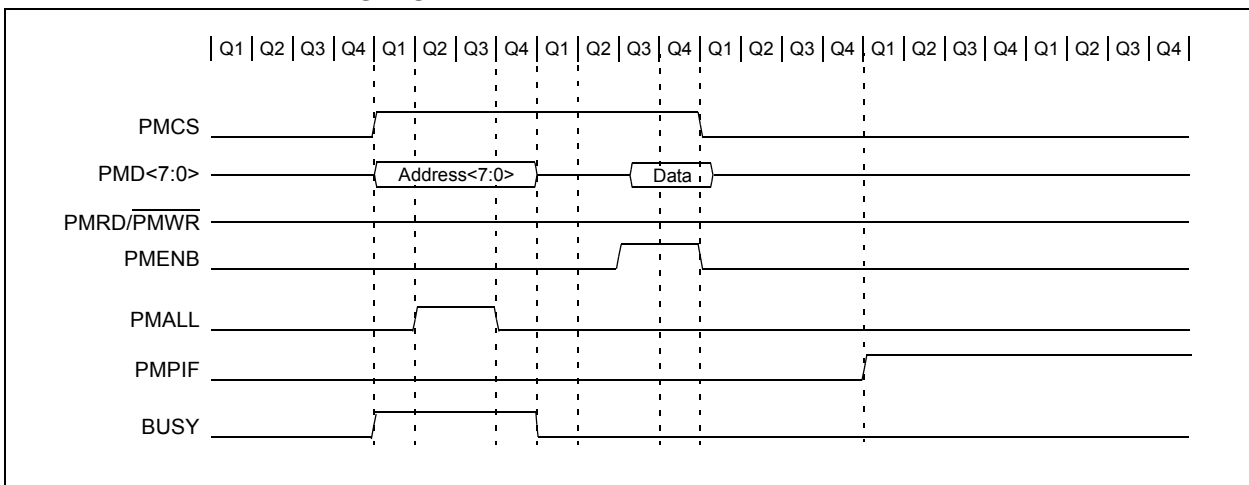
**FIGURE 11-15: WRITE TIMING, 8-BIT DATA, PARTIALLY MULTIPLEXED ADDRESS**



**FIGURE 11-16: WRITE TIMING, 8-BIT DATA, WAIT STATES ENABLED, PARTIALLY MULTIPLEXED ADDRESS**



**FIGURE 11-17: READ TIMING, 8-BIT DATA, PARTIALLY MULTIPLEXED ADDRESS, ENABLE STROBE**



# PIC18F46J50 FAMILY

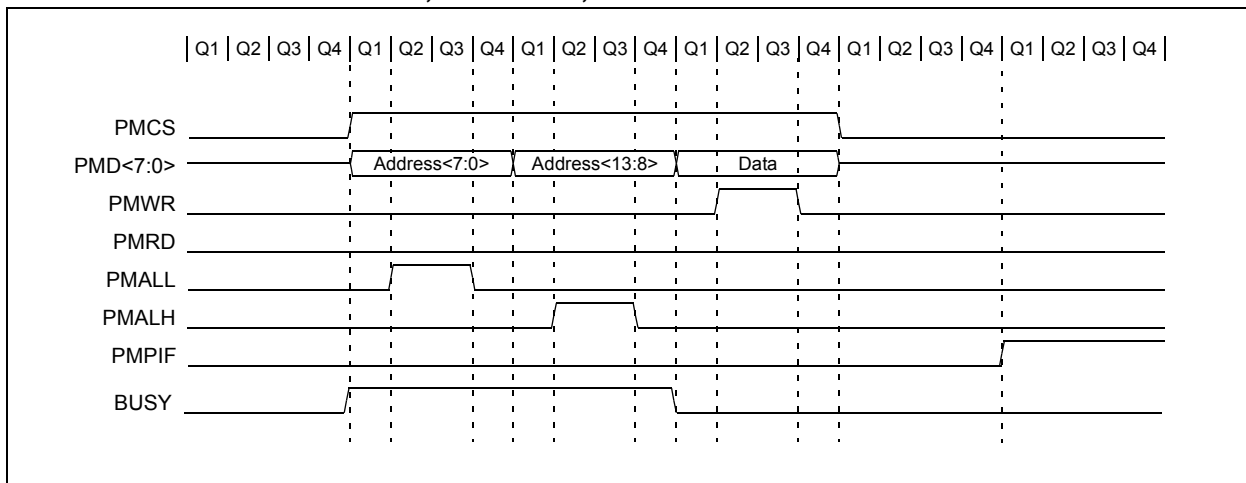
**FIGURE 11-18: WRITE TIMING, 8-BIT DATA, PARTIALLY MULTIPLEXED ADDRESS, ENABLE STROBE**



**FIGURE 11-19: READ TIMING, 8-BIT DATA, FULLY MULTIPLEXED 16-BIT ADDRESS**



**FIGURE 11-20: WRITE TIMING, 8-BIT DATA, FULLY MULTIPLEXED 16-BIT ADDRESS**



# PIC18F46J50 FAMILY

**FIGURE 11-21: READ TIMING, 16-BIT DATA, DEMULTIPLEXED ADDRESS**



**FIGURE 11-22: WRITE TIMING, 16-BIT DATA, DEMULTIPLEXED ADDRESS**



**FIGURE 11-23: READ TIMING, 16-BIT MULTIPLEXED DATA, PARTIALLY MULTIPLEXED ADDRESS**



# PIC18F46J50 FAMILY

**FIGURE 11-24: WRITE TIMING, 16-BIT MULTIPLEXED DATA, PARTIALLY MULTIPLEXED ADDRESS**



**FIGURE 11-25: READ TIMING, 16-BIT MULTIPLEXED DATA, FULLY MULTIPLEXED 16-BIT ADDRESS**



**FIGURE 11-26: WRITE TIMING, 16-BIT MULTIPLEXED DATA, FULLY MULTIPLEXED 16-BIT ADDRESS**



# PIC18F46J50 FAMILY

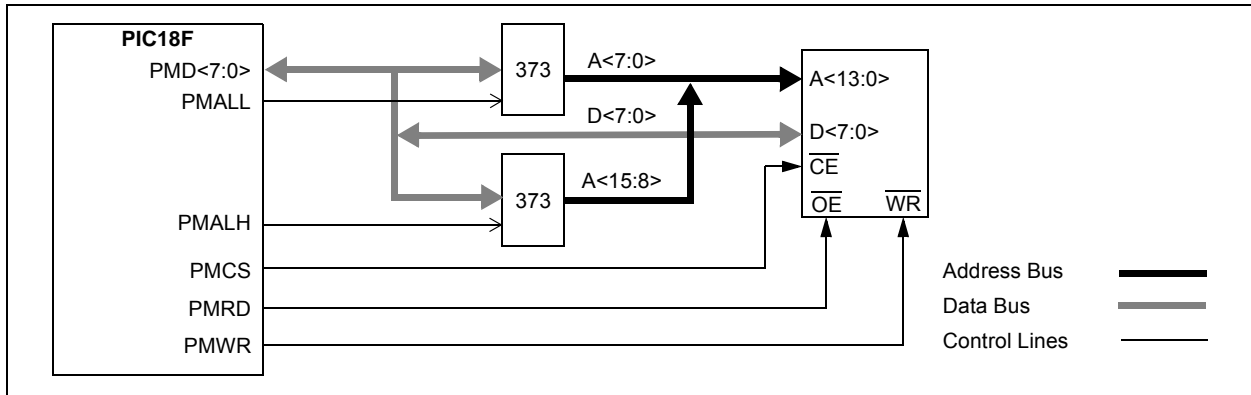
## 11.4 Application Examples

This section introduces some potential applications for the PMP module.

### 11.4.1 MULTIPLEXED MEMORY OR PERIPHERAL

Figure 11-27 demonstrates the hookup of a memory or another addressable peripheral in Full Multiplex mode. Consequently, this mode achieves the best pin saving from the microcontroller perspective. However, for this configuration, there needs to be some external latches to maintain the address.

**FIGURE 11-27: MULTIPLEXED ADDRESSING APPLICATION EXAMPLE**

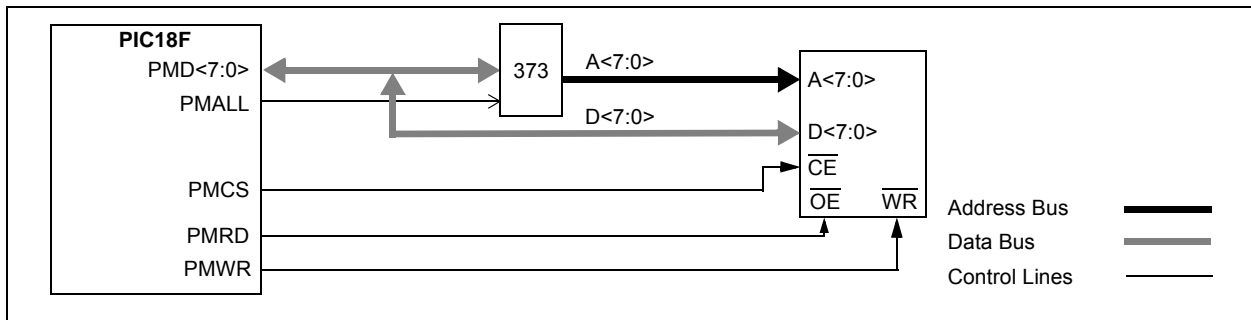


### 11.4.2 PARTIALLY MULTIPLEXED MEMORY OR PERIPHERAL

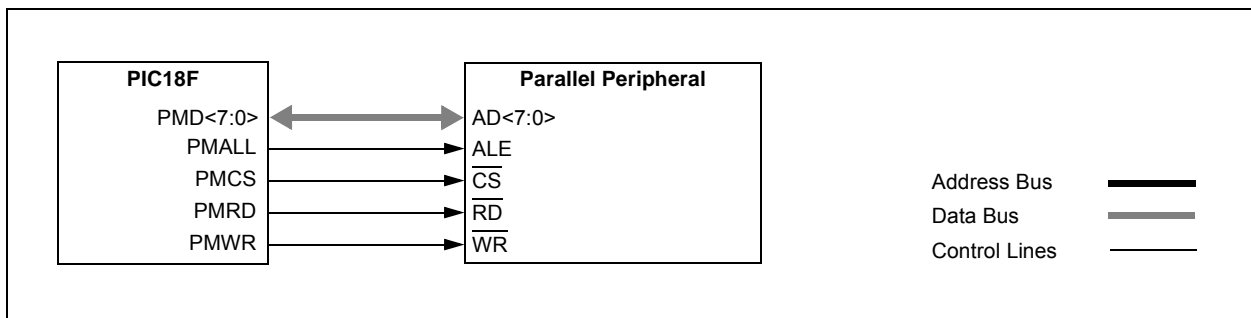
Partial multiplexing implies using more pins; however, for a few extra pins, some extra performance can be achieved. Figure 11-28 provides an example of a memory or peripheral that is partially multiplexed with

an external latch. If the peripheral has internal latches, as displayed in Figure 11-29, then no extra circuitry is required except for the peripheral itself.

**FIGURE 11-28: EXAMPLE OF A PARTIALLY MULTIPLEXED ADDRESSING APPLICATION**



**FIGURE 11-29: EXAMPLE OF AN 8-BIT MULTIPLEXED ADDRESS AND DATA APPLICATION**



# PIC18F46J50 FAMILY

## 11.4.3 PARALLEL EEPROM EXAMPLE

Figure 11-30 provides an example connecting parallel EEPROM to the PMP. Figure 11-31 demonstrates a slight variation to this, configuring the connection for 16-bit data from a single EEPROM.

**FIGURE 11-30: PARALLEL EEPROM EXAMPLE (UP TO 15-BIT ADDRESS, 8-BIT DATA)**



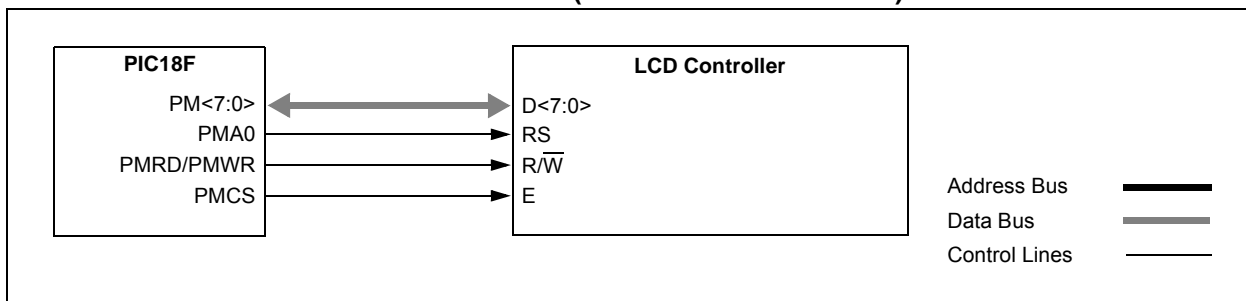
**FIGURE 11-31: PARALLEL EEPROM EXAMPLE (UP TO 15-BIT ADDRESS, 16-BIT DATA)**



## 11.4.4 LCD CONTROLLER EXAMPLE

The PMP module can be configured to connect to a typical LCD controller interface, as displayed in Figure 11-32. In this case the PMP module is configured for active-high control signals, since common LCD displays require active-high control.

**FIGURE 11-32: LCD CONTROL EXAMPLE (BYTE MODE OPERATION)**





# PIC18F46J50 FAMILY

**TABLE 11-2: REGISTERS ASSOCIATED WITH PMP MODULE**

| Name                       | Bit 7                                       | Bit 6     | Bit 5                                  | Bit 4   | Bit 3   | Bit 2     | Bit 1     | Bit 0  | Reset Values on Page: |
|----------------------------|---|-----------|--|---------|---------|-----------|-----------|--------|-----------------------|
| INTCON                     | GIE/GIEH                                    | PEIE/GIEL | TMR0IE                                 | INT0IE  | RBIE    | TMR0IF    | INT0IF    | RBIF   | 69                    |
| PIR1                       | PMPIF <sup>(2)</sup>                        | ADIF      | RC1IF                                  | TX1IF   | SSP1IF  | CCP1IF    | TMR2IF    | TMR1IF | 72                    |
| PIE1                       | PMPIE <sup>(2)</sup>                        | ADIE      | RC1IE                                  | TX1IE   | SSP1IE  | CCP1IE    | TMR2IE    | TMR1IE | 72                    |
| IPR1                       | PMPIP <sup>(2)</sup>                        | ADIP      | RC1IP                                  | TX1IP   | SSP1IP  | CCP1IP    | TMR2IP    | TMR1IP | 72                    |
| PMCONH <sup>(2)</sup>      | PMPEN                                       | —         | —                                      | ADRMUX1 | ADRMUX0 | PTBEEN    | PTWREN    | PTRDEN | 74                    |
| PMCONL <sup>(2)</sup>      | CSF1  | CSF0      | ALP                                    | —       | CS1P    | BEP       | WRSP      | RDSP   | 74                    |
| PMADDRH <sup>(1,2)</sup> / | —   | CS1       | Parallel Master Port Address High Byte |         |         |           |           |        | 73                    |
| PMDOUT1H <sup>(1,2)</sup>  | Parallel Port Out Data High Byte (Buffer 1) |           |  |         |         |           |           |        | 73                    |
| PMADDRL <sup>(1,2)</sup> / | Parallel Master Port Address Low Byte       |           |  |         |         |           |           |        | 73                    |
| PMDOUT1L <sup>(1,2)</sup>  | Parallel Port Out Data Low Byte (Buffer 0)  |           |  |         |         |           |           |        | 73                    |
| PMDOUT2H <sup>(2)</sup>    | Parallel Port Out Data High Byte (Buffer 3) |           |  |         |         |           |           |        | 74                    |
| PMDOUT2L <sup>(2)</sup>    | Parallel Port Out Data Low Byte (Buffer 2)  |           |  |         |         |           |           |        | 74                    |
| PMDIN1H <sup>(2)</sup>     | Parallel Port In Data High Byte (Buffer 1)  |           |  |         |         |           |           |        | 73                    |
| PMDIN1L <sup>(2)</sup>     | Parallel Port In Data Low Byte (Buffer 0)   |           |  |         |         |           |           |        | 73                    |
| PMDIN2H <sup>(2)</sup>     | Parallel Port In Data High Byte (Buffer 3)  |           |  |         |         |           |           |        | 74                    |
| PMDIN2L <sup>(2)</sup>     | Parallel Port In Data Low Byte (Buffer 2)   |           |  |         |         |           |           |        | 74                    |
| PMMODEH <sup>(2)</sup>     | BUSY  | IRQM1     | IRQM0                                  | INCM1   | INCM0   | MODE16    | MODE1     | MODE0  | 74                    |
| PMMODEL <sup>(2)</sup>     | WAITB1                                      | WAITB0    | WAITM3                                 | WAITM2  | WAITM1  | WAITM0    | WAITE1    | WAITE0 | 74                    |
| PMEH <sup>(2)</sup>        | —   | PTEN14    | —                                      | —       | —       | —         | —         | —      | 74                    |
| PMEL <sup>(2)</sup>        | PTEN7                                       | PTEN6     | PTEN5                                  | PTEN4   | PTEN3   | PTEN2     | PTEN1     | PTEN0  | 74                    |
| PMSTATH <sup>(2)</sup>     | IBF   | IBOV      | —                                      | —       | IB3F    | IB2F      | IB1F      | IB0F   | 74                    |
| PMSTATL <sup>(2)</sup>     | OBE   | OBUF      | —                                      | —       | OB3E    | OB2E      | OB1E      | OB0E   | 74                    |
| PADCFG1                    | —   | —         | —                                      | —       | —       | RTSECSEL1 | RTSECSEL0 | PMPTTL | 74                    |

**Legend:** — = unimplemented, read as '0'. Shaded cells are not used during PMP operation.

**Note 1:** The PMADDRH/PMDOUT1H and PMADDRL/PMDOUT1L register pairs share the physical registers and addresses, but have different functions, determined by the module's operating mode.

**2:** These bits and/or registers are only available on 44-pin devices.

# PIC18F46J50 FAMILY

---

NOTES:

# PIC18F46J50 FAMILY

## 12.0 TIMER0 MODULE

The Timer0 module incorporates the following features:

- Software-selectable operation as a timer or counter in both 8-bit or 16-bit modes
- Readable and writable registers
- Dedicated 8-bit, software-programmable prescaler
- Selectable clock source (internal or external)
- Edge select for external clock
- Interrupt-on-overflow

The T0CON register ([Register 12-1](#)) controls all aspects of the module's operation, including the prescale selection. It is both readable and writable.

[Figure 12-1](#) provides a simplified block diagram of the Timer0 module in 8-bit mode. [Figure 12-2](#) provides a simplified block diagram of the Timer0 module in 16-bit mode.

**REGISTER 12-1: T0CON: TIMER0 CONTROL REGISTER (ACCESS FD5h)**

| R/W-1  | R/W-1  | R/W-1 | R/W-1 | R/W-1 | R/W-1 | R/W-1 | R/W-1 |
|--------|--------|-------|-------|-------|-------|-------|-------|
| TMR0ON | T08BIT | T0CS  | T0SE  | PSA   | T0PS2 | T0PS1 | T0PS0 |
| bit 7  |        |       |       |       |       |       | bit 0 |

**Legend:**

R = Readable bit

W = Writable bit

U = Unimplemented bit, read as '0'

-n = Value at POR

'1' = Bit is set

'0' = Bit is cleared

x = Bit is unknown

- bit 7      **TMR0ON:** Timer0 On/Off Control bit  
           1 = Enables Timer0  
           0 = Stops Timer0
- bit 6      **T08BIT:** Timer0 8-Bit/16-Bit Control bit  
           1 = Timer0 is configured as an 8-bit timer/counter  
           0 = Timer0 is configured as a 16-bit timer/counter
- bit 5      **T0CS:** Timer0 Clock Source Select bit  
           1 = Transition on T0CKI pin input edge (set by T0SE)  
           0 = Internal clock (Fosc/4)
- bit 4      **T0SE:** Timer0 Source Edge Select bit  
           1 = Increment on high-to-low transition on T0CKI pin  
           0 = Increment on low-to-high transition on T0CKI pin
- bit 3      **PSA:** Timer0 Prescaler Assignment bit  
           1 = Timer0 prescaler is not assigned. Timer0 clock input bypasses prescaler.  
           0 = Timer0 prescaler is assigned. Timer0 clock input comes from prescaler output.
- bit 2-0    **T0PS<2:0>:** Timer0 Prescaler Select bits  
           111 = 1:256 Prescale value  
           110 = 1:128 Prescale value  
           101 = 1:64 Prescale value  
           100 = 1:32 Prescale value  
           011 = 1:16 Prescale value  
           010 = 1:8 Prescale value  
           001 = 1:4 Prescale value  
           000 = 1:2 Prescale value

# PIC18F46J50 FAMILY

## 12.1 Timer0 Operation

Timer0 can operate as either a timer or a counter. The mode is selected with the T0CS bit (T0CON<5>). In Timer mode (T0CS = 0), the module increments on every clock by default unless a different prescaler value is selected (see [Section 12.3 “Prescaler”](#)). If the TMR0 register is written to, the increment is inhibited for the following two instruction cycles. The user can work around this by writing an adjusted value to the TMR0 register.

The Counter mode is selected by setting the T0CS bit (= 1). In this mode, Timer0 increments either on every rising edge or falling edge of pin, T0CKI. The incrementing edge is determined by the Timer0 Source Edge Select bit, T0SE (T0CON<4>); clearing this bit selects the rising edge. Restrictions on the external clock input are discussed below.

An external clock source can be used to drive Timer0; however, it must meet certain requirements to ensure that the external clock can be synchronized with the

internal phase clock (Tosc). There is a delay between synchronization and the onset of incrementing the timer/counter.

## 12.2 Timer0 Reads and Writes in 16-Bit Mode

TMR0H is not the actual high byte of Timer0 in 16-bit mode. It is actually a buffered version of the real high byte of Timer0, which is not directly readable nor writable (refer to [Figure 12-2](#)). TMR0H is updated with the contents of the high byte of Timer0 during a read of TMR0L. This provides the ability to read all 16 bits of Timer0 without having to verify that the read of the high and low byte were valid, due to a rollover between successive reads of the high and low byte.

Similarly, a write to the high byte of Timer0 must also take place through the TMR0H Buffer register. The high byte is updated with the contents of TMR0H when a write occurs to TMR0L. This allows all 16 bits of Timer0 to be updated at once.

**FIGURE 12-1: TIMER0 BLOCK DIAGRAM (8-BIT MODE)**



**FIGURE 12-2: TIMER0 BLOCK DIAGRAM (16-BIT MODE)**



# PIC18F46J50 FAMILY

## 12.3 Prescaler

An 8-bit counter is available as a prescaler for the Timer0 module. The prescaler is not directly readable or writable. Its value is set by the PSA and T0PS<2:0> bits (T0CON<3:0>), which determine the prescaler assignment and prescale ratio.

Clearing the PSA bit assigns the prescaler to the Timer0 module. When it is assigned, prescale values from 1:2 through 1:256, in power-of-2 increments, are selectable.

When assigned to the Timer0 module, all instructions writing to the TMR0 register (e.g., `CLRF TMR0`, `MOVWF TMR0`, `BSF TMR0`, etc.) clear the prescaler count.

**Note:** Writing to TMR0 when the prescaler is assigned to Timer0 will clear the prescaler count but will not change the prescaler assignment.

### 12.3.1 SWITCHING PRESCALER ASSIGNMENT

The prescaler assignment is fully under software control and can be changed “on-the-fly” during program execution.

## 12.4 Timer0 Interrupt

The TMR0 interrupt is generated when the TMR0 register overflows from FFh to 00h in 8-bit mode, or from FFFFh to 0000h in 16-bit mode. This overflow sets the TMR0IF flag bit. The interrupt can be masked by clearing the TMR0IE bit (INTCON<5>). Before re-enabling the interrupt, the TMR0IF bit must be cleared in software by the Interrupt Service Routine (ISR).

Since Timer0 is shutdown in Sleep mode, the TMR0 interrupt cannot awaken the processor from Sleep.

**TABLE 12-1: REGISTERS ASSOCIATED WITH TIMER0**

| Name   | Bit 7                     | Bit 6     | Bit 5  | Bit 4  | Bit 3 | Bit 2  | Bit 1  | Bit 0 | Reset Values on Page: |
|--------|---------------------------|-----------|--------|--------|-------|--------|--------|-------|-----------------------|
| TMR0L  | Timer0 Register Low Byte  |           |        |        |       |        |        |       | 90                    |
| TMR0H  | Timer0 Register High Byte |           |        |        |       |        |        |       | 90                    |
| INTCON | GIE/GIEH                  | PEIE/GIEL | TMR0IE | INT0IE | RBIE  | TMR0IF | INT0IF | RBIF  | 90                    |
| T0CON  | TMR0ON                    | T08BIT    | T0CS   | T0SE   | PSA   | T0PS2  | T0PS1  | T0PS0 | 90                    |

**Legend:** — = unimplemented, read as ‘0’. Shaded cells are not used by Timer0.

# PIC18F46J50 FAMILY

---

NOTES:

# PIC18F46J50 FAMILY

## 13.0 TIMER1 MODULE

The Timer1 timer/counter module incorporates these features:

- Software-selectable operation as a 16-bit timer or counter
- Readable and writable 8-bit registers (TMR1H and TMR1L)
- Selectable clock source (internal or external) with device clock or Timer1 oscillator internal options
- Interrupt-on-overflow
- Reset on ECCP Special Event Trigger
- Device clock status flag (T1RUN)
- Timer with gated control

Figure 13-1 displays a simplified block diagram of the Timer1 module.

The module incorporates its own low-power oscillator to provide an additional clocking option. The Timer1 oscillator can also be used as a low-power clock source for the microcontroller in power-managed operation.

Timer1 is controlled through the T1CON Control register (Register 13-1). It also contains the Timer1 Oscillator Enable bit (T1OSCEN). Timer1 can be enabled or disabled by setting or clearing control bit, TMR1ON (T1CON<0>).

The Fosc clock source (TMR1CS<1:0> = 01) should not be used with the ECCP capture/compare features. If the timer will be used with the capture or compare features, always select one of the other timer clocking options.

### REGISTER 13-1: T1CON: TIMER1 CONTROL REGISTER (ACCESS FCDh)

|         |         |         |         |         |        |       |        |
|---------|---------|---------|---------|---------|--------|-------|--------|
| R/W-0   | R/W-0   | R/W-0   | R/W-0   | R/W-0   | R/W-0  | R/W-0 | R/W-0  |
| TMR1CS1 | TMR1CS0 | T1CKPS1 | T1CKPS0 | T1OSCEN | T1SYNC | RD16  | TMR1ON |
| bit 7   |         |         |         |         |        | bit 0 |        |

#### Legend:

|                   |                  |                                    |
|-------------------|------------------|------------------------------------|
| R = Readable bit  | W = Writable bit | U = Unimplemented bit, read as '0' |
| -n = Value at POR | '1' = Bit is set | '0' = Bit is cleared               |
|                   |                  | x = Bit is unknown                 |

- bit 7-6 **TMR1CS<1:0>**: Timer1 Clock Source Select bits  
 10 = Timer1 clock source is the T1OSC or T1CKI pin  
 01 = Timer1 clock source is the system clock (Fosc)<sup>(1)</sup>  
 00 = Timer1 clock source is the instruction clock (Fosc/4)
- bit 5-4 **T1CKPS<1:0>**: Timer1 Input Clock Prescale Select bits  
 11 = 1:8 Prescale value  
 10 = 1:4 Prescale value  
 01 = 1:2 Prescale value  
 00 = 1:1 Prescale value
- bit 3 **T1OSCEN**: Timer1 Oscillator Source Select bit  
When TMR1CS<1:0> = 10:  
 1 = Power up the Timer1 crystal driver and supply the Timer1 clock from the crystal output  
 0 = Timer1 crystal driver is off, Timer1 clock is from the T1CKI input pin<sup>(2)</sup>  
When TMR1CS<1:0> = 0x:  
 1 = Power up the Timer1 crystal driver  
 0 = Timer1 crystal driver is off<sup>(2)</sup>
- bit 2 **T1SYNC**: Timer1 External Clock Input Synchronization Select bit  
TMR1CS<1:0> = 10:  
 1 = Do not synchronize external clock input  
 0 = Synchronize external clock input  
TMR1CS<1:0> = 0x:  
 This bit is ignored. Timer1 uses the internal clock when TMR1CS<1:0> = 0x.

- Note 1:** The Fosc clock source should not be selected if the timer will be used with the ECCP capture/compare features.
- 2:** The Timer1 oscillator crystal driver is powered whenever T1OSCEN (T1CON) or T3OSCEN (T3CON) = 1. The circuit is enabled by the logical OR of these two bits. When disabled, the inverter and feedback resistor are disabled to eliminate power drain. The TMR1ON and TMR3ON bits do not have to be enabled to power up the crystal driver.

# PIC18F46J50 FAMILY

---

## REGISTER 13-1: T1CON: TIMER1 CONTROL REGISTER (ACCESS FCDh) (CONTINUED)

bit 1      **RD16:** 16-Bit Read/Write Mode Enable bit  
1 = Enables register read/write of Timer1 in one 16-bit operation  
0 = Enables register read/write of Timer1 in two 8-bit operations

bit 0      **TMR1ON:** Timer1 On bit  
1 = Enables Timer1  
0 = Stops Timer1

**Note 1:** The FOSC clock source should not be selected if the timer will be used with the ECCP capture/compare features.

**2:** The Timer1 oscillator crystal driver is powered whenever T1OSCEN (T1CON) or T3OSCEN (T3CON) = 1. The circuit is enabled by the logical OR of these two bits. When disabled, the inverter and feedback resistor are disabled to eliminate power drain. The TMR1ON and TMR3ON bits do not have to be enabled to power up the crystal driver.



# PIC18F46J50 FAMILY

## 13.1 Timer1 Gate Control Register

The Timer1 Gate Control register (T1GCON), displayed in [Register 13-2](#), is used to control the Timer1 gate.

**REGISTER 13-2: T1GCON: TIMER1 GATE CONTROL REGISTER (ACCESS F9Ah)<sup>(1)</sup>**

|        |        |       |        |              |        |        |        |
|--------|--------|-------|--------|--------------|--------|--------|--------|
| R/W-0  | R/W-0  | R/W-0 | R/W-0  | R/W-0        | R-x    | R/W-0  | R/W-0  |
| TMR1GE | T1GPOL | T1GTM | T1GSPM | T1GGO/T1DONE | T1GVAL | T1GSS1 | T1GSS0 |
| bit 7  |        |       |        |              |        |        | bit 0  |

**Legend:**

|                   |                  |                                    |
|-------------------|------------------|------------------------------------|
| R = Readable bit  | W = Writable bit | U = Unimplemented bit, read as '0' |
| -n = Value at POR | '1' = Bit is set | '0' = Bit is cleared               |
|                   |                  | x = Bit is unknown                 |

- bit 7 **TMR1GE:** Timer1 Gate Enable bit  
If TMR1ON = 0:  
 This bit is ignored.  
If TMR1ON = 1:  
 1 = Timer1 counting is controlled by the Timer1 gate function  
 0 = Timer1 counts regardless of the Timer1 gate function
- bit 6 **T1GPOL:** Timer1 Gate Polarity bit  
 1 = Timer1 gate is active-high (Timer1 counts when gate is high)  
 0 = Timer1 gate is active-low (Timer1 counts when gate is low)
- bit 5 **T1GTM:** Timer1 Gate Toggle Mode bit  
 1 = Timer1 Gate Toggle mode is enabled  
 0 = Timer1 Gate Toggle mode is disabled and toggle flip-flop is cleared  
 Timer1 gate flip-flop toggles on every rising edge.
- bit 4 **T1GSPM:** Timer1 Gate Single Pulse Mode bit  
 1 = Timer1 Gate Single Pulse mode is enabled and is controlling Timer1 gate  
 0 = Timer1 Gate Single Pulse mode is disabled
- bit 3 **T1GGO/T1DONE:** Timer1 Gate Single Pulse Acquisition Status bit  
 1 = Timer1 gate single pulse acquisition is ready, waiting for an edge  
 0 = Timer1 gate single pulse acquisition has completed or has not been started  
 This bit is automatically cleared when T1GSPM is cleared.
- bit 2 **T1GVAL:** Timer1 Gate Current State bit  
 Indicates the current state of the Timer1 gate that could be provided to TMR1H:TMR1L; unaffected by Timer1 Gate Enable (TMR1GE) bit.
- bit 1-0 **T1GSS<1:0>:** Timer1 Gate Source Select bits  
 00 = Timer1 gate pin  
 01 = Timer0 overflow output  
 10 = TMR2 to match PR2 output

**Note 1:** Programming the T1GCON prior to T1CON is recommended.

# PIC18F46J50 FAMILY

## REGISTER 13-3: TCLKCON: TIMER CLOCK CONTROL REGISTER (BANKED F52h)

|       |     |     |       |     |     |        |        |
|-------|-----|-----|-------|-----|-----|--------|--------|
| U-0   | U-0 | U-0 | R-0   | U-0 | U-0 | R/W-0  | R/W-0  |
| —     | —   | —   | T1RUN | —   | —   | T3CCP2 | T3CCP1 |
| bit 7 |     |     |       |     |     | bit 0  |        |

### Legend:

R = Readable bit                      W = Writable bit                      U = Unimplemented bit, read as '0'  
 -n = Value at POR                      '1' = Bit is set                      '0' = Bit is cleared                      x = Bit is unknown

bit 7-5                      **Unimplemented:** Read as '0'

bit 4                      **T1RUN:** Timer1 Run Status bit

1 = Device is currently clocked by T1OSC/T1CKI

0 = System clock comes from an oscillator other than T1OSC/T1CKI

bit 3-2                      **Unimplemented:** Read as '0'

bit 1-0                      **T3CCP<2:1>:** ECCP Timer Assignment bits

10 = ECCP1 and ECCP2 both use Timer3 (capture/compare) and Timer4 (PWM)

01 = ECCP1 uses Timer1 (compare/capture) and Timer2 (PWM); ECCP2 uses Timer3 (capture/compare) and Timer4 (PWM)

00 = ECCP1 and ECCP2 both use Timer1 (capture/compare) and Timer2 (PWM)

## 13.2 Timer1 Operation

The Timer1 module is an 8-bit or 16-bit incrementing counter, which is accessed through the TMR1H:TMR1L register pair.

When used with an internal clock source, the module is a timer and increments on every instruction cycle. When used with an external clock source, the module can be used as either a timer or counter and increments on every selected edge of the external source.

Timer1 is enabled by configuring the TMR1ON and TMR1GE bits in the T1CON and T1GCON registers, respectively.

When Timer1 is enabled, the RC1/T1OSI/ $\overline{\text{UOE}}$ /RP12 and RC0/T1OSO/T1CKI/RP11 pins become inputs. This means the values of TRISC<1:0> are ignored and the pins are read as '0'.

## 13.3 Clock Source Selection

The TMR1CS<1:0> and T1OSCEN bits of the T1CON register are used to select the clock source for Timer1. [Register 13-1](#) displays the clock source selections.

### 13.3.1 INTERNAL CLOCK SOURCE

When the internal clock source is selected, the TMR1H:TMR1L register pair will increment on multiples of Fosc as determined by the Timer1 prescaler.

### 13.3.2 EXTERNAL CLOCK SOURCE

When the external clock source is selected, the Timer1 module may work as a timer or a counter.

When enabled to count, Timer1 is incremented on the rising edge of the external clock input, T1CKI, or the capacitive sensing oscillator signal. Either of these external clock sources can be synchronized to the microcontroller system clock or they can run asynchronously.

When used as a timer with a clock oscillator, an external 32.768 kHz crystal can be used in conjunction with the dedicated internal oscillator circuit.

**Note:** In Counter mode, a falling edge must be registered by the counter prior to the first incrementing rising edge after any one or more of the following conditions:

- Timer1 is enabled after a POR
- Write to TMR1H or TMR1L
- Timer1 is disabled
- Timer1 is disabled (TMR1ON = 0)

when T1CKI is high, then Timer1 is enabled (TMR1ON = 1) when T1CKI is low.

**TABLE 13-1: TIMER1 CLOCK SOURCE SELECTION**

| TMR1CS1 | TMR1CS0 | T1OSCEN | Clock Source                          |
|---------|---------|---------|---------------------------------------|
| 0       | 1       | x       | Clock Source (Fosc)                   |
| 0       | 0       | x       | Instruction Clock (Fosc/4)            |
| 1       | 0       | 0       | External Clock on T1CKI Pin           |
| 1       | 0       | 1       | Oscillator Circuit on T1OSI/T1OSO Pin |

# PIC18F46J50 FAMILY

**FIGURE 13-1: TIMER1 BLOCK DIAGRAM**



## 13.4 Timer1 16-Bit Read/Write Mode

Timer1 can be configured for 16-bit reads and writes. When the RD16 control bit (T1CON<1>) is set, the address for TMR1H is mapped to a buffer register for the high byte of Timer1. A read from TMR1L loads the contents of the high byte of Timer1 into the Timer1 High Byte Buffer register. This provides the user with the ability to accurately read all 16 bits of Timer1 without having to determine whether a read of the high byte, followed by a read of the low byte, has become invalid due to a rollover between reads.

A write to the high byte of Timer1 must also take place through the TMR1H Buffer register. The Timer1 high byte is updated with the contents of TMR1H when a write occurs to TMR1L. This allows a user to write all 16 bits to both the high and low bytes of Timer1 at once.

The high byte of Timer1 is not directly readable or writable in this mode. All reads and writes must take place through the Timer1 High Byte Buffer register. Writes to TMR1H do not clear the Timer1 prescaler. The prescaler is only cleared on writes to TMR1L.

## 13.5 Timer1 Oscillator

An on-chip crystal oscillator circuit is incorporated between pins, T1OSI (input) and T1OSO (amplifier output). It is enabled by setting the Timer1 Oscillator Enable bit, T1OSCEN (T1CON<3>). The oscillator is a low-power circuit rated for 32 kHz crystals. It will continue to run during all power-managed modes. The circuit for a typical LP oscillator is depicted in Figure 13-2. Table 13-2 provides the capacitor selection for the Timer1 oscillator.

The user must provide a software time delay to ensure proper start-up of the Timer1 oscillator.

**FIGURE 13-2: EXTERNAL COMPONENTS FOR THE TIMER1 LP OSCILLATOR**



**TABLE 13-2: CAPACITOR SELECTION FOR THE TIMER OSCILLATOR<sup>(2,3,4,5)</sup>**

| Oscillator Type | Freq.  | C1                   | C2                   |
|-----------------|--------|----------------------|----------------------|
| LP              | 32 kHz | 12 pF <sup>(1)</sup> | 12 pF <sup>(1)</sup> |

**Note 1:** Microchip suggests these values as a starting point in validating the oscillator circuit.

**2:** Higher capacitance increases the stability of the oscillator but also increases the start-up time.

**3:** Since each resonator/crystal has its own characteristics, the user should consult the resonator/crystal manufacturer for appropriate values of external components.

**4:** Capacitor values are for design guidance only. Values listed would be typical of a  $C_L = 10$  pF rated crystal when  $LPT1OSC = 1$ .

**5:** Incorrect capacitance value may result in a frequency not meeting the crystal manufacturer's tolerance specification.

The Timer1 crystal oscillator drive level is determined based on the LPT1OSC (CONFIG2L<4>) Configuration bit. The Higher Drive Level mode,  $LPT1OSC = 1$ , is intended to drive a wide variety of 32.768 kHz crystals with a variety of load capacitance ( $C_L$ ) ratings.

The Lower Drive Level mode is highly optimized for extremely low-power consumption. It is not intended to drive all types of 32.768 kHz crystals. In the Low Drive Level mode, the crystal oscillator circuit may not work correctly if excessively large discrete capacitors are placed on the T1OSI and T1OSO pins. This mode is only designed to work with discrete capacitances of approximately 3 pF-10 pF on each pin.

Crystal manufacturers usually specify a  $C_L$  (load capacitance) rating for their crystals. This value is related to, but not necessarily the same as, the values that should be used for C1 and C2 in Figure 13-2. See the crystal manufacturer's applications information for more details on how to select the optimum C1 and C2 for a given crystal. The optimum value depends in part on the amount of parasitic capacitance in the circuit, which is often unknown. Therefore, after values have been selected, it is highly recommended that thorough testing and validation of the oscillator be performed.

# PIC18F46J50 FAMILY

## 13.5.1 USING TIMER1 AS A CLOCK SOURCE

The Timer1 oscillator is also available as a clock source in power-managed modes. By setting the clock select bits,  $SCS<1:0>$  ( $OSCCON<1:0>$ ), to '01', the device switches to SEC\_RUN mode; both the CPU and peripherals are clocked from the Timer1 oscillator. If the IDLEN bit ( $OSCCON<7>$ ) is cleared and a SLEEP instruction is executed, the device enters SEC\_IDLE mode. Additional details are available in [Section 4.0 "Low-Power Modes"](#).

Whenever the Timer1 oscillator is providing the clock source, the Timer1 system clock status flag, T1RUN ( $TCLKCON<4>$ ), is set. This can be used to determine the controller's current clocking mode. It can also indicate the clock source currently being used by the Fail-Safe Clock Monitor. If the Clock Monitor is enabled and the Timer1 oscillator fails while providing the clock, polling the T1RUN bit will indicate whether the clock is being provided by the Timer1 oscillator or another source.

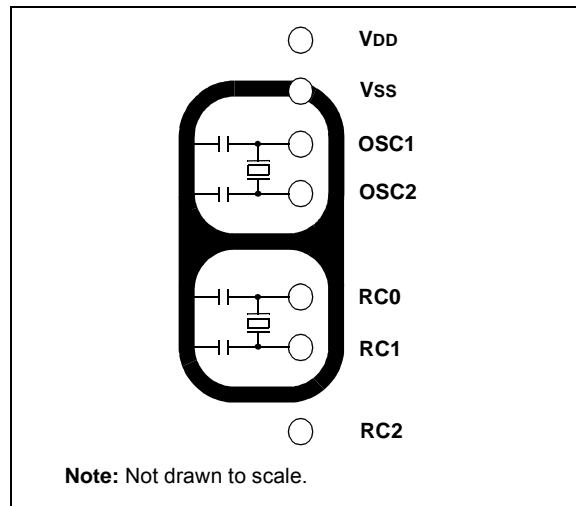
## 13.5.2 TIMER1 OSCILLATOR LAYOUT CONSIDERATIONS

The Timer1 oscillator circuit draws very little power during operation. Due to the low-power nature of the oscillator, it may also be sensitive to rapidly changing signals in close proximity. This is especially true when the oscillator is configured for extremely Low-Power mode ( $LPT1OSC = 0$ ).

The oscillator circuit, displayed in [Figure 13-2](#), should be located as close as possible to the microcontroller. There should be no circuits passing within the oscillator circuit boundaries other than VSS or VDD.

If a high-speed circuit must be located near the oscillator (such as the ECCP1 pin in Output Compare or PWM mode, or the primary oscillator using the OSC2 pin), a grounded guard ring around the oscillator circuit, as displayed in [Figure 13-3](#), may be helpful when used on a single-sided PCB or in addition to a ground plane.

**FIGURE 13-3: OSCILLATOR CIRCUIT WITH GROUNDED GUARD RING**



In the Low Drive Level mode,  $LPT1OSC = 0$ , it is critical that the RC2 I/O pin signals be kept away from the oscillator circuit. Configuring RC2 as a digital output, and toggling it, can potentially disturb the oscillator circuit, even with relatively good PCB layout. If possible, it is recommended to either leave RC2 unused, or use it as an input pin with a slew rate limited signal source. If RC2 must be used as a digital output, it may be necessary to use the Higher Drive Level Oscillator mode ( $LPT1OSC = 1$ ) with many PCB layouts. Even in the High Drive Level mode, careful layout procedures should still be followed when designing the oscillator circuit.

In addition to  $dV/dt$  induced noise considerations, it is also important to ensure that the circuit board is clean. Even a very small amount of conductive soldering flux residue can cause PCB leakage currents which can overwhelm the oscillator circuit.

## 13.6 Timer1 Interrupt

The TMR1 register pair (TMR1H:TMR1L) increments from 0000h to FFFFh and rolls over to 0000h. The Timer1 interrupt, if enabled, is generated on overflow which is latched in interrupt flag bit, TMR1IF ( $PIR1<0>$ ). This interrupt can be enabled or disabled by setting or clearing the Timer1 Interrupt Enable bit, TMR1IE ( $PIE1<0>$ ).

## 13.7 Resetting Timer1 Using the ECCP Special Event Trigger

If ECCP1 or ECCP2 is configured to use Timer1 and to generate a Special Event Trigger in Compare mode (CCPxM<3:0> = 1011), this signal will reset Timer3. The trigger from ECCP2 will also start an A/D conversion if the A/D module is enabled (see [Section 18.3.4 “Special Event Trigger”](#) for more information).

The module must be configured as either a timer or a synchronous counter to take advantage of this feature. When used this way, the CCPRxH:CCPRxL register pair effectively becomes a Period register for Timer1.

If Timer1 is running in Asynchronous Counter mode, this Reset operation may not work.

In the event that a write to Timer1 coincides with a Special Event Trigger, the write operation will take precedence.

**Note:** The Special Event Trigger from the ECCPx module will not set the TMR1IF interrupt flag bit (PIR1<0>).

## 13.8 Timer1 Gate

The Timer1 can be configured to count freely or the count can be enabled and disabled using the Timer1 gate circuitry. This is also referred to as Timer1 gate count enable.

Timer1 gate can also be driven by multiple selectable sources.

### 13.8.1 TIMER1 GATE COUNT ENABLE

The Timer1 Gate Enable mode is enabled by setting the TMR1GE bit of the T1GCON register. The polarity of the Timer1 Gate Enable mode is configured using the T1GPOL bit of the T1GCON register.

When Timer1 Gate Enable mode is enabled, Timer1 will increment on the rising edge of the Timer1 clock source. When Timer1 Gate Enable mode is disabled, no incrementing will occur and Timer1 will hold the current count. See [Figure 13-4](#) for timing details.

**TABLE 13-3: TIMER1 GATE ENABLE SELECTIONS**

| T1CLK | T1GPOL | T1G | Timer1 Operation |
|-------|--------|-----|------------------|
| ↑     | 0      | 0   | Counts           |
| ↑     | 0      | 1   | Holds Count      |
| ↑     | 1      | 0   | Holds Count      |
| ↑     | 1      | 1   | Counts           |

**FIGURE 13-4: TIMER1 GATE COUNT ENABLE MODE**



# PIC18F46J50 FAMILY

## 13.8.2 TIMER1 GATE SOURCE SELECTION

The Timer1 gate source can be selected from one of four different sources. Source selection is controlled by the T1GSSx bits of the T1GCON register. The polarity for each available source is also selectable. Polarity selection is controlled by the T1GPOL bit of the T1GCON register.

**TABLE 13-4: TIMER1 GATE SOURCES**

| T1GSS<1:0> | Timer1 Gate Source                                   |
|------------|--|
| 00         | Timer1 Gate Pin                                      |
| 01         | Overflow of Timer0 (TMR0 increments from FFh to 00h) |
| 10         | TMR2 to Match PR2 (TMR2 increments to match PR2)     |

### 13.8.2.1 T1G Pin Gate Operation

The T1G pin is one source for Timer1 gate control. It can be used to supply an external source to the Timer1 gate circuitry.

### 13.8.2.2 Timer0 Overflow Gate Operation

When Timer0 increments from FFh to 00h, a low-to-high pulse will automatically be generated and internally supplied to the Timer1 gate circuitry.

### 13.8.2.3 Timer2 Match Gate Operation

The TMR2 register will increment until it matches the value in the PR2 register. On the very next increment cycle, TMR2 will be reset to 00h. When this Reset occurs, a low-to-high pulse will automatically be generated and internally supplied to the Timer1 gate circuitry.

The pulse remains high for one instruction cycle and returns to low until the next match.

When T1GPOL = 1, Timer1 increments for a single instruction cycle, following TMR2 matching PR2.

With T1GPOL = 0, Timer1 increments, except during the cycle following the match.

## 13.8.3 TIMER1 GATE TOGGLE MODE

When Timer1 Gate Toggle mode is enabled, it is possible to measure the full cycle length of a Timer1 gate signal, as opposed to the duration of a single level pulse.

The Timer1 gate source is routed through a flip-flop that changes state on every incrementing edge of the signal. See Figure 13-5 for timing details.

The T1GVAL bit will indicate when the Toggled mode is active and the timer is counting.

The Timer1 Gate Toggle mode is enabled by setting the T1GTM bit of the T1GCON register. When the T1GTM bit is cleared, the flip-flop is cleared and held clear. This is necessary in order to control which edge is measured.

**FIGURE 13-5: TIMER1 GATE TOGGLE MODE**





## 13.8.4 TIMER1 GATE SINGLE PULSE MODE

When Timer1 Gate Single Pulse mode is enabled, it is possible to capture a single pulse gate event. Timer1 Gate Single Pulse mode is first enabled by setting the T1GSPM bit in the T1GCON register. Next, the T1GGO/T1DONE bit in the T1GCON register must be set. The Timer1 will be fully enabled on the next incrementing edge. On the next trailing edge of the pulse, the T1GGO/T1DONE bit will automatically be cleared. No other gate events will be allowed to increment Timer1 until the T1GGO/T1DONE bit is once again set in software.

Clearing the T1GSPM bit of the T1GCON register will also clear the T1GGO/T1DONE bit. See [Figure 13-6](#) for timing details.

Enabling the Toggle mode and the Single Pulse mode, simultaneously, will permit both sections to work together. This allows the cycle times on the Timer1 gate source to be measured. See [Figure 13-7](#) for timing details.

## 13.8.5 TIMER1 GATE VALUE STATUS

When the Timer1 gate value status is utilized, it is possible to read the most current level of the gate control value. The value is stored in the T1GVAL bit in the T1GCON register. The T1GVAL bit is valid even when the Timer1 gate is not enabled (TMR1GE bit is cleared).

**FIGURE 13-6: TIMER1 GATE SINGLE PULSE MODE**



# PIC18F46J50 FAMILY

**FIGURE 13-7: TIMER1 GATE SINGLE PULSE AND TOGGLE COMBINED MODE**



**TABLE 13-5: REGISTERS ASSOCIATED WITH TIMER1 AS A TIMER/COUNTER**

| Name    | Bit 7                     | Bit 6     | Bit 5   | Bit 4   | Bit 3                         | Bit 2               | Bit 1  | Bit 0  | Reset Values on Page: |
|---------|---------------------------|-----------|---------|---------|-------------------------------|---------------------|--------|--------|-----------------------|
| INTCON  | GIE/GIEH                  | PEIE/GIEL | TMR0IE  | INT0IE  | RBIE                          | TMR0IF              | INT0IF | RBIF   | 89                    |
| PIR1    | PMPIF <sup>(1)</sup>      | ADIF      | RC1IF   | TX1IF   | SSP1IF                        | CCP1IF              | TMR2IF | TMR1IF | 91                    |
| PIE1    | PMPIE <sup>(1)</sup>      | ADIE      | RC1IE   | TX1IE   | SSP1IE                        | CCP1IE              | TMR2IE | TMR1IE | 91                    |
| IPR1    | PMPPIF <sup>(1)</sup>     | ADIP      | RC1IP   | TX1IP   | SSP1IP                        | CCP1IP              | TMR2IP | TMR1IP | 91                    |
| TMR1L   | Timer1 Register Low Byte  |           |         |         |                               |                     |        |        | 90                    |
| TMR1H   | Timer1 Register High Byte |           |         |         |                               |                     |        |        | 90                    |
| T1CON   | TMR1CS1                   | TMR1CS0   | T1CKPS1 | T1CKPS0 | T1OSCEN                       | $\overline{T1SYNC}$ | RD16   | TMR1ON | 90                    |
| T1GCON  | TMR1GE                    | T1GPOL    | T1GTM   | T1GSPM  | $\overline{T1GGO/}$<br>T1DONE | T1GVAL              | T1GSS1 | T1GSS0 | 91                    |
| TCLKCON | —                         | —         | —       | T1RUN   | —                             | —                   | T3CCP2 | T3CCP1 | 93                    |

**Legend:** Shaded cells are not used by the Timer1 module.

**Note 1:** These bits are only available on 44-pin devices.

## 14.0 TIMER2 MODULE

The Timer2 module incorporates the following features:

- 8-bit Timer and Period registers (TMR2 and PR2, respectively)
- Readable and writable (both registers)
- Software-programmable prescaler (1:1, 1:4 and 1:16)
- Software-programmable postscaler (1:1 through 1:16)
- Interrupt on TMR2 to PR2 match
- Optional use as the shift clock for the MSSP modules

The module is controlled through the T2CON register (Register 14-1) which enables or disables the timer and configures the prescaler and postscaler. Timer2 can be shut off by clearing control bit, TMR2ON (T2CON<2>), to minimize power consumption.

A simplified block diagram of the module is shown in Figure 14-1.

## 14.1 Timer2 Operation

In normal operation, TMR2 is incremented from 00h on each clock ( $F_{osc}/4$ ). A 4-bit counter/prescaler on the clock input gives direct input, divide-by-4 and divide-by-16 prescale options. These are selected by the prescaler control bits, T2CKPS<1:0> (T2CON<1:0>). The value of TMR2 is compared to that of the Period register, PR2, on each clock cycle. When the two values match, the comparator generates a match signal as the timer output. This signal also resets the value of TMR2 to 00h on the next cycle and drives the output counter/postscaler (see Section 14.2 “Timer2 Interrupt”).

The TMR2 and PR2 registers are both directly readable and writable. The TMR2 register is cleared on any device Reset, while the PR2 register initializes at FFh. Both the prescaler and postscaler counters are cleared on the following events:

- A write to the TMR2 register
- A write to the T2CON register
- Any device Reset (Power-on Reset (POR),  $\overline{MCLR}$  Reset, Watchdog Timer Reset (WDTR) or Brown-out Reset (BOR))

TMR2 is not cleared when T2CON is written.

**REGISTER 14-1: T2CON: TIMER2 CONTROL REGISTER (ACCESS FCAh)**

|       |          |          |          |          |        |         |         |
|-------|----------|----------|----------|----------|--------|---------|---------|
| U-0   | R/W-0    | R/W-0    | R/W-0    | R/W-0    | R/W-0  | R/W-0   | R/W-0   |
| —     | T2OUTPS3 | T2OUTPS2 | T2OUTPS1 | T2OUTPS0 | TMR2ON | T2CKPS1 | T2CKPS0 |
| bit 7 |          |          |          |          |        |         | bit 0   |

**Legend:**

|                   |                  |                                    |
|-------------------|------------------|------------------------------------|
| R = Readable bit  | W = Writable bit | U = Unimplemented bit, read as '0' |
| -n = Value at POR | '1' = Bit is set | '0' = Bit is cleared               |
|                   |                  | x = Bit is unknown                 |

- bit 7 **Unimplemented:** Read as '0'
- bit 6-3 **T2OUTPS<3:0>:** Timer2 Output Postscale Select bits
  - 0000 = 1:1 Postscale
  - 0001 = 1:2 Postscale
  - 
  - 
  - 
  - 1111 = 1:16 Postscale
- bit 2 **TMR2ON:** Timer2 On bit
  - 1 = Timer2 is on
  - 0 = Timer2 is off
- bit 1-0 **T2CKPS<1:0>:** Timer2 Clock Prescale Select bits
  - 00 = Prescaler is 1
  - 01 = Prescaler is 4
  - 1x = Prescaler is 16

# PIC18F46J50 FAMILY

## 14.2 Timer2 Interrupt

Timer2 can also generate an optional device interrupt. The Timer2 output signal (TMR2 to PR2 match) provides the input for the 4-bit output counter/postscaler. This counter generates the TMR2 Match Interrupt Flag, which is latched in TMR2IF (PIR1<1>). The interrupt is enabled by setting the TMR2 Match Interrupt Enable bit, TMR2IE (PIE1<1>).

A range of 16 postscaler options (from 1:1 through 1:16 inclusive) can be selected with the postscaler control bits, T2OUTPS<3:0> (T2CON<6:3>).

## 14.3 Timer2 Output

The unscaled output of TMR2 is available primarily to the ECCP modules, where it is used as a time base for operations in PWM mode.

Timer2 can be optionally used as the shift clock source for the MSSP modules operating in SPI mode. Additional information is provided in [Section 19.0 “Master Synchronous Serial Port \(MSSP\) Module”](#).

**FIGURE 14-1: TIMER2 BLOCK DIAGRAM**



**TABLE 14-1: REGISTERS ASSOCIATED WITH TIMER2 AS A TIMER/COUNTER**

| Name   | Bit 7                  | Bit 6     | Bit 5    | Bit 4    | Bit 3    | Bit 2  | Bit 1   | Bit 0   | Reset Values on Page: |
|--------|------------------------|-----------|----------|----------|----------|--------|---------|---------|-----------------------|
| INTCON | GIE/GIEH               | PEIE/GIEL | TMR0IE   | INT0IE   | RBIE     | TMR0IF | INT0IF  | RBIF    | 89                    |
| PIR1   | PMPIF <sup>(1)</sup>   | ADIF      | RC1IF    | TX1IF    | SSP1IF   | CCP1IF | TMR2IF  | TMR1IF  | 91                    |
| PIE1   | PMPIE <sup>(1)</sup>   | ADIE      | RC1IE    | TX1IE    | SSP1IE   | CCP1IE | TMR2IE  | TMR1IE  | 91                    |
| IPR1   | PMP1P <sup>(1)</sup>   | ADIP      | RC1IP    | TX1IP    | SSP1IP   | CCP1IP | TMR2IP  | TMR1IP  | 91                    |
| TMR2   | Timer2 Register        |           |          |          |          |        |         |         | 90                    |
| T2CON  | —                      | T2OUTPS3  | T2OUTPS2 | T2OUTPS1 | T2OUTPS0 | TMR2ON | T2CKPS1 | T2CKPS0 | 90                    |
| PR2    | Timer2 Period Register |           |          |          |          |        |         |         | 90                    |

**Legend:** — = unimplemented, read as '0'. Shaded cells are not used by the Timer2 module.

**Note 1:** These bits are only available on 44-pin devices.

# PIC18F46J50 FAMILY

## 15.0 TIMER3 MODULE

The Timer3 timer/counter module incorporates these features:

- Software-selectable operation as a 16-bit timer or counter
- Readable and writable 8-bit registers (TMR3H and TMR3L)
- Selectable clock source (internal or external) with device clock or Timer1 oscillator internal options
- Interrupt-on-overflow
- Module Reset on ECCP Special Event Trigger

A simplified block diagram of the Timer3 module is shown in [Figure 15-1](#).

The Timer3 module is controlled through the T3CON register ([Register 15-1](#)). It also selects the clock source options for the ECCP modules; see [Section 18.1.1 “ECCP Module and Timer Resources”](#) for more information.

The Fosc clock source (TMR3CS<1:0> = 01) should not be used with the ECCP capture/compare features. If the timer will be used with the capture or compare features, always select one of the other timer clocking options.

**REGISTER 15-1: T3CON: TIMER3 CONTROL REGISTER (ACCESS F79h)**

| R/W-0   | R/W-0   | R/W-0   | R/W-0   | R/W-0   | R/W-0               | R/W-0 | R/W-0  |
|---------|---------|---------|---------|---------|---------------------|-------|--------|
| TMR3CS1 | TMR3CS0 | T3CKPS1 | T3CKPS0 | T3OSCEN | $\overline{T3SYNC}$ | RD16  | TMR3ON |
| bit 7   |         |         |         |         |                     |       | bit 0  |

**Legend:**

|                   |                  |                                    |
|-------------------|------------------|------------------------------------|
| R = Readable bit  | W = Writable bit | U = Unimplemented bit, read as '0' |
| -n = Value at POR | '1' = Bit is set | '0' = Bit is cleared               |
|                   |                  | x = Bit is unknown                 |

- bit 7-6 **TMR3CS<1:0>**: Timer3 Clock Source Select bits  
 10 = Timer3 clock source is the Timer1 oscillator or the T3CKI digital input pin (assigned in PPS module)  
 01 = Timer3 clock source is the system clock (Fosc)<sup>(1)</sup>  
 00 = Timer3 clock source is the instruction clock (Fosc/4)
- bit 5-4 **T3CKPS<1:0>**: Timer3 Input Clock Prescale Select bits  
 11 = 1:8 Prescale value  
 10 = 1:4 Prescale value  
 01 = 1:2 Prescale value  
 00 = 1:1 Prescale value
- bit 3 **T3OSCEN**: Timer3 Oscillator Source Select bit  
When TMR3CS<1:0> = 10:  
 1 = Power up the Timer1 crystal driver (T1OSC) and supply the Timer3 clock from the crystal output  
 0 = Timer1 crystal driver is off, Timer3 clock is from the T3CKI digital input pin assigned in PPS module<sup>(2)</sup>  
When TMR3CS<1:0> = 0x:  
 1 = Power up the Timer1 crystal driver (T1OSC)  
 0 = Timer1 crystal driver is off<sup>(2)</sup>
- bit 2 **T3SYNC**: Timer3 External Clock Input Synchronization Control bit  
When TMR3CS<1:0> = 10:  
 1 = Do not synchronize external clock input  
 0 = Synchronize external clock input  
When TMR3CS<1:0> = 0x:  
 This bit is ignored; Timer3 uses the internal clock.
- bit 1 **RD16**: 16-Bit Read/Write Mode Enable bit  
 1 = Enables register read/write of Timer3 in one 16-bit operation  
 0 = Enables register read/write of Timer3 in two 8-bit operations
- bit 0 **TMR3ON**: Timer3 On bit  
 1 = Enables Timer3  
 0 = Stops Timer3

- Note 1:** The Fosc clock source should not be selected if the timer will be used with the ECCP capture/compare features.  
**Note 2:** The Timer1 oscillator crystal driver is powered whenever T1OSCEN (T1CON) or T3OSCEN (T3CON) = 1. The circuit is enabled by the logical OR of these two bits. When disabled, the inverter and feedback resistor are disabled to eliminate power drain. The TMR1ON and TMR3ON bits do not have to be enabled to power up the crystal driver.

# PIC18F46J50 FAMILY

## 15.1 Timer3 Gate Control Register

The Timer3 Gate Control register (T3GCON), provided in Register 14-2, is used to control the Timer3 gate.

### REGISTER 15-2: T3GCON: TIMER3 GATE CONTROL REGISTER (ACCESS F97h)<sup>(1)</sup>

|        |        |       |        |              |        |        |        |
|--------|--------|-------|--------|--------------|--------|--------|--------|
| R/W-0  | R/W-0  | R/W-0 | R/W-0  | R/W-0        | R-x    | R/W-0  | R/W-0  |
| TMR3GE | T3GPOL | T3GTM | T3GSPM | T3GGO/T3DONE | T3GVAL | T3GSS1 | T3GSS0 |
| bit 7  |        |       |        |              |        |        | bit 0  |

#### Legend:

|                   |                  |                                    |                    |
|-------------------|------------------|------------------------------------|--------------------|
| R = Readable bit  | W = Writable bit | U = Unimplemented bit, read as '0' |                    |
| -n = Value at POR | '1' = Bit is set | '0' = Bit is cleared               | x = Bit is unknown |

- bit 7 **TMR3GE:** Timer3 Gate Enable bit  
If **TMR3ON = 0:**  
This bit is ignored.  
If **TMR3ON = 1:**  
1 = Timer3 counting is controlled by the Timer3 gate function  
0 = Timer3 counts regardless of Timer3 gate function
- bit 6 **T3GPOL:** Timer3 Gate Polarity bit  
1 = Timer3 gate is active-high (Timer3 counts when gate is high)  
0 = Timer3 gate is active-low (Timer3 counts when gate is low)
- bit 5 **T3GTM:** Timer3 Gate Toggle Mode bit  
1 = Timer3 Gate Toggle mode is enabled.  
0 = Timer3 Gate Toggle mode is disabled and toggle flip-flop is cleared  
Timer3 gate flip-flop toggles on every rising edge.
- bit 4 **T3GSPM:** Timer3 Gate Single Pulse Mode bit  
1 = Timer3 Gate Single Pulse mode is enabled and is controlling Timer3 gate  
0 = Timer3 Gate Single Pulse mode is disabled
- bit 3 **T3GGO/T3DONE:** Timer3 Gate Single Pulse Acquisition Status bit  
1 = Timer3 gate single pulse acquisition is ready, waiting for an edge  
0 = Timer3 gate single pulse acquisition has completed or has not been started  
This bit is automatically cleared when T3GSPM is cleared.
- bit 2 **T3GVAL:** Timer3 Gate Current State bit  
Indicates the current state of the Timer3 gate that could be provided to TMR3H:TMR3L. Unaffected by Timer3 Gate Enable bit (TMR3GE).
- bit 1-0 **T3GSS<1:0>:** Timer3 Gate Source Select bits  
10 = TMR2 to match PR2 output  
01 = Timer0 overflow output  
00 = Timer3 gate pin (T3G)

**Note 1:** Programming the T3GCON prior to T3CON is recommended.

# PIC18F46J50 FAMILY

## REGISTER 15-3: TCLKCON: TIMER CLOCK CONTROL REGISTER (BANKED F52h)

|       |     |     |       |     |     |        |        |
|-------|-----|-----|-------|-----|-----|--------|--------|
| U-0   | U-0 | U-0 | R-0   | U-0 | U-0 | R/W-0  | R/W-0  |
| —     | —   | —   | T1RUN | —   | —   | T3CCP2 | T3CCP1 |
| bit 7 |     |     |       |     |     | bit 0  |        |

### Legend:

|                   |                  |                                    |
|-------------------|------------------|------------------------------------|
| R = Readable bit  | W = Writable bit | U = Unimplemented bit, read as '0' |
| -n = Value at POR | '1' = Bit is set | '0' = Bit is cleared               |
|                   |                  | x = Bit is unknown                 |

bit 7-5      **Unimplemented:** Read as '0'

bit 4      **T1RUN:** Timer1 Run Status bit

1 = Device is currently clocked by T1OSC/T1CKI

0 = System clock comes from an oscillator other than T1OSC/T1CKI

bit 3-2      **Unimplemented:** Read as '0'

bit 1-0      **T3CCP<2:1>:** ECCP Timer Assignment bits

10 = ECCP1 and ECCP2 both use Timer3 (capture/compare) and Timer4 (PWM)

01 = ECCP1 uses Timer1 (compare/capture) and Timer2 (PWM); ECCP2 uses Timer3 (capture/compare) and Timer4 (PWM)

00 = ECCP1 and ECCP2 both use Timer1 (capture/compare) and Timer2 (PWM)

# PIC18F46J50 FAMILY

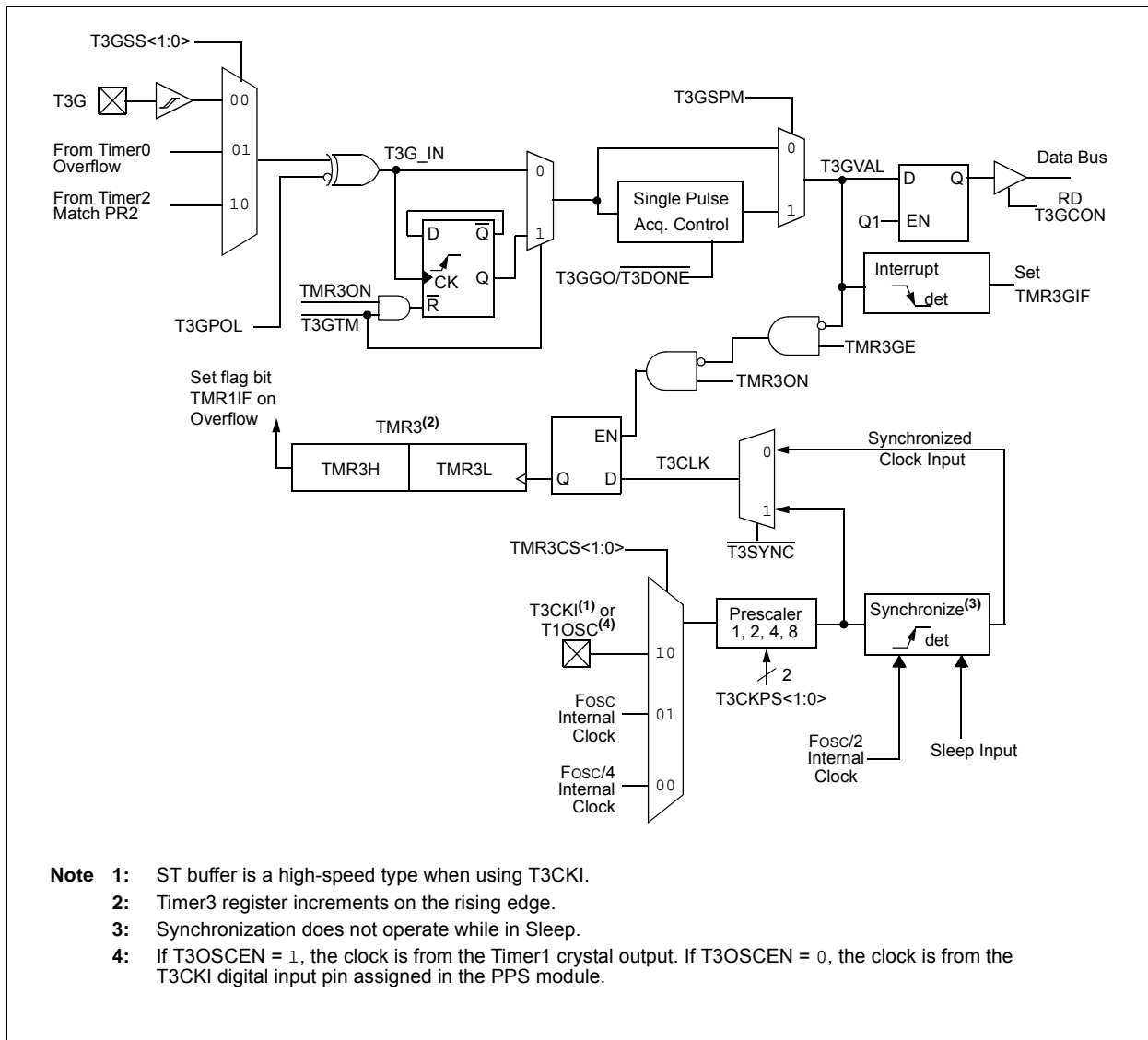
## 15.2 Timer3 Operation

Timer3 can operate in one of three modes:

- Timer
- Synchronous Counter
- Asynchronous Counter
- Timer with Gated Control

The operating mode is determined by the clock select bits, TMR3CSx (T3CON<7:6>). When the TMR3CSx bits are cleared (= 00), Timer3 increments on every internal instruction cycle (Fosc/4). When TMR3CSx = 01, the Timer3 clock source is the system clock (Fosc), and when it is '10', Timer3 works as a counter from the external clock from the T3CKI pin (on the rising edge after the first falling edge) or the Timer1 oscillator.

**FIGURE 15-1: TIMER3 BLOCK DIAGRAM**





## 15.3 Timer3 16-Bit Read/Write Mode

Timer3 can be configured for 16-bit reads and writes (see [Section 15.3 “Timer3 16-Bit Read/Write Mode”](#)). When the RD16 control bit (T3CON<1>) is set, the address for TMR3H is mapped to a buffer register for the high byte of Timer3. A read from TMR3L will load the contents of the high byte of Timer3 into the Timer3 High Byte Buffer register. This provides the user with the ability to accurately read all 16 bits of Timer3 without having to determine whether a read of the high byte, followed by a read of the low byte, has become invalid due to a rollover between reads.

A write to the high byte of Timer3 must also take place through the TMR3H Buffer register. The Timer3 high byte is updated with the contents of TMR3H when a write occurs to TMR3L. This allows a user to write all 16 bits to both the high and low bytes of Timer3 at once.

The high byte of Timer3 is not directly readable or writable in this mode. All reads and writes must take place through the Timer3 High Byte Buffer register.

Writes to TMR3H do not clear the Timer3 prescaler. The prescaler is only cleared on writes to TMR3L.

## 15.4 Using the Timer1 Oscillator as the Timer3 Clock Source

The Timer1 internal oscillator may be used as the clock source for Timer3. The Timer1 oscillator is enabled by setting the T1OSCEN (T1CON<3>) bit. To use it as the Timer3 clock source, the TMR3CS bit must also be set. As previously noted, this also configures Timer3 to increment on every rising edge of the oscillator source.

The Timer1 oscillator is described in [Section 13.0 “Timer1 Module”](#).

## 15.5 Timer3 Gate

Timer3 can be configured to count freely or the count can be enabled and disabled using Timer3 gate circuitry. This is also referred to as Timer3 gate count enable.

Timer3 gate can also be driven by multiple selectable sources.

### 15.5.1 TIMER3 GATE COUNT ENABLE

The Timer3 Gate Enable mode is enabled by setting the TMR3GE bit of the T3GCON register. The polarity of the Timer3 Gate Enable mode is configured using the T3GPOL bit of the T3GCON register.

When Timer3 Gate Enable mode is enabled, Timer3 will increment on the rising edge of the Timer3 clock source. When Timer3 Gate Enable mode is disabled, no incrementing will occur and Timer3 will hold the current count. See [Figure 15-2](#) for timing details.

**TABLE 15-1: TIMER3 GATE ENABLE SELECTIONS**

| T3CLK | T3GPOL | T3G | Timer3 Operation |
|-------|--------|-----|------------------|
| ↑     | 0      | 0   | Counts           |
| ↑     | 0      | 1   | Holds Count      |
| ↑     | 1      | 0   | Holds Count      |
| ↑     | 1      | 1   | Counts           |

**FIGURE 15-2: TIMER3 GATE COUNT ENABLE MODE**



# PIC18F46J50 FAMILY

## 15.5.2 TIMER3 GATE SOURCE SELECTION

The Timer3 gate source can be selected from one of four different sources. Source selection is controlled by the T3GSSx bits of the T3GCON register. The polarity for each available source is also selectable. Polarity selection is controlled by the T3GPOL bit of the T3GCON register.

**TABLE 15-2: TIMER3 GATE SOURCES**

| T3GSS<1:0> | Timer3 Gate Source                                   |
|------------|--|
| 00         | Timer3 Gate Pin                                      |
| 01         | Overflow of Timer0 (TMR0 increments from FFh to 00h) |
| 10         | TMR2 to Match PR2 (TMR2 increments to match PR2)     |
| 11         | Reserved   |

### 15.5.2.1 T3G Pin Gate Operation

The T3G pin is one source for Timer3 gate control. It can be used to supply an external source to the Timer3 gate circuitry.

### 15.5.2.2 Timer0 Overflow Gate Operation

When Timer0 increments from FFh to 00h, a low-to-high pulse will automatically be generated and internally supplied to the Timer3 gate circuitry.

### 15.5.2.3 Timer2 Match Gate Operation

The TMR2 register will increment until it matches the value in the PR2 register. On the very next increment cycle, TMR2 will be reset to 00h. When this Reset occurs, a low-to-high pulse will automatically be generated and internally supplied to the Timer3 gate circuitry.

## 15.5.3 TIMER3 GATE TOGGLE MODE

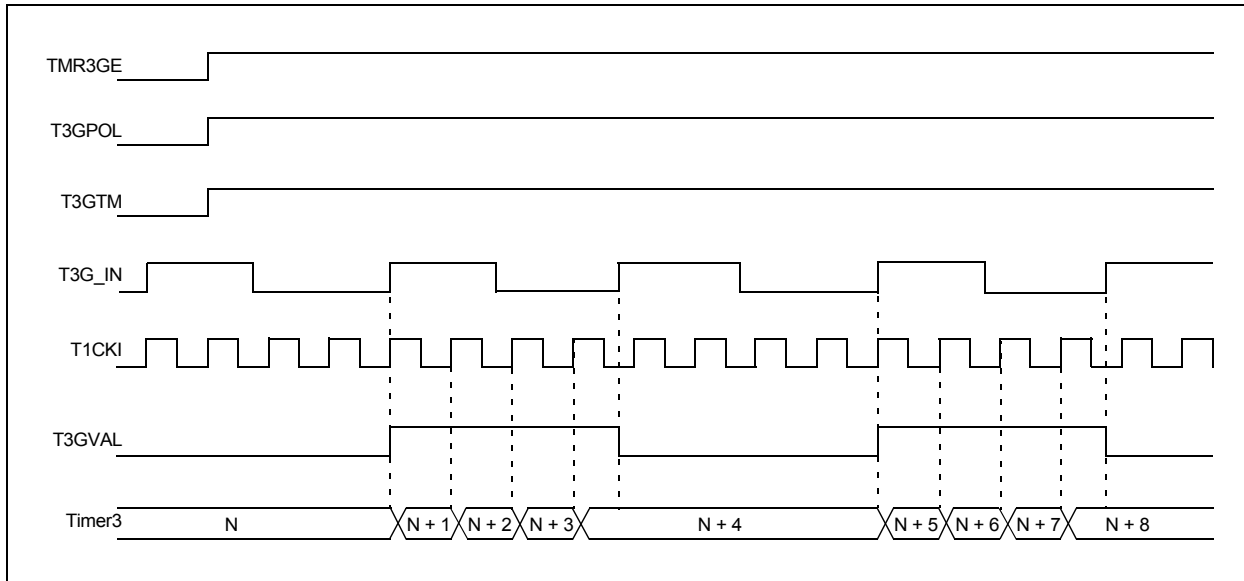
When Timer3 Gate Toggle mode is enabled, it is possible to measure the full cycle length of a Timer3 gate signal, as opposed to the duration of a single level pulse.

The Timer1 gate source is routed through a flip-flop that changes state on every incrementing edge of the signal. See [Figure 15-3](#) for timing details.

The T3GVAL bit will indicate when the Toggled mode is active and the timer is counting.

Timer3 Gate Toggle mode is enabled by setting the T3GTM bit of the T3GCON register. When the T3GTM bit is cleared, the flip-flop is cleared and held clear. This is necessary in order to control which edge is measured.

**FIGURE 15-3: TIMER3 GATE TOGGLE MODE**



## 15.5.4 TIMER3 GATE SINGLE PULSE MODE

When Timer3 Gate Single Pulse mode is enabled, it is possible to capture a single pulse gate event. Timer3 Gate Single Pulse mode is first enabled by setting the T3GSPM bit in the T3GCON register. Next, the T3GGO/T3DONE bit in the T3GCON register must be set.

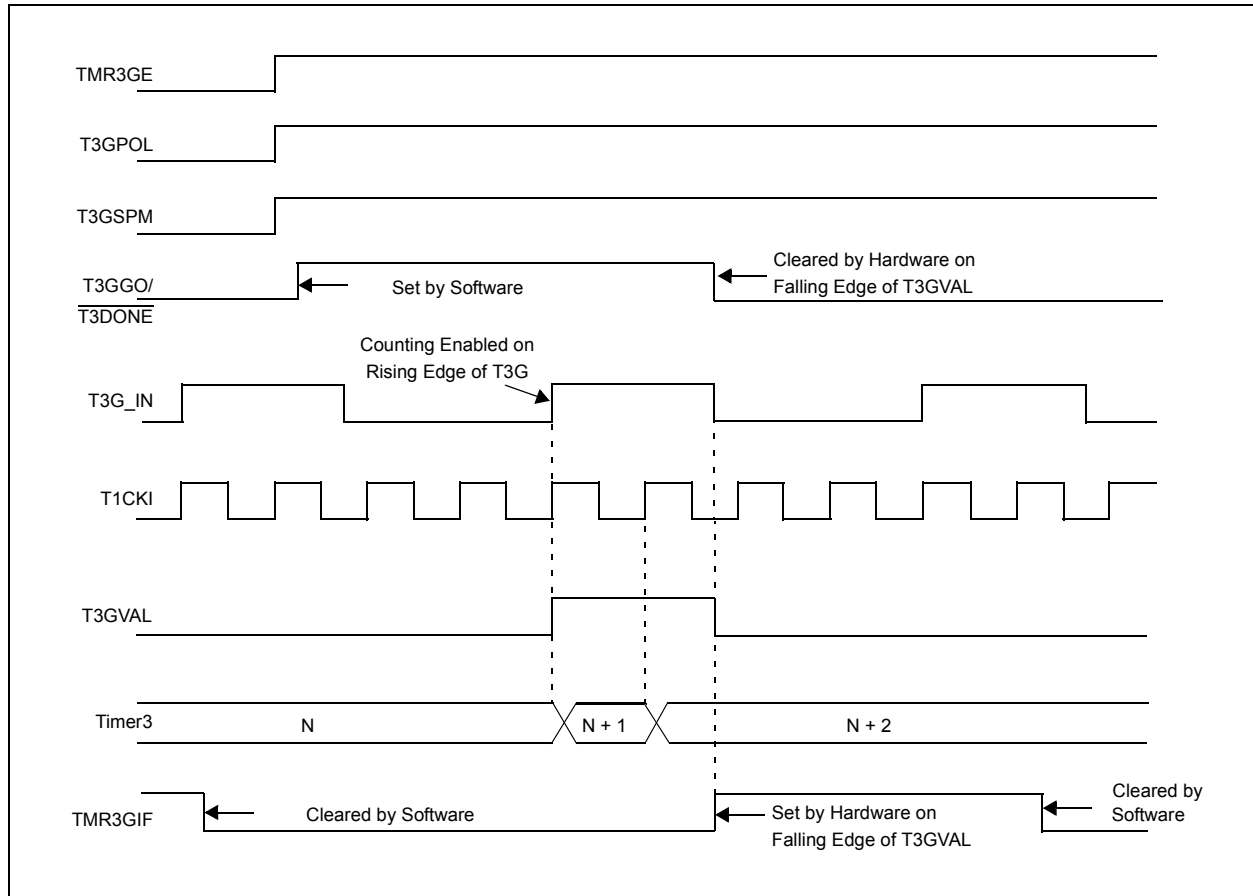
The Timer3 will be fully enabled on the next incrementing edge. On the next trailing edge of the pulse, the T3GGO/T3DONE bit will automatically be cleared. No

other gate events will be allowed to increment Timer3 until the T3GGO/T3DONE bit is once again set in software.

Clearing the T3GSPM bit of the T3GCON register will also clear the T3GGO/T3DONE bit. See [Figure 15-4](#) for timing details.

Enabling the Toggle mode and the Single Pulse mode, simultaneously, will permit both sections to work together. This allows the cycle times on the Timer3 gate source to be measured. See [Figure 15-5](#) for timing details.

**FIGURE 15-4: TIMER3 GATE SINGLE PULSE MODE**



# PIC18F46J50 FAMILY

**FIGURE 15-5: TIMER3 GATE SINGLE PULSE AND TOGGLE COMBINED MODE**



## 15.5.5 TIMER3 GATE VALUE STATUS

When Timer3 gate value status is utilized, it is possible to read the most current level of the gate control value. The value is stored in the T3GVAL bit in the T3GCON register. The T3GVAL bit is valid even when the Timer3 gate is not enabled (TMR3GE bit is cleared).

## 15.5.6 TIMER3 GATE EVENT INTERRUPT

When the Timer3 gate event interrupt is enabled, it is possible to generate an interrupt upon the completion of a gate event. When the falling edge of T3GVAL occurs, the TMR3GIF flag bit in the PIR3 register will be set. If the TMR3GIE bit in the PIE3 register is set, then an interrupt will be recognized.

The TMR3GIF flag bit operates even when the Timer3 gate is not enabled (TMR3GE bit is cleared).

# PIC18F46J50 FAMILY

## 15.6 Timer3 Interrupt

The TMR3 register pair (TMR3H:TMR3L) increments from 0000h to FFFFh and overflows to 0000h. The Timer3 interrupt, if enabled, is generated on overflow and is latched in interrupt flag bit, TMR3IF (PIR2<1>). This interrupt can be enabled or disabled by setting or clearing the Timer3 Interrupt Enable bit, TMR3IE (PIE2<1>).

## 15.7 Resetting Timer3 Using the ECCP Special Event Trigger

If ECCP1 or ECCP2 is configured to use Timer3 and to generate a Special Event Trigger in Compare mode (CCPxM<3:0> = 1011), this signal will reset Timer3.

The trigger from ECCP2 will also start an A/D conversion if the A/D module is enabled (see [Section 18.3.4 “Special Event Trigger”](#) for more information).

The module must be configured as either a timer or synchronous counter to take advantage of this feature. When used this way, the CCPRxH:CCPRxL register pair effectively becomes a Period register for Timer3.

If Timer3 is running in Asynchronous Counter mode, the Reset operation may not work.

In the event that a write to Timer3 coincides with a Special Event Trigger from an ECCP module, the write will take precedence.

**Note:** The Special Event Triggers from the ECCPx module will not set the TMR3IF interrupt flag bit (PIR1<0>).

**TABLE 15-3: REGISTERS ASSOCIATED WITH TIMER3 AS A TIMER/COUNTER**

| Name    | Bit 7                     | Bit 6     | Bit 5   | Bit 4   | Bit 3             | Bit 2               | Bit 1   | Bit 0  | Reset Values on Page: |
|---------|---------------------------|-----------|---------|---------|-------------------|---------------------|---------|--------|-----------------------|
| INTCON  | GIE/GIEH                  | PEIE/GIEL | TMR0IE  | INT0IE  | RBIE              | TMR0IF              | INT0IF  | RBIF   | 89                    |
| PIR2    | OSCFIF                    | CM2IF     | CM1IF   | USBIF   | BCL1IF            | HLVDIF              | TMR3IF  | CCP2IF | 91                    |
| PIE2    | OSCFIE                    | CM2IE     | CM1IE   | USBIE   | BCL1IE            | HLVDIE              | TMR3IE  | CCP2IE | 91                    |
| IPR2    | OSCFIP                    | CM2IP     | CM1IP   | USBIP   | BCL1IP            | HLVDIP              | TMR3IP  | CCP2IP | 91                    |
| TMR3L   | Timer3 Register Low Byte  |           |         |         |                   |                     |         |        | 92                    |
| TMR3H   | Timer3 Register High Byte |           |         |         |                   |                     |         |        | 92                    |
| T1CON   | TMR1CS1                   | TMR1CS0   | T1CKPS1 | T1CKPS0 | T1OSCEN           | $\overline{T1SYNC}$ | RD16    | TMR1ON | 90                    |
| T3CON   | TMR3CS1                   | TMR3CS0   | T3CKPS1 | T3CKPS0 | T3OSCEN           | $\overline{T3SYNC}$ | RD16    | TMR3ON | 92                    |
| T3GCON  | TMR3GE                    | T3GPOL    | T3GTM   | T3GSPM  | T3GGGO/<br>T3DONE | T3GVAL              | T3GSS1  | T3GSS0 | 92                    |
| TCLKCON | —                         | —         | —       | T1RUN   | —                 | —                   | T3CCP2  | T3CCP1 | 93                    |
| PIR3    | SSP2IF                    | BCL2IF    | RC2IF   | TX2IF   | TMR4IF            | CTMUIF              | TMR3GIF | RTCCIF | 91                    |
| PIE3    | SSP2IE                    | BCL2IE    | RC2IE   | TX2IE   | TMR4IE            | CTMUIE              | TMR3GIE | RTCCIE | 91                    |
| IPR3    | SSP2IP                    | BCL2IP    | RC2IP   | TX2IP   | TMR4IP            | CTMUIP              | TMR3GIP | RTCCIP | 91                    |

**Legend:** — = unimplemented, read as '0'. Shaded cells are not used by the Timer3 module.

# PIC18F46J50 FAMILY

---

NOTES:

# PIC18F46J50 FAMILY

## 16.0 TIMER4 MODULE

The Timer4 timer module has the following features:

- 8-Bit Timer register (TMR4)
- 8-Bit Period register (PR4)
- Readable and writable (both registers)
- Software-programmable prescaler (1:1, 1:4, 1:16)
- Software-programmable postscaler (1:1 to 1:16)
- Interrupt on TMR4 match of PR4

Timer4 has a control register shown in [Register 16-1](#). Timer4 can be shut off by clearing control bit, TMR4ON (T4CON<2>), to minimize power consumption. The prescaler and postscaler selection of Timer4 is also controlled by this register. [Figure 16-1](#) is a simplified block diagram of the Timer4 module.

## 16.1 Timer4 Operation

Timer4 can be used as the PWM time base for the PWM mode of the ECCP modules. The TMR4 register is readable and writable and is cleared on any device Reset. The input clock ( $F_{osc}/4$ ) has a prescale option of 1:1, 1:4 or 1:16, selected by control bits, T4CKPS<1:0> (T4CON<1:0>). The match output of TMR4 goes through a 4-bit postscaler (which gives a 1:1 to 1:16 scaling inclusive) to generate a TMR4 interrupt, latched in flag bit, TMR4IF (PIR3<3>).

The prescaler and postscaler counters are cleared when any of the following occurs:

- A write to the TMR4 register
- A write to the T4CON register
- Any device Reset (Power-on Reset (POR),  $\overline{MCLR}$  Reset, Watchdog Timer Reset (WDTR) or Brown-out Reset (BOR))

TMR4 is not cleared when T4CON is written.

**REGISTER 16-1: T4CON: TIMER4 CONTROL REGISTER (ACCESS F76h)**

|       |          |          |          |          |        |         |         |
|-------|----------|----------|----------|----------|--------|---------|---------|
| U-0   | R/W-0    | R/W-0    | R/W-0    | R/W-0    | R/W-0  | R/W-0   | R/W-0   |
| —     | T4OUTPS3 | T4OUTPS2 | T4OUTPS1 | T4OUTPS0 | TMR4ON | T4CKPS1 | T4CKPS0 |
| bit 7 |          |          |          |          |        |         | bit 0   |

**Legend:**

|                   |                  |                                    |
|-------------------|------------------|------------------------------------|
| R = Readable bit  | W = Writable bit | U = Unimplemented bit, read as '0' |
| -n = Value at POR | '1' = Bit is set | '0' = Bit is cleared               |
|                   |                  | x = Bit is unknown                 |

- bit 7 **Unimplemented:** Read as '0'
- bit 6-3 **T4OUTPS<3:0>:** Timer4 Output Postscale Select bits
  - 0000 = 1:1 Postscale
  - 0001 = 1:2 Postscale
  - 
  - 
  - 
  - 1111 = 1:16 Postscale
- bit 2 **TMR4ON:** Timer4 On bit
  - 1 = Timer4 is on
  - 0 = Timer4 is off
- bit 1-0 **T4CKPS<1:0>:** Timer4 Clock Prescale Select bits
  - 00 = Prescaler is 1
  - 01 = Prescaler is 4
  - 1x = Prescaler is 16

# PIC18F46J50 FAMILY

## 16.2 Timer4 Interrupt

The Timer4 module has an 8-bit Period register, PR4, which is both readable and writable. Timer4 increments from 00h until it matches PR4 and then resets to 00h on the next increment cycle. The PR4 register is initialized to FFh upon Reset.

## 16.3 Output of TMR4

The output of TMR4 (before the postscaler) is used only as a PWM time base for the ECCP modules. It is not used as a baud rate clock for the MSSP modules as is the Timer2 output.

**FIGURE 16-1: TIMER4 BLOCK DIAGRAM**



**TABLE 16-1: REGISTERS ASSOCIATED WITH TIMER4 AS A TIMER/COUNTER**

| Name   | Bit 7                  | Bit 6     | Bit 5    | Bit 4    | Bit 3    | Bit 2  | Bit 1   | Bit 0   | Reset Values on Page: |
|--------|------------------------|-----------|----------|----------|----------|--------|---------|---------|-----------------------|
| INTCON | GIE/GIEH               | PEIE/GIEL | TMR0IE   | INT0IE   | RBIE     | TMR0IF | INT0IF  | RBIF    | 89                    |
| IPR3   | SSP2IP                 | BCL2IP    | RC2IP    | TX2IP    | TMR4IP   | CTMUIP | TMR3GIP | RTCCIP  | 91                    |
| PIR3   | SSP2IF                 | BCL2IF    | RC2IF    | TX2IF    | TMR4IF   | CTMUIF | TMR3GIF | RTCCIF  | 91                    |
| PIE3   | SSP2IE                 | BCL2IE    | RC2IE    | TX2IE    | TMR4IE   | CTMUIE | TMR3GIE | RTCCIE  | 91                    |
| TMR4   | Timer4 Register        |           |          |          |          |        |         |         | 92                    |
| T4CON  | —                      | T4OUTPS3  | T4OUTPS2 | T4OUTPS1 | T4OUTPS0 | TMR4ON | T4CKPS1 | T4CKPS0 | 92                    |
| PR4    | Timer4 Period Register |           |          |          |          |        |         |         | 92                    |

**Legend:** — = unimplemented, read as '0'. Shaded cells are not used by the Timer4 module.



## 17.0 REAL-TIME CLOCK AND CALENDAR (RTCC)

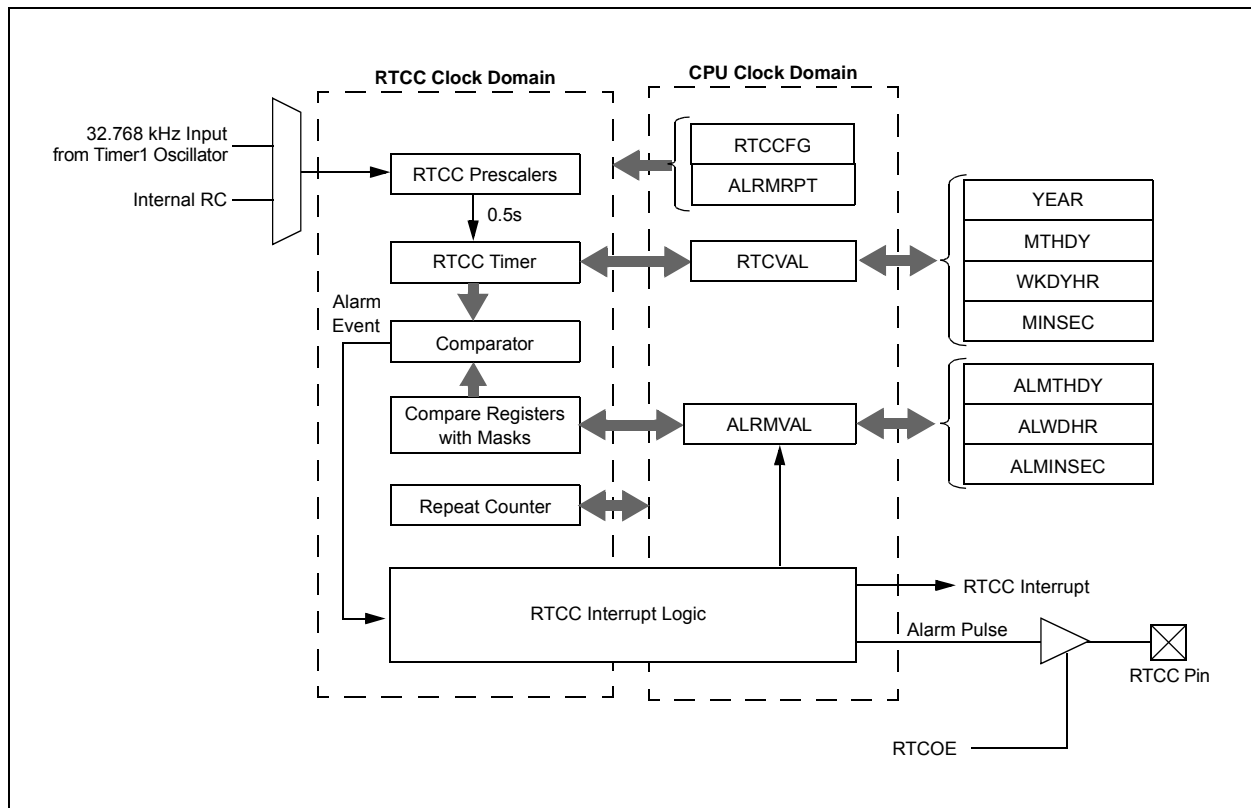
The key features of the Real-Time Clock and Calendar (RTCC) module are:

- Time: hours, minutes and seconds
- 24-hour format (military time)
- Calendar: weekday, date, month and year
- Alarm configurable
- Year range: 2000 to 2099
- Leap year correction
- BCD format for compact firmware
- Optimized for low-power operation
- User calibration with auto-adjust
- Calibration range:  $\pm 2.64$  seconds error per month
- Requirements: external 32.768 kHz clock crystal
- Alarm pulse or seconds clock output on RTCC pin

The RTCC module is intended for applications where accurate time must be maintained for an extended period with minimum to no intervention from the CPU. The module is optimized for low-power usage in order to provide extended battery life while keeping track of time.

The module is a 100-year clock and calendar with automatic leap year detection. The range of the clock is from 00:00:00 (midnight) on January 1, 2000 to 23:59:59 on December 31, 2099. Hours are measured in 24-hour (military time) format. The clock provides a granularity of one second with half-second visibility to the user.

**FIGURE 17-1: RTCC BLOCK DIAGRAM**



# PIC18F46J50 FAMILY

---

## 17.1 RTCC MODULE REGISTERS

The RTCC module registers are divided into following categories:

### RTCC Control Registers

- RTCCFG
- RTCCAL
- PADCFG1
- ALRMCFG
- ALMRPT

### RTCC Value Registers

- RTCVALH and RTCVALL – Can access the following registers
  - YEAR
  - MONTH
  - DAY
  - WEEKDAY
  - HOUR
  - MINUTE
  - SECOND

### Alarm Value Registers

- ALRMVALH and ALRMVALL – Can access the following registers:
  - ALRMMNTH
  - ALRMDAY
  - ALRMWD
  - ALRMHR
  - ALRMMIN
  - ALRMSEC

**Note:** The RTCVALH and RTCVALL registers can be accessed through RTCRPT<1:0>. ALRMVALH and ALRMVALL can be accessed through ALRMPTR<1:0>.

# PIC18F46J50 FAMILY

## 17.1.1 RTCC CONTROL REGISTERS

### REGISTER 17-1: RTCCFG: RTCC CONFIGURATION REGISTER (BANKED F3Fh)<sup>(1)</sup>

|                      |     |         |         |                        |       |         |         |
|----------------------|-----|---------|---------|------------------------|-------|---------|---------|
| R/W-0                | U-0 | R/W-0   | R-0     | R-0                    | R/W-0 | R/W-0   | R/W-0   |
| RTCEN <sup>(2)</sup> | —   | RTCWREN | RTCSYNC | HALFSEC <sup>(3)</sup> | RTCOE | RTCPTR1 | RTCPTR0 |
| bit 7                |     |         |         |                        |       |         | bit 0   |

#### Legend:

R = Readable bit  
-n = Value at POR

W = Writable bit  
'1' = Bit is set

U = Unimplemented bit, read as '0'  
'0' = Bit is cleared  
x = Bit is unknown

- bit 7      **RTCEN:** RTCC Enable bit<sup>(2)</sup>  
1 = RTCC module is enabled  
0 = RTCC module is disabled
- bit 6      **Unimplemented:** Read as '0'
- bit 5      **RTCWREN:** RTCC Value Registers Write Enable bit  
1 = RTCVALH and RTCVALL registers can be written to by the user  
0 = RTCVALH and RTCVALL registers are locked out from being written to by the user
- bit 4      **RTCSYNC:** RTCC Value Registers Read Synchronization bit  
1 = RTCVALH, RTCVALL and ALCFGRPT registers can change while reading due to a rollover ripple resulting in an invalid data read  
If the register is read twice and results in the same data, the data can be assumed to be valid.  
0 = RTCVALH, RTCVALL or ALCFGRPT registers can be read without concern over a rollover ripple
- bit 3      **HALFSEC:** Half-Second Status bit<sup>(3)</sup>  
1 = Second half period of a second  
0 = First half period of a second
- bit 2      **RTCOE:** RTCC Output Enable bit  
1 = RTCC clock output is enabled  
0 = RTCC clock output is disabled
- bit 1-0    **RTCPTR<1:0>:** RTCC Value Register Window Pointer bits  
Points to the corresponding RTCC Value registers when reading the RTCVALH and RTCVALL registers; the RTCPTR<1:0> value decrements on every read or write of RTCVALH until it reaches '00'.  
RTCVAL<15:8>:  
00 = Minutes  
01 = Weekday  
10 = Month  
11 = Reserved  
RTCVAL<7:0>:  
00 = Seconds  
01 = Hours  
10 = Day  
11 = Year

- Note 1:** The RTCCFG register is only affected by a POR.  
**2:** A write to the RTCEN bit is only allowed when RTCWREN = 1.  
**3:** This bit is read-only. It is cleared to '0' on a write to the lower half of the MINSEC register.

# PIC18F46J50 FAMILY

## REGISTER 17-2: RTCCAL: RTCC CALIBRATION REGISTER (BANKED F3Eh)

|       |       |       |       |       |       |       |       |
|-------|-------|-------|-------|-------|-------|-------|-------|
| R/W-0 | R/W-0 | R/W-0 | R/W-0 | R/W-0 | R/W-0 | R/W-0 | R/W-0 |
| CAL7  | CAL6  | CAL5  | CAL4  | CAL3  | CAL2  | CAL1  | CAL0  |
| bit 7 |       |       |       |       |       |       | bit 0 |

### Legend:

R = Readable bit                      W = Writable bit                      U = Unimplemented bit, read as '0'  
 -n = Value at POR                      '1' = Bit is set                      '0' = Bit is cleared                      x = Bit is unknown

bit 7-0                      **CAL<7:0>**: RTC Drift Calibration bits  
 01111111 = Maximum positive adjustment; adds 508 RTC clock pulses every minute  
 .  
 .  
 .  
 00000001 = Minimum positive adjustment; adds four RTC clock pulses every minute  
 00000000 = No adjustment  
 11111111 = Minimum negative adjustment; subtracts four RTC clock pulses every minute  
 .  
 .  
 .  
 10000000 = Maximum negative adjustment; subtracts 512 RTC clock pulses every minute

## REGISTER 17-3: PADCFG1: PAD CONFIGURATION REGISTER (BANKED F3Ch)

|       |     |     |     |     |                          |                          |        |
|-------|-----|-----|-----|-----|--------------------------|--------------------------|--------|
| U-0   | U-0 | U-0 | U-0 | U-0 | R/W-0                    | R/W-0                    | R/W-0  |
| —     | —   | —   | —   | —   | RTSECSEL1 <sup>(1)</sup> | RTSECSEL0 <sup>(1)</sup> | PMPTTL |
| bit 7 |     |     |     |     |                          |                          | bit 0  |

### Legend:

R = Readable bit                      W = Writable bit                      U = Unimplemented bit, read as '0'  
 -n = Value at POR                      '1' = Bit is set                      '0' = Bit is cleared                      x = Bit is unknown

bit 7-3                      **Unimplemented:** Read as '0'  
 bit 2-1                      **RTSECSEL<1:0>**: RTCC Seconds Clock Output Select bits<sup>(1)</sup>  
 11 = Reserved; do not use  
 10 = RTCC source clock is selected for the RTCC pin (pin can be INTRC or T1OSC, depending on the RTCOSC (CONFIG3L<1>) setting)  
 01 = RTCC seconds clock is selected for the RTCC pin  
 00 = RTCC alarm pulse is selected for the RTCC pin  
 bit 0                      **PMPTTL**: PMP Module TTL Input Buffer Select bit  
 1 = PMP module uses TTL input buffers  
 0 = PMP module uses Schmitt input buffers

**Note 1:** To enable the actual RTCC output, the RTCOE (RTCCFG<2>) bit must be set.

# PIC18F46J50 FAMILY

## REGISTER 17-4: ALRMCFG: ALARM CONFIGURATION REGISTER (ACCESS F91h)

| R/W-0  | R/W-0 | R/W-0  | R/W-0  | R/W-0  | R/W-0  | R/W-0    | R/W-0    |
|--------|-------|--------|--------|--------|--------|----------|----------|
| ALRMEN | CHIME | AMASK3 | AMASK2 | AMASK1 | AMASK0 | ALRMPTR1 | ALRMPTR0 |
| bit 7  |       |        |        |        |        |          | bit 0    |

### Legend:

R = Readable bit                      W = Writable bit                      U = Unimplemented bit, read as '0'  
 -n = Value at POR                      '1' = Bit is set                      '0' = Bit is cleared                      x = Bit is unknown

- bit 7                      **ALRMEN:** Alarm Enable bit  
 1 = Alarm is enabled (cleared automatically after an alarm event whenever ARPT<7:0> = 0000 0000 and CHIME = 0)  
 0 = Alarm is disabled
- bit 6                      **CHIME:** Chime Enable bit  
 1 = Chime is enabled; ARPT<7:0> bits are allowed to roll over from 00h to FFh  
 0 = Chime is disabled; ARPT<7:0> bits stop once they reach 00h
- bit 5-2                      **AMASK<3:0>:** Alarm Mask Configuration bits  
 0000 = Every half second  
 0001 = Every second  
 0010 = Every 10 seconds  
 0011 = Every minute  
 0100 = Every 10 minutes  
 0101 = Every hour  
 0110 = Once a day  
 0111 = Once a week  
 1000 = Once a month  
 1001 = Once a year (except when configured for February 29<sup>th</sup>, once every four years)  
 101x = Reserved – do not use  
 11xx = Reserved – do not use
- bit 1-0                      **ALRMPTR<1:0>:** Alarm Value Register Window Pointer bits  
 Points to the corresponding Alarm Value registers when reading the ALRMVALH and ALRMVALL registers. The ALRMPTR<1:0> value decrements on every read or write of ALRMVALH until it reaches '00'.  
ALRMVAL<15:8>:  
 00 = ALRMMIN  
 01 = ALRMWD  
 10 = ALRMMNTH  
 11 = Unimplemented  
ALRMVAL<7:0>:  
 00 = ALRMSEC  
 01 = ALRMHR  
 10 = ALRMDAY  
 11 = Unimplemented

# PIC18F46J50 FAMILY

## REGISTER 17-5: ALMRPT: ALARM REPEAT COUNTER REGISTER (ACCESS F90h)

|       |       |       |       |       |       |       |       |
|-------|-------|-------|-------|-------|-------|-------|-------|
| R/W-0 | R/W-0 | R/W-0 | R/W-0 | R/W-0 | R/W-0 | R/W-0 | R/W-0 |
| ARPT7 | ARPT6 | ARPT5 | ARPT4 | ARPT3 | ARPT2 | ARPT1 | ARPT0 |
| bit 7 |       |       |       |       |       |       | bit 0 |

### Legend:

R = Readable bit

W = Writable bit

U = Unimplemented bit, read as '0'

-n = Value at POR

'1' = Bit is set

'0' = Bit is cleared

x = Bit is unknown

bit 7-0

**ARPT<7:0>:** Alarm Repeat Counter Value bits

11111111 = Alarm will repeat 255 more times

.

.

.

00000000 = Alarm will not repeat

The counter decrements on any alarm event. The counter is prevented from rolling over from 00h to FFh unless CHIME = 1.

# PIC18F46J50 FAMILY

## 17.1.2 RTCVALH AND RTCVALL REGISTER MAPPINGS

### REGISTER 17-6: RESERVED REGISTER (ACCESS F99h, PTR 11b)

|       |     |     |     |     |     |     |       |
|-------|-----|-----|-----|-----|-----|-----|-------|
| U-0   | U-0 | U-0 | U-0 | U-0 | U-0 | U-0 | U-0   |
| —     | —   | —   | —   | —   | —   | —   | —     |
| bit 7 |     |     |     |     |     |     | bit 0 |

#### Legend:

R = Readable bit                      W = Writable bit                      U = Unimplemented bit, read as '0'  
 -n = Value at POR                      '1' = Bit is set                      '0' = Bit is cleared                      x = Bit is unknown

bit 7-0                      **Unimplemented:** Read as '0'

### REGISTER 17-7: YEAR: YEAR VALUE REGISTER (ACCESS F98h, PTR 11b)<sup>(1)</sup>

|        |        |        |        |        |        |        |        |
|--------|--------|--------|--------|--------|--------|--------|--------|
| R/W-x  | R/W-x  | R/W-x  | R/W-x  | R/W-x  | R/W-x  | R/W-x  | R/W-x  |
| YRTEN3 | YRTEN2 | YRTEN1 | YRTEN0 | YRONE3 | YRONE2 | YRONE1 | YRONE0 |
| bit 7  |        |        |        |        |        |        | bit 0  |

#### Legend:

R = Readable bit                      W = Writable bit                      U = Unimplemented bit, read as '0'  
 -n = Value at POR                      '1' = Bit is set                      '0' = Bit is cleared                      x = Bit is unknown

bit 7-4                      **YRTEN<3:0>:** Binary Coded Decimal Value of Year's Tens Digit bits  
 Contains a value from 0 to 9.

bit 3-0                      **YRONE<3:0>:** Binary Coded Decimal Value of Year's Ones Digit bits  
 Contains a value from 0 to 9.

**Note 1:** A write to the YEAR register is only allowed when RTCWREN = 1.

### REGISTER 17-8: MONTH: MONTH VALUE REGISTER (ACCESS F99h, PTR 10b)<sup>(1)</sup>

|       |     |     |         |         |         |         |         |
|-------|-----|-----|---------|---------|---------|---------|---------|
| U-0   | U-0 | U-0 | R/W-x   | R/W-x   | R/W-x   | R/W-x   | R/W-x   |
| —     | —   | —   | MHTTEN0 | MTHONE3 | MTHONE2 | MTHONE1 | MTHONE0 |
| bit 7 |     |     |         |         |         |         | bit 0   |

#### Legend:

R = Readable bit                      W = Writable bit                      U = Unimplemented bit, read as '0'  
 -n = Value at POR                      '1' = Bit is set                      '0' = Bit is cleared                      x = Bit is unknown

bit 7-5                      **Unimplemented:** Read as '0'

bit 4                      **MHTTEN0:** Binary Coded Decimal Value of Month's Tens Digit bit  
 Contains a value of 0 or 1.

bit 3-0                      **MTHONE<3:0>:** Binary Coded Decimal Value of Month's Ones Digit bits  
 Contains a value from 0 to 9.

**Note 1:** A write to this register is only allowed when RTCWREN = 1.

# PIC18F46J50 FAMILY

## REGISTER 17-9: DAY: DAY VALUE REGISTER (ACCESS F98h, PTR 10b)<sup>(1)</sup>

|       |     |         |         |         |         |         |         |
|-------|-----|---------|---------|---------|---------|---------|---------|
| U-0   | U-0 | R/W-x   | R/W-x   | R/W-x   | R/W-x   | R/W-x   | R/W-x   |
| —     | —   | DAYTEN1 | DAYTEN0 | DAYONE3 | DAYONE2 | DAYONE1 | DAYONE0 |
| bit 7 |     |         |         |         |         |         | bit 0   |

### Legend:

R = Readable bit                      W = Writable bit                      U = Unimplemented bit, read as '0'  
 -n = Value at POR                      '1' = Bit is set                      '0' = Bit is cleared                      x = Bit is unknown

- bit 7-6                      **Unimplemented:** Read as '0'
- bit 5-4                      **DAYTEN<1:0>:** Binary Coded Decimal value of Day's Tens Digit bits  
Contains a value from 0 to 3.
- bit 3-0                      **DAYONE<3:0>:** Binary Coded Decimal Value of Day's Ones Digit bits  
Contains a value from 0 to 9.

**Note 1:** A write to this register is only allowed when RTCWREN = 1.

## REGISTER 17-10: WKDY: WEEKDAY VALUE REGISTER (ACCESS F99h, PTR 01b)<sup>(1)</sup>

|       |     |     |     |     |       |       |       |
|-------|-----|-----|-----|-----|-------|-------|-------|
| U-0   | U-0 | U-0 | U-0 | U-0 | R/W-x | R/W-x | R/W-x |
| —     | —   | —   | —   | —   | WDAY2 | WDAY1 | WDAY0 |
| bit 7 |     |     |     |     |       |       | bit 0 |

### Legend:

R = Readable bit                      W = Writable bit                      U = Unimplemented bit, read as '0'  
 -n = Value at POR                      '1' = Bit is set                      '0' = Bit is cleared                      x = Bit is unknown

- bit 7-3                      **Unimplemented:** Read as '0'
- bit 2-0                      **WDAY<2:0>:** Binary Coded Decimal Value of Weekday Digit bits  
Contains a value from 0 to 6.

**Note 1:** A write to this register is only allowed when RTCWREN = 1.



# PIC18F46J50 FAMILY

## REGISTER 17-11: HOURS: HOURS VALUE REGISTER (ACCESS F98h, PTR 01b)<sup>(1)</sup>

|       |     |        |        |        |        |        |        |
|-------|-----|--------|--------|--------|--------|--------|--------|
| U-0   | U-0 | R/W-x  | R/W-x  | R/W-x  | R/W-x  | R/W-x  | R/W-x  |
| —     | —   | HRTEN1 | HRTEN0 | HRONE3 | HRONE2 | HRONE1 | HRONE0 |
| bit 7 |     |        |        |        |        |        | bit 0  |

### Legend:

R = Readable bit                      W = Writable bit                      U = Unimplemented bit, read as '0'  
 -n = Value at POR                      '1' = Bit is set                      '0' = Bit is cleared                      x = Bit is unknown

- bit 7-6            **Unimplemented:** Read as '0'
- bit 5-4            **HRTEN<1:0>:** Binary Coded Decimal Value of Hour's Tens Digit bits  
Contains a value from 0 to 2.
- bit 3-0            **HRONE<3:0>:** Binary Coded Decimal Value of Hour's Ones Digit bits  
Contains a value from 0 to 9.

**Note 1:** A write to this register is only allowed when RTCWREN = 1.

## REGISTER 17-12: MINUTES: MINUTES VALUE REGISTER (ACCESS F99h, PTR 00b)

|       |         |         |         |         |         |         |         |
|-------|---------|---------|---------|---------|---------|---------|---------|
| U-0   | R/W-x   | R/W-x   | R/W-x   | R/W-x   | R/W-x   | R/W-x   | R/W-x   |
| —     | MINTEN2 | MINTEN1 | MINTEN0 | MINONE3 | MINONE2 | MINONE1 | MINONE0 |
| bit 7 |         |         |         |         |         |         | bit 0   |

### Legend:

R = Readable bit                      W = Writable bit                      U = Unimplemented bit, read as '0'  
 -n = Value at POR                      '1' = Bit is set                      '0' = Bit is cleared                      x = Bit is unknown

- bit 7              **Unimplemented:** Read as '0'
- bit 6-4            **MINTEN<2:0>:** Binary Coded Decimal Value of Minute's Tens Digit bits  
Contains a value from 0 to 5.
- bit 3-0            **MINONE<3:0>:** Binary Coded Decimal Value of Minute's Ones Digit bits  
Contains a value from 0 to 9.

## REGISTER 17-13: SECONDS: SECONDS VALUE REGISTER (ACCESS F98h, PTR 00b)

|       |         |         |         |         |         |         |         |
|-------|---------|---------|---------|---------|---------|---------|---------|
| U-0   | R/W-x   | R/W-x   | R/W-x   | R/W-x   | R/W-x   | R/W-x   | R/W-x   |
| —     | SECTEN2 | SECTEN1 | SECTEN0 | SECONE3 | SECONE2 | SECONE1 | SECONE0 |
| bit 7 |         |         |         |         |         |         | bit 0   |

### Legend:

R = Readable bit                      W = Writable bit                      U = Unimplemented bit, read as '0'  
 -n = Value at POR                      '1' = Bit is set                      '0' = Bit is cleared                      x = Bit is unknown

- bit 7              **Unimplemented:** Read as '0'
- bit 6-4            **SECTEN<2:0>:** Binary Coded Decimal Value of Second's Tens Digit bits  
Contains a value from 0 to 5.
- bit 3-0            **SECONE<3:0>:** Binary Coded Decimal Value of Second's Ones Digit bits  
Contains a value from 0 to 9.

# PIC18F46J50 FAMILY

## 17.1.3 ALRMVALH AND ALRMVALL REGISTER MAPPINGS

### REGISTER 17-14: ALRMMNTH: ALARM MONTH VALUE REGISTER (ACCESS F8Fh, PTR 10b)<sup>(1)</sup>

|       |     |     |         |         |         |         |         |
|-------|-----|-----|---------|---------|---------|---------|---------|
| U-0   | U-0 | U-0 | R/W-x   | R/W-x   | R/W-x   | R/W-x   | R/W-x   |
| —     | —   | —   | MHTTEN0 | MTHONE3 | MTHONE2 | MTHONE1 | MTHONE0 |
| bit 7 |     |     |         |         |         |         | bit 0   |

**Legend:**

R = Readable bit                      W = Writable bit                      U = Unimplemented bit, read as '0'  
 -n = Value at POR                      '1' = Bit is set                      '0' = Bit is cleared                      x = Bit is unknown

- bit 7-5            **Unimplemented:** Read as '0'
- bit 4            **MHTTEN0:** Binary Coded Decimal Value of Month's Tens Digit bit  
Contains a value of 0 or 1.
- bit 3-0           **MTHONE<3:0>:** Binary Coded Decimal Value of Month's Ones Digit bits  
Contains a value from 0 to 9.

**Note 1:** A write to this register is only allowed when RTCWREN = 1.

### REGISTER 17-15: ALRMDAY: ALARM DAY VALUE REGISTER (ACCESS F8Eh, PTR 10b)<sup>(1)</sup>

|       |     |         |         |         |         |         |         |
|-------|-----|---------|---------|---------|---------|---------|---------|
| U-0   | U-0 | R/W-x   | R/W-x   | R/W-x   | R/W-x   | R/W-x   | R/W-x   |
| —     | —   | DAYTEN1 | DAYTEN0 | DAYONE3 | DAYONE2 | DAYONE1 | DAYONE0 |
| bit 7 |     |         |         |         |         |         | bit 0   |

**Legend:**

R = Readable bit                      W = Writable bit                      U = Unimplemented bit, read as '0'  
 -n = Value at POR                      '1' = Bit is set                      '0' = Bit is cleared                      x = Bit is unknown

- bit 7-6            **Unimplemented:** Read as '0'
- bit 5-4           **DAYTEN<1:0>:** Binary Coded Decimal Value of Day's Tens Digit bits  
Contains a value from 0 to 3.
- bit 3-0           **DAYONE<3:0>:** Binary Coded Decimal Value of Day's Ones Digit bits  
Contains a value from 0 to 9.

**Note 1:** A write to this register is only allowed when RTCWREN = 1.

# PIC18F46J50 FAMILY

## REGISTER 17-16: ALRMWD: ALARM WEEKDAY VALUE REGISTER (ACCESS F8Fh, PTR 01b)<sup>(1)</sup>

|       |     |     |     |     |       |       |       |
|-------|-----|-----|-----|-----|-------|-------|-------|
| U-0   | U-0 | U-0 | U-0 | U-0 | R/W-x | R/W-x | R/W-x |
| —     | —   | —   | —   | —   | WDAY2 | WDAY1 | WDAY0 |
| bit 7 |     |     |     |     |       | bit 0 |       |

### Legend:

R = Readable bit                      W = Writable bit                      U = Unimplemented bit, read as '0'  
 -n = Value at POR                      '1' = Bit is set                      '0' = Bit is cleared                      x = Bit is unknown

bit 7-3                      **Unimplemented:** Read as '0'

bit 2-0                      **WDAY<2:0>:** Binary Coded Decimal Value of Weekday Digit bits  
 Contains a value from 0 to 6.

**Note 1:** A write to this register is only allowed when RTCWREN = 1.

## REGISTER 17-17: ALRMHR: ALARM HOURS VALUE REGISTER (ACCESS F8Eh, PTR 01b)<sup>(1)</sup>

|       |     |        |        |        |        |        |        |
|-------|-----|--------|--------|--------|--------|--------|--------|
| U-0   | U-0 | R/W-x  | R/W-x  | R/W-x  | R/W-x  | R/W-x  | R/W-x  |
| —     | —   | HRTEN1 | HRTEN0 | HRONE3 | HRONE2 | HRONE1 | HRONE0 |
| bit 7 |     |        |        |        |        | bit 0  |        |

### Legend:

R = Readable bit                      W = Writable bit                      U = Unimplemented bit, read as '0'  
 -n = Value at POR                      '1' = Bit is set                      '0' = Bit is cleared                      x = Bit is unknown

bit 7-6                      **Unimplemented:** Read as '0'

bit 5-4                      **HRTEN<1:0>:** Binary Coded Decimal Value of Hour's Tens Digit bits  
 Contains a value from 0 to 2.

bit 3-0                      **HRONE3:HRONE0:** Binary Coded Decimal Value of Hour's Ones Digit bits  
 Contains a value from 0 to 9.

**Note 1:** A write to this register is only allowed when RTCWREN = 1.

# PIC18F46J50 FAMILY

## REGISTER 17-18: ALRMMIN: ALARM MINUTES VALUE REGISTER (ACCESS F8Fh, PTR 00b)

| U-0   | R/W-x   | R/W-x   | R/W-x   | R/W-x   | R/W-x   | R/W-x   | R/W-x   |
|-------|---------|---------|---------|---------|---------|---------|---------|
| —     | MINTEN2 | MINTEN1 | MINTEN0 | MINONE3 | MINONE2 | MINONE1 | MINONE0 |
| bit 7 |         |         |         |         |         |         | bit 0   |

### Legend:

R = Readable bit

W = Writable bit

U = Unimplemented bit, read as '0'

-n = Value at POR

'1' = Bit is set

'0' = Bit is cleared

x = Bit is unknown

bit 7 **Unimplemented:** Read as '0'

bit 6-4 **MINTEN<2:0>:** Binary Coded Decimal Value of Minute's Tens Digit bits  
Contains a value from 0 to 5.

bit 3-0 **MINONE<3:0>:** Binary Coded Decimal Value of Minute's Ones Digit bits  
Contains a value from 0 to 9.

## REGISTER 17-19: ALRMSEC: ALARM SECONDS VALUE REGISTER (ACCESS F8Eh, PTR 00b)

| U-0   | R/W-x   | R/W-x   | R/W-x   | R/W-x   | R/W-x   | R/W-x   | R/W-x   |
|-------|---------|---------|---------|---------|---------|---------|---------|
| —     | SECTEN2 | SECTEN1 | SECTEN0 | SECONE3 | SECONE2 | SECONE1 | SECONE0 |
| bit 7 |         |         |         |         |         |         | bit 0   |

### Legend:

R = Readable bit

W = Writable bit

U = Unimplemented bit, read as '0'

-n = Value at POR

'1' = Bit is set

'0' = Bit is cleared

x = Bit is unknown

bit 7 **Unimplemented:** Read as '0'

bit 6-4 **SECTEN<2:0>:** Binary Coded Decimal Value of Second's Tens Digit bits  
Contains a value from 0 to 5.

bit 3-0 **SECONE<3:0>:** Binary Coded Decimal Value of Second's Ones Digit bits  
Contains a value from 0 to 9.

## 17.1.4 RTCEN BIT WRITE

An attempt to write to the RTCEN bit while RTCWREN = 0 will be ignored. RTCWREN must be set before a write to RTCEN can take place.

Like the RTCEN bit, the RTCVALH and RTCVALL registers can only be written to when RTCWREN = 1. A write to these registers, while RTCWREN = 0, will be ignored.

## 17.2 Operation

### 17.2.1 REGISTER INTERFACE

The register interface for the RTCC and alarm values is implemented using the Binary Coded Decimal (BCD) format. This simplifies the firmware, when using the module, as each of the digits is contained within its own 4-bit value (see [Figure 17-2](#) and [Figure 17-3](#)).

**FIGURE 17-2: TIMER DIGIT FORMAT**



**FIGURE 17-3: ALARM DIGIT FORMAT**



# PIC18F46J50 FAMILY

## 17.2.2 CLOCK SOURCE

As mentioned earlier, the RTCC module is intended to be clocked by an external Real-Time Clock (RTC) crystal oscillating at 32.768 kHz, but can also be clocked by the INTRC. The RTCC clock selection is decided by the RTCOSC bit (CONFIG3L<1>).

Calibration of the crystal can be done through this module to yield an error of 3 seconds or less per month. (For further details, see [Section 17.2.9 “Calibration”](#).)

**FIGURE 17-4: CLOCK SOURCE MULTIPLEXING**



### 17.2.2.1 Real-Time Clock Enable

The RTCC module can be clocked by an external, 32.768 kHz crystal (Timer1 oscillator or T1CKI input) or the INTRC oscillator, which can be selected in CONFIG3L<1>.

If the Timer1 oscillator will be used as the clock source for the RTCC, make sure to enable it by setting T1CON<3> (T1OSCEN). The selected RTC clock can be brought out to the RTCC pin by the RTSECSEL<1:0> bits in the PADCFG register.

### 17.2.3 DIGIT CARRY RULES

This section explains which timer values are affected when there is a rollover.

- Time of Day: From 23:59:59 to 00:00:00 with a carry to the Day field
- Month: From 12/31 to 01/01 with a carry to the Year field
- Day of Week: From 6 to 0 with no carry (see [Table 17-1](#))
- Year Carry: From 99 to 00; this also surpasses the use of the RTCC

For the day to month rollover schedule, see [Table 17-2](#).

Considering that the following values are in BCD format, the carry to the upper BCD digit will occur at a count of 10 and not at 16 (SECONDS, MINUTES, HOURS, WEEKDAY, DAYS and MONTHS).

**TABLE 17-1: DAY OF WEEK SCHEDULE**

| Day of Week |   |
|-------------|---|
| Sunday      | 0 |
| Monday      | 1 |
| Tuesday     | 2 |
| Wednesday   | 3 |
| Thursday    | 4 |
| Friday      | 5 |
| Saturday    | 6 |

**TABLE 17-2: DAY TO MONTH ROLLOVER SCHEDULE**

| Month          | Maximum Day Field       |
|----------------|-------------------------|
| 01 (January)   | 31                      |
| 02 (February)  | 28 or 29 <sup>(1)</sup> |
| 03 (March)     | 31                      |
| 04 (April)     | 30                      |
| 05 (May)       | 31                      |
| 06 (June)      | 30                      |
| 07 (July)      | 31                      |
| 08 (August)    | 31                      |
| 09 (September) | 30                      |
| 10 (October)   | 31                      |
| 11 (November)  | 30                      |
| 12 (December)  | 31                      |

**Note 1:** See [Section 17.2.4 “Leap Year”](#).

## 17.2.4 LEAP YEAR

Since the year range on the RTCC module is 2000 to 2099, the leap year calculation is determined by any year divisible by ‘4’ in the above range. Only February is effected in a leap year.

February will have 29 days in a leap year and 28 days in any other year.

## 17.2.5 GENERAL FUNCTIONALITY

All Timer registers containing a time value of seconds or greater are writable. The user configures the time by writing the required year, month, day, hour, minutes and seconds to the Timer registers, via Register Pointers (see [Section 17.2.8 “Register Mapping”](#)).

The timer uses the newly written values and proceeds with the count from the required starting point.

The RTCC is enabled by setting the RTCEN bit (RTCCFGL<7>). If enabled, while adjusting these registers, the timer still continues to increment. However, any time the MINSEC register is written to, both of the timer prescalers are reset to ‘0’. This allows fraction of a second synchronization.

The Timer registers are updated in the same cycle as the write instruction’s execution by the CPU. The user must ensure that when RTCEN = 1, the updated registers will not be incremented at the same time. This can be accomplished in several ways:

- By checking the RTCSYNC bit (RTCCFG<4>)
- By checking the preceding digits from which a carry can occur
- By updating the registers immediately following the seconds pulse (or alarm interrupt)

The user has visibility to the half-second field of the counter. This value is read-only and can be reset only by writing to the lower half of the SECONDS register.

## 17.2.6 SAFETY WINDOW FOR REGISTER READS AND WRITES

The RTCSYNC bit indicates a time window during which the RTCC Clock Domain registers can be safely read and written without concern about a rollover. When RTCSYNC = 0, the registers can be safely accessed by the CPU.

Whether RTCSYNC = 1 or 0, the user should employ a firmware solution to ensure that the data read did not fall on a rollover boundary, resulting in an invalid or partial read. This firmware solution would consist of reading each register twice and then comparing the two values. If the two values matched, then, a rollover did not occur.

## 17.2.7 WRITE LOCK

In order to perform a write to any of the RTCC Timer registers, the RTCWREN bit (RTCCFG<5>) must be set.

To avoid accidental writes to the RTCC Timer register, it is recommended that the RTCWREN bit (RTCCFG<5>) be kept clear at any time other than while writing to. For the RTCWREN bit to be set, there is only one instruction cycle time window allowed between the 55h/AA sequence and the setting of RTCWREN. For that reason, it is recommended that users follow the code example in [Example 17-1](#).

### EXAMPLE 17-1: SETTING THE RTCWREN BIT

```

movlb 0x0F          ;RTCCFG is banked
bcf   INTCON, GIE  ;Disable interrupts
movlw 0x55
movwf EECON2
movlw 0xAA
movwf EECON2
bsf   RTCCFG, RTCWREN
    
```

## 17.2.8 REGISTER MAPPING

To limit the register interface, the RTCC Timer and Alarm Timer registers are accessed through corresponding Register Pointers. The RTCC Value register window (RTCVALH<15:8> and RTCVALL<7:0>) uses the RTCPTR bits (RTCCFG<1:0>) to select the required Timer register pair.

By reading or writing to the RTCVALH register, the RTCC Pointer value (RTCPTR<1:0>) decrements by 1 until it reaches ‘00’. Once it reaches ‘00’, the MINUTES and SECONDS value will be accessible through RTCVALH and RTCVALL until the pointer value is manually changed.

# PIC18F46J50 FAMILY

**TABLE 17-3: RTCVALH AND RTCVALL REGISTER MAPPING**

| RTCPTR<1:0> | RTCC Value Register Window |             |
|-------------|----------------------------|-------------|
|             | RTCVAL<15:8>               | RTCVAL<7:0> |
| 00          | MINUTES                    | SECONDS     |
| 01          | WEEKDAY                    | HOURS       |
| 10          | MONTH                      | DAY         |
| 11          | —                          | YEAR        |

The Alarm Value register window (ALRMVALH and ALRMVALL) uses the ALRMPTR bits (ALRMCFG<1:0>) to select the desired Alarm register pair.

By reading or writing to the ALRMVALH register, the Alarm Pointer value, ALRMPTR<1:0>, decrements by 1 until it reaches '00'. Once it reaches '00', the ALRMMIN and ALRMSEC value will be accessible through ALRMVALH and ALRMVALL until the pointer value is manually changed.

**TABLE 17-4: ALRMVAL REGISTER MAPPING**

| ALRMPTR<1:0> | Alarm Value Register Window |              |
|--------------|-----------------------------|--------------|
|              | ALRMVAL<15:8>               | ALRMVAL<7:0> |
| 00           | ALRMMIN                     | ALRMSEC      |
| 01           | ALRMWD                      | ALRMHR       |
| 10           | ALRMMNTH                    | ALRMDAY      |
| 11           | —                           | —            |

## 17.2.9 CALIBRATION

The real-time crystal input can be calibrated using the periodic auto-adjust feature. When properly calibrated, the RTCC can provide an error of less than three seconds per month.

To perform this calibration, find the number of error clock pulses and store the value in the lower half of the RTCCAL register. The 8-bit, signed value – loaded into RTCCAL – is multiplied by '4' and will either be added or subtracted from the RTCC timer, once every minute.

To calibrate the RTCC module:

1. Use another timer resource on the device to find the error of the 32.768 kHz crystal.
2. Convert the number of error clock pulses per minute (see Equation 17-1).

**EQUATION 17-1: CONVERTING ERROR CLOCK PULSES**

$$(Ideal\ Frequency\ (32,768) - Measured\ Frequency) * 60 = Error\ Clocks\ per\ Minute$$

- If the oscillator is *faster* than ideal (negative result from Step 2), the RCFGCALL register value needs to be negative. This causes the specified number of clock pulses to be subtracted from the timer counter once every minute.
  - If the oscillator is *slower* than ideal (positive result from Step 2), the RCFGCALL register value needs to be positive. This causes the specified number of clock pulses to be added to the timer counter once every minute.
3. Load the RTCCAL register with the correct value.

Writes to the RTCCAL register should occur only when the timer is turned off, or immediately after the rising edge of the seconds pulse.

**Note:** In determining the crystal's error value, it is the user's responsibility to include the crystal's initial error from drift due to temperature or crystal aging.



## 17.3 Alarm

The alarm features and characteristics are:

- Configurable from half a second to one year
- Enabled using the ALRMEN bit (ALRMCFG<7>, [Register 17-4](#))
- Offers one-time and repeat alarm options

### 17.3.1 CONFIGURING THE ALARM

The alarm feature is enabled using the ALRMEN bit.

This bit is cleared when an alarm is issued. The bit will not be cleared if the CHIME bit = 1 or if ALMRPT ≠ 0.

The interval selection of the alarm is configured through the ALRMCFG bits (AMASK<3:0>). (See [Figure 17-5](#).) These bits determine which and how many digits of the alarm must match the clock value for the alarm to occur.

The alarm can also be configured to repeat based on a preconfigured interval. The number of times this occurs after the alarm is enabled is stored in the ALMRPT register.

**Note:** While the alarm is enabled (ALRMEN = 1), changing any of the registers, other than the RTCCAL, ALRMCFG and ALMRPT registers, and the CHIME bit, can result in a false alarm event leading to a false alarm interrupt. To avoid this, only change the timer and alarm values while the alarm is disabled (ALRMEN = 0). It is recommended that the ALRMCFG and ALMRPT registers, and CHIME bit be changed when RTCSYNC = 0.

**FIGURE 17-5: ALARM MASK SETTINGS**

| Alarm Mask Setting<br>AMASK<3:0> | Day of the<br>Week         | Month   | Day   | Hours   | Minutes   | Seconds   |
|----------------------------------|----------------------------|---|---|---|---|---|
| 0000 – Every half second         | <input type="checkbox"/>   | <input type="checkbox"/> <input type="checkbox"/>     | <input type="checkbox"/> <input type="checkbox"/>     | <input type="checkbox"/> <input type="checkbox"/>     | <input type="checkbox"/> <input type="checkbox"/>     | <input type="checkbox"/> <input type="checkbox"/>     |
| 0001 – Every second              | <input type="checkbox"/>   | <input type="checkbox"/> <input type="checkbox"/>     | <input type="checkbox"/> <input type="checkbox"/>     | <input type="checkbox"/> <input type="checkbox"/>     | <input type="checkbox"/> <input type="checkbox"/>     | <input type="checkbox"/> <input type="checkbox"/>     |
| 0010 – Every 10 seconds          | <input type="checkbox"/>   | <input type="checkbox"/> <input type="checkbox"/>     | <input type="checkbox"/> <input type="checkbox"/>     | <input type="checkbox"/> <input type="checkbox"/>     | <input type="checkbox"/> <input type="checkbox"/>     | <input type="checkbox"/> <input type="checkbox"/> s   |
| 0011 – Every minute              | <input type="checkbox"/>   | <input type="checkbox"/> <input type="checkbox"/>     | <input type="checkbox"/> <input type="checkbox"/>     | <input type="checkbox"/> <input type="checkbox"/>     | <input type="checkbox"/> <input type="checkbox"/>     | <input type="checkbox"/> s <input type="checkbox"/> s |
| 0100 – Every 10 minutes          | <input type="checkbox"/>   | <input type="checkbox"/> <input type="checkbox"/>     | <input type="checkbox"/> <input type="checkbox"/>     | <input type="checkbox"/> <input type="checkbox"/>     | <input type="checkbox"/> m                            | <input type="checkbox"/> s <input type="checkbox"/> s |
| 0101 – Every hour                | <input type="checkbox"/>   | <input type="checkbox"/> <input type="checkbox"/>     | <input type="checkbox"/> <input type="checkbox"/>     | <input type="checkbox"/> <input type="checkbox"/>     | <input type="checkbox"/> m <input type="checkbox"/> m | <input type="checkbox"/> s <input type="checkbox"/> s |
| 0110 – Every day                 | <input type="checkbox"/>   | <input type="checkbox"/> <input type="checkbox"/>     | <input type="checkbox"/> <input type="checkbox"/>     | <input type="checkbox"/> h <input type="checkbox"/> h | <input type="checkbox"/> m <input type="checkbox"/> m | <input type="checkbox"/> s <input type="checkbox"/> s |
| 0111 – Every week                | <input type="checkbox"/> d | <input type="checkbox"/> <input type="checkbox"/>     | <input type="checkbox"/> <input type="checkbox"/>     | <input type="checkbox"/> h <input type="checkbox"/> h | <input type="checkbox"/> m <input type="checkbox"/> m | <input type="checkbox"/> s <input type="checkbox"/> s |
| 1000 – Every month               | <input type="checkbox"/>   | <input type="checkbox"/> <input type="checkbox"/>     | <input type="checkbox"/> d <input type="checkbox"/> d | <input type="checkbox"/> h <input type="checkbox"/> h | <input type="checkbox"/> m <input type="checkbox"/> m | <input type="checkbox"/> s <input type="checkbox"/> s |
| 1001 – Every year <sup>(1)</sup> | <input type="checkbox"/>   | <input type="checkbox"/> m <input type="checkbox"/> m | <input type="checkbox"/> d <input type="checkbox"/> d | <input type="checkbox"/> h <input type="checkbox"/> h | <input type="checkbox"/> m <input type="checkbox"/> m | <input type="checkbox"/> s <input type="checkbox"/> s |

**Note 1:** Annually, except when configured for February 29.

# PIC18F46J50 FAMILY

When  $ALRMCFG = 00$  and the CHIME bit = 0 ( $ALRMCFG<6>$ ), the repeat function is disabled and only a single alarm will occur. The alarm can be repeated up to 255 times by loading the ALMRPT register with FFh.

After each alarm is issued, the ALMRPT register is decremented by one. Once the register has reached '00', the alarm will be issued one last time.

After the alarm is issued a last time, the ALRMEN bit is cleared automatically and the alarm turned off. Indefinite repetition of the alarm can occur if the CHIME bit = 1.

When CHIME = 1, the alarm is not disabled when the ALMRPT register reaches '00', but it rolls over to FF and continues counting indefinitely.

## 17.3.2 ALARM INTERRUPT

At every alarm event, an interrupt is generated. Additionally, an alarm pulse output is provided that operates at half the frequency of the alarm.

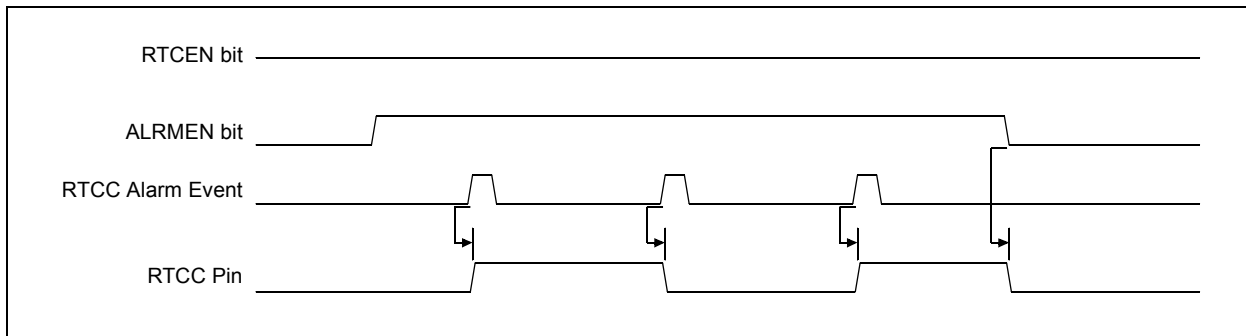
The alarm pulse output is completely synchronous with the RTCC clock and can be used as a trigger clock to other peripherals. This output is available on the RTCC pin. The output pulse is a clock with a 50% duty cycle and a frequency half that of the alarm event (see Figure 17-6).

The RTCC pin also can output the seconds clock. The user can select between the alarm pulse, generated by the RTCC module, or the seconds clock output.

The RTSECSEL (PADCFG1<2:1>) bits select between these two outputs:

- Alarm pulse –  $RTSECSEL<2:1> = 00$
- Seconds clock –  $RTSECSEL<2:1> = 01$

**FIGURE 17-6: TIMER PULSE GENERATION**



## 17.4 Low-Power Modes

The timer and alarm can optionally continue to operate while in Sleep, Idle and even Deep Sleep mode. An alarm event can be used to wake-up the microcontroller from any of these Low-Power modes.

## 17.5 Reset

### 17.5.1 DEVICE RESET

When a device Reset occurs, the ALRMCFG and ALMRPT registers are forced to the Reset state, causing the alarm to be disabled (if enabled prior to the Reset). If the RTCC was enabled, it will continue to operate when a basic device Reset occurs.

### 17.5.2 POWER-ON RESET (POR)

The RTCCFG and ALMRPT registers are reset only on a POR. Once the device exits the POR state, the clock registers should be reloaded with the desired values.

The timer prescaler values can be reset only by writing to the SECONDS register. No device Reset can affect the prescalers.

# PIC18F46J50 FAMILY

## 17.6 Register Maps

Table 17-5, Table 17-6 and Table 17-7 summarize the registers associated with the RTCC module.

**TABLE 17-5: RTCC CONTROL REGISTERS**

| File Name | Bit 7  | Bit 6  | Bit 5   | Bit 4   | Bit 3   | Bit 2     | Bit 1     | Bit 0    | All Resets |
|-----------|--------|--------|---------|---------|---------|-----------|-----------|----------|------------|
| RTCCFG    | RTCEN  | —      | RTCWREN | RTCSYNC | HALFSEC | RTCOE     | RTCPTR1   | RTCPTR0  | 0000       |
| RTCCAL    | CAL7   | CAL6   | CAL5    | CAL4    | CAL3    | CAL2      | CAL1      | CAL0     | 0000       |
| PADCFG1   | —      | —      | —       | —       | —       | RTSECSEL1 | RTSECSEL0 | PMPTTL   | 0000       |
| ALRMCFG   | ALRMEN | CHIME  | AMASK3  | AMASK2  | AMASK1  | AMASK0    | ALRMPTR1  | ALRMPTR0 | 0000       |
| ALRMRPT   | ARPT7  | ARPT6  | ARPT5   | ARPT4   | ARPT3   | ARPT2     | ARPT1     | ARPT0    | 0000       |
| PIR3      | SSP2IF | BCL2IF | RC2IF   | TX2IF   | TMR4IF  | CTMUIF    | TMR3GIF   | RTCCCIF  | 0000       |
| PIE3      | SSP2IE | BCL2IE | RC2IE   | TX2IE   | TMR4IE  | CTMUIE    | TMR3GIE   | RTCCIE   | 0000       |
| IPR3      | SSP2IP | BCL2IP | RC2IP   | TX2IP   | TMR4IP  | CTMUIP    | TMR3GIP   | RTCCIP   | 0000       |

**Legend:** — = unimplemented, read as '0'. Reset values are shown in hexadecimal for 44-pin devices.

**TABLE 17-6: RTCC VALUE REGISTERS**

| File Name | Bit 7  | Bit 6 | Bit 5   | Bit 4   | Bit 3   | Bit 2  | Bit 1    | Bit 0    | All Resets |
|-----------|--|-------|---------|---------|---------|--------|----------|----------|------------|
| RTCVALH   | RTCC Value Register Window High Byte, Based on RTCPTR<1:0>   |       |         |         |         |        |          |          | xxxx       |
| RTCVALL   | RTCC Value Register Window Low Byte, Based on RTCPTR<1:0>    |       |         |         |         |        |          |          | xxxx       |
| RTCCFG    | RTCEN  | —     | RTCWREN | RTCSYNC | HALFSEC | RTCOE  | RTCPTR1  | RTCPTR0  | 0000       |
| ALRMCFG   | ALRMEN   | CHIME | AMASK3  | AMASK2  | AMASK1  | AMASK0 | ALRMPTR1 | ALRMPTR0 | 0000       |
| ALRMVALH  | Alarm Value Register Window High Byte, Based on ALRMPTR<1:0> |       |         |         |         |        |          |          | xxxx       |
| ALRMVALL  | Alarm Value Register Window Low Byte, Based on ALRMPTR<1:0>  |       |         |         |         |        |          |          | xxxx       |

**Legend:** — = unimplemented, read as '0'. Reset values are shown in hexadecimal for 44-pin devices.

**TABLE 17-7: ALARM VALUE REGISTERS**

| File Name | Bit 7  | Bit 6 | Bit 5 | Bit 4 | Bit 3 | Bit 2 | Bit 1 | Bit 0 | All Resets |
|-----------|--|-------|-------|-------|-------|-------|-------|-------|------------|
| ALRMRPT   | ARPT7  | ARPT6 | ARPT5 | ARPT4 | ARPT3 | ARPT2 | ARPT1 | ARPT0 | 0000       |
| ALRMVALH  | Alarm Value Register Window High Byte, Based on ALRMPTR<1:0> |       |       |       |       |       |       |       | xxxx       |
| ALRMVALL  | Alarm Value Register Window Low Byte, Based on ALRMPTR<1:0>  |       |       |       |       |       |       |       | xxxx       |
| RTCCAL    | CAL7   | CAL6  | CAL5  | CAL4  | CAL3  | CAL2  | CAL1  | CAL0  | 0000       |
| RTCVALH   | RTCC Value Register Window High Byte, Based on RTCPTR<1:0>   |       |       |       |       |       |       |       | xxxx       |
| RTCVALL   | RTCC Value Register Window Low Byte, Based on RTCPTR<1:0>    |       |       |       |       |       |       |       | xxxx       |

**Legend:** — = unimplemented, read as '0'. Reset values are shown in hexadecimal for 44-pin devices.

# PIC18F46J50 FAMILY

---

NOTES:

## 18.0 ENHANCED CAPTURE/COMPARE/PWM (ECCP) MODULE

PIC18F46J50 family devices have two Enhanced Capture/Compare/PWM (ECCP) modules: ECCP1 and ECCP2. These modules contain a 16-bit register, which can operate as a 16-bit Capture register, a 16-bit Compare register or a PWM Master/Slave Duty Cycle register. These ECCP modules are upward compatible with the standard CCP module found in many prior PIC16 and PIC18 devices.

**Note:** Register and bit names referencing one of the two ECCP modules substitute an 'x' for the module number. For example, registers CCP1CON and CCP2CON, which have the same definitions, are called CCPxCON. Figures and diagrams use ECCP1-based names, but those names also apply to ECCP2, with a "2" replacing the illustration name's "1".

When writing firmware, the "x" in register and bit names must be replaced with the appropriate module number.

ECCP1 and ECCP2 are implemented as standard CCP modules with enhanced PWM capabilities. These include:

- Provision for two or four output channels
- Output Steering modes
- Programmable polarity
- Programmable dead-band control
- Automatic shutdown and restart

The enhanced features are discussed in detail in [Section 18.5 "PWM \(Enhanced Mode\)"](#).

**Note:** PxA, PxB, PxC and PxD are associated with the remappable pins (RPn).

# PIC18F46J50 FAMILY

## REGISTER 18-1: CCPxCON: ENHANCED CAPTURE/COMPARE/PWM x CONTROL REGISTER (ACCESS FBAh, FB4h)

|       |       |       |       |        |        |        |        |
|-------|-------|-------|-------|--------|--------|--------|--------|
| R/W-0 | R/W-0 | R/W-0 | R/W-0 | R/W-0  | R/W-0  | R/W-0  | R/W-0  |
| PxM1  | PxM0  | DCxB1 | DCxB0 | CCPxM3 | CCPxM2 | CCPxM1 | CCPxM0 |
| bit 7 |       |       |       |        |        |        | bit 0  |

### Legend:

|                   |                  |                                    |
|-------------------|------------------|------------------------------------|
| R = Readable bit  | W = Writable bit | U = Unimplemented bit, read as '0' |
| -n = Value at POR | '1' = Bit is set | '0' = Bit is cleared               |
|                   |                  | x = Bit is unknown                 |

bit 7-6 **PxM<1:0>**: Enhanced PWM Output Configuration bits

If CCPxM<3:2> = 00, 01, 10:

xx = PxA is assigned as capture/compare input/output; PxB, PxC and PxD are assigned as port pins

If CCPxM<3:2> = 11:

00 = Single output: PxA, PxB, PxC and PxD are controlled by steering (see [Section 18.5.7 "Pulse Steering Mode"](#))

01 = Full-bridge output forward: PxD is modulated; PxA is active; PxB, PxC is inactive

10 = Half-bridge output: PxA, PxB are modulated with dead-band control; PxC and PxD are assigned as port pins

11 = Full-bridge output reverse: PxB is modulated; PxC is active; PxA and PxD are inactive

bit 5-4 **DCxB<1:0>**: PWM Duty Cycle bit 1 and bit 0

Capture mode:

Unused.

Compare mode:

Unused.

PWM mode:

These bits are the two LSBs of the 10-bit PWM duty cycle. The eight MSBs of the duty cycle are found in CCPRxL.

bit 3-0 **CCPxM<3:0>**: ECCPx Mode Select bits

0000 = Capture/Compare/PWM off (resets ECCPx module)

0001 = Reserved

0010 = Compare mode, toggle output on match

0011 = Capture mode

0100 = Capture mode, every falling edge

0101 = Capture mode, every rising edge

0110 = Capture mode, every 4<sup>th</sup> rising edge

0111 = Capture mode, every 16<sup>th</sup> rising edge

1000 = Compare mode, initialize ECCPx pin low, set output on compare match (set CCPxIF)

1001 = Compare mode, initialize ECCPx pin high, clear output on compare match (set CCPxIF)

1010 = Compare mode, generate software interrupt only, ECCPx pin reverts to I/O state

1011 = Compare mode, trigger special event (ECCPx resets TMR1 or TMR3, starts A/D conversion, sets CCxIF bit)

1100 = PWM mode; PxA and PxC are active-high; PxB and PxD are active-high

1101 = PWM mode; PxA and PxC are active-high; PxB and PxD are active-low

1110 = PWM mode; PxA and PxC are active-low; PxB and PxD are active-high

1111 = PWM mode; PxA and PxC are active-low; PxB and PxD are active-low

In addition to the expanded range of modes available through the CCPxCON and ECCPxAS registers, the ECCP modules have two additional registers associated with Enhanced PWM operation and auto-shutdown features. They are:

- ECCPxDEL (Enhanced PWM Control)
- PSTRxCON (Pulse Steering Control)

## 18.1 ECCP Outputs and Configuration

The Enhanced CCP module may have up to four PWM outputs, depending on the selected operating mode. These outputs, designated PxA through PxD, are routed through the Peripheral Pin Select (PPS) module. Therefore, individual functions may be mapped to any of the remappable I/O pins, RPn. The outputs that are active depend on the ECCP operating mode selected. The pin assignments are summarized in [Table 18-4](#).

To configure the I/O pins as PWM outputs, the proper PWM mode must be selected by setting the Pxm<1:0> and CCPxm<3:0> bits. The appropriate TRIS direction bits for the port pins must also be set as outputs and the output functions need to be assigned to I/O pins in the PPS module. (For details on configuring the module, see [Section 10.7 “Peripheral Pin Select \(PPS\)”](#).)

### 18.1.1 ECCP MODULE AND TIMER RESOURCES

The ECCP modules utilize Timers 1, 2, 3 or 4, depending on the mode selected. Timer1 and Timer3 are available to modules in Capture or Compare modes, while Timer2 and Timer4 are available for modules in PWM mode.

**TABLE 18-1: ECCP MODE – TIMER RESOURCE**

| ECCP Mode | Timer Resource   |
|-----------|------------------|
| Capture   | Timer1 or Timer3 |
| Compare   | Timer1 or Timer3 |
| PWM       | Timer2 or Timer4 |

The assignment of a particular timer to a module is determined by the Timer-to-ECCP enable bits in the TCLKCON register ([Register 13-3](#)). The interactions between the two modules are depicted in [Figure 18-1](#). Capture operations are designed to be used when the timer is configured for Synchronous Counter mode. Capture operations may not work as expected if the associated timer is configured for Asynchronous Counter mode.

# PIC18F46J50 FAMILY

## 18.2 Capture Mode

In Capture mode, the CCPxH:CCPxL register pair captures the 16-bit value of the TMR1 or TMR3 registers when an event occurs on the corresponding ECCPx pin. An event is defined as one of the following:

- Every falling edge
- Every rising edge
- Every 4<sup>th</sup> rising edge
- Every 16<sup>th</sup> rising edge

The event is selected by the mode select bits, CCPxM<3:0>, of the CCPxCON register. When a capture is made, the interrupt request flag bit, CCPxIF, is set; it must be cleared by software. If another capture occurs before the value in register CCPx is read, the old captured value is overwritten by the new captured value.

### 18.2.1 ECCP PIN CONFIGURATION

In Capture mode, the appropriate ECCPx pin should be configured as an input by setting the corresponding TRIS direction bit.

Additionally, the ECCPx input function needs to be assigned to an I/O pin through the Peripheral Pin Select module. For details on setting up the remappable pins, see [Section 10.7 “Peripheral Pin Select \(PPS\)”](#).

**Note:** If the ECCPx pin is configured as an output, a write to the port can cause a capture condition.

### 18.2.2 TIMER1/TIMER3 MODE SELECTION

The timers that are to be used with the capture feature (Timer1 and/or Timer3) must be running in Timer mode or Synchronized Counter mode. In Asynchronous Counter mode, the capture operation may not work. The timer to be used with each ECCP module is selected in the TCLKCON register ([Register 13-3](#)).

### 18.2.3 SOFTWARE INTERRUPT

When the Capture mode is changed, a false capture interrupt may be generated. The user should keep the CCPxIE interrupt enable bit clear to avoid false interrupts. The interrupt flag bit, CCPxIF, should also be cleared following any such change in operating mode.

### 18.2.4 ECCP PRESCALER

There are four prescaler settings in Capture mode; they are specified as part of the operating mode selected by the mode select bits (CCPxM<3:0>). Whenever the ECCP module is turned off, or Capture mode is disabled, the prescaler counter is cleared. This means that any Reset will clear the prescaler counter.

Switching from one capture prescaler to another may generate an interrupt. Also, the prescaler counter will not be cleared; therefore, the first capture may be from a non-zero prescaler. [Example 18-1](#) provides the recommended method for switching between capture prescalers. This example also clears the prescaler counter and will not generate the “false” interrupt.

#### EXAMPLE 18-1: CHANGING BETWEEN CAPTURE PRESCALERS

```

CLRF  CCP1CON    ; Turn CCP module off
MOVLW NEW_CAPT_PS ; Load WREG with the
                  ; new prescaler mode
                  ; value and CCP ON
MOVWF  CCP1CON    ; Load CCP1CON with
                  ; this value
    
```

**FIGURE 18-1: CAPTURE MODE OPERATION BLOCK DIAGRAM**





## 18.3 Compare Mode

In Compare mode, the 16-bit CCPRx register value is constantly compared against either the TMR1 or TMR3 register pair value. When a match occurs, the ECCPx pin can be:

- Driven high
- Driven low
- Toggled (high-to-low or low-to-high)
- Remain unchanged (that is, reflects the state of the I/O latch)

The action on the pin is based on the value of the mode select bits (CCPxM<3:0>). At the same time, the interrupt flag bit, CCPxIF, is set.

### 18.3.1 ECCP PIN CONFIGURATION

Users must configure the ECCPx pin as an output by clearing the appropriate TRIS bit.

**Note:** Clearing the CCPxCON register will force the ECCPx compare output latch (depending on device configuration) to the default low level. This is not the PORTx I/O data latch.

### 18.3.2 TIMER1/TIMER3 MODE SELECTION

Timer1 and/or Timer3 must be running in Timer mode or Synchronized Counter mode if the ECCP module is using the compare feature. In Asynchronous Counter mode, the compare operation will not work reliably.

### 18.3.3 SOFTWARE INTERRUPT MODE

When the Generate Software Interrupt mode is chosen (CCPxM<3:0> = 1010), the ECCPx pin is not affected; only the CCPxIF interrupt flag is affected.

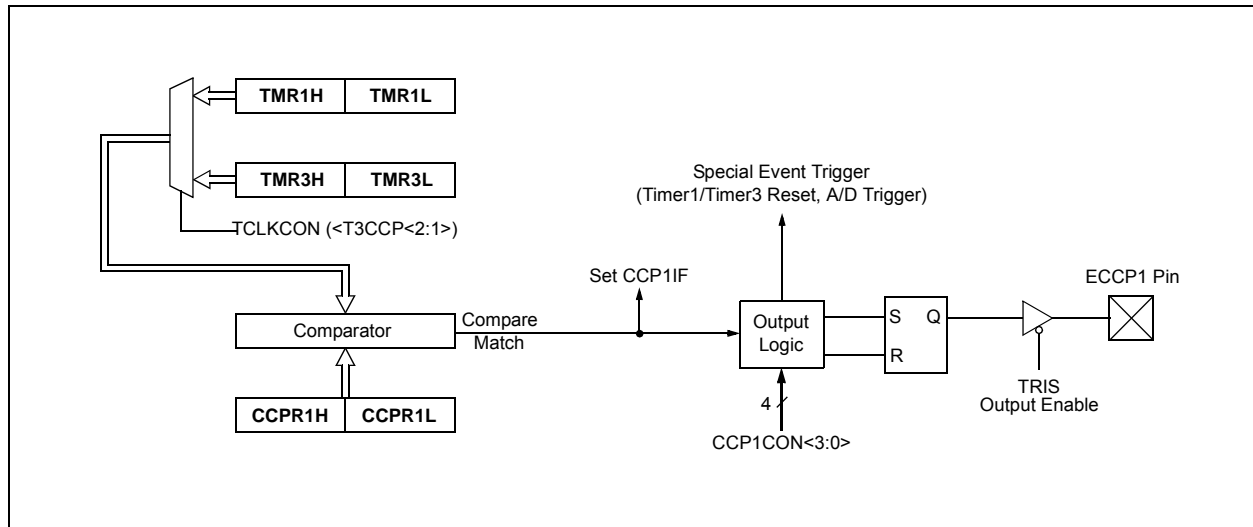
### 18.3.4 SPECIAL EVENT TRIGGER

The ECCP module is equipped with a Special Event Trigger. This is an internal hardware signal generated in Compare mode to trigger actions by other modules. The Special Event Trigger is enabled by selecting the Compare Special Event Trigger mode (CCPxM<3:0> = 1011).

The Special Event Trigger resets the Timer register pair for whichever timer resource is currently assigned as the module's time base. This allows the CCPRx registers to serve as a programmable period register for either timer.

The Special Event Trigger can also start an A/D conversion. In order to do this, the A/D Converter must already be enabled.

**FIGURE 18-2: COMPARE MODE OPERATION BLOCK DIAGRAM**



# PIC18F46J50 FAMILY

## 18.4 PWM Mode

In Pulse-Width Modulation (PWM) mode, the CCPx pin produces up to a 10-bit resolution PWM output.

Figure 18-3 shows a simplified block diagram of the CCP module in PWM mode.

For a step-by-step procedure on how to set up a CCP module for PWM operation, see Section 18.4.3 “Setup for PWM Operation”.

**FIGURE 18-3: SIMPLIFIED PWM BLOCK DIAGRAM**



A PWM output (Figure 18-4) has a time base (period) and a time that the output stays high (duty cycle). The frequency of the PWM is the inverse of the period (1/period).

**FIGURE 18-4: PWM OUTPUT**



### 18.4.1 PWM PERIOD

The PWM period is specified by writing to the PR2 (PR4) register. The PWM period can be calculated using Equation 18-1:

**EQUATION 18-1:**

$$\text{PWM Period} = [(PR2) + 1] \cdot 4 \cdot T_{osc} \cdot (\text{TMR2 Prescale Value})$$

PWM frequency is defined as 1/[PWM period].

When TMR2 (TMR4) is equal to PR2 (PR4), the following three events occur on the next increment cycle:

- TMR2 (TMR4) is cleared
- The CCPx pin is set (exception: if PWM Duty Cycle = 0%, the CCPx pin will not be set)
- The PWM duty cycle is latched from CCPRxL into CCPRxH

**Note:** The Timer2 and Timer 4 postsclers (see Section 15.0 “Timer3 Module” and Section 16.0 “Timer4 Module”) are not used in the determination of the PWM frequency. The postscler could be used to have a servo update rate at a different frequency than the PWM output.

### 18.4.2 PWM DUTY CYCLE

The PWM duty cycle is specified by writing to the CCPRxL register and to the CCPxCON<5:4> bits. Up to 10-bit resolution is available. The CCPRxL contains the eight MSBs and the CCPxCON<5:4> contains the two LSBs. This 10-bit value is represented by CCPRxL:CCPxCON<5:4>. Equation 18-2 is used to calculate the PWM duty cycle in time.

**EQUATION 18-2:**

$$\text{PWM Duty Cycle} = (\text{CCPRxL:CCPxCON<5:4>}) \cdot T_{osc} \cdot (\text{TMR2 Prescale Value})$$

CCPRxL and CCPxCON<5:4> can be written to at any time, but the duty cycle value is not latched into CCPRxH until after a match between PR2 (PR4) and TMR2 (TMR4) occurs (i.e., the period is complete). In PWM mode, CCPRxH is a read-only register.

# PIC18F46J50 FAMILY

The CCPRxH register and a 2-bit internal latch are used to double-buffer the PWM duty cycle. This double-buffering is essential for glitchless PWM operation.

When the CCPRxH and 2-bit latch match TMR2 (TMR4), concatenated with an internal 2-bit Q clock or 2 bits of the TMR2 (TMR4) prescaler, the CCPx pin is cleared.

The maximum PWM resolution (bits) for a given PWM frequency is given by [Equation 18-3](#):

## EQUATION 18-3:

$$\text{PWM Resolution (max)} = \frac{\log\left(\frac{F_{\text{OSC}}}{F_{\text{PWM}}}\right)}{\log(2)} \text{ bits}$$

**Note:** If the PWM duty cycle value is longer than the PWM period, the CCPx pin will not be cleared.

## 18.4.3 SETUP FOR PWM OPERATION

The following steps should be taken when configuring the CCP module for PWM operation:

1. Set the PWM period by writing to the PR2 (PR4) register.
2. Set the PWM duty cycle by writing to the CCPRxL register and CCPxCON<5:4> bits.
3. Make the CCPx pin an output by clearing the appropriate TRIS bit.
4. Set the TMR2 (TMR4) prescale value, then enable Timer2 (Timer4) by writing to T2CON (T4CON).
5. Configure the CCPx module for PWM operation.

**TABLE 18-2: EXAMPLE PWM FREQUENCIES AND RESOLUTIONS AT 40 MHz**

| PWM Frequency              | 2.44 kHz | 9.77 kHz | 39.06 kHz | 156.25 kHz | 312.50 kHz | 416.67 kHz |
|----------------------------|----------|----------|-----------|------------|------------|------------|
| Timer Prescaler (1, 4, 16) | 16       | 4        | 1         | 1          | 1          | 1          |
| PR2 Value                  | FFh      | FFh      | FFh       | 3Fh        | 1Fh        | 17h        |
| Maximum Resolution (bits)  | 10       | 10       | 10        | 8          | 7          | 6.58       |

# PIC18F46J50 FAMILY

**TABLE 18-3: REGISTERS ASSOCIATED WITH PWM, TIMER2 AND TIMER4**

| Name    | Bit 7                                    | Bit 6     | Bit 5           | Bit 4           | Bit 3           | Bit 2           | Bit 1            | Bit 0   | Reset Values on Page: |
|---------|--|-----------|-----------------|-----------------|-----------------|-----------------|------------------|---------|-----------------------|
| INTCON  | GIE/GIEH                                 | PEIE/GIEL | TMR0IE          | INT0IE          | RBIE            | TMR0IF          | INT0IF           | RBIF    | 69                    |
| RCON    | IPEN                                     | —         | $\overline{CM}$ | $\overline{RI}$ | $\overline{TO}$ | $\overline{PD}$ | $\overline{POR}$ | BOR     | 70                    |
| PIR1    | PMPIF                                    | ADIF      | RC1IF           | TX1IF           | SSP1IF          | CCP1IF          | TMR2IF           | TMR1IF  | 72                    |
| PIE1    | PMPIE                                    | ADIE      | RC1IE           | TX1IE           | SSP1IE          | CCP1IE          | TMR2IE           | TMR1IE  | 72                    |
| IPR1    | PMP1P                                    | ADIP      | RC1IP           | TX1IP           | SSP1IP          | CCP1IP          | TMR2IP           | TMR1IP  | 72                    |
| PIR3    | SSP2IF                                   | BCL2IF    | RC2IF           | TX2IF           | TMR4IF          | CTMUIF          | TMR3GIF          | RTCCIF  | 72                    |
| PIE3    | SSP2IE                                   | BCL2IE    | RC2IE           | TX2IE           | TMR4IE          | CTMUIE          | TMR3GIE          | RTCCIE  | 72                    |
| IPR3    | SSP2IP                                   | BCL2IP    | RC2IP           | TX2IP           | TMR4IP          | CTMUIP          | TMR3GIP          | RTCCIP  | 72                    |
| IPR2    | OSCFIP                                   | CM2IP     | CM1IP           | USBIP           | BCL1IP          | LVDIP           | TMR3IP           | CCP2IP  | 72                    |
| PIR2    | OSCFIF                                   | CM2IF     | CM1IF           | USBIF           | BCL1IF          | LVDIF           | TMR3IF           | CCP2IF  | 72                    |
| PIE2    | OSCFIE                                   | CM2IE     | CM1IE           | USBIE           | BCL1IE          | LVDIE           | TMR3IE           | CCP2IE  | 72                    |
| TCLKCON | —  | —         | —               | T1RUN           | —               | —               | T3CCP2           | T3CCP1  | 74                    |
| TMR2    | Timer2 Register                          |           |                 |                 |                 |                 |                  |         | 70                    |
| PR2     | Timer2 Period Register                   |           |                 |                 |                 |                 |                  |         | 70                    |
| T2CON   | —  | T2OUTPS3  | T2OUTPS2        | T2OUTPS1        | T2OUTPS0        | TMR2ON          | T2CKPS1          | T2CKPS0 | 70                    |
| TMR4    | Timer4 Register                          |           |                 |                 |                 |                 |                  |         | 73                    |
| PR4     | Timer4 Period Register                   |           |                 |                 |                 |                 |                  |         | 73                    |
| T4CON   | —  | T4OUTPS3  | T4OUTPS2        | T4OUTPS1        | T4OUTPS0        | TMR4ON          | T4CKPS1          | T4CKPS0 | 73                    |
| CCPR1L  | Capture/Compare/PWM Register 1 Low Byte  |           |                 |                 |                 |                 |                  |         | 71                    |
| CCPR1H  | Capture/Compare/PWM Register 1 High Byte |           |                 |                 |                 |                 |                  |         | 71                    |
| CCPRL2L | Capture/Compare/PWM Register 2 Low Byte  |           |                 |                 |                 |                 |                  |         | 71                    |
| CCPR2H  | Capture/Compare/PWM Register 2 High Byte |           |                 |                 |                 |                 |                  |         | 71                    |
| CCP1CON | P1M1                                     | P1M0      | DC1B1           | DC1B0           | CCP1M3          | CCP1M2          | CCP1M1           | CCP1M0  | 73                    |
| CCP2CON | P2M1                                     | P2M0      | DC2B1           | DC2B0           | CCP2M3          | CCP2M2          | CCP2M1           | CCP2M0  | 73                    |
| ODCON1  | —  | —         | —               | —               | —               | —               | ECCP2OD          | ECCP1OD | 74                    |

**Legend:** — = unimplemented, read as '0'. Shaded cells are not used by PWM, Timer2 or Timer4.

## 18.5 PWM (Enhanced Mode)

The Enhanced PWM mode can generate a PWM signal on up to four different output pins with up to 10 bits of resolution. It can do this through four different PWM Output modes:

- Single PWM
- Half-Bridge PWM
- Full-Bridge PWM, Forward mode
- Full-Bridge PWM, Reverse mode

To select an Enhanced PWM mode, the PxM bits of the CCPxCON register must be set appropriately.

The PWM outputs are multiplexed with I/O pins and are designated: PxA, PxB, PxC and PxD. The polarity of the PWM pins is configurable and is selected by setting the CCPxM bits in the CCPxCON register appropriately.

Table 18-1 provides the pin assignments for each Enhanced PWM mode.

Figure 18-5 provides an example of a simplified block diagram of the Enhanced PWM module.

**Note:** To prevent the generation of an incomplete waveform when the PWM is first enabled, the ECCP module waits until the start of a new PWM period before generating a PWM signal.

**FIGURE 18-5: EXAMPLE SIMPLIFIED BLOCK DIAGRAM OF THE ENHANCED PWM MODE**



**Note 1:** The TRIS register value for each PWM output must be configured appropriately.

**2:** Any pin not used by an Enhanced PWM mode is available for alternate pin functions.

# PIC18F46J50 FAMILY

**TABLE 18-4: EXAMPLE PIN ASSIGNMENTS FOR VARIOUS PWM ENHANCED MODES**

| ECCP Mode            | PxM<1:0> | PxA                | PxB                | PxC                | PxD                |
|----------------------|----------|--------------------|--------------------|--------------------|--------------------|
| Single               | 00       | Yes <sup>(1)</sup> | Yes <sup>(1)</sup> | Yes <sup>(1)</sup> | Yes <sup>(1)</sup> |
| Half-Bridge          | 10       | Yes                | Yes                | No                 | No                 |
| Full-Bridge, Forward | 01       | Yes                | Yes                | Yes                | Yes                |
| Full-Bridge, Reverse | 11       | Yes                | Yes                | Yes                | Yes                |

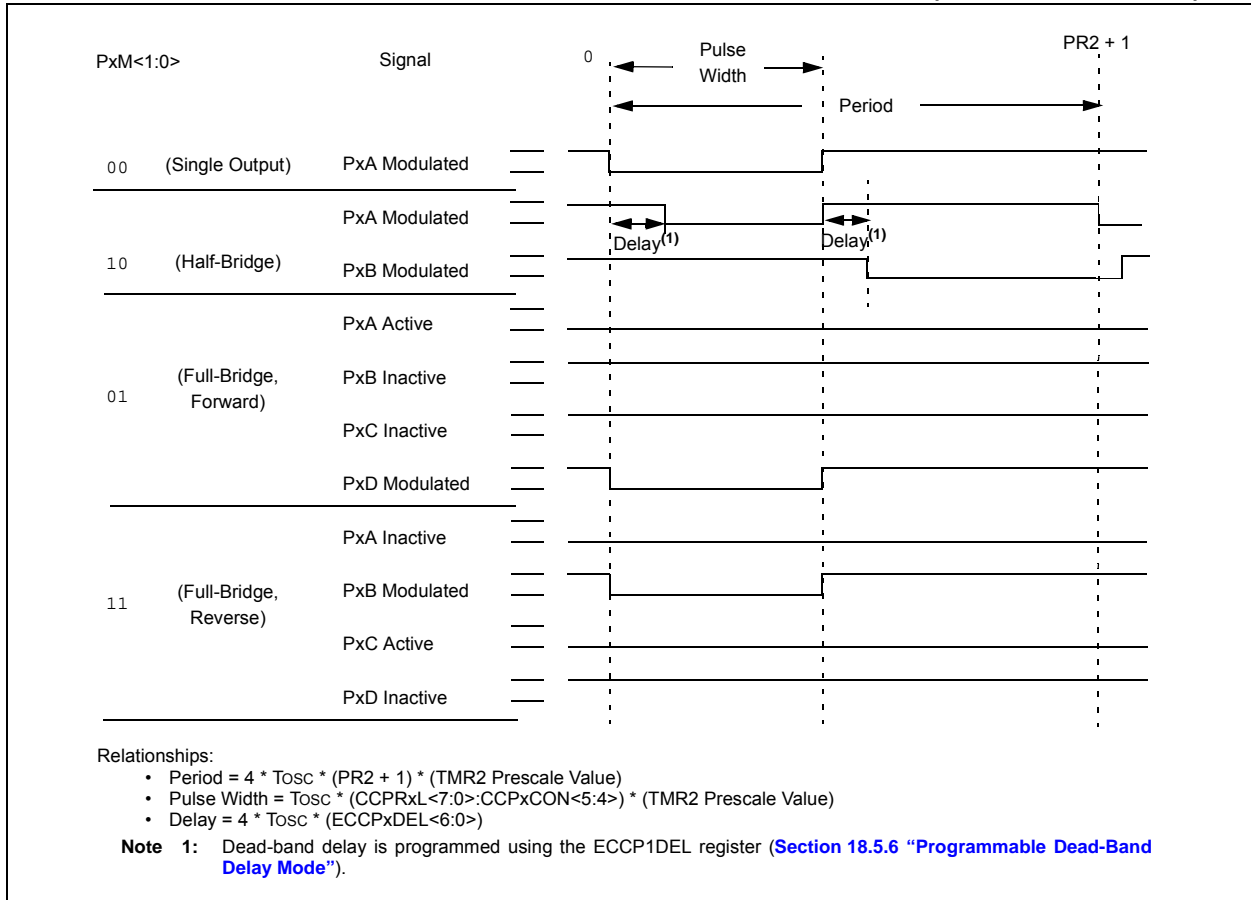
**Note 1:** Outputs are enabled by pulse steering in Single mode (see [Register 18-4](#)).

**FIGURE 18-6: EXAMPLE PWM (ENHANCED MODE) OUTPUT RELATIONSHIPS (ACTIVE-HIGH STATE)**



# PIC18F46J50 FAMILY

**FIGURE 18-7: EXAMPLE ENHANCED PWM OUTPUT RELATIONSHIPS (ACTIVE-LOW STATE)**



# PIC18F46J50 FAMILY

## 18.5.1 HALF-BRIDGE MODE

In Half-Bridge mode, two pins are used as outputs to drive push-pull loads. The PWM output signal is output on the PxA pin, while the complementary PWM output signal is output on the PxB pin (see Figure 18-8). This mode can be used for half-bridge applications, as shown in Figure 18-9, or for full-bridge applications, where four power switches are being modulated with two PWM signals.

In Half-Bridge mode, the programmable dead-band delay can be used to prevent shoot-through current in half-bridge power devices. The value of the PxDC<6:0> bits of the ECCPxDEL register sets the number of instruction cycles before the output is driven active. If the value is greater than the duty cycle, the corresponding output remains inactive during the entire cycle. See Section 18.5.6 “Programmable Dead-Band Delay Mode” for more details of the dead-band delay operations.

Since the PxA and PxB outputs are multiplexed with the port data latches, the associated TRIS bits must be cleared to configure PxA and PxB as outputs.

**FIGURE 18-8: EXAMPLE OF HALF-BRIDGE PWM OUTPUT**



**FIGURE 18-9: EXAMPLE OF HALF-BRIDGE APPLICATIONS**





## 18.5.2 FULL-BRIDGE MODE

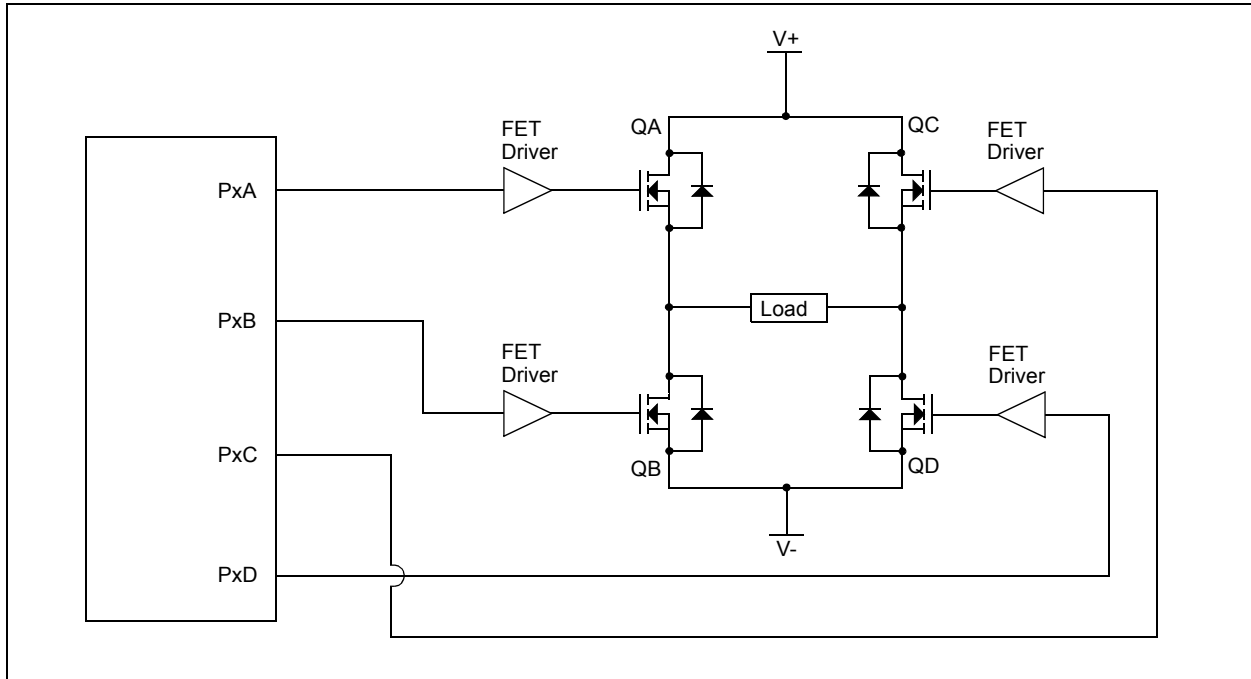
In Full-Bridge mode, all four pins are used as outputs. An example of a full-bridge application is provided in [Figure 18-10](#).

In the Forward mode, the PxA pin is driven to its active state, the PxD pin is modulated, while the PxB and PxC pins will be driven to their inactive state as provided in [Figure 18-11](#).

In the Reverse mode, the PxC pin is driven to its active state, the PxB pin is modulated, while the PxA and PxD pins will be driven to their inactive state as provided in [Figure 18-11](#).

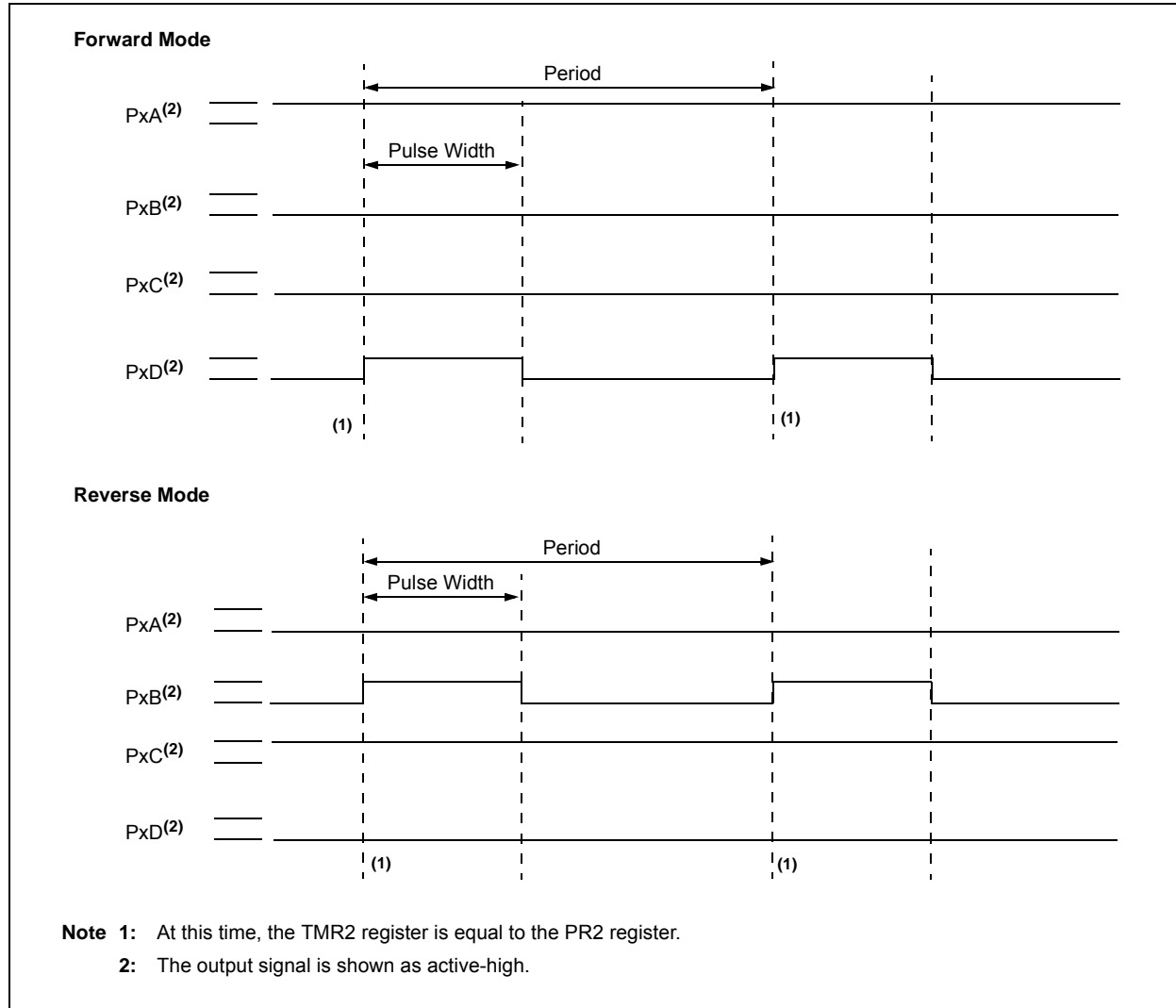
The PxA, PxB, PxC and PxD outputs are multiplexed with the port data latches. The associated TRIS bits must be cleared to configure the PxA, PxB, PxC and PxD pins as outputs.

**FIGURE 18-10: EXAMPLE OF FULL-BRIDGE APPLICATION**



# PIC18F46J50 FAMILY

FIGURE 18-11: EXAMPLE OF FULL-BRIDGE PWM OUTPUT



## 18.5.2.1 Direction Change in Full-Bridge Mode

In the Full-Bridge mode, the Pxm1 bit in the CCPxCON register allows users to control the forward/reverse direction. When the application firmware changes this direction control bit, the module will change to the new direction on the next PWM cycle.

A direction change is initiated in software by changing the Pxm1 bit of the CCPxCON register. The following sequence occurs prior to the end of the current PWM period:

- The modulated outputs (PxB and PxD) are placed in their inactive state.
- The associated unmodulated outputs (PxA and PxC) are switched to drive in the opposite direction.
- PWM modulation resumes at the beginning of the next period.

See [Figure 18-12](#) for an illustration of this sequence.

The Full-Bridge mode does not provide a dead-band delay. As one output is modulated at a time, a dead-band delay is generally not required. There is a situation where a dead-band delay is required. This situation occurs when both of the following conditions are true:

1. The direction of the PWM output changes when the duty cycle of the output is at or near 100%.
2. The turn-off time of the power switch, including the power device and driver circuit, is greater than the turn-on time.

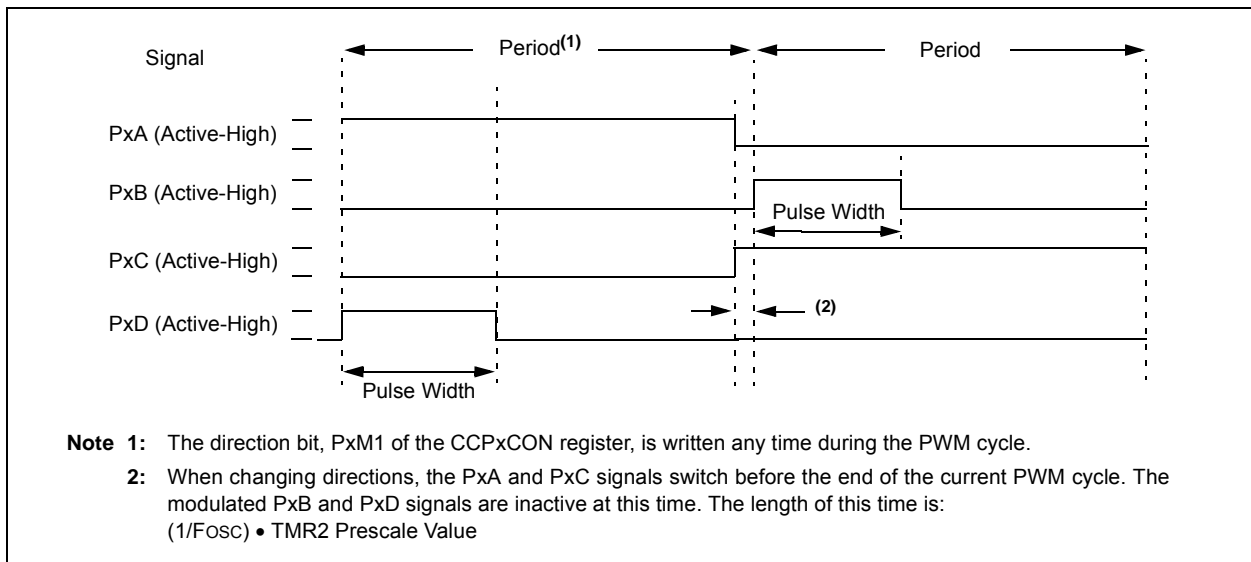
[Figure 18-13](#) shows an example of the PWM direction changing from forward to reverse, at a near 100% duty cycle. In this example, at time, t1, the PxA and PxD outputs become inactive, while the PxC output becomes active. Since the turn-off time of the power devices is longer than the turn-on time, a shoot-through current will flow through power devices, QC and QD (see [Figure 18-10](#)), for the duration of 't'. The same phenomenon will occur to power devices, QA and QB, for PWM direction change from reverse to forward.

If changing PWM direction at high duty cycle is required for an application, two possible solutions for eliminating the shoot-through current are:

1. Reduce PWM duty cycle for one PWM period before changing directions.
2. Use switch drivers that can drive the switches off faster than they can drive them on.

Other options to prevent shoot-through current may exist.

**FIGURE 18-12: EXAMPLE OF PWM DIRECTION CHANGE**



# PIC18F46J50 FAMILY

**FIGURE 18-13: EXAMPLE OF PWM DIRECTION CHANGE AT NEAR 100% DUTY CYCLE**



## 18.5.3 START-UP CONSIDERATIONS

When any PWM mode is used, the application hardware must use the proper external pull-up and/or pull-down resistors on the PWM output pins.

**Note:** When the microcontroller is released from Reset, all of the I/O pins are in the high-impedance state. The external circuits must keep the power switch devices in the OFF state until the microcontroller drives the I/O pins with the proper signal levels or activates the PWM output(s).

The CCPxM<1:0> bits of the CCPxCON register allow the user to choose whether the PWM output signals are active-high or active-low for each pair of PWM output pins (PxA/PxC and PxB/PxD). The PWM output

polarities must be selected before the PWM pin output drivers are enabled. Changing the polarity configuration while the PWM pin output drivers are enable is not recommended since it may result in damage to the application circuits.

The PxA, PxB, PxC and PxD output latches may not be in the proper states when the PWM module is initialized. Enabling the PWM pin output drivers at the same time as the Enhanced PWM modes may cause damage to the application circuit. The Enhanced PWM modes must be enabled in the proper Output mode and complete a full PWM cycle before enabling the PWM pin output drivers. The completion of a full PWM cycle is indicated by the TMR2IF or TMR4IF bit of the PIR1 or PIR3 register being set as the second PWM period begins.

# PIC18F46J50 FAMILY

## 18.5.4 ENHANCED PWM AUTO-SHUTDOWN MODE

The PWM mode supports an Auto-Shutdown mode that will disable the PWM outputs when an external shutdown event occurs. Auto-Shutdown mode places the PWM output pins into a predetermined state. This mode is used to help prevent the PWM from damaging the application.

The auto-shutdown sources are selected using the ECCPxAS<2:0> bits of the ECCPxAS register. A shutdown event may be generated by:

- A logic '0' on the pin that is assigned the FLT0 input function
- Comparator C1
- Comparator C2
- Setting the ECCPxASE bit in firmware

A shutdown condition is indicated by the ECCPxASE (Auto-Shutdown Event Status) bit of the ECCPxAS register. If the bit is a '0', the PWM pins are operating normally. If the bit is a '1', the PWM outputs are in the shutdown state.

When a shutdown event occurs, two things happen:

The ECCPxASE bit is set to '1'. The ECCPxASE will remain set until cleared in firmware or an auto-restart occurs (see [Section 18.5.5 "Auto-Restart Mode"](#)).

The enabled PWM pins are asynchronously placed in their shutdown states. The PWM output pins are grouped into pairs, [PxA/PxC] and [PxB/PxD]. The state of each pin pair is determined by the PSSxAC and PSSxBD bits of the ECCPxAS register. Each pin pair may be placed into one of three states:

- Drive logic '1'
- Drive logic '0'
- Tri-state (high-impedance)

### REGISTER 18-2: ECCPxAS: ECCPx AUTO-SHUTDOWN CONTROL REGISTER (ACCESS FBEh, FB8h)

|          |          |          |          |         |         |         |         |
|----------|----------|----------|----------|---------|---------|---------|---------|
| R/W-0    | R/W-0    | R/W-0    | R/W-0    | R/W-0   | R/W-0   | R/W-0   | R/W-0   |
| ECCPxASE | ECCPxAS2 | ECCPxAS1 | ECCPxAS0 | PSSxAC1 | PSSxAC0 | PSSxBD1 | PSSxBD0 |
| bit 7    |          |          |          |         |         |         | bit 0   |

#### Legend:

|                   |                  |                                    |
|-------------------|------------------|------------------------------------|
| R = Readable bit  | W = Writable bit | U = Unimplemented bit, read as '0' |
| -n = Value at POR | '1' = Bit is set | '0' = Bit is cleared               |
|                   |                  | x = Bit is unknown                 |

|         |   |
|---------|---|
| bit 7   | <b>ECCPxASE:</b> ECCP Auto-Shutdown Event Status bit<br>1 = A shutdown event has occurred; ECCP outputs are in a shutdown state<br>0 = ECCP outputs are operating   |
| bit 6-4 | <b>ECCPxAS&lt;2:0&gt;:</b> ECCP Auto-Shutdown Source Select bits<br>000 = Auto-shutdown is disabled<br>001 = Comparator C1OUT output is high<br>010 = Comparator C2OUT output is high<br>011 = Either Comparator C1OUT or C2OUT is high<br>100 = VIL on FLT0 pin<br>101 = VIL on FLT0 pin or Comparator C1OUT output is high<br>110 = VIL on FLT0 pin or Comparator C2OUT output is high<br>111 = VIL on FLT0 pin or Comparator C1OUT or Comparator C2OUT is high |
| bit 3-2 | <b>PSSxAC&lt;1:0&gt;:</b> Pins PxA and PxC Shutdown State Control bits<br>00 = Drive PxA and PxC pins to '0'<br>01 = Drive PxA and PxC pins to '1'<br>1x = PxA and PxC pins tri-state   |
| bit 1-0 | <b>PSSxBD&lt;1:0&gt;:</b> Pins PxB and PxD Shutdown State Control bits<br>00 = Drive PxB and PxD pins to '0'<br>01 = Drive PxB and PxD pins to '1'<br>1x = PxB and PxD pins tri-state   |

**Note 1:** The auto-shutdown condition is a level-based signal, not an edge-based signal. As long as the level is present, the auto-shutdown will persist.

**2:** Writing to the ECCPxASE bit is disabled while an auto-shutdown condition persists.

**3:** Once the auto-shutdown condition has been removed and the PWM restarted (either through firmware or auto-restart), the PWM signal will always restart at the beginning of the next PWM period.

# PIC18F46J50 FAMILY

**FIGURE 18-14: PWM AUTO-SHUTDOWN WITH FIRMWARE RESTART (PxRSEN = 0)**



## 18.5.5 AUTO-RESTART MODE

The Enhanced PWM can be configured to automatically restart the PWM signal once the auto-shutdown condition has been removed. Auto-restart is enabled by setting the PxRSEN bit in the ECCPxDEL register.

If auto-restart is enabled, the ECCPxASE bit will remain set as long as the auto-shutdown condition is active. When the auto-shutdown condition is removed, the ECCPxASE bit will be cleared via hardware and normal operation will resume.

The module will wait until the next PWM period begins, however, before re-enabling the output pin. This behavior allows the auto-shutdown with auto-restart features to be used in applications based on current mode PWM control.

**FIGURE 18-15: PWM AUTO-SHUTDOWN WITH AUTO-RESTART ENABLED (PxRSEN = 1)**



# PIC18F46J50 FAMILY

## 18.5.6 PROGRAMMABLE DEAD-BAND DELAY MODE

In half-bridge applications, where all power switches are modulated at the PWM frequency, the power switches normally require more time to turn off than to turn on. If both the upper and lower power switches are switched at the same time (one turned on and the other turned off), both switches may be on for a short period until one switch completely turns off. During this brief interval, a very high current (shoot-through current) will flow through both power switches, shorting the bridge supply. To avoid this potentially destructive shoot-through current from flowing during switching, turning on either of the power switches is normally delayed to allow the other switch to completely turn off.

In Half-Bridge mode, a digitally, programmable dead-band delay is available to avoid shoot-through current from destroying the bridge power switches. The delay occurs at the signal transition from the non-active state to the active state. See [Figure 18-16](#) for illustration. The lower seven bits of the associated ECCPxDEL register ([Register 18-3](#)) set the delay period in terms of microcontroller instruction cycles ( $T_{cy}$  or  $4 T_{osc}$ ).

**FIGURE 18-16: EXAMPLE OF HALF-BRIDGE PWM OUTPUT**



**FIGURE 18-17: EXAMPLE OF HALF-BRIDGE APPLICATIONS**



# PIC18F46J50 FAMILY

## REGISTER 18-3: ECCPxDEL: ENHANCED PWM CONTROL REGISTER (ACCESS FBDh, FB7h)

|        |       |       |       |       |       |       |       |
|--------|-------|-------|-------|-------|-------|-------|-------|
| R/W-0  | R/W-0 | R/W-0 | R/W-0 | R/W-0 | R/W-0 | R/W-0 | R/W-0 |
| PxRSEN | PxDC6 | PxDC5 | PxDC4 | PxDC3 | PxDC2 | PxDC1 | PxDC0 |
| bit 7  |       |       |       |       |       |       | bit 0 |

### Legend:

|                   |                  |                                    |
|-------------------|------------------|------------------------------------|
| R = Readable bit  | W = Writable bit | U = Unimplemented bit, read as '0' |
| -n = Value at POR | '1' = Bit is set | '0' = Bit is cleared               |
|                   |                  | x = Bit is unknown                 |

- bit 7      **PxRSEN:** PWM Restart Enable bit  
 1 = Upon auto-shutdown, the ECCPxASE bit clears automatically once the shutdown event goes away; the PWM restarts automatically  
 0 = Upon auto-shutdown, ECCPxASE must be cleared by software to restart the PWM
- bit 6-0      **PxDC<6:0>:** PWM Delay Count bits  
 PxDCn = Number of Fosc/4 (4 \* Tosc) cycles between the scheduled time when a PWM signal **should** transition active and the **actual** time it transitions active.

### 18.5.7 PULSE STEERING MODE

In Single Output mode, pulse steering allows any of the PWM pins to be the modulated signal. Additionally, the same PWM signal can simultaneously be available on multiple pins.

Once the Single Output mode is selected (CCPxM<3:2> = 11 and PxM<1:0> = 00 of the CCPxCON register), the user firmware can bring out the same PWM signal to one, two, three or four output pins by setting the appropriate STR<D:A> bits of the PSTRxCON register, as provided in [Table 18-4](#).

While the PWM Steering mode is active, the CCPxM<1:0> bits of the CCPxCON register select the PWM output polarity for the Px<D:A> pins.

The PWM auto-shutdown operation also applies to PWM Steering mode, as described in [Section 18.5.4 "Enhanced PWM Auto-Shutdown Mode"](#). An auto-shutdown event will only affect pins that have PWM outputs enabled.

**Note:** The associated TRIS bits must be set to output ('0') to enable the pin output driver in order to see the PWM signal on the pin.



# PIC18F46J50 FAMILY

**REGISTER 18-4: PSTRxCON: PULSE STEERING CONTROL REGISTER (ACCESS FBFh, FB9h)<sup>(1)</sup>**

|       |       |     |         |       |       |       |       |
|-------|-------|-----|---------|-------|-------|-------|-------|
| R/W-0 | R/W-0 | U-0 | R/W-0   | R/W-0 | R/W-0 | R/W-0 | R/W-1 |
| CMPL1 | CMPL0 | —   | STRSYNC | STRD  | STRC  | STRB  | STRA  |
| bit 7 |       |     |         |       |       |       | bit 0 |

**Legend:**

|                   |                  |  |
|-------------------|------------------|--|
| R = Readable bit  | W = Writable bit | U = Unimplemented bit, read as '0'           |
| -n = Value at POR | '1' = Bit is set | '0' = Bit is cleared      x = Bit is unknown |

- bit 7-6      **CMPL<1:0>**: Complementary Mode Output Assignment Steering Sync bits
  - 1 = Modulated output pin toggles between PxA and PxB for each period
  - 0 = Complementary output assignment disabled; STR<D:A> bits are used to determine Steering mode
- bit 5      **Unimplemented**: Read as '0'
- bit 4      **STRSYNC**: Steering Sync bit
  - 1 = Output steering update occurs on next PWM period
  - 0 = Output steering update occurs at the beginning of the instruction cycle boundary
- bit 3      **STRD**: Steering Enable bit D
  - 1 = PxD pin has the PWM waveform with polarity control from CCPxM<1:0>
  - 0 = PxD pin is assigned to port pin
- bit 2      **STRC**: Steering Enable bit C
  - 1 = PxC pin has the PWM waveform with polarity control from CCPxM<1:0>
  - 0 = PxC pin is assigned to port pin
- bit 1      **STRB**: Steering Enable bit B
  - 1 = PxB pin has the PWM waveform with polarity control from CCPxM<1:0>
  - 0 = PxB pin is assigned to port pin
- bit 0      **STRA**: Steering Enable bit A
  - 1 = PxA pin has the PWM waveform with polarity control from CCPxM<1:0>
  - 0 = PxA pin is assigned to port pin

**Note 1:** The PWM Steering mode is available only when the CCPxCON register bits, CCPxM<3:2> = 11, and Pxm<1:0> = 00.

# PIC18F46J50 FAMILY

**FIGURE 18-18: SIMPLIFIED STEERING BLOCK DIAGRAM**



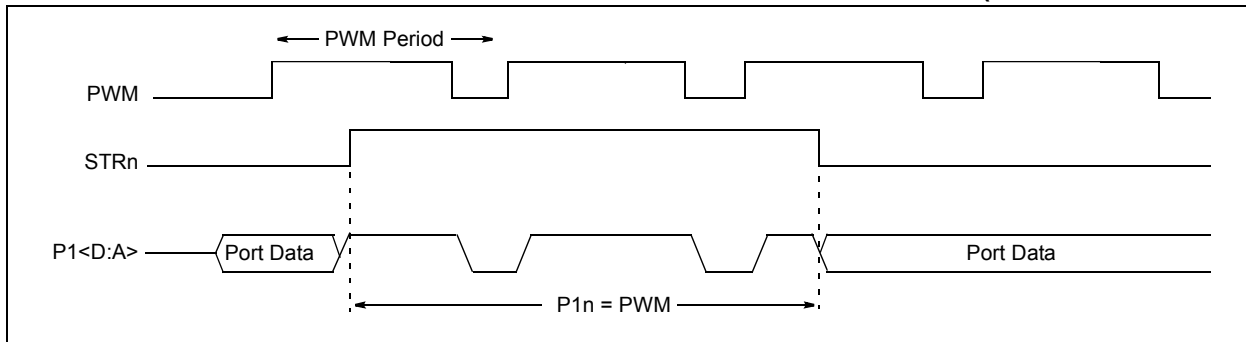
## 18.5.7.1 Steering Synchronization

The STRSYNC bit of the PSTRxCON register gives the user two selections of when the steering event will happen. When the STRSYNC bit is '0', the steering event will happen at the end of the instruction that writes to the PSTRxCON register. In this case, the output signal at the PxD:A pins may be an incomplete PWM waveform. This operation is useful when the user firmware needs to immediately remove a PWM signal from the pin.

When the STRSYNC bit is '1', the effective steering update will happen at the beginning of the next PWM period. In this case, steering on/off the PWM output will always produce a complete PWM waveform.

Figures 18-19 and 18-20 illustrate the timing diagrams of the PWM steering depending on the STRSYNC setting.

**FIGURE 18-19: EXAMPLE OF STEERING EVENT AT END OF INSTRUCTION (STRSYNC = 0)**



**FIGURE 18-20: EXAMPLE OF STEERING EVENT AT BEGINNING OF INSTRUCTION (STRSYNC = 1)**



# PIC18F46J50 FAMILY

## 18.5.8 OPERATION IN POWER-MANAGED MODES

In Sleep mode, all clock sources are disabled. Timer2 will not increment and the state of the module will not change. If the ECCPx pin is driving a value, it will continue to drive that value. When the device wakes up, it will continue from this state. If Two-Speed Start-ups are enabled, the initial start-up frequency from HFINTOSC and the postscaler may not be stable immediately.

In PRI\_IDLE mode, the primary clock will continue to clock the ECCPx module without change.

### 18.5.8.1 Operation with Fail-Safe Clock Monitor (FSCM)

If the Fail-Safe Clock Monitor (FSCM) is enabled, a clock failure will force the device into the power-managed RC\_RUN mode and the OSCFIF bit of

the PIR2 register will be set. The ECCPx will then be clocked from the internal oscillator clock source, which may have a different clock frequency than the primary clock.

## 18.5.9 EFFECTS OF A RESET

Both Power-on Reset and subsequent Resets will force all PORTS to Input mode and the ECCP registers to their Reset states.

This forces the ECCP module to reset to a state compatible with previous, non-enhanced ECCP modules used on other PIC18 and PIC16 devices.

**TABLE 18-5: REGISTERS ASSOCIATED WITH ECCP1 MODULE AND TIMER1 TO TIMER3**

| Name     | Bit 7                                    | Bit 6     | Bit 5    | Bit 4           | Bit 3           | Bit 2               | Bit 1            | Bit 0            | Reset Values on Page: |
|----------|--|-----------|----------|-----------------|-----------------|---------------------|------------------|------------------|-----------------------|
| INTCON   | GIE/GIEH                                 | PEIE/GIEL | TMR0IE   | INT0IE          | RABIE           | TMR0IF              | INT0IF           | RABIF            | 87                    |
| RCON     | IPEN                                     | —         | —        | $\overline{RI}$ | $\overline{TO}$ | $\overline{PD}$     | $\overline{POR}$ | $\overline{BOR}$ | 90                    |
| PIR1     | PMPIF <sup>(1)</sup>                     | ADIF      | RCIF     | TXIF            | SSPIF           | CCP1IF              | TMR2IF           | TMR1IF           | 87                    |
| PIE1     | PMPIE <sup>(1)</sup>                     | ADIE      | RCIE     | TXIE            | SSPIE           | CCP1IE              | TMR2IE           | TMR1IE           | 91                    |
| IPR1     | PMPPIF <sup>(1)</sup>                    | ADIP      | RCIP     | TXIP            | SSPIP           | CCP1IP              | TMR2IP           | TMR1IP           | 91                    |
| PIR2     | OSCFIF                                   | CM2IF     | CM1IF    | USBIF           | BCL1IF          | HLVDIF              | TMR3IF           | CCP2IF           | 91                    |
| PIE2     | OSCFIE                                   | CM2IE     | CM1IE    | USBIE           | BCL1IE          | HLVDIE              | TMR3IE           | CCP2IE           | 91                    |
| IPR2     | OSCFIP                                   | CM2IP     | CM1IP    | USBIP           | BCL1IP          | HLVDIP              | TMR3IP           | CCP2IP           | 91                    |
| TCLKCON  | —  | —         | —        | T1RUN           | —               | —                   | T3CCP2           | T3CCP1           | 93                    |
| TMR4     | Timer4 Register                          |           |          |                 |                 |                     |                  |                  | 93                    |
| T4CON    | —  | T4OUTPS3  | T4OUTPS2 | T4OUTPS1        | T4OUTPS0        | TMR4ON              | T4CKPS1          | T4CKPS0          | 93                    |
| PR4      | Timer4 Period Register                   |           |          |                 |                 |                     |                  |                  | 93                    |
| TMR1L    | Timer1 Register Low Byte                 |           |          |                 |                 |                     |                  |                  | 87                    |
| TMR1H    | Timer1 Register High Byte                |           |          |                 |                 |                     |                  |                  | 87                    |
| T1CON    | TMR1CS1                                  | TMR1CS0   | T1CKPS1  | T1CKPS0         | T1OSCEN         | $\overline{T1SYNC}$ | RD16             | TMR1ON           | 87                    |
| TMR2     | Timer2 Register                          |           |          |                 |                 |                     |                  |                  | 87                    |
| T2CON    | —  | T2OUTPS3  | T2OUTPS2 | T2OUTPS1        | T2OUTPS0        | TMR2ON              | T2CKPS1          | T2CKPS0          | 87                    |
| PR2      | Timer2 Period Register                   |           |          |                 |                 |                     |                  |                  | 87                    |
| TMR3L    | Timer3 Register Low Byte                 |           |          |                 |                 |                     |                  |                  | 87                    |
| TMR3H    | Timer3 Register High Byte                |           |          |                 |                 |                     |                  |                  | 87                    |
| T3CON    | TMR3CS1                                  | TMR3CS0   | T3CKPS1  | T3CKPS0         | T3OSCEN         | $\overline{T3SYNC}$ | RD16             | TMR3ON           | 87                    |
| CCPR1L   | Capture/Compare/PWM Register 1 Low Byte  |           |          |                 |                 |                     |                  |                  | 87                    |
| CCPR1H   | Capture/Compare/PWM Register 1 High Byte |           |          |                 |                 |                     |                  |                  | 87                    |
| CCP1CON  | P1M1                                     | P1M0      | DC1B1    | DC1B0           | CCP1M3          | CCP1M2              | CCP1M1           | CCP1M0           | 87                    |
| ECCP1AS  | ECCP1ASE                                 | ECCP1AS2  | ECCP1AS1 | ECCP1AS0        | PSS1AC1         | PSS1AC0             | PSS1BD1          | PSS1BD0          | 87                    |
| ECCP1DEL | P1RSEN                                   | P1DC6     | P1DC5    | P1DC4           | P1DC3           | P1DC2               | P1DC1            | P1DC0            | 264                   |

**Legend:** — = unimplemented, read as '0'. Shaded cells are not used during ECCP operation.

**Note 1:** These bits are only available on 44-pin devices.

# PIC18F46J50 FAMILY

---

NOTES:

## 19.0 MASTER SYNCHRONOUS SERIAL PORT (MSSP) MODULE

The Master Synchronous Serial Port (MSSP) module is a serial interface, useful for communicating with other peripheral or microcontroller devices. These peripheral devices include serial EEPROMs, shift registers, display drivers, ADCs, DACs and many other types of integrated circuits.

### 19.1 Master SSP (MSSP) Module Overview

The MSSP module can operate in one of two modes:

- Serial Peripheral Interface (SPI)
- Inter-Integrated Circuit (I<sup>2</sup>C™)
  - Full Master mode
  - Slave mode (with general address call)

The I<sup>2</sup>C interface supports the following modes in hardware:

- Master mode
- Multi-Master mode
- Slave mode with 5-bit and 7-bit address masking (with address masking for both 10-bit and 7-bit addressing)

All members of the PIC18F46J50 family have two MSSP modules, designated as MSSP1 and MSSP2. The modules operate independently:

- PIC18F4XJ50 devices – Both modules can be configured for either I<sup>2</sup>C or SPI communication
- PIC18F2XJ50 devices:
  - MSSP1 can be used for either I<sup>2</sup>C or SPI communication
  - MSSP2 can be used only for SPI communication

All of the MSSP1 module-related SPI and I<sup>2</sup>C I/O functions are hard-mapped to specific I/O pins.

For MSSP2 functions:

- SPI I/O functions (SDO2, SDI2, SCK2 and  $\overline{SS2}$ ) are all routed through the Peripheral Pin Select (PPS) module.

These functions may be configured to use any of the RPN remappable pins, as described in [Section 10.7 “Peripheral Pin Select \(PPS\)”](#).

- I<sup>2</sup>C functions (SCL2 and SDA2) have fixed pin locations.

On all PIC18F46J50 family devices, the SPI DMA capability can only be used in conjunction with MSSP2. The SPI DMA feature is described in [Section 19.4 “SPI DMA Module”](#).

**Note:** Throughout this section, generic references to an MSSP module in any of its operating modes may be interpreted as being equally applicable to MSSP1 or MSSP2. Register names and module I/O signals use the generic designator ‘x’ to indicate the use of a numeral to distinguish a particular module when required. Control bit names are not individuated.

# PIC18F46J50 FAMILY

## 19.2 Control Registers

Each MSSP module has three associated control registers. These include a status register (SSPxSTAT) and two control registers (SSPxCON1 and SSPxCON2). The use of these registers and their individual Configuration bits differ significantly depending on whether the MSSP module is operated in SPI or I<sup>2</sup>C mode.

Additional details are provided under the individual sections.

**Note:** In devices with more than one MSSP module, it is very important to pay close attention to the SSPxCON register names. SSP1CON1 and SSP1CON2 control different operational aspects of the same module, while SSP1CON1 and SSP2CON1 control the same features for two different modules.

## 19.3 SPI Mode

The SPI mode allows 8 bits of data to be synchronously transmitted and received simultaneously. All four modes of SPI are supported.

When MSSP2 is used in SPI mode, it can optionally be configured to work with the SPI DMA submodule described in [Section 19.4 “SPI DMA Module”](#).

To accomplish communication, typically three pins are used:

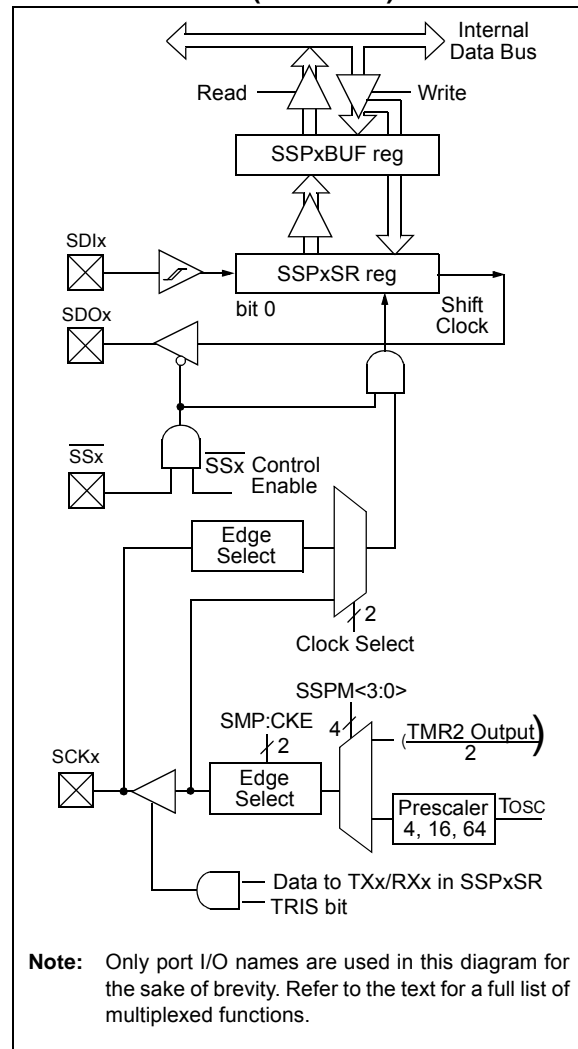
- Serial Data Out (SDOx) – RC7/RX1/DT1/SDO1/RP18 or SDO2/Remappable
- Serial Data In (SDIx) – RB5/PMA0/KBI1/SDI1/SDA1/RP8 or SDI2/Remappable
- Serial Clock (SCKx) – RB4/PMA1/KBI0/SCK1/SCL1/RP7 or SCK2/Remappable

Additionally, a fourth pin may be used when in a Slave mode of operation:

- Slave Select ( $\overline{SSx}$ ) – RA5/AN4/ $\overline{SS1}$ /HLVDIN/RCV/RP2 or  $\overline{SS2}$ /Remappable

Figure 19-1 depicts the block diagram of the MSSP module when operating in SPI mode.

**FIGURE 19-1: MSSPx BLOCK DIAGRAM (SPI MODE)**



# PIC18F46J50 FAMILY

## 19.3.1 REGISTERS

Each MSSP module has four registers for SPI mode operation. These are:

- MSSPx Control Register 1 (SSPxCON1)
- MSSPx Status Register (SSPxSTAT)
- Serial Receive/Transmit Buffer Register (SSPxBUF)
- MSSPx Shift Register (SSPxSR) – Not directly accessible

SSPxCON1 and SSPxSTAT are the control and status registers in SPI mode operation. The SSPxCON1 register is readable and writable. The lower six bits of the SSPxSTAT are read-only. The upper two bits of the SSPxSTAT are read/write.

SSPxSR is the shift register used for shifting data in or out. SSPxBUF is the buffer register to which data bytes are written to or read from.

In receive operations, SSPxSR and SSPxBUF together create a double-buffered receiver. When SSPxSR receives a complete byte, it is transferred to SSPxBUF and the SSPxIF interrupt is set.

During transmission, the SSPxBUF is not double-buffered. A write to SSPxBUF will write to both SSPxBUF and SSPxSR.

Since the SSPxBUF register is double-buffered for receive operations, using read-modify-write instructions that target SSPxBUF, twice per instruction, such as BCF, COMF, etc., will not work. SSPxBUF may be read or written using standard instructions that target the register, once per instruction, such as MOVWF, MOVF (dest = WREG) and MOVFF.

Similarly, when debugging under an In-Circuit Debugger, performing actions that cause reads of SSPxBUF (ex: debug watch) can consume data that the application code was expecting to receive.

### REGISTER 19-1: SSPxSTAT: MSSPx STATUS REGISTER (SPI MODE) (ACCESS FC7h, F73h)

|       |                    |              |     |     |              |     |       |
|-------|--------------------|--------------|-----|-----|--------------|-----|-------|
| R/W-0 | R/W-0              | R-0          | R-0 | R-0 | R-0          | R-0 | R-0   |
| SMP   | CKE <sup>(1)</sup> | D/ $\bar{A}$ | P   | S   | R/ $\bar{W}$ | UA  | BF    |
| bit 7 |                    |              |     |     |              |     | bit 0 |

#### Legend:

|                   |                  |                                    |
|-------------------|------------------|------------------------------------|
| R = Readable bit  | W = Writable bit | U = Unimplemented bit, read as '0' |
| -n = Value at POR | '1' = Bit is set | '0' = Bit is cleared               |
|                   |                  | x = Bit is unknown                 |

- bit 7     **SMP:** Sample bit  
SPI Master mode:  
 1 = Input data is sampled at the end of data output time  
 0 = Input data is sampled at the middle of data output time  
SPI Slave mode:  
 SMP must be cleared when SPI is used in Slave mode.
- bit 6     **CKE:** SPI Clock Select bit<sup>(1)</sup>  
 1 = Transmit occurs on transition from active to Idle clock state  
 0 = Transmit occurs on transition from Idle to active clock state
- bit 5     **D/ $\bar{A}$ :** Data/Address bit  
 Used in I<sup>2</sup>C™ mode only.
- bit 4     **P:** Stop bit  
 Used in I<sup>2</sup>C mode only; this bit is cleared when the MSSP module is disabled, SSPEN is cleared.
- bit 3     **S:** Start bit  
 Used in I<sup>2</sup>C mode only.
- bit 2     **R/ $\bar{W}$ :** Read/Write Information bit  
 Used in I<sup>2</sup>C mode only.
- bit 1     **UA:** Update Address bit  
 Used in I<sup>2</sup>C mode only.
- bit 0     **BF:** Buffer Full Status bit  
 1 = Receive is complete, SSPxBUF is full  
 0 = Receive is not complete, SSPxBUF is empty

**Note 1:** Polarity of clock state is set by the CKP bit (SSPxCON1<4>).

# PIC18F46J50 FAMILY

## REGISTER 19-2: SSPxCON1: MSSPx CONTROL REGISTER 1 (SPI MODE) (ACCESS FC6h, F72h)

| R/W-0 | R/C-0                | R/W-0                | R/W-0 | R/W-0                | R/W-0                | R/W-0                | R/W-0                |
|-------|----------------------|----------------------|-------|----------------------|----------------------|----------------------|----------------------|
| WCOL  | SSPOV <sup>(1)</sup> | SSPEN <sup>(2)</sup> | CKP   | SSPM3 <sup>(3)</sup> | SSPM2 <sup>(3)</sup> | SSPM1 <sup>(3)</sup> | SSPM0 <sup>(3)</sup> |
| bit 7 |                      |                      |       |                      |                      |                      | bit 0                |

| Legend:           |                  |                      |                                    |
|-------------------|------------------|----------------------|------------------------------------|
| R = Readable bit  | W = Writable bit | C = Clearable bit    | U = Unimplemented bit, read as '0' |
| -n = Value at POR | '1' = Bit is set | '0' = Bit is cleared | x = Bit is unknown                 |

- bit 7      **WCOL:** Write Collision Detect bit  
 1 = The SSPxBUF register is written while it is still transmitting the previous word (must be cleared in software)  
 0 = No collision
- bit 6      **SSPOV:** Receive Overflow Indicator bit<sup>(1)</sup>  
SPI Slave mode:  
 1 = A new byte is received while the SSPxBUF register is still holding the previous data. In case of overflow, the data in SSPxSR is lost. Overflow can only occur in Slave mode. The user must read the SSPxBUF, even if only transmitting data, to avoid setting overflow (must be cleared in software).  
 0 = No overflow
- bit 5      **SSPEN:** Master Synchronous Serial Port Enable bit<sup>(2)</sup>  
 1 = Enables serial port and configures SCKx, SDOx, SDIx and  $\overline{SSx}$  as serial port pins  
 0 = Disables serial port and configures these pins as I/O port pins
- bit 4      **CKP:** Clock Polarity Select bit  
 1 = Idle state for clock is a high level  
 0 = Idle state for clock is a low level
- bit 3-0    **SSPM<3:0>:** Master Synchronous Serial Port Mode Select bits<sup>(3)</sup>  
 0101 = SPI Slave mode, Clock = SCKx pin,  $\overline{SSx}$  pin control is disabled,  $\overline{SSx}$  can be used as I/O pin  
 0100 = SPI Slave mode, Clock = SCKx pin,  $\overline{SSx}$  pin control is enabled  
 0011 = SPI Master mode, Clock = TMR2 output/2  
 0010 = SPI Master mode, Clock = Fosc/64  
 0001 = SPI Master mode, Clock = Fosc/16  
 0000 = SPI Master mode, Clock = Fosc/4

- Note 1:** In Master mode, the overflow bit is not set since each new reception (and transmission) is initiated by writing to the SSPxBUF register.
- 2:** When enabled, this pin must be properly configured as input or output.
- 3:** Bit combinations, not specifically listed here, are either reserved or implemented in I<sup>2</sup>C™ mode only.



## 19.3.2 OPERATION

When initializing the SPI, several options need to be specified. This is done by programming the appropriate control bits (SSPxCON1<5:0> and SSPxSTAT<7:6>). These control bits allow the following to be specified:

- Master mode (SCKx is the clock output)
- Slave mode (SCKx is the clock input)
- Clock Polarity (Idle state of SCKx)
- Data Input Sample Phase (middle or end of data output time)
- Clock Edge (output data on rising/falling edge of SCKx)
- Clock Rate (Master mode only)
- Slave Select mode (Slave mode only)

Each MSSP module consists of a Transmit/Receive Shift register (SSPxSR) and a Buffer register (SSPxBUF). The SSPxSR shifts the data in and out of the device, MSb first. The SSPxBUF holds the data that was written to the SSPxSR until the received data is ready. Once the 8 bits of data have been received, that byte is moved to the SSPxBUF register. Then, the Buffer Full (BF) detect bit (SSPxSTAT<0>) and the interrupt flag bit, SSPxIF, are set. This double-buffering of the received data (SSPxBUF) allows the next byte to start reception before reading the data that was just received.

Any write to the SSPxBUF register during transmission/reception of data will be ignored and the Write Collision Detect bit, WCOL (SSPxCON1<7>), will be set. User software must clear the WCOL bit so that it can be determined if the following write(s) to the SSPxBUF register completed successfully.

**Note:** When the application software is expecting to receive valid data, the SSPxBUF should be read before the next byte of transfer data is written to the SSPxBUF. Application software should follow this process even when the current contents of SSPxBUF are not important.

The Buffer Full bit, BF (SSPxSTAT<0>), indicates when SSPxBUF has been loaded with the received data (transmission is complete). When the SSPxBUF is read, the BF bit is cleared. This data may be irrelevant if the SPI is only a transmitter. Generally, the MSSP interrupt is used to determine when the transmission/reception has completed. If the interrupt method is not going to be used, then software polling can be done to ensure that a write collision does not occur.

**Example 19-1** provides the loading of the SSPxBUF (SSPxSR) for data transmission.

The SSPxSR is not directly readable or writable and can only be accessed by addressing the SSPxBUF register. Additionally, the SSPxSTAT register indicates the various status conditions.

## 19.3.3 OPEN-DRAIN OUTPUT OPTION

The drivers for the SDOx output and SCKx clock pins can be optionally configured as open-drain outputs. This feature allows the voltage level on the pin to be pulled to a higher level through an external pull-up resistor, provided the SDOx or SCKx pin is not multiplexed with an ANx analog function. This allows the output to communicate with external circuits without the need for additional level shifters. For more information, see [Section 10.1.4 “Open-Drain Outputs”](#).

The open-drain output option is controlled by the SPI2OD and SPI1OD bits (ODCON3<1:0>). Setting an SPIxOD bit configures both SDOx and SCKx pins for the corresponding open-drain operation.

### EXAMPLE 19-1: LOADING THE SSP1BUF (SSP1SR) REGISTER

|      |       |              |  |
|------|-------|--------------|--|
| LOOP | BTFSS | SSP1STAT, BF | ;Has data been received (transmit complete)? |
|      | BRA   | LOOP         | ;No  |
|      | MOVF  | SSP1BUF, W   | ;WREG reg = contents of SSP1BUF              |
|      | MOVWF | RXDATA       | ;Save in user RAM, if data is meaningful     |
|      | MOVF  | TXDATA, W    | ;W reg = contents of TXDATA                  |
|      | MOVWF | SSP1BUF      | ;New data to xmit                            |

# PIC18F46J50 FAMILY

## 19.3.4 ENABLING SPI I/O

To enable the serial port, MSSP Enable bit, SSPEN (SSPxCON1<5>), must be set. To reset or reconfigure SPI mode, clear the SSPEN bit, reinitialize the SSPxCON1 registers and then set the SSPEN bit. This configures the SDIx, SDOx, SCKx and SSx pins as serial port pins. For the pins to behave as the serial port function, the appropriate TRIS bits, ANCON/PCFG bits and Peripheral Pin Select registers (if using MSSP2) should be correctly initialized prior to setting the SSPEN bit.

A typical SPI serial port initialization process follows:

- Initialize ODCON3 register (optional open-drain output control)
- Initialize remappable pin functions (if using MSSP2, see [Section 10.7 “Peripheral Pin Select \(PPS\)”](#))
- Initialize SCKx LAT value to desired Idle SCK level (if master device)
- Initialize SCKx ANCON/PCFG bit (if Slave mode and multiplexed with ANx function)
- Initialize SCKx TRIS bit as output (Master mode) or input (Slave mode)
- Initialize SDIx ANCON/PCFG bit (if SDIx is multiplexed with ANx function)
- Initialize SDIx TRIS bit
- Initialize SSx ANCON/PCFG bit (if Slave mode and multiplexed with ANx function)
- Initialize SSx TRIS bit (Slave modes)
- Initialize SDOx TRIS bit
- Initialize SSPxSTAT register
- Initialize SSPxCON1 register
- Set SSPEN bit to enable the module

Any MSSP1 serial port function that is not desired may be overridden by programming the corresponding Data Direction (TRIS) register to the opposite value. If individual MSSP2 serial port functions will not be used, they may be left unmapped.

**Note:** When MSSP2 is used in SPI Master mode, the SCK2 function must be configured as both an output and an input in the PPS module. SCK2 must be initialized as an output pin (by writing 0x0A to one of the RPORx registers). Additionally, SCK2IN must also be mapped to the same pin by initializing the RPINR22 register. Failure to initialize SCK2/SCK2IN as both output and input will prevent the module from receiving data on the SDI2 pin, as the module uses the SCK2IN signal to latch the received data.

## 19.3.5 TYPICAL CONNECTION

Figure 19-2 illustrates a typical connection between two microcontrollers. The master controller (Processor 1) initiates the data transfer by sending the SCKx signal. Data is shifted out of both shift registers on their programmed clock edge and latched on the opposite edge of the clock. Both processors should be programmed to the same Clock Polarity (CKP), then both controllers would send and receive data at the same time. Whether the data is meaningful (or dummy data) depends on the application software. This leads to three scenarios for data transmission:

- Master sends valid data – Slave sends dummy data
- Master sends valid data – Slave sends valid data
- Master sends dummy data – Slave sends valid data

**FIGURE 19-2: SPI MASTER/SLAVE CONNECTION**



# PIC18F46J50 FAMILY

## 19.3.6 MASTER MODE

The master can initiate the data transfer at any time because it controls the SCKx. The master determines when the slave (Processor 2, [Figure 19-2](#)) is to broadcast data by the software protocol.

In Master mode, the data is transmitted/received as soon as the SSPxBUF register is written to. If the SPI is only going to receive, the SDOx output could be disabled (programmed as an input). The SSPxSR register will continue to shift in the signal present on the SDIx pin at the programmed clock rate. As each byte is received, it will be loaded into the SSPxBUF register as if a normal received byte (interrupts and status bits appropriately set). This could be useful in receiver applications as a “Line Activity Monitor” mode.

**Note:** To avoid lost data in Master mode, a read of the SSPxBUF must be performed to clear the Buffer Full (BF) detect bit (SSPxSTAT<0>) between each transmission.

The CKP is selected by appropriately programming the CKP bit (SSPxCON1<4>). This then, would give waveforms for SPI communication as illustrated in [Figure 19-3](#), [Figure 19-5](#) and [Figure 19-6](#), where the Most Significant Byte (MSB) is transmitted first. In Master mode, the SPI clock rate (bit rate) is user-programmable to be one of the following:

- $F_{osc}/4$  (or  $T_{CY}$ )
- $F_{osc}/16$  (or  $4 \cdot T_{CY}$ )
- $F_{osc}/64$  (or  $16 \cdot T_{CY}$ )
- Timer2 output/2

When using the Timer2 output/2 option, the Period Register 2 (PR2) can be used to determine the SPI bit rate. However, only PR2 values of 0x01 to 0xFF are valid in this mode.

[Figure 19-3](#) illustrates the waveforms for Master mode. When the CKE bit is set, the SDOx data is valid before there is a clock edge on SCKx. The change of the input sample is shown based on the state of the SMP bit. The time when the SSPxBUF is loaded with the received data is shown.

**FIGURE 19-3: SPI MODE WAVEFORM (MASTER MODE)**



# PIC18F46J50 FAMILY

## 19.3.7 SLAVE MODE

In Slave mode, the data is transmitted and received as the external clock pulses appear on SCKx. When the last bit is latched, the SSPxIF interrupt flag bit is set.

While in Slave mode, the external clock is supplied by the external clock source on the SCKx pin. This external clock must meet the minimum high and low times as specified in the electrical specifications.

While in Sleep mode, the slave can transmit/receive data. When a byte is received, the device can be configured to wake-up from Sleep.

## 19.3.8 SLAVE SELECT SYNCHRONIZATION

The  $\overline{SSx}$  pin allows a Synchronous Slave mode. The SPI must be in Slave mode with the  $\overline{SSx}$  pin control enabled ( $SSPxCON1\langle 3:0 \rangle = 04h$ ). When the  $\overline{SSx}$  pin is low, transmission and reception are enabled and the SDOx pin is driven. When the  $\overline{SSx}$  pin goes high, the SDOx pin is no longer driven, even if in the middle of a

transmitted byte and becomes a floating output. External pull-up/pull-down resistors may be desirable depending on the application.

**Note 1:** When the SPI is in Slave mode with the  $\overline{SSx}$  pin control enabled ( $SSPxCON1\langle 3:0 \rangle = 0100$ ), the SPI module will reset if the  $\overline{SSx}$  pin is set to VDD.

**2:** If the SPI is used in Slave mode with CKE set, then the  $\overline{SSx}$  pin control must be enabled.

When the SPI module resets, the bit counter is forced to '0'. This can be done by either forcing the  $\overline{SSx}$  pin to a high level or clearing the SSPEN bit.

To emulate two-wire communication, the SDOx pin can be connected to the SDIx pin. When the SPI needs to operate as a receiver, the SDOx pin can be configured as an input. This disables transmissions from the SDOx. The SDIx can always be left as an input (SDIx function) since it cannot create a bus conflict.

**FIGURE 19-4: SLAVE SYNCHRONIZATION WAVEFORM**



# PIC18F46J50 FAMILY

**FIGURE 19-5: SPI MODE WAVEFORM (SLAVE MODE WITH CKE = 0)**



**FIGURE 19-6: SPI MODE WAVEFORM (SLAVE MODE WITH CKE = 1)**



# PIC18F46J50 FAMILY

## 19.3.9 OPERATION IN POWER-MANAGED MODES

In SPI Master mode, module clocks may be operating at a different speed than when in full-power mode. In the case of Sleep mode, all clocks are halted.

In Idle modes, a clock is provided to the peripherals. That clock can be from the primary clock source, the secondary clock (Timer1 oscillator) or the INTOSC source. See [Section 3.5 “Clock Sources and Oscillator Switching”](#) for additional information.

In most cases, the speed that the master clocks SPI data is not important; however, this should be evaluated for each system.

If MSSP interrupts are enabled, they can wake the controller from Sleep mode, or one of the Idle modes, when the master completes sending data. If an exit from Sleep or Idle mode is not desired, MSSP interrupts should be disabled.

If the Sleep mode is selected, all module clocks are halted and the transmission/reception will remain in that state until the device wakes. After the device returns to Run mode, the module will resume transmitting and receiving data.

In SPI Slave mode, the SPI Transmit/Receive Shift register operates asynchronously to the device. This allows the device to be placed in any power-managed mode and data to be shifted into the SPI Transmit/Receive Shift register. When all 8 bits have been received, the MSSP interrupt flag bit will be set, and if enabled, will wake the device.

## 19.3.10 EFFECTS OF A RESET

A Reset disables the MSSP module and terminates the current transfer.

## 19.3.11 BUS MODE COMPATIBILITY

[Table 19-1](#) provides the compatibility between the standard SPI modes and the states of the CKP and CKE control bits.

**TABLE 19-1: SPI BUS MODES**

| Standard SPI Mode Terminology | Control Bits State |     |
|-------------------------------|--------------------|-----|
|                               | CKP                | CKE |
| 0, 0                          | 0                  | 1   |
| 0, 1                          | 0                  | 0   |
| 1, 0                          | 1                  | 1   |
| 1, 1                          | 1                  | 0   |

**Note:** There is also an SMP bit, which controls when the data is sampled.

## 19.3.12 SPI CLOCK SPEED AND MODULE INTERACTIONS

Because MSSP1 and MSSP2 are independent modules, they can operate simultaneously at different data rates. Setting the SSPM<3:0> bits of the SSPxCON1 register determines the rate for the corresponding module.

An exception is when both modules use Timer2 as a time base in Master mode. In this instance, any changes to the Timer2 module's operation will affect both MSSP modules equally. If different bit rates are required for each module, the user should select one of the other three time base options for one of the modules.

# PIC18F46J50 FAMILY

**TABLE 19-2: REGISTERS ASSOCIATED WITH SPI OPERATION**

| Name                  | Bit 7                                  | Bit 6     | Bit 5       | Bit 4  | Bit 3  | Bit 2       | Bit 1   | Bit 0  | Reset Values on Page: |
|-----------------------|--|-----------|-------------|--------|--------|-------------|---------|--------|-----------------------|
| INTCON                | GIE/GIEH                               | PEIE/GIEL | TMR0IE      | INT0IE | RBIE   | TMR0IF      | INT0IF  | RBIF   | 69                    |
| PIR1                  | PMPIF <sup>(2)</sup>                   | ADIF      | RC1IF       | TX1IF  | SSP1IF | CCP1IF      | TMR2IF  | TMR1IF | 72                    |
| PIE1                  | PMPIE <sup>(2)</sup>                   | ADIE      | RC1IE       | TX1IE  | SSP1IE | CCP1IE      | TMR2IE  | TMR1IE | 72                    |
| IPR1                  | PMPPIF <sup>(2)</sup>                  | ADIP      | RC1IP       | TX1IP  | SSP1IP | CCP1IP      | TMR2IP  | TMR1IP | 72                    |
| PIR3                  | SSP2IF                                 | BCL2IF    | RC2IF       | TX2IF  | TMR4IF | CTMUIF      | TMR3GIF | RTCCIF | 72                    |
| PIE3                  | SSP2IE                                 | BCL2IE    | RC2IE       | TX2IE  | TMR4IE | CTMUIE      | TMR3GIE | RTCCIE | 72                    |
| IPR3                  | SSP2IP                                 | BCL2IP    | RC2IP       | TX2IP  | TMR4IP | CTMUIP      | TMR3GIP | RTCCIP | 72                    |
| TRISA                 | TRISA7                                 | TRISA6    | TRISA5      | —      | TRISA3 | TRISA2      | TRISA1  | TRISA0 | 72                    |
| TRISB                 | TRISB7                                 | TRISB6    | TRISB5      | TRISB4 | TRISB3 | TRISB2      | TRISB1  | TRISB0 | 72                    |
| TRISC                 | TRISC7                                 | TRISC6    | —           | —      | —      | TRISC2      | TRISC1  | TRISC0 | 72                    |
| SSP1BUF               | MSSP1 Receive Buffer/Transmit Register |           |             |        |        |             |         |        | 70                    |
| SSPxCON1              | WCOL                                   | SSPOV     | SSPEN       | CKP    | SSPM3  | SSPM2       | SSPM1   | SSPM0  | 70                    |
| SSPxSTAT              | SMP                                    | CKE       | D $\bar{A}$ | P      | S      | R $\bar{W}$ | UA      | BF     | 70                    |
| SSP2BUF               | MSSP2 Receive Buffer/Transmit Register |           |             |        |        |             |         |        | 73                    |
| ODCON3 <sup>(1)</sup> | —                                      | —         | —           | —      | —      | —           | SPI2OD  | SPI1OD | 74                    |

**Legend:** Shaded cells are not used by the MSSP module in SPI mode.

**Note 1:** Configuration SFR overlaps with default SFR at this address; available only when WDTCON<4> = 1.

**2:** These bits are only available on 44-pin devices.

# PIC18F46J50 FAMILY

---

## 19.4 SPI DMA MODULE

The SPI DMA module contains control logic to allow the MSSP2 module to perform SPI direct memory access transfers. This enables the module to quickly transmit or receive large amounts of data with relatively little CPU intervention. When the SPI DMA module is used, MSSP2 can directly read and write to general purpose SRAM. When the SPI DMA module is not enabled, MSSP2 functions normally, but without DMA capability.

The SPI DMA module is composed of control logic, a Destination Receive Address Pointer, a Transmit Source Address Pointer, an interrupt manager and a Byte Count register for setting the size of each DMA transfer. The DMA module may be used with all SPI Master and Slave modes, and supports both half-duplex and full-duplex transfers.

### 19.4.1 I/O PIN CONSIDERATIONS

When enabled, the SPI DMA module uses the MSSP2 module. All SPI related input and output signals, related to MSSP2, are routed through the Peripheral Pin Select module. The appropriate initialization procedure, as described in [Section 19.4.6 “Using the SPI DMA Module”](#), will need to be followed prior to using the SPI DMA module. The output pins assigned to the SDO2 and SCK2 functions can optionally be configured as open-drain outputs, such as for level shifting operations mentioned in the same section.

### 19.4.2 RAM TO RAM COPY OPERATIONS

Although the SPI DMA module is primarily intended to be used for SPI communication purposes, the module can also be used to perform RAM to RAM copy operations. To do this, configure the module for Full-Duplex Master mode operation, but assign the SDO2 output and SDI2 input functions onto the same RPn pin in the PPS module. Also assign SCK2 out and SCK2 in onto the same RPn pin (a different pin than used for SDO2 and SDI2). This will allow the module to operate in Loopback mode, providing RAM copy capability.

### 19.4.3 IDLE AND SLEEP CONSIDERATIONS

The SPI DMA module remains fully functional when the microcontroller is in Idle mode.

During normal Sleep, the SPI DMA module is not functional and should not be used. To avoid corrupting a transfer, user firmware should be careful to make certain that pending DMA operations are complete by polling the DMAEN bit in the DMACON1 register, prior to putting the microcontroller into Sleep.

In SPI Slave modes, the MSSP2 module is capable of transmitting and/or receiving one byte of data while in Sleep mode. This allows the SSP2IF flag in the PIR3 register to be used as a wake-up source. When the DMAEN bit is cleared, the SPI DMA module is effectively disabled, and the MSSP2 module functions normally, but without DMA capabilities. If the DMAEN bit is clear prior to entering Sleep, it is still possible to use the SSP2IF as a wake-up source without any data loss.

Neither MSSP2 nor the SPI DMA module will provide any functionality in Deep Sleep. Upon exiting from Deep Sleep, all of the I/O pins, MSSP2 and SPI DMA related registers will need to be fully reinitialized before the SPI DMA module can be used again.

### 19.4.4 REGISTERS

The SPI DMA engine is enabled and controlled by the following Special Function Registers:

- DMACON1
- TXADDRH
- RXADDRH
- DMABCH
- DMACON2
- TXADDRL
- RXADDRL
- DMABCL



## 19.4.4.1 DMACON1

The DMACON1 register is used to select the main operating mode of the SPI DMA module. The SSSCON1 and SSSCON0 bits are used to control the slave select pin.

When MSSP2 is used in SPI Master mode with the SPI DMA module,  $\overline{SSDMA}$  can be controlled by the DMA module as an output pin. If MSSP2 will be used to communicate with an SPI slave device that needs the  $\overline{SSx}$  pin to be toggled periodically, the SPI DMA hardware can automatically be used to deassert  $\overline{SSx}$  between each byte, every two bytes or every four bytes.

Alternatively, user firmware can manually generate slave select signals with normal general purpose I/O pins, if required by the slave device(s).

When the TXINC bit is set, the TXADDR register will automatically increment after each transmitted byte. Automatic transmit address increment can be disabled by clearing the TXINC bit. If the automatic transmit address increment is disabled, each byte, which is output on SDO2, will be the same (the contents of the SRAM pointed to by the TXADDR register) for the entire DMA transaction.

When the RXINC bit is set, the RXADDR register will automatically increment after each received byte. Automatic receive address increment can be disabled by clearing the RXINC bit. If RXINC is disabled in Full-Duplex or Half-Duplex Receive modes, all incoming data bytes on SDI2 will overwrite the same memory location pointed to by the RXADDR register. After the SPI DMA transaction has completed, the last received byte will reside in the memory location pointed to by the RXADDR register.

The SPI DMA module can be used for either half-duplex receive only communication, half-duplex transmit only communication or full-duplex simultaneous transmit and receive operations. All modes are available for both SPI master and SPI slave configurations. The DUPLEX0 and DUPLEX1 bits can be used to select the desired operating mode.

The behavior of the DLYINTEN bit varies greatly depending on the SPI operating mode. For example behavior for each of the modes, see [Figure 19-3](#) through [Figure 19-6](#).

SPI Slave mode, DLYINTEN = 1: In this mode, an SSP2IF interrupt will be generated during a transfer if the time between successful byte transmission events is longer than the value set by the DLYCYC<3:0> bits in the DMACON2 register. This interrupt allows slave firmware to know that the master device is taking an unusually large amount of time between byte transmissions. For example, this information may be useful for implementing application-defined communication protocols, involving time-outs if the bus remains Idle for too long. When DLYINTEN = 1, the DLYLVL<3:0> interrupts occur normally according to the selected setting.

SPI Slave mode, DLYINTEN = 0: In this mode, the time-out-based interrupt is disabled. No additional SSP2IF interrupt events will be generated by the SPI DMA module, other than those indicated by the INTLVL<3:0> bits in the DMACON2 register. In this mode, always set DLYCYC<3:0> = 0000.

SPI Master mode, DLYINTEN = 0: The DLYCYC<3:0> bits in the DMACON2 register determine the amount of additional inter-byte delay, which is added by the SPI DMA module during a transfer. The Master mode  $\overline{SS2}$  output feature may be used.

SPI Master mode, DLYINTEN = 1: The amount of hardware overhead is slightly reduced in this mode, and the minimum inter-byte delay is 8 T<sub>cy</sub> for Fosc/4, 9 T<sub>cy</sub> for Fosc/16 and 15 T<sub>cy</sub> for Fosc/64. This mode can potentially be used to obtain slightly higher effective SPI bandwidth. In this mode, the  $\overline{SS2}$  control feature cannot be used, and should always be disabled (DMACON1<7:6> = 00). Additionally, the interrupt generating hardware (used in Slave mode) remains active. To avoid extraneous SSP2IF interrupt events, set the DMACON2 delay bits, DLYCYC<3:0> = 1111, and ensure that the SPI serial clock rate is no slower than Fosc/64.

In SPI Master modes, the DMAEN bit is used to enable the SPI DMA module and to initiate an SPI DMA transaction. After user firmware sets the DMAEN bit, the DMA hardware will begin transmitting and/or receiving data bytes according to the configuration used. In SPI Slave modes, setting the DMAEN bit will finish the initialization steps needed to prepare the SPI DMA module for communication (which must still be initiated by the master device).

To avoid possible data corruption, once the DMAEN bit is set, user firmware should not attempt to modify any of the MSSP2 or SPI DMA related registers, with the exception of the INTLVL bits in the DMACON2 register.

If user firmware wants to halt an ongoing DMA transaction, the DMAEN bit can be manually cleared by the firmware. Clearing the DMAEN bit while a byte is currently being transmitted will not immediately halt the byte in progress. Instead, any byte currently in progress will be completed before the MSSP2 and SPI DMA modules go back to their Idle conditions. If user firmware clears the DMAEN bit, the TXADDR, RXADDR and DMABC registers will no longer update, and the DMA module will no longer make any additional read or writes to SRAM; therefore, state information can be lost.

# PIC18F46J50 FAMILY

## REGISTER 19-3: DMACON1: DMA CONTROL REGISTER 1 (ACCESS F88h)

| R/W-0  | R/W-0  | R/W-0 | R/W-0 | R/W-0   | R/W-0   | R/W-0    | R/W-0 |
|--------|--------|-------|-------|---------|---------|----------|-------|
| SSCON1 | SSCON0 | TXINC | RXINC | DUPLEX1 | DUPLEX0 | DLYINTEN | DMAEN |
| bit 7  |        |       |       |         |         |          | bit 0 |

### Legend:

R = Readable bit

W = Writable bit

U = Unimplemented bit, read as '0'

-n = Value at POR

'1' = Bit is set

'0' = Bit is cleared

x = Bit is unknown

- bit 7-6      **SSCON<1:0>**: SSDMA Output Control bits (Master modes only)  
 11 = SSDMA is asserted for the duration of 4 bytes; DLYINTEN is always reset low  
 01 = SSDMA is asserted for the duration of 2 bytes; DLYINTEN is always reset low  
 10 = SSDMA is asserted for the duration of 1 byte; DLYINTEN is always reset low  
 00 = SSDMA is not controlled by the DMA module; DLYINTEN bit is software-programmable
- bit 5      **TXINC**: Transmit Address Increment Enable bit  
 Allows the transmit address to increment as the transfer progresses.  
 1 = The transmit address is to be incremented from the initial value of TXADDR<11:0>  
 0 = The transmit address is always set to the initial value of TXADDR<11:0>
- bit 4      **RXINC**: Receive Address Increment Enable bit  
 Allows the receive address to increment as the transfer progresses.  
 1 = The receive address is to be incremented from the initial value of RXADDR<11:0>  
 0 = The receive address is always set to the initial value of RXADDR<11:0>
- bit 3-2      **DUPLEX<1:0>**: Transmit/Receive Operating Mode Select bits  
 10 = SPI DMA operates in Full-Duplex mode, data is simultaneously transmitted and received  
 01 = DMA operates in Half-Duplex mode, data is transmitted only  
 00 = DMA operates in Half-Duplex mode, data is received only
- bit 1      **DLYINTEN**: Delay Interrupt Enable bit  
 Enables the interrupt to be invoked after the number of Tcy cycles specified in DLYCYC<2:0> has elapsed from the latest completed transfer.  
 1 = The interrupt is enabled, SSCON<1:0> must be set to '00'  
 0 = The interrupt is disabled
- bit 0      **DMAEN**: DMA Operation Start/Stop bit  
 This bit is set by the users' software to start the DMA operation. It is reset back to zero by the DMA engine when the DMA operation is completed or aborted.  
 1 = DMA is in session  
 0 = DMA is not in session

# PIC18F46J50 FAMILY

## 19.4.4.2 DMACON2

The DMACON2 register contains control bits for controlling interrupt generation and inter-byte delay behavior. The INTLVL<3:0> bits are used to select when an SSP2IF interrupt should be generated. The function of the DLYCYC<3:0> bits depends on the SPI operating mode (Master/Slave), as well as the DLYINTEN setting. In SPI Master mode, the DLYCYC<3:0> bits can be used

to control how much time the module will idle between bytes in a transfer. By default, the hardware requires a minimum delay of: 8 T<sub>cy</sub> for F<sub>osc</sub>/4, 9 T<sub>cy</sub> for F<sub>osc</sub>/16 and 15 T<sub>cy</sub> for F<sub>osc</sub>/64. Additional delay can be added with the DLYCYC bits. In SPI Slave modes, the DLYCYC<3:0> bits may optionally be used to trigger an additional time-out based interrupt.

**REGISTER 19-4: DMACON2: DMA CONTROL REGISTER 2 (ACCESS F86h)**

|         |         |         |         |         |         |         |         |
|---------|---------|---------|---------|---------|---------|---------|---------|
| R/W-0   | R/W-0   | R/W-0   | R/W-0   | R/W-0   | R/W-0   | R/W-0   | R/W-0   |
| DLYCYC3 | DLYCYC2 | DLYCYC1 | DLYCYC0 | INTLVL3 | INTLVL2 | INTLVL1 | INTLVL0 |
| bit 7   |         |         |         |         |         |         | bit 0   |

**Legend:**

|                   |                  |                                    |
|-------------------|------------------|------------------------------------|
| R = Readable bit  | W = Writable bit | U = Unimplemented bit, read as '0' |
| -n = Value at POR | '1' = Bit is set | '0' = Bit is cleared               |
|                   |                  | x = Bit is unknown                 |

bit 7-4 **DLYCYC<3:0>**: Delay Cycle Selection bits

When DLYINTEN = 0, these bits specify the additional delay (above the base overhead of the hardware) in number of T<sub>cy</sub> cycles before the SSP2BUF register is written again for the next transfer. When DLYINTEN = 1, these bits specify the delay in number of T<sub>cy</sub> cycles from the latest completed transfer before an interrupt to the CPU is invoked. In this case, the additional delay before the SSP2BUF register is written again is 1 T<sub>cy</sub> + (base overhead of hardware).

- 1111 = Delay time in number of instruction cycles is 2,048 cycles
- 1110 = Delay time in number of instruction cycles is 1,024 cycles
- 1101 = Delay time in number of instruction cycles is 896 cycles
- 1100 = Delay time in number of instruction cycles is 768 cycles
- 1011 = Delay time in number of instruction cycles is 640 cycles
- 1010 = Delay time in number of instruction cycles is 512 cycles
- 1001 = Delay time in number of instruction cycles is 384 cycles
- 1000 = Delay time in number of instruction cycles is 256 cycles
- 0111 = Delay time in number of instruction cycles is 128 cycles
- 0110 = Delay time in number of instruction cycles is 64 cycles
- 0101 = Delay time in number of instruction cycles is 32 cycles
- 0100 = Delay time in number of instruction cycles is 16 cycles
- 0011 = Delay time in number of instruction cycles is 8 cycles
- 0010 = Delay time in number of instruction cycles is 4 cycles
- 0001 = Delay time in number of instruction cycles is 2 cycles
- 0000 = Delay time in number of instruction cycles is 1 cycle

bit 3-0 **INTLVL<3:0>**: Watermark Interrupt Enable bits

These bits specify the amount of remaining data yet to be transferred (transmitted and/or received) upon which an interrupt is generated.

- 1111 = Amount of remaining data to be transferred is 576 bytes
- 1110 = Amount of remaining data to be transferred is 512 bytes
- 1101 = Amount of remaining data to be transferred is 448 bytes
- 1100 = Amount of remaining data to be transferred is 384 bytes
- 1011 = Amount of remaining data to be transferred is 320 bytes
- 1010 = Amount of remaining data to be transferred is 256 bytes
- 1001 = Amount of remaining data to be transferred is 192 bytes
- 1000 = Amount of remaining data to be transferred is 128 bytes
- 0111 = Amount of remaining data to be transferred is 67 bytes
- 0110 = Amount of remaining data to be transferred is 32 bytes
- 0101 = Amount of remaining data to be transferred is 16 bytes
- 0100 = Amount of remaining data to be transferred is 8 bytes
- 0011 = Amount of remaining data to be transferred is 4 bytes
- 0010 = Amount of remaining data to be transferred is 2 bytes
- 0001 = Amount of remaining data to be transferred is 1 byte
- 0000 = Transfer complete

# PIC18F46J50 FAMILY

## 19.4.4.3 DMABCH and DMABCL

The DMABCH and DMABCL register pair forms a 10-bit Byte Count register, which is used by the SPI DMA module to send/receive up to 1,024 bytes for each DMA transaction. When the DMA module is actively running (DMAEN = 1), the DMA Byte Count register decrements after each byte is transmitted/received. The DMA transaction will halt, and the DMAEN bit will be automatically cleared by hardware after the last byte has completed. After a DMA transaction is complete, the DMABC register will read 0x000.

Prior to initiating a DMA transaction by setting the DMAEN bit, user firmware should load the appropriate value into the DMABCH/DMABCL registers. The DMABC is a “base zero” counter, so the actual number of bytes, which will be transmitted, follows in Equation 19-1.

For example, if user firmware wants to transmit 7 bytes in one transaction, DMABC should be loaded with 006h. Similarly, if user firmware wishes to transmit 1,024 bytes, DMABC should be loaded with 3FFh.

### EQUATION 19-1: BYTES TRANSMITTED FOR A GIVEN DMABC

$$\text{Bytes}_{\text{XMIT}} = (\text{DMABC} + 1)$$

## 19.4.4.4 TXADDRH and TXADDRL

The TXADDRH and TXADDRL registers pair together to form a 12-bit Transmit Source Address Pointer register. In modes that use TXADDR (Full-Duplex and Half-Duplex Transmit), the TXADDR will be incremented after each byte is transmitted. Transmitted data bytes will be taken from the memory location pointed to by the TXADDR register. The contents of the memory locations pointed to by TXADDR will not be modified by the DMA module during a transmission.

The SPI DMA module can read from and transmit data from all general purpose memory on the device, including memory used for USB endpoint buffers. The SPI DMA module cannot be used to read from the Special Function Registers (SFRs) contained in Banks 14 and 15.

## 19.4.4.5 RXADDRH and RXADDRL

The RXADDRH and RXADDRL register pair together to form a 12-bit Receive Destination Address Pointer. In modes that use RXADDR (Full-Duplex and Half-Duplex Receive), the RXADDR register will be incremented after each byte is received. Received data bytes will be stored at the memory location pointed to by the RXADDR register.

The SPI DMA module can write received data to all general purpose memory on the device, including memory used for USB endpoint buffers. The SPI DMA module cannot be used to modify the Special Function Registers contained in Banks 14 and 15.

## 19.4.5 INTERRUPTS

The SPI DMA module alters the behavior of the SSP2IF interrupt flag. In normal/non-DMA modes, the SSP2IF is set once after every single byte is transmitted/received through the MSSP2 module. When MSSP2 is used with the SPI DMA module, the SSP2IF interrupt flag will be set according to the user-selected INTLVL<3:0> value specified in the DMACON2 register. The SSP2IF interrupt condition will also be generated once the SPI DMA transaction has fully completed and the DMAEN bit has been cleared by hardware.

The SSP2IF flag becomes set once the DMA byte count value indicates that the specified INTLVL has been reached. For example, if DMACON2<3:0> = 0101 (16 bytes remaining), the SSP2IF interrupt flag will become set once DMABC reaches 00Fh. If user firmware then clears the SSP2IF interrupt flag, the flag will not be set again by the hardware until after all bytes have been fully transmitted and the DMA transaction is complete.

**Note:** User firmware may modify the INTLVL bits while a DMA transaction is in progress (DMAEN = 1). If an INTLVL value is selected which is higher than the actual remaining number of bytes (indicated by DMABC + 1), the SSP2IF interrupt flag will immediately become set.

For example, if DMABC = 00Fh (implying 16 bytes are remaining) and user firmware writes ‘1111’ to INTLVL<3:0> (interrupt when 576 bytes are remaining), the SSP2IF interrupt flag will immediately become set. If user firmware clears this interrupt flag, a new interrupt condition will not be generated until either: user firmware again writes INTLVL with an interrupt level higher than the actual remaining level, or the DMA transaction completes and the DMAEN bit is cleared.

**Note:** If the INTLVL bits are modified while a DMA transaction is in progress, care should be taken to avoid inadvertently changing the DLYCYC<3:0> value.

## 19.4.6 USING THE SPI DMA MODULE

The following steps would typically be taken to enable and use the SPI DMA module:

1. Configure the I/O pins, which will be used by MSSP2:
  - a) Assign SCK2, SDO2, SDI2 and  $\overline{SS2}$  to RPN pins as appropriate for the SPI mode which will be used. Only functions which will be used need to be assigned to a pin.
  - b) Initialize the associated LATx registers for the desired Idle SPI bus state.
  - c) If Open-Drain Output mode on SDO2 and SCK2 (Master mode) is desired, set ODCON3<1>.
  - d) Configure corresponding TRISx bits for each I/O pin used.
2. Configure and enable MSSP2 for the desired SPI operating mode:
  - a) Select the desired operating mode (Master or Slave, SPI Mode 0, 1, 2 and 3) and configure the module by writing to the SSP2STAT and SSP2CON1 registers.
  - b) Enable MSSP2 by setting SSP2CON1<5> = 1.
3. Configure the SPI DMA engine.:
  - a) Select the desired operating mode by writing the appropriate values to DMACON2 and DMACON1.
  - b) Initialize the TXADDRH/TXADDRL Pointer (Full-Duplex or Half-Duplex Transmit Only mode).
  - c) Initialize the RXADDRH/RXADDRL Pointer (Full-Duplex or Half-Duplex Receive Only mode).
  - d) Initialize the DMABCH/DMABCL Byte Count register with the number of bytes to be transferred in the next SPI DMA operation.
  - e) Set the DMAEN bit (DMACON1<0>).

In SPI Master modes, this will initiate a DMA transaction. In SPI Slave modes, this will complete the initialization process, and the module will now be ready to begin receiving and/or transmitting data to the master device once the master starts the transaction.

4. Detect the SSP2IF interrupt condition (PIR3<7>):
  - a) If the interrupt was configured to occur at the completion of the SPI DMA transaction, the DMAEN bit (DMACON1<0>) will be clear. User firmware may prepare the module for another transaction by repeating Steps 3.b through 3.e.
  - b) If the interrupt was configured to occur prior to the completion of the SPI DMA transaction, the DMAEN bit may still be set, indicating the transaction is still in progress. User firmware would typically use this interrupt condition to begin preparing new data for the next DMA transaction. Firmware should not repeat Steps 3.b. through 3.e. until the DMAEN bit is cleared by the hardware, indicating the transaction is complete.

[Example 19-2](#) provides example code demonstrating the initialization process and the steps needed to use the SPI DMA module to perform a 512-byte Full-Duplex, Master mode transfer.

# PIC18F46J50 FAMILY

## EXAMPLE 19-2: 512-BYTE SPI MASTER MODE Init AND TRANSFER

```
                                ;For this example, let's use RP5(RB2) for SCK2,
                                ;RP4(RB1) for SDO2, and RP3(RB0) for SDI2

                                ;Let's use SPI master mode, CKE = 0, CKP = 0,
                                ;without using slave select signalling.

InitSPIPins:
    movlb    0x0F                ;Select bank 15, for access to ODCON3 register
    bcf      ODCON3, SPI2OD      ;Let's not use open drain outputs in this example

    bcf      LATB, RB2           ;Initialize our (to be) SCK2 pin low (idle).
    bcf      LATB, RB1           ;Initialize our (to be) SDO2 pin to an idle state
    bcf      TRISB, RB1         ;Make SDO2 output, and drive low
    bcf      TRISB, RB2         ;Make SCK2 output, and drive low (idle state)
    bsf      TRISB, RB0         ;SDI2 is an input, make sure it is tri-stated

                                ;Now we should unlock the PPS registers, so we can
                                ;assign the MSSP2 functions to our desired I/O pins.

    movlb    0x0E                ;Select bank 14 for access to PPS registers
    bcf      INTCON, GIE         ;I/O Pin unlock sequence will not work if CPU
                                ;services an interrupt during the sequence

    movlw    0x55                ;Unlock sequence consists of writing 0x55
    movwf    EECON2              ;and 0xAA to the EECON2 register.
    movlw    0xAA
    movwf    EECON2
    bcf      PPSCON, IOLOCK      ;We may now write to RPINRx and RPORx registers
    bsf      INTCON, GIE         ;May now turn back on interrupts if desired

    movlw    0x03                ;RP3 will be SDI2
    movwf    RPINR21            ;Assign the SDI2 function to pin RP3

    movlw    0x0A                ;Let's assign SCK2 output to pin RP4
    movwf    RPOR4              ;RPOR4 maps output signals to RP4 pin
    movlw    0x04                ;SCK2 also needs to be configured as an input on the
                                ;same pin
    movwf    RPINR22            ;SCK2 input function taken from RP4 pin
    movlw    0x09                ;0x09 is SDO2 output
    movwf    RPOR5              ;Assign SDO2 output signal to the RP5 (RB2) pin
    movlb    0x0F                ;Done with PPS registers, bank 15 has other SFRs

InitMSSP2:
    clrf     SSP2STAT            ;CKE = 0, SMP = 0 (sampled at middle of bit)
    movlw    b'00000000'        ;CKP = 0, SPI Master mode, Fosc/4
    movwf    SSP2CON1           ;MSSP2 initialized
    bsf      SSP2CON1, SSPEN     ;Enable the MSSP2 module

InitSPIDMA:
    movlw    b'00111010'        ;Full duplex, RX/TXINC enabled, no SSCON
    movwf    DMACON1            ;DLYINTEN is set, so DLYCYC3:DLYCYC0 = 1111
    movlw    b'11110000'        ;Minimum delay between bytes, interrupt
    movwf    DMACON2            ;only once when the transaction is complete
```

# PIC18F46J50 FAMILY

## EXAMPLE 19-2: 512-BYTE SPI MASTER MODE Init AND TRANSFER (CONTINUED)

```
                                ;Somewhere else in our project, lets assume we have
                                ;allocated some RAM for use as SPI receive and
                                ;transmit buffers.

;                                udata      0x500
;DestBuf      res      0x200      ;Let's reserve 0x500-0x6FF for use as our SPI
;                                ;receive data buffer in this example
;SrcBuf       res      0x200      ;Lets reserve 0x700-0x8FF for use as our SPI
;                                ;transmit data buffer in this example

PrepareTransfer:
    movlw     HIGH(DestBuf)      ;Get high byte of DestBuf address (0x05)
    movwf     RXADDRH           ;Load upper four bits of the RXADDR register
    movlw     LOW(DestBuf)       ;Get low byte of the DestBuf address (0x00)
    movwf     RXADDRL           ;Load lower eight bits of the RXADDR register

    movlw     HIGH(SrcBuf)       ;Get high byte of SrcBuf address (0x07)
    movwf     TXADDRH           ;Load upper four bits of the TXADDR register
    movlw     LOW(SrcBuf)        ;Get low byte of the SrcBuf address (0x00)
    movwf     TXADDRL           ;Load lower eight bits of the TXADDR register

    movlw     0x01               ;Lets move 0x200 (512) bytes in one DMA xfer
    movwf     DMABCH             ;Load the upper two bits of DMABC register
    movlw     0xFF               ;Actual bytes transferred is (DMABC + 1), so
    movwf     DMABCL            ;we load 0x01FF into DMABC to xfer 0x200 bytes

BeginXfer:
    bsf      DMACON1, DMAEN      ;The SPI DMA module will now begin transferring
                                ;the data taken from SrcBuf, and will store
                                ;received bytes into DestBuf.

    ;Execute whatever           ;CPU is now free to do whatever it wants to
                                ;and the DMA operation will continue without
                                ;intervention, until it completes.

                                ;When the transfer is complete, the SSP2IF flag in
                                ;the PIR3 register will become set, and the DMAEN bit
                                ;is automatically cleared by the hardware.
                                ;The DestBuf (0x500-0x7FF) will contain the received
                                ;data. To start another transfer, firmware will need
                                ;to reinitialize RXADDR, TXADDR, DMABC and then
                                ;set the DMAEN bit.
```

# PIC18F46J50 FAMILY

## 19.5 I<sup>2</sup>C Mode

The MSSP module in I<sup>2</sup>C mode fully implements all master and slave functions (including general call support), and provides interrupts on Start and Stop bits in hardware to determine a free bus (multi-master function). The MSSP module implements the standard mode specifications and 7-bit and 10-bit addressing.

Two pins are used for data transfer:

- Serial Clock (SCLx) – RB4/PMA1/KBI0/SCL1/RP7 or RD0/PMD0/SCL2
- Serial Data (SDAx) – RB5/PMA0/KBI1/SDI1/SDA1/RP8 or RD1/PMD1/SDA2

The user must configure these pins as inputs by setting the associated TRIS bits. These pins are up to 5.5V tolerant, allowing direct use in I<sup>2</sup>C busses operating at voltages higher than VDD.

**FIGURE 19-7: MSSPx BLOCK DIAGRAM (I<sup>2</sup>C™ MODE)**



### 19.5.1 REGISTERS

The MSSP module has six registers for I<sup>2</sup>C operation. These are:

- MSSPx Control Register 1 (SSPxCON1)
- MSSPx Control Register 2 (SSPxCON2)
- MSSPx Status Register (SSPxSTAT)
- Serial Receive/Transmit Buffer Register (SSPxBUF)
- MSSPx Shift Register (SSPxSR) – Not directly accessible
- MSSPx Address Register (SSPxADD)
- MSSPx 7-Bit Address Mask Register (SSPxMSK)

SSPxCON1, SSPxCON2 and SSPxSTAT are the control and status registers in I<sup>2</sup>C mode operation. The SSPxCON1 and SSPxCON2 registers are readable and writable. The lower six bits of the SSPxSTAT are read-only. The upper two bits of the SSPxSTAT are read/write.

SSPxSR is the shift register used for shifting data in or out. SSPxBUF is the buffer register to which data bytes are written to or read from.

SSPxADD contains the slave device address when the MSSP is configured in I<sup>2</sup>C Slave mode. When the MSSP is configured in Master mode, the lower seven bits of SSPxADD act as the Baud Rate Generator (BRG) reload value.

SSPxMSK holds the slave address mask value when the module is configured for 7-Bit Address Masking mode. While it is a separate register, it shares the same SFR address as SSPxADD; it is only accessible when the SSPM<3:0> bits are specifically set to permit access. Additional details are provided in [Section 19.5.3.4 “7-Bit Address Masking Mode”](#).

In receive operations, SSPxSR and SSPxBUF together, create a double-buffered receiver. When SSPxSR receives a complete byte, it is transferred to SSPxBUF and the SSPxIF interrupt is set.

During transmission, the SSPxBUF is not double-buffered. A write to SSPxBUF will write to both SSPxBUF and SSPxSR.



# PIC18F46J50 FAMILY

**REGISTER 19-5: SSPxSTAT: MSSPx STATUS REGISTER (I<sup>2</sup>C™ MODE) (ACCESS FC7h, F73h)**

|       |       |     |                  |                  |                      |     |       |
|-------|-------|-----|------------------|------------------|----------------------|-----|-------|
| R/W-0 | R/W-0 | R-0 | R-0              | R-0              | R-0                  | R-0 | R-0   |
| SMP   | CKE   | D/A | P <sup>(1)</sup> | S <sup>(1)</sup> | R/W <sup>(2,3)</sup> | UA  | BF    |
| bit 7 |       |     |                  |                  |                      |     | bit 0 |

**Legend:**

|                   |                  |                                    |
|-------------------|------------------|------------------------------------|
| R = Readable bit  | W = Writable bit | U = Unimplemented bit, read as '0' |
| -n = Value at POR | '1' = Bit is set | '0' = Bit is cleared               |
|                   |                  | x = Bit is unknown                 |

- bit 7      **SMP:** Slew Rate Control bit  
In Master or Slave mode:  
 1 = Slew rate control is disabled for Standard Speed mode (100 kHz and 1 MHz)  
 0 = Slew rate control is enabled for High-Speed mode (400 kHz)
- bit 6      **CKE:** SMBus Select bit  
In Master or Slave mode:  
 1 = Enable SMBus-specific inputs  
 0 = Disable SMBus-specific inputs
- bit 5      **D/A:** Data/Address bit  
In Master mode:  
 Reserved.  
In Slave mode:  
 1 = Indicates that the last byte received or transmitted was data  
 0 = Indicates that the last byte received or transmitted was address
- bit 4      **P:** Stop bit<sup>(1)</sup>  
 1 = Indicates that a Stop bit has been detected last  
 0 = Stop bit was not detected last
- bit 3      **S:** Start bit<sup>(1)</sup>  
 1 = Indicates that a Start bit has been detected last  
 0 = Start bit was not detected last
- bit 2      **R/W:** Read/Write Information bit<sup>(2,3)</sup>  
In Slave mode:  
 1 = Read  
 0 = Write  
In Master mode:  
 1 = Transmit is in progress  
 0 = Transmit is not in progress
- bit 1      **UA:** Update Address bit (10-Bit Slave mode only)  
 1 = Indicates that the user needs to update the address in the SSPxADD register  
 0 = Address does not need to be updated
- bit 0      **BF:** Buffer Full Status bit  
In Transmit mode:  
 1 = SSPxBUF is full  
 0 = SSPxBUF is empty  
In Receive mode:  
 1 = SSPxBUF is full (does not include the  $\overline{\text{ACK}}$  and Stop bits)  
 0 = SSPxBUF is empty (does not include the  $\overline{\text{ACK}}$  and Stop bits)

- Note 1:** This bit is cleared on Reset and when SSPEN is cleared.
- 2:** This bit holds the R/W bit information following the last address match. This bit is only valid from the address match to the next Start bit, Stop bit or not ACK bit.
- 3:** ORing this bit with SEN, RSEN, PEN, RCEN or ACKEN will indicate if the MSSPx is in Active mode.

# PIC18F46J50 FAMILY

## REGISTER 19-6: SSPxCON1: MSSPx CONTROL REGISTER 1 (I<sup>2</sup>C™ MODE) (ACCESS FC6h, F72h)

| R/W-0 | R/C-0 | R/W-0                | R/W-0 | R/W-0                | R/W-0                | R/W-0                | R/W-0                |
|-------|-------|----------------------|-------|----------------------|----------------------|----------------------|----------------------|
| WCOL  | SSPOV | SSPEN <sup>(1)</sup> | CKP   | SSPM3 <sup>(2)</sup> | SSPM2 <sup>(2)</sup> | SSPM1 <sup>(2)</sup> | SSPM0 <sup>(2)</sup> |
| bit 7 |       |                      |       |                      |                      |                      | bit 0                |

|                   |                   |                                    |
|-------------------|-------------------|------------------------------------|
| <b>Legend:</b>    | C = Clearable bit | U = Unimplemented bit, read as '0' |
| R = Readable bit  | W = Writable bit  | '0' = Bit is cleared               |
| -n = Value at POR | '1' = Bit is set  | x = Bit is unknown                 |

- bit 7      **WCOL:** Write Collision Detect bit  
In Master Transmit mode:  
 1 = A write to the SSPxBUF register was attempted while the I<sup>2</sup>C conditions were not valid for a transmission to be started (must be cleared in software)  
 0 = No collision  
In Slave Transmit mode:  
 1 = The SSPxBUF register is written while it is still transmitting the previous word (must be cleared in software)  
 0 = No collision  
In Receive mode (Master or Slave modes):  
 This is a “don’t care” bit.
- bit 6      **SSPOV:** Receive Overflow Indicator bit  
In Receive mode:  
 1 = A byte is received while the SSPxBUF register is still holding the previous byte (must be cleared in software)  
 0 = No overflow  
In Transmit mode:  
 This is a “don’t care” bit in Transmit mode.
- bit 5      **SSPEN:** Master Synchronous Serial Port Enable bit<sup>(1)</sup>  
 1 = Enables the serial port and configures the SDAx and SCLx pins as the serial port pins  
 0 = Disables serial port and configures these pins as I/O port pins
- bit 4      **CKP:** SCKx Release Control bit  
In Slave mode:  
 1 = Releases clock  
 0 = Holds clock low (clock stretch); used to ensure data setup time  
In Master mode:  
 Unused in this mode.
- bit 3-0    **SSPM<3:0>:** Master Synchronous Serial Port Mode Select bits<sup>(2)</sup>  
 1111 = I<sup>2</sup>C Slave mode, 10-bit address with Start and Stop bit interrupts enabled  
 1110 = I<sup>2</sup>C Slave mode, 7-bit address with Start and Stop bit interrupts enabled  
 1011 = I<sup>2</sup>C Firmware Controlled Master mode (slave Idle)  
 1001 = Load SSPxMSK register at SSPxADD SFR address<sup>(3,4)</sup>  
 1000 = I<sup>2</sup>C Master mode, Clock = Fosc/(4 \* (SSPxADD + 1))  
 0111 = I<sup>2</sup>C Slave mode, 10-bit address  
 0110 = I<sup>2</sup>C Slave mode, 7-bit address

- Note 1:** When enabled, the SDAx and SCLx pins must be configured as inputs.  
**Note 2:** Bit combinations not specifically listed here are either reserved or implemented in SPI mode only.  
**Note 3:** When SSPM<3:0> = 1001, any reads or writes to the SSPxADD SFR address actually accesses the SSPxMSK register.  
**Note 4:** This mode is only available when 7-Bit Address Masking mode is selected (MSSPMSK Configuration bit is '1').

# PIC18F46J50 FAMILY

## REGISTER 19-7: SSPxCON2: MSSPx CONTROL REGISTER 2 (I<sup>2</sup>C™ MASTER MODE) (ACCESS FC5h, F71h)

|                     |         |                      |                      |                     |                    |                     |                    |
|---------------------|---------|----------------------|----------------------|---------------------|--------------------|---------------------|--------------------|
| R/W-0               | R-0     | R/W-0                | R/W-0                | R/W-0               | R/W-0              | R/W-0               | R/W-0              |
| GCEN <sup>(3)</sup> | ACKSTAT | ACKDT <sup>(1)</sup> | ACKEN <sup>(2)</sup> | RCEN <sup>(2)</sup> | PEN <sup>(2)</sup> | RSEN <sup>(2)</sup> | SEN <sup>(2)</sup> |
| bit 7               |         |                      |                      |                     |                    |                     | bit 0              |

### Legend:

|                   |                  |                                    |
|-------------------|------------------|------------------------------------|
| R = Readable bit  | W = Writable bit | U = Unimplemented bit, read as '0' |
| -n = Value at POR | '1' = Bit is set | '0' = Bit is cleared               |
|                   |                  | x = Bit is unknown                 |

- bit 7      **GCEN:** General Call Enable bit (Slave mode only)<sup>(3)</sup>  
 1 = Enable interrupt when a general call address (0000h) is received in the SSPxSR  
 0 = General call address is disabled
- bit 6      **ACKSTAT:** Acknowledge Status bit (Master Transmit mode only)  
 1 = Acknowledge was not received from slave  
 0 = Acknowledge was received from slave
- bit 5      **ACKDT:** Acknowledge Data bit (Master Receive mode only)<sup>(1)</sup>  
 1 = Not Acknowledged  
 0 = Acknowledge
- bit 4      **ACKEN:** Acknowledge Sequence Enable bit<sup>(2)</sup>  
 1 = Initiates Acknowledge sequence on SDAx and SCLx pins and transmits ACKDT data bit; automatically cleared by hardware  
 0 = Acknowledge sequence is Idle
- bit 3      **RCEN:** Receive Enable bit (Master Receive mode only)<sup>(2)</sup>  
 1 = Enables Receive mode for I<sup>2</sup>C  
 0 = Receive is Idle
- bit 2      **PEN:** Stop Condition Enable bit<sup>(2)</sup>  
 1 = Initiates Stop condition on SDAx and SCLx pins; automatically cleared by hardware  
 0 = Stop condition is Idle
- bit 1      **RSEN:** Repeated Start Condition Enable bit<sup>(2)</sup>  
 1 = Initiates Repeated Start condition on SDAx and SCLx pins; automatically cleared by hardware  
 0 = Repeated Start condition is Idle
- bit 0      **SEN:** Start Condition Enable bit<sup>(2)</sup>  
 1 = Initiates Start condition on SDAx and SCLx pins; automatically cleared by hardware  
 0 = Start condition is Idle

- Note 1:** Value that will be transmitted when the user initiates an Acknowledge sequence at the end of a receive.  
**2:** If the I<sup>2</sup>C module is active, these bits may not be set (no spooling) and the SSPxBUF may not be written (or writes to the SSPxBUF are disabled).  
**3:** This bit is not implemented in I<sup>2</sup>C Master mode.

# PIC18F46J50 FAMILY

## REGISTER 19-8: SSPxCON2: MSSPx CONTROL REGISTER 2 (I<sup>2</sup>C™ SLAVE MODE) (ACCESS FC5h, F71h)

|       |                        |        |        |        |        |        |                    |
|-------|------------------------|--------|--------|--------|--------|--------|--------------------|
| R/W-0 | R-0                    | R/W-0  | R/W-0  | R/W-0  | R/W-0  | R/W-0  | R/W-0              |
| GCEN  | ACKSTAT <sup>(2)</sup> | ADMSK5 | ADMSK4 | ADMSK3 | ADMSK2 | ADMSK1 | SEN <sup>(1)</sup> |
| bit 7 |                        |        |        |        |        |        | bit 0              |

### Legend:

R = Readable bit                      W = Writable bit                      U = Unimplemented bit, read as '0'  
 -n = Value at POR                      '1' = Bit is set                      '0' = Bit is cleared                      x = Bit is unknown

- bit 7            **GCEN:** General Call Enable bit (Slave mode only)  
 1 = Enables interrupt when a general call address (0000h) is received in the SSPxSR  
 0 = General call address is disabled
- bit 6            **ACKSTAT:** Acknowledge Status bit<sup>(2)</sup>  
 Unused in Slave mode.
- bit 5-2        **ADMSK<5:2>:** Slave Address Mask Select bits (5-Bit Address Masking)  
 1 = Masking of corresponding bits of SSPxADD is enabled  
 0 = Masking of corresponding bits of SSPxADD is disabled
- bit 1            **ADMSK1:** Slave Address Least Significant bit(s) Mask Select bit  
In 7-Bit Addressing mode:  
 1 = Masking of SSPxADD<1> only is enabled  
 0 = Masking of SSPxADD<1> only is disabled  
In 10-Bit Addressing mode:  
 1 = Masking of SSPxADD<1:0> is enabled  
 0 = Masking of SSPxADD<1:0> is disabled
- bit 0            **SEN:** Start Condition Enable/Stretch Enable bit<sup>(1)</sup>  
 1 = Clock stretching is enabled for both slave transmit and slave receive (stretch enabled)  
 0 = Clock stretching is disabled

- Note 1:** If the I<sup>2</sup>C module is active, these bits may not be set (no spooling) and the SSPxBUF may not be written (or writes to the SSPxBUF are disabled).
- 2:** This bit is unimplemented in I<sup>2</sup>C Slave mode.

## REGISTER 19-9: SSPxMSK: I<sup>2</sup>C™ SLAVE ADDRESS MASK REGISTER (7-BIT MASKING MODE) (ACCESS FC8h, F74h)<sup>(1)</sup>

|       |       |       |       |       |       |       |                     |
|-------|-------|-------|-------|-------|-------|-------|---------------------|
| R/W-1 | R/W-1 | R/W-1 | R/W-1 | R/W-1 | R/W-1 | R/W-1 | R/W-1               |
| MSK7  | MSK6  | MSK5  | MSK4  | MSK3  | MSK2  | MSK1  | MSK0 <sup>(2)</sup> |
| bit 7 |       |       |       |       |       |       | bit 0               |

### Legend:

R = Readable bit                      W = Writable bit                      U = Unimplemented bit, read as '0'  
 -n = Value at POR                      '1' = Bit is set                      '0' = Bit is cleared                      x = Bit is unknown

- bit 7-0        **MSK<7:0>:** Slave Address Mask Select bits  
 1 = Masking of corresponding bit of SSPxADD is enabled  
 0 = Masking of corresponding bit of SSPxADD is disabled

- Note 1:** This register shares the same SFR address as SSPxADD and is only addressable in select MSSP operating modes. See [Section 19.5.3.4 “7-Bit Address Masking Mode”](#) for more details.
- 2:** MSK0 is not used as a mask bit in 7-bit addressing.

## 19.5.2 OPERATION

The MSSP module functions are enabled by setting the MSSP Enable bit, SSPEN (SSPxCON1<5>).

The SSPxCON1 register allows control of the I<sup>2</sup>C operation. Four mode selection bits (SSPxCON1<3:0>) allow one of the following I<sup>2</sup>C modes to be selected:

- I<sup>2</sup>C Master mode, clock
- I<sup>2</sup>C Slave mode (7-bit address)
- I<sup>2</sup>C Slave mode (10-bit address)
- I<sup>2</sup>C Slave mode (7-bit address) with Start and Stop bit interrupts enabled
- I<sup>2</sup>C Slave mode (10-bit address) with Start and Stop bit interrupts enabled
- I<sup>2</sup>C Firmware Controlled Master mode, slave is Idle

Selection of any I<sup>2</sup>C mode with the SSPEN bit set forces the SCLx and SDAx pins to be open-drain, provided these pins are programmed as inputs by setting the appropriate TRISB or TRISD bits. To ensure proper operation of the module, pull-up resistors must be provided externally to the SCLx and SDAx pins.

## 19.5.3 SLAVE MODE

In Slave mode, the SCLx and SDAx pins must be configured as inputs (TRISB<5:4> set). The MSSP module will override the input state with the output data when required (slave-transmitter).

The I<sup>2</sup>C Slave mode hardware will always generate an interrupt on an address match. Address masking will allow the hardware to generate an interrupt for more than one address (up to 31 in 7-bit addressing and up to 63 in 10-bit addressing). Through the mode select bits, the user can also choose to interrupt on Start and Stop bits.

When an address is matched, or the data transfer after an address match is received, the hardware automatically will generate the Acknowledge (ACK) pulse and load the SSPxBUF register with the received value currently in the SSPxSR register.

Any combination of the following conditions will cause the MSSP module not to give this ACK pulse:

- The Buffer Full bit, BF (SSPxSTAT<0>), was set before the transfer was received.
- The overflow bit, SSPOV (SSPxCON1<6>), was set before the transfer was received.

In this case, the SSPxSR register value is not loaded into the SSPxBUF, but bit SSPxIF is set. The BF bit is cleared by reading the SSPxBUF register, while bit SSPOV is cleared through software.

The SCLx clock input must have a minimum high and low for proper operation. The high and low times of the I<sup>2</sup>C specification, as well as the requirement of the MSSP module, are shown in timing Parameter 100 and Parameter 101.

### 19.5.3.1 Addressing

Once the MSSP module has been enabled, it waits for a Start condition to occur. Following the Start condition, the 8 bits are shifted into the SSPxSR register. All incoming bits are sampled with the rising edge of the clock (SCLx) line. The value of register, SSPxSR<7:1>, is compared to the value of the SSPxADD register. The address is compared on the falling edge of the eighth clock (SCLx) pulse. If the addresses match and the BF and SSPOV bits are clear, the following events occur:

1. The SSPxSR register value is loaded into the SSPxBUF register.
2. The Buffer Full bit, BF, is set.
3. An ACK pulse is generated.
4. The MSSPx Interrupt Flag bit, SSPxIF, is set (and interrupt is generated, if enabled) on the falling edge of the ninth SCLx pulse.

In 10-Bit Addressing mode, two address bytes need to be received by the slave. The five Most Significant bits (MSBs) of the first address byte specify if this is a 10-bit address. Bit, R/W (SSPxSTAT<2>), must specify a write so the slave device will receive the second address byte. For a 10-bit address, the first byte would equal '11110 A9 A8 0', where 'A9' and 'A8' are the two MSBs of the address. The sequence of events for 10-bit addressing is as follows, with Steps 7 through 9 for the slave-transmitter:

1. Receive first (high) byte of address (bits, SSPxIF, BF and UA, are set on address match).
2. Update the SSPxADD register with second (low) byte of address (clears bit, UA, and releases the SCLx line).
3. Read the SSPxBUF register (clears bit, BF) and clear flag bit, SSPxIF.
4. Receive second (low) byte of address (bits, SSPxIF, BF and UA, are set).
5. Update the SSPxADD register with the first (high) byte of address. If match releases SCLx line, this will clear bit, UA.
6. Read the SSPxBUF register (clears bit, BF) and clear flag bit, SSPxIF.
7. Receive Repeated Start condition.
8. Receive first (high) byte of address (bits, SSPxIF and BF, are set).
9. Read the SSPxBUF register (clears bit, BF) and clear flag bit, SSPxIF.

# PIC18F46J50 FAMILY

## 19.5.3.2 Address Masking Modes

Masking an address bit causes that bit to become a “don’t care”. When one address bit is masked, two addresses will be Acknowledged and cause an interrupt. It is possible to mask more than one address bit at a time, which greatly expands the number of addresses Acknowledged.

The I<sup>2</sup>C slave behaves the same way, whether address masking is used or not. However, when address masking is used, the I<sup>2</sup>C slave can Acknowledge multiple addresses and cause interrupts. When this occurs, it is necessary to determine which address caused the interrupt by checking SSPxBUF.

The PIC18F46J50 family of devices is capable of using two different Address Masking modes in I<sup>2</sup>C slave operation: 5-Bit Address Masking and 7-Bit Address Masking. The Masking mode is selected at device configuration using the MSSPMSK Configuration bit. The default device configuration is 7-Bit Address Masking.

Both Masking modes, in turn, support address masking of 7-bit and 10-bit addresses. The combination of Masking modes and addresses provide different ranges of Acknowledgable addresses for each combination.

While both Masking modes function in roughly the same manner, the way they use address masks is different.

## 19.5.3.3 5-Bit Address Masking Mode

As the name implies, 5-Bit Address Masking mode uses an address mask of up to five bits to create a range of addresses to be Acknowledged, using bits, 5 through 1,

of the incoming address. This allows the module to Acknowledge up to 31 addresses when using 7-bit addressing, or 63 addresses with 10-bit addressing (see [Example 19-3](#)). This Masking mode is selected when the MSSPMSK Configuration bit is programmed ('0').

The address mask in this mode is stored in the SSPxCON2 register, which stops functioning as a control register in I<sup>2</sup>C Slave mode ([Register 19-8](#)). In 7-Bit Address Masking mode, address mask bits, ADMSK<5:1> (SSPxCON2<5:1>), mask the corresponding address bits in the SSPxADD register. For any ADMSK bits that are set (ADMSK<n> = 1), the corresponding address bit is ignored (SSPxADD<n> = x). For the module to issue an address Acknowledge, it is sufficient to match only on addresses that do not have an active address mask.

In 10-Bit Address Masking mode, bits, ADMSK<5:2>, mask the corresponding address bits in the SSPxADD register. In addition, ADMSK1 simultaneously masks the two LSBs of the address (SSPxADD<1:0>). For any ADMSK bits that are active (ADMSK<n> = 1), the corresponding address bit is ignored (SPxADD<n> = x). Also note, that although in 10-Bit Address Masking mode, the upper address bits reuse part of the SSPxADD register bits. The address mask bits do not interact with those bits; they only affect the lower address bits.

**Note 1:** ADMSK1 masks the two Least Significant bits of the address.

**2:** The two MSBs of the address are not affected by address masking.

## EXAMPLE 19-3: ADDRESS MASKING EXAMPLES IN 5-BIT MASKING MODE

### 7-Bit Addressing:

SSPxADD<7:1> = A0h (1010000) (SSPxADD<0> is assumed to be '0'.)

ADMSK<5:1> = 00111

Addresses Acknowledged: A0h, A2h, A4h, A6h, A8h, AAh, ACh, AEh

### 10-Bit Addressing:

SSPxADD<7:0> = A0h (10100000) (The two MSBs of the address are ignored in this example, since they are not affected by masking.)

ADMSK<5:1> = 00111

Addresses Acknowledged: A0h, A1h, A2h, A3h, A4h, A5h, A6h, A7h, A8h, A9h, AAh, ABh, ACh, ADh, AEh, AFh

## 19.5.3.4 7-Bit Address Masking Mode

Unlike 5-Bit Address Masking mode, 7-Bit Address Masking mode uses a mask of up to eight bits (in 10-bit addressing) to define a range of addresses than can be Acknowledged, using the lowest bits of the incoming address. This allows the module to Acknowledge up to 127 different addresses with 7-bit addressing, or 255 with 10-bit addressing (see [Example 19-4](#)). This mode is the default configuration of the module, and is selected when MSSPMASK is unprogrammed ('1').

The address mask for 7-Bit Address Masking mode is stored in the SSPxMSK register, instead of the SSPxCON2 register. SSPxMSK is a separate hardware register within the module, but it is not directly addressable. Instead, it shares an address in the SFR space with the SSPxADD register. To access the SSPxMSK register, it is necessary to select MSSP mode, '1001' (SSPCON1<3:0> = 1001), and then read or write to the location of SSPxADD.

To use 7-Bit Address Masking mode, it is necessary to initialize SSPxMSK with a value before selecting the I<sup>2</sup>C Slave Addressing mode. Thus, the required sequence of events is:

1. Select SSPxMSK Access mode (SSPxCON2<3:0> = 1001).
2. Write the mask value to the appropriate SSPxADD register address (FC8h for MSSP1, F6Eh for MSSP2).
3. Set the appropriate I<sup>2</sup>C Slave mode (SSPxCON2<3:0> = 0111 for 10-bit addressing, 0110 for 7-bit addressing).

Setting or clearing mask bits in SSPxMSK behaves in the opposite manner of the ADMSK bits in 5-Bit Address Masking mode. That is, clearing a bit in SSPxMSK causes the corresponding address bit to be masked; setting the bit requires a match in that position. SSPxMSK resets to all '1's upon any Reset condition, and therefore, has no effect on the standard MSSP operation until written with a mask value.

With 7-Bit Address Masking mode, SSPxMSK<7:1> bits mask the corresponding address bits in the SSPxADD register. For any SSPxMSK bits that are active (SSPxMSK<n> = 0), the corresponding SSPxADD address bit is ignored (SSPxADD<n> = x). For the module to issue an address Acknowledge, it is sufficient to match only on addresses that do not have an active address mask.

With 10-Bit Address Masking mode, SSPxMSK<7:0> bits mask the corresponding address bits in the SSPxADD register. For any SSPxMSK bits that are active (= 0), the corresponding SSPxADD address bit is ignored (SSPxADD<n> = x).

**Note:** The two MSBs of the address are not affected by address masking.

### EXAMPLE 19-4: ADDRESS MASKING EXAMPLES IN 7-BIT MASKING MODE

#### 7-Bit Addressing:

SSPxADD<7:1> = 1010 000

SSPxMSK<7:1> = 1111 001

Addresses Acknowledged = ACh, A8h, A4h, A0h

#### 10-Bit Addressing:

SSPxADD<7:0> = 1010 0000 (The two MSBs are ignored in this example since they are not affected.)

SSPxMSK<7:0> = 1111 0011

Addresses Acknowledged = ACh, A8h, A4h, A0h

# PIC18F46J50 FAMILY

---

## 19.5.3.5 Reception

When the  $\overline{R/W}$  bit of the address byte is clear and an address match occurs, the  $\overline{R/W}$  bit of the SSPxSTAT register is cleared. The received address is loaded into the SSPxBUF register and the SDAx line is held low ( $\overline{ACK}$ ).

When the address byte overflow condition exists, then the no Acknowledge ( $\overline{ACK}$ ) pulse is given. An overflow condition is defined as either bit, BF (SSPxSTAT<0>), is set or bit, SSPOV (SSPxCON1<6>), is set.

An MSSP interrupt is generated for each data transfer byte. The interrupt flag bit, SSPxIF, must be cleared in software. The SSPxSTAT register is used to determine the status of the byte.

If SEN is enabled (SSPxCON2<0> = 1), SCLx will be held low (clock stretch) following each data transfer. The clock must be released by setting bit, CKP (SSPxCON1<4>). See [Section 19.5.4 “Clock Stretching”](#) for more details.

## 19.5.3.6 Transmission

When the  $\overline{R/W}$  bit of the incoming address byte is set and an address match occurs, the  $\overline{R/W}$  bit of the SSPxSTAT register is set. The received address is loaded into the SSPxBUF register. The  $\overline{ACK}$  pulse will be sent on the ninth bit and pin SCLx is held low regardless of SEN (see [Section 19.5.4 “Clock Stretching”](#) for more details). By stretching the clock, the master will be unable to assert another clock pulse until the slave is done preparing the transmit data. The transmit data must be loaded into the SSPxBUF register, which also loads the SSPxSR register. Then, the SCLx pin should be enabled by setting bit, CKP (SSPxCON1<4>). The eight data bits are shifted out on the falling edge of the SCLx input. This ensures that the SDAx signal is valid during the SCLx high time ([Figure 19-10](#)).

The  $\overline{ACK}$  pulse from the master-receiver is latched on the rising edge of the ninth SCLx input pulse. If the SDAx line is high (not  $\overline{ACK}$ ), then the data transfer is complete. In this case, when the  $\overline{ACK}$  is latched by the slave, the slave monitors for another occurrence of the Start bit. If the SDAx line was low ( $\overline{ACK}$ ), the next transmit data must be loaded into the SSPxBUF register. Again, the SCLx pin must be enabled by setting bit, CKP.

An MSSP interrupt is generated for each data transfer byte. The SSPxIF bit must be cleared in software and the SSPxSTAT register is used to determine the status of the byte. The SSPxIF bit is set on the falling edge of the ninth clock pulse.



**FIGURE 19-8: I<sup>2</sup>C™ SLAVE MODE TIMING WITH SEN = 0 (RECEPTION, 7-BIT ADDRESS)**



# PIC18F46J50 FAMILY

**FIGURE 19-9: I<sup>2</sup>C™ SLAVE MODE TIMING WITH SEN = 0 AND ADMSK<5:1> = 01011 (RECEPTION, 7-BIT ADDRESS)**

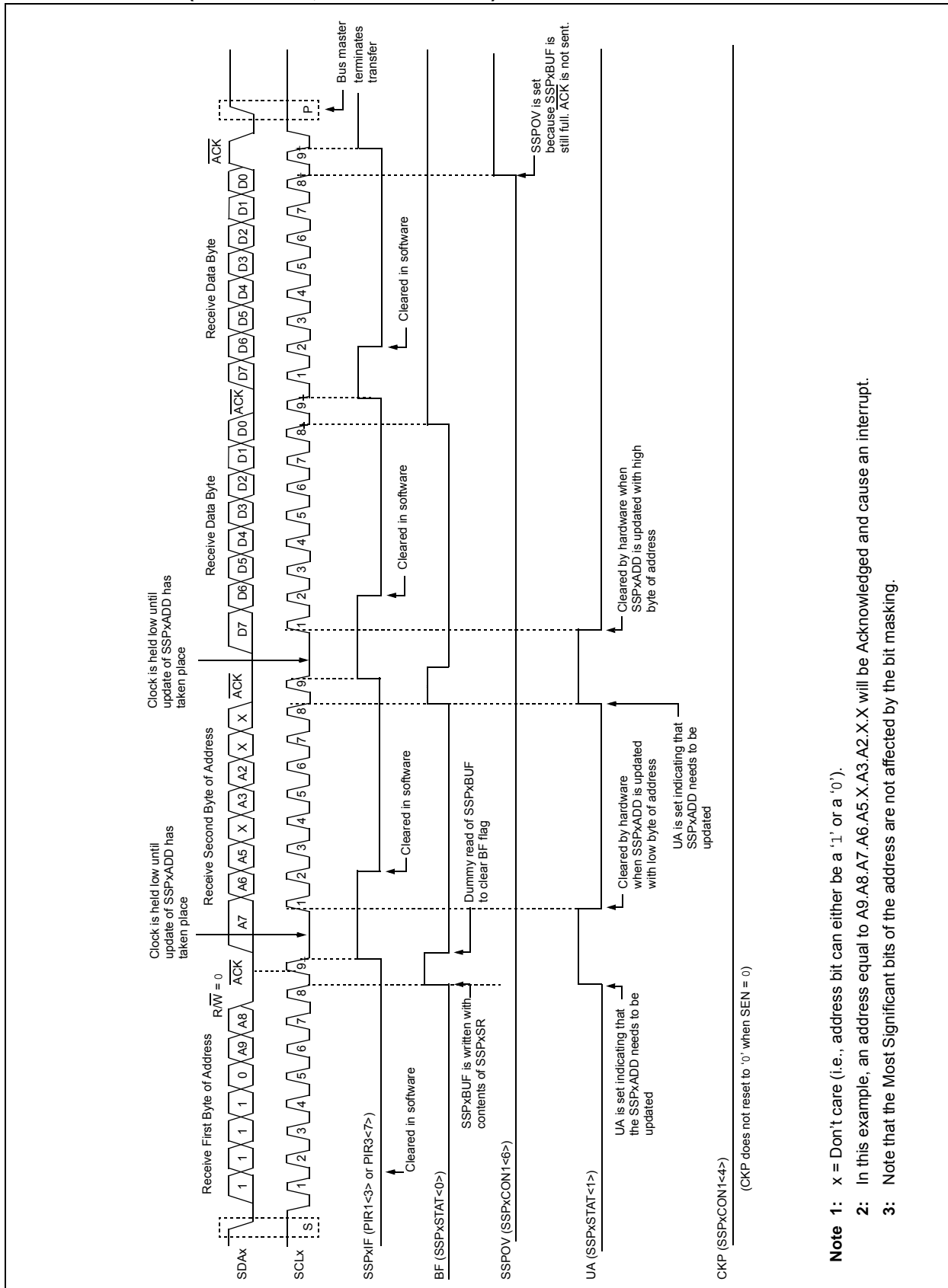


**FIGURE 19-10: I<sup>2</sup>C™ SLAVE MODE TIMING (TRANSMISSION, 7-BIT ADDRESS)**



# PIC18F46J50 FAMILY

FIGURE 19-11: I<sup>2</sup>C™ SLAVE MODE TIMING WITH SEN = 0 AND ADMSK<5:1> = 01001 (RECEPTION, 10-BIT ADDRESS)



- Note 1:** x = Don't care (i.e., address bit can either be a '1' or a '0').
- 2:** In this example, an address equal to A9.A8.A7.A6.A5.X.A3.A2.X.X will be Acknowledged and cause an interrupt.
- 3:** Note that the Most Significant bits of the address are not affected by the bit masking.

FIGURE 19-12: I<sup>2</sup>C™ SLAVE MODE TIMING WITH SEN = 0 (RECEPTION, 10-BIT ADDRESS)



# PIC18F46J50 FAMILY

FIGURE 19-13: I<sup>2</sup>C™ SLAVE MODE TIMING (TRANSMISSION, 10-BIT ADDRESS)



## 19.5.4 CLOCK STRETCHING

Both 7-Bit and 10-Bit Slave modes implement automatic clock stretching during a transmit sequence.

The SEN bit (SSPxCON2<0>) allows clock stretching to be enabled during receives. Setting SEN will cause the SCLx pin to be held low at the end of each data receive sequence.

### 19.5.4.1 Clock Stretching for 7-Bit Slave Receive Mode (SEN = 1)

In 7-Bit Slave Receive mode, on the falling edge of the ninth clock at the end of the ACK sequence, if the BF bit is set, the CKP bit in the SSPxCON1 register is automatically cleared, forcing the SCLx output to be held low. The CKP bit being cleared to '0' will assert the SCLx line low. The CKP bit must be set in the user's ISR before reception is allowed to continue. By holding the SCLx line low, the user has time to service the ISR and read the contents of the SSPxBUF before the master device can initiate another receive sequence. This will prevent buffer overruns from occurring (see [Figure 19-15](#)).

**Note 1:** If the user reads the contents of the SSPxBUF before the falling edge of the ninth clock, thus clearing the BF bit, the CKP bit will not be cleared and clock stretching will not occur.

**2:** The CKP bit can be set in software regardless of the state of the BF bit. The user should be careful to clear the BF bit in the ISR before the next receive sequence in order to prevent an overflow condition.

### 19.5.4.2 Clock Stretching for 10-Bit Slave Receive Mode (SEN = 1)

In 10-Bit Slave Receive mode, during the address sequence, clock stretching automatically takes place but CKP is not cleared. During this time, if the UA bit is set after the ninth clock, clock stretching is initiated. The UA bit is set after receiving the upper byte of the 10-bit address and following the receive of the second byte of the 10-bit address, with the R/W bit cleared to '0'. The release of the clock line occurs upon updating SSPxADD. Clock stretching will occur on each data receive sequence as described in 7-bit mode.

**Note:** If the user polls the UA bit and clears it by updating the SSPxADD register before the falling edge of the ninth clock occurs, and if the user has not cleared the BF bit by reading the SSPxBUF register before that time, then the CKP bit will still NOT be asserted low. Clock stretching on the basis of the state of the BF bit only occurs during a data sequence, not an address sequence.

### 19.5.4.3 Clock Stretching for 7-Bit Slave Transmit Mode

The 7-Bit Slave Transmit mode implements clock stretching by clearing the CKP bit after the falling edge of the ninth clock if the BF bit is clear. This occurs regardless of the state of the SEN bit.

The user's Interrupt Service Routine (ISR) must set the CKP bit before transmission is allowed to continue. By holding the SCLx line low, the user has time to service the ISR and load the contents of the SSPxBUF before the master device can initiate another transmit sequence (see [Figure 19-10](#)).

**Note 1:** If the user loads the contents of SSPxBUF, setting the BF bit before the falling edge of the ninth clock, the CKP bit will not be cleared and clock stretching will not occur.

**2:** The CKP bit can be set in software regardless of the state of the BF bit.

### 19.5.4.4 Clock Stretching for 10-Bit Slave Transmit Mode

In 10-Bit Slave Transmit mode, clock stretching is controlled during the first two address sequences by the state of the UA bit, just as it is in 10-Bit Slave Receive mode. The first two addresses are followed by a third address sequence, which contains the high-order bits of the 10-bit address and the R/W bit set to '1'. After the third address sequence is performed, the UA bit is not set, the module is now configured in Transmit mode and clock stretching is controlled by the BF flag, as in 7-Bit Slave Transmit mode (see [Figure 19-13](#)).

# PIC18F46J50 FAMILY

## 19.5.4.5 Clock Synchronization and CKP bit

When the CKP bit is cleared, the SCLx output is forced to '0'. However, clearing the CKP bit will not assert the SCLx output low until the SCLx output is already sampled low. Therefore, the CKP bit will not assert the SCLx line until an external I<sup>2</sup>C master device has

already asserted the SCLx line. The SCLx output will remain low until the CKP bit is set and all other devices on the I<sup>2</sup>C bus have deasserted SCLx. This ensures that a write to the CKP bit will not violate the minimum high time requirement for SCLx (see [Figure 19-14](#)).

**FIGURE 19-14: CLOCK SYNCHRONIZATION TIMING**





**FIGURE 19-15: I<sup>2</sup>C™ SLAVE MODE TIMING WITH SEN = 1 (RECEPTION, 7-BIT ADDRESS)**



# PIC18F46J50 FAMILY

FIGURE 19-16: I<sup>2</sup>C™ SLAVE MODE TIMING WITH SEN = 1 (RECEPTION, 10-BIT ADDRESS)



# PIC18F46J50 FAMILY

## 19.5.5 GENERAL CALL ADDRESS SUPPORT

The addressing procedure for the I<sup>2</sup>C bus is such that the first byte after the Start condition usually determines which device will be the slave addressed by the master. The exception is the general call address which can address all devices. When this address is used, all devices should, in theory, respond with an Acknowledge.

The general call address is one of eight addresses reserved for specific purposes by the I<sup>2</sup>C protocol. It consists of all '0's with R/W = 0.

The general call address is recognized when the General Call Enable bit, GCEN, is enabled (SSPxCON2<7> is set). Following a Start bit detect, 8 bits are shifted into the SSPxSR and the address is compared against the SSPxADD. It is also compared to the general call address and fixed in hardware.

If the general call address matches, the SSPxSR is transferred to the SSPxBUF, the BF flag bit is set (eighth bit), and on the falling edge of the ninth bit ( $\overline{ACK}$  bit), the SSPxIF interrupt flag bit is set.

When the interrupt is serviced, the source for the interrupt can be checked by reading the contents of the SSPxBUF. The value can be used to determine if the address was device-specific or a general call address.

In 10-bit mode, the SSPxADD is required to be updated for the second half of the address to match and the UA bit is set (SSPxSTAT<1>). If the general call address is sampled when the GCEN bit is set, while the slave is configured in 10-Bit Addressing mode, then the second half of the address is not necessary, the UA bit will not be set and the slave will begin receiving data after the Acknowledge (Figure 19-17).

**FIGURE 19-17: SLAVE MODE GENERAL CALL ADDRESS SEQUENCE (7-BIT OR 10-BIT ADDRESSING MODE)**



# PIC18F46J50 FAMILY

## 19.5.6 MASTER MODE

Master mode is enabled by setting and clearing the appropriate SSPM bits in SSPxCON1 and by setting the SSPEN bit. In Master mode, the SCLx and SDAx lines are manipulated by the MSSP hardware if the TRIS bits are set.

Master mode of operation is supported by interrupt generation on the detection of the Start and Stop conditions. The Start (S) and Stop (P) bits are cleared from a Reset or when the MSSP module is disabled. Control of the I<sup>2</sup>C bus may be taken when the Stop bit is set, or the bus is Idle, with both the Start and Stop bits clear.

In Firmware Controlled Master mode, user code conducts all I<sup>2</sup>C bus operations based on Start and Stop bit conditions.

Once Master mode is enabled, the user has six options.

1. Assert a Start condition on SDAx and SCLx.
2. Assert a Repeated Start condition on SDAx and SCLx.
3. Write to the SSPxBUF register initiating transmission of data/address.
4. Configure the I<sup>2</sup>C port to receive data.
5. Generate an Acknowledge condition at the end of a received byte of data.
6. Generate a Stop condition on SDAx and SCLx.

**Note:** The MSSP module, when configured in I<sup>2</sup>C Master mode, does not allow queuing of events. For instance, the user is not allowed to initiate a Start condition and immediately write the SSPxBUF register to initiate transmission before the Start condition is complete. In this case, the SSPxBUF will not be written to and the WCOL bit will be set, indicating that a write to the SSPxBUF did not occur.

The following events will cause the MSSP Interrupt Flag bit, SSPxIF, to be set (and MSSP interrupt, if enabled):

- Start condition
- Stop condition
- Data transfer byte transmitted/received
- Acknowledge transmitted
- Repeated Start

**FIGURE 19-18: MSSPx BLOCK DIAGRAM (I<sup>2</sup>C™ MASTER MODE)**



## 19.5.6.1 I<sup>2</sup>C Master Mode Operation

The master device generates all of the serial clock pulses and the Start and Stop conditions. A transfer is ended with a Stop condition or with a Repeated Start condition. Since the Repeated Start condition is also the beginning of the next serial transfer, the I<sup>2</sup>C bus will not be released.

In Master Transmitter mode, serial data is output through SDAx while SCLx outputs the serial clock. The first byte transmitted contains the slave address of the receiving device (7 bits) and the Read/Write (R/W) bit. In this case, the R/W bit will be logic '0'. Serial data is transmitted 8 bits at a time. After each byte is transmitted, an Acknowledge bit is received. S and P conditions are output to indicate the beginning and the end of a serial transfer.

In Master Receive mode, the first byte transmitted contains the slave address of the transmitting device (7 bits) and the R/W bit. In this case, the R/W bit will be logic '1'. Thus, the first byte transmitted is a 7-bit slave address, followed by a '1' to indicate the receive bit. Serial data is received via SDAx, while SCLx outputs the serial clock. Serial data is received 8 bits at a time. After each byte is received, an Acknowledge bit is transmitted. S and P conditions indicate the beginning and end of transmission.

The BRG, used for the SPI mode operation, is used to set the SCLx clock frequency for either 100 kHz, 400 kHz or 1 MHz I<sup>2</sup>C operation. See [Section 19.5.7 "Baud Rate"](#) for more details.

A typical transmit sequence would go as follows:

1. The user generates a Start condition by setting the Start Enable bit, SEN (SSPxCON2<0>).
2. SSPxIF is set. The MSSP module will wait for the required start time before any other operation takes place.
3. The user loads the SSPxBUF with the slave address to transmit.
4. Address is shifted out of the SDAx pin until all 8 bits are transmitted.
5. The MSSP module shifts in the ACK bit from the slave device and writes its value into the SSPxCON2 register (SSPxCON2<6>).
6. The MSSP module generates an interrupt at the end of the ninth clock cycle by setting the SSPxIF bit.
7. The user loads the SSPxBUF with 8 bits of data.
8. Data is shifted out the SDAx pin until all 8 bits are transmitted.
9. The MSSP module shifts in the ACK bit from the slave device and writes its value into the SSPxCON2 register (SSPxCON2<6>).
10. The MSSP module generates an interrupt at the end of the ninth clock cycle by setting the SSPxIF bit.
11. The user generates a Stop condition by setting the Stop Enable bit, PEN (SSPxCON2<2>).
12. Interrupt is generated once the Stop condition is complete.

## 19.5.7 BAUD RATE

In I<sup>2</sup>C Master mode, the BRG reload value is placed in the lower seven bits of the SSPxADD register ([Figure 19-19](#)). When a write occurs to SSPxBUF, the Baud Rate Generator will automatically begin counting. The BRG counts down to 0 and stops until another reload has taken place. The BRG count is decremented, twice per instruction cycle (Tcy), on the Q2 and Q4 clocks. In I<sup>2</sup>C Master mode, the BRG is reloaded automatically.

Once the given operation is complete (i.e., transmission of the last data bit is followed by  $\overline{\text{ACK}}$ ), the internal clock will automatically stop counting and the SCLx pin will remain in its last state.

[Table 19-3](#) demonstrates clock rates based on instruction cycles and the BRG value loaded into SSPxADD. The SSPxADD value of '0x00' is not supported; values  $\geq 0x01$  should be used instead.

# PIC18F46J50 FAMILY

## 19.5.7.1 Baud Rate and Module Interdependence

Because MSSP1 and MSSP2 are independent, they can operate simultaneously in I<sup>2</sup>C Master mode at different baud rates. This is done by using different BRG reload values for each module.

Because this mode derives its basic clock source from the system clock, any changes to the clock will affect both modules in the same proportion. It may be possible to change one or both baud rates back to a previous value by changing the BRG reload value.

**FIGURE 19-19: BAUD RATE GENERATOR BLOCK DIAGRAM**



**TABLE 19-3: I<sup>2</sup>C™ CLOCK RATE w/BRG**

| Fosc   | Fcy    | Fcy * 2 | BRG Value | Fscl<br>(2 Rollovers of BRG) |
|--------|--------|---------|-----------|------------------------------|
| 48 MHz | 12 MHz | 24 MHz  | 77h       | 100 kHz                      |
| 40 MHz | 10 MHz | 20 MHz  | 18h       | 400 kHz <sup>(1)</sup>       |
| 40 MHz | 10 MHz | 20 MHz  | 63h       | 100 kHz                      |
| 16 MHz | 4 MHz  | 8 MHz   | 03h       | 1 MHz <sup>(1)</sup>         |
| 16 MHz | 4 MHz  | 8 MHz   | 09h       | 400 kHz <sup>(1)</sup>       |
| 16 MHz | 4 MHz  | 8 MHz   | 0Ch       | 308 kHz                      |
| 16 MHz | 4 MHz  | 8 MHz   | 27h       | 100 kHz                      |
| 4 MHz  | 1 MHz  | 2 MHz   | 02h       | 333 kHz <sup>(1)</sup>       |
| 4 MHz  | 1 MHz  | 2 MHz   | 09h       | 100 kHz                      |

**Note 1:** The I<sup>2</sup>C interface does not conform to the 400 kHz I<sup>2</sup>C specification (which applies to rates greater than 100 kHz) in all details, but may be used with care where higher rates are required by the application.

## 19.5.7.2 Clock Arbitration

Clock arbitration occurs when the master, during any receive, transmit or Repeated Start/Stop condition, deasserts the SCLx pin (SCLx allowed to float high). When the SCLx pin is allowed to float high, the BRG is suspended from counting until the SCLx pin is actually

sampled high. When the SCLx pin is sampled high, the BRG is reloaded with the contents of SSPxADD<6:0> and begins counting. This ensures that the SCLx high time will always be at least one BRG rollover count in the event that the clock is held low by an external device (Figure 19-20).

**FIGURE 19-20: BAUD RATE GENERATOR TIMING WITH CLOCK ARBITRATION**



## 19.5.8 I<sup>2</sup>C MASTER MODE START CONDITION TIMING

To initiate a Start condition, the user sets the Start Enable bit, SEN (SSPxCON2<0>). If the SDAx and SCLx pins are sampled high, the BRG is reloaded with the contents of SSPxADD<6:0> and starts its count. If SCLx and SDAx are both sampled high, when the Baud Rate Generator times out (TBRG), the SDAx pin is driven low. The action of the SDAx being driven low while SCLx is high is the Start condition and causes the Start bit (SSPxSTAT<3>) to be set. Following this, the BRG is reloaded with the contents of SSPxADD<6:0> and resumes its count. When the BRG times out (TBRG), the SEN bit (SSPxCON2<0>) will be automatically cleared by hardware. The BRG is suspended, leaving the SDAx line held low and the Start condition is complete.

**Note:** If, at the beginning of the Start condition, the SDAx and SCLx pins are already sampled low, or if during the Start condition, the SCLx line is sampled low before the SDAx line is driven low, a bus collision occurs, the Bus Collision Interrupt Flag, BCLxIF, is set, the Start condition is aborted and the I<sup>2</sup>C module is reset into its Idle state.

### 19.5.8.1 WCOL Status Flag

If the user writes the SSPxBUF when a Start sequence is in progress, the WCOL bit is set and the contents of the buffer are unchanged (the write does not occur).

**Note:** Because queueing of events is not allowed, writing to the lower five bits of SSPxCON2 is disabled until the Start condition is complete.

**FIGURE 19-21: FIRST START BIT TIMING**



# PIC18F46J50 FAMILY

## 19.5.9 I<sup>2</sup>C MASTER MODE REPEATED START CONDITION TIMING

A Repeated Start condition occurs when the RSEN bit (SSPxCON2<1>) is programmed high and the I<sup>2</sup>C logic module is in the Idle state. When the RSEN bit is set, the SCLx pin is asserted low. When the SCLx pin is sampled low, the BRG is loaded with the contents of SSPxADD<5:0> and begins counting. The SDAx pin is released (brought high) for one BRG count (TBRG). When the BRG times out, and if SDAx is sampled high, the SCLx pin will be deasserted (brought high). When SCLx is sampled high, the BRG is reloaded with the contents of SSPxADD<6:0> and begins counting. SDAx and SCLx must be sampled high for one TBRG. This action is then followed by assertion of the SDAx pin (SDAx = 0) for one TBRG while SCLx is high. Following this, the RSEN bit (SSPxCON2<1>) will be automatically cleared and the BRG will not be reloaded, leaving the SDAx pin held low. As soon as a Start condition is detected on the SDAx and SCLx pins, the Start bit (SSPxSTAT<3>) will be set. The SSPxIF bit will not be set until the BRG has timed out.

**Note 1:** If RSEN is programmed while any other event is in progress, it will not take effect.

**2:** A bus collision during the Repeated Start condition occurs if:

- SDAx is sampled low when SCLx goes from low-to-high.
- SCLx goes low before SDAx is asserted low. This may indicate that another master is attempting to transmit a data '1'.

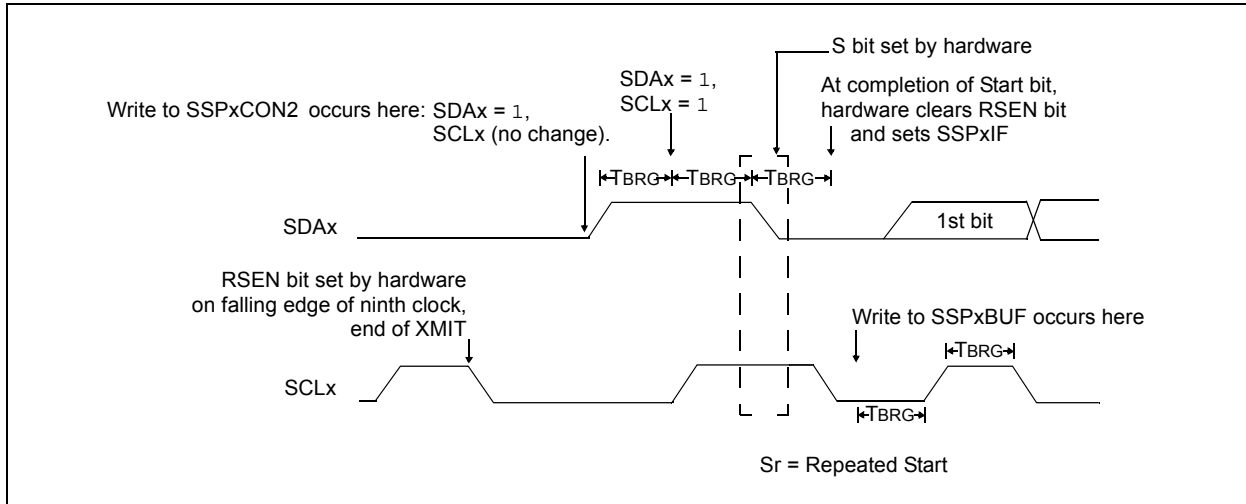
Immediately following the SSPxIF bit getting set, the user may write the SSPxBUF with the 7-bit address in 7-bit mode, or the default first address in 10-bit mode. After the first eight bits are transmitted and an ACK is received, the user may then transmit an additional 8 bits of address (10-bit mode) or 8 bits of data (7-bit mode).

### 19.5.9.1 WCOL Status Flag

If the user writes the SSPxBUF when a Repeated Start sequence is in progress, the WCOL is set and the contents of the buffer are unchanged (the write does not occur).

**Note:** Because queueing of events is not allowed, writing of the lower five bits of SSPxCON2 is disabled until the Repeated Start condition is complete.

**FIGURE 19-22: REPEATED START CONDITION WAVEFORM**





## 19.5.10 I<sup>2</sup>C MASTER MODE TRANSMISSION

Transmission of a data byte, a 7-bit address or the other half of a 10-bit address, is accomplished by simply writing a value to the SSPxBUF register. This action will set the Buffer Full flag bit, BF, and allow the BRG to begin counting and start the next transmission. Each bit of address/data will be shifted out onto the SDAx pin after the falling edge of SCLx is asserted (see data hold time specification Parameter 106). SCLx is held low for one BRG rollover count (TBRG). Data should be valid before SCLx is released high (see data setup time specification Parameter 107). When the SCLx pin is released high, it is held that way for TBRG.

The data on the SDAx pin must remain stable for that duration and some hold time after the next falling edge of SCLx. After the eighth bit is shifted out (the falling edge of the eighth clock), the BF flag is cleared and the master releases SDAx. This allows the slave device being addressed to respond with an  $\overline{\text{ACK}}$  bit during the ninth bit time if an address match occurred, or if data was received properly. The status of  $\overline{\text{ACK}}$  is written into the ACKDT bit on the falling edge of the ninth clock.

If the master receives an Acknowledge, the Acknowledge Status bit, ACKSTAT, is cleared; if not, the bit is set. After the ninth clock, the SSPxIF bit is set and the master clock (BRG) is suspended until the next data byte is loaded into the SSPxBUF, leaving SCLx low and SDAx unchanged (Figure 19-23).

After the write to the SSPxBUF, each bit of the address will be shifted out on the falling edge of SCLx until all seven address bits and the R/W bit are completed. On the falling edge of the eighth clock, the master will deassert the SDAx pin, allowing the slave to respond with an Acknowledge. On the falling edge of the ninth clock, the master will sample the SDAx pin to see if the address was recognized by a slave. The status of the  $\overline{\text{ACK}}$  bit is loaded into the ACKSTAT status bit (SSPxCON2<6>). Following the falling edge of the ninth clock transmission of the address, the SSPxIF flag is set, the BF flag is cleared and the BRG is turned off until another write to the SSPxBUF takes place, holding SCLx low and allowing SDAx to float.

### 19.5.10.1 BF Status Flag

In Transmit mode, the BF bit (SSPxSTAT<0>) is set when the CPU writes to SSPxBUF and is cleared when all eight bits are shifted out.

### 19.5.10.2 WCOL Status Flag

If the user writes the SSPxBUF when a transmit is already in progress (i.e., SSPxSR is still shifting out a data byte), the WCOL bit is set and the contents of the buffer are unchanged (the write does not occur) after 2 Tcy after the SSPxBUF write. If SSPxBUF is rewritten within 2 Tcy, the WCOL bit is set and SSPxBUF is updated. This may result in a corrupted transfer.

The user should verify that the WCOL bit is clear after each write to SSPxBUF to ensure the transfer is correct. In all cases, WCOL must be cleared in software.

### 19.5.10.3 ACKSTAT Status Flag

In Transmit mode, the ACKSTAT bit (SSPxCON2<6>) is cleared when the slave has sent an Acknowledge ( $\overline{\text{ACK}} = 0$ ) and is set when the slave does not Acknowledge ( $\overline{\text{ACK}} = 1$ ). A slave sends an Acknowledge when it has recognized its address (including a general call), or when the slave has properly received its data.

## 19.5.11 I<sup>2</sup>C MASTER MODE RECEPTION

Master mode reception is enabled by programming the Receive Enable bit, RCEN (SSPxCON2<3>).

**Note:** The MSSP module must be in an inactive state before the RCEN bit is set or the RCEN bit will be disregarded.

The BRG begins counting and on each rollover, the state of the SCLx pin changes (high-to-low/low-to-high) and data is shifted into the SSPxSR. After the falling edge of the eighth clock, the receive enable flag is automatically cleared, the contents of the SSPxSR are loaded into the SSPxBUF, the BF flag bit is set, the SSPxIF flag bit is set and the BRG is suspended from counting, holding SCLx low. The MSSP is now in Idle state awaiting the next command. When the buffer is read by the CPU, the BF flag bit is automatically cleared. The user can then send an Acknowledge bit at the end of reception by setting the Acknowledge Sequence Enable bit, ACKEN (SSPxCON2<4>).

### 19.5.11.1 BF Status Flag

In receive operation, the BF bit is set when an address or data byte is loaded into SSPxBUF from SSPxSR. It is cleared when the SSPxBUF register is read.

### 19.5.11.2 SSPOV Status Flag

In receive operation, the SSPOV bit is set when 8 bits are received into the SSPxSR and the BF flag bit is already set from a previous reception.

### 19.5.11.3 WCOL Status Flag

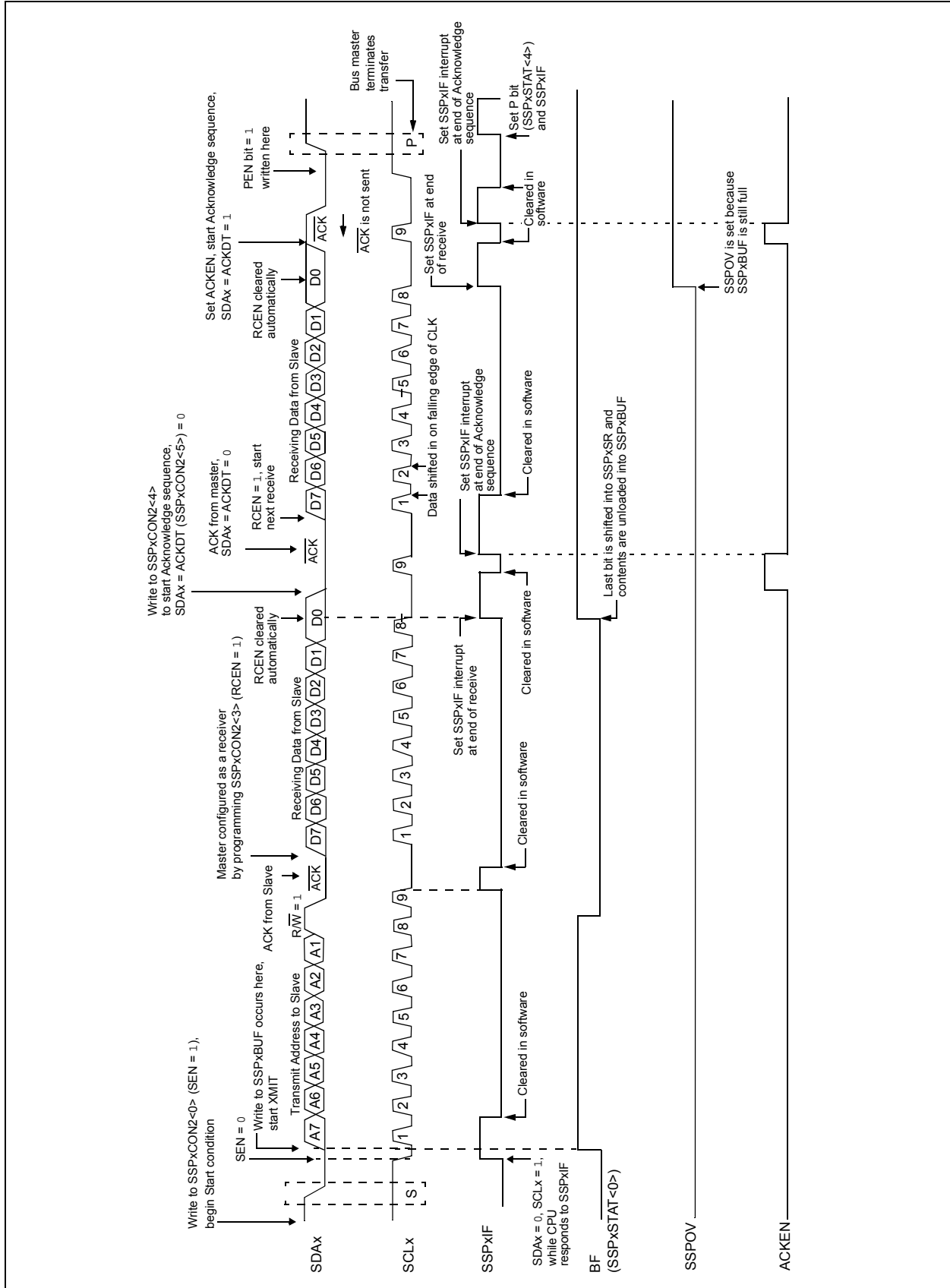
If users write the SSPxBUF when a receive is already in progress (i.e., SSPxSR is still shifting in a data byte), the WCOL bit is set and the contents of the buffer are unchanged (the write does not occur).

# PIC18F46J50 FAMILY

FIGURE 19-23: I<sup>2</sup>C™ MASTER MODE WAVEFORM (TRANSMISSION, 7-BIT OR 10-BIT ADDRESS)



FIGURE 19-24: I<sup>2</sup>C™ MASTER MODE WAVEFORM (RECEPTION, 7-BIT ADDRESS)



# PIC18F46J50 FAMILY

## 19.5.12 ACKNOWLEDGE SEQUENCE TIMING

An Acknowledge sequence is enabled by setting the Acknowledge Sequence Enable bit, ACKEN (SSPxCON2<4>). When this bit is set, the SCLx pin is pulled low and the contents of the Acknowledge data bit are presented on the SDAx pin. If the user wishes to generate an Acknowledge, then the ACKDT bit should be cleared. If not, the user should set the ACKDT bit before starting an Acknowledge sequence. The BRG then counts for one rollover period (TBRG) and the SCLx pin is deasserted (pulled high). When the SCLx pin is sampled high (clock arbitration), the BRG counts for TBRG; the SCLx pin is then pulled low. Following this, the ACKEN bit is automatically cleared, the BRG is turned off and the MSSP module then goes into an inactive state (Figure 19-25).

### 19.5.12.1 WCOL Status Flag

If the user writes the SSPxBUF when an Acknowledge sequence is in progress, then WCOL is set and the contents of the buffer are unchanged (the write does not occur).

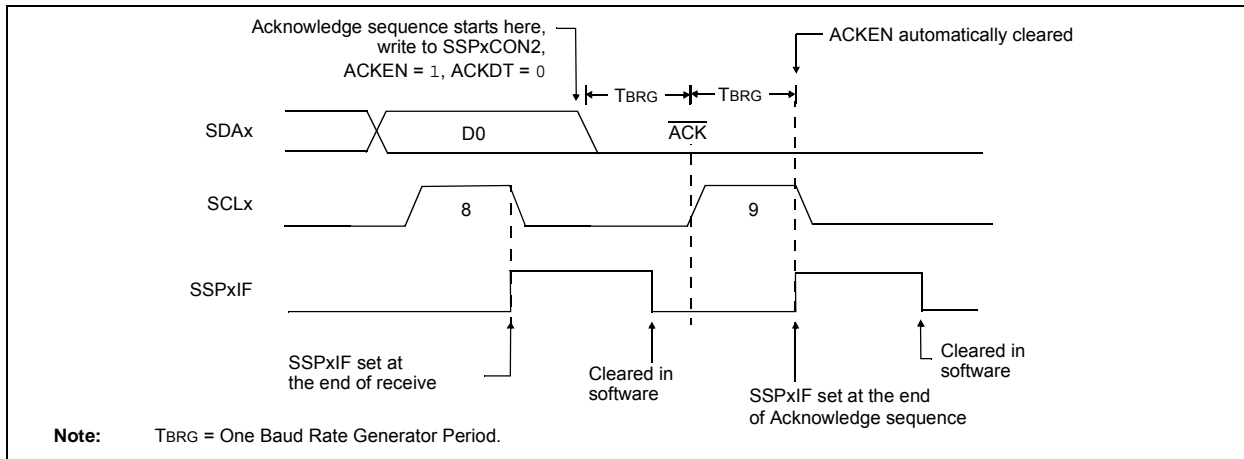
## 19.5.13 STOP CONDITION TIMING

A Stop bit is asserted on the SDAx pin at the end of a receive/transmit by setting the Stop Sequence Enable bit, PEN (SSPxCON2<2>). At the end of a receive/transmit, the SCLx line is held low after the falling edge of the ninth clock. When the PEN bit is set, the master will assert the SDAx line low. When the SDAx line is sampled low, the BRG is reloaded and counts down to 0. When the BRG times out, the SCLx pin will be brought high and one Baud Rate Generator rollover count (TBRG) later, the SDAx pin will be deasserted. When the SDAx pin is sampled high while SCLx is high, the Stop bit (SSPxSTAT<4>) is set. A TBRG later, the PEN bit is cleared and the SSPxIF bit is set (Figure 19-26).

### 19.5.13.1 WCOL Status Flag

If the user writes the SSPxBUF when a Stop sequence is in progress, then the WCOL bit is set and the contents of the buffer are unchanged (the write does not occur).

**FIGURE 19-25: ACKNOWLEDGE SEQUENCE WAVEFORM**



**FIGURE 19-26: STOP CONDITION RECEIVE OR TRANSMIT MODE**



## 19.5.14 SLEEP OPERATION

While in Sleep mode, the I<sup>2</sup>C module can receive addresses or data and when an address match or complete byte transfer occurs, wake the processor from Sleep (if the MSSP interrupt is enabled).

## 19.5.15 EFFECTS OF A RESET

A Reset disables the MSSP module and terminates the current transfer.

## 19.5.16 MULTI-MASTER MODE

In Multi-Master mode, the interrupt generation on the detection of the Start and Stop conditions allows the determination of when the bus is free. The Start and Stop bits are cleared from a Reset or when the MSSP module is disabled. Control of the I<sup>2</sup>C bus may be taken when the P bit (SSPxSTAT<4>) is set, or the bus is Idle, with both the Start and Stop bits clear. When the bus is busy, enabling the MSSP interrupt will generate the interrupt when the Stop condition occurs.

In multi-master operation, the SDAx line must be monitored for arbitration to see if the signal level is the expected output level. This check is performed in hardware with the result placed in the BCLxIF bit.

The states where arbitration can be lost are:

- Address Transfer
- Data Transfer
- A Start Condition
- A Repeated Start Condition
- An Acknowledge Condition

## 19.5.17 MULTI-MASTER COMMUNICATION, BUS COLLISION AND BUS ARBITRATION

Multi-Master mode support is achieved by bus arbitration. When the master outputs address/data bits onto the SDAx pin, arbitration takes place when the master outputs a '1' on SDAx, by letting SDAx float high and another master asserts a '0'. When the SCLx pin floats high, data should be stable. If the expected data on SDAx is a '1' and the data sampled on the SDAx pin = 0, then a bus collision has taken place. The master will set the Bus Collision Interrupt Flag, BCLxIF, and reset the I<sup>2</sup>C port to its Idle state (Figure 19-27).

If a transmit was in progress when the bus collision occurred, the transmission is halted, the BF flag is cleared, the SDAx and SCLx lines are deasserted and the SSPxBUF can be written to. When the user services the bus collision Interrupt Service Routine and if the I<sup>2</sup>C bus is free, the user can resume communication by asserting a Start condition.

If a Start, Repeated Start, Stop or Acknowledge condition was in progress when the bus collision occurred, the condition is aborted, the SDAx and SCLx lines are deasserted and the respective control bits in the SSPxCON2 register are cleared. When the user services the bus collision Interrupt Service Routine (ISR), and if the I<sup>2</sup>C bus is free, the user can resume communication by asserting a Start condition.

The master will continue to monitor the SDAx and SCLx pins. If a Stop condition occurs, the SSPxIF bit will be set.

A write to the SSPxBUF will start the transmission of data at the first data bit regardless of where the transmitter left off when the bus collision occurred.

In Multi-Master mode, the interrupt generation on the detection of Start and Stop conditions allows the determination of when the bus is free. Control of the I<sup>2</sup>C bus can be taken when the Stop bit is set in the SSPxSTAT register, or the bus is Idle and the Start and Stop bits are cleared.

**FIGURE 19-27: BUS COLLISION TIMING FOR TRANSMIT AND ACKNOWLEDGE**



# PIC18F46J50 FAMILY

## 19.5.17.1 Bus Collision During a Start Condition

During a Start condition, a bus collision occurs if:

- SDAx or SCLx is sampled low at the beginning of the Start condition (Figure 19-28).
- SCLx is sampled low before SDAx is asserted low (Figure 19-29).

During a Start condition, both the SDAx and the SCLx pins are monitored.

If the SDAx pin is already low, or the SCLx pin is already low, then all of the following occur:

- The Start condition is aborted
- The BCLxIF flag is set
- The MSSP module is reset to its inactive state (Figure 19-28)

The Start condition begins with the SDAx and SCLx pins deasserted. When the SDAx pin is sampled high, the BRG is loaded from SSPxADD<6:0> and counts down to 0. If the SCLx pin is sampled low while SDAx is high, a bus collision occurs because it is assumed that another master is attempting to drive a data '1' during the Start condition.

If the SDAx pin is sampled low during this count, the BRG is reset and the SDAx line is asserted early (Figure 19-30). If, however, a '1' is sampled on the SDAx pin, the SDAx pin is asserted low at the end of the BRG count. The BRG is then reloaded and counts down to 0. If the SCLx pin is sampled as '0' during this time, a bus collision does not occur. At the end of the BRG count, the SCLx pin is asserted low.

**Note:** The reason that bus collision is not a factor during a Start condition is that no two bus masters can assert a Start condition at the exact same time. Therefore, one master will always assert SDAx before the other. This condition does not cause a bus collision because the two masters must be allowed to arbitrate the first address following the Start condition. If the address is the same, arbitration must be allowed to continue into the data portion, Repeated Start or Stop conditions.

**FIGURE 19-28: BUS COLLISION DURING START CONDITION (SDAx ONLY)**



**FIGURE 19-29: BUS COLLISION DURING START CONDITION (SCLx = 0)**



**FIGURE 19-30: BRG RESET DUE TO SDAx ARBITRATION DURING START CONDITION**



# PIC18F46J50 FAMILY

## 19.5.17.2 Bus Collision During a Repeated Start Condition

During a Repeated Start condition, a bus collision occurs if:

- A low level is sampled on SDAx when SCLx goes from a low level to a high level.
- SCLx goes low before SDAx is asserted low, indicating that another master is attempting to transmit a data '1'.

When the user deasserts SDAx and the pin is allowed to float high, the BRG is loaded with SSPxADD<6:0> and counts down to 0. The SCLx pin is then deasserted and when sampled high, the SDAx pin is sampled.

If SDAx is low, a bus collision has occurred (i.e., another master is attempting to transmit a data '0'; see [Figure 19-31](#)). If SDAx is sampled high, the BRG is reloaded and begins counting. If SDAx goes from high-to-low before the BRG times out, no bus collision occurs because no two masters can assert SDAx at exactly the same time.

If SCLx goes from high-to-low before the BRG times out and SDAx has not already been asserted, a bus collision occurs. In this case, another master is attempting to transmit a data '1' during the Repeated Start condition (see [Figure 19-32](#)).

If, at the end of the BRG time-out, both SCLx and SDAx are still high, the SDAx pin is driven low and the BRG is reloaded and begins counting. At the end of the count, regardless of the status of the SCLx pin, the SCLx pin is driven low and the Repeated Start condition is complete.

**FIGURE 19-31: BUS COLLISION DURING A REPEATED START CONDITION (CASE 1)**



**FIGURE 19-32: BUS COLLISION DURING REPEATED START CONDITION (CASE 2)**





## 19.5.17.3 Bus Collision During a Stop Condition

Bus collision occurs during a Stop condition if:

- After the SDAx pin has been deasserted and allowed to float high, SDAx is sampled low after the BRG has timed out.
- After the SCLx pin is deasserted, SCLx is sampled low before SDAx goes high.

The Stop condition begins with SDAx asserted low. When SDAx is sampled low, the SCLx pin is allowed to float. When the pin is sampled high (clock arbitration), the BRG is loaded with SSPxADD<6:0> and counts down to 0. After the BRG times out, SDAx is sampled. If SDAx is sampled low, a bus collision has occurred. This is due to another master attempting to drive a data '0' (Figure 19-33). If the SCLx pin is sampled low before SDAx is allowed to float high, a bus collision occurs. This is another case of another master attempting to drive a data '0' (Figure 19-34).

**FIGURE 19-33: BUS COLLISION DURING A STOP CONDITION (CASE 1)**



**FIGURE 19-34: BUS COLLISION DURING A STOP CONDITION (CASE 2)**



# PIC18F46J50 FAMILY

**TABLE 19-4: REGISTERS ASSOCIATED WITH I<sup>2</sup>C™ OPERATION**

| Name                   | Bit 7   | Bit 6     | Bit 5                 | Bit 4                 | Bit 3                 | Bit 2                 | Bit 1                 | Bit 0  | Reset Values on Page: |
|------------------------|---|-----------|-----------------------|-----------------------|-----------------------|-----------------------|-----------------------|--------|-----------------------|
| INTCON                 | GIE/GIEH  | PEIE/GIEL | TMR0IE                | INT0IE                | RBIE                  | TMR0IF                | INT0IF                | RBIF   | 69                    |
| PIR1                   | PMPIF <sup>(3)</sup>  | ADIF      | RC1IF                 | TX1IF                 | SSP1IF                | CCP1IF                | TMR2IF                | TMR1IF | 72                    |
| PIE1                   | PMPIE <sup>(3)</sup>  | ADIE      | RC1IE                 | TX1IE                 | SSP1IE                | CCP1IE                | TMR2IE                | TMR1IE | 72                    |
| IPR1                   | PMPPIF <sup>(3)</sup>   | ADIP      | RC1IP                 | TX1IP                 | SSP1IP                | CCP1IP                | TMR2IP                | TMR1IP | 72                    |
| PIR2                   | OSCFIF  | CM2IF     | CM1IF                 | USBIF                 | BCL1IF                | HLVDIF                | TMR3IF                | CCP2IF | 72                    |
| PIE2                   | OSCFIE  | CM2IE     | CM1IE                 | USBIE                 | BCL1IE                | HLVDIE                | TMR3IE                | CCP2IE | 72                    |
| IPR2                   | OSCFIP  | CM2IP     | CM1IP                 | USBIP                 | BCL1IP                | HLVDIP                | TMR3IP                | CCP2IP | 72                    |
| PIR3                   | SSP2IF  | BCL2IF    | RC2IF                 | TX2IF                 | TMR4IF                | CTMUIF                | TMR3GIF               | RTCCIF | 72                    |
| PIE3                   | SSP2IE  | BCL2IE    | RC2IE                 | TX2IE                 | TMR4IE                | CTMUIE                | TMR3GIE               | RTCCIE | 72                    |
| IPR3                   | SSP2IP  | BCL2IP    | RC2IP                 | TX2IP                 | TMR4IP                | CTMUIP                | TMR3GIP               | RTCCIP | 72                    |
| TRISD                  | TRISD7  | TRISD6    | TRISD5                | TRISD4                | TRISD3                | TRISD2                | TRISD1                | TRISD0 | 72                    |
| TRISB                  | TRISB7  | TRISB6    | TRISB5                | TRISB4                | TRISB3                | TRISB2                | TRISB1                | TRISB0 | 72                    |
| SSP1BUF                | MSSP1 Receive Buffer/Transmit Register  |           |                       |                       |                       |                       |                       |        | 72                    |
| SSPxADD                | MSSP1 Address Register (I <sup>2</sup> C™ Slave mode), MSSP1 Baud Rate Reload Register (I <sup>2</sup> C Master mode) |           |                       |                       |                       |                       |                       |        | 70, 73                |
| SSPxMSK <sup>(1)</sup> | MSK7  | MSK6      | MSK5                  | MSK4                  | MSK3                  | MSK2                  | MSK1                  | MSK0   | 70, 73                |
| SSPxCON1               | WCOL  | SSPOV     | SSPEN                 | CKP                   | SSPM3                 | SSPM2                 | SSPM1                 | SSPM0  | 70, 73                |
| SSPxCON2               | GCEN  | ACKSTAT   | ACKDT                 | ACKEN                 | RCEN                  | PEN                   | RSEN                  | SEN    | 70, 73                |
|                        | GCEN  | ACKSTAT   | ADMSK5 <sup>(2)</sup> | ADMSK4 <sup>(2)</sup> | ADMSK3 <sup>(2)</sup> | ADMSK2 <sup>(2)</sup> | ADMSK1 <sup>(2)</sup> | SEN    | 70, 73                |
| SSPxSTAT               | SMP   | CKE       | D/Ā                   | P                     | S                     | R/W                   | UA                    | BF     | 70, 73                |
| SSP2BUF                | MSSP2 Receive Buffer/Transmit Register  |           |                       |                       |                       |                       |                       |        | 73                    |
| SSP2ADD                | MSSP2 Address Register (I <sup>2</sup> C Slave mode), MSSP2 Baud Rate Reload Register (I <sup>2</sup> C Master mode)  |           |                       |                       |                       |                       |                       |        | 73                    |

**Legend:** — = unimplemented, read as '0'. Shaded cells are not used by the MSSPx module in I<sup>2</sup>C™ mode.

**Note 1:** SSPxMSK shares the same address in SFR space as SSPxADD, but is only accessible in certain I<sup>2</sup>C Slave mode operations in 7-Bit Masking mode. See [Section 19.5.3.4 “7-Bit Address Masking Mode”](#) for more details.

**2:** Alternate bit definitions for use in I<sup>2</sup>C Slave mode operations only.

**3:** These bits are only available on 44-pin devices.

## 20.0 ENHANCED UNIVERSAL SYNCHRONOUS ASYNCHRONOUS RECEIVER TRANSMITTER (EUSART)

The Enhanced Universal Synchronous Asynchronous Receiver Transmitter (EUSART) module is one of two serial I/O modules. (Generically, the EUSART is also known as a Serial Communications Interface or SCI.) The EUSART can be configured as a full-duplex asynchronous system that can communicate with peripheral devices, such as CRT terminals and personal computers. It can also be configured as a half-duplex synchronous system that can communicate with peripheral devices, such as A/D or D/A integrated circuits, serial EEPROMs and so on.

The Enhanced USART module implements additional features, including automatic baud rate detection and calibration, automatic wake-up on Sync Break reception and 12-bit Break character transmit. These make it ideally suited for use in Local Interconnect Network bus (LIN/J2602 bus) systems.

All members of the PIC18F46J50 family are equipped with two independent EUSART modules, referred to as EUSART1 and EUSART2. They can be configured in the following modes:

- Asynchronous (full-duplex) with:
  - Auto-wake-up on character reception
  - Auto-baud calibration
  - 12-bit Break character transmission
- Synchronous – Master (half-duplex) with selectable clock polarity
- Synchronous – Slave (half-duplex) with selectable clock polarity

The pins of EUSART1 and EUSART2 are multiplexed with the functions of PORTC (RC6/TX1/CK1/RP17 and RC7/RX1/DT1/SDO1/RP18) and remapped (RPn1/TX2/CK2 and RPn2/RX2/DT2), respectively. In order to configure these pins as an EUSART:

- For EUSART1:
  - SPEN bit (RCSTA1<7>) must be set (= 1)
  - TRISC<7> bit must be set (= 1)
  - TRISC<6> bit must be cleared (= 0) for Asynchronous and Synchronous Master modes
  - TRISC<6> bit must be set (= 1) for Synchronous Slave mode
- For EUSART2:
  - SPEN bit (RCSTA2<7>) must be set (= 1)
  - TRIS bit for RPn2/RX2/DT2 = 1
  - TRIS bit for RPn1/TX2/CK2 = 0 for Asynchronous and Synchronous Master modes
  - TRISC<6> bit must be set (= 1) for Synchronous Slave mode

**Note:** The EUSART control will automatically reconfigure the pin from input to output as needed.

The TXx/CKx I/O pins have an optional open-drain output capability. By default, when this pin is used by the EUSART as an output, it will function as a standard push-pull CMOS output. The TXx/CKx I/O pins' open-drain, output feature can be enabled by setting the corresponding UxOD bit in the ODCON2 register. For more details, see [Section 19.3.3 "Open-Drain Output Option"](#).

The operation of each Enhanced USART module is controlled through three registers:

- Transmit Status and Control (TXSTAx)
- Receive Status and Control (RCSTAx)
- Baud Rate Control (BAUDCONx)

These are covered in detail in [Register 20-1](#), [Register 20-2](#) and [Register 20-3](#), respectively.

**Note:** Throughout this section, references to register and bit names that may be associated with a specific EUSART module are referred to generically by the use of 'x' in place of the specific module number. Thus, "RCSTAx" might refer to the Receive Status register for either EUSART1 or EUSART2.

# PIC18F46J50 FAMILY

## REGISTER 20-1: TXSTAx: TRANSMIT STATUS AND CONTROL REGISTER (ACCESS FADh, FA8h)

| R/W-0 | R/W-0 | R/W-0               | R/W-0 | R/W-0 | R/W-0 | R-1   | R/W-0 |
|-------|-------|---------------------|-------|-------|-------|-------|-------|
| CSRC  | TX9   | TXEN <sup>(1)</sup> | SYNC  | SENDB | BRGH  | TRMT  | TX9D  |
| bit 7 |       |                     |       |       |       | bit 0 |       |

### Legend:

R = Readable bit                      W = Writable bit                      U = Unimplemented bit, read as '0'  
 -n = Value at POR                      '1' = Bit is set                      '0' = Bit is cleared                      x = Bit is unknown

- bit 7            **CSRC:** Clock Source Select bit  
Asynchronous mode:  
 Don't care.  
Synchronous mode:  
 1 = Master mode (clock generated internally from BRG)  
 0 = Slave mode (clock from external source)
- bit 6            **TX9:** 9-Bit Transmit Enable bit  
 1 = Selects 9-bit transmission  
 0 = Selects 8-bit transmission
- bit 5            **TXEN:** Transmit Enable bit<sup>(1)</sup>  
 1 = Transmit is enabled  
 0 = Transmit is disabled
- bit 4            **SYNC:** EUSART Mode Select bit  
 1 = Synchronous mode  
 0 = Asynchronous mode
- bit 3            **SENDB:** Send Break Character bit  
Asynchronous mode:  
 1 = Send Sync Break on next transmission (cleared by hardware upon completion)  
 0 = Sync Break transmission has completed  
Synchronous mode:  
 Don't care.
- bit 2            **BRGH:** High Baud Rate Select bit  
Asynchronous mode:  
 1 = High speed  
 0 = Low speed  
Synchronous mode:  
 Unused in this mode.
- bit 1            **TRMT:** Transmit Shift Register Status bit  
 1 = TSR is empty  
 0 = TSR is full
- bit 0            **TX9D:** 9<sup>th</sup> bit of Transmit Data  
 Can be address/data bit or a parity bit.

**Note 1:** SREN/CREN overrides TXEN in Sync mode.

# PIC18F46J50 FAMILY

## REGISTER 20-2: RCSTAx: RECEIVE STATUS AND CONTROL REGISTER (ACCESS FACH, F9Ch)

| R/W-0 | R/W-0 | R/W-0 | R/W-0 | R/W-0 | R-0  | R-0  | R-x   |
|-------|-------|-------|-------|-------|------|------|-------|
| SPEN  | RX9   | SREN  | CREN  | ADDEN | FERR | OERR | RX9D  |
| bit 7 |       |       |       |       |      |      | bit 0 |

### Legend:

|                   |                  |                                    |
|-------------------|------------------|------------------------------------|
| R = Readable bit  | W = Writable bit | U = Unimplemented bit, read as '0' |
| -n = Value at POR | '1' = Bit is set | '0' = Bit is cleared               |
|                   |                  | x = Bit is unknown                 |

- bit 7      **SPEN:** Serial port Enable bit  
 1 = Serial port is enabled  
 0 = Serial port is disabled (held in Reset)
- bit 6      **RX9:** 9-Bit Receive Enable bit  
 1 = Selects 9-bit reception  
 0 = Selects 8-bit reception
- bit 5      **SREN:** Single Receive Enable bit  
Asynchronous mode:  
 Don't care.  
Synchronous mode – Master:  
 1 = Enables single receive  
 0 = Disables single receive  
 This bit is cleared after reception is complete.  
Synchronous mode – Slave:  
 Don't care.
- bit 4      **CREN:** Continuous Receive Enable bit  
Asynchronous mode:  
 1 = Enables receiver  
 0 = Disables receiver  
Synchronous mode:  
 1 = Enables continuous receive until enable bit, CREN, is cleared (CREN overrides SREN)  
 0 = Disables continuous receive
- bit 3      **ADDEN:** Address Detect Enable bit  
Asynchronous mode 9-Bit (RX9 = 1):  
 1 = Enables address detection, enables interrupt and loads the receive buffer when RSR<8> is set  
 0 = Disables address detection, all bytes are received and ninth bit can be used as parity bit  
Asynchronous mode 8-Bit (RX9 = 0):  
 Don't care.
- bit 2      **FERR:** Framing Error bit  
 1 = Framing error (can be cleared by reading RCREGx register and receiving next valid byte)  
 0 = No framing error
- bit 1      **OERR:** Overrun Error bit  
 1 = Overrun error (can be cleared by clearing bit, CREN)  
 0 = No overrun error
- bit 0      **RX9D:** 9<sup>th</sup> bit of Received Data  
 This can be address/data bit or a parity bit and must be calculated by user firmware.

# PIC18F46J50 FAMILY

## REGISTER 20-3: BAUDCONx: BAUD RATE CONTROL REGISTER (ACCESS F7Eh, F7Ch)

|        |       |       |       |       |     |       |       |
|--------|-------|-------|-------|-------|-----|-------|-------|
| R/W-0  | R-1   | R/W-0 | R/W-0 | R/W-0 | U-0 | R/W-0 | R/W-0 |
| ABDOVF | RCIDL | RXDTP | TXCKP | BRG16 | —   | WUE   | ABDEN |
| bit 7  |       |       |       |       |     |       | bit 0 |

### Legend:

|                   |                  |                                    |
|-------------------|------------------|------------------------------------|
| R = Readable bit  | W = Writable bit | U = Unimplemented bit, read as '0' |
| -n = Value at POR | '1' = Bit is set | '0' = Bit is cleared               |
|                   |                  | x = Bit is unknown                 |

- bit 7      **ABDOVF:** Auto-Baud Acquisition Rollover Status bit  
 1 = A BRG rollover has occurred during Auto-Baud Rate Detect mode (must be cleared in software)  
 0 = No BRG rollover has occurred
- bit 6      **RCIDL:** Receive Operation Idle Status bit  
 1 = Receive operation is Idle  
 0 = Receive operation is active
- bit 5      **RXDTP:** Data/Receive Polarity Select bit  
Asynchronous mode:  
 1 = Receive data (RXx) is inverted (active-low)  
 0 = Receive data (RXx) is not inverted (active-high)  
Synchronous mode:  
 1 = Data (DTx) is inverted (active-low)  
 0 = Data (DTx) is not inverted (active-high)
- bit 4      **TXCKP:** Synchronous Clock Polarity Select bit  
Asynchronous mode:  
 1 = Idle state for transmit (TXx) is a low level  
 0 = Idle state for transmit (TXx) is a high level  
Synchronous mode:  
 1 = Idle state for clock (CKx) is a high level  
 0 = Idle state for clock (CKx) is a low level
- bit 3      **BRG16:** 16-Bit Baud Rate Register Enable bit  
 1 = 16-bit Baud Rate Generator – SPBRGHx and SPBRGx  
 0 = 8-bit Baud Rate Generator – SPBRGx only (Compatible mode), SPBRGHx value is ignored
- bit 2      **Unimplemented:** Read as '0'
- bit 1      **WUE:** Wake-up Enable bit  
Asynchronous mode:  
 1 = EUSART will continue to sample the RXx pin – interrupt is generated on falling edge; bit is cleared in hardware on following rising edge  
 0 = RXx pin not monitored or rising edge detected  
Synchronous mode:  
 Unused in this mode.
- bit 0      **ABDEN:** Auto-Baud Detect Enable bit  
Asynchronous mode:  
 1 = Enable baud rate measurement on the next character; requires reception of a Sync field (55h); cleared in hardware upon completion  
 0 = Baud rate measurement is disabled or completed  
Synchronous mode:  
 Unused in this mode.

## 20.1 Baud Rate Generator (BRG)

The BRG is a dedicated, 8-bit or 16-bit generator that supports both the Asynchronous and Synchronous modes of the EUSART. By default, the BRG operates in 8-bit mode. Setting the BRG16 bit (BAUDCONx<3>) selects 16-bit mode.

The SPBRGHx:SPBRGx register pair controls the period of a free-running timer. In Asynchronous mode, bits, BRGH (TXSTAx<2>) and BRG16 (BAUDCONx<3>), also control the baud rate. In Synchronous mode, BRGH is ignored.

Table 20-1 provides the formula for computation of the baud rate for different EUSART modes, which only apply in Master mode (internally generated clock).

Given the desired baud rate and Fosc, the nearest integer value for the SPBRGHx:SPBRGx registers can be calculated using the formulas in Table 20-1. From this, the error in baud rate can be determined. An example calculation is provided in Example 20-1. Typical baud rates and error values for the various Asynchronous modes are provided in Table 20-2. It may be advantageous to use the high baud rate (BRGH = 1) or the 16-bit BRG to reduce the baud rate error, or achieve a slow baud rate for a fast oscillator frequency.

Writing a new value to the SPBRGHx:SPBRGx registers causes the BRG timer to be reset (or cleared). This ensures the BRG does not wait for a timer overflow before outputting the new baud rate.

When operated in the Synchronous mode, SPBRGH:SPBRG values of 0000h and 0001h are not supported. In the Asynchronous mode, all BRG values may be used.

### 20.1.1 OPERATION IN POWER-MANAGED MODES

The device clock is used to generate the desired baud rate. When one of the power-managed modes is entered, the new clock source may be operating at a different frequency. This may require an adjustment to the value in the SPBRGx register pair.

### 20.1.2 SAMPLING

The data on the RXx pin (either RC7/PMA4/RX1/DT1/SDO1/RP18 or RPn/RX2/DT2) is sampled three times by a majority detect circuit to determine if a high or a low level is present at the RXx pin.

**TABLE 20-1: BAUD RATE FORMULAS**

| Configuration Bits |       |      | BRG/EUSART Mode     | Baud Rate Formula   |
|--------------------|-------|------|---------------------|---------------------|
| SYNC               | BRG16 | BRGH |                     |                     |
| 0                  | 0     | 0    | 8-bit/Asynchronous  | $F_{OSC}/[64(n+1)]$ |
| 0                  | 0     | 1    | 8-bit/Asynchronous  | $F_{OSC}/[16(n+1)]$ |
| 0                  | 1     | 0    | 16-bit/Asynchronous |                     |
| 0                  | 1     | 1    | 16-bit/Asynchronous | $F_{OSC}/[4(n+1)]$  |
| 1                  | 0     | x    | 8-bit/Synchronous   |                     |
| 1                  | 1     | x    | 16-bit/Synchronous  |                     |

**Legend:** x = Don't care, n = value of SPBRGHx:SPBRGx register pair

# PIC18F46J50 FAMILY

## EXAMPLE 20-1: CALCULATING BAUD RATE ERROR

For a device with Fosc of 16 MHz, desired baud rate of 9600, Asynchronous mode, and 8-bit BRG:

$$\text{Desired Baud Rate} = \text{Fosc} / (64 ([\text{SPBRGHx}:\text{SPBRGx}] + 1))$$

Solving for SPBRGHx:SPBRGx:

$$\begin{aligned} X &= ((\text{Fosc}/\text{Desired Baud Rate})/64) - 1 \\ &= ((16000000/9600)/64) - 1 \\ &= [25.042] = 25 \end{aligned}$$

$$\begin{aligned} \text{Calculated Baud Rate} &= 16000000 / (64 (25 + 1)) \\ &= 9615 \end{aligned}$$

$$\begin{aligned} \text{Error} &= (\text{Calculated Baud Rate} - \text{Desired Baud Rate}) / \text{Desired Baud Rate} \\ &= (9615 - 9600) / 9600 = 0.16\% \end{aligned}$$

**TABLE 20-2: REGISTERS ASSOCIATED WITH BAUD RATE GENERATOR**

| Name     | Bit 7  | Bit 6 | Bit 5 | Bit 4 | Bit 3 | Bit 2 | Bit 1 | Bit 0 | Reset Values on Page: |
|----------|--|-------|-------|-------|-------|-------|-------|-------|-----------------------|
| TXSTAx   | CSRC   | TX9   | TXEN  | SYNC  | SEnDB | BRGH  | TRMT  | TX9D  | 71                    |
| RCSTAx   | SPEN   | RX9   | SREN  | CREN  | ADDEN | FERR  | OERR  | RX9D  | 71                    |
| BAUDCONx | ABDOVF   | RCIDL | RXDTP | TXCKP | BRG16 | —     | WUE   | ABDEN | 73                    |
| SPBRGHx  | EUSARTx Baud Rate Generator Register High Byte |       |       |       |       |       |       |       | 73                    |
| SPBRGx   | EUSARTx Baud Rate Generator Register Low Byte  |       |       |       |       |       |       |       | 71                    |

**Legend:** — = unimplemented, read as '0'. Shaded cells are not used by the BRG.



# PIC18F46J50 FAMILY

**TABLE 20-3: BAUD RATES FOR ASYNCHRONOUS MODES**

| BAUD RATE (K) | SYNC = 0, BRGH = 0, BRG16 = 0 |         |                       |                   |         |                       |                   |         |                       |                  |         |                       |
|---------------|-------------------------------|---------|-----------------------|-------------------|---------|-----------------------|-------------------|---------|-----------------------|------------------|---------|-----------------------|
|               | Fosc = 40.000 MHz             |         |                       | Fosc = 20.000 MHz |         |                       | Fosc = 10.000 MHz |         |                       | Fosc = 8.000 MHz |         |                       |
|               | Actual Rate (K)               | % Error | SPBRG value (decimal) | Actual Rate (K)   | % Error | SPBRG value (decimal) | Actual Rate (K)   | % Error | SPBRG value (decimal) | Actual Rate (K)  | % Error | SPBRG value (decimal) |
| 0.3           | —                             | —       | —                     | —                 | —       | —                     | —                 | —       | —                     | —                | —       | —                     |
| 1.2           | —                             | —       | —                     | 1.221             | 1.73    | 255                   | 1.202             | 0.16    | 129                   | 1.201            | -0.16   | 103                   |
| 2.4           | 2.441                         | 1.73    | 255                   | 2.404             | 0.16    | 129                   | 2.404             | 0.16    | 64                    | 2.403            | -0.16   | 51                    |
| 9.6           | 9.615                         | 0.16    | 64                    | 9.766             | 1.73    | 31                    | 9.766             | 1.73    | 15                    | 9.615            | -0.16   | 12                    |
| 19.2          | 19.531                        | 1.73    | 31                    | 19.531            | 1.73    | 15                    | 19.531            | 1.73    | 7                     | —                | —       | —                     |
| 57.6          | 56.818                        | -1.36   | 10                    | 62.500            | 8.51    | 4                     | 52.083            | -9.58   | 2                     | —                | —       | —                     |
| 115.2         | 125.000                       | 8.51    | 4                     | 104.167           | -9.58   | 2                     | 78.125            | -32.18  | 1                     | —                | —       | —                     |

| BAUD RATE (K) | SYNC = 0, BRGH = 0, BRG16 = 0 |         |                       |                  |         |                       |                  |         |                       |
|---------------|-------------------------------|---------|-----------------------|------------------|---------|-----------------------|------------------|---------|-----------------------|
|               | Fosc = 4.000 MHz              |         |                       | Fosc = 2.000 MHz |         |                       | Fosc = 1.000 MHz |         |                       |
|               | Actual Rate (K)               | % Error | SPBRG value (decimal) | Actual Rate (K)  | % Error | SPBRG value (decimal) | Actual Rate (K)  | % Error | SPBRG value (decimal) |
| 0.3           | 0.300                         | 0.16    | 207                   | 0.300            | -0.16   | 103                   | 0.300            | -0.16   | 51                    |
| 1.2           | 1.202                         | 0.16    | 51                    | 1.201            | -0.16   | 25                    | 1.201            | -0.16   | 12                    |
| 2.4           | 2.404                         | 0.16    | 25                    | 2.403            | -0.16   | 12                    | —                | —       | —                     |
| 9.6           | 8.929                         | -6.99   | 6                     | —                | —       | —                     | —                | —       | —                     |
| 19.2          | 20.833                        | 8.51    | 2                     | —                | —       | —                     | —                | —       | —                     |
| 57.6          | 62.500                        | 8.51    | 0                     | —                | —       | —                     | —                | —       | —                     |
| 115.2         | 62.500                        | -45.75  | 0                     | —                | —       | —                     | —                | —       | —                     |

| BAUD RATE (K) | SYNC = 0, BRGH = 1, BRG16 = 0 |         |                       |                   |         |                       |                   |         |                       |                  |         |                       |
|---------------|-------------------------------|---------|-----------------------|-------------------|---------|-----------------------|-------------------|---------|-----------------------|------------------|---------|-----------------------|
|               | Fosc = 40.000 MHz             |         |                       | Fosc = 20.000 MHz |         |                       | Fosc = 10.000 MHz |         |                       | Fosc = 8.000 MHz |         |                       |
|               | Actual Rate (K)               | % Error | SPBRG value (decimal) | Actual Rate (K)   | % Error | SPBRG value (decimal) | Actual Rate (K)   | % Error | SPBRG value (decimal) | Actual Rate (K)  | % Error | SPBRG value (decimal) |
| 0.3           | —                             | —       | —                     | —                 | —       | —                     | —                 | —       | —                     | —                | —       | —                     |
| 1.2           | —                             | —       | —                     | —                 | —       | —                     | —                 | —       | —                     | —                | —       | —                     |
| 2.4           | —                             | —       | —                     | —                 | —       | —                     | 2.441             | 1.73    | 255                   | 2.403            | -0.16   | 207                   |
| 9.6           | 9.766                         | 1.73    | 255                   | 9.615             | 0.16    | 129                   | 9.615             | 0.16    | 64                    | 9.615            | -0.16   | 51                    |
| 19.2          | 19.231                        | 0.16    | 129                   | 19.231            | 0.16    | 64                    | 19.531            | 1.73    | 31                    | 19.230           | -0.16   | 25                    |
| 57.6          | 58.140                        | 0.94    | 42                    | 56.818            | -1.36   | 21                    | 56.818            | -1.36   | 10                    | 55.555           | 3.55    | 8                     |
| 115.2         | 113.636                       | -1.36   | 21                    | 113.636           | -1.36   | 10                    | 125.000           | 8.51    | 4                     | —                | —       | —                     |

| BAUD RATE (K) | SYNC = 0, BRGH = 1, BRG16 = 0 |         |                       |                  |         |                       |                  |         |                       |
|---------------|-------------------------------|---------|-----------------------|------------------|---------|-----------------------|------------------|---------|-----------------------|
|               | Fosc = 4.000 MHz              |         |                       | Fosc = 2.000 MHz |         |                       | Fosc = 1.000 MHz |         |                       |
|               | Actual Rate (K)               | % Error | SPBRG value (decimal) | Actual Rate (K)  | % Error | SPBRG value (decimal) | Actual Rate (K)  | % Error | SPBRG value (decimal) |
| 0.3           | —                             | —       | —                     | —                | —       | —                     | 0.300            | -0.16   | 207                   |
| 1.2           | 1.202                         | 0.16    | 207                   | 1.201            | -0.16   | 103                   | 1.201            | -0.16   | 51                    |
| 2.4           | 2.404                         | 0.16    | 103                   | 2.403            | -0.16   | 51                    | 2.403            | -0.16   | 25                    |
| 9.6           | 9.615                         | 0.16    | 25                    | 9.615            | -0.16   | 12                    | —                | —       | —                     |
| 19.2          | 19.231                        | 0.16    | 12                    | —                | —       | —                     | —                | —       | —                     |
| 57.6          | 62.500                        | 8.51    | 3                     | —                | —       | —                     | —                | —       | —                     |
| 115.2         | 125.000                       | 8.51    | 1                     | —                | —       | —                     | —                | —       | —                     |

# PIC18F46J50 FAMILY

**TABLE 20-3: BAUD RATES FOR ASYNCHRONOUS MODES (CONTINUED)**

| BAUD RATE (K) | SYNC = 0, BRGH = 0, BRG16 = 1 |         |                       |                   |         |                       |                   |         |                       |                  |         |                       |
|---------------|-------------------------------|---------|-----------------------|-------------------|---------|-----------------------|-------------------|---------|-----------------------|------------------|---------|-----------------------|
|               | Fosc = 40.000 MHz             |         |                       | Fosc = 20.000 MHz |         |                       | Fosc = 10.000 MHz |         |                       | Fosc = 8.000 MHz |         |                       |
|               | Actual Rate (K)               | % Error | SPBRG value (decimal) | Actual Rate (K)   | % Error | SPBRG value (decimal) | Actual Rate (K)   | % Error | SPBRG value (decimal) | Actual Rate (K)  | % Error | SPBRG value (decimal) |
| 0.3           | 0.300                         | 0.00    | 8332                  | 0.300             | 0.02    | 4165                  | 0.300             | 0.02    | 2082                  | 0.300            | -0.04   | 1665                  |
| 1.2           | 1.200                         | 0.02    | 2082                  | 1.200             | -0.03   | 1041                  | 1.200             | -0.03   | 520                   | 1.201            | -0.16   | 415                   |
| 2.4           | 2.402                         | 0.06    | 1040                  | 2.399             | -0.03   | 520                   | 2.404             | 0.16    | 259                   | 2.403            | -0.16   | 207                   |
| 9.6           | 9.615                         | 0.16    | 259                   | 9.615             | 0.16    | 129                   | 9.615             | 0.16    | 64                    | 9.615            | -0.16   | 51                    |
| 19.2          | 19.231                        | 0.16    | 129                   | 19.231            | 0.16    | 64                    | 19.531            | 1.73    | 31                    | 19.230           | -0.16   | 25                    |
| 57.6          | 58.140                        | 0.94    | 42                    | 56.818            | -1.36   | 21                    | 56.818            | -1.36   | 10                    | 55.555           | 3.55    | 8                     |
| 115.2         | 113.636                       | -1.36   | 21                    | 113.636           | -1.36   | 10                    | 125.000           | 8.51    | 4                     | —                | —       | —                     |

| BAUD RATE (K) | SYNC = 0, BRGH = 0, BRG16 = 1 |         |                       |                  |         |                       |                  |         |                       |
|---------------|-------------------------------|---------|-----------------------|------------------|---------|-----------------------|------------------|---------|-----------------------|
|               | Fosc = 4.000 MHz              |         |                       | Fosc = 2.000 MHz |         |                       | Fosc = 1.000 MHz |         |                       |
|               | Actual Rate (K)               | % Error | SPBRG value (decimal) | Actual Rate (K)  | % Error | SPBRG value (decimal) | Actual Rate (K)  | % Error | SPBRG value (decimal) |
| 0.3           | 0.300                         | 0.04    | 832                   | 0.300            | -0.16   | 415                   | 0.300            | -0.16   | 207                   |
| 1.2           | 1.202                         | 0.16    | 207                   | 1.201            | -0.16   | 103                   | 1.201            | -0.16   | 51                    |
| 2.4           | 2.404                         | 0.16    | 103                   | 2.403            | -0.16   | 51                    | 2.403            | -0.16   | 25                    |
| 9.6           | 9.615                         | 0.16    | 25                    | 9.615            | -0.16   | 12                    | —                | —       | —                     |
| 19.2          | 19.231                        | 0.16    | 12                    | —                | —       | —                     | —                | —       | —                     |
| 57.6          | 62.500                        | 8.51    | 3                     | —                | —       | —                     | —                | —       | —                     |
| 115.2         | 125.000                       | 8.51    | 1                     | —                | —       | —                     | —                | —       | —                     |

| BAUD RATE (K) | SYNC = 0, BRGH = 1, BRG16 = 1 or SYNC = 1, BRG16 = 1 |         |                       |                   |         |                       |                   |         |                       |                  |         |                       |
|---------------|--|---------|-----------------------|-------------------|---------|-----------------------|-------------------|---------|-----------------------|------------------|---------|-----------------------|
|               | Fosc = 40.000 MHz                                    |         |                       | Fosc = 20.000 MHz |         |                       | Fosc = 10.000 MHz |         |                       | Fosc = 8.000 MHz |         |                       |
|               | Actual Rate (K)                                      | % Error | SPBRG value (decimal) | Actual Rate (K)   | % Error | SPBRG value (decimal) | Actual Rate (K)   | % Error | SPBRG value (decimal) | Actual Rate (K)  | % Error | SPBRG value (decimal) |
| 0.3           | 0.300  | 0.00    | 33332                 | 0.300             | 0.00    | 16665                 | 0.300             | 0.00    | 8332                  | 0.300            | -0.01   | 6665                  |
| 1.2           | 1.200  | 0.00    | 8332                  | 1.200             | 0.02    | 4165                  | 1.200             | 0.02    | 2082                  | 1.200            | -0.04   | 1665                  |
| 2.4           | 2.400  | 0.02    | 4165                  | 2.400             | 0.02    | 2082                  | 2.402             | 0.06    | 1040                  | 2.400            | -0.04   | 832                   |
| 9.6           | 9.606  | 0.06    | 1040                  | 9.596             | -0.03   | 520                   | 9.615             | 0.16    | 259                   | 9.615            | -0.16   | 207                   |
| 19.2          | 19.193   | -0.03   | 520                   | 19.231            | 0.16    | 259                   | 19.231            | 0.16    | 129                   | 19.230           | -0.16   | 103                   |
| 57.6          | 57.803   | 0.35    | 172                   | 57.471            | -0.22   | 86                    | 58.140            | 0.94    | 42                    | 57.142           | 0.79    | 34                    |
| 115.2         | 114.943  | -0.22   | 86                    | 116.279           | 0.94    | 42                    | 113.636           | -1.36   | 21                    | 117.647          | -2.12   | 16                    |

| BAUD RATE (K) | SYNC = 0, BRGH = 1, BRG16 = 1 or SYNC = 1, BRG16 = 1 |         |                       |                  |         |                       |                  |         |                       |
|---------------|--|---------|-----------------------|------------------|---------|-----------------------|------------------|---------|-----------------------|
|               | Fosc = 4.000 MHz                                     |         |                       | Fosc = 2.000 MHz |         |                       | Fosc = 1.000 MHz |         |                       |
|               | Actual Rate (K)                                      | % Error | SPBRG value (decimal) | Actual Rate (K)  | % Error | SPBRG value (decimal) | Actual Rate (K)  | % Error | SPBRG value (decimal) |
| 0.3           | 0.300  | 0.01    | 3332                  | 0.300            | -0.04   | 1665                  | 0.300            | -0.04   | 832                   |
| 1.2           | 1.200  | 0.04    | 832                   | 1.201            | -0.16   | 415                   | 1.201            | -0.16   | 207                   |
| 2.4           | 2.404  | 0.16    | 415                   | 2.403            | -0.16   | 207                   | 2.403            | -0.16   | 103                   |
| 9.6           | 9.615  | 0.16    | 103                   | 9.615            | -0.16   | 51                    | 9.615            | -0.16   | 25                    |
| 19.2          | 19.231   | 0.16    | 51                    | 19.230           | -0.16   | 25                    | 19.230           | -0.16   | 12                    |
| 57.6          | 58.824   | 2.12    | 16                    | 55.555           | 3.55    | 8                     | —                | —       | —                     |
| 115.2         | 111.111  | -3.55   | 8                     | —                | —       | —                     | —                | —       | —                     |

## 20.1.3 AUTO-BAUD RATE DETECT

The Enhanced USART module supports the automatic detection and calibration of baud rate. This feature is active only in Asynchronous mode and while the WUE bit is clear.

The automatic baud rate measurement sequence (Figure 20-1) begins whenever a Start bit is received and the ABDEN bit is set. The calculation is self-averaging.

In the Auto-Baud Rate Detect (ABD) mode, the clock to the BRG is reversed. Rather than the BRG clocking the incoming RXx signal, the RXx signal is timing the BRG. In ABD mode, the internal BRG is used as a counter to time the bit period of the incoming serial byte stream.

Once the ABDEN bit is set, the state machine will clear the BRG and look for a Start bit. The ABD must receive a byte with the value, 55h (ASCII "U", which is also the LIN/J2602 bus Sync character), in order to calculate the proper bit rate. The measurement is taken over both a low and high bit time in order to minimize any effects caused by asymmetry of the incoming signal. After a Start bit, the SPBRGx begins counting up, using the pre-selected clock source on the first rising edge of RXx. After eight bits on the RXx pin or the fifth rising edge, an accumulated value, totalling the proper BRG period, is left in the SPBRGHx:SPBRGx register pair. Once the 5<sup>th</sup> edge is seen (this should correspond to the Stop bit), the ABDEN bit is automatically cleared.

If a rollover of the BRG occurs (an overflow from FFFFh to 0000h), the event is trapped by the ABDOVF status bit (BAUDCONx<7>). It is set in hardware by BRG rollovers and can be set or cleared by the user in software. ABD mode remains active after rollover events and the ABDEN bit remains set (Figure 20-2).

While calibrating the baud rate period, the BRG registers are clocked at 1/8<sup>th</sup> the preconfigured clock rate. Note that the BRG clock can be configured by the BRG16 and BRGH bits. The BRG16 bit must be set to use both SPBRGx and SPBRGHx as a 16-bit counter. This allows the user to verify that no carry occurred for 8-bit modes by checking for 00h in the SPBRGHx register. Refer to Table 20-4 for counter clock rates to the BRG.

While the ABD sequence takes place, the EUSART state machine is held in Idle. The RCxIF interrupt is set once the fifth rising edge on RXx is detected. The value in the RCREGx needs to be read to clear the RCxIF interrupt. The contents of RCREGx should be discarded.

**Note 1:** If the WUE bit is set with the ABDEN bit, Auto-Baud Rate Detection will occur on the byte *following* the Break character.

**2:** It is up to the user to determine that the incoming character baud rate is within the range of the selected BRG clock source. Some combinations of oscillator frequency and EUSART baud rates are not possible due to bit error rates. Overall system timing and communication baud rates must be taken into consideration when using the Auto-Baud Rate Detection feature.

**3:** To maximize the baud rate range, it is recommended to set the BRG16 bit if the auto-baud feature is used.

**TABLE 20-4: BRG COUNTER CLOCK RATES**

| BRG16 | BRGH | BRG Counter Clock |
|-------|------|-------------------|
| 0     | 0    | Fosc/512          |
| 0     | 1    | Fosc/128          |
| 1     | 0    | Fosc/128          |
| 1     | 1    | Fosc/32           |

**Note:** During the ABD sequence, SPBRGx and SPBRGHx are both used as a 16-bit counter, independent of the BRG16 setting.

### 20.1.3.1 ABD and EUSART Transmission

Since the BRG clock is reversed during ABD acquisition, the EUSART transmitter cannot be used during ABD. This means that whenever the ABDEN bit is set, TXREGx cannot be written to. Users should also ensure that ABDEN does not become set during a transmit sequence. Failing to do this may result in unpredictable EUSART operation.

# PIC18F46J50 FAMILY

**FIGURE 20-1: AUTOMATIC BAUD RATE CALCULATION**



**FIGURE 20-2: BRG OVERFLOW SEQUENCE**



## 20.2 EUSART Asynchronous Mode

The Asynchronous mode of operation is selected by clearing the SYNC bit (TXSTAx<4>). In this mode, the EUSART uses standard Non-Return-to-Zero (NRZ) format (one Start bit, eight or nine data bits and one Stop bit). The most common data format is 8 bits. An on-chip, dedicated 8-bit/16-bit BRG can be used to derive standard baud rate frequencies from the oscillator.

The EUSART transmits and receives the LSb first. The EUSART's transmitter and receiver are functionally independent but use the same data format and baud rate. The BRG produces a clock, either x16 or x64 of the bit shift rate, depending on the BRGH and BRG16 bits (TXSTAx<2> and BAUDCONx<3>). Parity is not supported by the hardware but can be implemented in software and stored as the ninth data bit.

When operating in Asynchronous mode, the EUSART module consists of the following important elements:

- Baud Rate Generator
- Sampling Circuit
- Asynchronous Transmitter
- Asynchronous Receiver
- Auto-Wake-up on Sync Break Character
- 12-Bit Break Character Transmit
- Auto-Baud Rate Detection

### 20.2.1 EUSART ASYNCHRONOUS TRANSMITTER

Figure 20-3 displays the EUSART transmitter block diagram.

The heart of the transmitter is the Transmit (Serial) Shift Register (TSR). The Shift register obtains its data from the Read/Write Transmit Buffer register, TXREGx. The TXREGx register is loaded with data in software. The TSR register is not loaded until the Stop bit has been transmitted from the previous load. As soon as the Stop bit is transmitted, the TSR is loaded with new data from the TXREGx register (if available).

Once the TXREGx register transfers the data to the TSR register (occurs in one Tcy), the TXREGx register is empty and the TXxIF flag bit is set. This interrupt can be enabled or disabled by setting or clearing the interrupt enable bit, TXxIE. TXxIF will be set regardless of the state of TXxIE; it cannot be cleared in software. TXxIF is also not cleared immediately upon loading TXREGx, but becomes valid in the second instruction cycle following the load instruction. Polling TXxIF immediately following a load of TXREGx will return invalid results.

While TXxIF indicates the status of the TXREGx register; another bit, TRMT (TXSTAx<1>), shows the status of the TSR register. TRMT is a read-only bit, which is set when the TSR register is empty. No interrupt logic is tied to this bit so the user has to poll this bit in order to determine if the TSR register is empty.

**Note 1:** The TSR register is not mapped in data memory, so it is not available to the user.

**2:** Flag bit, TXxIF, is set when enable bit, TXEN, is set.

To set up an Asynchronous Transmission:

1. Initialize the SPBRGHx:SPBRGx registers for the appropriate baud rate. Set or clear the BRGH and BRG16 bits, as required, to achieve the desired baud rate.
2. Enable the asynchronous serial port by clearing bit, SYNC, and setting bit, SPEN.
3. If interrupts are desired, set enable bit, TXxIE.
4. If 9-bit transmission is desired, set transmit bit, TX9. Can be used as address/data bit.
5. Enable the transmission by setting bit, TXEN, which will also set bit, TXxIF.
6. If 9-bit transmission is selected, the ninth bit should be loaded in bit, TX9D.
7. Load data to the TXREGx register (starts transmission).
8. If using interrupts, ensure that the GIE and PEIE bits in the INTCON register (INTCON<7:6>) are set.

# PIC18F46J50 FAMILY

**FIGURE 20-3: EUSART TRANSMIT BLOCK DIAGRAM**



**FIGURE 20-4: ASYNCHRONOUS TRANSMISSION**



**FIGURE 20-5: ASYNCHRONOUS TRANSMISSION (BACK-TO-BACK)**



# PIC18F46J50 FAMILY

**TABLE 20-5: REGISTERS ASSOCIATED WITH ASYNCHRONOUS TRANSMISSION**

| Name     | Bit 7  | Bit 6     | Bit 5  | Bit 4  | Bit 3  | Bit 2  | Bit 1   | Bit 0  | Reset Values on Page: |
|----------|--|-----------|--------|--------|--------|--------|---------|--------|-----------------------|
| INTCON   | GIE/GIEH                                       | PEIE/GIEL | TMR0IE | INT0IE | RBIE   | TMR0IF | INT0IF  | RBIF   | 69                    |
| PIR1     | PMPIF <sup>(1)</sup>                           | ADIF      | RC1IF  | TX1IF  | SSP1IF | CCP1IF | TMR2IF  | TMR1IF | 72                    |
| PIE1     | PMPIE <sup>(1)</sup>                           | ADIE      | RC1IE  | TX1IE  | SSP1IE | CCP1IE | TMR2IE  | TMR1IE | 72                    |
| IPR1     | PMPIP <sup>(1)</sup>                           | ADIP      | RC1IP  | TX1IP  | SSP1IP | CCP1IP | TMR2IP  | TMR1IP | 72                    |
| PIR3     | SSP2IF   | BCL2IF    | RC2IF  | TX2IF  | TMR4IF | CTMUIF | TMR3GIF | RTCCIF | 72                    |
| PIE3     | SSP2IE   | BCL2IE    | RC2IE  | TX2IE  | TMR4IE | CTMUIE | TMR3GIE | RTCCIE | 72                    |
| IPR3     | SSP2IP   | BCL2IP    | RC2IP  | TX2IP  | TMR4IP | CTMUIP | TMR3GIP | RTCCIP | 72                    |
| RCSTAx   | SPEN   | RX9       | SREN   | CREN   | ADDEN  | FERR   | OERR    | RX9D   | 71                    |
| TXREGx   | EUSARTx Transmit Register                      |           |        |        |        |        |         |        | 71                    |
| TXSTAx   | CSRC   | TX9       | TXEN   | SYNC   | SENDB  | BRGH   | TRMT    | TX9D   | 71                    |
| BAUDCONx | ABDOVF   | RCIDL     | RXDTP  | TXDTP  | BRG16  | —      | WUE     | ABDEN  | 73                    |
| SPBRGHx  | EUSARTx Baud Rate Generator Register High Byte |           |        |        |        |        |         |        | 71                    |
| SPBRGx   | EUSARTx Baud Rate Generator Register Low Byte  |           |        |        |        |        |         |        | 71                    |
| ODCON2   | —  | —         | —      | —      | —      | —      | U2OD    | U1OD   | 74                    |

**Legend:** — = unimplemented locations read as '0'. Shaded cells are not used for asynchronous transmission.

**Note 1:** These bits are only available on 44-pin devices.

# PIC18F46J50 FAMILY

## 20.2.2 EUSART ASYNCHRONOUS RECEIVER

The receiver block diagram is displayed in [Figure 20-6](#). The data is received on the RXx pin and drives the data recovery block. The data recovery block is actually a high-speed shifter operating at x16 times the baud rate, whereas the main receive serial shifter operates at the bit rate or at Fosc. This mode would typically be used in RS-232 systems.

### 20.2.2.1 Receiving Data

The receiver data recovery circuit initiates character reception on the falling edge of the first bit. The first bit, also known as the Start bit, is always a zero (after accounting for the RXDTP setting). Following the Start bit will be the Least Significant bit of the data character being received. As each bit is received, the value will be sampled and shifted into the Receive Shift Register (RSR). After all 8 or 9 data bits (user-selectable option) of the character have been shifted in, one final bit time is measured and the level is sampled. This is the Stop bit, which should always be a '1' (after accounting for the RXDTP setting). If the data recovery circuit samples a '0' in the Stop bit position, then a Framing Error (FERR) is set for this character; otherwise, the framing error is cleared for this character.

Once all data bits of the character and the Stop bit have been received, the data bits in the RSR will immediately be transferred to a two-character First-In-First-Out (FIFO) memory. The FIFO buffering allows reception of two complete characters before software is required to service the EUSART receiver. The RSR register is not directly accessible by software. Firmware can read data from the FIFO by reading the RCREGx register. Each firmware initiated read from the RCREGx register will advance the FIFO by one character, and will clear the Receive Interrupt Flag (RCxIF), if no additional data exists in the FIFO.

### 20.2.2.2 Receive Overrun Error

If the user firmware allows the FIFO to become full, and a third character is received before the firmware reads from RCREGx, a buffer overrun error condition will occur. In this case, the hardware will block the RSR contents (the third byte received) from being copied into the receive FIFO, the character will be lost and the OERR status bit in the RCSTAx register will become set. If an OERR condition is allowed to occur, firmware must clear the condition by clearing and then resetting CREN, before additional characters can be successfully received.

**Note:** If the receive FIFO is overrun, no additional characters will be received until the overrun condition is cleared.

### 20.2.2.3 Setting Up Asynchronous Receive

To set up an Asynchronous Reception:

1. Initialize the SPBRGHx:SPBRGx registers for the appropriate baud rate. Set or clear the BRGH and BRG16 bits, as required, to achieve the desired baud rate.
2. Enable the asynchronous serial port by clearing bit, SYNC, and setting bit, SPEN.
3. If interrupts are desired, set enable bit, RCxIE.
4. If 9-bit reception is desired, set bit, RX9.
5. Enable the reception by setting bit, CREN.
6. Flag bit, RCxIF, will be set when reception is complete and an interrupt will be generated if enable bit, RCxIE, was set.
7. Read the RCSTAx register to get the ninth bit (if enabled) and determine if any error occurred during reception.
8. Read the 8-bit received data by reading the RCREGx register.
9. If any error occurred, clear the error by clearing enable bit, CREN.
10. If using interrupts, ensure that the GIE and PEIE bits in the INTCON register (INTCON<7:6>) are set.

### 20.2.2.4 Setting Up 9-Bit Mode with Address Detect

This mode would typically be used in RS-485 systems. To set up an Asynchronous Reception with Address Detect Enable:

1. Initialize the SPBRGHx:SPBRGx registers for the appropriate baud rate. Set or clear the BRGH and BRG16 bits, as required, to achieve the desired baud rate.
2. Enable the asynchronous serial port by clearing the SYNC bit and setting the SPEN bit.
3. If interrupts are required, set the RCEN bit and select the desired priority level with the RCxIP bit.
4. Set the RX9 bit to enable 9-bit reception.
5. Set the ADDEN bit to enable address detect.
6. Enable reception by setting the CREN bit.
7. The RCxIF bit will be set when reception is complete. The interrupt will be Acknowledged if the RCxIE and GIE bits are set.
8. Read the RCSTAx register to determine if any error occurred during reception, as well as read Bit 9 of data (if applicable).
9. Read RCREGx to determine if the device is being addressed.
10. If any error occurred, clear the CREN bit.
11. If the device has been addressed, clear the ADDEN bit to allow all received data into the receive buffer and interrupt the CPU.



# PIC18F46J50 FAMILY

**FIGURE 20-6: EUSARTx RECEIVE BLOCK DIAGRAM**



**FIGURE 20-7: ASYNCHRONOUS RECEPTION**



# PIC18F46J50 FAMILY

**TABLE 20-6: REGISTERS ASSOCIATED WITH ASYNCHRONOUS RECEPTION**

| Name     | Bit 7  | Bit 6     | Bit 5  | Bit 4  | Bit 3  | Bit 2  | Bit 1   | Bit 0  | Reset Values on Page: |
|----------|--|-----------|--------|--------|--------|--------|---------|--------|-----------------------|
| INTCON   | GIE/GIEH                                       | PEIE/GIEL | TMR0IE | INT0IE | RBIE   | TMR0IF | INT0IF  | RBIF   | 69                    |
| PIR1     | PMPIF <sup>(1)</sup>                           | ADIF      | RC1IF  | TX1IF  | SSP1IF | CCP1IF | TMR2IF  | TMR1IF | 72                    |
| PIE1     | PMPIE <sup>(1)</sup>                           | ADIE      | RC1IE  | TX1IE  | SSP1IE | CCP1IE | TMR2IE  | TMR1IE | 72                    |
| IPR1     | PMPPIF <sup>(1)</sup>                          | ADIP      | RC1IP  | TX1IP  | SSP1IP | CCP1IP | TMR2IP  | TMR1IP | 72                    |
| PIR3     | SSP2IF   | BCL2IF    | RC2IF  | TX2IF  | TMR4IF | CTMUIF | TMR3GIF | RTCCIF | 72                    |
| PIE3     | SSP2IE   | BCL2IE    | RC2IE  | TX2IE  | TMR4IE | CTMUIE | TMR3GIE | RTCCIE | 72                    |
| IPR3     | SSP2IP   | BCL2IP    | RC2IP  | TX2IP  | TMR4IP | CTMUIP | TMR3GIP | RTCCIP | 72                    |
| RCSTAx   | SPEN   | RX9       | SREN   | CREN   | ADDEN  | FERR   | OERR    | RX9D   | 71                    |
| RCREGx   | EUSARTx Receive Register                       |           |        |        |        |        |         |        | 71                    |
| TXSTAx   | CSRC   | TX9       | TXEN   | SYNC   | SENDB  | BRGH   | TRMT    | TX9D   | 71                    |
| BAUDCONx | ABDOVF   | RCIDL     | RXDTP  | TXCKP  | BRG16  | —      | WUE     | ABDEN  | 73                    |
| SPBRGHx  | EUSARTx Baud Rate Generator Register High Byte |           |        |        |        |        |         |        | 71                    |
| SPBRGx   | EUSARTx Baud Rate Generator Register Low Byte  |           |        |        |        |        |         |        | 71                    |

**Legend:** — = unimplemented locations read as '0'. Shaded cells are not used for asynchronous reception.

**Note 1:** These bits are only available on 44-pin devices.

## 20.2.3 AUTO-WAKE-UP ON SYNC BREAK CHARACTER

During Sleep mode, all clocks to the EUSART are suspended. Because of this, the BRG is inactive and a proper byte reception cannot be performed. The auto-wake-up feature allows the controller to wake-up due to activity on the RXx/DTx line while the EUSART is operating in Asynchronous mode.

The auto-wake-up feature is enabled by setting the WUE bit (BAUDCONx<1>). Once set, the typical receive sequence on RXx/DTx is disabled and the EUSART remains in an Idle state, monitoring for a wake-up event independent of the CPU mode. A wake-up event consists of a high-to-low transition on the RXx/DTx line. (This coincides with the start of a Sync Break or a Wake-up Signal character for the LIN/J2602 support protocol.)

Following a wake-up event, the module generates an RCxIF interrupt. The interrupt is generated synchronously to the Q clocks in normal operating modes (Figure 20-8) and asynchronously if the device is in Sleep mode (Figure 20-9). The interrupt condition is cleared by reading the RCREGx register.

The WUE bit is automatically cleared once a low-to-high transition is observed on the RXx line following the wake-up event. At this point, the EUSART module is in Idle mode and returns to normal operation. This signals to the user that the Sync Break event is over.

## 20.2.3.1 Special Considerations Using Auto-Wake-up

Since auto-wake-up functions by sensing rising edge transitions on RXx/DTx, information with any state changes before the Stop bit may signal a false End-of-Character (EOC) and cause data or framing errors. To work properly, therefore, the initial character in the transmission must be all '0's. This can be 00h (8 bits) for standard RS-232 devices or 000h (12 bits) for LIN/J2602 bus.

Oscillator start-up time must also be considered, especially in applications using oscillators with longer start-up intervals (i.e., HS or HSPLL mode). The Sync Break (or Wake-up Signal) character must be of sufficient length, and be followed by a sufficient interval, to allow enough time for the selected oscillator to start and provide proper initialization of the EUSART.

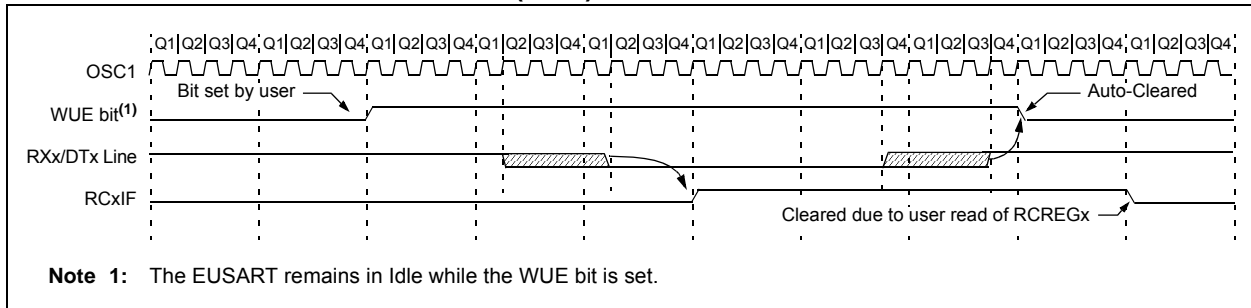
## 20.2.3.2 Special Considerations Using the WUE Bit

The timing of WUE and RCxIF events may cause some confusion when it comes to determining the validity of received data. As noted, setting the WUE bit places the EUSART in an Idle mode. The wake-up event causes a receive interrupt by setting the RCxIF bit. The WUE bit is cleared after this when a rising edge is seen on RXx/DTx. The interrupt condition is then cleared by reading the RCREGx register. Ordinarily, the data in RCREGx will be dummy data and should be discarded.

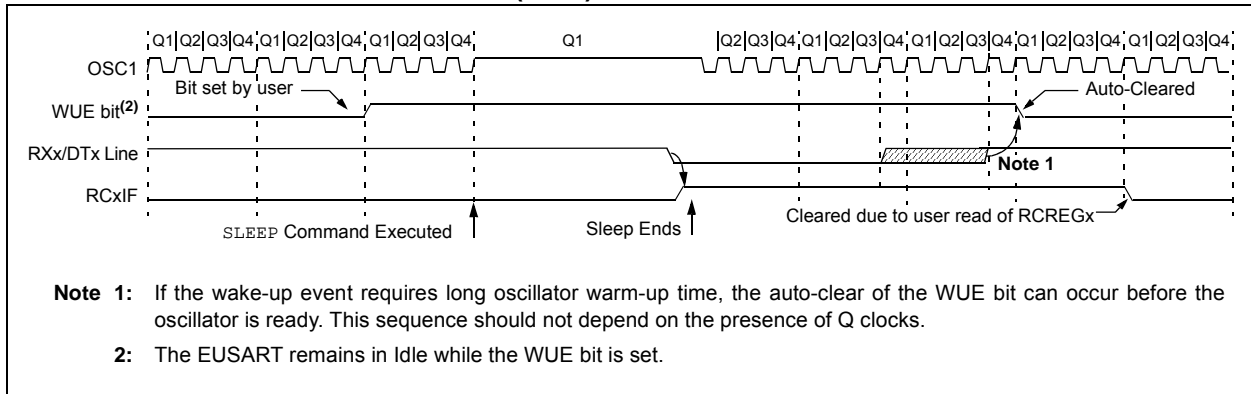
The fact that the WUE bit has been cleared (or is still set) and the RCxIF flag is set should not be used as an indicator of the integrity of the data in RCREGx. Users should consider implementing a parallel method in firmware to verify received data integrity.

To assure that no actual data is lost, check the RCIDL bit to verify that a receive operation is not in process. If a receive operation is not occurring, the WUE bit may then be set just prior to entering the Sleep mode.

**FIGURE 20-8: AUTO-WAKE-UP BIT (WUE) TIMINGS DURING NORMAL OPERATION**



**FIGURE 20-9: AUTO-WAKE-UP BIT (WUE) TIMINGS DURING SLEEP**



# PIC18F46J50 FAMILY

## 20.2.4 BREAK CHARACTER SEQUENCE

The EUSART module has the capability of sending the special Break character sequences that are required by the LIN/J2602 bus standard. The Break character transmit consists of a Start bit, followed by twelve '0' bits and a Stop bit. The Frame Break character is sent whenever the SENDB and TXEN bits (TXSTAx<3> and TXSTAx<5>) are set while the Transmit Shift Register is loaded with data.

Note that the value of data written to TXREGx will be ignored and all '0's will be transmitted.

The SENDB bit is automatically reset by hardware after the corresponding Stop bit is sent. This allows the user to preload the transmit FIFO with the next transmit byte, following the Break character (typically, the Sync character in the LIN/J2602 specification).

Note that the data value written to the TXREGx for the Break character is ignored. The write simply serves the purpose of initiating the proper sequence.

The TRMT bit indicates when the transmit operation is active or Idle, just as it does during normal transmission. See [Figure 20-10](#) for the timing of the Break character sequence.

### 20.2.4.1 Break and Sync Transmit Sequence

The following sequence will send a message frame header made up of a Break, followed by an Auto-Baud Sync byte. This sequence is typical of a LIN/J2602 bus master.

1. Configure the EUSART for the desired mode.
2. Set the TXEN and SENDB bits to set up the Break character.
3. Load the TXREGx with a dummy character to initiate transmission (the value is ignored).
4. Write '55h' to TXREGx to load the Sync character into the transmit FIFO buffer.
5. After the Break has been sent, the SENDB bit is reset by hardware. The Sync character now transmits in the preconfigured mode.

When the TXREGx becomes empty, as indicated by the TXxIF, the next data byte can be written to TXREGx.

## 20.2.5 RECEIVING A BREAK CHARACTER

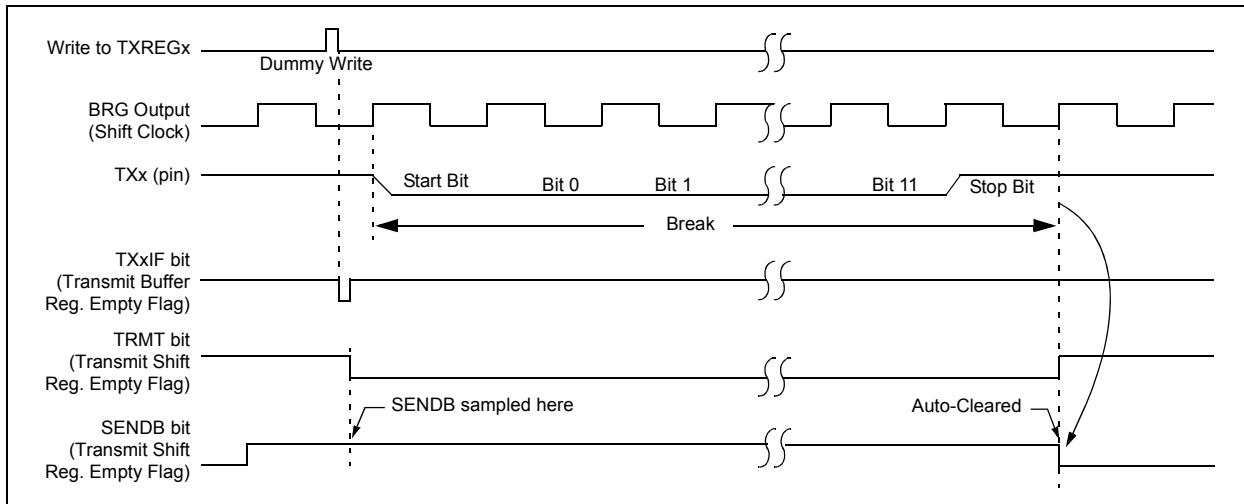
The Enhanced USART module can receive a Break character in two ways.

The first method forces configuration of the baud rate at a frequency of 9/13 the typical speed. This allows for the Stop bit transition to be at the correct sampling location (13 bits for Break versus Start bit and 8 data bits for typical data).

The second method uses the auto-wake-up feature described in [Section 20.2.3 "Auto-Wake-up on Sync Break Character"](#). By enabling this feature, the EUSART will sample the next two transitions on RXx/DTx, cause an RCxIF interrupt and receive the next data byte followed by another interrupt.

Note that following a Break character, the user will typically want to enable the Auto-Baud Rate Detect feature. For both methods, the user can set the ABDEN bit once the TXXIF interrupt is observed.

**FIGURE 20-10: SEND BREAK CHARACTER SEQUENCE**



## 20.3 EUSART Synchronous Master Mode

The Synchronous Master mode is entered by setting the CSRC bit (TXSTAx<7>). In this mode, the data is transmitted in a half-duplex manner (i.e., transmission and reception do not occur at the same time). When transmitting data, the reception is inhibited and vice versa. Synchronous mode is entered by setting bit, SYNC (TXSTAx<4>). In addition, enable bit, SPEN (RCSTAx<7>), is set in order to configure the Tx and Rx pins to CKx (clock) and DTx (data) lines, respectively.

The Master mode indicates that the processor transmits the master clock on the CKx line. Clock polarity is selected with the TXCKP bit (BAUDCONx<4>). Setting TXCKP sets the Idle state on CKx as high, while clearing the bit sets the Idle state as low. This option is provided to support Microwire devices with this module.

### 20.3.1 EUSART SYNCHRONOUS MASTER TRANSMISSION

The EUSART transmitter block diagram is shown in Figure 20-3. The heart of the transmitter is the Transmit (Serial) Shift Register (TSR). The Shift register obtains its data from the Read/Write Transmit Buffer register, TXREGx. The TXREGx register is loaded with data in software. The TSR register is not loaded until the last bit has been transmitted from the previous load. As soon as the last bit is transmitted, the TSR is loaded with new data from the TXREGx (if available).

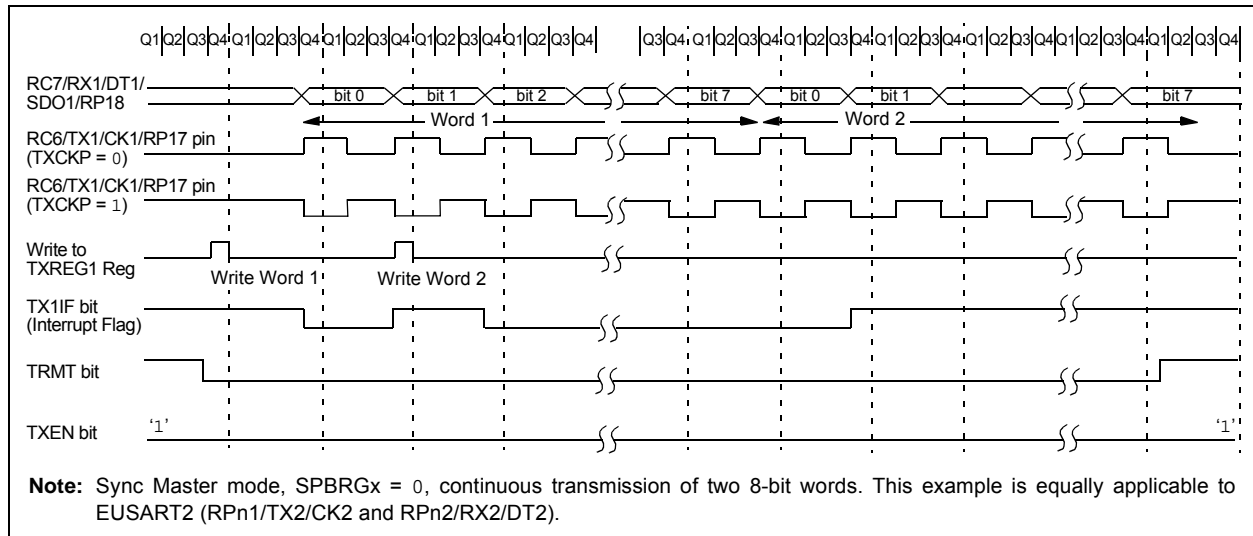
Once the TXREGx register transfers the data to the TSR register (occurs in one Tcy), the TXREGx is empty and the TXxIF flag bit is set. The interrupt can be enabled or disabled by setting or clearing the interrupt enable bit, TXxIE. TXxIF is set regardless of the state of enable bit, TXxIE; it cannot be cleared in software. It will reset only when new data is loaded into the TXREGx register.

While flag bit, TXxIF, indicates the status of the TXREGx register, another bit, TRMT (TXSTAx<1>), shows the status of the TSR register. TRMT is a read-only bit which is set when the TSR is empty. No interrupt logic is tied to this bit, so the user must poll this bit in order to determine if the TSR register is empty. The TSR is not mapped in data memory so it is not available to the user.

To set up a Synchronous Master Transmission:

1. Initialize the SPBRGHx:SPBRGx registers for the appropriate baud rate. Set or clear the BRG16 bit, as required, to achieve the required baud rate.
2. Enable the synchronous master serial port by setting bits, SYNC, SPEN and CSRC.
3. If interrupts are desired, set enable bit, TXxIE.
4. If 9-bit transmission is required, set bit, TX9.
5. Enable the transmission by setting bit, TXEN.
6. If 9-bit transmission is selected, the ninth bit should be loaded in bit, TX9D.
7. Start transmission by loading data to the TXREGx register.
8. If using interrupts, ensure that the GIE and PEIE bits in the INTCON register (INTCON<7:6>) are set.

**FIGURE 20-11: SYNCHRONOUS TRANSMISSION**



# PIC18F46J50 FAMILY

**FIGURE 20-12: SYNCHRONOUS TRANSMISSION (THROUGH TXEN)**



**TABLE 20-7: REGISTERS ASSOCIATED WITH SYNCHRONOUS MASTER TRANSMISSION**

| Name     | Bit 7  | Bit 6     | Bit 5  | Bit 4  | Bit 3  | Bit 2  | Bit 1   | Bit 0  | Reset Values on Page: |
|----------|--|-----------|--------|--------|--------|--------|---------|--------|-----------------------|
| INTCON   | GIE/GIEH                                       | PEIE/GIEL | TMR0IE | INT0IE | RBIE   | TMR0IF | INT0IF  | RBIF   | 69                    |
| PIR1     | PMP1F <sup>(1)</sup>                           | AD1F      | RC1IF  | TX1IF  | SSP1IF | CCP1IF | TMR2IF  | TMR1IF | 72                    |
| PIE1     | PMP1E <sup>(1)</sup>                           | AD1E      | RC1IE  | TX1IE  | SSP1IE | CCP1IE | TMR2IE  | TMR1IE | 72                    |
| IPR1     | PMP1P <sup>(1)</sup>                           | AD1P      | RC1IP  | TX1IP  | SSP1IP | CCP1IP | TMR2IP  | TMR1IP | 72                    |
| PIR3     | SSP2IF   | BCL2IF    | RC2IF  | TX2IF  | TMR4IF | CTMUIF | TMR3GIF | RTCCIF | 72                    |
| PIE3     | SSP2IE   | BCL2IE    | RC2IE  | TX2IE  | TMR4IE | CTMUIE | TMR3GIE | RTCCIE | 72                    |
| IPR3     | SSP2IP   | BCL2IP    | RC2IP  | TX2IP  | TMR4IP | CTMUIP | TMR3GIP | RTCCIP | 72                    |
| RCSTAx   | SPEN   | RX9       | SREN   | CREN   | ADDEN  | FERR   | OERR    | RX9D   | 72                    |
| TXREGx   | EUSARTx Transmit Register                      |           |        |        |        |        |         |        | 72                    |
| TXSTAx   | CSRC   | TX9       | TXEN   | SYNC   | SENDB  | BRGH   | TRMT    | TX9D   | 72                    |
| BAUDCONx | ABDOVF   | RCIDL     | RXDTP  | TXCKP  | BRG16  | —      | WUE     | ABDEN  | 73                    |
| SPBRGHx  | EUSARTx Baud Rate Generator Register High Byte |           |        |        |        |        |         |        | 72                    |
| SPBRGx   | EUSARTx Baud Rate Generator Register Low Byte  |           |        |        |        |        |         |        | 72                    |
| ODCON2   | —  | —         | —      | —      | —      | —      | U2OD    | U1OD   | 74                    |

**Legend:** — = unimplemented, read as '0'. Shaded cells are not used for synchronous master transmission.

**Note 1:** These pins are only available on 44-pin devices.

## 20.3.2 EUSART SYNCHRONOUS MASTER RECEPTION

Once Synchronous mode is selected, reception is enabled by setting either the Single Receive Enable bit, SREN (RCSTAx<5>) or the Continuous Receive Enable bit, CREN (RCSTAx<4>). Data is sampled on the RXx pin on the falling edge of the clock.

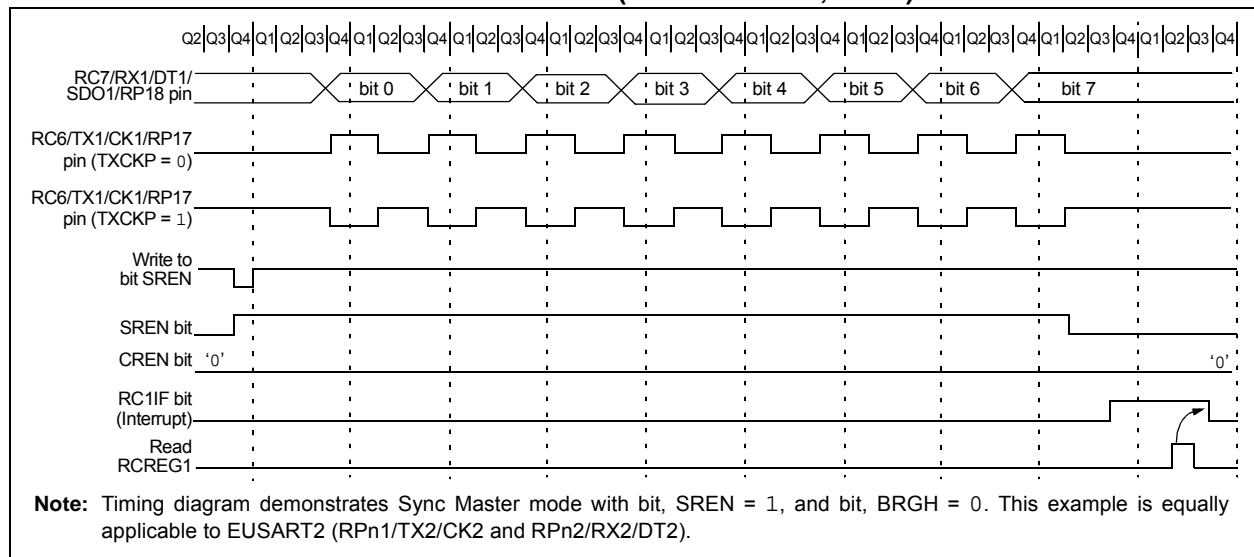
If enable bit, SREN, is set, only a single word is received. If enable bit, CREN, is set, the reception is continuous until CREN is cleared. If both bits are set, then CREN takes precedence.

To set up a Synchronous Master Reception:

1. Initialize the SPBRGHx:SPBRGx registers for the appropriate baud rate. Set or clear the BRG16 bit, as required, to achieve the desired baud rate.
2. Enable the synchronous master serial port by setting bits, SYNC, SPEN and CSRC.

3. Ensure bits, CREN and SREN, are clear.
4. If interrupts are desired, set enable bit, RCxIE.
5. If 9-bit reception is desired, set bit, RX9.
6. If a single reception is required, set bit, SREN. For continuous reception, set bit, CREN.
7. Interrupt flag bit, RCxIF, will be set when reception is complete and an interrupt will be generated if the enable bit, RCxIE, was set.
8. Read the RCSTAx register to get the ninth bit (if enabled) and determine if any error occurred during reception.
9. Read the 8-bit received data by reading the RCREGx register.
10. If any error occurred, clear the error by clearing bit, CREN.
11. If using interrupts, ensure that the GIE and PEIE bits in the INTCON register (INTCON<7:6>) are set.

**FIGURE 20-13: SYNCHRONOUS RECEPTION (MASTER MODE, SREN)**



# PIC18F46J50 FAMILY

**TABLE 20-8: REGISTERS ASSOCIATED WITH SYNCHRONOUS MASTER RECEPTION**

| Name     | Bit 7  | Bit 6     | Bit 5  | Bit 4  | Bit 3  | Bit 2  | Bit 1   | Bit 0  | Reset Values on Page: |
|----------|--|-----------|--------|--------|--------|--------|---------|--------|-----------------------|
| INTCON   | GIE/GIEH                                       | PEIE/GIEL | TMR0IE | INT0IE | RBIE   | TMR0IF | INT0IF  | RBIF   | 69                    |
| PIR1     | PMPIF <sup>(1)</sup>                           | ADIF      | RC1IF  | TX1IF  | SSP1IF | CCP1IF | TMR2IF  | TMR1IF | 72                    |
| PIE1     | PMPIE <sup>(1)</sup>                           | ADIE      | RC1IE  | TX1IE  | SSP1IE | CCP1IE | TMR2IE  | TMR1IE | 72                    |
| IPR1     | PMPPIF <sup>(1)</sup>                          | ADIP      | RC1IP  | TX1IP  | SSP1IP | CCP1IP | TMR2IP  | TMR1IP | 72                    |
| PIR3     | SSP2IF   | BCL2IF    | RC2IF  | TX2IF  | TMR4IF | CTMUIF | TMR3GIF | RTCCIF | 72                    |
| PIE3     | SSP2IE   | BCL2IE    | RC2IE  | TX2IE  | TMR4IE | CTMUIE | TMR3GIE | RTCCIE | 72                    |
| IPR3     | SSP2IP   | BCL2IP    | RC2IP  | TX2IP  | TMR4IP | CTMUIP | TMR3GIP | RTCCIP | 72                    |
| RCSTAx   | SPEN   | RX9       | SREN   | CREN   | ADDEN  | FERR   | OERR    | RX9D   | 72                    |
| RCREGx   | EUSARTx Receive Register                       |           |        |        |        |        |         |        | 72                    |
| TXSTAx   | CSRC   | TX9       | TXEN   | SYNC   | SENDB  | BRGH   | TRMT    | TX9D   | 72                    |
| BAUDCONx | ABDOVF   | RCIDL     | RXDTP  | TXCKP  | BRG16  | —      | WUE     | ABDEN  | 73                    |
| SPBRGHx  | EUSARTx Baud Rate Generator Register High Byte |           |        |        |        |        |         |        | 72                    |
| SPBRGx   | EUSARTx Baud Rate Generator Register Low Byte  |           |        |        |        |        |         |        | 72                    |
| ODCON2   | —  | —         | —      | —      | —      | —      | U2OD    | U1OD   | 74                    |

**Legend:** — = unimplemented, read as '0'. Shaded cells are not used for synchronous master reception.

**Note 1:** These pins are only available on 44-pin devices.



## 20.4 EUSART Synchronous Slave Mode

Synchronous Slave mode is entered by clearing bit, CSRC (TXSTAx<7>). This mode differs from the Synchronous Master mode in that the shift clock is supplied externally at the CKx pin (instead of being supplied internally in Master mode). This allows the device to transfer or receive data while in any low-power mode.

### 20.4.1 EUSART SYNCHRONOUS SLAVE TRANSMISSION

The operation of the Synchronous Master and Slave modes is identical, except in the case of Sleep mode.

If two words are written to the TXREGx and then the SLEEP instruction is executed, the following will occur:

- The first word will immediately transfer to the TSR register and transmit.
- The second word will remain in the TXREGx register.
- Flag bit, TXxIF, will not be set.
- When the first word has been shifted out of TSR, the TXREGx register will transfer the second word to the TSR and flag bit, TXxIF, will now be set.

- If enable bit, TXxIE, is set, the interrupt will wake the chip from Sleep. If the global interrupt is enabled, the program will branch to the interrupt vector.

To set up a Synchronous Slave Transmission:

- Enable the synchronous slave serial port by setting bits, SYNC and SPEN, and clearing bit, CSRC.
- Clear bits, CREN and SREN.
- If interrupts are desired, set enable bit, TXxIE.
- If 9-bit transmission is desired, set bit, TX9.
- Enable the transmission by setting enable bit, TXEN.
- If 9-bit transmission is selected, the ninth bit should be loaded in bit, TX9D.
- Start transmission by loading data to the TXREGx register.
- If using interrupts, ensure that the GIE and PEIE bits in the INTCON register (INTCON<7:6>) are set.

**TABLE 20-9: REGISTERS ASSOCIATED WITH SYNCHRONOUS SLAVE TRANSMISSION**

| Name     | Bit 7  | Bit 6     | Bit 5  | Bit 4  | Bit 3  | Bit 2  | Bit 1   | Bit 0  | Reset Values on Page: |
|----------|--|-----------|--------|--------|--------|--------|---------|--------|-----------------------|
| INTCON   | GIE/GIEH                                       | PEIE/GIEL | TMR0IE | INT0IE | RBIE   | TMR0IF | INT0IF  | RBIF   | 69                    |
| PIR1     | PMPIF <sup>(1)</sup>                           | ADIF      | RC1IF  | TX1IF  | SSP1IF | CCP1IF | TMR2IF  | TMR1IF | 72                    |
| PIE1     | PMPPIE <sup>(1)</sup>                          | ADIE      | RC1IE  | TX1IE  | SSP1IE | CCP1IE | TMR2IE  | TMR1IE | 72                    |
| IPR1     | PMPPIP <sup>(1)</sup>                          | ADIP      | RC1IP  | TX1IP  | SSP1IP | CCP1IP | TMR2IP  | TMR1IP | 72                    |
| PIR3     | SSP2IF   | BCL2IF    | RC2IF  | TX2IF  | TMR4IF | CTMUIF | TMR3GIF | RTCCIF | 72                    |
| PIE3     | SSP2IE   | BCL2IE    | RC2IE  | TX2IE  | TMR4IE | CTMUIE | TMR3GIE | RTCCIE | 72                    |
| IPR3     | SSP2IP   | BCL2IP    | RC2IP  | TX2IP  | TMR4IP | CTMUIP | TMR3GIP | RTCCIP | 72                    |
| RCSTAx   | SPEN   | RX9       | SREN   | CREN   | ADDEN  | FERR   | OERR    | RX9D   | 72                    |
| TXREGx   | EUSARTx Transmit Register                      |           |        |        |        |        |         |        | 72                    |
| TXSTAx   | CSRC   | TX9       | TXEN   | SYNC   | SENDB  | BRGH   | TRMT    | TX9D   | 72                    |
| BAUDCONx | ABDOVF   | RCIDL     | RXDTP  | TXCKP  | BRG16  | —      | WUE     | ABDEN  | 73                    |
| SPBRGHx  | EUSARTx Baud Rate Generator Register High Byte |           |        |        |        |        |         |        | 72                    |
| SPBRGx   | EUSARTx Baud Rate Generator Register Low Byte  |           |        |        |        |        |         |        | 72                    |

**Legend:** — = unimplemented, read as '0'. Shaded cells are not used for synchronous slave transmission.

**Note 1:** These pins are only available on 44-pin devices.

# PIC18F46J50 FAMILY

## 20.4.2 EUSART SYNCHRONOUS SLAVE RECEPTION

The operation of the Synchronous Master and Slave modes is identical, except in the case of Sleep or any Idle mode, and bit, SREN, which is a “don’t care” in Slave mode.

If receive is enabled by setting the CREN bit, prior to entering Sleep or any Idle mode, then a word may be received while in this low-power mode. Once the word is received, the RSR register will transfer the data to the RCREGx register. If the RCxIE enable bit is set, the interrupt generated will wake the chip from the low-power mode. If the global interrupt is enabled, the program will branch to the interrupt vector.

To set up a Synchronous Slave Reception:

1. Enable the synchronous master serial port by setting bits, SYNC and SPEN, and clearing bit, CSRC.
2. If interrupts are desired, set enable bit, RCxIE.
3. If 9-bit reception is desired, set bit, RX9.
4. To enable reception, set enable bit, CREN.
5. Flag bit, RCxIF, will be set when reception is complete. An interrupt will be generated if enable bit, RCxIE, was set.
6. Read the RCSTAx register to get the ninth bit (if enabled) and determine if any error occurred during reception.
7. Read the 8-bit received data by reading the RCREGx register.
8. If any error occurred, clear the error by clearing bit, CREN.
9. If using interrupts, ensure that the GIE and PEIE bits in the INTCON register (INTCON<7:6>) are set.

**TABLE 20-10: REGISTERS ASSOCIATED WITH SYNCHRONOUS SLAVE RECEPTION**

| Name     | Bit 7  | Bit 6     | Bit 5  | Bit 4  | Bit 3  | Bit 2  | Bit 1   | Bit 0  | Reset Values on Page: |
|----------|--|-----------|--------|--------|--------|--------|---------|--------|-----------------------|
| INTCON   | GIE/GIEH                                       | PEIE/GIEL | TMR0IE | INT0IE | RBIE   | TMR0IF | INT0IF  | RBIF   | 69                    |
| PIR1     | PMPIF <sup>(1)</sup>                           | ADIF      | RC1IF  | TX1IF  | SSP1IF | CCP1IF | TMR2IF  | TMR1IF | 72                    |
| PIE1     | PMP1E <sup>(1)</sup>                           | AD1E      | RC1IE  | TX1IE  | SSP1IE | CCP1IE | TMR2IE  | TMR1IE | 72                    |
| IPR1     | PMP1P <sup>(1)</sup>                           | AD1P      | RC1IP  | TX1IP  | SSP1IP | CCP1IP | TMR2IP  | TMR1IP | 72                    |
| PIR3     | SSP2IF   | BCL2IF    | RC2IF  | TX2IF  | TMR4IF | CTMUIF | TMR3GIF | RTCCIF | 72                    |
| PIE3     | SSP2IE   | BCL2IE    | RC2IE  | TX2IE  | TMR4IE | CTMU1E | TMR3GIE | RTCCIE | 72                    |
| IPR3     | SSP2IP   | BCL2IP    | RC2IP  | TX2IP  | TMR4IP | CTMU1P | TMR3GIP | RTCCIP | 72                    |
| RCSTAx   | SPEN   | RX9       | SREN   | CREN   | ADDEN  | FERR   | OERR    | RX9D   | 72                    |
| RCREGx   | EUSARTx Receive Register                       |           |        |        |        |        |         |        | 72                    |
| TXSTAx   | CSRC   | TX9       | TXEN   | SYNC   | SENDB  | BRGH   | TRMT    | TX9D   | 72                    |
| BAUDCONx | ABDOVF   | RCIDL     | RXDTP  | TXCKP  | BRG16  | —      | WUE     | ABDEN  | 73                    |
| SPBRGHx  | EUSARTx Baud Rate Generator Register High Byte |           |        |        |        |        |         |        | 72                    |
| SPBRGx   | EUSARTx Baud Rate Generator Register Low Byte  |           |        |        |        |        |         |        | 72                    |

**Legend:** — = unimplemented, read as ‘0’. Shaded cells are not used for synchronous slave reception.

**Note 1:** These pins are only available on 44-pin devices.

## 21.0 10-BIT ANALOG-TO-DIGITAL CONVERTER (A/D) MODULE

The Analog-to-Digital (A/D) Converter module has 10 inputs for the 28-pin devices and 13 for the 44-pin devices. Additionally, two internal channels are available for sampling the VDDCORE and VBG absolute reference voltage. This module allows conversion of an analog input signal to a corresponding 10-bit digital number.

The module has six registers:

- A/D Control Register 0 (ADCON0)
- A/D Control Register 1 (ADCON1)

- A/D Port Configuration Register 2 (ANCON0)
- A/D Port Configuration Register 1 (ANCON1)
- A/D Result Registers (ADRESH and ADRESL)

The ADCON0 register, in [Register 21-1](#), controls the operation of the A/D module. The ADCON1 register, in [Register 21-2](#), configures the A/D clock source, programmed acquisition time and justification.

The ANCON0 and ANCON1 registers, in [Register 21-3](#) and [Register 21-4](#), configure the functions of the port pins.

### REGISTER 21-1: ADCON0: A/D CONTROL REGISTER 0 (ACCESS FC2h)

|       |       |                     |                     |                     |                     |                        |       |
|-------|-------|---------------------|---------------------|---------------------|---------------------|------------------------|-------|
| R/W-0 | R/W-0 | R/W-0               | R/W-0               | R/W-0               | R/W-0               | R/W-0                  | R/W-0 |
| VCFG1 | VCFG0 | CHS3 <sup>(2)</sup> | CHS2 <sup>(2)</sup> | CHS1 <sup>(2)</sup> | CHS0 <sup>(2)</sup> | GO/DONE <sup>(3)</sup> | ADON  |
| bit 7 |       |                     |                     |                     |                     |                        | bit 0 |

#### Legend:

|                   |                  |                                    |
|-------------------|------------------|------------------------------------|
| R = Readable bit  | W = Writable bit | U = Unimplemented bit, read as '0' |
| -n = Value at POR | '1' = Bit is set | '0' = Bit is cleared               |
|                   |                  | x = Bit is unknown                 |

bit 7 **VCFG1**: Voltage Reference Configuration bit (VREF- source)  
 1 = VREF- (AN2)  
 0 = AVSS<sup>(4)</sup>

bit 6 **VCFG0**: Voltage Reference Configuration bit (VREF+ source)  
 1 = VREF+ (AN3)  
 0 = AVDD<sup>(4)</sup>

bit 5-2 **CHS<3:0>**: Analog Channel Select bits<sup>(2)</sup>  
 0000 = Channel 00 (AN0)  
 0001 = Channel 01 (AN1)  
 0010 = Channel 02 (AN2)  
 0011 = Channel 03 (AN3)  
 0100 = Channel 04 (AN4)  
 0101 = Channel 05 (AN5)<sup>(1)</sup>  
 0110 = Channel 06 (AN6)<sup>(1)</sup>  
 0111 = Channel 07 (AN7)<sup>(1)</sup>  
 1000 = Channel 08 (AN8)  
 1001 = Channel 09 (AN9)  
 1010 = Channel 10 (AN10)  
 1011 = Channel 11 (AN11)  
 1100 = Channel 12 (AN12)  
 1101 = (Reserved)  
 1110 = VDDCORE  
 1111 = VBG Absolute Reference (~1.2V)<sup>(3)</sup>

bit 1 **GO/DONE**: A/D Conversion Status bit  
When ADON = 1:  
 1 = A/D conversion in progress  
 0 = A/D Idle

**Note 1:** These channels are not implemented on 28-pin devices.

**2:** Performing a conversion on unimplemented channels will return random values.

**3:** For best accuracy, the band gap reference circuit should be enabled (ANCON1<7> = 1) at least 10 ms before performing a conversion on this channel.

**4:** On package types that have AVDD and AVSS pins, these pins should be externally connected to VDD and VSS levels at the circuit board level. Package types that do not have AVDD and AVSS pins, tie AVDD and AVSS to VDD and VSS internally.

# PIC18F46J50 FAMILY

## REGISTER 21-1: ADCON0: A/D CONTROL REGISTER 0 (ACCESS FC2h)

bit 0      **ADON:** A/D On bit  
           1 = A/D Converter module is enabled  
           0 = A/D Converter module is disabled

- Note 1:** These channels are not implemented on 28-pin devices.  
**2:** Performing a conversion on unimplemented channels will return random values.  
**3:** For best accuracy, the band gap reference circuit should be enabled (ANCON1<7> = 1) at least 10 ms before performing a conversion on this channel.  
**4:** On package types that have AVDD and AVSS pins, these pins should be externally connected to VDD and VSS levels at the circuit board level. Package types that do not have AVDD and AVSS pins, tie AVDD and AVSS to VDD and VSS internally.

## REGISTER 21-2: ADCON1: A/D CONTROL REGISTER 1 (ACCESS FC1h)

|       |       |       |       |       |       |       |       |
|-------|-------|-------|-------|-------|-------|-------|-------|
| R/W-0 | R/W-0 | R/W-0 | R/W-0 | R/W-0 | R/W-0 | R/W-0 | R/W-0 |
| ADFM  | ADCAL | ACQT2 | ACQT1 | ACQT0 | ADCS2 | ADCS1 | ADCS0 |
| bit 7 |       |       |       |       |       |       | bit 0 |

**Legend:**

R = Readable bit                      W = Writable bit                      U = Unimplemented bit, read as '0'  
 -n = Value at POR                      '1' = Bit is set                      '0' = Bit is cleared                      x = Bit is unknown

bit 7      **ADFM:** A/D Result Format Select bit  
           1 = Right justified  
           0 = Left justified

bit 6      **ADCAL:** A/D Calibration bit  
           1 = Calibration is performed on next A/D conversion  
           0 = Normal A/D Converter operation

bit 5-3    **ACQT<2:0>:** A/D Acquisition Time Select bits  
           111 = 20 TAD  
           110 = 16 TAD  
           101 = 12 TAD  
           100 = 8 TAD  
           011 = 6 TAD  
           010 = 4 TAD  
           001 = 2 TAD  
           000 = 0 TAD

bit 2-0    **ADCS<2:0>:** A/D Conversion Clock Select bits  
           110 = FOSC/64  
           101 = FOSC/16  
           100 = FOSC/4  
           011 = FRC (clock derived from A/D RC oscillator)<sup>(1)</sup>  
           010 = FOSC/32  
           001 = FOSC/8  
           000 = FOSC/2

- Note 1:** If the A/D FRC clock source is selected, a delay of one T<sub>CY</sub> (instruction cycle) is added before the A/D clock starts. This allows the SLEEP instruction to be executed before starting a conversion.

# PIC18F46J50 FAMILY

The ANCON0 and ANCON1 registers are used to configure the operation of the I/O pin associated with each analog channel. Setting any one of the PCFG bits configures the corresponding pin to operate as a digital only I/O. Clearing a bit configures the pin to operate as an analog input for either the A/D Converter or the comparator module; all digital peripherals are disabled and digital inputs read as '0'. As a rule, I/O pins that are multiplexed with analog inputs default to analog operation on device Resets.

In order to correctly perform A/D conversions on the VBG band gap reference (ADCON0<5:2> = 1111), the reference circuit must be powered on first. The VBGEN bit in the ANCON1 register allows the firmware to manually

request that the band gap reference circuit should be enabled. For best accuracy, firmware should allow a settling time of at least 10 ms prior to performing the first acquisition on this channel after enabling the band gap reference.

The reference circuit may already have been turned on if some other hardware module (such as the on-chip voltage regulator, comparators or HLVD) has already requested it. In this case, the initial turn-on settling time may have already elapsed and firmware does not need to wait as long before measuring VBG. Once the acquisition is complete, firmware may clear the VBGEN bit, which will save a small amount of power if no other modules are still requesting the VBG reference.

## REGISTER 21-3: ANCON0: A/D PORT CONFIGURATION REGISTER 2 (BANKED F48h)

|                      |                      |                      |       |       |       |       |       |
|----------------------|----------------------|----------------------|-------|-------|-------|-------|-------|
| R/W-0                | R/W-0                | R/W-0                | R/W-0 | R/W-0 | R/W-0 | R/W-0 | R/W-0 |
| PCFG7 <sup>(1)</sup> | PCFG6 <sup>(1)</sup> | PCFG5 <sup>(1)</sup> | PCFG4 | PCFG3 | PCFG2 | PCFG1 | PCFG0 |
| bit 7                |                      |                      |       |       |       |       | bit 0 |

### Legend:

R = Readable bit                      W = Writable bit                      U = Unimplemented bit, read as '0'  
 -n = Value at POR                      '1' = Bit is set                      '0' = Bit is cleared                      x = Bit is unknown

bit 7-0      **PCFG<7:0>**: Analog Port Configuration bits (AN7-AN0)  
                   1 = Pin configured as a digital port  
                   0 = Pin configured as an analog channel – digital input is disabled and reads '0'

**Note 1:** These bits are only available on 44-pin devices.

## REGISTER 21-4: ANCON1: A/D PORT CONFIGURATION REGISTER 1 (BANKED F49h)

|       |     |     |        |        |        |       |       |
|-------|-----|-----|--------|--------|--------|-------|-------|
| R/W-0 | U-0 | U-0 | R/W-0  | R/W-0  | R/W-0  | R/W-0 | R/W-0 |
| VBGEN | r   | —   | PCFG12 | PCFG11 | PCFG10 | PCFG9 | PCFG8 |
| bit 7 |     |     |        |        |        |       | bit 0 |

### Legend:

r = Reserved bit  
 R = Readable bit                      W = Writable bit                      U = Unimplemented bit, read as '0'  
 -n = Value at POR                      '1' = Bit is set                      '0' = Bit is cleared                      x = Bit is unknown

bit 7      **VBGEN**: 1.2V Band Gap Reference Enable bit  
                   1 = 1.2V band gap reference is powered on  
                   0 = 1.2V band gap reference is turned off to save power (if no other modules are requesting it)

bit 6      **Reserved**: Always maintain as '0' for lowest power consumption

bit 5      **Unimplemented**: Read as '0'

bit 4-0      **PCFG<12:8>**: Analog Port Configuration bits (AN12-AN8)  
                   1 = Pin configured as a digital port  
                   0 = Pin configured as an analog channel – digital input is disabled and reads '0'

# PIC18F46J50 FAMILY

The analog reference voltage is software-selectable to either the device's positive and negative supply voltage (AVDD and AVSS), or the voltage level on the RA3/AN3/VREF+/C11NB and RA2/AN2/VREF-/CVREF/C21NB pins.

The A/D Converter has a unique feature of being able to operate while the device is in Sleep mode. To operate in Sleep, the A/D conversion clock must be derived from the A/D's internal RC oscillator.

The output of the sample and hold is the input into the converter, which generates the result via Successive Approximation (SAR).

Each port pin associated with the A/D Converter can be configured as an analog input or as a digital I/O. The ADRESH and ADRESL registers contain the result of the A/D conversion. When the A/D conversion is complete, the result is loaded into the ADRESH:ADRESL register pair, the GO/DONE bit (ADCON0<1>) is cleared and the A/D Interrupt Flag bit, ADIF, is set.

A device Reset forces all registers to their Reset state. This forces the A/D module to be turned off and any conversion in progress is aborted. The value in the ADRESH:ADRESL register pair is not modified for a Power-on Reset (POR). These registers will contain unknown data after a POR.

Figure 21-1 provides the block diagram of the A/D module.

**FIGURE 21-1: A/D BLOCK DIAGRAM**



# PIC18F46J50 FAMILY

After the A/D module has been configured as desired, the selected channel must be acquired before the conversion is started. The analog input channels must have their corresponding TRIS bits selected as an input. To determine acquisition time, see [Section 21.1 “A/D Acquisition Requirements”](#). After this acquisition time has elapsed, the A/D conversion can be started. An acquisition time can be programmed to occur between setting the  $\overline{\text{GO/DONE}}$  bit and the actual start of the conversion.

The following steps should be followed to do an A/D conversion:

1. Configure the A/D module:
  - Configure the required ADC pins as analog pins using ANCON0, ANCON1
  - Set voltage reference using ADCON0
  - Select A/D input channel (ADCON0)
  - Select A/D acquisition time (ADCON1)
  - Select A/D conversion clock (ADCON1)
  - Turn on A/D module (ADCON0)
2. Configure the A/D interrupt (if desired):
  - Clear ADIF bit
  - Set ADIE bit
  - Set GIE bit
3. Wait the required acquisition time (if required).
4. Start conversion:
  - Set  $\overline{\text{GO/DONE}}$  bit (ADCON0<1>)
5. Wait for the A/D conversion to complete, by either:
  - Polling for the  $\overline{\text{GO/DONE}}$  bit to be cleared
  - OR
  - Waiting for the A/D interrupt
6. Read A/D Result registers (ADRESH:ADRESL); clear bit, ADIF, if required.
7. For next conversion, go to Step 1 or Step 2, as required. The A/D conversion time per bit is defined as  $T_{AD}$ . A minimum Wait of 2  $T_{AD}$  is required before the next acquisition starts.

**FIGURE 21-2: ANALOG INPUT MODEL**



# PIC18F46J50 FAMILY

## 21.1 A/D Acquisition Requirements

For the A/D Converter to meet its specified accuracy, the charge holding capacitor (CHOLD) must be allowed to fully charge to the input channel voltage level. The analog input model is illustrated in Figure 21-2. The source impedance (Rs) and the internal sampling switch (Rss) impedance directly affect the time required to charge the capacitor CHOLD. The sampling switch (Rss) impedance varies over the device voltage (VDD). The source impedance affects the offset voltage at the analog input (due to pin leakage current). **The maximum recommended impedance for analog sources is 2.5 kΩ.** After the analog input channel is selected (changed), the channel must be sampled for at least the minimum acquisition time before starting a conversion.

**Note:** When the conversion is started, the holding capacitor is disconnected from the input pin.

To calculate the minimum acquisition time, Equation 21-1 may be used. This equation assumes that 1/2 LSB error is used (1024 steps for the A/D). The 1/2 LSB error is the maximum error allowed for the A/D to meet its specified resolution.

Equation 21-3 provides the calculation of the minimum required acquisition time, TACQ. This calculation is based on the following application system assumptions:

|                  |   |                    |
|------------------|---|--------------------|
| CHOLD            | = | 25 pF              |
| Rs               | = | 2.5 kΩ             |
| Conversion Error | ≤ | 1/2 LSB            |
| VDD              | = | 3V → Rss = 2 kΩ    |
| Temperature      | = | 85°C (system max.) |

### EQUATION 21-1: ACQUISITION TIME

$$\begin{aligned} \text{TACQ} &= \text{Amplifier Settling Time} + \text{Holding Capacitor Charging Time} + \text{Temperature Coefficient} \\ &= \text{TAMP} + \text{TC} + \text{TCOFF} \end{aligned}$$

### EQUATION 21-2: A/D MINIMUM CHARGING TIME

$$\begin{aligned} \text{V}_{\text{HOLD}} &= (\text{V}_{\text{REF}} - (\text{V}_{\text{REF}}/2048)) \cdot (1 - e^{-(\text{TC}/\text{CHOLD})(\text{RIC} + \text{RSS} + \text{RS})}) \\ \text{or} \\ \text{TC} &= -(\text{CHOLD})(\text{RIC} + \text{RSS} + \text{RS}) \ln(1/2048) \end{aligned}$$

### EQUATION 21-3: CALCULATING THE MINIMUM REQUIRED ACQUISITION TIME

$$\begin{aligned} \text{TACQ} &= \text{TAMP} + \text{TC} + \text{TCOFF} \\ \text{TAMP} &= 0.2 \mu\text{s} \\ \text{TCOFF} &= (\text{Temp} - 25^\circ\text{C})(0.02 \mu\text{s}/^\circ\text{C}) \\ &= (85^\circ\text{C} - 25^\circ\text{C})(0.02 \mu\text{s}/^\circ\text{C}) \\ &= 1.2 \mu\text{s} \end{aligned}$$

Temperature coefficient is only required for temperatures > 25°C. Below 25°C, TCOFF = 0 μs.

$$\begin{aligned} \text{TC} &= -(\text{CHOLD})(\text{RIC} + \text{RSS} + \text{RS}) \ln(1/2048) \mu\text{s} \\ &= -(25 \text{ pF})(1 \text{ k}\Omega + 2 \text{ k}\Omega + 2.5 \text{ k}\Omega) \ln(0.0004883) \mu\text{s} \\ &= 1.05 \mu\text{s} \\ \text{TACQ} &= 0.2 \mu\text{s} + 1.05 \mu\text{s} + 1.2 \mu\text{s} \\ &= 2.45 \mu\text{s} \end{aligned}$$



## 21.2 Selecting and Configuring Automatic Acquisition Time

The ADCON1 register allows the user to select an acquisition time that occurs each time the GO/DONE bit is set.

When the GO/DONE bit is set, sampling is stopped and a conversion begins. The user is responsible for ensuring the required acquisition time has passed between selecting the desired input channel and setting the GO/DONE bit. This occurs when the ACQT<2:0> bits (ADCON1<5:3>) remain in their Reset state ('000') and is compatible with devices that do not offer programmable acquisition times.

If desired, the ACQT bits can be set to select a programmable acquisition time for the A/D module. When the GO/DONE bit is set, the A/D module continues to sample the input for the selected acquisition time, then automatically begins a conversion. Since the acquisition time is programmed, there may be no need to wait for an acquisition time between selecting a channel and setting the GO/DONE bit.

In either case, when the conversion is completed, the GO/DONE bit is cleared, the ADIF flag is set and the A/D begins sampling the currently selected channel again. If an acquisition time is programmed, there is nothing to indicate if the acquisition time has ended or if the conversion has begun.

## 21.3 Selecting the A/D Conversion Clock

The A/D conversion time per bit is defined as TAD. The A/D conversion requires 11 TAD per 10-bit conversion. The source of the A/D conversion clock is software-selectable.

There are seven possible options for TAD:

- 2 TOSC
- 4 TOSC
- 8 TOSC
- 16 TOSC
- 32 TOSC
- 64 TOSC
- Internal RC Oscillator

For correct A/D conversions, the A/D conversion clock (TAD) must be as short as possible but greater than the minimum TAD (see Parameter 130 in [Table 30-32](#) for more information).

[Table 21-1](#) provides the resultant TAD times derived from the device operating frequencies and the A/D clock source selected.

**TABLE 21-1: TAD vs. DEVICE OPERATING FREQUENCIES**

| AD Clock Source (TAD) |           | Maximum Device Frequency |
|-----------------------|-----------|--------------------------|
| Operation             | ADCS<2:0> |                          |
| 2 TOSC                | 000       | 2.86 MHz                 |
| 4 TOSC                | 100       | 5.71 MHz                 |
| 8 TOSC                | 001       | 11.43 MHz                |
| 16 TOSC               | 101       | 22.86 MHz                |
| 32 TOSC               | 010       | 45.71 MHz                |
| 64 TOSC               | 110       | 48.0 MHz                 |
| RC <sup>(2)</sup>     | 011       | 1.00 MHz <sup>(1)</sup>  |

- Note 1:** The RC source has a typical TAD time of 4  $\mu$ s.
- 2:** For device frequencies above 1 MHz, the device must be in Sleep mode for the entire conversion or the A/D accuracy may be out of specification.

## 21.4 Configuring Analog Port Pins

The ANCON0, ANCON1 and TRISA registers control the operation of the A/D port pins. The port pins needed as analog inputs must have their corresponding TRIS bits set (input). If the TRIS bit is cleared (output), the digital output level (VOH or VOL) will be converted.

The A/D operation is independent of the state of the CHS<3:0> bits and the TRIS bits.

- Note 1:** When reading the PORT register, all pins configured as analog input channels will read as cleared (a low level). Pins configured as digital inputs will convert an analog input. Analog levels on a digitally configured input will be accurately converted.
- 2:** Analog levels on any pin defined as a digital input may cause the digital input buffer to consume current out of the device's specification limits.

# PIC18F46J50 FAMILY

## 21.5 A/D Conversions

Figure 21-3 displays the operation of the A/D Converter after the  $\overline{\text{GO/DONE}}$  bit has been set and the  $\text{ACQT}<2:0>$  bits are cleared. A conversion is started after the following instruction to allow entry into Sleep mode before the conversion begins.

Figure 21-4 displays the operation of the A/D Converter after the  $\overline{\text{GO/DONE}}$  bit has been set, the  $\text{ACQT}<2:0>$  bits are set to '010' and selecting a 4 TAD acquisition time before the conversion starts.

Clearing the  $\overline{\text{GO/DONE}}$  bit during a conversion will abort the current conversion. The A/D Result register pair will NOT be updated with the partially completed A/D conversion sample. This means the  $\text{ADRESH:ADRESL}$  registers will continue to contain the value of the last completed conversion (or the last value written to the  $\text{ADRESH:ADRESL}$  registers).

After the A/D conversion is completed or aborted, a 2 TAD Wait is required before the next acquisition can be started. After this Wait, acquisition on the selected channel is automatically started.

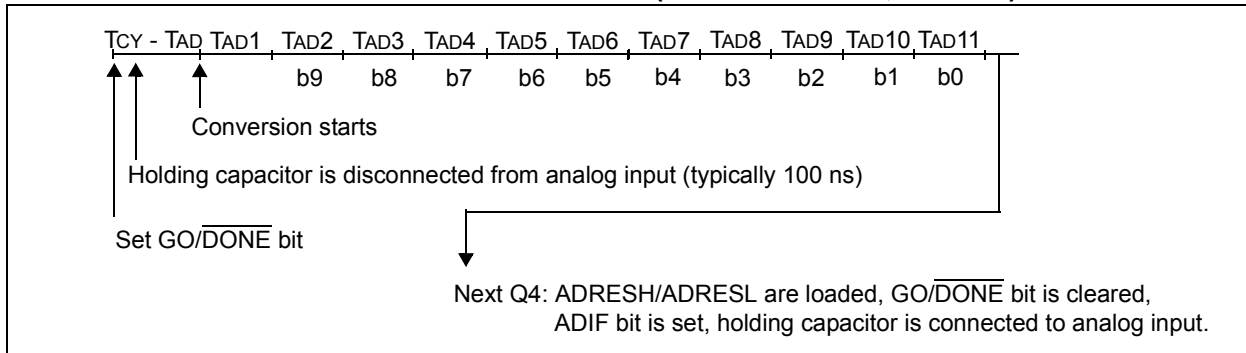
**Note:** The  $\overline{\text{GO/DONE}}$  bit should **NOT** be set in the same instruction that turns on the A/D.

## 21.6 Use of the ECCP2 Trigger

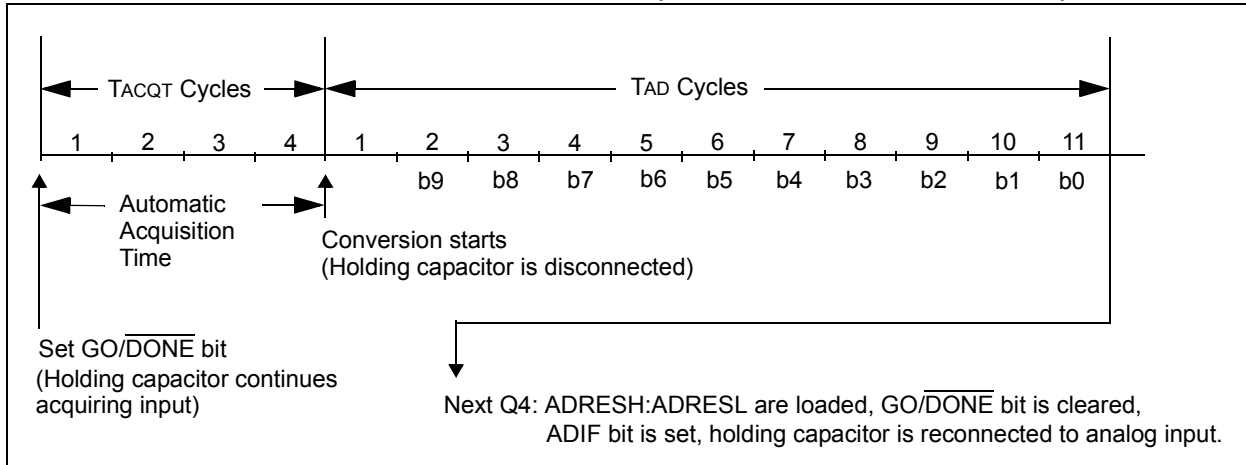
An A/D conversion can be started by the Special Event Trigger of the ECCP2 module. This requires that the  $\text{CCP2M}<3:0>$  bits ( $\text{CCP2CON}<3:0>$ ) be programmed as '1011' and that the A/D module is enabled ( $\text{ADON}$  bit is set). When the trigger occurs, the  $\overline{\text{GO/DONE}}$  bit will be set, starting the A/D acquisition and conversion, and the Timer1 (or Timer3) counter will be reset to zero. Timer1 (or Timer3) is reset to automatically repeat the A/D acquisition period with minimal software overhead (moving  $\text{ADRESH/ADRESL}$  to the desired location). The appropriate analog input channel must be selected and the minimum acquisition period is either timed by the user, or an appropriate  $\text{TACQ}$  time is selected before the Special Event Trigger sets the  $\overline{\text{GO/DONE}}$  bit (starts a conversion).

If the A/D module is not enabled ( $\text{ADON}$  is cleared), the Special Event Trigger will be ignored by the A/D module but will still reset the Timer1 (or Timer3) counter.

**FIGURE 21-3: A/D CONVERSION TAD CYCLES ( $\text{ACQT}<2:0> = 000, \text{TACQ} = 0$ )**



**FIGURE 21-4: A/D CONVERSION TAD CYCLES ( $\text{ACQT}<2:0> = 010, \text{TACQ} = 4 \text{TAD}$ )**



## 21.7 A/D Converter Calibration

The A/D Converter in the PIC18F46J50 family of devices includes a self-calibration feature, which compensates for any offset generated within the module. The calibration process is automated and is initiated by setting the ADCAL bit (ADCON1<6>). The next time the GO/DONE bit is set, the module will perform a “dummy” conversion (that is, with reading none of the input channels) and store the resulting value internally to compensate for the offset. Thus, subsequent offsets will be compensated.

[Example 21-1](#) provides an example of a calibration routine.

The calibration process assumes that the device is in a relatively steady-state operating condition. If A/D calibration is used, it should be performed after each device Reset or if there are other major changes in operating conditions.

## 21.8 Operation in Power-Managed Modes

The selection of the automatic acquisition time and A/D conversion clock is determined, in part, by the clock source and frequency while in a power-managed mode.

If the A/D is expected to operate while the device is in a power-managed mode, the ACQT<2:0> and ADCS<2:0> bits in ADCON1 should be updated in accordance with the power-managed mode clock that will be used. After the power-managed mode is entered (either of the power-managed Run modes), an A/D acquisition or conversion may be started. Once an acquisition or conversion is started, the device should continue to be clocked by the same power-managed mode clock source until the conversion has been completed. If desired, the device may be placed into the corresponding power-managed Idle mode during the conversion.

If the power-managed mode clock frequency is less than 1 MHz, the A/D RC clock source should be selected.

Operation in Sleep mode requires the A/D RC clock to be selected. If bits, ACQT<2:0>, are set to '000' and a conversion is started, the conversion will be delayed one instruction cycle to allow execution of the SLEEP instruction and entry to Sleep mode. The IDLEN and SCS bits in the OSCCON register must have already been cleared prior to starting the conversion.

### EXAMPLE 21-1: SAMPLE A/D CALIBRATION ROUTINE

```
BCF    ANCON0,PCFG0    ;Make Channel 0 analog
BSF    ADCON0,ADON     ;Enable A/D module
BSF    ADCON1,ADCAL    ;Enable Calibration
BSF    ADCON0,GO       ;Start a dummy A/D conversion
CALIBRATION
      ;
BTFSC  ADCON0,GO       ;Wait for the dummy conversion to finish
BRA    CALIBRATION     ;
BCF    ADCON1,ADCAL    ;Calibration done, turn off calibration enable
      ;Proceed with the actual A/D conversion
```

# PIC18F46J50 FAMILY

**TABLE 21-2: SUMMARY OF A/D REGISTERS**

| Name    | Bit 7                         | Bit 6                | Bit 5                | Bit 4  | Bit 3  | Bit 2  | Bit 1   | Bit 0  | Reset Values on Page: |
|---------|-------------------------------|----------------------|----------------------|--------|--------|--------|---------|--------|-----------------------|
| INTCON  | GIE/GIEH                      | PEIE/GIEL            | TMR0IE               | INT0IE | RBIE   | TMR0IF | INT0IF  | RBIF   | 69                    |
| PIR1    | PMPIF <sup>(1)</sup>          | ADIF                 | RC1IF                | TX1IF  | SSP1IF | CCP1IF | TMR2IF  | TMR1IF | 72                    |
| PIE1    | PMPIE <sup>(1)</sup>          | ADIE                 | RC1IE                | TX1IE  | SSP1IE | CCP1IE | TMR2IE  | TMR1IE | 72                    |
| IPR1    | PMPIP <sup>(1)</sup>          | ADIP                 | RC1IP                | TX1IP  | SSP1IP | CCP1IP | TMR2IP  | TMR1IP | 72                    |
| PIR2    | OSCFIF                        | CM2IF                | CM1IF                | USBIF  | BCL1IF | HLVDIF | TMR3IF  | CCP2IF | 72                    |
| PIE2    | OSCFIE                        | CM2IE                | CM1IE                | USBIE  | BCL1IE | HLVDIE | TMR3IE  | CCP2IE | 72                    |
| IPR2    | OSCFIP                        | CM2IP                | CM1IP                | USBIP  | BCL1IP | HLVDIP | TMR3IP  | CCP2IP | 72                    |
| ADRESH  | A/D Result Register High Byte |                      |                      |        |        |        |         |        | 70                    |
| ADRESL  | A/D Result Register Low Byte  |                      |                      |        |        |        |         |        | 70                    |
| ADCON0  | VCFG1                         | VCFG0                | CHS3                 | CHS3   | CHS1   | CHS0   | GO/DONE | ADON   | 70                    |
| ANCON0  | PCFG7 <sup>(1)</sup>          | PCFG6 <sup>(1)</sup> | PCFG5 <sup>(1)</sup> | PCFG4  | PCFG3  | PCFG2  | PCFG1   | PCFG0  | 74                    |
| ADCON1  | ADFM                          | ADCAL                | ACQT2                | ACQT1  | ACQT0  | ADCS2  | ADCS1   | ADCS0  | 70                    |
| ANCON1  | VBGEN                         | r                    | —                    | PCFG12 | PCFG11 | PCFG10 | PCFG9   | PCFG8  | 74                    |
| CCP2CON | P2M1                          | P2M0                 | DC2B1                | DC2B0  | CCP2M3 | CCP2M2 | CCP2M1  | CCP2M0 | 71                    |
| PORTA   | RA7                           | RA6                  | RA5                  | —      | RA3    | RA2    | RA1     | RA0    | 72                    |
| TRISA   | TRISA7                        | TRISA6               | TRISA5               | —      | TRISA3 | TRISA2 | TRISA1  | TRISA0 | 72                    |

**Legend:** — = unimplemented, read as '0', r = reserved. Shaded cells are not used for A/D conversion.

**Note 1:** These bits are only available on 44-pin devices.

## 22.0 UNIVERSAL SERIAL BUS (USB)

This section describes the details of the USB peripheral. Because of the very specific nature of the module, knowledge of USB is expected. Some high-level USB information is provided in [Section 22.9 “Overview of USB”](#) only for application design reference. Designers are encouraged to refer to the official specification published by the USB Implementers Forum (USB-IF) for the latest information. “*USB Specification Revision 2.0*” is the most current specification at the time of publication of this document.

## 22.1 Overview of the USB Peripheral

PIC18F46J50 family devices contain a full-speed and low-speed, compatible USB Serial Interface Engine (SIE) that allows fast communication between any USB host and the PIC<sup>®</sup> MCU. The SIE can be interfaced directly to the USB, utilizing the internal transceiver.

Some special hardware features have been included to improve performance. Dual access port memory in the device’s data memory space (USB RAM) has been supplied to share direct memory access between the microcontroller core and the SIE. Buffer descriptors are also provided, allowing users to freely program endpoint memory usage within the USB RAM space. [Figure 22-1](#) provides a general overview of the USB peripheral and its features.

**FIGURE 22-1: USB PERIPHERAL AND OPTIONS**



# PIC18F46J50 FAMILY

---

## 22.2 USB Status and Control

The operation of the USB module is configured and managed through three control registers. In addition, a total of 22 registers are used to manage the actual USB transactions. The registers are:

- USB Control register (UCON)
- USB Configuration register (UCFG)
- USB Transfer Status register (USTAT)
- USB Device Address register (UADDR)
- Frame Number registers (UFRMH:UFRML)
- Endpoint Enable registers 0 through 15 (UEPn)

### 22.2.1 USB CONTROL REGISTER (UCON)

The USB Control register ([Register 22-1](#)) contains the bits needed to control the module behavior during transfers. The register contains bits that control the following:

- Main USB Peripheral Enable
- Ping-Pong Buffer Pointer Reset
- Control of the Suspend mode
- Packet Transfer Disable

In addition, the USB Control register contains a status bit, SE0 (UCON<5>), which is used to indicate the occurrence of a single-ended zero on the bus. When

the USB module is enabled, this bit should be monitored to determine whether the differential data lines have come out of a single-ended zero condition. This helps to differentiate the initial power-up state from the USB Reset signal.

The overall operation of the USB module is controlled by the USBEN bit (UCON<3>). Setting this bit activates the module and resets all of the PPBI bits in the Buffer Descriptor Table (BDT) to '0'. This bit also activates the internal pull-up resistors, if they are enabled. Thus, this bit can be used as a soft attach/detach to the USB. Although all status and control bits are ignored when this bit is clear, the module needs to be fully preconfigured prior to setting this bit. The USB clock source should have been already configured for the correct frequency and running. If the PLL is being used, it should be enabled at least 2 ms (enough time for the PLL to lock) before attempting to set the USBEN bit.

|   |
|---|
| <b>Note:</b> When disabling the USB module, make sure the SUSPND bit (UCON<1>) is clear prior to clearing the USBEN bit. Clearing the USBEN bit when the module is in the suspended state may prevent the module from fully powering down |
|---|

# PIC18F46J50 FAMILY

## REGISTER 22-1: UCON: USB CONTROL REGISTER (ACCESS F65h)

| U-0   | R/W-0  | R-x | R/C-0  | R/W-0                | R/W-0  | R/W-0  | U-0   |
|-------|--------|-----|--------|----------------------|--------|--------|-------|
| —     | PPBRST | SE0 | PKTDIS | USBEN <sup>(1)</sup> | RESUME | SUSPND | —     |
| bit 7 |        |     |        |                      |        |        | bit 0 |

|                   |                   |                                    |                    |
|-------------------|-------------------|------------------------------------|--------------------|
| <b>Legend:</b>    | C = Clearable bit |                                    |                    |
| R = Readable bit  | W = Writable bit  | U = Unimplemented bit, read as '0' |                    |
| -n = Value at POR | '1' = Bit is set  | '0' = Bit is cleared               | x = Bit is unknown |

|       |   |
|-------|---|
| bit 7 | <b>Unimplemented:</b> Read as '0'   |
| bit 6 | <b>PPBRST:</b> Ping-Pong Buffers Reset bit<br>1 = Reset all Ping-Pong Buffer Pointers to the Even Buffer Descriptor (BD) banks<br>0 = Ping-Pong Buffer Pointers are not being reset   |
| bit 5 | <b>SE0:</b> Live Single-Ended Zero Flag bit<br>1 = Single-ended zero is active on the USB bus<br>0 = No single-ended zero is detected   |
| bit 4 | <b>PKTDIS:</b> Packet Transfer Disable bit<br>1 = SIE token and packet processing are disabled, automatically set when a SETUP token is received<br>0 = SIE token and packet processing are enabled                                   |
| bit 3 | <b>USBEN:</b> USB Module Enable bit <sup>(1)</sup><br>1 = USB module and supporting circuitry are enabled (device attached)<br>0 = USB module and supporting circuitry are disabled (device detached)                                 |
| bit 2 | <b>RESUME:</b> Resume Signaling Enable bit<br>1 = Resume signaling is activated<br>0 = Resume signaling is disabled   |
| bit 1 | <b>SUSPND:</b> Suspend USB bit<br>1 = USB module and supporting circuitry are in Power Conserve mode, SIE clock is inactive<br>0 = USB module and supporting circuitry are in normal operation, SIE is clocked at the configured rate |
| bit 0 | <b>Unimplemented:</b> Read as '0'   |

**Note 1:** Make sure the USB clock source is correctly configured before setting this bit.

# PIC18F46J50 FAMILY

The PPBRST bit (UCON<6>) controls the Reset status when Double-Buffering mode (ping-pong buffering) is used. When the PPBRST bit is set, all Ping-Pong Buffer Pointers are set to the Even buffers. PPBRST has to be cleared by firmware. This bit is ignored in buffering modes not using ping-pong buffering.

The PKTDIS bit (UCON<4>) is a flag indicating that the SIE has disabled packet transmission and reception. This bit is set by the SIE when a SETUP token is received to allow setup processing. This bit cannot be set by the microcontroller, only cleared; clearing it allows the SIE to continue transmission and/or reception. Any pending events within the Buffer Descriptor Table will still be available, indicated within the USTAT register's FIFO buffer.

The RESUME bit (UCON<2>) allows the peripheral to perform a remote wake-up by executing resume signaling. To generate a valid remote wake-up, firmware must set RESUME for 10 ms and then clear the bit. For more information on resume signaling, see **Sections 7.1.7.5, 11.4.4 and 11.9** in the “*USB 2.0 Specification*”.

The SUSPND bit (UCON<1>) places the module and supporting circuitry in a low-power mode. The input clock to the SIE is also disabled. This bit should be set by the software in response to an IDLEIF interrupt. It should be reset by the microcontroller firmware after an ACTVIF interrupt is observed. When this bit is active, the device remains attached to the bus, but the transceiver outputs remain Idle. The voltage on the VUSB pin may vary depending on the value of this bit. Setting this bit, before a IDLEIF request, will result in unpredictable bus behavior.

**Note:** While in Suspend mode, a typical bus-powered USB device is limited to 2.5 mA of average current. This is the complete current which may be drawn by the PIC device and its supporting circuitry. Care should be taken to assure minimum current draw when the device enters Suspend mode.

## 22.2.2 USB CONFIGURATION REGISTER (UCFG)

Prior to communicating over USB, the module's associated internal and/or external hardware must be configured. Most of the configuration is performed with the UCFG register ([Register 22-2](#)). The UCFG register contains most of the bits that control the system level behavior of the USB module. These include:

- Bus Speed (full speed versus low speed)
- On-Chip Pull-up Resistor Enable
- On-Chip Transceiver Enable
- Ping-Pong Buffer Usage

The UCFG register also contains two bits which aid in module testing, debugging and USB certifications. These bits control output enable state monitoring and eye pattern generation.

**Note:** The USB speed, transceiver and pull-up should only be configured during the module setup phase. It is not recommended to switch these settings while the module is enabled.

### 22.2.2.1 Internal Transceiver

The USB peripheral has a built-in, USB 2.0, full-speed and low-speed capable transceiver, internally connected to the SIE. This feature is useful for low-cost, single chip applications. The UTRDIS bit (UCFG<3>) controls the transceiver; it is enabled by default (UTRDIS = 0). The FSEN bit (UCFG<2>) controls the transceiver speed; setting the bit enables full-speed operation.

The on-chip USB pull-up resistors are controlled by the UPUEN bit (UCFG<4>). They can only be selected when the on-chip transceiver is enabled.

The internal USB transceiver obtains power from the VUSB pin. In order to meet USB signalling level specifications, VUSB must be supplied with a voltage source between 3.0V and 3.6V. The best electrical signal quality is obtained when a 3.3V supply is used and locally bypassed with a high-quality ceramic capacitor (ex: 0.1  $\mu$ F). The capacitor should be placed as close as possible to the VUSB and VSS pins.

VUSB should always be maintained  $\geq$  VDD. If the USB module is not used, but RC4 or RC5 are used as general purpose inputs, VUSB should still be connected to a power source (such as VDD). The input thresholds for the RC4 and RC5 pins are dependent upon the VUSB supply level.

The D+ and D- signal lines can be routed directly to their respective pins on the USB connector or cable (for hard-wired applications). No additional resistors, capacitors or magnetic components are required as the D+ and D- drivers have controlled slew rate and output impedance, intended to match with the characteristic impedance of the USB cable.

In order to achieve optimum USB signal quality, the D+ and D- traces between the microcontroller and USB connector (or cable) should be less than 19 cm long. Both traces should be equal in length and they should be routed parallel to each other. Ideally, these traces should be designed to have a characteristic impedance matching that of the USB cable.



# PIC18F46J50 FAMILY

## REGISTER 22-2: UCFG: USB CONFIGURATION REGISTER (BANKED F39h)

|       |        |     |                        |                         |                     |       |       |
|-------|--------|-----|------------------------|-------------------------|---------------------|-------|-------|
| R/W-0 | R/W-0  | U-0 | R/W-0                  | R/W-0                   | R/W-0               | R/W-0 | R/W-0 |
| UTEYE | UOEMON | —   | UPUEN <sup>(1,2)</sup> | UTRDIS <sup>(1,3)</sup> | FSEN <sup>(1)</sup> | PPB1  | PPB0  |
| bit 7 |        |     |                        |                         |                     |       | bit 0 |

### Legend:

R = Readable bit  
-n = Value at POR

W = Writable bit  
'1' = Bit is set

U = Unimplemented bit, read as '0'  
'0' = Bit is cleared  
x = Bit is unknown

- bit 7      **UTEYE:** USB Eye Pattern Test Enable bit  
1 = Eye pattern test is enabled  
0 = Eye pattern test is disabled
- bit 6      **UOEMON:** USB OE Monitor Enable bit  
1 =  $\overline{\text{UOE}}$  signal is active, indicating intervals during which the D+/D- lines are driving  
0 =  $\overline{\text{UOE}}$  signal is inactive
- bit 5      **Unimplemented:** Read as '0'
- bit 4      **UPUEN:** USB On-Chip Pull-up Enable bit<sup>(1,2)</sup>  
1 = On-chip pull-up is enabled (pull-up on D+ with FSEN = 1 or D- with FSEN = 0)  
0 = On-chip pull-up is disabled
- bit 3      **UTRDIS:** On-Chip Transceiver Disable bit<sup>(1,3)</sup>  
1 = On-chip transceiver is disabled  
0 = On-chip transceiver is active
- bit 2      **FSEN:** Full-Speed Enable bit<sup>(1)</sup>  
1 = Full-speed device: controls transceiver edge rates; requires input clock at 48 MHz  
0 = Low-speed device: controls transceiver edge rates; requires input clock at 6 MHz
- bit 1-0    **PPB<1:0>:** Ping-Pong Buffers Configuration bits  
11 = Even/Odd ping-pong buffers are enabled for Endpoints 1 to 15  
10 = Even/Odd ping-pong buffers are enabled for all endpoints  
01 = Even/Odd ping-pong buffer are enabled for OUT Endpoint 0  
00 = Even/Odd ping-pong buffers are disabled

- Note 1:** The UPUEN, UTRDIS and FSEN bits should never be changed while the USB module is enabled. These values must be preconfigured prior to enabling the module.
- 2:** This bit is only valid when the on-chip transceiver is active (UTRDIS = 0); otherwise, it is ignored.
- 3:** If UTRDIS is set, the  $\overline{\text{UOE}}$  signal will be active, independent of the UOEMON bit setting.

# PIC18F46J50 FAMILY

## 22.2.2.2 Internal Pull-up Resistors

The PIC18F46J50 family devices have built-in pull-up resistors designed to meet the requirements for low-speed and full-speed USB. The UPUEN bit (UCFG<4>) enables the internal pull-ups. [Figure 22-1](#) shows the pull-ups and their control.

**Note:** A compliant USB device should never source any current onto the +5V VBUS line of the USB cable. Additionally, USB devices should not source any current on the D+ and D- data lines whenever the +5V VBUS line is less than 1.17V. In order to be USB compliant, applications which are not purely bus-powered should monitor the VBUS line and avoid turning on the USB module and the D+ or D- pull-up resistor until VBUS is greater than 1.17V. VBUS can be connected to, and monitored, by a 5V tolerant I/O pin, or if a resistive divider is used, by an analog capable pin.

## 22.2.2.3 External Pull-up Resistors

External pull-ups may also be used. The VUSB pin may be used to pull up D+ or D-. The pull-up resistor must be 1.5 k $\Omega$  ( $\pm 5\%$ ) as required by the USB specifications.

[Figure 22-2](#) provides an example of external circuitry.

**FIGURE 22-2: EXTERNAL CIRCUITRY**



## 22.2.2.4 Ping-Pong Buffer Configuration

The usage of ping-pong buffers is configured using the PPB<1:0> bits. Refer to [Section 22.4.4 “Ping-Pong Buffering”](#) for a complete explanation of the ping-pong buffers.

## 22.2.2.5 Eye Pattern Test Enable

An automatic eye pattern test can be generated by the module when the UCFGE bit is set. The eye pattern output will be observable based on module settings, meaning that the user is first responsible for configuring the SIE clock settings, pull-up resistor and Transceiver mode. In addition, the module has to be enabled.

Once UTEYE is set, the module emulates a switch from a receive to transmit state and will start transmitting a J-K-J-K bit sequence (K-J-K-J for full speed). The sequence will be repeated indefinitely while the Eye Pattern Test mode is enabled.

Note that this bit should never be set while the module is connected to an actual USB system. This Test mode is intended for board verification to aid with USB certification tests. It is intended to show a system developer the noise integrity of the USB signals which can be affected by board traces, impedance mismatches and proximity to other system components. It does not properly test the transition from a receive to a transmit state. Although the eye pattern is not meant to replace the more complex USB certification test, it should aid during first order system debugging.

# PIC18F46J50 FAMILY

## 22.2.3 USB STATUS REGISTER (USTAT)

The USB Status register reports the transaction status within the SIE. When the SIE issues a USB transfer complete interrupt, USTAT should be read to determine the status of the transfer. USTAT contains the transfer endpoint number, direction and Ping-Pong Buffer Pointer value (if used).

**Note:** The data in the USB Status register is valid only when the TRNIF interrupt flag is asserted.

The USTAT register is actually a read window into a four-byte status FIFO, maintained by the SIE. It allows the microcontroller to process one transfer while the SIE processes additional endpoints (Figure 22-3). When the SIE completes using a buffer for reading or writing data, it updates the USTAT register. If another USB transfer is performed before a transaction complete interrupt is serviced, the SIE will store the status of the next transfer into the status FIFO.

Clearing the Transfer Complete Flag bit, TRNIF, causes the SIE to advance the FIFO. If the next data in the FIFO holding register is valid, the SIE will reassert the interrupt within 5 T<sub>cy</sub> of clearing TRNIF. If no additional data is present, TRNIF will remain clear and USTAT data will no longer be reliable.

**Note:** If an endpoint request is received while the USTAT FIFO is full, the SIE will automatically issue a NAK back to the host.

**FIGURE 22-3: USTAT FIFO**



**REGISTER 22-3: USTAT: USB STATUS REGISTER (ACCESS F64h)**

|       |       |       |       |       |     |                     |       |
|-------|-------|-------|-------|-------|-----|---------------------|-------|
| U-0   | R-x   | R-x   | R-x   | R-x   | R-x | R-x                 | U-0   |
| —     | ENDP3 | ENDP2 | ENDP1 | ENDP0 | DIR | PPBI <sup>(1)</sup> | —     |
| bit 7 |       |       |       |       |     |                     | bit 0 |

**Legend:**

|                   |                  |                                    |
|-------------------|------------------|------------------------------------|
| R = Readable bit  | W = Writable bit | U = Unimplemented bit, read as '0' |
| -n = Value at POR | '1' = Bit is set | '0' = Bit is cleared               |
|                   |                  | x = Bit is unknown                 |

- bit 7      **Unimplemented:** Read as '0'
- bit 6-3    **ENDP<3:0>:** Encoded Number of Last Endpoint Activity bits  
(represents the number of the BDT updated by the last USB transfer)
  - 1111 = Endpoint 15
  - 1110 = Endpoint 14
  - .
  - .
  - .
  - 0001 = Endpoint 1
  - 0000 = Endpoint 0
- bit 2      **DIR:** Last BD Direction Indicator bit
  - 1 = The last transaction was an IN token
  - 0 = The last transaction was an OUT or SETUP token
- bit 1      **PPBI:** Ping-Pong BD Pointer Indicator bit<sup>(1)</sup>
  - 1 = The last transaction was to the Odd BD bank
  - 0 = The last transaction was to the Even BD bank
- bit 0      **Unimplemented:** Read as '0'

**Note 1:** This bit is only valid for endpoints with available Even and Odd BD registers.

# PIC18F46J50 FAMILY

## 22.2.4 USB ENDPOINT CONTROL

Each of the 16 possible bidirectional endpoints has its own independent control register, UEP<sub>n</sub> (where 'n' represents the endpoint number). Each register has an identical complement of control bits. [Register 22-4](#) provides the prototype.

The EPHSHK bit (UEP<sub>n</sub><4>) controls handshaking for the endpoint. Setting this bit enables USB handshaking. Typically, this bit is always set except when using isochronous endpoints.

The EPCONDIS bit (UEP<sub>n</sub><3>) is used to enable or disable USB control operations (SETUP) through the endpoint. Clearing this bit enables SETUP transactions. Note that the corresponding EPINEN and EPOUTEN bits must be set to enable IN and OUT

transactions. For Endpoint 0, this bit should always be cleared since the USB specifications identify Endpoint 0 as the default control endpoint.

The EPOUTEN bit (UEP<sub>n</sub><2>) is used to enable or disable USB OUT transactions from the host. Setting this bit enables OUT transactions. Similarly, the EPINEN bit (UEP<sub>n</sub><1>) enables or disables USB IN transactions from the host.

The EPSTALL bit (UEP<sub>n</sub><0>) is used to indicate a STALL condition for the endpoint. If a STALL is issued on a particular endpoint, the EPSTALL bit for that endpoint pair will be set by the SIE. This bit remains set until it is cleared through firmware or until the SIE is reset.

**REGISTER 22-4: UEP<sub>n</sub>: USB ENDPOINT n CONTROL REGISTER (UEP0 THROUGH UEP15) (BANKED F26h-F35h)**

|       |     |     |        |          |         |        |         |       |
|-------|-----|-----|--------|----------|---------|--------|---------|-------|
| U-0   | U-0 | U-0 | R/W-0  | R/W-0    | R/W-0   | R/W-0  | R/W-0   |       |
| —     | —   | —   | EPHSHK | EPCONDIS | EPOUTEN | EPINEN | EPSTALL |       |
| bit 7 |     |     |        |          |         |        |         | bit 0 |

**Legend:**

R = Readable bit                      W = Writable bit                      U = Unimplemented bit, read as '0'  
 -n = Value at POR                      '1' = Bit is set                      '0' = Bit is cleared                      x = Bit is unknown

- bit 7-5            **Unimplemented:** Read as '0'
- bit 4            **EPHSHK:** Endpoint Handshake Enable bit
  - 1 = Endpoint handshake is enabled
  - 0 = Endpoint handshake is disabled (typically used for isochronous endpoints)
- bit 3            **EPCONDIS:** Bidirectional Endpoint Control bit
  - If EPOUTEN = 1 and EPINEN = 1:
  - 1 = Disable Endpoint n from control transfers; only IN and OUT transfers are allowed
  - 0 = Enable Endpoint n for control (SETUP) transfers; IN and OUT transfers are also allowed
- bit 2            **EPOUTEN:** Endpoint Output Enable bit
  - 1 = Endpoint n output is enabled
  - 0 = Endpoint n output is disabled
- bit 1            **EPINEN:** Endpoint Input Enable bit
  - 1 = Endpoint n input is enabled
  - 0 = Endpoint n input is disabled
- bit 0            **EPSTALL:** Endpoint Stall Indicator bit
  - 1 = Endpoint n has issued one or more STALL packets
  - 0 = Endpoint n has not issued any STALL packets

## 22.2.5 USB ADDRESS REGISTER (UADDR)

The USB Address register contains the unique USB address that the peripheral will decode when active. UADDR is reset to 00h when a USB Reset is received, indicated by URSTIF, or when a Reset is received from the microcontroller. The USB address must be written by the microcontroller during the USB setup phase (enumeration) as part of the Microchip USB firmware support.

## 22.2.6 USB FRAME NUMBER REGISTERS (UFRMH:UFRML)

The Frame Number registers contain the 11-bit frame number. The low-order byte is contained in UFRML, while the three high-order bits are contained in UFRMH. The register pair is updated with the current frame number whenever a SOF token is received. For the microcontroller, these registers are read-only. The Frame Number registers are primarily used for isochronous transfers. The contents of the UFRMH and UFRML registers are only valid when the 48 MHz SIE clock is active (i.e., contents are inaccurate when the SUSPND (UCON<1>) bit = 1).

## 22.3 USB RAM

USB data moves between the microcontroller core and the SIE through a memory space known as the USB RAM. This is a special dual access memory that is mapped into the normal data memory space in Banks 0 through 14 (00h to EBFh) for a total of 3.8 Kbytes (Figure 22-4).

Bank 4 (400h through 4FFh) is used specifically for endpoint buffer control, while Banks 0 through 3 and Banks 5 through 14 are available for USB data. Depending on the type of buffering being used, all but 8 bytes of Bank 4 may also be available for use as USB buffer space.

Although USB RAM is available to the microcontroller as data memory, the sections that are being accessed by the SIE should not be accessed by the microcontroller. A semaphore mechanism is used to determine the access to a particular buffer at any given time. This is discussed in [Section 22.4.1.1 “Buffer Ownership”](#).

**FIGURE 22-4: IMPLEMENTATION OF USB RAM IN DATA MEMORY SPACE**



# PIC18F46J50 FAMILY

## 22.4 Buffer Descriptors and the Buffer Descriptor Table

The registers in Bank 4 are used specifically for endpoint buffer control in a structure known as the Buffer Descriptor Table (BDT). This provides a flexible method for users to construct and control endpoint buffers of various lengths and configuration.

The BDT is composed of Buffer Descriptors (BD) which are used to define and control the actual buffers in the USB RAM space. Each BD, in turn, consists of four registers, where n represents one of the 64 possible BDs (range of 0 to 63):

- BDnSTAT: BD Status register
- BDnCNT: BD Byte Count register
- BDnADRL: BD Address Low register
- BDnADRH: BD Address High register

BDs always occur as a four-byte block in the sequence: BDnSTAT:BDnCNT:BDnADRL:BDnADRH. The address of BDnSTAT is always an offset of  $(4n - 1)$  (in hexadecimal) from 400h, with n being the buffer descriptor number.

Depending on the buffering configuration used ([Section 22.4.4 “Ping-Pong Buffering”](#)), there are up to 32, 33 or 64 sets of buffer descriptors. At a minimum, the BDT must be at least 8 bytes long. This is because the USB specification mandates that every device must have Endpoint 0, with both input and output for initial setup. Depending on the endpoint and buffering configuration, the BDT can be as long as 256 bytes.

Although they can be thought of as Special Function Registers, the Buffer Descriptor Status and Address registers are not hardware mapped, as conventional microcontroller SFRs in Bank 15 are. If the endpoint corresponding to a particular BD is not enabled, its registers are not used. Instead of appearing as unimplemented addresses, however, they appear as available RAM. Only when an endpoint is enabled by setting the UEPn<1> bit does the memory at those addresses become functional as BD registers. As with any address in the data memory space, the BD registers have an indeterminate value on any device Reset.

[Figure 22-5](#) provides an example of a BD for a 64-byte buffer, starting at 500h. A particular set of BD registers is only valid if the corresponding endpoint has been enabled using the UEPn register. All BD registers are available in USB RAM. The BD for each endpoint should be set up prior to enabling the endpoint.

### 22.4.1 BD STATUS AND CONFIGURATION

Buffer descriptors not only define the size of an endpoint buffer, but also determine its configuration and control. Most of the configuration is done with the BD Status register, BDnSTAT. Each BD has its own unique and correspondingly numbered BDnSTAT register.

**FIGURE 22-5: EXAMPLE OF A BUFFER DESCRIPTOR**



Unlike other control registers, the bit configuration for the BDnSTAT register is context-sensitive. There are two distinct configurations, depending on whether the microcontroller or the USB module is modifying the BD and buffer at a particular time; only 3-bit definitions are shared between the two.

#### 22.4.1.1 Buffer Ownership

Because the buffers and their BDs are shared between the CPU and the USB module, a simple semaphore mechanism is used to distinguish which is allowed to update the BD and associated buffers in memory.

This is done by using the UOWN bit (BDnSTAT<7>) as a semaphore to distinguish which is allowed to update the BD and associated buffers in memory. UOWN is the only bit that is shared between the two configurations of BDnSTAT.

When UOWN is clear, the BD entry is “owned” by the microcontroller core. When the UOWN bit is set, the BD entry and the buffer memory are “owned” by the USB peripheral. The core should not modify the BD or its corresponding data buffer during this time. Note that the microcontroller core can still read BDnSTAT, while the SIE owns the buffer and vice versa.

The buffer descriptors have a different meaning based on the source of the register update. Prior to placing ownership with the USB peripheral, the user can configure the basic operation of the peripheral through the BDnSTAT bits. During this time, the byte count and buffer location registers can also be set.

When UOWN is set, the user can no longer depend on the values that were written to the BDs. From this point, the SIE updates the BDs as necessary, overwriting the original BD values. The BDnSTAT register is updated by the SIE with the token PID and the transfer count, BDnCNT, is updated.

# PIC18F46J50 FAMILY

The BDnSTAT byte of the BDT should always be the last byte updated when preparing to arm an endpoint. The SIE will clear the UOWN bit when a transaction has completed.

No hardware mechanism exists to block access when the UOWN bit is set. Thus, unexpected behavior can occur if the microcontroller attempts to modify memory when the SIE owns it. Similarly, reading such memory may produce inaccurate data until the USB peripheral returns ownership to the microcontroller.

## 22.4.1.2 BDnSTAT Register (CPU Mode)

When UOWN = 0, the microcontroller core owns the BD. At this point, the other seven bits of the register take on control functions.

The Data Toggle Sync Enable bit, DTSEN (BDnSTAT<3>), controls data toggle parity checking. Setting DTSEN enables data toggle synchronization by the SIE. When enabled, it checks the data packet's parity against the value of DTS (BDnSTAT<6>). If a packet arrives with an incorrect synchronization, the data will essentially be ignored. It will not be written to the USB RAM and the USB transfer complete interrupt flag will not be set. The SIE will send an ACK token back to the host to Acknowledge receipt, however. The effects of the DTSEN bit on the SIE are summarized in [Table 22-1](#).

The Buffer Stall bit, BSTALL (BDnSTAT<2>), provides support for control transfers, usually one-time stalls on Endpoint 0. It also provides support for the SET\_FEATURE/CLEAR\_FEATURE commands specified in Chapter 9 of the USB specification; typically, continuous STALLs to any endpoint other than the default control endpoint.

The BSTALL bit enables buffer stalls. Setting BSTALL causes the SIE to return a STALL token to the host if a received token would use the BD in that location. The EPSTALL bit in the corresponding UEPn control register is set and a STALL interrupt is generated when a STALL is issued to the host. The UOWN bit remains set and the BDs are not changed unless a SETUP token is received. In this case, the STALL condition is cleared and the ownership of the BD is returned to the microcontroller core.

The BD<9:8> bits (BDnSTAT<1:0>) store the two most significant digits of the SIE byte count; the lower 8 digits are stored in the corresponding BDnCNT register. See [Section 22.4.2 "BD Byte Count"](#) for more information.

**TABLE 22-1: EFFECT OF DTSEN BIT ON ODD/EVEN (DATA0/DATA1) PACKET RECEPTION**

| OUT Packet from Host | BDnSTAT Settings |     | Device Response after Receiving Packet |      |       |                          |
|----------------------|------------------|-----|--|------|-------|--------------------------|
|                      | DTSEN            | DTS | Handshake                              | UOWN | TRNIF | BDnSTAT and USTAT Status |
| DATA0                | 1                | 0   | ACK                                    | 0    | 1     | Updated                  |
| DATA1                | 1                | 0   | ACK                                    | 1    | 0     | Not Updated              |
| DATA0                | 1                | 1   | ACK                                    | 1    | 0     | Not Updated              |
| DATA1                | 1                | 1   | ACK                                    | 0    | 1     | Updated                  |
| Either               | 0                | x   | ACK                                    | 0    | 1     | Updated                  |
| Either, with error   | x                | x   | (None)                                 | 1    | 0     | Not Updated              |

**Legend:** x = don't care

# PIC18F46J50 FAMILY

## REGISTER 22-5: BDnSTAT: BUFFER DESCRIPTOR n STATUS REGISTER (BD0STAT THROUGH BD63STAT), CPU MODE (BANKED 4xxh)

| R/W-x               | R/W-x              | R/W-0            | R/W-0            | R/W-x  | R/W-x  | R/W-x | R/W-x |
|---------------------|--------------------|------------------|------------------|--------|--------|-------|-------|
| UOWN <sup>(1)</sup> | DTS <sup>(2)</sup> | r <sup>(3)</sup> | r <sup>(3)</sup> | DTSSEN | BSTALL | BC9   | BC8   |
| bit 7               |                    |                  |                  |        |        | bit 0 |       |

|                   |                  |                                    |
|-------------------|------------------|------------------------------------|
| <b>Legend:</b>    | r = Reserved bit | U = Unimplemented bit, read as '0' |
| R = Readable bit  | W = Writable bit | '0' = Bit is cleared               |
| -n = Value at POR | '1' = Bit is set | x = Bit is unknown                 |

- bit 7      **UOWN:** USB Own bit<sup>(1)</sup>  
0 = The microcontroller core owns the BD and its corresponding buffer
- bit 6      **DTS:** Data Toggle Synchronization bit<sup>(2)</sup>  
1 = Data 1 packet  
0 = Data 0 packet
- bit 5-4    **Reserved:** These bits should always be programmed to '0'<sup>(3)</sup>
- bit 3      **DTSSEN:** Data Toggle Synchronization Enable bit  
1 = Data toggle synchronization is enabled; data packets with an incorrect Sync value will be ignored, except for a SETUP transaction, which is accepted even if the data toggle bits do not match  
0 = No data toggle synchronization is performed
- bit 2      **BSTALL:** Buffer Stall Enable bit  
1 = Buffer stall is enabled; STALL handshake issued if a token is received that would use the BD in the given location (UOWN bit remains set, BD value is unchanged)  
0 = Buffer stall is disabled
- bit 1-0    **BC<9:8>:** Byte Count 9 and 8 bits  
The byte count bits represent the number of bytes that will be transmitted for an IN token or received during an OUT token. Together with BC<7:0>, the valid byte counts are 0-1023.

- Note 1:** This bit must be initialized by the user to the desired value prior to enabling the USB module.
- 2:** This bit is ignored unless DTSSEN = 1.
- 3:** If these bits are set, USB communication may not work. Hence, these bits should always be maintained as '0'.



# PIC18F46J50 FAMILY

## 22.4.1.3 BDnSTAT Register (SIE Mode)

When the BD and its buffer are owned by the SIE, most of the bits in BDnSTAT take on a different meaning. The configuration is shown in [Register 22-6](#). Once UOWN is set, any data or control settings previously written there by the user will be overwritten with data from the SIE.

The BDnSTAT register is updated by the SIE with the token Packet Identifier (PID) which is stored in BDnSTAT<5:2>. The transfer count in the corresponding BDnCNT register is updated. Values that overflow the 8-bit register carry over to the two most significant digits of the count, stored in BDnSTAT<1:0>.

## 22.4.2 BD BYTE COUNT

The byte count represents the total number of bytes that will be transmitted during an IN transfer. After an IN transfer, the SIE will return the number of bytes sent to the host.

For an OUT transfer, the byte count represents the maximum number of bytes that can be received and stored in USB RAM. After an OUT transfer, the SIE will return the actual number of bytes received. If the number of bytes received exceeds the corresponding byte count, the data packet will be rejected and a NAK handshake will be generated. When this happens, the byte count will not be updated.

The 10-bit byte count is distributed over two registers. The lower 8 bits of the count reside in the BDnCNT register. The upper two bits reside in BDnSTAT<1:0>. This represents a valid byte range of 0 to 1023.

## 22.4.3 BD ADDRESS VALIDATION

The BD Address register pair contains the starting RAM address location for the corresponding endpoint buffer. No mechanism is available in hardware to validate the BD address.

If the value of the BD address does not point to an address in the USB RAM, or if it points to an address within another endpoint's buffer, data is likely to be lost or overwritten. Similarly, overlapping a receive buffer (OUT endpoint) with a BD location in use can yield unexpected results. When developing USB applications, the user may want to consider the inclusion of software-based address validation in their code.

## REGISTER 22-6: BDnSTAT: BUFFER DESCRIPTOR n STATUS REGISTER (BD0STAT THROUGH BD63STAT), SIE MODE (DATA RETURNED BY THE SIE TO THE MCU) (BANKED 4xxh)

| R/W-x | r-x | R/W-x | R/W-x | R/W-x | R/W-x | R/W-x | R/W-x |
|-------|-----|-------|-------|-------|-------|-------|-------|
| UOWN  | r   | PID3  | PID2  | PID1  | PID0  | BC9   | BC8   |
| bit 7 |     |       |       |       |       |       | bit 0 |

|                   |                  |                      |                                    |
|-------------------|------------------|----------------------|------------------------------------|
| <b>Legend:</b>    | r = Reserved bit | W = Writable bit     | U = Unimplemented bit, read as '0' |
| R = Readable bit  | '1' = Bit is set | '0' = Bit is cleared | x = Bit is unknown                 |
| -n = Value at POR |                  |                      |                                    |

- bit 7      **UOWN:** USB Own bit  
1 = The SIE owns the BD and its corresponding buffer
- bit 6      **Reserved:** Not written by the SIE
- bit 5-2    **PID<3:0>:** Packet Identifier bits  
The received token PID value of the last transfer (IN, OUT or SETUP transactions only).
- bit 1-0    **BC<9:8>:** Byte Count 9 and 8 bits  
These bits are updated by the SIE to reflect the actual number of bytes received on an OUT transfer and the actual number of bytes transmitted on an IN transfer.

# PIC18F46J50 FAMILY

## 22.4.4 PING-PONG BUFFERING

An endpoint is defined to have a ping-pong buffer when it has two sets of BD entries: one set for an Even transfer and one set for an Odd transfer. This allows the CPU to process one BD while the SIE is processing the other BD. Double-buffering BDs in this way allows for maximum throughput to/from the USB.

The USB module supports four modes of operation:

- No ping-pong support
- Ping-pong buffer support for OUT Endpoint 0 only
- Ping-pong buffer support for all endpoints
- Ping-pong buffer support for all other endpoints except Endpoint 0

The ping-pong buffer settings are configured using the PPB<1:0> bits in the UCFG register.

The USB module keeps track of the Ping-Pong Pointer, individually for each endpoint. All pointers are initially reset to the Even BD when the module is enabled. After

the completion of a transaction (UOWN cleared by the SIE), the pointer is toggled to the Odd BD. After the completion of the next transaction, the pointer is toggled back to the Even BD and so on.

The Even/Odd status of the last transaction is stored in the PPBI bit of the USTAT register. The user can reset all Ping-Pong Pointers to Even using the PPBRST bit.

Figure 22-6 shows the four different modes of operation and how USB RAM is filled with the BDs.

BDs have a fixed relationship to a particular endpoint, depending on the buffering configuration. Table 22-2 provides the mapping of BDs to endpoints. This relationship also means that gaps may occur in the BDT if endpoints are not enabled contiguously. This theoretically means that the BDs for disabled endpoints could be used as buffer space. In practice, users should avoid using such spaces in the BDT unless a method of validating BD addresses is implemented.

**FIGURE 22-6: BUFFER DESCRIPTOR TABLE MAPPING FOR BUFFERING MODES**



# PIC18F46J50 FAMILY

**TABLE 22-2: ASSIGNMENT OF BUFFER DESCRIPTORS FOR THE DIFFERENT BUFFERING MODES**

| Endpoint | BDs Assigned to Endpoint |    |                                  |    |                                  |                |   |                |
|----------|--------------------------|----|----------------------------------|----|----------------------------------|----------------|---|----------------|
|          | Mode 0<br>(No Ping-Pong) |    | Mode 1<br>(Ping-Pong on EP0 OUT) |    | Mode 2<br>(Ping-Pong on all EPs) |                | Mode 3<br>(Ping-Pong on all other EPs,<br>except EP0) |                |
|          | Out                      | In | Out                              | In | Out                              | In             | Out   | In             |
| 0        | 0                        | 1  | 0 (E), 1 (O)                     | 2  | 0 (E), 1 (O)                     | 2 (E), 3 (O)   | 0   | 1              |
| 1        | 2                        | 3  | 3                                | 4  | 4 (E), 5 (O)                     | 6 (E), 7 (O)   | 2 (E), 3 (O)  | 4 (E), 5 (O)   |
| 2        | 4                        | 5  | 5                                | 6  | 8 (E), 9 (O)                     | 10 (E), 11 (O) | 6 (E), 7 (O)  | 8 (E), 9 (O)   |
| 3        | 6                        | 7  | 7                                | 8  | 12 (E), 13 (O)                   | 14 (E), 15 (O) | 10 (E), 11 (O)  | 12 (E), 13 (O) |
| 4        | 8                        | 9  | 9                                | 10 | 16 (E), 17 (O)                   | 18 (E), 19 (O) | 14 (E), 15 (O)  | 16 (E), 17 (O) |
| 5        | 10                       | 11 | 11                               | 12 | 20 (E), 21 (O)                   | 22 (E), 23 (O) | 18 (E), 19 (O)  | 20 (E), 21 (O) |
| 6        | 12                       | 13 | 13                               | 14 | 24 (E), 25 (O)                   | 26 (E), 27 (O) | 22 (E), 23 (O)  | 24 (E), 25 (O) |
| 7        | 14                       | 15 | 15                               | 16 | 28 (E), 29 (O)                   | 30 (E), 31 (O) | 26 (E), 27 (O)  | 28 (E), 29 (O) |
| 8        | 16                       | 17 | 17                               | 18 | 32 (E), 33 (O)                   | 34 (E), 35 (O) | 30 (E), 31 (O)  | 32 (E), 33 (O) |
| 9        | 18                       | 19 | 19                               | 20 | 36 (E), 37 (O)                   | 38 (E), 39 (O) | 34 (E), 35 (O)  | 36 (E), 37 (O) |
| 10       | 20                       | 21 | 21                               | 22 | 40 (E), 41 (O)                   | 42 (E), 43 (O) | 38 (E), 39 (O)  | 40 (E), 41 (O) |
| 11       | 22                       | 23 | 23                               | 24 | 44 (E), 45 (O)                   | 46 (E), 47 (O) | 42 (E), 43 (O)  | 44 (E), 45 (O) |
| 12       | 24                       | 25 | 25                               | 26 | 48 (E), 49 (O)                   | 50 (E), 51 (O) | 46 (E), 47 (O)  | 48 (E), 49 (O) |
| 13       | 26                       | 27 | 27                               | 28 | 52 (E), 53 (O)                   | 54 (E), 55 (O) | 50 (E), 51 (O)  | 52 (E), 53 (O) |
| 14       | 28                       | 29 | 29                               | 30 | 56 (E), 57 (O)                   | 58 (E), 59 (O) | 54 (E), 55 (O)  | 56 (E), 57 (O) |
| 15       | 30                       | 31 | 31                               | 32 | 60 (E), 61 (O)                   | 62 (E), 63 (O) | 58 (E), 59 (O)  | 60 (E), 61 (O) |

**Legend:** (E) = Even transaction buffer, (O) = Odd transaction buffer

**TABLE 22-3: SUMMARY OF USB BUFFER DESCRIPTOR TABLE REGISTERS**

| Name                   | Bit 7               | Bit 6              | Bit 5               | Bit 4               | Bit 3  | Bit 2  | Bit 1 | Bit 0 |
|------------------------|---------------------|--------------------|---------------------|---------------------|--|--|-------|-------|
| BDnSTAT <sup>(1)</sup> | UOWN                | DTS <sup>(4)</sup> | PID3 <sup>(2)</sup> | PID2 <sup>(2)</sup> | PID1 <sup>(2)</sup><br>DTSSEN <sup>(3)</sup> | PID0 <sup>(2)</sup><br>BSTALL <sup>(3)</sup> | BC9   | BC8   |
| BDnCNT <sup>(1)</sup>  | Byte Count          |                    |                     |                     |  |  |       |       |
| BDnADRL <sup>(1)</sup> | Buffer Address Low  |                    |                     |                     |  |  |       |       |
| BDnADRH <sup>(1)</sup> | Buffer Address High |                    |                     |                     |  |  |       |       |

- Note 1:** For buffer descriptor registers, n may have a value of 0 to 63. For the sake of brevity, all 64 registers are shown as one generic prototype. All registers have indeterminate Reset values (xxxx xxxx).
- 2:** Bits, 5 through 2, of the BDnSTAT register are used by the SIE to return PID<3:0> values once the register is turned over to the SIE (UOWN bit is set). Once the registers have been under SIE control, the values written for DTSSEN and BSTALL are no longer valid.
- 3:** Prior to turning the buffer descriptor over to the SIE (UOWN bit is cleared), bits, 5 through 2, of the BDnSTAT register are used to configure the DTSSEN and BSTALL settings.
- 4:** This bit is ignored unless DTSSEN = 1.

# PIC18F46J50 FAMILY

## 22.5 USB Interrupts

The USB module can generate multiple interrupt conditions. To accommodate all of these interrupt sources, the module is provided with its own interrupt logic structure, similar to that of the microcontroller. USB interrupts are enabled with one set of control registers and trapped with a separate set of flag registers. All sources are funneled into a single USB interrupt request, USBIF (PIR2<4>), in the microcontroller's interrupt logic.

Figure 22-7 provides the interrupt logic for the USB module. There are two layers of interrupt registers in the USB module. The top level consists of overall USB

status interrupts. These interrupts are enabled and flagged in the UIE and UIR registers, respectively. The second level consists of USB error conditions, which are enabled and flagged in the UEIR and UEIE registers. An interrupt condition in any of these areas triggers a USB Error Interrupt Flag (UERRIF) in the top level.

Interrupts may be used to trap routine events in a USB transaction. Figure 22-8 provides some common events within a USB frame and their corresponding interrupts.

**FIGURE 22-7: USB INTERRUPT LOGIC FUNNEL**



**FIGURE 22-8: EXAMPLE OF A USB TRANSACTION AND INTERRUPT EVENTS**



# PIC18F46J50 FAMILY

## 22.5.1 USB INTERRUPT STATUS REGISTER (UIR)

The USB Interrupt Status register (Register 22-7) contains the flag bits for each of the USB status interrupt sources. Each of these sources has a corresponding interrupt enable bit in the UIE register. All of the USB status flags are ORed together to generate the USBIF interrupt flag for the microcontroller's interrupt funnel.

Once an interrupt bit has been set by the SIE, it must be cleared by software by writing a '0'. The flag bits can also be set in software, which can aid in firmware debugging.

When the USB module is in the Low-Power Suspend mode (UCON<1> = 1), the SIE does not get clocked. When in this state, the SIE cannot process packets, and therefore, cannot detect new interrupt conditions other than the Activity Detect Interrupt, ACTVIF. The ACTVIF bit is typically used by USB firmware to detect when the microcontroller should bring the USB module out of the Low-Power Suspend mode (UCON<1> = 0).

### REGISTER 22-7: UIR: USB INTERRUPT STATUS REGISTER (ACCESS F62h)

|       |       |         |                       |                      |                       |                       |        |
|-------|-------|---------|-----------------------|----------------------|-----------------------|-----------------------|--------|
| U-0   | R/W-0 | R/W-0   | R/W-0                 | R/W-0                | R/W-0                 | R-0                   | R/W-0  |
| —     | SOFIF | STALLIF | IDLEIF <sup>(1)</sup> | TRNIF <sup>(2)</sup> | ACTVIF <sup>(3)</sup> | UERRIF <sup>(4)</sup> | URSTIF |
| bit 7 |       |         |                       |                      |                       |                       | bit 0  |

#### Legend:

|                   |                  |                                    |
|-------------------|------------------|------------------------------------|
| R = Readable bit  | W = Writable bit | U = Unimplemented bit, read as '0' |
| -n = Value at POR | '1' = Bit is set | '0' = Bit is cleared               |
|                   |                  | x = Bit is unknown                 |

- bit 7      **Unimplemented:** Read as '0'
- bit 6      **SOFIF:** Start-of-Frame Token Interrupt bit  
             1 = A Start-of-Frame token was received by the SIE  
             0 = No Start-of-Frame token was received by the SIE
- bit 5      **STALLIF:** A STALL Handshake Interrupt bit  
             1 = A STALL handshake was sent by the SIE  
             0 = A STALL handshake has not been sent
- bit 4      **IDLEIF:** Idle Detect Interrupt bit<sup>(1)</sup>  
             1 = Idle condition was detected (constant Idle state of 3 ms or more)  
             0 = No Idle condition was detected
- bit 3      **TRNIF:** Transaction Complete Interrupt bit<sup>(2)</sup>  
             1 = Processing of pending transaction is complete; read USTAT register for endpoint information  
             0 = Processing of pending transaction is not complete or no transaction is pending
- bit 2      **ACTVIF:** Bus Activity Detect Interrupt bit<sup>(3)</sup>  
             1 = Activity on the D+/D- lines was detected  
             0 = No activity was detected on the D+/D- lines
- bit 1      **UERRIF:** USB Error Condition Interrupt bit<sup>(4)</sup>  
             1 = An unmasked error condition has occurred  
             0 = No unmasked error condition has occurred.
- bit 0      **URSTIF:** USB Reset Interrupt bit  
             1 = Valid USB Reset occurred; 00h is loaded into UADDR register  
             0 = No USB Reset has occurred

- Note 1:** Once an Idle state is detected, the user may want to place the USB module in Suspend mode.
- Note 2:** Clearing this bit will cause the USTAT FIFO to advance (valid only for IN, OUT and SETUP tokens).
- Note 3:** This bit is typically unmasked only following the detection of a UIDLE interrupt event.
- Note 4:** Only error conditions enabled through the UEIE register will set this bit. This bit is a status bit only and cannot be set or cleared by the user.

# PIC18F46J50 FAMILY

---

## 22.5.1.1 Bus Activity Detect Interrupt Bit (ACTVIF)

The ACTVIF bit cannot be cleared immediately after the USB module wakes up from Suspend or while the USB module is suspended. A few clock cycles are required to synchronize the internal hardware state machine before the ACTVIF bit can be cleared by firmware. Clearing the ACTVIF bit before the internal hardware is synchronized may not have an effect on the value of ACTVIF. Additionally, if the USB module uses the clock from the 96 MHz PLL source, then after clearing the SUSPND bit, the USB module may not be

immediately operational while waiting for the 96 MHz PLL to lock. The application code should clear the ACTVIF flag as provided in [Example 22-1](#).

**Note:** Only one ACTVIF interrupt is generated when resuming from the USB bus Idle condition. If user firmware clears the ACTVIF bit, the bit will not immediately become set again, even when there is continuous bus traffic. Bus traffic must cease long enough to generate another IDLEIF condition before another ACTVIF interrupt can be generated.

### EXAMPLE 22-1: CLEARING ACTVIF BIT (UIR<2>)

**Assembly:**

```
    BCF    UCON, SUSPND
LOOP:
    BTFSS  UIR, ACTVIF
    BRA    DONE
    BCF    UIR, ACTVIF
    BRA    LOOP
DONE:
```

**C:**

```
UCONbits.SUSPND = 0;
while (UIRbits.ACTVIF) { UIRbits.ACTVIF = 0; }
```

# PIC18F46J50 FAMILY

## 22.5.2 USB INTERRUPT ENABLE REGISTER (UIE)

The USB Interrupt Enable (UIE) register (Register 22-8) contains the enable bits for the USB status interrupt sources. Setting any of these bits will enable the respective interrupt source in the UIR register.

The values in this register only affect the propagation of an interrupt condition to the microcontroller's interrupt logic. The flag bits are still set by their interrupt conditions, allowing them to be polled and serviced without actually generating an interrupt.

### REGISTER 22-8: UIE: USB INTERRUPT ENABLE REGISTER (BANKED F36h)

|       |       |         |        |       |        |        |        |
|-------|-------|---------|--------|-------|--------|--------|--------|
| U-0   | R/W-0 | R/W-0   | R/W-0  | R/W-0 | R/W-0  | R/W-0  | R/W-0  |
| —     | SOFIE | STALLIE | IDLEIE | TRNIE | ACTVIE | UERRIE | URSTIE |
| bit 7 |       |         |        |       |        |        | bit 0  |

#### Legend:

|                   |                  |                                    |
|-------------------|------------------|------------------------------------|
| R = Readable bit  | W = Writable bit | U = Unimplemented bit, read as '0' |
| -n = Value at POR | '1' = Bit is set | '0' = Bit is cleared               |
|                   |                  | x = Bit is unknown                 |

- bit 7      **Unimplemented:** Read as '0'
- bit 6      **SOFIE:** Start-of-Frame Token Interrupt Enable bit  
1 = Start-of-Frame token interrupt is enabled  
0 = Start-of-Frame token interrupt is disabled
- bit 5      **STALLIE:** STALL Handshake Interrupt Enable bit  
1 = STALL interrupt is enabled  
0 = STALL interrupt is disabled
- bit 4      **IDLEIE:** Idle Detect Interrupt Enable bit  
1 = Idle detect interrupt is enabled  
0 = Idle detect interrupt is disabled
- bit 3      **TRNIE:** Transaction Complete Interrupt Enable bit  
1 = Transaction interrupt is enabled  
0 = Transaction interrupt is disabled
- bit 2      **ACTVIE:** Bus Activity Detect Interrupt Enable bit  
1 = Bus activity detect interrupt is enabled  
0 = Bus activity detect interrupt is disabled
- bit 1      **UERRIE:** USB Error Interrupt Enable bit  
1 = USB error interrupt is enabled  
0 = USB error interrupt is disabled
- bit 0      **URSTIE:** USB Reset Interrupt Enable bit  
1 = USB Reset interrupt is enabled  
0 = USB Reset interrupt is disabled

# PIC18F46J50 FAMILY

## 22.5.3 USB ERROR INTERRUPT STATUS REGISTER (UEIR)

The USB Error Interrupt Status register ([Register 22-9](#)) contains the flag bits for each of the error sources within the USB peripheral. Each of these sources is controlled by a corresponding interrupt enable bit in the UEIE register. All of the USB error flags are ORed together to generate the USB Error Interrupt Flag (UERRIF) at the top level of the interrupt logic.

Each error bit is set as soon as the error condition is detected. Thus, the interrupt will typically not correspond with the end of a token being processed.

Once an interrupt bit has been set by the SIE, it must be cleared by software by writing a '0'.

### REGISTER 22-9: UEIR: USB ERROR INTERRUPT STATUS REGISTER (ACCESS F63h)

|       |     |     |       |        |         |        |       |
|-------|-----|-----|-------|--------|---------|--------|-------|
| R/C-0 | U-0 | U-0 | R/C-0 | R/C-0  | R/C-0   | R/C-0  | R/C-0 |
| BTSEF | —   | —   | BTOEF | DFN8EF | CRC16EF | CRC5EF | PIDEF |
| bit 7 |     |     |       |        |         |        | bit 0 |

#### Legend:

R = Readable bit  
-n = Value at POR

C = Clearable bit  
'1' = Bit is set

U = Unimplemented bit, read as '0'  
'0' = Bit is cleared  
x = Bit is unknown

- bit 7      **BTSEF:** Bit Stuff Error Flag bit  
1 = A bit stuff error has been detected  
0 = No bit stuff error has been detected
- bit 6-5    **Unimplemented:** Read as '0'
- bit 4      **BTOEF:** Bus Turnaround Time-out Error Flag bit  
1 = Bus turnaround time-out has occurred (more than 16 bit times of Idle from previous EOP elapsed)  
0 = No bus turnaround time-out has occurred
- bit 3      **DFN8EF:** Data Field Size Error Flag bit  
1 = The data field was not an integral number of bytes  
0 = The data field was an integral number of bytes
- bit 2      **CRC16EF:** CRC16 Failure Flag bit  
1 = The CRC16 failed  
0 = The CRC16 passed
- bit 1      **CRC5EF:** CRC5 Host Error Flag bit  
1 = The token packet was rejected due to a CRC5 error  
0 = The token packet was accepted
- bit 0      **PIDEF:** PID Check Failure Flag bit  
1 = PID check failed  
0 = PID check passed



# PIC18F46J50 FAMILY

## 22.5.4 USB ERROR INTERRUPT ENABLE REGISTER (UEIE)

The USB Error Interrupt Enable register (Register 22-10) contains the enable bits for each of the USB error interrupt sources. Setting any of these bits will enable the respective error interrupt source in the UEIR register to propagate into the UERR bit at the top level of the interrupt logic.

As with the UIE register, the enable bits only affect the propagation of an interrupt condition to the microcontroller's interrupt logic. The flag bits are still set by their interrupt conditions, allowing them to be polled and serviced without actually generating an interrupt.

### REGISTER 22-10: UEIE: USB ERROR INTERRUPT ENABLE REGISTER (BANKED F37h)

|       |     |     |       |        |         |        |       |
|-------|-----|-----|-------|--------|---------|--------|-------|
| R/W-0 | U-0 | U-0 | R/W-0 | R/W-0  | R/W-0   | R/W-0  | R/W-0 |
| BTSEE | —   | —   | BTOEE | DFN8EE | CRC16EE | CRC5EE | PIDEE |
| bit 7 |     |     |       |        |         |        | bit 0 |

#### Legend:

|                   |                  |                                    |
|-------------------|------------------|------------------------------------|
| R = Readable bit  | W = Writable bit | U = Unimplemented bit, read as '0' |
| -n = Value at POR | '1' = Bit is set | '0' = Bit is cleared               |
|                   |                  | x = Bit is unknown                 |

- bit 7      **BTSEE:** Bit Stuff Error Interrupt Enable bit  
           1 = Bit stuff error interrupt is enabled  
           0 = Bit stuff error interrupt is disabled
- bit 6-5    **Unimplemented:** Read as '0'
- bit 4      **BTOEE:** Bus Turnaround Time-out Error Interrupt Enable bit  
           1 = Bus turnaround time-out error interrupt is enabled  
           0 = Bus turnaround time-out error interrupt is disabled
- bit 3      **DFN8EE:** Data Field Size Error Interrupt Enable bit  
           1 = Data field size error interrupt is enabled  
           0 = Data field size error interrupt is disabled
- bit 2      **CRC16EE:** CRC16 Failure Interrupt Enable bit  
           1 = CRC16 failure interrupt is enabled  
           0 = CRC16 failure interrupt is disabled
- bit 1      **CRC5EE:** CRC5 Host Error Interrupt Enable bit  
           1 = CRC5 host error interrupt is enabled  
           0 = CRC5 host error interrupt is disabled
- bit 0      **PIDEE:** PID Check Failure Interrupt Enable bit  
           1 = PID check failure interrupt is enabled  
           0 = PID check failure interrupt is disabled

# PIC18F46J50 FAMILY

## 22.6 USB Power Modes

Many USB applications will likely have several different sets of power requirements and configuration. The most common power modes encountered are Bus Power Only, Self-Power Only and Dual Power with Self-Power Dominance. The most common cases are presented here. Also provided is a means of estimating the current consumption of the USB transceiver.

### 22.6.1 BUS POWER ONLY

In Bus Power Only mode, all power for the application is drawn from the USB (Figure 22-9). This is effectively the simplest power method for the device.

In order to meet the inrush current requirements of the “USB 2.0 Specification”, the total effective capacitance appearing across VBUS and ground must be no more than 10  $\mu$ F. If not, some kind of inrush timing is required. For more details, see Section 7.2.4 of the “USB 2.0 Specification”.

According to the “USB 2.0 Specification”, all USB devices must also support a Low-Power Suspend mode. In the USB Suspend mode, devices must consume no more than 2.5 mA from the 5V VBUS line of the USB cable.

The host signals the USB device to enter the Suspend mode by stopping all USB traffic to that device for more than 3 ms. This condition will cause the IDLEIF bit in the UIR register to become set.

During the USB Suspend mode, the D+ or D- pull-up resistor must remain active, which will consume some of the allowed suspend current: 2.5 mA budget.

**FIGURE 22-9: BUS POWER ONLY**



### 22.6.2 SELF-POWER ONLY

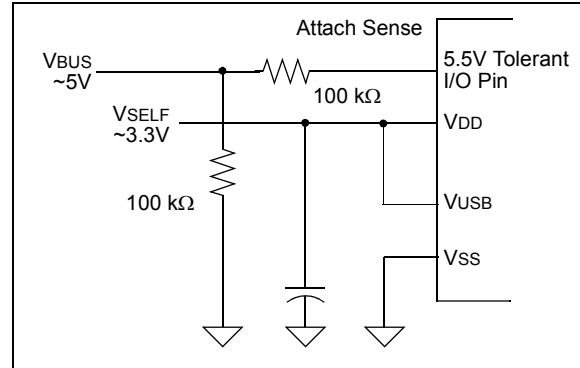
In Self-Power Only mode, the USB application provides its own power, with very little power being pulled from the USB. See Figure 22-10 for an example.

Note that an attach indication is added to indicate when the USB has been connected and the host is actively powering VBUS.

In order to meet compliance specifications, the USB module (and the D+ or D- pull-up resistor) should not be enabled until the host actively drives VBUS high. One of the 5.5V tolerant I/O pins may be used for this purpose.

The application should never source any current onto the 5V VBUS pin of the USB cable.

**FIGURE 22-10: SELF-POWER ONLY**

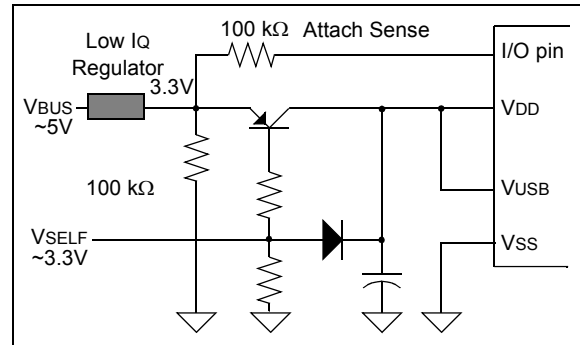


### 22.6.3 DUAL POWER WITH SELF-POWER DOMINANCE

Some applications may require a dual power option. This allows the application to use internal power primarily, but switch to power from the USB when no internal power is available. See Figure 22-11 for a simple Dual Power with Self-Power Dominance mode example, which automatically switches between Self-Power Only and USB Bus Power Only modes.

Dual power devices must also meet all of the special requirements for inrush current and Suspend mode current, and must not enable the USB module until VBUS is driven high. See Section 22.6.1 “Bus Power Only” and Section 22.6.2 “Self-Power Only” for descriptions of those requirements. Additionally, dual power devices must never source current onto the 5V VBUS pin of the USB cable.

**FIGURE 22-11: DUAL POWER EXAMPLE**



**Note:** Users should keep in mind the limits for devices drawing power from the USB. According to “USB Specification 2.0”, this cannot exceed 100 mA per low-power device or 500 mA per high-power device.

## 22.6.4 USB TRANSCEIVER CURRENT CONSUMPTION

The USB transceiver consumes a variable amount of current depending on the characteristic impedance of the USB cable, the length of the cable, the V<sub>USB</sub> supply voltage and the actual data patterns moving across the USB cable. Longer cables have larger capacitances and consume more total energy when switching output states.

Data patterns that consist of “IN” traffic consume far more current than “OUT” traffic. IN traffic requires the PIC<sup>®</sup> MCU to drive the USB cable, whereas OUT traffic requires that the host drive the USB cable.

The data that is sent across the USB cable is NRZI encoded. In the NRZI encoding scheme, ‘0’ bits cause a toggling of the output state of the transceiver (either from a “J” state to a “K” state, or vice versa). With the exception of the effects of bit stuffing, NRZI encoded ‘1’

bits do not cause the output state of the transceiver to change. Therefore, IN traffic consisting of data bits of value, ‘0’, causes the most current consumption, as the transceiver must charge/discharge the USB cable in order to change states.

More details about NRZI encoding and bit stuffing can be found in the USB specification’s **Section 7.1**, although knowledge of such details is not required to make USB applications using the PIC18F46J50 family of microcontrollers. Among other things, the SIE handles bit stuffing/unstuffing, NRZI encoding/decoding and CRC generation/checking in hardware.

The total transceiver current consumption will be application-specific. However, to help estimate how much current actually may be required in full-speed applications, [Equation 22-1](#) can be used.

See [Equation 22-2](#) to know how this equation can be used for a theoretical application.

### EQUATION 22-1: ESTIMATING USB TRANSCEIVER CURRENT CONSUMPTION

$$I_{XCVR} = \frac{(40 \text{ mA} \cdot V_{USB} \cdot P_{ZERO} \cdot P_{IN} \cdot L_{CABLE})}{(3.3\text{V} \cdot 5\text{m})} + I_{PULLUP}$$

**Legend:** V<sub>USB</sub> – Voltage applied to the V<sub>USB</sub> pin in volts (should be 3.0V to 3.6V).

P<sub>ZERO</sub> – Percentage (in decimal) of the IN traffic bits sent by the PIC<sup>®</sup> MCU that are a value of ‘0’.

P<sub>IN</sub> – Percentage (in decimal) of total bus bandwidth that is used for IN traffic.

L<sub>CABLE</sub> – Length (in meters) of the USB cable. The “*USB 2.0 Specification*” requires that full-speed applications use cables no longer than 5m.

I<sub>PULLUP</sub> – Current which the nominal, 1.5 k $\Omega$  pull-up resistor (when enabled) must supply to the USB cable. On the host or hub end of the USB cable, 15 k $\Omega$  nominal resistors (14.25 k $\Omega$  to 24.8 k $\Omega$ ) are present which pull both the D+ and D- lines to ground. During bus Idle conditions (such as between packets or during USB Suspend mode), this results in up to 218  $\mu$ A of quiescent current drawn at 3.3V.

I<sub>PULLUP</sub> is also dependant on bus traffic conditions and can be as high as 2.2 mA when the USB bandwidth is fully utilized (either IN or OUT traffic) for data that drives the lines to the “K” state, most of the time.

# PIC18F46J50 FAMILY

## EQUATION 22-2: CALCULATING USB TRANSCEIVER CURRENT†

For this example, the following assumptions are made about the application:

- 3.3V will be applied to V<sub>USB</sub> and V<sub>DD</sub>, with the core voltage regulator enabled.
- This is a full-speed application that uses one interrupt IN endpoint that can send one packet of 64 bytes every 1 ms, with no restrictions on the values of the bytes being sent. The application may or may not have additional traffic on OUT endpoints.
- A regular USB “B” or “mini-B” connector will be used on the application circuit board.

In this case, P<sub>ZERO</sub> = 100% = 1, because there should be no restriction on the value of the data moving through the IN endpoint. All 64 kbps of data could potentially be bytes of value, 00h. Since ‘0’ bits cause toggling of the output state of the transceiver, they cause the USB transceiver to consume extra current charging/discharging the cable. In this case, 100% of the data bits sent can be of value, ‘0’. This should be considered the “max” value, as normal data will consist of a fair mix of ones and zeros.

This application uses 64 kbps for IN traffic out of the total bus bandwidth of 1.5 Mbps (12 Mbps), therefore:

$$P_{in} = \frac{64 \text{ kbps}}{1.5 \text{ Mbps}} = 4.3\% = 0.043$$

Since a regular “B” or “mini-B” connector is used in this application, the end user may plug in any type of cable, up to the maximum allowed 5m length. Therefore, we use the worst-case length:

$$L_{CABLE} = 5 \text{ meters}$$

Assume I<sub>PULLUP</sub> = 2.2 mA. The actual value of I<sub>PULLUP</sub> will likely be closer to 218 μA, but allow for the worst-case. USB bandwidth is shared between all the devices which are plugged into the root port (via hubs). If the application is plugged into a USB 1.1 hub that has other devices plugged into it, your device may see host to device traffic on the bus, even if it is not addressed to your device. Since any traffic, regardless of source, can increase the I<sub>PULLUP</sub> current above the base 218 μA, it is safest to allow for the worst-case of 2.2 mA.

Therefore:

$$I_{XCVR} = \frac{(40 \text{ mA} \cdot 3.3\text{V} \cdot 1 \cdot 0.043 \cdot 5\text{m})}{(3.3\text{V} \cdot 5\text{m})} + 2.2 \text{ mA} = 3.9 \text{ mA}$$

- † The calculated value should be considered an approximation and additional guardband or application-specific product testing is recommended. The transceiver current is “in addition to” the rest of the current consumed by the PIC18F46J50 family device that is needed to run the core, drive the other I/O lines, power the various modules, etc.

# PIC18F46J50 FAMILY

## 22.7 Oscillator

The USB module has specific clock requirements. For full-speed operation, the clock source must be 48 MHz. Even so, the microcontroller core and other peripherals are not required to run at that clock speed. Available clocking options are described in detail in [Section 3.3 “Oscillator Settings for USB”](#).

## 22.8 USB Firmware and Drivers

Microchip provides a number of application-specific resources, such as USB firmware and driver support. Refer to [www.microchip.com](http://www.microchip.com) for the latest firmware and driver support.

**TABLE 22-4: REGISTERS ASSOCIATED WITH USB MODULE OPERATION<sup>(1)</sup>**

| Name   | Bit 7    | Bit 6     | Bit 5   | Bit 4  | Bit 3    | Bit 2   | Bit 1  | Bit 0   | Details on Page: |
|--------|----------|-----------|---------|--------|----------|---------|--------|---------|------------------|
| INTCON | GIE/GIEH | PEIE/GIEL | TMR0IE  | INT0IE | RBIE     | TMR0IF  | INT0IF | RBIF    | 69               |
| IPR2   | OSCFIP   | CM2IP     | CM1IP   | USBIP  | BCL1IP   | HLVDIP  | TMR3IP | CCP2IP  | 71               |
| PIR2   | OSCFIF   | CM2IF     | CM1IF   | USBIF  | BCL1IF   | HLVDIF  | TMR3IF | CCP2IF  | 71               |
| PIE2   | OSCFIE   | CM2IE     | CM1IE   | USBIE  | BCL1IE   | HLVDIE  | TMR3IE | CCP2IE  | 71               |
| UCON   | —        | PPBRST    | SE0     | PKTDIS | USBEN    | RESUME  | SUSPND | —       | 73               |
| UCFG   | UTEYE    | UOEMON    | —       | UPUEN  | UTRDIS   | FSEN    | PPB1   | PPB0    | 74               |
| USTAT  | —        | ENDP3     | ENDP2   | ENDP1  | ENDP0    | DIR     | PPBI   | —       | 73               |
| UADDR  | —        | ADDR6     | ADDR5   | ADDR4  | ADDR3    | ADDR2   | ADDR1  | ADDR0   | 74               |
| UFRML  | FRM7     | FRM6      | FRM5    | FRM4   | FRM3     | FRM2    | FRM1   | FRM0    | 73               |
| UFRMH  | —        | —         | —       | —      | —        | FRM10   | FRM9   | FRM8    | 73               |
| UIR    | —        | SOFIF     | STALLIF | IDLEIF | TRNIF    | ACTVIF  | UERRIF | URSTIF  | 73               |
| UIE    | —        | SOFIE     | STALLIE | IDLEIE | TRNIE    | ACTVIE  | UERRIE | URSTIE  | 74               |
| UEIR   | BTSEF    | —         | —       | BTOEF  | DFN8EF   | CRC16EF | CRC5EF | PIDEF   | 73               |
| UEIE   | BTSEE    | —         | —       | BTOEE  | DFN8EE   | CRC16EE | CRC5EE | PIDEE   | 74               |
| UEP0   | —        | —         | —       | EPHSHK | EPCONDIS | EPOUTEN | EPINEN | EPSTALL | 75               |
| UEP1   | —        | —         | —       | EPHSHK | EPCONDIS | EPOUTEN | EPINEN | EPSTALL | 75               |
| UEP2   | —        | —         | —       | EPHSHK | EPCONDIS | EPOUTEN | EPINEN | EPSTALL | 75               |
| UEP3   | —        | —         | —       | EPHSHK | EPCONDIS | EPOUTEN | EPINEN | EPSTALL | 75               |
| UEP4   | —        | —         | —       | EPHSHK | EPCONDIS | EPOUTEN | EPINEN | EPSTALL | 75               |
| UEP5   | —        | —         | —       | EPHSHK | EPCONDIS | EPOUTEN | EPINEN | EPSTALL | 75               |
| UEP6   | —        | —         | —       | EPHSHK | EPCONDIS | EPOUTEN | EPINEN | EPSTALL | 75               |
| UEP7   | —        | —         | —       | EPHSHK | EPCONDIS | EPOUTEN | EPINEN | EPSTALL | 74               |
| UEP8   | —        | —         | —       | EPHSHK | EPCONDIS | EPOUTEN | EPINEN | EPSTALL | 74               |
| UEP9   | —        | —         | —       | EPHSHK | EPCONDIS | EPOUTEN | EPINEN | EPSTALL | 74               |
| UEP10  | —        | —         | —       | EPHSHK | EPCONDIS | EPOUTEN | EPINEN | EPSTALL | 74               |
| UEP11  | —        | —         | —       | EPHSHK | EPCONDIS | EPOUTEN | EPINEN | EPSTALL | 74               |
| UEP12  | —        | —         | —       | EPHSHK | EPCONDIS | EPOUTEN | EPINEN | EPSTALL | 74               |
| UEP13  | —        | —         | —       | EPHSHK | EPCONDIS | EPOUTEN | EPINEN | EPSTALL | 74               |
| UEP14  | —        | —         | —       | EPHSHK | EPCONDIS | EPOUTEN | EPINEN | EPSTALL | 74               |
| UEP15  | —        | —         | —       | EPHSHK | EPCONDIS | EPOUTEN | EPINEN | EPSTALL | 74               |

**Legend:** — = unimplemented, read as ‘0’. Shaded cells are not used by the USB module.

**Note 1:** This table includes only those hardware mapped SFRs located in Bank 15 of the data memory space. The Buffer Descriptor registers, which are mapped into Bank 4 and are not true SFRs, are listed separately in [Table 22-3](#).

# PIC18F46J50 FAMILY

## 22.9 Overview of USB

This section presents some of the basic USB concepts and useful information necessary to design a USB device. Although much information is provided in this section, there is a plethora of information provided within the USB specifications and class specifications. Thus, the reader is encouraged to refer to the USB specifications for more information ([www.usb.org](http://www.usb.org)). If you are very familiar with the details of USB, then this section serves as a basic, high-level refresher of USB.

### 22.9.1 LAYERED FRAMEWORK

USB device functionality is structured into a layered framework, graphically illustrated in Figure 22-12. Each level is associated with a functional level within the device. The highest layer, other than the device, is the configuration. A device may have multiple configurations. For example, a particular device may have multiple power requirements based on Self-Power Only or Bus Power Only modes.

For each configuration, there may be multiple interfaces. Each interface could support a particular mode of that configuration.

Below the interface is the endpoint(s). Data is directly moved at this level. There can be as many as 16 bidirectional endpoints. Endpoint 0 is always a control endpoint, and by default, when the device is on the bus, Endpoint 0 must be available to configure the device.

### 22.9.2 FRAMES

Information communicated on the bus is grouped into 1 ms time slots, referred to as frames. Each frame can contain many transactions to various devices and endpoints. See Figure 22-8 for an example of a transaction within a frame.

### 22.9.3 TRANSFERS

There are four transfer types defined in the USB specification.

- **Isochronous:** This type provides a transfer method for large amounts of data (up to 1023 bytes) with timely delivery ensured; however, the data integrity is not ensured. This is good for streaming applications where small data loss is not critical, such as audio.
- **Bulk:** This type of transfer method allows for large amounts of data to be transferred with ensured data integrity; however, the delivery timeliness is not ensured.
- **Interrupt:** This type of transfer provides for ensured timely delivery for small blocks of data, plus data integrity is ensured.
- **Control:** This type provides for device setup control.

While full-speed devices support all transfer types, low-speed devices are limited to interrupt and control transfers only.

### 22.9.4 POWER

Power is available from the USB. The USB specification defines the bus power requirements. Devices may either be self-powered or bus-powered. Self-powered devices draw power from an external source, while bus-powered devices use power supplied from the bus.

FIGURE 22-12: USB LAYERS



The USB specification limits the power taken from the bus. Each device is ensured 100 mA at approximately 5V (one unit load). Additional power may be requested, up to a maximum of 500 mA.

Note that power above one unit load is a request and the host or hub is not obligated to provide the extra current. Thus, a device capable of consuming more than one unit load must be able to maintain a low-power configuration of a 1-unit load or less, if necessary.

The USB specification also defines a Suspend mode. In this situation, current must be limited to 500  $\mu$ A, averaged over one second. A device must enter a suspend state after 3 ms of inactivity (i.e., no SOF tokens for 3 ms). A device entering Suspend mode must drop current consumption within 10 ms after suspend. Likewise, when signaling a wake-up, the device must signal a wake-up within 10 ms of drawing current above the suspend limit.

## 22.9.5 ENUMERATION

When the device is initially attached to the bus, the host enters an enumeration process in an attempt to identify the device. Essentially, the host interrogates the device, gathering information, such as power consumption, data rates and sizes, protocol, and other descriptive information; descriptors contain this information. A typical enumeration process would be as follows:

1. USB Reset – Reset the device. Thus, the device is not configured and does not have an address (Address 0).
2. Get Device Descriptor – The host requests a small portion of the device descriptor.
3. USB Reset – Reset the device again.
4. Set Address – The host assigns an address to the device.
5. Get Device Descriptor – The host retrieves the device descriptor, gathering information, such as manufacturer, type of device and maximum control packet size.
6. Get configuration descriptors.
7. Get any other descriptors.
8. Set a configuration.

The exact enumeration process depends on the host.

## 22.9.6 DESCRIPTORS

There are eight different standard descriptor types, of which, five are most important for this device.

### 22.9.6.1 Device Descriptor

The device descriptor provides general information, such as manufacturer, product number, serial number, the class of the device and the number of configurations. There is only one device descriptor.

### 22.9.6.2 Configuration Descriptor

The configuration descriptor provides information on the power requirements of the device and how many different interfaces are supported when in this configuration. There may be more than one configuration for a device (i.e., low-power and high-power configurations).

### 22.9.6.3 Interface Descriptor

The interface descriptor details the number of endpoints used in this interface, as well as the class of the interface. There may be more than one interface for a configuration.

### 22.9.6.4 Endpoint Descriptor

The endpoint descriptor identifies the transfer type ([Section 22.9.3 “Transfers”](#)) and direction, and some other specifics for the endpoint. There may be many endpoints in a device and endpoints may be shared in different configurations.

### 22.9.6.5 String Descriptor

Many of the previous descriptors reference one or more string descriptors. String descriptors provide human readable information about the layer ([Section 22.9.1 “Layered Framework”](#)) they describe. Often, these strings show up in the host to help the user identify the device. String descriptors are generally optional to save memory and are encoded in a unicode format.

## 22.9.7 BUS SPEED

Each USB device must indicate its bus presence and speed to the host. This is accomplished through a 1.5 k $\Omega$  resistor, which is connected to the bus at the time of the attachment event.

Depending on the speed of the device, the resistor pulls up either the D+ or D- line to 3.3V. For a low-speed device, the pull-up resistor is connected to the D- line. For a full-speed device, the pull-up resistor is connected to the D+ line.

## 22.9.8 CLASS SPECIFICATIONS AND DRIVERS

USB specifications include class specifications, which operating system vendors optionally support. Examples of classes include Audio, Mass Storage, Communications and Human Interface (HID). In most cases, a driver is required at the host side to ‘talk’ to the USB device. In custom applications, a driver may need to be developed. Fortunately, drivers are available for most common host systems for the most common classes of devices. Thus, these drivers can be reused.

# PIC18F46J50 FAMILY

---

NOTES:



## 23.0 COMPARATOR MODULE

The analog comparator module contains two comparators that can be independently configured in a variety of ways. The inputs can be selected from the analog inputs and two internal voltage references. The digital outputs are available at the pin level and can also be read through the control register. Multiple output and interrupt event generation is also available. [Figure 23-1](#) provides a generic single comparator from the module.

Key features of the module are:

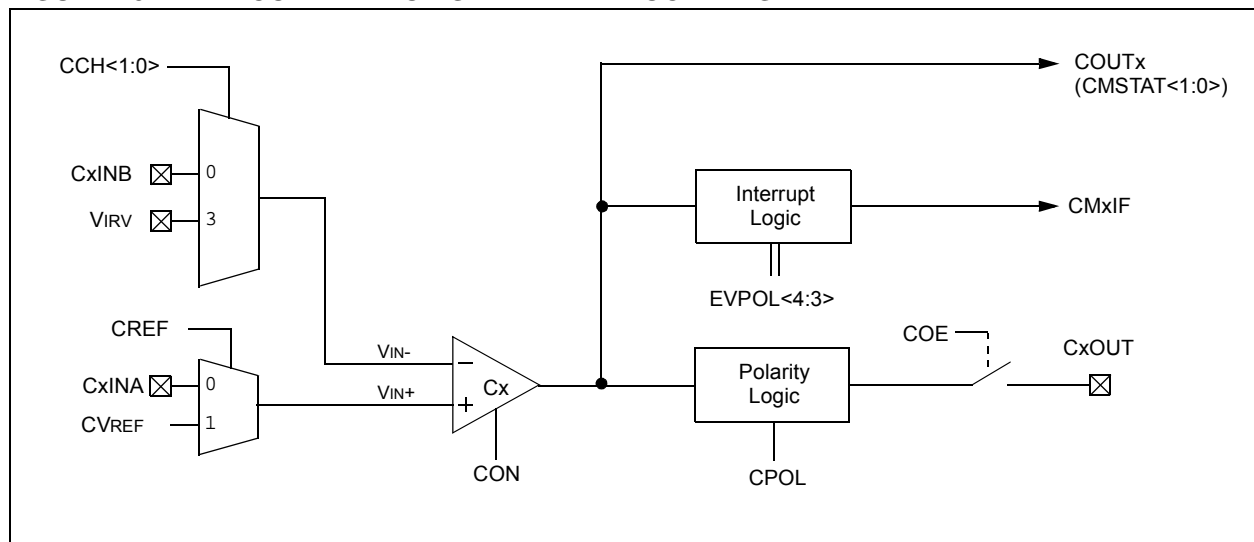
- Independent comparator control
- Programmable input configuration
- Output to both pin and register levels
- Programmable output polarity
- Independent interrupt generation for each comparator with configurable interrupt-on-change

## 23.1 Registers

The CMxCON registers ([Register 23-1](#)) select the input and output configuration for each comparator, as well as the settings for interrupt generation.

The CMSTAT register ([Register 23-2](#)) provides the output results of the comparators. The bits in this register are read-only.

**FIGURE 23-1: COMPARATOR SIMPLIFIED BLOCK DIAGRAM**



# PIC18F46J50 FAMILY

## REGISTER 23-1: CMxCON: COMPARATOR CONTROL x REGISTER (ACCESS FD2h, FD1h)

|       |       |       |        |        |       |       |       |
|-------|-------|-------|--------|--------|-------|-------|-------|
| R/W-0 | R/W-0 | R/W-0 | R/W-1  | R/W-1  | R/W-1 | R/W-1 | R/W-1 |
| CON   | COE   | CPOL  | EVPOL1 | EVPOL0 | CREF  | CCH1  | CCH0  |
| bit 7 |       |       |        |        |       |       | bit 0 |

### Legend:

R = Readable bit                      W = Writable bit                      U = Unimplemented bit, read as '0'  
 -n = Value at POR                      '1' = Bit is set                      '0' = Bit is cleared                      x = Bit is unknown

- bit 7            **CON:** Comparator Enable bit  
                   1 = Comparator is enabled  
                   0 = Comparator is disabled
- bit 6            **COE:** Comparator Output Enable bit  
                   1 = Comparator output is present on the CxOUT pin (assigned in the PPS module)  
                   0 = Comparator output is internal only
- bit 5            **CPOL:** Comparator Output Polarity Select bit  
                   1 = Comparator output is inverted  
                   0 = Comparator output is not inverted
- bit 4-3        **EVPOL<1:0>:** Interrupt Polarity Select bits  
                   11 = Interrupt generation on any change of the output<sup>(1)</sup>  
                   10 = Interrupt generation only on high-to-low transition of the output  
                   01 = Interrupt generation only on low-to-high transition of the output  
                   00 = Interrupt generation is disabled
- bit 2            **CREF:** Comparator Reference Select bit (non-inverting input)  
                   1 = Non-inverting input connects to internal CVREF voltage  
                   0 = Non-inverting input connects to CxINA pin
- bit 1-0        **CCH<1:0>:** Comparator Channel Select bits  
                   11 = Inverting input of the comparator connects to VIRV (0.6V)  
                   00 = Inverting input of the comparator connects to CxINB pin

**Note 1:** The CMxIF bit is automatically set any time this mode is selected and must be cleared by the application after the initial configuration.

## REGISTER 23-2: CMSTAT: COMPARATOR STATUS REGISTER (ACCESS F70h)

|       |     |     |     |     |     |       |       |
|-------|-----|-----|-----|-----|-----|-------|-------|
| U-0   | U-0 | U-0 | U-0 | U-0 | U-0 | R-1   | R-1   |
| —     | —   | —   | —   | —   | —   | COUT2 | COUT1 |
| bit 7 |     |     |     |     |     |       | bit 0 |

### Legend:

R = Readable bit                      W = Writable bit                      U = Unimplemented bit, read as '0'  
 -n = Value at POR                      '1' = Bit is set                      '0' = Bit is cleared                      x = Bit is unknown

- bit 7-2        **Unimplemented:** Read as '0'
- bit 1-0        **COUT<2:1>:** Comparator x Status bits  
                   If CPOL = 0 (non-inverted polarity):  
                   1 = Comparator VIN+ > VIN-  
                   0 = Comparator VIN+ < VIN-  
                   If CPOL = 1 (inverted polarity):  
                   1 = Comparator VIN+ < VIN-  
                   0 = Comparator VIN+ > VIN-

## 23.2 Comparator Operation

A single comparator is shown in [Figure 23-2](#), along with the relationship between the analog input levels and the digital output. When the analog input at  $V_{IN+}$  is less than the analog input,  $V_{IN-}$ , the output of the comparator is a digital low level. When the analog input at  $V_{IN+}$  is greater than the analog input,  $V_{IN-}$ , the output of the comparator is a digital high level. The shaded areas of the output of the comparator in [Figure 23-2](#) represent the uncertainty due to input offsets and response time.

**FIGURE 23-2: SINGLE COMPARATOR**



## 23.3 Comparator Response Time

Response time is the minimum time, after selecting a new reference voltage or input source, before the comparator output has a valid level. The response time of the comparator differs from the settling time of the voltage reference. Therefore, both of these times must be considered when determining the total response to a comparator input change. Otherwise, the maximum delay of the comparators should be used (see [Section 30.0 "Electrical Characteristics"](#)).

## 23.4 Analog Input Connection Considerations

[Figure 23-3](#) provides a simplified circuit for an analog input. Since the analog pins are connected to a digital output, they have reverse biased diodes to  $V_{DD}$  and  $V_{SS}$ . The analog input, therefore, must be between  $V_{SS}$  and  $V_{DD}$ . If the input voltage deviates from this range by more than 0.6V in either direction, one of the diodes is forward biased and a latch-up condition may occur. A maximum source impedance of 10 k $\Omega$  is recommended for the analog sources. Any external component connected to an analog input pin, such as a capacitor or a Zener diode, should have very little leakage current.

**FIGURE 23-3: COMPARATOR ANALOG INPUT MODEL**



# PIC18F46J50 FAMILY

## 23.5 Comparator Control and Configuration

Each comparator has up to eight possible combinations of inputs: up to four external analog inputs and one of two internal voltage references.

Both comparators allow a selection of the signal from pin, CxINA, or the voltage from the comparator reference (CVREF) on the non-inverting channel. This is compared to either CxINB, CTMU or the microcontroller's fixed internal reference voltage (VIRV, 0.6V nominal) on the inverting channel.

Table 23-1 provides the comparator inputs and outputs tied to fixed I/O pins.

**TABLE 23-1: COMPARATOR INPUTS AND OUTPUTS**

| Comparator | Input or Output | I/O Pin      |
|------------|-----------------|--------------|
| 1          | C1INA (VIN+)    | RA0          |
|            | C1INB (VIN-)    | RA3          |
|            | C1OUT           | Remapped RPN |
| 2          | C2INA(VIN+)     | RA1          |
|            | C2INB(VIN-)     | RA2          |
|            | C2OUT           | Remapped RPN |

### 23.5.1 COMPARATOR ENABLE AND INPUT SELECTION

Setting the CON bit of the CMxCON register (CMxCON<7>) enables the comparator for operation. Clearing the CON bit disables the comparator, resulting in minimum current consumption.

The CCH<1:0> bits in the CMxCON register (CMxCON<1:0>) direct either one of three analog input pins, or the Internal Reference Voltage (VIRV), to the comparator, VIN-. Depending on the comparator operating mode, either an external or internal voltage reference may be used. The analog signal present at VIN- is compared to the signal at VIN+ and the digital output of the comparator is adjusted accordingly.

The external reference is used when CREF = 0 (CMxCON<2>) and VIN+ is connected to the CxINA pin. When external voltage references are used, the comparator module can be configured to have the reference sources externally. The reference signal must be between VSS and VDD, and can be applied to either pin of the comparator.

The comparator module also allows the selection of an internally generated voltage reference (CVREF) from the comparator voltage reference module. This module is described in more detail in Section 23.0 "Comparator Module". The reference from the comparator voltage reference module is only available when CREF = 1. In this mode, the internal voltage reference is applied to the comparator's VIN+ pin.

**Note:** The comparator input pin selected by CCH<1:0> must be configured as an input by setting both the corresponding TRIS and PCFG bits in the ANCON1 register.

### 23.5.2 COMPARATOR ENABLE AND OUTPUT SELECTION

The comparator outputs are read through the CMSTAT register. The CMSTAT<0> bit reads the Comparator 1 output and CMSTAT<1> bit reads the Comparator 2 output. These bits are read-only.

The comparator outputs may also be directly output to the RPN I/O pins by setting the COE bit (CMxCON<6>). When enabled, multiplexers in the output path of the pins switch to the output of the comparator.

By default, the comparator's output is at logic high whenever the voltage on VIN+ is greater than on VIN-. The polarity of the comparator outputs can be inverted using the CPOL bit (CMxCON<5>).

The uncertainty of each of the comparators is related to the input offset voltage and the response time given in the specifications, as discussed in Section 23.2 "Comparator Operation".

## 23.6 Comparator Interrupts

The comparator interrupt flag is set whenever any of the following occurs:

- Low-to-high transition of the comparator output
- High-to-low transition of the comparator output
- Any change in the comparator output

The comparator interrupt selection is done by the  $EVPOL<1:0>$  bits in the  $CMxCON$  register ( $CMxCON<4:3>$ ).

In order to provide maximum flexibility, the output of the comparator may be inverted using the  $CPOL$  bit in the  $CMxCON$  register ( $CMxCON<5>$ ). This is functionally identical to reversing the inverting and non-inverting inputs of the comparator for a particular mode.

An interrupt is generated on the low-to-high or high-to-low transition of the comparator output. This mode of interrupt generation is dependent on  $EVPOL<1:0>$  in the  $CMxCON$  register. When  $EVPOL<1:0> = 01$  or  $10$ , the interrupt is generated on a low-to-high or high-to-low transition of the comparator output. Once the interrupt is generated, it is required to clear the interrupt flag by software.

When  $EVPOL<1:0> = 11$ , the comparator interrupt flag is set whenever there is a change in the output value of either comparator. Software will need to maintain information about the status of the output bits, as read from  $CMSTAT<1:0>$ , to determine the actual change that occurred. The  $CMxIF$  bits ( $PIR2<6:5>$ ) are the Comparator Interrupt Flags. The  $CMxIF$  bits must be reset by clearing them. Since it is also possible to write a '1' to this register, a simulated interrupt may be initiated.

Table 23-2 provides the interrupt generation corresponding to comparator input voltages and  $EVPOL$  bit settings.

Both the  $CMxIE$  bits ( $PIE2<6:5>$ ) and the  $PEIE$  bit ( $INTCON<6>$ ) must be set to enable the interrupt. In addition, the  $GIE$  bit ( $INTCON<7>$ ) must also be set. If any of these bits are clear, the interrupt is not enabled, though the  $CMxIF$  bits will still be set if an interrupt condition occurs.

Figure 23-3 provides a simplified diagram of the interrupt section.

**TABLE 23-2: COMPARATOR INTERRUPT GENERATION**

| CPOL | EVPOL<1:0> | Comparator Input Change | COUTx Transition | Interrupt Generated |
|------|------------|-------------------------|------------------|---------------------|
| 0    | 00         | $V_{IN+} > V_{IN-}$     | Low-to-High      | No                  |
|      |            | $V_{IN+} < V_{IN-}$     | High-to-Low      | No                  |
|      | 01         | $V_{IN+} > V_{IN-}$     | Low-to-High      | Yes                 |
|      |            | $V_{IN+} < V_{IN-}$     | High-to-Low      | No                  |
|      | 10         | $V_{IN+} > V_{IN-}$     | Low-to-High      | No                  |
|      |            | $V_{IN+} < V_{IN-}$     | High-to-Low      | Yes                 |
|      | 11         | $V_{IN+} > V_{IN-}$     | Low-to-High      | Yes                 |
|      |            | $V_{IN+} < V_{IN-}$     | High-to-Low      | Yes                 |
| 1    | 00         | $V_{IN+} > V_{IN-}$     | High-to-Low      | No                  |
|      |            | $V_{IN+} < V_{IN-}$     | Low-to-High      | No                  |
|      | 01         | $V_{IN+} > V_{IN-}$     | High-to-Low      | No                  |
|      |            | $V_{IN+} < V_{IN-}$     | Low-to-High      | Yes                 |
|      | 10         | $V_{IN+} > V_{IN-}$     | High-to-Low      | Yes                 |
|      |            | $V_{IN+} < V_{IN-}$     | Low-to-High      | No                  |
|      | 11         | $V_{IN+} > V_{IN-}$     | High-to-Low      | Yes                 |
|      |            | $V_{IN+} < V_{IN-}$     | Low-to-High      | Yes                 |

# PIC18F46J50 FAMILY

## 23.7 Comparator Operation During Sleep

When a comparator is active and the device is placed in Sleep mode, the comparator remains active and the interrupt is functional if enabled. This interrupt will wake-up the device from Sleep mode when enabled. Each operational comparator will consume additional current. To minimize power consumption while in Sleep mode, turn off the comparators (CON = 0) before entering Sleep. If the device wakes up from Sleep, the contents of the CMxCON register are not affected.

## 23.8 Effects of a Reset

A device Reset forces the CMxCON registers to their Reset state. This forces both comparators and the voltage reference to the OFF state.

**TABLE 23-3: REGISTERS ASSOCIATED WITH COMPARATOR MODULE**

| Name   | Bit 7                | Bit 6                | Bit 5                | Bit 4  | Bit 3  | Bit 2  | Bit 1  | Bit 0  | Reset Values on Page: |
|--------|----------------------|----------------------|----------------------|--------|--------|--------|--------|--------|-----------------------|
| INTCON | GIE/GIEH             | PEIE/GIEL            | TMR0IE               | INT0IE | RBIE   | TMR0IF | INT0IF | RBIF   | 69                    |
| PIR2   | OSCFIF               | CM2IF                | CM1IF                | USBIF  | BCL1IF | HLVDIF | TMR3IF | CCP2IF | 71                    |
| PIE2   | OSCFIE               | CM2IE                | CM1IE                | USBIE  | BCL1IE | HLVDIE | TMR3IE | CCP2IE | 71                    |
| IPR2   | OSCFIP               | CM2IP                | CM1IP                | USBIP  | BCL1IP | HLVDIP | TMR3IP | CCP2IP | 71                    |
| CMxCON | CON                  | COE                  | CPOL                 | EVPOL1 | EVPOL0 | CREF   | CCH1   | CCH0   | 70                    |
| CVRCON | CVREN                | CVROE                | CVRR                 | r      | CVR3   | CVR2   | CVR1   | CVR0   | 74                    |
| CMSTAT | —                    | —                    | —                    | —      | —      | —      | COUT2  | COUT1  | 73                    |
| ANCON0 | PCFG7 <sup>(1)</sup> | PCFG6 <sup>(1)</sup> | PCFG5 <sup>(1)</sup> | PCFG4  | PCFG3  | PCFG2  | PCFG1  | PCFG0  | 74                    |
| TRISA  | TRISA7               | TRISA6               | TRISA5               | —      | TRISA3 | TRISA2 | TRISA1 | TRISA0 | 72                    |

**Legend:** — = unimplemented, read as '0', r = reserved. Shaded cells are not related to comparator operation.

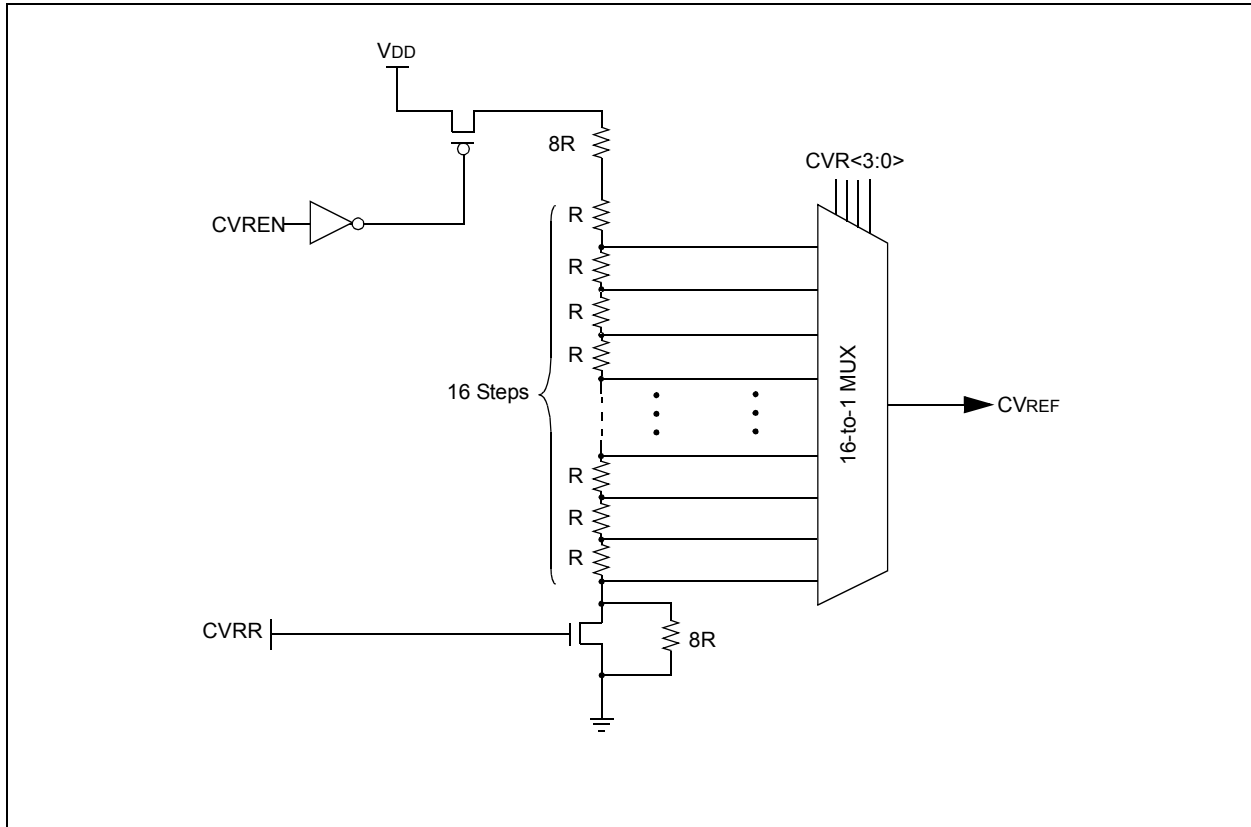
**Note 1:** These bits and/or registers are not implemented on 28-pin devices.

## 24.0 COMPARATOR VOLTAGE REFERENCE MODULE

The comparator voltage reference is a 16-tap resistor ladder network that provides a selectable reference voltage. Although its primary purpose is to provide a reference for the analog comparators, it may also be used independently of them.

Figure 24-1 provides a block diagram of the module. The resistor ladder is segmented to provide two ranges of  $CV_{REF}$  values and has a power-down function to conserve power when the reference is not being used. The module's supply reference is provided by  $V_{DD}/V_{SS}$ .

FIGURE 24-1: COMPARATOR VOLTAGE REFERENCE BLOCK DIAGRAM



# PIC18F46J50 FAMILY

## 24.1 Configuring the Comparator Voltage Reference

The comparator voltage reference module is controlled through the CVRCON register (Register 24-1). The comparator voltage reference provides two ranges of output voltage, each with 16 distinct levels. The range to be used is selected by the CVRR bit (CVRCON<5>). The primary difference between the ranges is the size of the steps selected by the CVREF Selection bits (CVR<3:0>), with one range offering finer resolution. The equations used to calculate the output of the comparator voltage reference are as follows:

### EQUATION 24-1: CALCULATING OUTPUT OF THE COMPARATOR VOLTAGE REFERENCE

|   |
|---|
| <p>When CVRR = 1:<br/> <math>CVREF = ((CVR&lt;3:0&gt;)/24) \times (VDD)</math></p> <p>When CVRR = 0:<br/> <math>CVREF = (VDD/4) + ((CVR&lt;3:0&gt;)/32) \times (VDD)</math></p> |
|---|

The settling time of the comparator voltage reference must be considered when changing the CVREF output (see Table 30-3 in Section 30.0 “Electrical Characteristics”).

### REGISTER 24-1: CVRCON: COMPARATOR VOLTAGE REFERENCE CONTROL REGISTER (BANKED F53h)

|       |                      |       |       |       |       |       |       |
|-------|----------------------|-------|-------|-------|-------|-------|-------|
| R/W-0 | R/W-0                | R/W-0 | R/W-0 | R/W-0 | R/W-0 | R/W-0 | R/W-0 |
| CVREN | CVROE <sup>(1)</sup> | CVRR  | r     | CVR3  | CVR2  | CVR1  | CVR0  |
| bit 7 |                      |       |       |       |       |       | bit 0 |

|                   |                                    |
|-------------------|------------------------------------|
| <b>Legend:</b>    | r = Reserved bit                   |
| R = Readable bit  | W = Writable bit                   |
| -n = Value at POR | U = Unimplemented bit, read as '0' |
|                   | '1' = Bit is set                   |
|                   | '0' = Bit is cleared               |
|                   | x = Bit is unknown                 |

- bit 7      **CVREN:** Comparator Voltage Reference Enable bit  
 1 = CVREF circuit is powered on  
 0 = CVREF circuit is powered down
- bit 6      **CVROE:** Comparator VREF Output Enable bit<sup>(1)</sup>  
 1 = CVREF voltage level is also output on the RA2/AN2/VREF-/CVREF/C2INB pin  
 0 = CVREF voltage is disconnected from the RA2/AN2/VREF-/CVREF/C2INB pin
- bit 5      **CVRR:** Comparator VREF Range Selection bit  
 1 = 0 to 0.667 VDD, with VDD/24 step size (low range)  
 0 = 0.25 VDD to 0.75 VDD, with VDD/32 step size (high range)
- bit 4      **Reserved:** Always maintain as '0'
- bit 3-0    **CVR<3:0>:** Comparator VREF Value Selection bits ( $0 \leq (CVR<3:0>) \leq 15$ )  
 When CVRR = 1:  
 $CVREF = ((CVR<3:0>)/24) \cdot (VDD)$   
 When CVRR = 0:  
 $CVREF = (VDD/4) + ((CVR<3:0>)/32) \cdot (VDD)$

**Note 1:** CVROE overrides the TRIS bit setting.



## 24.2 Voltage Reference Accuracy/Error

The full range of voltage reference cannot be realized due to the construction of the module. The transistors on the top and bottom of the resistor ladder network (see Figure 24-1) keep CVREF from approaching the reference source rails. The voltage reference is derived from the reference source; therefore, the CVREF output changes with fluctuations in that source. The accuracy of the voltage reference can be found in Section 30.0 “Electrical Characteristics”.

## 24.3 Connection Considerations

The voltage reference module operates independently of the comparator module. The output of the reference generator may be connected to the RA2 pin if the CVROE bit is set. Enabling the voltage reference output onto RA2 when it is configured as a digital input will increase current consumption.

The RA2 pin can be used as a simple D/A output with limited drive capability. Due to the limited current drive capability, a buffer must be used on the voltage reference output for external connections to VREF. See Figure 24-2 for an example buffering technique.

## 24.4 Operation During Sleep

When the device wakes up from Sleep through an interrupt or a Watchdog Timer time-out, the contents of the CVRCON register are not affected. To minimize current consumption in Sleep mode, the voltage reference should be disabled.

## 24.5 Effects of a Reset

A device Reset disables the voltage reference by clearing bit, CVREN (CVRCON<7>). This Reset also disconnects the reference from the RA2 pin by clearing bit, CVROE (CVRCON<6>) and selects the high-voltage range by clearing bit, CVRR (CVRCON<5>). The CVR value select bits are also cleared.

**FIGURE 24-2: COMPARATOR VOLTAGE REFERENCE OUTPUT BUFFER EXAMPLE**



**TABLE 24-1: REGISTERS ASSOCIATED WITH COMPARATOR VOLTAGE REFERENCE**

| Name   | Bit 7                | Bit 6                | Bit 5                | Bit 4  | Bit 3  | Bit 2  | Bit 1  | Bit 0  | Reset Values on Page: |
|--------|----------------------|----------------------|----------------------|--------|--------|--------|--------|--------|-----------------------|
| CVRCON | CVREN                | CVROE                | CVRR                 | r      | CVR3   | CVR2   | CVR1   | CVR0   | 74                    |
| CM1CON | CON                  | COE                  | CPOL                 | EVPOL1 | EVPOL0 | CREF   | CCH1   | CCH0   | 70                    |
| CM2CON | CON                  | COE                  | CPOL                 | EVPOL1 | EVPOL0 | CREF   | CCH1   | CCH0   | 70                    |
| TRISA  | TRISA7               | TRISA6               | TRISA5               | —      | TRISA3 | TRISA2 | TRISA1 | TRISA0 | 72                    |
| ANCON0 | PCFG7 <sup>(1)</sup> | PCFG6 <sup>(1)</sup> | PCFG5 <sup>(1)</sup> | PCFG4  | PCFG3  | PCFG2  | PCFG1  | PCFG0  | 74                    |
| ANCON1 | VBGEN                | r                    | —                    | PCFG12 | PCFG11 | PCFG10 | PCFG9  | PCFG8  | 74                    |

**Legend:** — = unimplemented, read as ‘0’, r = reserved. Shaded cells are not used with the comparator voltage reference.

**Note 1:** These bits are only available on 44-pin devices.

# PIC18F46J50 FAMILY

---

NOTES:

# PIC18F46J50 FAMILY

## 25.0 HIGH/LOW VOLTAGE DETECT (HLVD)

The High/Low-Voltage Detect (HLVD) module can be used to monitor the absolute voltage on VDD or the HLVDIN pin. This is a programmable circuit that allows the user to specify both a device voltage trip point and the direction of change from that point.

If the module detects an excursion past the trip point in that direction, an interrupt flag is set. If the interrupt is enabled, the program execution will branch to the interrupt vector address and the software can then respond to the interrupt.

The High/Low-Voltage Detect Control register ([Register 25-1](#)) completely controls the operation of the HLVD module. This allows the circuitry to be “turned off” by the user under software control, which minimizes the current consumption for the device.

[Figure 25-1](#) provides a block diagram for the HLVD module.

### REGISTER 25-1: HLVDCON: HIGH/LOW-VOLTAGE DETECT CONTROL REGISTER (ACCESS F85h)

|         |       |       |        |                       |                       |                       |                       |
|---------|-------|-------|--------|-----------------------|-----------------------|-----------------------|-----------------------|
| R/W-0   | R-0   | R-0   | R/W-0  | R/W-0                 | R/W-0                 | R/W-0                 | R/W-0                 |
| VDIRMAG | BGVST | IRVST | HLVDEN | HLVDL3 <sup>(1)</sup> | HLVDL2 <sup>(1)</sup> | HLVDL1 <sup>(1)</sup> | HLVDL0 <sup>(1)</sup> |
| bit 7   |       |       |        |                       |                       |                       | bit 0                 |

#### Legend:

R = Readable bit

W = Writable bit

U = Unimplemented bit, read as '0'

-n = Value at POR

'1' = Bit is set

'0' = Bit is cleared

x = Bit is unknown

|         |   |
|---------|---|
| bit 7   | <b>VDIRMAG:</b> Voltage Direction Magnitude Select bit<br>1 = Event occurs when voltage equals or exceeds trip point (HLVDL<3:0>)<br>0 = Event occurs when voltage equals or falls below trip point (HLVDL<3:0>)  |
| bit 6   | <b>BGVST:</b> Band Gap Reference Voltages Stable Status Flag bit<br>1 = Indicates internal band gap voltage references are stable<br>0 = Indicates internal band gap voltage references are not stable  |
| bit 5   | <b>IRVST:</b> Internal Reference Voltage Stable Flag bit<br>1 = Indicates that the voltage detect logic will generate the interrupt flag at the specified voltage range<br>0 = Indicates that the voltage detect logic will not generate the interrupt flag at the specified voltage range and the HLVD interrupt should not be enabled |
| bit 4   | <b>HLVDEN:</b> High/Low-Voltage Detect Power Enable bit<br>1 = HLVD enabled<br>0 = HLVD disabled  |
| bit 3-0 | <b>HLVDL&lt;3:0&gt;:</b> Voltage Detection Limit bits <sup>(1)</sup><br>1111 = External analog input is used (input comes from the HLVDIN pin)<br>1110 = Maximum setting<br>.<br>.<br>.<br>1000 = Minimum setting<br>0xxx = Reserved  |

**Note 1:** See [Table 30-8](#) in [Section 30.0 “Electrical Characteristics”](#) for specifications.

The module is enabled by setting the HLVDEN bit. Each time the module is enabled, the circuitry requires some time to stabilize. The IRVST bit is a read-only bit that indicates when the circuit is stable. The module can generate an interrupt only after the circuit is stable and IRVST is set.

The VDIRMAG bit determines the overall operation of the module. When VDIRMAG is cleared, the module monitors for drops in VDD below a predetermined set point. When the bit is set, the module monitors for rises in VDD above the set point.

# PIC18F46J50 FAMILY

## 25.1 Operation

When the HLVD module is enabled, a comparator uses an internally generated reference voltage as the set point. The set point is compared with the trip point, where each node in the resistor divider represents a trip point voltage. The “trip point” voltage is the voltage level at which the device detects a high or low-voltage event, depending on the configuration of the module.

When the supply voltage is equal to the trip point, the voltage tapped off of the resistor array is equal to the internal reference voltage generated by the voltage reference module. The comparator then generates an interrupt signal by setting the HLVDIF bit.

The trip point voltage is software-programmable to any one of 8 values. The trip point is selected by programming the HLVDL<3:0> bits (HLVDCON<3:0>).

Additionally, the HLVD module allows the user to supply the trip voltage to the module from an external source. This mode is enabled when bits, HLVDL<3:0>, are set to '1111'. In this state, the comparator input is multiplexed from the external input pin, HLVDIN. This gives users flexibility because it allows them to configure the HLVD interrupt to occur at any voltage in the valid operating range.

FIGURE 25-1: HLVD MODULE BLOCK DIAGRAM (WITH EXTERNAL INPUT)



## 25.2 HLVD Setup

To set up the HLVD module:

1. Disable the module by clearing the HLVDEN bit (HLVDCON<4>).
2. Write the value to the HLVDL<3:0> bits that selects the desired HLVD trip point.
3. Set the VDIRMAG bit to detect one of the following:
  - High voltage (VDIRMAG = 1)
  - Low voltage (VDIRMAG = 0)
4. Enable the HLVD module by setting the HLVDEN bit.
5. Clear the HLVD Interrupt Flag, HLVDIF (PIR2<2>), which may have been set from a previous interrupt.
6. If interrupts are desired, enable the HLVD interrupt by setting the HLVDIE and GIE/GIEH bits (PIE2<2> and INTCON<7>).

An interrupt will not be generated until the IRVST bit is set.

## 25.3 Current Consumption

When the module is enabled, the HLVD comparator and voltage divider are enabled and will consume static current. The total current consumption, when enabled, is specified in electrical specification Parameter D022B ( $\Delta I_{HLVD}$ ) ([Section 30.2 “DC Characteristics: Power-Down and Supply Current PIC18F46J50 Family \(Industrial\)”](#)).

Depending on the application, the HLVD module does not need to operate constantly. To decrease the current requirements, the HLVD circuitry may only need to be enabled for short periods where the voltage is checked. After doing the check, the HLVD module may be disabled.

## 25.4 HLVD Start-up Time

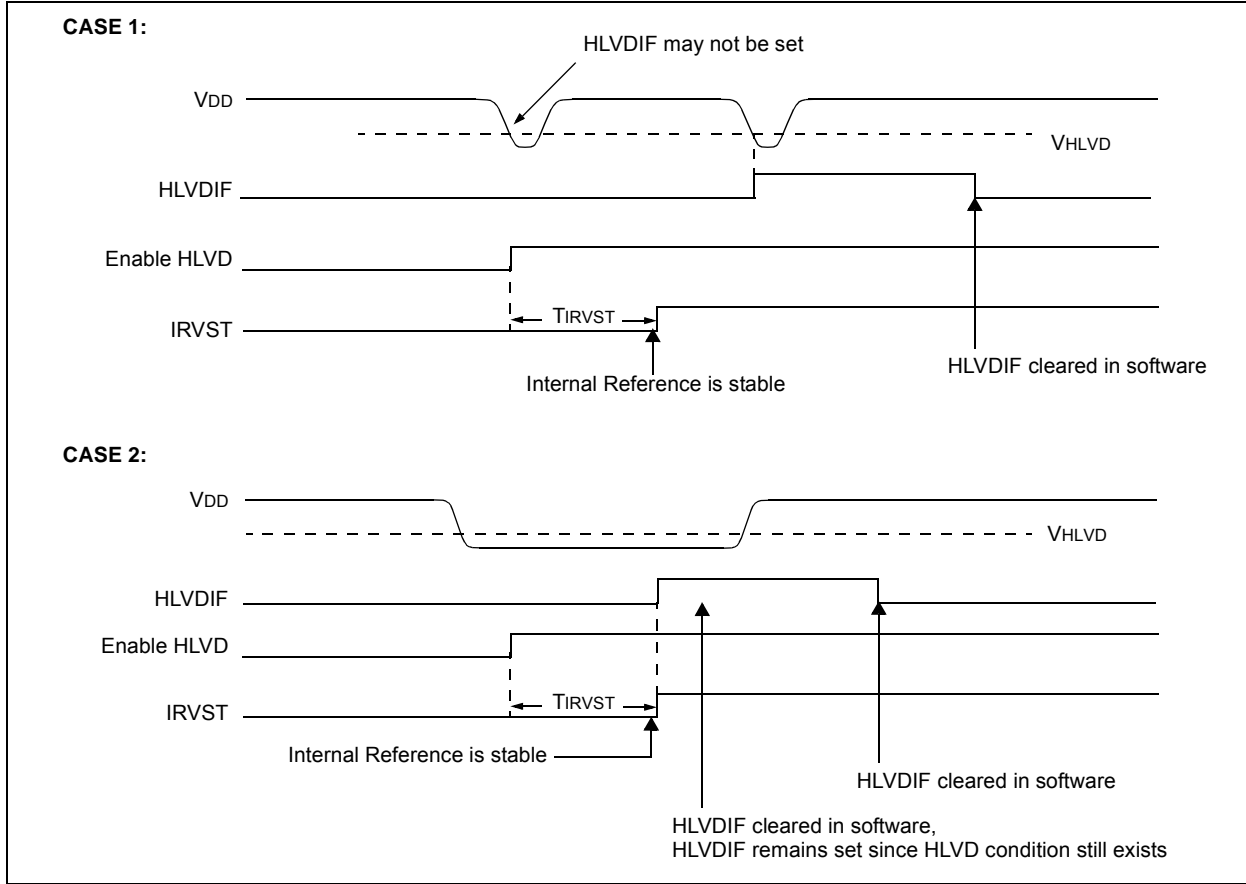
The internal reference voltage of the HLVD module, specified in electrical specification Parameter D420 (see [Table 30-8](#) in [Section 30.0 “Electrical Characteristics”](#)), may be used by other internal circuitry, such as the programmable Brown-out Reset (BOR).

If the HLVD, or other circuits using the voltage reference, are disabled to lower the device's current consumption, the reference voltage circuit will require time to become stable before a low or high-voltage condition can be reliably detected. This start-up time, T<sub>IRVST</sub>, is an interval that is independent of device clock speed. It is specified in electrical specification Parameter 36 ([Table 30-13](#)).

The HLVD interrupt flag is not enabled until T<sub>IRVST</sub> has expired and a stable reference voltage is reached. For this reason, brief excursions beyond the set point may not be detected during this interval. Refer to [Figure 25-2](#) or [Figure 25-3](#).

# PIC18F46J50 FAMILY

**FIGURE 25-2: LOW-VOLTAGE DETECT OPERATION (VDIRMAG = 0)**



# PIC18F46J50 FAMILY

**FIGURE 25-3: HIGH-VOLTAGE DETECT OPERATION (VDIRMAG = 1)**



## 25.5 Applications

In many applications, it is desirable to have the ability to detect a drop below, or rise above, a particular threshold. For example, the HLVD module could be enabled periodically to detect Universal Serial Bus (USB) attach or detach.

For general battery applications, Figure 25-4 provides a possible voltage curve.

Over time, the device voltage decreases. When the device voltage reaches voltage, V<sub>A</sub>, the HLVD logic generates an interrupt at time, T<sub>A</sub>. The interrupt could cause the execution of an ISR, which would allow the application to perform “housekeeping tasks” and perform a controlled shutdown before the device voltage exits the valid operating range at T<sub>B</sub>.

Thus, the HLVD would give the application a time window, represented by the difference between T<sub>A</sub> and T<sub>B</sub>, to safely exit.

**FIGURE 25-4: TYPICAL HIGH/LOW-VOLTAGE DETECT APPLICATION**



# PIC18F46J50 FAMILY

## 25.6 Operation During Sleep

When enabled, the HLVD circuitry continues to operate during Sleep. If the device voltage crosses the trip point, the HLVDIF bit will be set and the device will wake-up from Sleep. Device execution will continue from the interrupt vector address if interrupts have been globally enabled.

## 25.7 Effects of a Reset

A device Reset forces all registers to their Reset state. This forces the HLVD module to be turned off.

**TABLE 25-1: REGISTERS ASSOCIATED WITH HIGH/LOW-VOLTAGE DETECT MODULE**

| Name    | Bit 7    | Bit 6     | Bit 5  | Bit 4  | Bit 3  | Bit 2  | Bit 1  | Bit 0  | Reset Values on Page |
|---------|----------|-----------|--------|--------|--------|--------|--------|--------|----------------------|
| HLVDCON | VDIRMAG  | BGVST     | IRVST  | HLVDEN | HLVDL3 | HLVDL2 | HLVDL1 | HLVDL0 | 72                   |
| INTCON  | GIE/GIEH | PEIE/GIEL | TMR0IE | INT0IE | RBIE   | TMR0IF | INT0IF | RBIF   | 69                   |
| PIR2    | OSCFIF   | CM2IF     | CM1IF  | USBIF  | BCL1IF | HLVDIF | TMR3IF | CCP2IF | 71                   |
| PIE2    | OSCFIE   | CM2IE     | CM1IE  | USBIE  | BCL1IE | HLVDIE | TMR3IE | CCP2IE | 71                   |
| IPR2    | OSCFIP   | CM2IP     | CM1IP  | USBIP  | BCL1IP | HLVDIP | TMR3IP | CCP2IP | 71                   |

**Legend:** — = unimplemented, read as '0'. Shaded cells are unused by the HLVD module.



## 26.0 CHARGE TIME MEASUREMENT UNIT (CTMU)

The Charge Time Measurement Unit (CTMU) is a flexible analog module that provides accurate differential time measurement between pulse sources, as well as asynchronous pulse generation. By working with other on-chip analog modules, the CTMU can be used to precisely measure time, measure capacitance, measure relative changes in capacitance or generate output pulses with a specific time delay. The CTMU is ideal for interfacing with capacitive-based sensors.

The module includes the following key features:

- Up to 13 channels available for capacitive or time measurement input
- On-chip precision current source
- Four-edge input trigger sources
- Polarity control for each edge source

- Control of edge sequence
- Control of response to edges
- Time measurement resolution of 1 nanosecond
- High-precision time measurement
- Time delay of external or internal signal asynchronous to system clock
- Accurate current source suitable for capacitive measurement

The CTMU works in conjunction with the A/D Converter to provide up to 13 channels for time or charge measurement, depending on the specific device and the number of A/D channels available. When configured for time delay, the CTMU is connected to one of the analog comparators. The level-sensitive input edge sources can be selected from four sources: two external inputs, Timer1 or Output Compare Module 1.

Figure 26-1 provides a block diagram of the CTMU.

**FIGURE 26-1: CTMU BLOCK DIAGRAM**



# PIC18F46J50 FAMILY

## 26.1 CTMU Operation

The CTMU works by using a fixed current source to charge a circuit. The type of circuit depends on the type of measurement being made. In the case of charge measurement, the current is fixed, and the amount of time the current is applied to the circuit is fixed. The amount of voltage read by the A/D is then a measurement of the capacitance of the circuit. In the case of time measurement, the current, as well as the capacitance of the circuit, is fixed. In this case, the voltage read by the A/D is then representative of the amount of time elapsed from the time the current source starts and stops charging the circuit.

If the CTMU is being used as a time delay, both capacitance and current source are fixed, as well as the voltage supplied to the comparator circuit. The delay of a signal is determined by the amount of time it takes the voltage to charge to the comparator threshold voltage.

### 26.1.1 THEORY OF OPERATION

The operation of the CTMU is based on this equation for charge:

$$I = C \cdot \frac{dV}{dT}$$

More simply, the amount of charge (Q), measured in coulombs in a circuit, is defined as current in amperes (I) multiplied by the amount of time in seconds that the current flows (t). Charge is also defined as the capacitance in farads (C), multiplied by the voltage of the circuit (V). It follows that:

$$I \cdot t = C \cdot V.$$

The CTMU module provides a constant, known current source. The A/D Converter is used to measure (V) in the equation, leaving two unknowns: capacitance (C) and time (t). The above equation can be used to calculate capacitance or time by either relationship using the known fixed capacitance of the circuit:

$$t = (C \cdot V) / I$$

or by:

$$C = (I \cdot t) / V$$

using a fixed time that the current source is applied to the circuit.

### 26.1.2 CURRENT SOURCE

At the heart of the CTMU is a precision current source, designed to provide a constant reference for measurements. The level of current is user-selectable across three ranges or a total of two orders of magnitude, with the ability to trim the output in  $\pm 2\%$  increments (nominal). The current range is selected by the IRNG<1:0> bits (CTMUICON<1:0>), with a value of '01' representing the lowest range.

Current trim is provided by the ITRIM<5:0> bits (CTMUICON<7:2>). These six bits allow trimming of the current source in steps of approximately 2% per step. Note that half of the range adjusts the current source positively and the other half reduces the current source. A value of '000000' is the neutral position (no change). A value of '100001' is the maximum negative adjustment (approximately -62%) and '011111' is the maximum positive adjustment (approximately +62%).

### 26.1.3 EDGE SELECTION AND CONTROL

CTMU measurements are controlled by edge events occurring on the module's two input channels. Each channel, referred to as Edge 1 and Edge 2, can be configured to receive input pulses from one of the edge input pins (CTED1 and CTED2), Timer1 or Output Compare Module 1. The input channels are level-sensitive, responding to the instantaneous level on the channel rather than a transition between levels. The inputs are selected using the EDG1SEL and EDG2SEL bit pairs (CTMUCONL<3:2 and 6:5>).

In addition to source, each channel can be configured for event polarity using the EDGE2POL and EDGE1POL bits (CTMUCONL<7,4>). The input channels can also be filtered for an edge event sequence (Edge 1 occurring before Edge 2) by setting the EDGSEQEN bit (CTMUCONH<2>).

### 26.1.4 EDGE STATUS

The CTMUCONL register also contains two status bits: EDG2STAT and EDG1STAT (CTMUCONL<1:0>). Their primary function is to show if an edge response has occurred on the corresponding channel. The CTMU automatically sets a particular bit when an edge response is detected on its channel. The level-sensitive nature of the input channels also means that the status bits become set immediately if the channel's configuration is changed and is the same as the channel's current state.

The module uses the edge status bits to control the current source output to external analog modules (such as the A/D Converter). Current is only supplied to external modules when only one (but not both) of the status bits is set, and shuts current off when both bits are either set or cleared. This allows the CTMU to measure current only during the interval between edges. After both status bits are set, it is necessary to clear them before another measurement is taken. Both bits should be cleared simultaneously, if possible, to avoid re-enabling the CTMU current source.

In addition to being set by the CTMU hardware, the edge status bits can also be set by software. This is also the user's application to manually enable or disable the current source. Setting either one (but not both) of the bits enables the current source. Setting or clearing both bits at once disables the source.

## 26.1.5 INTERRUPTS

The CTMU sets its interrupt flag (PIR3<2>) whenever the current source is enabled, then disabled. An interrupt is generated only if the corresponding interrupt enable bit (PIE3<2>) is also set. If edge sequencing is not enabled (i.e., Edge 1 must occur before Edge 2), it is necessary to monitor the edge status bits and determine which edge occurred last and caused the interrupt.

## 26.2 CTMU Module Initialization

The following sequence is a general guideline used to initialize the CTMU module:

1. Select the current source range using the IRNG bits (CTMUICON<1:0>).
2. Adjust the current source trim using the ITRIM bits (CTMUICON<7:2>).
3. Configure the edge input sources for Edge 1 and Edge 2 by setting the EDG1SEL and EDG2SEL bits (CTMUCONL<3:2 and 6:5>).
4. Configure the input polarities for the edge inputs using the EDG1POL and EDG2POL bits (CTMUCONL<4,7>). The default configuration is for negative edge polarity (high-to-low transitions).
5. Enable edge sequencing using the EDGSEQEN bit (CTMUCONH<2>). By default, edge sequencing is disabled.
6. Select the operating mode (Measurement or Time Delay) with the TGEN bit (CTMUCONH<4>). The default mode is Time/Capacitance Measurement.
7. Discharge the connected circuit by setting the IDISSEN bit (CTMUCONH<1>); after waiting a sufficient time for the circuit to discharge, clear IDISSEN.
8. Disable the module by clearing the CTMUEN bit (CTMUCONH<7>).
9. Enable the module by setting the CTMUEN bit.
10. Clear the Edge Status bits: EDG2STAT and EDG1STAT (CTMUCONL<1:0>). Both bits should be cleared simultaneously, if possible, to avoid re-enabling the CTMU current source.
11. Enable both edge inputs by setting the EDGEN bit (CTMUCONH<3>).

Depending on the type of measurement or pulse generation being performed, one or more additional modules may also need to be initialized and configured with the CTMU module:

- Edge Source Generation: In addition to the external edge input pins, both Timer1 and the Output Compare/PWM1 module can be used as edge sources for the CTMU.
- Capacitance or Time Measurement: The CTMU module uses the A/D Converter to measure the voltage across a capacitor that is connected to one of the analog input channels.
- Pulse Generation: When generating system clock independent output pulses, the CTMU module uses Comparator 2 and the associated comparator voltage reference.

## 26.3 Calibrating the CTMU Module

The CTMU requires calibration for precise measurements of capacitance and time, as well as for accurate time delay. If the application only requires measurement of a relative change in capacitance or time, calibration is usually not necessary. An example of this type of application would include a capacitive touch switch, in which the touch circuit has a baseline capacitance, and the added capacitance of the human body changes the overall capacitance of a circuit.

If actual capacitance or time measurement is required, two hardware calibrations must take place: the current source needs calibration to set it to a precise current, and the circuit being measured needs calibration to measure and/or nullify all other capacitance other than that to be measured.

### 26.3.1 CURRENT SOURCE CALIBRATION

The current source on board the CTMU module has a range of  $\pm 62\%$  nominal for each of three current ranges. Therefore, for precise measurements, it is possible to measure and adjust this current source by placing a high-precision resistor,  $R_{CAL}$ , onto an unused analog channel. An example circuit is shown in [Figure 26-2](#). The current source measurement is performed using the following steps:

1. Initialize the A/D Converter.
2. Initialize the CTMU.
3. Enable the current source by setting EDG1STAT (CTMUCONL<0>).
4. Issue a time delay for voltage across  $R_{CAL}$  to stabilize and the ADC sample/hold capacitor to charge.
5. Perform A/D conversion.
6. Calculate the effective source current using  $I = V/R_{CAL}$ , where  $R_{CAL}$  is a high-precision resistance and  $V$  is measured by performing an A/D conversion.

# PIC18F46J50 FAMILY

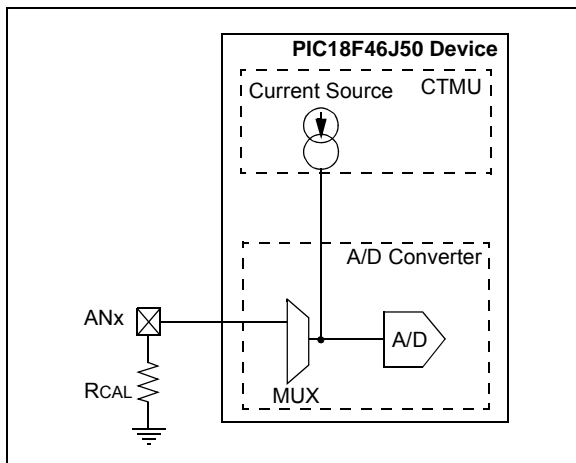
The CTMU current source may be trimmed with the trim bits in CTMUICON, using an iterative process to get an exact desired current. Alternatively, the nominal value without adjustment may be used; it may be stored by the software for use in all subsequent capacitive or time measurements.

To calculate the optimal value for  $R_{CAL}$ , the nominal current must be chosen. For example, if the A/D Converter reference voltage is 3.3V, use 70% of full scale, or 2.31V as the desired approximate voltage to be read by the A/D Converter. If the range of the CTMU current source is selected to be 0.55  $\mu\text{A}$ , the resistor value needed is calculated as  $R_{CAL} = 2.31\text{V}/0.55 \mu\text{A}$ , for a value of 4.2 M $\Omega$ . Similarly, if the current source is chosen to be 5.5  $\mu\text{A}$ ,  $R_{CAL}$  would be 420,000 $\Omega$  and 42,000 $\Omega$  if the current source is set to 55  $\mu\text{A}$ .

A value of 70% of full-scale voltage is chosen to make sure that the A/D Converter is in a range that is well above the noise floor. Keep in mind that if an exact current is chosen that is to incorporate the trimming bits from CTMUICON, the resistor value of  $R_{CAL}$  may need to be adjusted accordingly.  $R_{CAL}$  may also be adjusted to allow for available resistor values.  $R_{CAL}$  should be of the highest precision available, keeping in mind the amount of precision needed for the circuit that the CTMU will be used to measure. A recommended minimum would be 0.1% tolerance.

The following examples show one typical method for performing a CTMU current calibration. [Example 26-1](#) demonstrates how to initialize the A/D Converter and the CTMU. This routine is typical for applications using both modules. [Example 26-2](#) demonstrates one method for the actual calibration routine.

**FIGURE 26-2: CTMU CURRENT SOURCE CALIBRATION CIRCUIT**



# PIC18F46J50 FAMILY

## EXAMPLE 26-1: SETUP FOR CTMU CALIBRATION ROUTINES

```
#include <p18cxxx.h>
/*****
/*Setup CTMU *****/
/*****
void setup(void)

{ //CTMUCON - CTMU Control register

    CTMUCONH = 0x00;           //make sure CTMU is disabled
    CTMUCONL = 0x90;
    //CTMU continues to run when emulator is stopped,CTMU continues
    //to run in idle mode,Time Generation mode disabled, Edges are blocked
    //No edge sequence order, Analog current source not grounded
    //Edge2 polarity = positive level, Edge2 source =
    //source 0, Edgel polarity = positive level, Edgel source = source 0,

    //CTMUICON - CTMU Current Control Register
    CTMUICON = 0x01;           //0.55uA, Nominal - No Adjustment

/*****
//Setup AD converter;
/*****

    TRISA=0x04;               //set channel 2 as an input

    // Configured AN2 as an analog channel
    // ANCON0
    ANCON0 = 0xFB;
    // ANCON1
    ANCON1 = 0x1F;

    // ADCON1
    ADCON1bits.ADFM=1;         // Result format 1= Right justified
    ADCON1bits.ADCAL=0;        // Normal A/D conversion operation
    ADCON1bits.ACQT=1;         // Acquisition time 7 = 20TAD 2 = 4TAD 1=2TAD
    ADCON1bits.ADCS=2;         // Clock conversion bits 6= FOSC/64 2=FOSC/32

    ANCON1bits.VBGEN=1;        // Turn on the Bandgap (if not already on)

    // ADCON0
    ADCON0bits.VCFG0 =0;       // Vref+ = AVdd
    ADCON0bits.VCFG1 =0;       // Vref- = AVss
    ADCON0bits.CHS=2;          // Select ADC channel

    ADCON0bits.ADON=1;         // Turn on ADC

}
```

# PIC18F46J50 FAMILY

## EXAMPLE 26-2: CURRENT CALIBRATION ROUTINE

```
#include <pl8cxxx.h>

#define COUNT 500 // @ 8MHz = 125uS.
#define DELAY for(i=0;i<COUNT;i++)
#define RCAL .027 // R value is 4200000 (4.2M)
// scaled so that result is in
// 1/100th of uA
#define ADSCALE 1023 // for unsigned conversion 10 sig bits
#define ADREF 3.3 // Vdd connected to A/D Vr+

void main(void)
{
    int i;
    int j = 0; // index for loop
    unsigned int Vread = 0;
    double VTot = 0;
    float Vavg=0, Vcal=0, CTMUISrc = 0; // float values stored for calcs

    // assume CTMU and A/D have been setup correctly
    // see Example 25-1 for CTMU & A/D setup
    setup();

    CTMUCONHbits.CTMUEN = 1; // Enable the CTMU
    CTMUCONLbits.EDG1STAT = 0; // Set Edge status bits to zero
    CTMUCONLbits.EDG2STAT = 0;
    for(j=0;j<10;j++)
    {
        CTMUCONHbits.IDISSEN = 1; // drain charge on the circuit
        DELAY; // wait 125us
        CTMUCONHbits.IDISSEN = 0; // end drain of circuit

        CTMUCONLbits.EDG1STAT = 1; // Begin charging the circuit
        // using CTMU current source
        DELAY; // wait for 125us
        CTMUCONLbits.EDG1STAT = 0; // Stop charging circuit

        PIR1bits.ADIF = 0; // make sure A/D Int not set
        ADCON0bits.GO=1; // and begin A/D conv.
        while(!PIR1bits.ADIF); // Wait for A/D convert complete

        Vread = ADRES; // Get the value from the A/D
        PIR1bits.ADIF = 0; // Clear A/D Interrupt Flag
        VTot += Vread; // Add the reading to the total
    }

    Vavg = (float)(VTot/10.000); // Average of 10 readings
    Vcal = (float)(Vavg/ADSCALE*ADREF);
    CTMUISrc = Vcal/RCAL; // CTMUISrc is in 1/100ths of uA
}
```

## 26.3.2 CAPACITANCE CALIBRATION

There is a small amount of capacitance from the internal A/D Converter sample capacitor as well as stray capacitance from the circuit board traces and pads that affect the precision of capacitance measurements. A measurement of the stray capacitance can be taken by making sure the desired capacitance to be measured has been removed. The measurement is then performed using the following steps:

1. Initialize the A/D Converter and the CTMU.
2. Set EDG1STAT (= 1).
3. Wait for a fixed delay of time,  $t$ .
4. Clear EDG1STAT.
5. Perform an A/D conversion.
6. Calculate the stray and A/D sample capacitances:

$$C_{\text{OFFSET}} = C_{\text{STRAY}} + C_{\text{AD}} = (I \cdot t) / V$$

where  $I$  is known from the current source measurement step,  $t$  is a fixed delay and  $V$  is measured by performing an A/D conversion.

This measured value is then stored and used for calculations of time measurement or subtracted for capacitance measurement. For calibration, it is expected that the capacitance of  $C_{\text{STRAY}} + C_{\text{AD}}$  is approximately known;  $C_{\text{AD}}$  is approximately 4 pF.

An iterative process may need to be used to adjust the time,  $t$ , that the circuit is charged to obtain a reasonable voltage reading from the A/D Converter. The value of  $t$  may be determined by setting  $C_{\text{OFFSET}}$  to a theoretical value, then solving for  $t$ . For example, if  $C_{\text{STRAY}}$  is theoretically calculated to be 11 pF, and  $V$  is expected to be 70% of  $V_{\text{DD}}$ , or 2.31V, then  $t$  would be

$$(4 \text{ pF} + 11 \text{ pF}) \cdot 2.31\text{V} / 0.55 \text{ mA}$$

or 63  $\mu\text{s}$ .

See [Example 26-3](#) for a typical routine for CTMU capacitance calibration.

# PIC18F46J50 FAMILY

## EXAMPLE 26-3: CAPACITANCE CALIBRATION ROUTINE

```
#include <p18cxxx.h>

#define COUNT 25 // @ 8MHz INTFRC = 62.5 us.
#define ETIME COUNT*2.5 // time in uS
#define DELAY for(i=0;i<COUNT;i++)
#define ADSCALE 1023 // for unsigned conversion 10 sig bits
#define ADREF 3.3 // Vdd connected to A/D Vr+
#define RCAL .027 // R value is 4200000 (4.2M)
// scaled so that result is in
// 1/100th of uA

void main(void)
{
    int i;
    int j = 0; // index for loop
    unsigned int Vread = 0;
    float CTMUISrc, CTMUCap, Vavg, VTot, Vcal;

    // assume CTMU and A/D have been setup correctly
    // see Example 25-1 for CTMU & A/D setup
    setup();

    CTMUCONHbits.CTMUEN = 1; // Enable the CTMU
    CTMUCONLbits.EDG1STAT = 0; // Set Edge status bits to zero
    CTMUCONLbits.EDG2STAT = 0;
    for(j=0;j<10;j++)
    {
        CTMUCONHbits.IDISSEN = 1; // drain charge on the circuit
        DELAY; // wait 125us
        CTMUCONHbits.IDISSEN = 0; // end drain of circuit

        CTMUCONLbits.EDG1STAT = 1; // Begin charging the circuit
        // using CTMU current source
        DELAY; // wait for 125us
        CTMUCONLbits.EDG1STAT = 0; // Stop charging circuit

        PIR1bits.ADIF = 0; // make sure A/D Int not set
        ADCON0bits.GO=1; // and begin A/D conv.
        while(!PIR1bits.ADIF); // Wait for A/D convert complete

        Vread = ADRES; // Get the value from the A/D
        PIR1bits.ADIF = 0; // Clear A/D Interrupt Flag
        VTot += Vread; // Add the reading to the total
    }

    Vavg = (float)(VTot/10.000); // Average of 10 readings
    Vcal = (float)(Vavg/ADSCALE*ADREF);
    CTMUISrc = Vcal/RCAL; // CTMUISrc is in 1/100ths of uA
    CTMUCap = (CTMUISrc*ETIME/Vcal)/100;
}
```



## 26.4 Measuring Capacitance with the CTMU

There are two separate methods of measuring capacitance with the CTMU. The first is the absolute method, in which the actual capacitance value is desired. The second is the relative method, in which the actual capacitance is not needed, rather an indication of a change in capacitance is required.

### 26.4.1 ABSOLUTE CAPACITANCE MEASUREMENT

For absolute capacitance measurements, both the current and capacitance calibration steps found in [Section 26.3 “Calibrating the CTMU Module”](#) should be followed. Capacitance measurements are then performed using the following steps:

1. Initialize the A/D Converter.
2. Initialize the CTMU.
3. Set EDG1STAT.
4. Wait for a fixed delay,  $T$ .
5. Clear EDG1STAT.
6. Perform an A/D conversion.
7. Calculate the total capacitance,  $C_{TOTAL} = (I * T)/V$ , where  $I$  is known from the current source measurement step (see [Section 26.3.1 “Current Source Calibration”](#)),  $T$  is a fixed delay and  $V$  is measured by performing an A/D conversion.
8. Subtract the stray and A/D capacitance ( $C_{OFFSET}$  from [Section 26.3.2 “Capacitance Calibration”](#)) from  $C_{TOTAL}$  to determine the measured capacitance.

### 26.4.2 RELATIVE CHARGE MEASUREMENT

An application may not require precise capacitance measurements. For example, when detecting a valid press of a capacitance-based switch, detecting a relative change of capacitance is of interest. In this type of application, when the switch is open (or not touched), the total capacitance is the capacitance of the combination of the board traces, the A/D Converter, etc. A larger voltage will be measured by the A/D Converter. When the switch is closed (or is touched), the total capacitance is larger due to the addition of the capacitance of the human body to the above listed capacitances, and a smaller voltage will be measured by the A/D Converter.

Detecting capacitance changes is easily accomplished with the CTMU using these steps:

1. Initialize the A/D Converter and the CTMU.
2. Set EDG1STAT.
3. Wait for a fixed delay.
4. Clear EDG1STAT.
5. Perform an A/D conversion.

The voltage measured by performing the A/D conversion is an indication of the relative capacitance. Note that in this case, no calibration of the current source or circuit capacitance measurement is needed. See [Example 26-4](#) for a sample software routine for a capacitive touch switch.

# PIC18F46J50 FAMILY

## EXAMPLE 26-4: ROUTINE FOR CAPACITIVE TOUCH SWITCH

```
#include <p18cxxx.h>

#define COUNT 500                //@ 8MHz = 125uS.
#define DELAY for(i=0;i<COUNT;i++)
#define OPENSW 1000              //Un-pressed switch value
#define TRIP 300                 //Difference between pressed
                                //and un-pressed switch
#define HYST 65                  //amount to change
                                //from pressed to un-pressed

#define PRESSED 1
#define UNPRESSED 0

void main(void)
{
    unsigned int Vread;           //storage for reading
    unsigned int switchState;
    int i;

    //assume CTMU and A/D have been setup correctly
    //see Example 25-1 for CTMU & A/D setup
    setup();

    CTMUCONHbits.CTMUEN = 1;     // Enable the CTMU
    CTMUCONLbits.EDG1STAT = 0;   // Set Edge status bits to zero
    CTMUCONLbits.EDG2STAT = 0;

    CTMUCONHbits.IDISSEN = 1;    //drain charge on the circuit
    DELAY;                        //wait 125us
    CTMUCONHbits.IDISSEN = 0;    //end drain of circuit

    CTMUCONLbits.EDG1STAT = 1;   //Begin charging the circuit
                                //using CTMU current source
    DELAY;                        //wait for 125us
    CTMUCONLbits.EDG1STAT = 0;   //Stop charging circuit

    PIR1bits.ADIF = 0;           //make sure A/D Int not set
    ADCON0bits.GO=1;             //and begin A/D conv.
    while(!PIR1bits.ADIF);       //Wait for A/D convert complete

    Vread = ADRES;               //Get the value from the A/D

    if(Vread < OPENSW - TRIP)
    {
        switchState = PRESSED;
    }
    else if(Vread > OPENSW - TRIP + HYST)
    {
        switchState = UNPRESSED;
    }
}
```

## 26.5 Measuring Time with the CTMU Module

Time can be precisely measured after the ratio ( $C/I$ ) is measured from the current and capacitance calibration step by following these steps:

1. Initialize the A/D Converter and the CTMU.
2. Set EDG1STAT.
3. Set EDG2STAT.
4. Perform an A/D conversion.
5. Calculate the time between edges as  $T = (C/I) * V$ , where  $I$  is calculated in the current calibration step (Section 26.3.1 "Current Source Calibration"),  $C$  is calculated in the capacitance calibration step (Section 26.3.2 "Capacitance Calibration") and  $V$  is measured by performing the A/D conversion.

It is assumed that the time measured is small enough that the capacitance,  $C_{AD} + C_{EXT}$ , provides a valid voltage to the A/D Converter. For the smallest time measurement, always set the A/D Channel Select register (AD1CHS) to an unused A/D channel; the corresponding pin which is not connected to any circuit board trace. This minimizes added stray capacitance, keeping the total circuit capacitance close to that of the A/D Converter itself. To measure longer time intervals, an external capacitor may be connected to an A/D channel and this channel selected when making a time measurement.

**FIGURE 26-3: TYPICAL CONNECTIONS AND INTERNAL CONFIGURATION FOR TIME MEASUREMENT**



# PIC18F46J50 FAMILY

## 26.6 Creating a Delay with the CTMU Module

A unique feature on board the CTMU module is its ability to generate system clock independent output pulses, based on an external capacitor value. This is accomplished using the internal comparator voltage reference module, Comparator 2 input pin and an external capacitor. The pulse is output onto the CTPLS pin. To enable this mode, set the TGEN bit.

See Figure 26-4 for an example circuit.  $C_{PULSE}$  is chosen by the user to determine the output pulse width on CTPLS. The pulse width is calculated by  $T = (C_{PULSE}/I) * V$ , where  $I$  is known from the current source measurement step (Section 26.3.1 “Current Source Calibration”) and  $V$  is the internal reference voltage (CVREF).

An example use of this feature is for interfacing with variable capacitive-based sensors, such as a humidity sensor. As the humidity varies, the pulse width output on CTPLS will vary. The CTPLS output pin can be connected to an input capture pin and the varying pulse width is measured to determine the humidity in the application.

Follow these steps to use this feature:

1. Initialize Comparator 2 (with CPOL = 1).
2. Initialize the comparator voltage reference.
3. Initialize the CTMU and enable time delay generation by setting the TGEN bit.
4. Set EDG1STAT.
5. When  $C_{PULSE}$  charges to the value of the voltage reference trip point, an output pulse is generated on CTPLS.

FIGURE 26-4: TYPICAL CONNECTIONS AND INTERNAL CONFIGURATION FOR PULSE DELAY GENERATION



## 26.7 Operation During Sleep/Idle Modes

### 26.7.1 SLEEP MODE AND DEEP SLEEP MODES

When the device enters any Sleep mode, the CTMU module current source is always disabled. If the CTMU is performing an operation that depends on the current source when Sleep mode is invoked, the operation may not terminate correctly. Capacitance and time measurements may return erroneous values.

### 26.7.2 IDLE MODE

The behavior of the CTMU in Idle mode is determined by the CTMUSIDL bit (CTMUCONH<5>). If CTMUSIDL is cleared, the module will continue to operate in Idle mode. If CTMUSIDL is set, the module's current source is disabled when the device enters Idle mode. If the

module is performing an operation when Idle mode is invoked, in this case, the results will be similar to those with Sleep mode.

## 26.8 Effects of a Reset on CTMU

Upon Reset, all registers of the CTMU are cleared. This leaves the CTMU module disabled, its current source is turned off and all configuration options return to their default settings. The module needs to be re-initialized following any Reset.

If the CTMU is in the process of taking a measurement at the time of Reset, the measurement will be lost. A partial charge may exist on the circuit that was being measured, and should be properly discharged before the CTMU makes subsequent attempts to make a measurement. The circuit is discharged by setting and then clearing the IDISSEN bit (CTMUCONH<1>) while the A/D Converter is connected to the appropriate channel.

# PIC18F46J50 FAMILY

## 26.9 Registers

There are three control registers for the CTMU:

- CTMUCONH
- CTMUCONL
- CTMUICON

The CTMUCONH and CTMUCONL registers ([Register 26-1](#) and [Register 26-2](#)) contain control bits for configuring the CTMU module edge source selection, edge source polarity selection, edge sequencing, A/D trigger, analog circuit capacitor discharge and enables. The CTMUICON register ([Register 26-3](#)) has bits for selecting the current source range and current source trim.

### REGISTER 26-1: CTMUCONH: CTMU CONTROL REGISTER HIGH (ACCESS FB3h)

|        |     |          |       |       |          |         |       |
|--------|-----|----------|-------|-------|----------|---------|-------|
| R/W-0  | U-0 | R/W-0    | R/W-0 | R/W-0 | R/W-0    | R/W-0   | U-0   |
| CTMUEN | —   | CTMUSIDL | TGEN  | EDGEN | EDGSEQEN | IDISSEN | r     |
| bit 7  |     |          |       |       |          |         | bit 0 |

|                   |                  |                                    |
|-------------------|------------------|------------------------------------|
| <b>Legend:</b>    | r = Reserved bit | U = Unimplemented bit, read as '0' |
| R = Readable bit  | W = Writable bit | '0' = Bit is cleared               |
| -n = Value at POR | '1' = Bit is set | x = Bit is unknown                 |

- bit 7      **CTMUEN:** CTMU Enable bit  
           1 = Module is enabled  
           0 = Module is disabled
- bit 6      **Unimplemented:** Read as '0'
- bit 5      **CTMUSIDL:** Stop in Idle Mode bit  
           1 = Discontinue module operation when device enters Idle mode  
           0 = Continue module operation in Idle mode
- bit 4      **TGEN:** Time Generation Enable bit  
           1 = Enables edge delay generation  
           0 = Disables edge delay generation
- bit 3      **EDGEN:** Edge Enable bit  
           1 = Edges are not blocked  
           0 = Edges are blocked
- bit 2      **EDGSEQEN:** Edge Sequence Enable bit  
           1 = Edge 1 event must occur before Edge 2 event can occur  
           0 = No edge sequence is needed
- bit 1      **IDISSEN:** Analog Current Source Control bit  
           1 = Analog current source output is grounded  
           0 = Analog current source output is not grounded
- bit 0      **Reserved:** Write as '0'

# PIC18F46J50 FAMILY

## REGISTER 26-2: CTMUCONL: CTMU CONTROL REGISTER LOW (ACCESS FB2h)

| R/W-0   | R/W-0    | R/W-0    | R/W-0   | R/W-0    | R/W-0    | R/W-x    | R/W-x    |
|---------|----------|----------|---------|----------|----------|----------|----------|
| EDG2POL | EDG2SEL1 | EDG2SEL0 | EDG1POL | EDG1SEL1 | EDG1SEL0 | EDG2STAT | EDG1STAT |
| bit 7   |          |          |         |          |          |          | bit 0    |

### Legend:

R = Readable bit

W = Writable bit

U = Unimplemented bit, read as '0'

-n = Value at POR

'1' = Bit is set

'0' = Bit is cleared

x = Bit is unknown

- bit 7      **EDG2POL:** Edge 2 Polarity Select bit  
1 = Edge 2 is programmed for a positive edge response  
0 = Edge 2 is programmed for a negative edge response
- bit 6-5    **EDG2SEL<1:0>:** Edge 2 Source Select bits  
11 = CTED1 pin  
10 = CTED2 pin  
01 = ECCP1 Output Compare module  
00 = Timer1 module
- bit 4      **EDG1POL:** Edge 1 Polarity Select bit  
1 = Edge 1 is programmed for a positive edge response  
0 = Edge 1 is programmed for a negative edge response
- bit 3-2    **EDG1SEL<1:0>:** Edge 1 Source Select bits  
11 = CTED1 pin  
10 = CTED2 pin  
01 = ECCP1 Output Compare module  
00 = Timer1 module
- bit 1      **EDG2STAT:** Edge 2 Status bit  
1 = Edge 2 event has occurred  
0 = Edge 2 event has not occurred
- bit 0      **EDG1STAT:** Edge 1 Status bit  
1 = Edge 1 event has occurred  
0 = Edge 1 event has not occurred

# PIC18F46J50 FAMILY

**REGISTER 26-3: CTMUICON: CTMU CURRENT CONTROL REGISTER (ACCESS FB1h)**

|        |        |        |        |        |        |       |       |
|--------|--------|--------|--------|--------|--------|-------|-------|
| R/W-0  | R/W-0  | R/W-0  | R/W-0  | R/W-0  | R/W-0  | R/W-0 | R/W-0 |
| ITRIM5 | ITRIM4 | ITRIM3 | ITRIM2 | ITRIM1 | ITRIM0 | IRNG1 | IRNG0 |
| bit 7  |        |        |        |        |        |       | bit 0 |

**Legend:**

R = Readable bit                      W = Writable bit                      U = Unimplemented bit, read as '0'  
 -n = Value at POR                      '1' = Bit is set                      '0' = Bit is cleared                      x = Bit is unknown

bit 7-2        **ITRIM<5:0>**: Current Source Trim bits  
 011111 = Maximum positive change from nominal current  
 011110  
 .  
 .  
 .  
 000001 = Minimum positive change from nominal current  
 000000 = Nominal current output specified by IRNG<1:0>  
 111111 = Minimum negative change from nominal current  
 .  
 .  
 .  
 100010  
 100001 = Maximum negative change from nominal current

bit 1-0        **IRNG<1:0>**: Current Source Range Select bits  
 11 = 100 × Base current  
 10 = 10 × Base current  
 01 = Base current level (0.55 μA nominal)  
 00 = Current source disabled

**TABLE 26-1: REGISTERS ASSOCIATED WITH CTMU MODULE**

| Name     | Bit 7   | Bit 6    | Bit 5    | Bit 4   | Bit 3    | Bit 2    | Bit 1    | Bit 0    | Reset Values on Page: |
|----------|---------|----------|----------|---------|----------|----------|----------|----------|-----------------------|
| CTMUCONH | CTMUEN  | —        | CTMUSIDL | TGEN    | EDGEN    | EDGSEQEN | IDISSEN  | r        | 71                    |
| CTMUCONL | EDG2POL | EDG2SEL1 | EDG2SEL0 | EDG1POL | EDG1SEL1 | EDG1SEL0 | EDG2STAT | EDG1STAT | 71                    |
| CTMUICON | ITRIM5  | ITRIM4   | ITRIM3   | ITRIM2  | ITRIM1   | ITRIM0   | IRNG1    | IRNG0    | 71                    |

**Legend:** — = unimplemented, read as '0', r = reserved bit. Shaded cells are not used during ECCP operation.

# PIC18F46J50 FAMILY

---

NOTES:



## 27.0 SPECIAL FEATURES OF THE CPU

PIC18F46J50 family devices include several features intended to maximize reliability and minimize cost through elimination of external components. These are:

- Oscillator Selection
- Resets:
  - Power-on Reset (POR)
  - Power-up Timer (PWRT)
  - Oscillator Start-up Timer (OST)
  - Brown-out Reset (BOR)
- Interrupts
- Watchdog Timer (WDT)
- Fail-Safe Clock Monitor (FSCM)
- Two-Speed Start-up
- Code Protection
- In-Circuit Serial Programming (ICSP)

The oscillator can be configured for the application depending on frequency, power, accuracy and cost. All of the options are discussed in detail in [Section 3.0 “Oscillator Configurations”](#).

A complete discussion of device Resets and interrupts is available in previous sections of this data sheet. In addition to their Power-up and Oscillator Start-up Timers provided for Resets, the PIC18F46J50 family of devices has a configurable Watchdog Timer (WDT), which is controlled in software.

The inclusion of an internal RC oscillator also provides the additional benefits of a Fail-Safe Clock Monitor (FSCM) and Two-Speed Start-up. FSCM provides for background monitoring of the peripheral clock and automatic switchover in the event of its failure. Two-Speed Start-up enables code to be executed almost immediately on start-up, while the primary clock source completes its start-up delays.

All of these features are enabled and configured by setting the appropriate Configuration register bits.

### 27.1 Configuration Bits

The Configuration bits can be programmed to select various device configurations. The configuration data is stored in the last four words of Flash program memory; [Figure 6-1](#) depicts this. The configuration data gets loaded into the volatile Configuration registers, CONFIG1L through CONFIG4H, which are readable and mapped to program memory starting at location, 300000h.

[Table 27-2](#) provides a complete list. A detailed explanation of the various bit functions is provided in [Register 27-1](#) through [Register 27-6](#).

### 27.1.1 CONSIDERATIONS FOR CONFIGURING THE PIC18F46J50 FAMILY DEVICES

Unlike some previous PIC18 microcontrollers, devices of the PIC18F46J50 family do not use persistent memory registers to store configuration information. The Configuration registers, CONFIG1L through CONFIG4H, are implemented as volatile memory.

Immediately after power-up, or after a device Reset, the microcontroller hardware automatically loads the CONFIG1L through CONFIG4L registers with configuration data stored in nonvolatile Flash program memory. The last four words of Flash program memory, known as the Flash Configuration Words (FCW), are used to store the configuration data.

[Table 27-1](#) provides the Flash program memory, which will be loaded into the corresponding Configuration register.

When creating applications for these devices, users should always specifically allocate the location of the FCW for configuration data. This is to make certain that program code is not stored in this address when the code is compiled.

The four Most Significant bits (MSb) of the FCW, corresponding to CONFIG1H, CONFIG2H, CONFIG3H and CONFIG4H, should always be programmed to ‘1111’. This makes these FCWs appear to be NOP instructions in the remote event that their locations are ever executed by accident.

The four MSbs of the CONFIG1H, CONFIG2H, CONFIG3H and CONFIG4H registers are not implemented, so writing ‘1’s to their corresponding FCW has no effect on device operation.

To prevent inadvertent configuration changes during code execution, the Configuration registers, CONFIG1L through CONFIG4L, are loaded only once per power-up or Reset cycle. User’s firmware can still change the configuration by using self-reprogramming to modify the contents of the FCW.

Modifying the FCW will not change the active contents being used in the CONFIG1L through CONFIG4H registers until after the device is reset.

# PIC18F46J50 FAMILY

**TABLE 27-1: MAPPING OF THE FLASH CONFIGURATION WORDS TO THE CONFIGURATION REGISTERS**

| Configuration Register (Volatile) | Configuration Register Address | Flash Configuration Byte Address |
|-----------------------------------|--------------------------------|----------------------------------|
| CONFIG1L                          | 300000h                        | XXXF8h                           |
| CONFIG1H                          | 300001h                        | XXXF9h                           |
| CONFIG2L                          | 300002h                        | XXXFAh                           |
| CONFIG2H                          | 300003h                        | XXXFBh                           |
| CONFIG3L                          | 300004h                        | XXXFCh                           |
| CONFIG3H                          | 300005h                        | XXXFDh                           |
| CONFIG4L                          | 300006h                        | XXXFEh                           |
| CONFIG4H                          | 300007h                        | XXXFFh                           |

**TABLE 27-2: CONFIGURATION BITS AND DEVICE IDs**

| File Name | Bit 7    | Bit 6             | Bit 5             | Bit 4             | Bit 3             | Bit 2   | Bit 1   | Bit 0   | Default/Unprog. Value <sup>(1)</sup> |                          |
|-----------|----------|-------------------|-------------------|-------------------|-------------------|---------|---------|---------|--------------------------------------|--------------------------|
| 300000h   | CONFIG1L | DEBUG             | XINST             | STVREN            | —                 | PLLDIV2 | PLLDIV1 | PLLDIV0 | WDTEN                                | 111- 1111                |
| 300001h   | CONFIG1H | __ <sup>(2)</sup> | __ <sup>(2)</sup> | __ <sup>(2)</sup> | __ <sup>(2)</sup> | —       | CP0     | CPDIV1  | CPDIV0                               | 1111 -111                |
| 300002h   | CONFIG2L | IESO              | FCMEN             | —                 | LPT1OSC           | T1DIG   | FOSC2   | FOSC1   | FOSC0                                | 11-1 1111                |
| 300003h   | CONFIG2H | __ <sup>(2)</sup> | __ <sup>(2)</sup> | __ <sup>(2)</sup> | __ <sup>(2)</sup> | WDTPS3  | WDTPS2  | WDTPS1  | WDTPS0                               | 1111 1111                |
| 300004h   | CONFIG3L | DSWDTPS3          | DSWDTPS2          | DSWDTPS1          | DSWDTPS0          | DSWDTEN | DSBOREN | RTCOSC  | DSWDTOSC                             | 1111 1111                |
| 300005h   | CONFIG3H | __ <sup>(2)</sup> | __ <sup>(2)</sup> | __ <sup>(2)</sup> | __ <sup>(2)</sup> | MSSPMSK | —       | —       | IOL1WAY                              | 1111 1--1                |
| 300006h   | CONFIG4L | WPCFG             | WPEND             | WPPF5             | WPPF4             | WPPF3   | WPPF2   | WPPF1   | WPPF0                                | 1111 1111                |
| 300007h   | CONFIG4H | __ <sup>(2)</sup> | __ <sup>(2)</sup> | __ <sup>(2)</sup> | __ <sup>(2)</sup> | —       | —       | —       | WPDIS                                | 1111 ---1                |
| 3FFFFEh   | DEVID1   | DEV2              | DEV1              | DEV0              | REV4              | REV3    | REV2    | REV1    | REV0                                 | xxx0 0000 <sup>(3)</sup> |
| 3FFFFFh   | DEVID2   | DEV10             | DEV9              | DEV8              | DEV7              | DEV6    | DEV5    | DEV4    | DEV3                                 | 0100 00xx <sup>(3)</sup> |

**Legend:** x = unknown, u = unchanged, — = unimplemented. Shaded cells are unimplemented, read as '0'.

- Note 1:** Values reflect the unprogrammed state as received from the factory and following Power-on Resets. In all other Reset states, the configuration bytes maintain their previously programmed states.
- 2:** The value of these bits in program memory should always be programmed to '1'. This ensures that the location is executed as a NOP if it is accidentally executed.
- 3:** See [Register 27-9](#) and [Register 27-10](#) for DEVID values. These registers are read-only and cannot be programmed by the user.

# PIC18F46J50 FAMILY

## REGISTER 27-1: CONFIG1L: CONFIGURATION REGISTER 1 LOW (BYTE ADDRESS 300000h)

|                           |        |        |     |         |         |         |        |
|---------------------------|--------|--------|-----|---------|---------|---------|--------|
| R/WO-1                    | R/WO-1 | R/WO-1 | U-0 | R/WO-1  | R/WO-1  | R/WO-1  | R/WO-1 |
| $\overline{\text{DEBUG}}$ | XINST  | STVREN | —   | PLLDIV2 | PLLDIV1 | PLLDIV0 | WDTEN  |
| bit 7                     |        |        |     |         |         |         | bit 0  |

### Legend:

|                   |                     |                                    |
|-------------------|---------------------|------------------------------------|
| R = Readable bit  | WO = Write-Once bit | U = Unimplemented bit, read as '0' |
| -n = Value at POR | '1' = Bit is set    | '0' = Bit is cleared               |
|                   |                     | x = Bit is unknown                 |

- bit 7      **DEBUG:** Background Debugger Enable bit  
 1 = Background debugger is disabled; RB6 and RB7 are configured as general purpose I/O pins  
 0 = Background debugger is enabled; RB6 and RB7 are dedicated to In-Circuit Debug
- bit 6      **XINST:** Extended Instruction Set Enable bit  
 1 = Instruction set extension and Indexed Addressing mode are enabled  
 0 = Instruction set extension and Indexed Addressing mode are disabled
- bit 5      **STVREN:** Stack Overflow/Underflow Reset Enable bit  
 1 = Reset on stack overflow/underflow is enabled  
 0 = Reset on stack overflow/underflow is disabled
- bit 4      **Unimplemented:** Read as '0'
- bit 3-1    **PLLDIV<2:0>:** Oscillator Selection bits  
 Divider must be selected to provide a 4 MHz input into the 96 MHz PLL.  
 111 = No divide – oscillator used directly (4 MHz input)  
 110 = Oscillator divided by 2 (8 MHz input)  
 101 = Oscillator divided by 3 (12 MHz input)  
 100 = Oscillator divided by 4 (16 MHz input)  
 011 = Oscillator divided by 5 (20 MHz input)  
 010 = Oscillator divided by 6 (24 MHz input)  
 001 = Oscillator divided by 10 (40 MHz input)  
 000 = Oscillator divided by 12 (48 MHz input)
- bit 0      **WDTEN:** Watchdog Timer Enable bit  
 1 = WDT is enabled  
 0 = WDT is disabled (control is placed on SWDTEN bit)

# PIC18F46J50 FAMILY

## REGISTER 27-2: CONFIG1H: CONFIGURATION REGISTER 1 HIGH (BYTE ADDRESS 300001h)

|       |     |     |     |     |        |        |        |
|-------|-----|-----|-----|-----|--------|--------|--------|
| U-1   | U-1 | U-1 | U-1 | U-0 | R/WO-1 | R/WO-1 | R/WO-1 |
| —     | —   | —   | —   | —   | CP0    | CPDIV1 | CPDIV0 |
| bit 7 |     |     |     |     |        |        | bit 0  |

### Legend:

R = Readable bit                      WO = Write-Once bit                      U = Unimplemented bit, read as '0'  
 -n = Value at POR                      '1' = Bit is set                      '0' = Bit is cleared                      x = Bit is unknown

bit 7-4                      **Unimplemented:** Program the corresponding Flash Configuration bit to '1'

bit 3                      **Unimplemented:** Maintain as '0'

bit 2                      **CP0:** Code Protection bit  
                                  1 = Program memory is not code-protected  
                                  0 = Program memory is code-protected

bit 1-0                      **CPDIV<1:0>:** CPU System Clock Selection bits  
                                  11 = No CPU system clock divide  
                                  10 = CPU system clock is divided by 2  
                                  01 = CPU system clock is divided by 3  
                                  00 = CPU system clock is divided by 6

# PIC18F46J50 FAMILY

## REGISTER 27-3: CONFIG2L: CONFIGURATION REGISTER 2 LOW (BYTE ADDRESS 300002h)

|        |        |     |         |        |        |        |        |
|--------|--------|-----|---------|--------|--------|--------|--------|
| R/WO-1 | R/WO-1 | U-0 | R/WO-1  | R/WO-1 | R/WO-1 | R/WO-1 | R/WO-1 |
| IESO   | FCMEN  | —   | LPT1OSC | T1DIG  | FOSC2  | FOSC1  | FOSC0  |
| bit 7  |        |     |         |        |        |        | bit 0  |

### Legend:

|                   |                     |                                    |
|-------------------|---------------------|------------------------------------|
| R = Readable bit  | WO = Write-Once bit | U = Unimplemented bit, read as '0' |
| -n = Value at POR | '1' = Bit is set    | '0' = Bit is cleared               |
|                   |                     | x = Bit is unknown                 |

- bit 7      **IESO:** Two-Speed Start-up (Internal/External Oscillator Switchover) Control bit  
1 = Two-Speed Start-up is enabled  
0 = Two-Speed Start-up is disabled
- bit 6      **FCMEN:** Fail-Safe Clock Monitor Enable bit  
1 = Fail-Safe Clock Monitor is enabled  
0 = Fail-Safe Clock Monitor is disabled
- bit 5      **Unimplemented:** Read as '0'
- bit 4      **LPT1OSC:** Low-Power Timer1 Oscillator Enable bit  
1 = Timer1 oscillator is configured for high-power operation  
0 = Timer1 oscillator is configured for low-power operation
- bit 3      **T1DIG:** Secondary Clock Source T1OSCEN Enforcement bit  
1 = Secondary oscillator clock source may be selected (OSCCON<1:0> = 01) regardless of the (T1CON<3>) T1OSCEN state  
0 = Secondary oscillator clock source may not be selected unless T1CON<3> = 1
- bit 2-0    **FOSC<2:0>:** Oscillator Selection bits  
111 = ECPLL oscillator with PLL software controlled, CLKO on RA6  
110 = EC oscillator with CLKO on RA6  
101 = HSPLL oscillator with PLL software controlled  
100 = HS oscillator  
011 = INTOSCPLLO, internal oscillator with PLL software controlled, CLKO on RA6, port function on RA7  
010 = INTOSCPLL, internal oscillator with PLL software controlled, port function on RA6 and RA7  
001 = INTOSCO internal oscillator block (INTRC/INTOSC) with CLKO on RA6, port function on RA7  
000 = INTOSC internal oscillator block (INTRC/INTOSC), port function on RA6 and RA7

# PIC18F46J50 FAMILY

## REGISTER 27-4: CONFIG2H: CONFIGURATION REGISTER 2 HIGH (BYTE ADDRESS 300003h)

|       |     |     |     |        |        |        |        |
|-------|-----|-----|-----|--------|--------|--------|--------|
| U-1   | U-1 | U-1 | U-1 | R/WO-1 | R/WO-1 | R/WO-1 | R/WO-1 |
| —     | —   | —   | —   | WDTPS3 | WDTPS2 | WDTPS1 | WDTPS0 |
| bit 7 |     |     |     |        |        |        | bit 0  |

### Legend:

|                   |                     |                                    |
|-------------------|---------------------|------------------------------------|
| R = Readable bit  | WO = Write-Once bit | U = Unimplemented bit, read as '0' |
| -n = Value at POR | '1' = Bit is set    | '0' = Bit is cleared               |
|                   |                     | x = Bit is unknown                 |

bit 7-4      **Unimplemented:** Program the corresponding Flash Configuration bit to '1'

bit 3-0      **WDTPS<3:0>:** Watchdog Timer Postscale Select bits

1111 = 1:32,768  
 1110 = 1:16,384  
 1101 = 1:8,192  
 1100 = 1:4,096  
 1011 = 1:2,048  
 1010 = 1:1,024  
 1001 = 1:512  
 1000 = 1:256  
 0111 = 1:128  
 0110 = 1:64  
 0101 = 1:32  
 0100 = 1:16  
 0011 = 1:8  
 0010 = 1:4  
 0001 = 1:2  
 0000 = 1:1

# PIC18F46J50 FAMILY

## REGISTER 27-5: CONFIG3L: CONFIGURATION REGISTER 3 LOW (BYTE ADDRESS 300004h)

| R/WO-1                  | R/WO-1                  | R/WO-1                  | R/WO-1                  | R/WO-1                 | R/WO-1  | R/WO-1 | R/WO-1                  |
|-------------------------|-------------------------|-------------------------|-------------------------|------------------------|---------|--------|-------------------------|
| DSWDTPS3 <sup>(1)</sup> | DSWDTPS2 <sup>(1)</sup> | DSWDTPS1 <sup>(1)</sup> | DSWDTPS0 <sup>(1)</sup> | DSWDTEN <sup>(1)</sup> | DSBOREN | RTCOSC | DSWDTOSC <sup>(1)</sup> |
| bit 7                   |                         |                         |                         |                        |         |        | bit 0                   |

### Legend:

|                   |                     |  |
|-------------------|---------------------|--|
| R = Readable bit  | WO = Write-Once bit | U = Unimplemented bit, read as '0'           |
| -n = Value at POR | '1' = Bit is set    | '0' = Bit is cleared      x = Bit is unknown |

bit 7-4      **DSWDTPS<3:0>**: Deep Sleep Watchdog Timer Postscale Select bits<sup>(1)</sup>  
 The DSWDT prescaler is 32. This creates an approximate base time unit of 1 ms.  
 1111 = 1:2,147,483,648 (25.7 days)  
 1110 = 1:536,870,912 (6.4 days)  
 1101 = 1:134,217,728 (38.5 hours)  
 1100 = 1:33,554,432 (9.6 hours)  
 1011 = 1:8,388,608 (2.4 hours)  
 1010 = 1:2,097,152 (36 minutes)  
 1001 = 1:524,288 (9 minutes)  
 1000 = 1:131,072 (135 seconds)  
 0111 = 1:32,768 (34 seconds)  
 0110 = 1:8,192 (8.5 seconds)  
 0101 = 1:2,048 (2.1 seconds)  
 0100 = 1:512 (528 ms)  
 0011 = 1:128 (132 ms)  
 0010 = 1:32 (33 ms)  
 0001 = 1:8 (8.3 ms)  
 0000 = 1:2 (2.1 ms)

bit 3      **DSWDTEN**: Deep Sleep Watchdog Timer Enable bit<sup>(1)</sup>  
 1 = DSWDT is enabled  
 0 = DSWDT is disabled

bit 2      **DSBOREN**: "F" Device Deep Sleep BOR Enable bit, "LF" Device VDD BOR Enable bit  
For "F" Devices:  
 1 = VDD sensing BOR is enabled in Deep Sleep  
 0 = VDD sensing BOR circuit is always disabled  
For "LF" Devices:  
 1 = VDD sensing BOR circuit is always enabled  
 0 = VDD sensing BOR circuit is always disabled

bit 1      **RTCOSC**: RTCC Reference Clock Select bit  
 1 = RTCC uses T1OSC/T1CKI as reference clock  
 0 = RTCC uses INTRC as reference clock

bit 0      **DSWDTOSC**: DSWDT Reference Clock Select bit<sup>(1)</sup>  
 1 = DSWDT uses INTRC as reference clock  
 0 = DSWDT uses T1OSC/T1CKI as reference clock

**Note 1:** These functions are not available on "LF" devices.

# PIC18F46J50 FAMILY

## REGISTER 27-6: CONFIG3H: CONFIGURATION REGISTER 3 HIGH (BYTE ADDRESS 300005h)

|       |     |     |     |         |     |     |         |
|-------|-----|-----|-----|---------|-----|-----|---------|
| U-1   | U-1 | U-1 | U-1 | R/WO-1  | U-0 | U-0 | R/WO-1  |
| —     | —   | —   | —   | MSSPMSK | —   | —   | IOL1WAY |
| bit 7 |     |     |     |         |     |     | bit 0   |

### Legend:

R = Readable bit                      WO = Write-Once bit                      U = Unimplemented bit, read as '0'  
 -n = Value at POR                      '1' = Bit is set                      '0' = Bit is cleared                      x = Bit is unknown

- bit 7-4            **Unimplemented:** Program the corresponding Flash Configuration bit to '1'
- bit 3            **MSSPMSK:** MSSP 7-Bit Address Masking Mode Enable bit  
 1 = 7-Bit Address Masking mode is enabled  
 0 = 5-Bit Address Masking mode is enabled
- bit 2-1           **Unimplemented:** Read as '0'
- bit 0            **IOL1WAY:** IOLOCK One-Way Set Enable bit  
 1 = IOLOCK bit (PPSCON<0>) can be set once, provided the unlock sequence has been completed. Once set, the Peripheral Pin Select registers cannot be written to a second time.  
 0 = IOLOCK bit (PPSCON<0>) can be set and cleared as needed, provided the unlock sequence has been completed

## REGISTER 27-7: CONFIG4L: CONFIGURATION REGISTER 4 LOW (BYTE ADDRESS 300006h)

|        |        |                      |                      |        |        |        |        |
|--------|--------|----------------------|----------------------|--------|--------|--------|--------|
| R/WO-1 | R/WO-1 | R/WO-1               | R/WO-1               | R/WO-1 | R/WO-1 | R/WO-1 | R/WO-1 |
| WPCFG  | WPEND  | WFPF5 <sup>(2)</sup> | WFPF4 <sup>(3)</sup> | WFPF3  | WFPF2  | WFPF1  | WFPF0  |
| bit 7  |        |                      |                      |        |        |        | bit 0  |

### Legend:

R = Readable bit                      WO = Write-Once bit                      U = Unimplemented bit, read as '0'  
 -n = Value at POR                      '1' = Bit is set                      '0' = Bit is cleared                      x = Bit is unknown

- bit 7            **WPCFG:** Write/Erase Protect Configuration Region Select bit  
 1 = Configuration Words page is not erase/write-protected unless WPEND and WFPF<5:0> settings include the Configuration Words page (and WPDIS = 0)<sup>(1)</sup>  
 0 = Configuration Words page is erase/write-protected, regardless of WPDIS, WPEND and WFPF<5:0><sup>(1)</sup>
- bit 6            **WPEND:** Write/Erase Protect Region Select bit (valid when WPDIS = 0)  
 1 = Flash pages, WFPF<5:0> to Configuration Words page, are erase/write-protected  
 0 = Flash pages, 0 to WFPF<5:0>, are erase/write-protected
- bit 5-0           **WFPF<5:0>:** Write/Erase Protect Page Start/End Location bits  
 Used with WPEND bit to define which pages in Flash will be erase/write-protected.

- Note 1:** The "Configuration Words page" contains the FCWs and is the last page of implemented Flash memory on a given device. Each page consists of 1,024 bytes. For example, on a device with 64 Kbytes of Flash, the first page is 0 and the last page (Configuration Words page) is 63 (3Fh).
- 2:** Implemented in 64-Kbyte devices (PIC18FX6J50). This bit is reserved on 32-Kbyte and 16-Kbyte devices (PIC18FX5J50 and PIC18FX4J50) and should always be programmed to '0' for proper operation on these devices.
- 3:** Implemented in 64-Kbyte and 32-Kbyte devices. This bit is reserved on 16-Kbyte devices (PIC18FX4J50) and should always be programmed to '0' for proper operation on these devices.



# PIC18F46J50 FAMILY

## REGISTER 27-8: CONFIG4H: CONFIGURATION REGISTER 4 HIGH (BYTE ADDRESS 300007h)

|       |     |     |     |     |     |     |        |
|-------|-----|-----|-----|-----|-----|-----|--------|
| U-1   | U-1 | U-1 | U-1 | U-0 | U-0 | U-0 | R/WO-1 |
| —     | —   | —   | —   | —   | —   | —   | WPDIS  |
| bit 7 |     |     |     |     |     |     | bit 0  |

### Legend:

R = Readable bit                      WO = Write-Once bit                      U = Unimplemented bit, read as '0'  
 -n = Value at POR                      '1' = Bit is set                      '0' = Bit is cleared                      x = Bit is unknown

bit 7-4                      **Unimplemented:** Program the corresponding Flash Configuration bit to '1'  
 bit 3-1                      **Unimplemented:** Read as '0'  
 bit 0                      **WPDIS:** Write-Protect Disable bit  
                                  1 = WFPF<5:0> and WPEND bits are ignored; the specified region is not erase/write-protected  
                                  0 = WFPF<5:0> and WPEND bits are enabled; erase/write-protect is active for the selected region

## REGISTER 27-9: DEVID1: DEVICE ID REGISTER 1 FOR PIC18F46J50 FAMILY DEVICES (BYTE ADDRESS 3FFFFEh)

|       |      |      |      |      |      |      |       |
|-------|------|------|------|------|------|------|-------|
| R     | R    | R    | R    | R    | R    | R    | R     |
| DEV2  | DEV1 | DEV0 | REV4 | REV3 | REV2 | REV1 | REV0  |
| bit 7 |      |      |      |      |      |      | bit 0 |

### Legend:

R = Readable bit                      W = Writable bit                      U = Unimplemented bit, read as '0'  
 -n = Value at POR                      '1' = Bit is set                      '0' = Bit is cleared                      x = Bit is unknown

bit 7-5                      **DEV<2:0>:** Device ID bits  
                                  These bits are used with the DEV<10:3> bits in Device ID Register 2 to identify the part number. See [Register 27-10](#).  
 bit 4-0                      **REV<4:0>:** Revision ID bits  
                                  These bits are used to indicate the device revision.

# PIC18F46J50 FAMILY

## REGISTER 27-10: DEVID2: DEVICE ID REGISTER 2 FOR PIC18F46J50 FAMILY DEVICES (BYTE ADDRESS 3FFFFh)

|       |      |      |      |      |      |      |       |
|-------|------|------|------|------|------|------|-------|
| R     | R    | R    | R    | R    | R    | R    | R     |
| DEV10 | DEV9 | DEV8 | DEV7 | DEV6 | DEV5 | DEV4 | DEV3  |
| bit 7 |      |      |      |      |      |      | bit 0 |

### Legend:

R = Readable bit

W = Writable bit

U = Unimplemented bit, read as '0'

-n = Value at POR

'1' = Bit is set

'0' = Bit is cleared

x = Bit is unknown

bit 7-0

**DEV<10:3>**: Device ID bits

These bits are used with the DEV<2:0> bits in the Device ID Register 1 to identify the part number.

| DEV<10:3><br>(DEVID2<7:0>) | DEV<2:0><br>(DEVID1<7:5>) | Device       |
|----------------------------|---------------------------|--------------|
| 0100 1100                  | 101                       | PIC18F46J50  |
| 0100 1100                  | 100                       | PIC18F45J50  |
| 0100 1100                  | 011                       | PIC18F44J50  |
| 0100 1100                  | 010                       | PIC18F26J50  |
| 0100 1100                  | 001                       | PIC18F25J50  |
| 0100 1100                  | 000                       | PIC18F24J50  |
| 0100 1101                  | 011                       | PIC18LF46J50 |
| 0100 1101                  | 010                       | PIC18LF45J50 |
| 0100 1101                  | 001                       | PIC18LF44J50 |
| 0100 1101                  | 000                       | PIC18LF26J50 |
| 0100 1100                  | 111                       | PIC18LF25J50 |
| 0100 1100                  | 110                       | PIC18LF24J50 |

## 27.2 Watchdog Timer (WDT)

PIC18F46J50 family devices have both a conventional WDT circuit and a dedicated, Deep Sleep capable Watchdog Timer. When enabled, the conventional WDT operates in normal Run, Idle and Sleep modes. This data sheet section describes the conventional WDT circuit.

The dedicated, Deep Sleep capable WDT can only be enabled in Deep Sleep mode. This timer is described in [Section 4.6.4 “Deep Sleep Watchdog Timer \(DSWDT\)”](#).

The conventional WDT is driven by the INTRC oscillator. When the WDT is enabled, the clock source is also enabled. The nominal WDT period is 4 ms and has the same stability as the INTRC oscillator.

The 4 ms period of the WDT is multiplied by a 16-bit postscaler. Any output of the WDT postscaler is selected by a multiplexer, controlled by the WDTPS bits in Configuration Register 2H. Available periods range from about 4 ms to 135 seconds (2.25 minutes depending on voltage, temperature and WDT postscaler). The WDT and postscaler are cleared

whenever a SLEEP or CLRWDT instruction is executed, or a clock failure (primary or Timer1 oscillator) has occurred.

**Note 1:** The CLRWDT and SLEEP instructions clear the WDT and postscaler counts when executed.

**2:** When a CLRWDT instruction is executed, the postscaler count will be cleared.

### 27.2.1 CONTROL REGISTER

The WDTCON register ([Register 27-11](#)) is a readable and writable register. The SWDTEN bit enables or disables WDT operation. This allows software to override the WDTEN Configuration bit and enable the WDT only if it has been disabled by the Configuration bit.

LVDSTAT is a read-only status bit that is continuously updated and provides information about the current level of VDDCORE. This bit is only valid when the on-chip voltage regulator is enabled.

**FIGURE 27-1: WDT BLOCK DIAGRAM**



# PIC18F46J50 FAMILY

## REGISTER 27-11: WDTCON: WATCHDOG TIMER CONTROL REGISTER (ACCESS FC0h)

|        |                        |        |     |     |       |         |                       |
|--------|------------------------|--------|-----|-----|-------|---------|-----------------------|
| R/W-1  | R-x                    | R-x    | U-0 | R-q | R/W-0 | R/W-0   | R/W-0                 |
| REGSLP | LVDSTAT <sup>(2)</sup> | ULPLVL | —   | DS  | ULPEN | ULPSINK | SWDTEN <sup>(1)</sup> |
| bit 7  |                        |        |     |     |       |         | bit 0                 |

### Legend:

|                   |                  |                                    |                          |
|-------------------|------------------|------------------------------------|--------------------------|
| R = Readable bit  | W = Writable bit | U = Unimplemented bit, read as '0' | q = Depends on condition |
| -n = Value at POR | '1' = Bit is set | '0' = Bit is cleared               | x = Bit is unknown       |

- bit 7     **REGSLP:** Voltage Regulator Low-Power Operation Enable bit  
 1 = On-chip regulator enters low-power operation when device enters Sleep mode  
 0 = On-chip regulator is active even in Sleep mode
- bit 6     **LVDSTAT:** Low-Voltage Detect Status bit<sup>(2)</sup>  
 1 = VDDCORE > 2.45V nominal  
 0 = VDDCORE < 2.45V nominal
- bit 5     **ULPLVL:** Ultra Low-Power Wake-up Output bit (not valid unless ULPEN = 1)  
 1 = Voltage on RA0 > ~0.5V  
 0 = Voltage on RA0 < ~0.5V
- bit 4     **Unimplemented:** Read as '0'
- bit 3     **DS:** Deep Sleep Wake-up Status bit (used in conjunction with RCON, POR and BOR bits to determine Reset source)<sup>(2)</sup>  
 1 = If the last exit from Reset was caused by a normal wake-up from Deep Sleep  
 0 = If the last exit from Reset was not due to a wake-up from Deep Sleep
- bit 2     **ULPEN:** Ultra Low-Power Wake-up Module Enable bit  
 1 = Ultra Low-Power Wake-up module is enabled; ULPLVL bit indicates the comparator output  
 0 = Ultra Low-Power Wake-up module is disabled
- bit 1     **ULPSINK:** Ultra Low-Power Wake-up Current Sink Enable bit  
 1 = Ultra Low-Power Wake-up current sink is enabled  
 0 = Ultra Low-Power Wake-up current sink is disabled
- bit 0     **SWDTEN:** Software Controlled Watchdog Timer Enable bit<sup>(1)</sup>  
 1 = Watchdog Timer is on  
 0 = Watchdog Timer is off

- Note 1:** This bit has no effect if the Configuration bit, WDTEN, is enabled.  
**Note 2:** Not available on devices where the on-chip voltage regulator is disabled ("LF" devices).

**TABLE 27-3: SUMMARY OF WATCHDOG TIMER REGISTERS**

| Name   | Bit 7  | Bit 6   | Bit 5           | Bit 4           | Bit 3           | Bit 2           | Bit 1            | Bit 0            | Reset Values on Page: |
|--------|--------|---------|-----------------|-----------------|-----------------|-----------------|------------------|------------------|-----------------------|
| RCON   | IPEN   | —       | $\overline{CM}$ | $\overline{RI}$ | $\overline{TO}$ | $\overline{PD}$ | $\overline{POR}$ | $\overline{BOR}$ | 70                    |
| WDTCON | REGSLP | LVDSTAT | ULPLVL          | —               | DS              | ULPEN           | ULPSINK          | SWDTEN           | 70                    |

**Legend:** — = unimplemented, read as '0'. Shaded cells are not used by the Watchdog Timer.

## 27.3 On-Chip Voltage Regulator

**Note 1:** The on-chip voltage regulator is only available on parts designated with an “F”, such as PIC18F25J50. The on-chip regulator is disabled on devices with “LF” in their part number.

**2:** The VDDCORE/VCAP pin must never be left floating. On “F” devices, it must be connected to a capacitor, of size, CEFC, to ground. On “LF” devices, VDDCORE/VCAP must be connected to a power supply source between 2.0V and 2.7V.

The digital core logic of the PIC18F46J50 family devices is designed on an advanced manufacturing process, which requires 2.0V to 2.7V. The digital core logic obtains power from the VDDCORE/VCAP power supply pin.

However, in many applications it may be inconvenient to run the I/O pins at the same core logic voltage, as it would restrict the ability of the device to interface with other, higher voltage devices, such as those run at a nominal 3.3V. Therefore, all PIC18F46J50 family devices implement a dual power supply rail topology. The core logic obtains power from the VDDCORE/VCAP pin, while the general purpose I/O pins obtain power from the VDD pin of the microcontroller, which may be supplied with a voltage between 2.15V to 3.6V (“F” device) or 2.0V to 3.6V (“LF” device).

This dual supply topology allows the microcontroller to interface with standard 3.3V logic devices, while running the core logic at a lower voltage of nominally 2.5V.

In order to make the microcontroller more convenient to use, an integrated 2.5V low dropout, low quiescent current linear regulator has been integrated on the die inside PIC18F46J50 family devices. This regulator is designed specifically to supply the core logic of the device. It allows PIC18F46J50 family devices to effectively run from a single power supply rail, without the need for external regulators.

The on-chip voltage regulator is always enabled on “F” devices. The VDDCORE/VCAP pin serves simultaneously as the regulator output pin and the core logic supply power input pin. A capacitor should be connected to the VDDCORE/VCAP pin to ground and is necessary for regulator stability. For example connections for PIC18F and PIC18LF devices, see [Figure 27-2](#).

On “LF” devices, the on-chip regulator is always disabled. This allows the device to save a small amount of quiescent current consumption, which may be

advantageous in some types of applications, such as those which will entirely be running at a nominal 2.5V. On “LF” devices, the VDDCORE/VCAP pin still serves as the core logic power supply input pin, and therefore, must be connected to a 2.0V to 2.7V supply rail at the application circuit board level. On these devices, the I/O pins may still optionally be supplied with a voltage between 2.0V to 3.6V, provided that VDD is always greater than, or equal to, VDDCORE/VCAP. For example connections for PIC18F and PIC18LF devices, see [Figure 27-2](#).

**Note:** In parts designated with an “LF”, such as PIC18LF46J50, VDDCORE must never exceed VDD.

The specifications for core voltage and capacitance are listed in [Section 30.3 “DC Characteristics: PIC18F46J50 Family \(Industrial\)”](#).

### 27.3.1 VOLTAGE REGULATOR TRACKING MODE AND LOW-VOLTAGE DETECTION

When it is enabled, the on-chip regulator provides a constant voltage of 2.5V nominal to the digital core logic. The regulator can provide this level from a VDD of about 2.5V, all the way up to the device’s VDDMAX. It does not have the capability to boost VDD levels below 2.5V. When the VDD supply input voltage drops too low to regulate 2.5V, the regulator enters Tracking mode. In Tracking mode, the regulator output follows VDD, with a typical voltage drop of 100 mV or less.

The on-chip regulator includes a simple Low-Voltage Detect (LVD) circuit. This circuit is separate and independent of the High/Low-Voltage Detect (HLVD) module described in [Section 25.0 “High/Low Voltage Detect \(HLVD\)”](#). The on-chip regulator LVD circuit continuously monitors the VDDCORE voltage level and updates the LVDSTAT bit in the WDTCN register. The LVD detect threshold is set slightly below the normal regulation set point of the on-chip regulator.

Application firmware may optionally poll the LVDSTAT bit to determine when it is safe to run at maximum rated frequency, so as not to inadvertently violate the voltage versus frequency requirements provided by [Figure 30-1](#).

The VDDCORE monitoring LVD circuit is only active when the on-chip regulator is enabled. On “LF” devices, the Analog-to-Digital Converter and the HLVD module can still be used to provide firmware with VDD and VDDCORE voltage level information.

# PIC18F46J50 FAMILY

**FIGURE 27-2: CONNECTIONS FOR THE ON-CHIP REGULATOR**



## 27.3.2 ON-CHIP REGULATOR AND BOR

When the on-chip regulator is enabled, PIC18F46J50 family devices also have a simple brown-out capability. If the voltage supplied to the regulator is inadequate to maintain a minimum output level; the regulator Reset circuitry will generate a **Brown-out Reset (BOR)**. This event is captured by the  $\overline{\text{BOR}}$  flag bit (RCON<0>).

The operation of the BOR is described in more detail in [Section 5.4 “Brown-out Reset \(BOR\)”](#) and [Section 5.4.1 “Detecting BOR”](#). The brown-out voltage levels are specific in [Section 30.1 “DC Characteristics: Supply Voltage PIC18F46J50 Family \(Industrial\)”](#).

## 27.3.3 POWER-UP REQUIREMENTS

The on-chip regulator is designed to meet the power-up requirements for the device. If the application does not use the regulator, then strict power-up conditions must be adhered to. While powering up, VDDCORE should not exceed VDD by 0.3 volts.

## 27.3.4 OPERATION IN SLEEP MODE

When enabled, the on-chip regulator always consumes a small incremental amount of current over  $I_{DD}$ . This includes when the device is in Sleep mode, even though the core digital logic does not require much power. To provide additional savings in applications where power resources are critical, the regulator can be configured to automatically enter a lower quiescent draw Standby mode whenever the device goes into Sleep mode. This feature is controlled by the REGSLP bit (WDTCON<7>, [Register 27-11](#)). If this bit is set upon entry into Sleep mode, the regulator will transition into a lower power state. In this state, the regulator still provides a regulated output voltage necessary to maintain SRAM state information, but consumes less quiescent current.

Substantial Sleep mode power savings can be obtained by setting the REGSLP bit, but device wake-up time will increase in order to insure the regulator has enough time to stabilize.

## 27.4 Two-Speed Start-up

The Two-Speed Start-up feature helps to minimize the latency period, from oscillator start-up to code execution, by allowing the microcontroller to use the INTRC oscillator as a clock source until the primary clock source is available. It is enabled by setting the IESO Configuration bit.

Two-Speed Start-up should be enabled only if the primary oscillator mode is HS or HSPLL (Crystal-Based) modes. Since the EC and ECPLL modes do not require an Oscillator Start-up Timer (OST) delay, Two-Speed Start-up should be disabled.

When enabled, Resets and wake-ups from Sleep mode cause the device to configure itself to run from the internal oscillator block as the clock source, following the time-out of the Power-up Timer after a Power-on Reset is enabled. This allows almost immediate code execution while the primary oscillator starts and the OST is running. Once the OST times out, the device automatically switches to PRI\_RUN mode.

In all other power-managed modes, Two-Speed Start-up is not used. The device will be clocked by the currently selected clock source until the primary clock source becomes available. The setting of the IESO bit is ignored.

**FIGURE 27-3: TIMING TRANSITION FOR TWO-SPEED START-UP (INTRC TO HSPLL)**



### 27.4.1 SPECIAL CONSIDERATIONS FOR USING TWO-SPEED START-UP

While using the INTRC oscillator in Two-Speed Start-up, the device still obeys the normal command sequences for entering power-managed modes, including serial `SLEEP` instructions (refer to [Section 4.1.4 "Multiple Sleep Commands"](#)). In practice, this means that user code can change the `SCS<1:0>` bit settings or issue `SLEEP` instructions before the OST times out. This would allow an application to briefly wake-up, perform routine "housekeeping" tasks and return to Sleep before the device starts to operate from the primary oscillator.

User code can also check if the primary clock source is currently providing the device clocking by checking the status of the OST bit (`OSCCON<3>`). If the bit is set, the primary oscillator is providing the clock. Otherwise, the internal oscillator block is providing the clock during wake-up from Reset or Sleep mode.

## 27.5 Fail-Safe Clock Monitor

The Fail-Safe Clock Monitor (FSCM) allows the microcontroller to continue operation in the event of an external oscillator failure by automatically switching the device clock to the internal oscillator block. The FSCM function is enabled by setting the `FCMEN` Configuration bit.

When FSCM is enabled, the INTRC oscillator runs at all times to monitor clocks to peripherals and provide a backup clock in the event of a clock failure. Clock monitoring (shown in [Figure 27-4](#)) is accomplished by creating a sample clock signal, which is the INTRC output divided by 64. This allows ample time between FSCM sample clocks for a peripheral clock edge to occur. The peripheral device clock and the sample clock are presented as inputs to the clock monitor latch. The clock monitor is set on the falling edge of the device clock source but cleared on the rising edge of the sample clock.

# PIC18F46J50 FAMILY

**FIGURE 27-4: FSCM BLOCK DIAGRAM**



Clock failure is tested for on the falling edge of the sample clock. If a sample clock falling edge occurs while the clock monitor is still set, and a clock failure has been detected (Figure 27-5), the following results:

- The FSCM generates an oscillator fail interrupt by setting bit, OSCFIF (PIR2<7>).
- The device clock source is switched to the internal oscillator block (OSCCON is not updated to show the current clock source – this is the Fail-safe condition).
- The WDT is reset.

During switchover, the postscaler frequency from the internal oscillator block may not be sufficiently stable for timing-sensitive applications. In these cases, it may

be desirable to select another clock configuration and enter an alternate power-managed mode. This can be done to attempt a partial recovery or execute a controlled shutdown. See Section 4.1.4 “Multiple Sleep Commands” and Section 27.4.1 “Special Considerations for Using Two-Speed Start-up” for more details.

The FSCM will detect failures of the primary or secondary clock sources only. If the internal oscillator block fails, no failure would be detected, nor would any action be possible.

## 27.5.1 FSCM AND THE WATCHDOG TIMER

Both the FSCM and the WDT are clocked by the INTRC oscillator. Since the WDT operates with a separate divider and counter, disabling the WDT has no effect on the operation of the INTRC oscillator when the FSCM is enabled.

As already noted, the clock source is switched to the INTRC clock when a clock failure is detected; this may mean a substantial change in the speed of code execution. If the WDT is enabled with a small prescale value, a decrease in clock speed allows a WDT time-out to occur and a subsequent device Reset. For this reason, Fail-Safe Clock Monitor events also reset the WDT and postscaler, allowing it to start timing from when execution speed was changed and decreasing the likelihood of an erroneous time-out.

**FIGURE 27-5: FSCM TIMING DIAGRAM**





## 27.5.2 EXITING FAIL-SAFE OPERATION

The Fail-Safe Clock Monitor condition is terminated by either a device Reset or by entering a power-managed mode. On Reset, the controller starts the primary clock source specified in Configuration Register 2H (with any required start-up delays that are required for the oscillator mode, such as the OST or PLL timer). The INTRC oscillator provides the device clock until the primary clock source becomes ready (similar to a Two-Speed Start-up). The clock source is then switched to the primary clock (indicated by the OSTS bit in the OSCCON register becoming set). The FSCM then resumes monitoring the peripheral clock.

The primary clock source may never become ready during start-up. In this case, operation is clocked by the INTRC oscillator. The OSCCON register will remain in its Reset state until a power-managed mode is entered.

## 27.5.3 FSCM INTERRUPTS IN POWER-MANAGED MODES

By entering a power-managed mode, the clock multiplexer selects the clock source selected by the OSCCON register. FSCM of the power-managed clock source resumes in the power-managed mode.

If an oscillator failure occurs during power-managed operation, the subsequent events depend on whether or not the oscillator failure interrupt is enabled. If enabled (OSCFIF = 1), code execution will be clocked by the INTRC multiplexer. An automatic transition back to the failed clock source will not occur.

If the interrupt is disabled, subsequent interrupts while in Idle mode will cause the CPU to begin executing instructions while being clocked by the INTRC source.

## 27.5.4 POR OR WAKE-UP FROM SLEEP

The FSCM is designed to detect oscillator failure at any point after the device has exited Power-on Reset (POR) or low-power Sleep mode. When the primary device clock is either the EC or INTRC modes, monitoring can begin immediately following these events.

For HS or HSPLL modes, the situation is somewhat different. Since the oscillator may require a start-up time considerably longer than the FSCM sample clock time, a false clock failure may be detected. To prevent this, the internal oscillator block is automatically configured as the device clock and functions until the primary clock is stable (the OST and PLL timers have timed

out). This is identical to Two-Speed Start-up mode. Once the primary clock is stable, the INTRC returns to its role as the FSCM source.

**Note:** The same logic that prevents false oscillator failure interrupts on POR, or wake-up from Sleep, will also prevent the detection of the oscillator's failure to start at all following these events. This can be avoided by monitoring the OSTS bit and using a timing routine to determine if the oscillator is taking too long to start. Even so, no oscillator failure interrupt will be flagged.

As noted in [Section 27.4.1 “Special Considerations for Using Two-Speed Start-up”](#), it is also possible to select another clock configuration and enter an alternate power-managed mode while waiting for the primary clock to become stable. When the new power-managed mode is selected, the primary clock is disabled.

## 27.6 Program Verification and Code Protection

For all devices in the PIC18F46J50 family, the on-chip program memory space is treated as a single block. Code protection for this block is controlled by one Configuration bit, CP0. This bit inhibits external reads and writes to the program memory space. It has no direct effect in normal execution mode.

### 27.6.1 CONFIGURATION REGISTER PROTECTION

The Configuration registers are protected against untoward changes or reads in two ways. The primary protection is the write-once feature of the Configuration bits, which prevents reconfiguration once the bit has been programmed during a power cycle. To safeguard against unpredictable events, Configuration bit changes resulting from individual cell level disruptions (such as ESD events) will cause a parity error and trigger a device Reset. This is seen by the user as a Configuration Mismatch (CM) Reset.

The data for the Configuration registers is derived from the FCW in program memory. When the CP0 bit is set, the source data for device configuration is also protected as a consequence.

# PIC18F46J50 FAMILY

---

## 27.7 In-Circuit Serial Programming (ICSP)

PIC18F46J50 family microcontrollers can be serially programmed while in the end application circuit. This is simply done with two lines for clock and data, and three other lines for power, ground and the programming voltage. This allows customers to manufacture boards with unprogrammed devices and then program the microcontroller just before shipping the product. This also allows the most recent firmware or a custom firmware to be programmed.

## 27.8 In-Circuit Debugger

When the  $\overline{\text{DEBUG}}$  Configuration bit is programmed to a '0', the In-Circuit Debugger functionality is enabled. This function allows simple debugging functions when used with MPLAB<sup>®</sup> IDE. When the microcontroller has this feature enabled, some resources are not available for general use.

Table 27-4 lists the resources required by the background debugger.

**TABLE 27-4: DEBUGGER RESOURCES**

|           |                        |
|-----------|------------------------|
| I/O pins: | RB6, RB7               |
| Stack:    | TOSx register reserved |

## 28.0 INSTRUCTION SET SUMMARY

The PIC18F46J50 family of devices incorporates the standard set of 75 PIC18 core instructions, and an extended set of eight new instructions for the optimization of code that is recursive or that utilizes a software stack. The extended set is discussed later in this section.

### 28.1 Standard Instruction Set

The standard PIC18 instruction set adds many enhancements to the previous PIC<sup>®</sup> MCU instruction sets, while maintaining an easy migration from these PIC MCU instruction sets. Most instructions are a single program memory word (16 bits), but there are four instructions that require two program memory locations.

Each single-word instruction is a 16-bit word divided into an opcode, which specifies the instruction type and one or more operands, which further specify the operation of the instruction.

The instruction set is highly orthogonal and is grouped into four basic categories:

- **Byte-oriented** operations
- **Bit-oriented** operations
- **Literal** operations
- **Control** operations

The PIC18 instruction set summary in [Table 28-2](#) lists the **byte-oriented**, **bit-oriented**, **literal** and **control** operations.

[Table 28-1](#) provides the opcode field descriptions.

Most **Byte-oriented** instructions have three operands:

1. The file register (specified by 'f')
2. The destination of the result (specified by 'd')
3. The accessed memory (specified by 'a')

The file register designator, 'f', specifies which file register is to be used by the instruction. The destination designator, 'd', specifies where the result of the operation is to be placed. If 'd' is '0', the result is placed in the WREG register. If 'd' is '1', the result is placed in the file register specified in the instruction.

All **Bit-oriented** instructions have three operands:

1. The file register (specified by 'f')
2. The bit in the file register (specified by 'b')
3. The accessed memory (specified by 'a')

The bit field designator, 'b', selects the number of the bit affected by the operation, while the file register designator, 'f', represents the number of the file in which the bit is located.

The **Literal** instructions may use some of the following operands:

- A literal value to be loaded into a file register (specified by 'k')
- The desired FSR register to load the literal value into (specified by 'f')
- No operand required (specified by '—')

The **Control** instructions may use some of the following operands:

- A program memory address (specified by 'n')
- The mode of the `CALL` or `RETURN` instructions (specified by 's')
- The mode of the table read and table write instructions (specified by 'm')
- No operand required (specified by '—')

All instructions are a single word, except for four double-word instructions. These instructions were made double-word to contain the required information in 32 bits. In the second word, the 4 MSBs are '1's. If this second word is executed as an instruction (by itself), it will execute as a `NOOP`.

All single-word instructions are executed in a single instruction cycle, unless a conditional test is true or the Program Counter (PC) is changed as a result of the instruction. In these cases, the execution takes two instruction cycles with the additional instruction cycle(s) executed as a `NOOP`.

The double-word instructions execute in two instruction cycles.

One instruction cycle consists of four oscillator periods. Thus, for an oscillator frequency of 4 MHz, the normal instruction execution time is 1  $\mu$ s. If a conditional test is true, or the Program Counter is changed as a result of an instruction, the instruction execution time is 2  $\mu$ s. Two-word branch instructions (if true) would take 3  $\mu$ s.

[Figure 28-1](#) provides the general formats that the instructions can have. All examples use the convention 'nnh' to represent a hexadecimal number.

The instruction set summary, provided in [Table 28-2](#), lists the standard instructions recognized by the Microchip MPASM<sup>™</sup> Assembler.

[Section 28.1.1 "Standard Instruction Set"](#) provides a description of each instruction.

# PIC18F46J50 FAMILY

**TABLE 28-1: OPCODE FIELD DESCRIPTIONS**

| Field            | Description  |
|------------------|--|
| a                | RAM access bit:<br>a = 0: RAM location in Access RAM (BSR register is ignored)<br>a = 1: RAM bank is specified by BSR register                                 |
| bbb              | Bit address within an 8-bit file register (0 to 7)   |
| BSR              | Bank Select Register. Used to select the current RAM bank  |
| C, DC, Z, OV, N  | ALU Status bits: <b>C</b> arry, <b>D</b> igit Carry, <b>Z</b> ero, <b>O</b> verflow, <b>N</b> egative  |
| d                | Destination select bit:<br>d = 0: store result in WREG<br>d = 1: store result in file register f   |
| dest             | Destination: either the WREG register or the specified register file location  |
| f                | 8-bit register file address (00h to FFh), or 2-bit FSR designator (0h to 3h)   |
| f <sub>s</sub>   | 12-bit register file address (000h to FFFh). This is the source address  |
| f <sub>d</sub>   | 12-bit register file address (000h to FFFh). This is the destination address   |
| GIE              | Global Interrupt Enable bit  |
| k                | Literal field, constant data or label (may be either an 8-bit, 12-bit or a 20-bit value)   |
| label            | Label name   |
| mm               | The mode of the TBLPTR register for the table read and table write instructions<br>Used only with table read and table write instructions                      |
| *                | No Change to register (such as TBLPTR with table reads and writes)   |
| *+               | Post-Increment register (such as TBLPTR with table reads and writes)   |
| *-               | Post-Decrement register (such as TBLPTR with table reads and writes)   |
| +*               | Pre-Increment register (such as TBLPTR with table reads and writes)  |
| n                | The relative address (2's complement number) for relative branch instructions or the direct address for Call/Branch and Return instructions                    |
| PC               | Program Counter  |
| PCL              | Program Counter Low Byte   |
| PCH              | Program Counter High Byte  |
| PCLATH           | Program Counter High Byte Latch  |
| PCLATU           | Program Counter Upper Byte Latch   |
| $\overline{PD}$  | Power-Down bit   |
| PRODH            | Product of Multiply High Byte  |
| PRODL            | Product of Multiply Low Byte   |
| s                | Fast Call/Return mode select bit:<br>s = 0: do not update into/from shadow registers<br>s = 1: certain registers loaded into/from shadow registers (Fast mode) |
| TBLPTR           | 21-Bit Table Pointer (points to a program memory location)   |
| TABLAT           | 8-Bit Table Latch  |
| T $\overline{O}$ | Time-out bit   |
| TOS              | Top-of-Stack   |
| u                | Unused or Unchanged  |
| WDT              | Watchdog Timer   |
| WREG             | Working register (accumulator)   |
| x                | Don't care ('0' or '1'). The assembler will generate code with x = 0; it is the recommended form of use for compatibility with all Microchip software tools    |
| z <sub>s</sub>   | 7-bit offset value for Indirect Addressing of register files (source)  |
| z <sub>d</sub>   | 7-bit offset value for Indirect Addressing of register files (destination)   |
| { }              | Optional argument  |
| [text]           | Indicates Indexed Addressing   |
| (text)           | The contents of text   |
| [expr]<n>        | Specifies bit n of the register indicated by the pointer, expr   |
| →                | Assigned to  |
| < >              | Register bit field   |
| ∈                | In the set of  |
| <i>italics</i>   | User-defined term (font is Courier New)  |

# PIC18F46J50 FAMILY

## EXAMPLE 28-1: GENERAL FORMAT FOR INSTRUCTIONS

| Byte-oriented file register operations  | Example Instruction |                        |                  |            |        |   |                   |        |           |           |            |            |                   |  |                        |  |                      |   |   |   |        |  |   |                  |    |    |    |   |        |  |                   |  |    |   |   |   |        |  |                  |  |   |
|---|---------------------|------------------------|------------------|------------|--------|---|-------------------|--------|-----------|-----------|------------|------------|-------------------|--|------------------------|--|----------------------|---|---|---|--------|--|---|------------------|----|----|----|---|--------|--|-------------------|--|----|---|---|---|--------|--|------------------|--|---|
| <table style="width: 100%; border-collapse: collapse;"> <tr> <td style="text-align: right;">15</td> <td style="text-align: center;">10</td> <td style="text-align: center;">9</td> <td style="text-align: center;">8</td> <td style="text-align: center;">7</td> <td style="text-align: right;">0</td> </tr> <tr> <td colspan="2" style="border: 1px solid black;">OPCODE</td> <td style="border: 1px solid black; text-align: center;">d</td> <td style="border: 1px solid black; text-align: center;">a</td> <td colspan="2" style="border: 1px solid black;">f (FILE #)</td> </tr> </table> <p>d = 0 for result destination to be WREG register<br/> d = 1 for result destination to be file register (f)<br/> a = 0 to force Access Bank<br/> a = 1 for BSR to select bank<br/> f = 8-bit file register address</p>   | 15                  | 10                     | 9                | 8          | 7      | 0 | OPCODE            |        | d         | a         | f (FILE #) |            | ADDWF MYREG, W, B |  |                        |  |                      |   |   |   |        |  |   |                  |    |    |    |   |        |  |                   |  |    |   |   |   |        |  |                  |  |   |
| 15  | 10                  | 9                      | 8                | 7          | 0      |   |                   |        |           |           |            |            |                   |  |                        |  |                      |   |   |   |        |  |   |                  |    |    |    |   |        |  |                   |  |    |   |   |   |        |  |                  |  |   |
| OPCODE  |                     | d                      | a                | f (FILE #) |        |   |                   |        |           |           |            |            |                   |  |                        |  |                      |   |   |   |        |  |   |                  |    |    |    |   |        |  |                   |  |    |   |   |   |        |  |                  |  |   |
| <p><b>Byte to Byte move operations (2-word)</b></p> <table style="width: 100%; border-collapse: collapse;"> <tr> <td style="text-align: right;">15</td> <td style="text-align: center;">12</td> <td style="text-align: center;">11</td> <td style="text-align: right;">0</td> </tr> <tr> <td colspan="2" style="border: 1px solid black;">OPCODE</td> <td colspan="2" style="border: 1px solid black;">f (Source FILE #)</td> </tr> </table> <table style="width: 100%; border-collapse: collapse;"> <tr> <td style="text-align: right;">15</td> <td style="text-align: center;">12</td> <td style="text-align: center;">11</td> <td style="text-align: right;">0</td> </tr> <tr> <td colspan="2" style="border: 1px solid black;">1111</td> <td colspan="2" style="border: 1px solid black;">f (Destination FILE #)</td> </tr> </table> <p>f = 12-bit file register address</p>  | 15                  | 12                     | 11               | 0          | OPCODE |   | f (Source FILE #) |        | 15        | 12        | 11         | 0          | 1111              |  | f (Destination FILE #) |  | MOVFF MYREG1, MYREG2 |   |   |   |        |  |   |                  |    |    |    |   |        |  |                   |  |    |   |   |   |        |  |                  |  |   |
| 15  | 12                  | 11                     | 0                |            |        |   |                   |        |           |           |            |            |                   |  |                        |  |                      |   |   |   |        |  |   |                  |    |    |    |   |        |  |                   |  |    |   |   |   |        |  |                  |  |   |
| OPCODE  |                     | f (Source FILE #)      |                  |            |        |   |                   |        |           |           |            |            |                   |  |                        |  |                      |   |   |   |        |  |   |                  |    |    |    |   |        |  |                   |  |    |   |   |   |        |  |                  |  |   |
| 15  | 12                  | 11                     | 0                |            |        |   |                   |        |           |           |            |            |                   |  |                        |  |                      |   |   |   |        |  |   |                  |    |    |    |   |        |  |                   |  |    |   |   |   |        |  |                  |  |   |
| 1111  |                     | f (Destination FILE #) |                  |            |        |   |                   |        |           |           |            |            |                   |  |                        |  |                      |   |   |   |        |  |   |                  |    |    |    |   |        |  |                   |  |    |   |   |   |        |  |                  |  |   |
| <p><b>Bit-oriented file register operations</b></p> <table style="width: 100%; border-collapse: collapse;"> <tr> <td style="text-align: right;">15</td> <td style="text-align: center;">12</td> <td style="text-align: center;">11</td> <td style="text-align: center;">9</td> <td style="text-align: center;">8</td> <td style="text-align: center;">7</td> <td style="text-align: right;">0</td> </tr> <tr> <td colspan="2" style="border: 1px solid black;">OPCODE</td> <td style="border: 1px solid black; text-align: center;">b (BIT #)</td> <td style="border: 1px solid black; text-align: center;">a</td> <td colspan="3" style="border: 1px solid black;">f (FILE #)</td> </tr> </table> <p>b = 3-bit position of bit in file register (f)<br/> a = 0 to force Access Bank<br/> a = 1 for BSR to select bank<br/> f = 8-bit file register address</p>   | 15                  | 12                     | 11               | 9          | 8      | 7 | 0                 | OPCODE |           | b (BIT #) | a          | f (FILE #) |                   |  | BSF MYREG, bit, B      |  |                      |   |   |   |        |  |   |                  |    |    |    |   |        |  |                   |  |    |   |   |   |        |  |                  |  |   |
| 15  | 12                  | 11                     | 9                | 8          | 7      | 0 |                   |        |           |           |            |            |                   |  |                        |  |                      |   |   |   |        |  |   |                  |    |    |    |   |        |  |                   |  |    |   |   |   |        |  |                  |  |   |
| OPCODE  |                     | b (BIT #)              | a                | f (FILE #) |        |   |                   |        |           |           |            |            |                   |  |                        |  |                      |   |   |   |        |  |   |                  |    |    |    |   |        |  |                   |  |    |   |   |   |        |  |                  |  |   |
| <p><b>Literal operations</b></p> <table style="width: 100%; border-collapse: collapse;"> <tr> <td style="text-align: right;">15</td> <td style="text-align: center;">8</td> <td style="text-align: center;">7</td> <td style="text-align: right;">0</td> </tr> <tr> <td colspan="2" style="border: 1px solid black;">OPCODE</td> <td colspan="2" style="border: 1px solid black;">k (literal)</td> </tr> </table> <p>k = 8-bit immediate value</p>  | 15                  | 8                      | 7                | 0          | OPCODE |   | k (literal)       |        | MOVLW 7Fh |           |            |            |                   |  |                        |  |                      |   |   |   |        |  |   |                  |    |    |    |   |        |  |                   |  |    |   |   |   |        |  |                  |  |   |
| 15  | 8                   | 7                      | 0                |            |        |   |                   |        |           |           |            |            |                   |  |                        |  |                      |   |   |   |        |  |   |                  |    |    |    |   |        |  |                   |  |    |   |   |   |        |  |                  |  |   |
| OPCODE  |                     | k (literal)            |                  |            |        |   |                   |        |           |           |            |            |                   |  |                        |  |                      |   |   |   |        |  |   |                  |    |    |    |   |        |  |                   |  |    |   |   |   |        |  |                  |  |   |
| <p><b>Control operations</b></p> <p><b>CALL, GOTO and Branch operations</b></p> <table style="width: 100%; border-collapse: collapse;"> <tr> <td style="text-align: right;">15</td> <td style="text-align: center;">8</td> <td style="text-align: center;">7</td> <td style="text-align: right;">0</td> </tr> <tr> <td colspan="2" style="border: 1px solid black;">OPCODE</td> <td colspan="2" style="border: 1px solid black;">n&lt;7:0&gt; (literal)</td> </tr> </table> <table style="width: 100%; border-collapse: collapse;"> <tr> <td style="text-align: right;">15</td> <td style="text-align: center;">12</td> <td style="text-align: center;">11</td> <td style="text-align: right;">0</td> </tr> <tr> <td colspan="2" style="border: 1px solid black;">1111</td> <td colspan="2" style="border: 1px solid black;">n&lt;19:8&gt; (literal)</td> </tr> </table> <p>n = 20-bit immediate value</p> <table style="width: 100%; border-collapse: collapse;"> <tr> <td style="text-align: right;">15</td> <td style="text-align: center;">8</td> <td style="text-align: center;">7</td> <td style="text-align: right;">0</td> </tr> <tr> <td colspan="2" style="border: 1px solid black;">OPCODE</td> <td style="border: 1px solid black; text-align: center;">S</td> <td style="border: 1px solid black;">n&lt;7:0&gt; (literal)</td> </tr> </table> <p>S = Fast bit</p> <table style="width: 100%; border-collapse: collapse;"> <tr> <td style="text-align: right;">15</td> <td style="text-align: center;">11</td> <td style="text-align: center;">10</td> <td style="text-align: right;">0</td> </tr> <tr> <td colspan="2" style="border: 1px solid black;">OPCODE</td> <td colspan="2" style="border: 1px solid black;">n&lt;10:0&gt; (literal)</td> </tr> </table> <table style="width: 100%; border-collapse: collapse;"> <tr> <td style="text-align: right;">15</td> <td style="text-align: center;">8</td> <td style="text-align: center;">7</td> <td style="text-align: right;">0</td> </tr> <tr> <td colspan="2" style="border: 1px solid black;">OPCODE</td> <td colspan="2" style="border: 1px solid black;">n&lt;7:0&gt; (literal)</td> </tr> </table> | 15                  | 8                      | 7                | 0          | OPCODE |   | n<7:0> (literal)  |        | 15        | 12        | 11         | 0          | 1111              |  | n<19:8> (literal)      |  | 15                   | 8 | 7 | 0 | OPCODE |  | S | n<7:0> (literal) | 15 | 11 | 10 | 0 | OPCODE |  | n<10:0> (literal) |  | 15 | 8 | 7 | 0 | OPCODE |  | n<7:0> (literal) |  | <p>GOTO Label</p> <p>CALL MYFUNC</p> <p>BRA MYFUNC</p> <p>BC MYFUNC</p> |
| 15  | 8                   | 7                      | 0                |            |        |   |                   |        |           |           |            |            |                   |  |                        |  |                      |   |   |   |        |  |   |                  |    |    |    |   |        |  |                   |  |    |   |   |   |        |  |                  |  |   |
| OPCODE  |                     | n<7:0> (literal)       |                  |            |        |   |                   |        |           |           |            |            |                   |  |                        |  |                      |   |   |   |        |  |   |                  |    |    |    |   |        |  |                   |  |    |   |   |   |        |  |                  |  |   |
| 15  | 12                  | 11                     | 0                |            |        |   |                   |        |           |           |            |            |                   |  |                        |  |                      |   |   |   |        |  |   |                  |    |    |    |   |        |  |                   |  |    |   |   |   |        |  |                  |  |   |
| 1111  |                     | n<19:8> (literal)      |                  |            |        |   |                   |        |           |           |            |            |                   |  |                        |  |                      |   |   |   |        |  |   |                  |    |    |    |   |        |  |                   |  |    |   |   |   |        |  |                  |  |   |
| 15  | 8                   | 7                      | 0                |            |        |   |                   |        |           |           |            |            |                   |  |                        |  |                      |   |   |   |        |  |   |                  |    |    |    |   |        |  |                   |  |    |   |   |   |        |  |                  |  |   |
| OPCODE  |                     | S                      | n<7:0> (literal) |            |        |   |                   |        |           |           |            |            |                   |  |                        |  |                      |   |   |   |        |  |   |                  |    |    |    |   |        |  |                   |  |    |   |   |   |        |  |                  |  |   |
| 15  | 11                  | 10                     | 0                |            |        |   |                   |        |           |           |            |            |                   |  |                        |  |                      |   |   |   |        |  |   |                  |    |    |    |   |        |  |                   |  |    |   |   |   |        |  |                  |  |   |
| OPCODE  |                     | n<10:0> (literal)      |                  |            |        |   |                   |        |           |           |            |            |                   |  |                        |  |                      |   |   |   |        |  |   |                  |    |    |    |   |        |  |                   |  |    |   |   |   |        |  |                  |  |   |
| 15  | 8                   | 7                      | 0                |            |        |   |                   |        |           |           |            |            |                   |  |                        |  |                      |   |   |   |        |  |   |                  |    |    |    |   |        |  |                   |  |    |   |   |   |        |  |                  |  |   |
| OPCODE  |                     | n<7:0> (literal)       |                  |            |        |   |                   |        |           |           |            |            |                   |  |                        |  |                      |   |   |   |        |  |   |                  |    |    |    |   |        |  |                   |  |    |   |   |   |        |  |                  |  |   |

# PIC18F46J50 FAMILY

**TABLE 28-2: PIC18F46J50 FAMILY INSTRUCTION SET**

| Mnemonic,<br>Operands           | Description                     | Cycles  | 16-Bit Instruction Word |      |      |      | Status<br>Affected | Notes           |            |
|---------------------------------|---------------------------------|---|-------------------------|------|------|------|--------------------|-----------------|------------|
|                                 |                                 |   | MSb                     |      |      | LSb  |                    |                 |            |
| <b>BYTE-ORIENTED OPERATIONS</b> |                                 |   |                         |      |      |      |                    |                 |            |
| ADDWF                           | f, d, a                         | Add WREG and f  | 1                       | 0010 | 01da | ffff | ffff               | C, DC, Z, OV, N | 1, 2       |
| ADDWFC                          | f, d, a                         | Add WREG and Carry bit to f   | 1                       | 0010 | 00da | ffff | ffff               | C, DC, Z, OV, N | 1, 2       |
| ANDWF                           | f, d, a                         | AND WREG with f   | 1                       | 0001 | 01da | ffff | ffff               | Z, N            | 1, 2       |
| CLRF                            | f, a                            | Clear f   | 1                       | 0110 | 101a | ffff | ffff               | Z               | 2          |
| COMF                            | f, d, a                         | Complement f  | 1                       | 0001 | 11da | ffff | ffff               | Z, N            | 1, 2       |
| CPFSEQ                          | f, a                            | Compare f with WREG, Skip =   | 1 (2 or 3)              | 0110 | 001a | ffff | ffff               | None            | 4          |
| CPFSGT                          | f, a                            | Compare f with WREG, Skip >   | 1 (2 or 3)              | 0110 | 010a | ffff | ffff               | None            | 4          |
| CPFSLT                          | f, a                            | Compare f with WREG, Skip <   | 1 (2 or 3)              | 0110 | 000a | ffff | ffff               | None            | 1, 2       |
| DECF                            | f, d, a                         | Decrement f   | 1                       | 0000 | 01da | ffff | ffff               | C, DC, Z, OV, N | 1, 2, 3, 4 |
| DECFSZ                          | f, d, a                         | Decrement f, Skip if 0  | 1 (2 or 3)              | 0010 | 11da | ffff | ffff               | None            | 1, 2, 3, 4 |
| DCFSNZ                          | f, d, a                         | Decrement f, Skip if Not 0  | 1 (2 or 3)              | 0100 | 11da | ffff | ffff               | None            | 1, 2       |
| INCF                            | f, d, a                         | Increment f   | 1                       | 0010 | 10da | ffff | ffff               | C, DC, Z, OV, N | 1, 2, 3, 4 |
| INCFSZ                          | f, d, a                         | Increment f, Skip if 0  | 1 (2 or 3)              | 0011 | 11da | ffff | ffff               | None            | 4          |
| INFSNZ                          | f, d, a                         | Increment f, Skip if Not 0  | 1 (2 or 3)              | 0100 | 10da | ffff | ffff               | None            | 1, 2       |
| IORWF                           | f, d, a                         | Inclusive OR WREG with f  | 1                       | 0001 | 00da | ffff | ffff               | Z, N            | 1, 2       |
| MOVF                            | f, d, a                         | Move f  | 1                       | 0101 | 00da | ffff | ffff               | Z, N            | 1          |
| MOVFF                           | f <sub>s</sub> , f <sub>d</sub> | Move f <sub>s</sub> (source) to 1st word<br>f <sub>d</sub> (destination) 2nd word | 2                       | 1100 | ffff | ffff | ffff               | None            |            |
| MOVWF                           | f, a                            | Move WREG to f  | 1                       | 0110 | 111a | ffff | ffff               | None            |            |
| MULWF                           | f, a                            | Multiply WREG with f  | 1                       | 0000 | 001a | ffff | ffff               | None            | 1, 2       |
| NEGF                            | f, a                            | Negate f  | 1                       | 0110 | 110a | ffff | ffff               | C, DC, Z, OV, N |            |
| RLCF                            | f, d, a                         | Rotate Left f through Carry   | 1                       | 0011 | 01da | ffff | ffff               | C, Z, N         | 1, 2       |
| RLNCF                           | f, d, a                         | Rotate Left f (No Carry)  | 1                       | 0100 | 01da | ffff | ffff               | Z, N            |            |
| RRCF                            | f, d, a                         | Rotate Right f through Carry  | 1                       | 0011 | 00da | ffff | ffff               | C, Z, N         |            |
| RRNCF                           | f, d, a                         | Rotate Right f (No Carry)   | 1                       | 0100 | 00da | ffff | ffff               | Z, N            |            |
| SETF                            | f, a                            | Set f   | 1                       | 0110 | 100a | ffff | ffff               | None            | 1, 2       |
| SUBFWB                          | f, d, a                         | Subtract f from WREG with<br>Borrow   | 1                       | 0101 | 01da | ffff | ffff               | C, DC, Z, OV, N |            |
| SUBWF                           | f, d, a                         | Subtract WREG from f  | 1                       | 0101 | 11da | ffff | ffff               | C, DC, Z, OV, N | 1, 2       |
| SUBWFB                          | f, d, a                         | Subtract WREG from f with<br>Borrow   | 1                       | 0101 | 10da | ffff | ffff               | C, DC, Z, OV, N |            |
| SWAPF                           | f, d, a                         | Swap Nibbles in f   | 1                       | 0011 | 10da | ffff | ffff               | None            | 4          |
| TSTFSZ                          | f, a                            | Test f, Skip if 0   | 1 (2 or 3)              | 0110 | 011a | ffff | ffff               | None            | 1, 2       |
| XORWF                           | f, d, a                         | Exclusive OR WREG with f  | 1                       | 0001 | 10da | ffff | ffff               | Z, N            |            |

- Note 1:** When a PORT register is modified as a function of itself (e.g., MOVF PORTB, 1, 0), the value used will be that value present on the pins themselves. For example, if the data latch is '1' for a pin configured as input and is driven low by an external device, the data will be written back with a '0'.
- 2:** If this instruction is executed on the TMR0 register (and, where applicable, d = 1), the prescaler will be cleared if assigned.
- 3:** If the Program Counter (PC) is modified or a conditional test is true, the instruction requires two cycles. The second cycle is executed as a NOP.
- 4:** Some instructions are two-word instructions. The second word of these instructions will be executed as a NOP unless the first word of the instruction retrieves the information embedded in these 16 bits. This ensures that all program memory locations have a valid instruction.

# PIC18F46J50 FAMILY

**TABLE 28-2: PIC18F46J50 FAMILY INSTRUCTION SET (CONTINUED)**

| Mnemonic,<br>Operands          | Description | Cycles                         | 16-Bit Instruction Word |      |      |      | Status<br>Affected | Notes                             |      |
|--------------------------------|-------------|--------------------------------|-------------------------|------|------|------|--------------------|-----------------------------------|------|
|                                |             |                                | MSb                     |      |      | LSb  |                    |                                   |      |
| <b>BIT-ORIENTED OPERATIONS</b> |             |                                |                         |      |      |      |                    |                                   |      |
| BCF                            | f, b, a     | Bit Clear f                    | 1                       | 1001 | bbba | ffff | ffff               | None                              | 1, 2 |
| BSF                            | f, b, a     | Bit Set f                      | 1                       | 1000 | bbba | ffff | ffff               | None                              | 1, 2 |
| BTFSC                          | f, b, a     | Bit Test f, Skip if Clear      | 1 (2 or 3)              | 1011 | bbba | ffff | ffff               | None                              | 3, 4 |
| BTFSS                          | f, b, a     | Bit Test f, Skip if Set        | 1 (2 or 3)              | 1010 | bbba | ffff | ffff               | None                              | 3, 4 |
| BTG                            | f, b, a     | Bit Toggle f                   | 1                       | 0111 | bbba | ffff | ffff               | None                              | 1, 2 |
| <b>CONTROL OPERATIONS</b>      |             |                                |                         |      |      |      |                    |                                   |      |
| BC                             | n           | Branch if Carry                | 1 (2)                   | 1110 | 0010 | nnnn | nnnn               | None                              | 4    |
| BN                             | n           | Branch if Negative             | 1 (2)                   | 1110 | 0110 | nnnn | nnnn               | None                              |      |
| BNC                            | n           | Branch if Not Carry            | 1 (2)                   | 1110 | 0011 | nnnn | nnnn               | None                              |      |
| BNN                            | n           | Branch if Not Negative         | 1 (2)                   | 1110 | 0111 | nnnn | nnnn               | None                              |      |
| BNOV                           | n           | Branch if Not Overflow         | 1 (2)                   | 1110 | 0101 | nnnn | nnnn               | None                              |      |
| BNZ                            | n           | Branch if Not Zero             | 1 (2)                   | 1110 | 0001 | nnnn | nnnn               | None                              |      |
| BOV                            | n           | Branch if Overflow             | 1 (2)                   | 1110 | 0100 | nnnn | nnnn               | None                              |      |
| BRA                            | n           | Branch Unconditionally         | 2                       | 1101 | 0nnn | nnnn | nnnn               | None                              |      |
| BZ                             | n           | Branch if Zero                 | 1 (2)                   | 1110 | 0000 | nnnn | nnnn               | None                              |      |
| CALL                           | n, s        | Call Subroutine                | 2                       | 1110 | 110s | kkkk | kkkk               | None                              |      |
|                                |             | 1st word                       |                         |      |      |      |                    |                                   |      |
|                                |             | 2nd word                       |                         | 1111 | kkkk | kkkk | kkkk               |                                   |      |
| CLRWDT                         | —           | Clear Watchdog Timer           | 1                       | 0000 | 0000 | 0000 | 0100               | $\overline{TO}$ , $\overline{PD}$ |      |
| DAW                            | —           | Decimal Adjust WREG            | 1                       | 0000 | 0000 | 0000 | 0111               | C                                 |      |
| GOTO                           | n           | Go to Address                  | 2                       | 1110 | 1111 | kkkk | kkkk               | None                              |      |
|                                |             | 1st word                       |                         |      |      |      |                    |                                   |      |
|                                |             | 2nd word                       |                         | 1111 | kkkk | kkkk | kkkk               |                                   |      |
| NOP                            | —           | No Operation                   | 1                       | 0000 | 0000 | 0000 | 0000               | None                              |      |
| NOP                            | —           | No Operation                   | 1                       | 1111 | xxxx | xxxx | xxxx               | None                              |      |
| POP                            | —           | Pop Top of Return Stack (TOS)  | 1                       | 0000 | 0000 | 0000 | 0110               | None                              |      |
| PUSH                           | —           | Push Top of Return Stack (TOS) | 1                       | 0000 | 0000 | 0000 | 0101               | None                              |      |
| RCALL                          | n           | Relative Call                  | 2                       | 1101 | 1nnn | nnnn | nnnn               | None                              |      |
| RESET                          |             | Software Device Reset          | 1                       | 0000 | 0000 | 1111 | 1111               | All                               |      |
| RETFIE                         | s           | Return from Interrupt Enable   | 2                       | 0000 | 0000 | 0001 | 000s               | GIE/GIEH,<br>PEIE/GIEL            |      |
| RETLW                          | k           | Return with Literal in WREG    | 2                       | 0000 | 1100 | kkkk | kkkk               | None                              |      |
| RETURN                         | s           | Return from Subroutine         | 2                       | 0000 | 0000 | 0001 | 001s               | None                              |      |
| SLEEP                          | —           | Go into Standby mode           | 1                       | 0000 | 0000 | 0000 | 0011               | $\overline{TO}$ , $\overline{PD}$ |      |

- Note 1:** When a PORT register is modified as a function of itself (e.g., `MOVF PORTB, 1, 0`), the value used will be that value present on the pins themselves. For example, if the data latch is '1' for a pin configured as input and is driven low by an external device, the data will be written back with a '0'.
- 2:** If this instruction is executed on the TMR0 register (and, where applicable,  $d = 1$ ), the prescaler will be cleared if assigned.
- 3:** If the Program Counter (PC) is modified or a conditional test is true, the instruction requires two cycles. The second cycle is executed as a `NOP`.
- 4:** Some instructions are two-word instructions. The second word of these instructions will be executed as a `NOP` unless the first word of the instruction retrieves the information embedded in these 16 bits. This ensures that all program memory locations have a valid instruction.

# PIC18F46J50 FAMILY

**TABLE 28-2: PIC18F46J50 FAMILY INSTRUCTION SET (CONTINUED)**

| Mnemonic,<br>Operands                          | Description | Cycles   | 16-Bit Instruction Word |      |      |      | Status<br>Affected | Notes           |  |
|--|-------------|--|-------------------------|------|------|------|--------------------|-----------------|--|
|  |             |  | MSb                     |      |      | LSb  |                    |                 |  |
| <b>LITERAL OPERATIONS</b>                      |             |  |                         |      |      |      |                    |                 |  |
| ADDLW  | k           | Add Literal and WREG                                 | 1                       | 0000 | 1111 | kkkk | kkkk               | C, DC, Z, OV, N |  |
| ANDLW  | k           | AND Literal with WREG                                | 1                       | 0000 | 1011 | kkkk | kkkk               | Z, N            |  |
| IORLW  | k           | Inclusive OR Literal with WREG                       | 1                       | 0000 | 1001 | kkkk | kkkk               | Z, N            |  |
| LFSR   | f, k        | Move Literal (12-bit) 2nd word<br>to FSR(f) 1st word | 2                       | 1110 | 1110 | 00ff | kkkk               | None            |  |
| MOVLB  | k           | Move Literal to BSR<3:0>                             | 1                       | 0000 | 0001 | 0000 | kkkk               | None            |  |
| MOVLW  | k           | Move Literal to WREG                                 | 1                       | 0000 | 1110 | kkkk | kkkk               | None            |  |
| MULLW  | k           | Multiply Literal with WREG                           | 1                       | 0000 | 1101 | kkkk | kkkk               | None            |  |
| RETLW  | k           | Return with Literal in WREG                          | 2                       | 0000 | 1100 | kkkk | kkkk               | None            |  |
| SUBLW  | k           | Subtract WREG from Literal                           | 1                       | 0000 | 1000 | kkkk | kkkk               | C, DC, Z, OV, N |  |
| XORLW  | k           | Exclusive OR Literal with WREG                       | 1                       | 0000 | 1010 | kkkk | kkkk               | Z, N            |  |
| <b>DATA MEMORY ↔ PROGRAM MEMORY OPERATIONS</b> |             |  |                         |      |      |      |                    |                 |  |
| TBLRD*   |             | Table Read   | 2                       | 0000 | 0000 | 0000 | 1000               | None            |  |
| TBLRD*+  |             | Table Read with Post-Increment                       |                         | 0000 | 0000 | 0000 | 1001               | None            |  |
| TBLRD*-  |             | Table Read with Post-Decrement                       |                         | 0000 | 0000 | 0000 | 1010               | None            |  |
| TBLRD*+  |             | Table Read with Pre-Increment                        |                         | 0000 | 0000 | 0000 | 1011               | None            |  |
| TBLWT*   |             | Table Write  | 2                       | 0000 | 0000 | 0000 | 1100               | None            |  |
| TBLWT*+  |             | Table Write with Post-Increment                      |                         | 0000 | 0000 | 0000 | 1101               | None            |  |
| TBLWT*-  |             | Table Write with Post-Decrement                      |                         | 0000 | 0000 | 0000 | 1110               | None            |  |
| TBLWT*+  |             | Table Write with Pre-Increment                       |                         | 0000 | 0000 | 0000 | 1111               | None            |  |

- Note 1:** When a PORT register is modified as a function of itself (e.g., `MOVF PORTB, 1, 0`), the value used will be that value present on the pins themselves. For example, if the data latch is '1' for a pin configured as input and is driven low by an external device, the data will be written back with a '0'.
- 2:** If this instruction is executed on the TMR0 register (and, where applicable,  $d = 1$ ), the prescaler will be cleared if assigned.
- 3:** If the Program Counter (PC) is modified or a conditional test is true, the instruction requires two cycles. The second cycle is executed as a NOP.
- 4:** Some instructions are two-word instructions. The second word of these instructions will be executed as a NOP unless the first word of the instruction retrieves the information embedded in these 16 bits. This ensures that all program memory locations have a valid instruction.



# PIC18F46J50 FAMILY

## 28.1.1 STANDARD INSTRUCTION SET

| ADDLW             | ADD Literal to W  |              |            |      |      |        |                  |              |            |
|-------------------|---|--------------|------------|------|------|--------|------------------|--------------|------------|
| Syntax:           | ADDLW k   |              |            |      |      |        |                  |              |            |
| Operands:         | $0 \leq k \leq 255$   |              |            |      |      |        |                  |              |            |
| Operation:        | $(W) + k \rightarrow W$   |              |            |      |      |        |                  |              |            |
| Status Affected:  | N, OV, C, DC, Z   |              |            |      |      |        |                  |              |            |
| Encoding:         | <table border="1"> <tr> <td>0000</td> <td>1111</td> <td>kkkk</td> <td>kkkk</td> </tr> </table>  | 0000         | 1111       | kkkk | kkkk |        |                  |              |            |
| 0000              | 1111  | kkkk         | kkkk       |      |      |        |                  |              |            |
| Description:      | The contents of W are added to the 8-bit literal 'k' and the result is placed in W.   |              |            |      |      |        |                  |              |            |
| Words:            | 1   |              |            |      |      |        |                  |              |            |
| Cycles:           | 1   |              |            |      |      |        |                  |              |            |
| Q Cycle Activity: | <table border="1"> <thead> <tr> <th>Q1</th> <th>Q2</th> <th>Q3</th> <th>Q4</th> </tr> </thead> <tbody> <tr> <td>Decode</td> <td>Read literal 'k'</td> <td>Process Data</td> <td>Write to W</td> </tr> </tbody> </table> | Q1           | Q2         | Q3   | Q4   | Decode | Read literal 'k' | Process Data | Write to W |
| Q1                | Q2  | Q3           | Q4         |      |      |        |                  |              |            |
| Decode            | Read literal 'k'  | Process Data | Write to W |      |      |        |                  |              |            |

**Example:**           ADDLW   0x15

Before Instruction  
W = 10h  
After Instruction  
W = 25h

| ADDWF             | ADD W to f  |              |                      |      |      |        |                   |              |                      |
|-------------------|---|--------------|----------------------|------|------|--------|-------------------|--------------|----------------------|
| Syntax:           | ADDWF f {,d {,a}}   |              |                      |      |      |        |                   |              |                      |
| Operands:         | $0 \leq f \leq 255$<br>$d \in [0,1]$<br>$a \in [0,1]$   |              |                      |      |      |        |                   |              |                      |
| Operation:        | $(W) + (f) \rightarrow \text{dest}$   |              |                      |      |      |        |                   |              |                      |
| Status Affected:  | N, OV, C, DC, Z   |              |                      |      |      |        |                   |              |                      |
| Encoding:         | <table border="1"> <tr> <td>0010</td> <td>01da</td> <td>ffff</td> <td>ffff</td> </tr> </table>  | 0010         | 01da                 | ffff | ffff |        |                   |              |                      |
| 0010              | 01da  | ffff         | ffff                 |      |      |        |                   |              |                      |
| Description:      | Add W to register 'f'. If 'd' is '0', the result is stored in W. If 'd' is '1', the result is stored back in register 'f' (default).<br><br>If 'a' is '0', the Access Bank is selected. If 'a' is '1', the BSR is used to select the GPR bank (default).<br><br>If 'a' is '0' and the extended instruction set is enabled, this instruction operates in Indexed Literal Offset Addressing mode whenever $f \leq 95$ (5Fh). See <a href="#">Section 28.2.3 "Byte-Oriented and Bit-Oriented Instructions in Indexed Literal Offset Mode"</a> for details. |              |                      |      |      |        |                   |              |                      |
| Words:            | 1   |              |                      |      |      |        |                   |              |                      |
| Cycles:           | 1   |              |                      |      |      |        |                   |              |                      |
| Q Cycle Activity: | <table border="1"> <thead> <tr> <th>Q1</th> <th>Q2</th> <th>Q3</th> <th>Q4</th> </tr> </thead> <tbody> <tr> <td>Decode</td> <td>Read register 'f'</td> <td>Process Data</td> <td>Write to destination</td> </tr> </tbody> </table>  | Q1           | Q2                   | Q3   | Q4   | Decode | Read register 'f' | Process Data | Write to destination |
| Q1                | Q2  | Q3           | Q4                   |      |      |        |                   |              |                      |
| Decode            | Read register 'f'   | Process Data | Write to destination |      |      |        |                   |              |                      |

**Example:**           ADDWF   REG, 0, 0

Before Instruction  
W = 17h  
REG = 0C2h  
After Instruction  
W = 0D9h  
REG = 0C2h

**Note:** All PIC18 instructions may take an optional label argument preceding the instruction mnemonic for use in symbolic addressing. If a label is used, the instruction format then becomes: {label} instruction argument(s).

# PIC18F46J50 FAMILY

## ADDWFC      ADD W and Carry bit to f

Syntax:            ADDWFC    f {,d {,a}}

Operands:         $0 \leq f \leq 255$   
 $d \in [0,1]$   
 $a \in [0,1]$

Operation:         $(W) + (f) + (C) \rightarrow \text{dest}$

Status Affected: N,OV, C, DC, Z

Encoding:        

|      |      |      |      |
|------|------|------|------|
| 0010 | 00da | ffff | ffff |
|------|------|------|------|

Description:     Add W, the Carry flag and data memory location, 'f'. If 'd' is '0', the result is placed in W. If 'd' is '1', the result is placed in data memory location 'f'.  
 If 'a' is '0', the Access Bank is selected. If 'a' is '1', the BSR is used to select the GPR bank (default).  
 If 'a' is '0' and the extended instruction set is enabled, this instruction operates in Indexed Literal Offset Addressing mode whenever  $f \leq 95$  (5Fh). See [Section 28.2.3 "Byte-Oriented and Bit-Oriented Instructions in Indexed Literal Offset Mode"](#) for details.

Words:            1

Cycles:            1

Q Cycle Activity:

| Q1     | Q2                | Q3           | Q4                   |
|--------|-------------------|--------------|----------------------|
| Decode | Read register 'f' | Process Data | Write to destination |

Example:            ADDWFC    REG, 0, 1

Before Instruction  
 Carry bit = 1  
 REG = 02h  
 W = 4Dh

After Instruction  
 Carry bit = 0  
 REG = 02h  
 W = 50h

## ANDLW      AND Literal with W

Syntax:            ANDLW    k

Operands:         $0 \leq k \leq 255$

Operation:         $(W) \text{ .AND. } k \rightarrow W$

Status Affected: N, Z

Encoding:        

|      |      |      |      |
|------|------|------|------|
| 0000 | 1011 | kkkk | kkkk |
|------|------|------|------|

Description:     The contents of W are ANDed with the 8-bit literal 'k'. The result is placed in W.

Words:            1

Cycles:            1

Q Cycle Activity:

| Q1     | Q2               | Q3           | Q4         |
|--------|------------------|--------------|------------|
| Decode | Read literal 'k' | Process Data | Write to W |

Example:            ANDLW    0x5F

Before Instruction  
 W = A3h

After Instruction  
 W = 03h

# PIC18F46J50 FAMILY

**ANDWF**                      **AND W with f**

---

Syntax:                      ANDWF    f {,d {,a}}

Operands:                     $0 \leq f \leq 255$   
 $d \in [0,1]$   
 $a \in [0,1]$

Operation:                    (W) .AND. (f) → dest

Status Affected:            N, Z

Encoding:                    

|      |      |      |      |
|------|------|------|------|
| 0001 | 01da | ffff | ffff |
|------|------|------|------|

Description:                The contents of W are ANDed with register, 'f'. If 'd' is '0', the result is stored in W. If 'd' is '1', the result is stored back in register 'f' (default).  
 If 'a' is '0', the Access Bank is selected. If 'a' is '1', the BSR is used to select the GPR bank (default).  
 If 'a' is '0' and the extended instruction set is enabled, this instruction operates in Indexed Literal Offset Addressing mode whenever  $f \leq 95$  (5Fh). See [Section 28.2.3 "Byte-Oriented and Bit-Oriented Instructions in Indexed Literal Offset Mode"](#) for details.

Words:                        1

Cycles:                        1

Q Cycle Activity:

| Q1     | Q2                | Q3           | Q4                   |
|--------|-------------------|--------------|----------------------|
| Decode | Read register 'f' | Process Data | Write to destination |

Example:                    ANDWF    REG, 0, 0

Before Instruction  
   W        =    17h  
   REG     =    C2h

After Instruction  
   W        =    02h  
   REG     =    C2h

**BC**                              **Branch if Carry**

---

Syntax:                        BC    n

Operands:                     $-128 \leq n \leq 127$

Operation:                    if Carry bit is '1',  
 $(PC) + 2 + 2n \rightarrow PC$

Status Affected:            None

Encoding:                    

|      |      |      |      |
|------|------|------|------|
| 1110 | 0010 | nnnn | nnnn |
|------|------|------|------|

Description:                If the Carry bit is '1', then the program will branch.  
 The 2's complement number, '2n', is added to the PC. Since the PC will have incremented to fetch the next instruction, the new address will be  $PC + 2 + 2n$ . This instruction is then a two-cycle instruction.

Words:                        1

Cycles:                        1(2)

Q Cycle Activity:  
 If Jump:

| Q1           | Q2               | Q3           | Q4           |
|--------------|------------------|--------------|--------------|
| Decode       | Read literal 'n' | Process Data | Write to PC  |
| No operation | No operation     | No operation | No operation |

If No Jump:

| Q1     | Q2               | Q3           | Q4           |
|--------|------------------|--------------|--------------|
| Decode | Read literal 'n' | Process Data | No operation |

Example:                    HERE        BC    5

Before Instruction  
   PC        =    address (HERE)

After Instruction  
   If Carry    =    1;  
   PC        =    address (HERE + 12)  
   If Carry    =    0;  
   PC        =    address (HERE + 2)

# PIC18F46J50 FAMILY

| BCF               | Bit Clear f  |              |                    |      |      |        |                   |              |                    |
|-------------------|--|--------------|--------------------|------|------|--------|-------------------|--------------|--------------------|
| Syntax:           | BCF f, b {,a}  |              |                    |      |      |        |                   |              |                    |
| Operands:         | $0 \leq f \leq 255$<br>$0 \leq b \leq 7$<br>$a \in [0,1]$  |              |                    |      |      |        |                   |              |                    |
| Operation:        | $0 \rightarrow f < b >$  |              |                    |      |      |        |                   |              |                    |
| Status Affected:  | None   |              |                    |      |      |        |                   |              |                    |
| Encoding:         | <table border="1"> <tr> <td>1001</td> <td>bbba</td> <td>ffff</td> <td>ffff</td> </tr> </table>   | 1001         | bbba               | ffff | ffff |        |                   |              |                    |
| 1001              | bbba   | ffff         | ffff               |      |      |        |                   |              |                    |
| Description:      | <p>Bit 'b' in register, 'f', is cleared.</p> <p>If 'a' is '0', the Access Bank is selected. If 'a' is '1', the BSR is used to select the GPR bank (default).</p> <p>If 'a' is '0' and the extended instruction set is enabled, this instruction operates in Indexed Literal Offset Addressing mode whenever <math>f \leq 95</math> (5Fh). See <a href="#">Section 28.2.3 "Byte-Oriented and Bit-Oriented Instructions in Indexed Literal Offset Mode"</a> for details.</p> |              |                    |      |      |        |                   |              |                    |
| Words:            | 1  |              |                    |      |      |        |                   |              |                    |
| Cycles:           | 1  |              |                    |      |      |        |                   |              |                    |
| Q Cycle Activity: | <table border="1"> <thead> <tr> <th>Q1</th> <th>Q2</th> <th>Q3</th> <th>Q4</th> </tr> </thead> <tbody> <tr> <td>Decode</td> <td>Read register 'f'</td> <td>Process Data</td> <td>Write register 'f'</td> </tr> </tbody> </table>   | Q1           | Q2                 | Q3   | Q4   | Decode | Read register 'f' | Process Data | Write register 'f' |
| Q1                | Q2   | Q3           | Q4                 |      |      |        |                   |              |                    |
| Decode            | Read register 'f'  | Process Data | Write register 'f' |      |      |        |                   |              |                    |

**Example:** BCF FLAG\_REG, 7, 0

Before Instruction  
FLAG\_REG = C7h  
After Instruction  
FLAG\_REG = 47h

| BN                | Branch if Negative  |              |              |      |      |        |                  |              |              |              |              |              |              |
|-------------------|---|--------------|--------------|------|------|--------|------------------|--------------|--------------|--------------|--------------|--------------|--------------|
| Syntax:           | BN n  |              |              |      |      |        |                  |              |              |              |              |              |              |
| Operands:         | $-128 \leq n \leq 127$  |              |              |      |      |        |                  |              |              |              |              |              |              |
| Operation:        | if Negative bit is '1',<br>$(PC) + 2 + 2n \rightarrow PC$   |              |              |      |      |        |                  |              |              |              |              |              |              |
| Status Affected:  | None  |              |              |      |      |        |                  |              |              |              |              |              |              |
| Encoding:         | <table border="1"> <tr> <td>1110</td> <td>0110</td> <td>nnnn</td> <td>nnnn</td> </tr> </table>  | 1110         | 0110         | nnnn | nnnn |        |                  |              |              |              |              |              |              |
| 1110              | 0110  | nnnn         | nnnn         |      |      |        |                  |              |              |              |              |              |              |
| Description:      | <p>If the Negative bit is '1', then the program will branch.</p> <p>The 2's complement number, '2n', is added to the PC. Since the PC will have incremented to fetch the next instruction, the new address will be <math>PC + 2 + 2n</math>. This instruction is then a two-cycle instruction.</p>                          |              |              |      |      |        |                  |              |              |              |              |              |              |
| Words:            | 1   |              |              |      |      |        |                  |              |              |              |              |              |              |
| Cycles:           | 1(2)  |              |              |      |      |        |                  |              |              |              |              |              |              |
| Q Cycle Activity: |   |              |              |      |      |        |                  |              |              |              |              |              |              |
| If Jump:          | <table border="1"> <thead> <tr> <th>Q1</th> <th>Q2</th> <th>Q3</th> <th>Q4</th> </tr> </thead> <tbody> <tr> <td>Decode</td> <td>Read literal 'n'</td> <td>Process Data</td> <td>Write to PC</td> </tr> <tr> <td>No operation</td> <td>No operation</td> <td>No operation</td> <td>No operation</td> </tr> </tbody> </table> | Q1           | Q2           | Q3   | Q4   | Decode | Read literal 'n' | Process Data | Write to PC  | No operation | No operation | No operation | No operation |
| Q1                | Q2  | Q3           | Q4           |      |      |        |                  |              |              |              |              |              |              |
| Decode            | Read literal 'n'  | Process Data | Write to PC  |      |      |        |                  |              |              |              |              |              |              |
| No operation      | No operation  | No operation | No operation |      |      |        |                  |              |              |              |              |              |              |
| If No Jump:       | <table border="1"> <thead> <tr> <th>Q1</th> <th>Q2</th> <th>Q3</th> <th>Q4</th> </tr> </thead> <tbody> <tr> <td>Decode</td> <td>Read literal 'n'</td> <td>Process Data</td> <td>No operation</td> </tr> </tbody> </table>   | Q1           | Q2           | Q3   | Q4   | Decode | Read literal 'n' | Process Data | No operation |              |              |              |              |
| Q1                | Q2  | Q3           | Q4           |      |      |        |                  |              |              |              |              |              |              |
| Decode            | Read literal 'n'  | Process Data | No operation |      |      |        |                  |              |              |              |              |              |              |

**Example:**

|                    |    |                    |
|--------------------|----|--------------------|
| HERE               | BN | Jump               |
| Before Instruction |    |                    |
| PC                 | =  | address (HERE)     |
| After Instruction  |    |                    |
| If Negative        | =  | 1;                 |
| PC                 | =  | address (Jump)     |
| If Negative        | =  | 0;                 |
| PC                 | =  | address (HERE + 2) |

# PIC18F46J50 FAMILY

**BNC**                      **Branch if Not Carry**

---

Syntax:                    BNC n

Operands:                 $-128 \leq n \leq 127$

Operation:                if Carry bit is '0',  
 $(PC) + 2 + 2n \rightarrow PC$

Status Affected:        None

Encoding:                

|      |      |      |      |
|------|------|------|------|
| 1110 | 0011 | nnnn | nnnn |
|------|------|------|------|

Description:             If the Carry bit is '0', then the program will branch.

                              The 2's complement number, '2n', is added to the PC. Since the PC will have incremented to fetch the next instruction, the new address will be  $PC + 2 + 2n$ . This instruction is then a two-cycle instruction.

Words:                    1

Cycles:                    1(2)

Q Cycle Activity:  
If Jump:

| Q1              | Q2                  | Q3              | Q4              |
|-----------------|---------------------|-----------------|-----------------|
| Decode          | Read literal<br>'n' | Process<br>Data | Write to<br>PC  |
| No<br>operation | No<br>operation     | No<br>operation | No<br>operation |

If No Jump:

| Q1     | Q2                  | Q3              | Q4              |
|--------|---------------------|-----------------|-----------------|
| Decode | Read literal<br>'n' | Process<br>Data | No<br>operation |

Example:                    HERE            BNC    Jump

Before Instruction  
PC = address (HERE)

After Instruction  
If Carry = 0;  
PC = address (Jump)  
If Carry = 1;  
PC = address (HERE + 2)

**BNN**                      **Branch if Not Negative**

---

Syntax:                    BNN n

Operands:                 $-128 \leq n \leq 127$

Operation:                if Negative bit is '0',  
 $(PC) + 2 + 2n \rightarrow PC$

Status Affected:        None

Encoding:                

|      |      |      |      |
|------|------|------|------|
| 1110 | 0111 | nnnn | nnnn |
|------|------|------|------|

Description:             If the Negative bit is '0', then the program will branch.

                              The 2's complement number, '2n', is added to the PC. Since the PC will have incremented to fetch the next instruction, the new address will be  $PC + 2 + 2n$ . This instruction is then a two-cycle instruction.

Words:                    1

Cycles:                    1(2)

Q Cycle Activity:  
If Jump:

| Q1              | Q2                  | Q3              | Q4              |
|-----------------|---------------------|-----------------|-----------------|
| Decode          | Read literal<br>'n' | Process<br>Data | Write to<br>PC  |
| No<br>operation | No<br>operation     | No<br>operation | No<br>operation |

If No Jump:

| Q1     | Q2                  | Q3              | Q4              |
|--------|---------------------|-----------------|-----------------|
| Decode | Read literal<br>'n' | Process<br>Data | No<br>operation |

Example:                    HERE            BNN    Jump

Before Instruction  
PC = address (HERE)

After Instruction  
If Negative = 0;  
PC = address (Jump)  
If Negative = 1;  
PC = address (HERE + 2)

# PIC18F46J50 FAMILY

## BNOV Branch if Not Overflow

Syntax: BNOV n

Operands:  $-128 \leq n \leq 127$

Operation: if Overflow bit is '0',  
(PC) + 2 + 2n → PC

Status Affected: None

Encoding: 

|      |      |      |      |
|------|------|------|------|
| 1110 | 0101 | nnnn | nnnn |
|------|------|------|------|

Description: If the Overflow bit is '0', then the program will branch.  
  
The 2's complement number, '2n', is added to the PC. Since the PC will have incremented to fetch the next instruction, the new address will be PC + 2 + 2n. This instruction is then a two-cycle instruction.

Words: 1

Cycles: 1(2)

Q Cycle Activity:  
If Jump:

| Q1           | Q2               | Q3           | Q4           |
|--------------|------------------|--------------|--------------|
| Decode       | Read literal 'n' | Process Data | Write to PC  |
| No operation | No operation     | No operation | No operation |

If No Jump:

| Q1     | Q2               | Q3           | Q4           |
|--------|------------------|--------------|--------------|
| Decode | Read literal 'n' | Process Data | No operation |

**Example:**            HERE        BNOV Jump

Before Instruction  
PC = address (HERE)

After Instruction  
If Overflow = 0;  
PC = address (Jump)  
If Overflow = 1;  
PC = address (HERE + 2)

## BNZ Branch if Not Zero

Syntax: BNZ n

Operands:  $-128 \leq n \leq 127$

Operation: if Zero bit is '0',  
(PC) + 2 + 2n → PC

Status Affected: None

Encoding: 

|      |      |      |      |
|------|------|------|------|
| 1110 | 0001 | nnnn | nnnn |
|------|------|------|------|

Description: If the Zero bit is '0', then the program will branch.  
  
The 2's complement number, '2n', is added to the PC. Since the PC will have incremented to fetch the next instruction, the new address will be PC + 2 + 2n. This instruction is then a two-cycle instruction.

Words: 1

Cycles: 1(2)

Q Cycle Activity:  
If Jump:

| Q1           | Q2               | Q3           | Q4           |
|--------------|------------------|--------------|--------------|
| Decode       | Read literal 'n' | Process Data | Write to PC  |
| No operation | No operation     | No operation | No operation |

If No Jump:

| Q1     | Q2               | Q3           | Q4           |
|--------|------------------|--------------|--------------|
| Decode | Read literal 'n' | Process Data | No operation |

**Example:**            HERE        BNZ Jump

Before Instruction  
PC = address (HERE)

After Instruction  
If Zero = 0;  
PC = address (Jump)  
If Zero = 1;  
PC = address (HERE + 2)

# PIC18F46J50 FAMILY

**BRA**                      **Unconditional Branch**

---

Syntax:                    BRA n

Operands:                 $-1024 \leq n \leq 1023$

Operation:                 $(PC) + 2 + 2n \rightarrow PC$

Status Affected:        None

Encoding:                

|      |      |      |      |
|------|------|------|------|
| 1101 | 0nnn | nnnn | nnnn |
|------|------|------|------|

Description:             Add the 2's complement number, '2n', to the PC. Since the PC will have incremented to fetch the next instruction, the new address will be  $PC + 2 + 2n$ . This instruction is a two-cycle instruction.

Words:                    1

Cycles:                    2

Q Cycle Activity:

| Q1           | Q2               | Q3           | Q4           |
|--------------|------------------|--------------|--------------|
| Decode       | Read literal 'n' | Process Data | Write to PC  |
| No operation | No operation     | No operation | No operation |

Example:                           HERE            BRA    Jump

Before Instruction  
PC = address (HERE)

After Instruction  
PC = address (Jump)

**BSF**                      **Bit Set f**

---

Syntax:                    BSF f, b {,a}

Operands:                 $0 \leq f \leq 255$   
 $0 \leq b \leq 7$   
 $a \in [0,1]$

Operation:                 $1 \rightarrow f < b$

Status Affected:        None

Encoding:                

|      |      |      |      |
|------|------|------|------|
| 1000 | bbba | ffff | ffff |
|------|------|------|------|

Description:             Bit 'b' in register, 'f', is set.

If 'a' is '0', the Access Bank is selected. If 'a' is '1', the BSR is used to select the GPR bank (default).

If 'a' is '0' and the extended instruction set is enabled, this instruction operates in Indexed Literal Offset Addressing mode whenever  $f \leq 95$  (5Fh). See [Section 28.2.3 "Byte-Oriented and Bit-Oriented Instructions in Indexed Literal Offset Mode"](#) for details.

Words:                    1

Cycles:                    1

Q Cycle Activity:

| Q1     | Q2                | Q3           | Q4                 |
|--------|-------------------|--------------|--------------------|
| Decode | Read register 'f' | Process Data | Write register 'f' |

Example:                           BSF        FLAG\_REG, 7, 1

Before Instruction  
FLAG\_REG = 0Ah

After Instruction  
FLAG\_REG = 8Ah

# PIC18F46J50 FAMILY

**BTFSC**                      **Bit Test File, Skip if Clear**

---

Syntax:                      BTFSC f, b {,a}

Operands:                     $0 \leq f \leq 255$   
 $0 \leq b \leq 7$   
 $a \in [0,1]$

Operation:                    skip if (f<b>) = 0

Status Affected:            None

Encoding:                    

|      |      |      |      |
|------|------|------|------|
| 1011 | bbba | ffff | ffff |
|------|------|------|------|

Description:                If bit 'b' in register, 'f', is '0', then the next instruction is skipped. If bit, 'b', is '0', then the next instruction fetched during the current instruction execution is discarded and a NOP is executed instead, making this a two-cycle instruction.

                                  If 'a' is '0', the Access Bank is selected. If 'a' is '1', the BSR is used to select the GPR bank (default).

                                  If 'a' is '0' and the extended instruction set is enabled, this instruction operates in Indexed Literal Offset Addressing mode whenever  $f \leq 95$  (5Fh). See [Section 28.2.3 "Byte-Oriented and Bit-Oriented Instructions in Indexed Literal Offset Mode"](#) for details.

Words:                        1

Cycles:                        1(2)  
**Note:** 3 cycles if skip and followed by a 2-word instruction.

Q Cycle Activity:

| Q1     | Q2                | Q3           | Q4           |
|--------|-------------------|--------------|--------------|
| Decode | Read register 'f' | Process Data | No operation |

If skip:

| Q1           | Q2           | Q3           | Q4           |
|--------------|--------------|--------------|--------------|
| No operation | No operation | No operation | No operation |

If skip and followed by 2-word instruction:

| Q1           | Q2           | Q3           | Q4           |
|--------------|--------------|--------------|--------------|
| No operation | No operation | No operation | No operation |
| No operation | No operation | No operation | No operation |

**Example:**                    HERE    BTFSC    FLAG, 1, 0  
                                  FALSE    :  
                                  TRUE     :

Before Instruction  
PC = address (HERE)

After Instruction  
If FLAG<1> = 0;  
PC = address (TRUE)  
If FLAG<1> = 1;  
PC = address (FALSE)

**BTFSS**                      **Bit Test File, Skip if Set**

---

Syntax:                      BTFSS f, b {,a}

Operands:                     $0 \leq f \leq 255$   
 $0 \leq b < 7$   
 $a \in [0,1]$

Operation:                    skip if (f<b>) = 1

Status Affected:            None

Encoding:                    

|      |      |      |      |
|------|------|------|------|
| 1010 | bbba | ffff | ffff |
|------|------|------|------|

Description:                If bit 'b' in register, 'f', is '1', then the next instruction is skipped. If bit, 'b', is '1', then the next instruction fetched during the current instruction execution is discarded and a NOP is executed instead, making this a two-cycle instruction.

                                  If 'a' is '0', the Access Bank is selected. If 'a' is '1', the BSR is used to select the GPR bank (default).

                                  If 'a' is '0' and the extended instruction set is enabled, this instruction operates in Indexed Literal Offset Addressing mode whenever  $f \leq 95$  (5Fh). See [Section 28.2.3 "Byte-Oriented and Bit-Oriented Instructions in Indexed Literal Offset Mode"](#) for details.

Words:                        1

Cycles:                        1(2)  
**Note:** 3 cycles if skip and followed by a 2-word instruction.

Q Cycle Activity:

| Q1     | Q2                | Q3           | Q4           |
|--------|-------------------|--------------|--------------|
| Decode | Read register 'f' | Process Data | No operation |

If skip:

| Q1           | Q2           | Q3           | Q4           |
|--------------|--------------|--------------|--------------|
| No operation | No operation | No operation | No operation |

If skip and followed by 2-word instruction:

| Q1           | Q2           | Q3           | Q4           |
|--------------|--------------|--------------|--------------|
| No operation | No operation | No operation | No operation |
| No operation | No operation | No operation | No operation |

**Example:**                    HERE    BTFSS    FLAG, 1, 0  
                                  FALSE    :  
                                  TRUE     :

Before Instruction  
PC = address (HERE)

After Instruction  
If FLAG<1> = 0;  
PC = address (FALSE)  
If FLAG<1> = 1;  
PC = address (TRUE)



# PIC18F46J50 FAMILY

| BTG               | Bit Toggle f   |              |                    |      |      |        |                   |              |                    |
|-------------------|--|--------------|--------------------|------|------|--------|-------------------|--------------|--------------------|
| Syntax:           | BTG f, b {,a}  |              |                    |      |      |        |                   |              |                    |
| Operands:         | $0 \leq f \leq 255$<br>$0 \leq b < 7$<br>$a \in [0,1]$   |              |                    |      |      |        |                   |              |                    |
| Operation:        | $\overline{f\langle b \rangle} \rightarrow f\langle b \rangle$   |              |                    |      |      |        |                   |              |                    |
| Status Affected:  | None   |              |                    |      |      |        |                   |              |                    |
| Encoding:         | <table border="1"> <tr> <td>0111</td> <td>bbba</td> <td>ffff</td> <td>ffff</td> </tr> </table>   | 0111         | bbba               | ffff | ffff |        |                   |              |                    |
| 0111              | bbba   | ffff         | ffff               |      |      |        |                   |              |                    |
| Description:      | Bit 'b' in data memory location, 'f', is inverted.<br><br>If 'a' is '0', the Access Bank is selected.<br>If 'a' is '1', the BSR is used to select the GPR bank (default).<br><br>If 'a' is '0' and the extended instruction set is enabled, this instruction operates in Indexed Literal Offset Addressing mode whenever $f \leq 95$ (5Fh). See <a href="#">Section 28.2.3 "Byte-Oriented and Bit-Oriented Instructions in Indexed Literal Offset Mode"</a> for details. |              |                    |      |      |        |                   |              |                    |
| Words:            | 1  |              |                    |      |      |        |                   |              |                    |
| Cycles:           | 1  |              |                    |      |      |        |                   |              |                    |
| Q Cycle Activity: | <table border="1"> <thead> <tr> <th>Q1</th> <th>Q2</th> <th>Q3</th> <th>Q4</th> </tr> </thead> <tbody> <tr> <td>Decode</td> <td>Read register 'f'</td> <td>Process Data</td> <td>Write register 'f'</td> </tr> </tbody> </table>   | Q1           | Q2                 | Q3   | Q4   | Decode | Read register 'f' | Process Data | Write register 'f' |
| Q1                | Q2   | Q3           | Q4                 |      |      |        |                   |              |                    |
| Decode            | Read register 'f'  | Process Data | Write register 'f' |      |      |        |                   |              |                    |

**Example:** BTG LATC, 4, 0

Before Instruction:

LATC = 0111 0101 [75h]

After Instruction:

LATC = 0110 0101 [65h]

| BOV               | Branch if Overflow   |              |              |      |      |        |                  |              |              |              |              |              |              |
|-------------------|--|--------------|--------------|------|------|--------|------------------|--------------|--------------|--------------|--------------|--------------|--------------|
| Syntax:           | BOV n  |              |              |      |      |        |                  |              |              |              |              |              |              |
| Operands:         | $-128 \leq n \leq 127$   |              |              |      |      |        |                  |              |              |              |              |              |              |
| Operation:        | if Overflow bit is '1',<br>$(PC) + 2 + 2n \rightarrow PC$  |              |              |      |      |        |                  |              |              |              |              |              |              |
| Status Affected:  | None   |              |              |      |      |        |                  |              |              |              |              |              |              |
| Encoding:         | <table border="1"> <tr> <td>1110</td> <td>0100</td> <td>nnnn</td> <td>nnnn</td> </tr> </table>   | 1110         | 0100         | nnnn | nnnn |        |                  |              |              |              |              |              |              |
| 1110              | 0100   | nnnn         | nnnn         |      |      |        |                  |              |              |              |              |              |              |
| Description:      | If the Overflow bit is '1', then the program will branch.<br><br>The 2's complement number, '2n', is added to the PC. Since the PC will have incremented to fetch the next instruction, the new address will be $PC + 2 + 2n$ . This instruction is then a two-cycle instruction.  |              |              |      |      |        |                  |              |              |              |              |              |              |
| Words:            | 1  |              |              |      |      |        |                  |              |              |              |              |              |              |
| Cycles:           | 1(2)   |              |              |      |      |        |                  |              |              |              |              |              |              |
| Q Cycle Activity: | If Jump: <table border="1"> <thead> <tr> <th>Q1</th> <th>Q2</th> <th>Q3</th> <th>Q4</th> </tr> </thead> <tbody> <tr> <td>Decode</td> <td>Read literal 'n'</td> <td>Process Data</td> <td>Write to PC</td> </tr> <tr> <td>No operation</td> <td>No operation</td> <td>No operation</td> <td>No operation</td> </tr> </tbody> </table> | Q1           | Q2           | Q3   | Q4   | Decode | Read literal 'n' | Process Data | Write to PC  | No operation | No operation | No operation | No operation |
| Q1                | Q2   | Q3           | Q4           |      |      |        |                  |              |              |              |              |              |              |
| Decode            | Read literal 'n'   | Process Data | Write to PC  |      |      |        |                  |              |              |              |              |              |              |
| No operation      | No operation   | No operation | No operation |      |      |        |                  |              |              |              |              |              |              |
|                   | If No Jump: <table border="1"> <thead> <tr> <th>Q1</th> <th>Q2</th> <th>Q3</th> <th>Q4</th> </tr> </thead> <tbody> <tr> <td>Decode</td> <td>Read literal 'n'</td> <td>Process Data</td> <td>No operation</td> </tr> </tbody> </table>  | Q1           | Q2           | Q3   | Q4   | Decode | Read literal 'n' | Process Data | No operation |              |              |              |              |
| Q1                | Q2   | Q3           | Q4           |      |      |        |                  |              |              |              |              |              |              |
| Decode            | Read literal 'n'   | Process Data | No operation |      |      |        |                  |              |              |              |              |              |              |

**Example:** HERE BOV Jump

Before Instruction

PC = address (HERE)

After Instruction

If Overflow = 1;

PC = address (Jump)

If Overflow = 0;

PC = address (HERE + 2)

# PIC18F46J50 FAMILY

## BZ Branch if Zero

Syntax: BZ n

Operands:  $-128 \leq n \leq 127$

Operation: if Zero bit is '1',  
(PC) + 2 + 2n → PC

Status Affected: None

Encoding: 

|      |      |      |      |
|------|------|------|------|
| 1110 | 0000 | nnnn | nnnn |
|------|------|------|------|

Description: If the Zero bit is '1', then the program will branch.  
  
The 2's complement number, '2n', is added to the PC. Since the PC will have incremented to fetch the next instruction, the new address will be PC + 2 + 2n. This instruction is then a two-cycle instruction.

Words: 1

Cycles: 1(2)

Q Cycle Activity:  
If Jump:

| Q1           | Q2               | Q3           | Q4           |
|--------------|------------------|--------------|--------------|
| Decode       | Read literal 'n' | Process Data | Write to PC  |
| No operation | No operation     | No operation | No operation |

If No Jump:

| Q1     | Q2               | Q3           | Q4           |
|--------|------------------|--------------|--------------|
| Decode | Read literal 'n' | Process Data | No operation |

**Example:**                    HERE                    BZ    Jump

Before Instruction  
PC = address (HERE)

After Instruction  
If Zero = 1;  
PC = address (Jump)

If Zero = 0;  
PC = address (HERE + 2)

## CALL Subroutine Call

Syntax: CALL k {,s}

Operands:  $0 \leq k \leq 1048575$   
s ∈ [0,1]

Operation: (PC) + 4 → TOS,  
k → PC<20:1>;  
if s = 1,  
(W) → WS,  
(STATUS) → STATUSs,  
(BSR) → BSRS

Status Affected: None

Encoding: 

|      |                     |                    |                   |
|------|---------------------|--------------------|-------------------|
| 1110 | 110s                | k <sub>7</sub> kkk | kkkk <sub>0</sub> |
| 1111 | k <sub>19</sub> kkk | kkkk               | kkkk <sub>8</sub> |

1st word (k<7:0>)  
2nd word(k<19:8>)

Description: Subroutine call of entire 2-Mbyte memory range. First, return address (PC + 4) is pushed onto the return stack. If 's' = 1, the W, STATUS and BSR registers are also pushed into their respective shadow registers, WS, STATUSs and BSRS. If 's' = 0, no update occurs (default). Then, the 20-bit value 'k' is loaded into PC<20:1>. CALL is a two-cycle instruction.

Words: 2

Cycles: 2

Q Cycle Activity:

| Q1           | Q2   | Q3               | Q4                                     |
|--------------|--|------------------|--|
| Decode       | Read literal 'k'<7:0>,<br>Push PC to stack | Push PC to stack | Read literal 'k'<19:8>,<br>Write to PC |
| No operation | No operation                               | No operation     | No operation                           |

**Example:**                    HERE                    CALL    THERE , 1

Before Instruction  
PC = address (HERE)

After Instruction  
PC = address (THERE)  
TOS = address (HERE + 4)  
WS = W  
BSRS = BSR  
STATUSs = STATUS

# PIC18F46J50 FAMILY

| CLRf              | Clear f   |              |                    |      |      |        |                   |              |                    |
|-------------------|---|--------------|--------------------|------|------|--------|-------------------|--------------|--------------------|
| Syntax:           | CLRf f{,a}  |              |                    |      |      |        |                   |              |                    |
| Operands:         | 0 ≤ f ≤ 255<br>a ∈ [0,1]  |              |                    |      |      |        |                   |              |                    |
| Operation:        | 000h → f,<br>1 → Z  |              |                    |      |      |        |                   |              |                    |
| Status Affected:  | Z   |              |                    |      |      |        |                   |              |                    |
| Encoding:         | <table border="1"> <tr> <td>0110</td> <td>101a</td> <td>ffff</td> <td>ffff</td> </tr> </table>  | 0110         | 101a               | ffff | ffff |        |                   |              |                    |
| 0110              | 101a  | ffff         | ffff               |      |      |        |                   |              |                    |
| Description:      | Clears the contents of the specified register.<br><br>If 'a' is '0', the Access Bank is selected.<br>If 'a' is '1', the BSR is used to select the GPR bank (default).<br><br>If 'a' is '0' and the extended instruction set is enabled, this instruction operates in Indexed Literal Offset Addressing mode whenever f ≤ 95 (5Fh). See <a href="#">Section 28.2.3 "Byte-Oriented and Bit-Oriented Instructions in Indexed Literal Offset Mode"</a> for details. |              |                    |      |      |        |                   |              |                    |
| Words:            | 1   |              |                    |      |      |        |                   |              |                    |
| Cycles:           | 1   |              |                    |      |      |        |                   |              |                    |
| Q Cycle Activity: | <table border="1"> <thead> <tr> <th>Q1</th> <th>Q2</th> <th>Q3</th> <th>Q4</th> </tr> </thead> <tbody> <tr> <td>Decode</td> <td>Read register 'f'</td> <td>Process Data</td> <td>Write register 'f'</td> </tr> </tbody> </table>  | Q1           | Q2                 | Q3   | Q4   | Decode | Read register 'f' | Process Data | Write register 'f' |
| Q1                | Q2  | Q3           | Q4                 |      |      |        |                   |              |                    |
| Decode            | Read register 'f'   | Process Data | Write register 'f' |      |      |        |                   |              |                    |

**Example:** CLRf FLAG\_REG, 1

Before Instruction  
FLAG\_REG = 5Ah

After Instruction  
FLAG\_REG = 00h

| CLRWDt            | Clear Watchdog Timer  |              |              |      |      |        |              |              |              |
|-------------------|---|--------------|--------------|------|------|--------|--------------|--------------|--------------|
| Syntax:           | CLRWDt  |              |              |      |      |        |              |              |              |
| Operands:         | None  |              |              |      |      |        |              |              |              |
| Operation:        | 000h → WDT,<br>000h → WDT postscaler,<br>1 → $\overline{TO}$ ,<br>1 → $\overline{PD}$   |              |              |      |      |        |              |              |              |
| Status Affected:  | $\overline{TO}$ , $\overline{PD}$   |              |              |      |      |        |              |              |              |
| Encoding:         | <table border="1"> <tr> <td>0000</td> <td>0000</td> <td>0000</td> <td>0100</td> </tr> </table>  | 0000         | 0000         | 0000 | 0100 |        |              |              |              |
| 0000              | 0000  | 0000         | 0100         |      |      |        |              |              |              |
| Description:      | CLRWDt instruction resets the Watchdog Timer. It also resets the postscaler of the WDT. Status bits, $\overline{TO}$ and $\overline{PD}$ , are set.   |              |              |      |      |        |              |              |              |
| Words:            | 1   |              |              |      |      |        |              |              |              |
| Cycles:           | 1   |              |              |      |      |        |              |              |              |
| Q Cycle Activity: | <table border="1"> <thead> <tr> <th>Q1</th> <th>Q2</th> <th>Q3</th> <th>Q4</th> </tr> </thead> <tbody> <tr> <td>Decode</td> <td>No operation</td> <td>Process Data</td> <td>No operation</td> </tr> </tbody> </table> | Q1           | Q2           | Q3   | Q4   | Decode | No operation | Process Data | No operation |
| Q1                | Q2  | Q3           | Q4           |      |      |        |              |              |              |
| Decode            | No operation  | Process Data | No operation |      |      |        |              |              |              |

**Example:** CLRWDt

Before Instruction  
WDT Counter = ?

After Instruction  
WDT Counter = 00h  
WDT Postscaler = 0  
 $\overline{TO}$  = 1  
 $\overline{PD}$  = 1

# PIC18F46J50 FAMILY

**COMF**                      **Complement f**

---

Syntax:                    COMF f {,d {,a}}

Operands:                 $0 \leq f \leq 255$   
 $d \in [0,1]$   
 $a \in [0,1]$

Operation:                 $\bar{f} \rightarrow \text{dest}$

Status Affected:        N, Z

Encoding:                

|      |      |      |      |
|------|------|------|------|
| 0001 | 11da | ffff | ffff |
|------|------|------|------|

Description:             The contents of register, 'f', are complemented. If 'd' is '0', the result is stored in W. If 'd' is '1', the result is stored back in register, 'f' (default).

                              If 'a' is '0', the Access Bank is selected. If 'a' is '1', the BSR is used to select the GPR bank (default).

                              If 'a' is '0' and the extended instruction set is enabled, this instruction operates in Indexed Literal Offset Addressing mode whenever  $f \leq 95$  (5Fh). See [Section 28.2.3 "Byte-Oriented and Bit-Oriented Instructions in Indexed Literal Offset Mode"](#) for details.

Words:                    1

Cycles:                    1

Q Cycle Activity:

| Q1     | Q2                | Q3           | Q4                   |
|--------|-------------------|--------------|----------------------|
| Decode | Read register 'f' | Process Data | Write to destination |

Example:                COMF        REG, 0, 0

Before Instruction  
REG = 13h

After Instruction  
REG = 13h  
W = ECh

**CPFSEQ**                    **Compare f with W, Skip if f = W**

---

Syntax:                    CPFSEQ f {,a}

Operands:                 $0 \leq f \leq 255$   
 $a \in [0,1]$

Operation:                 $(f) - (W)$ ,  
skip if  $(f) = (W)$   
(unsigned comparison)

Status Affected:        None

Encoding:                

|      |      |      |      |
|------|------|------|------|
| 0110 | 001a | ffff | ffff |
|------|------|------|------|

Description:             Compares the contents of data memory location, 'f', to the contents of W by performing an unsigned subtraction.

                              If 'f' = W, then the fetched instruction is discarded and a NOP is executed instead, making this a two-cycle instruction.

                              If 'a' is '0', the Access Bank is selected. If 'a' is '1', the BSR is used to select the GPR bank (default).

                              If 'a' is '0' and the extended instruction set is enabled, this instruction operates in Indexed Literal Offset Addressing mode whenever  $f \leq 95$  (5Fh). See [Section 28.2.3 "Byte-Oriented and Bit-Oriented Instructions in Indexed Literal Offset Mode"](#) for details.

Words:                    1

Cycles:                    1(2)

**Note:** 3 cycles if skip and followed by a 2-word instruction.

Q Cycle Activity:

| Q1     | Q2                | Q3           | Q4           |
|--------|-------------------|--------------|--------------|
| Decode | Read register 'f' | Process Data | No operation |

If skip:

| Q1           | Q2           | Q3           | Q4           |
|--------------|--------------|--------------|--------------|
| No operation | No operation | No operation | No operation |

If skip and followed by 2-word instruction:

| Q1           | Q2           | Q3           | Q4           |
|--------------|--------------|--------------|--------------|
| No operation | No operation | No operation | No operation |
| No operation | No operation | No operation | No operation |

Example:                HERE        CPFSEQ REG, 0  
NEQUAL        :  
EQUAL         :

Before Instruction  
PC Address = HERE  
W = ?  
REG = ?

After Instruction  
If REG = W;  
PC = Address (EQUAL)  
If REG  $\neq$  W;  
PC = Address (NEQUAL)

# PIC18F46J50 FAMILY

**CPFSGT**      **Compare f with W, Skip if f > W**

Syntax:      CPFSGT f {,a}

Operands:     $0 \leq f \leq 255$   
 $a \in [0,1]$

Operation:    (f) – (W),  
 skip if (f) > (W)  
 (unsigned comparison)

Status Affected:    None

Encoding:    

|      |      |      |      |
|------|------|------|------|
| 0110 | 010a | ffff | ffff |
|------|------|------|------|

Description:    Compares the contents of data memory location, 'f', to the contents of the W by performing an unsigned subtraction.

                  If the contents of 'f' are greater than the contents of WREG, then the fetched instruction is discarded and a NOP is executed instead, making this a two-cycle instruction.

                  If 'a' is '0', the Access Bank is selected. If 'a' is '1', the BSR is used to select the GPR bank (default).

                  If 'a' is '0' and the extended instruction set is enabled, this instruction operates in Indexed Literal Addressing mode whenever  $f \leq 95$  (5Fh). See [Section 28.2.3 "Byte-Oriented and Bit-Oriented Instructions in Indexed Literal Offset Mode"](#) for details.

Words:        1

Cycles:        1(2)  
**Note:** 3 cycles if skip and followed by a 2-word instruction.

Q Cycle Activity:

| Q1     | Q2                | Q3           | Q4           |
|--------|-------------------|--------------|--------------|
| Decode | Read register 'f' | Process Data | No operation |

If skip:

| Q1           | Q2           | Q3           | Q4           |
|--------------|--------------|--------------|--------------|
| No operation | No operation | No operation | No operation |

If skip and followed by 2-word instruction:

| Q1           | Q2           | Q3           | Q4           |
|--------------|--------------|--------------|--------------|
| No operation | No operation | No operation | No operation |
| No operation | No operation | No operation | No operation |

**Example:**      HERE      CPFSGT REG, 0  
                   NGREATER :  
                   GREATER :

Before Instruction

PC            =    Address (HERE)  
 W            =    ?

After Instruction

If REG       >    W;  
 PC           =    Address (GREATER)  
 If REG       ≤    W;  
 PC           =    Address (NGREATER)

**CPFSLT**      **Compare f with W, Skip if f < W**

Syntax:      CPFSLT f {,a}

Operands:     $0 \leq f \leq 255$   
 $a \in [0,1]$

Operation:    (f) – (W),  
 skip if (f) < (W)  
 (unsigned comparison)

Status Affected:    None

Encoding:    

|      |      |      |      |
|------|------|------|------|
| 0110 | 000a | ffff | ffff |
|------|------|------|------|

Description:    Compares the contents of data memory location, 'f', to the contents of W by performing an unsigned subtraction.

                  If the contents of 'f' are less than the contents of W, then the fetched instruction is discarded and a NOP is executed instead, making this a two-cycle instruction.

                  If 'a' is '0', the Access Bank is selected. If 'a' is '1', the BSR is used to select the GPR bank (default).

Words:        1

Cycles:        1(2)  
**Note:** 3 cycles if skip and followed by a 2-word instruction.

Q Cycle Activity:

| Q1     | Q2                | Q3           | Q4           |
|--------|-------------------|--------------|--------------|
| Decode | Read register 'f' | Process Data | No operation |

If skip:

| Q1           | Q2           | Q3           | Q4           |
|--------------|--------------|--------------|--------------|
| No operation | No operation | No operation | No operation |

If skip and followed by 2-word instruction:

| Q1           | Q2           | Q3           | Q4           |
|--------------|--------------|--------------|--------------|
| No operation | No operation | No operation | No operation |
| No operation | No operation | No operation | No operation |

**Example:**      HERE      CPFSLT REG, 1  
                   NLESS :  
                   LESS :

Before Instruction

PC            =    Address (HERE)  
 W            =    ?

After Instruction

If REG       <    W;  
 PC           =    Address (LESS)  
 If REG       ≥    W;  
 PC           =    Address (NLESS)

# PIC18F46J50 FAMILY

**DAW**                      **Decimal Adjust W Register**

---

Syntax:                      DAW

Operands:                    None

Operation:                    If  $[W<3:0> > 9]$  or  $[DC = 1]$  then,  
 $(W<3:0>) + 6 \rightarrow W<3:0>$ ;  
 else,  
 $(W<3:0>) \rightarrow W<3:0>$

                                  If  $[W<7:4> > 9]$  or  $[C = 1]$  then,  
 $(W<7:4>) + 6 \rightarrow W<7:4>$ ;  
 $C = 1$ ;  
 else,  
 $(W<7:4>) \rightarrow W<7:4>$

Status Affected:            C

Encoding:                    

|      |      |      |      |
|------|------|------|------|
| 0000 | 0000 | 0000 | 0111 |
|------|------|------|------|

Description:                DAW adjusts the eight-bit value in W, resulting from the earlier addition of two variables (each in packed BCD format) and produces a correct packed BCD result.

Words:                        1

Cycles:                        1

Q Cycle Activity:

| Q1     | Q2              | Q3           | Q4      |
|--------|-----------------|--------------|---------|
| Decode | Read register W | Process Data | Write W |

**Example 1:**                      DAW

Before Instruction

W                      =    A5h

C                      =    0

DC                     =    0

After Instruction

W                      =    05h

C                      =    1

DC                     =    0

**Example 2:**

Before Instruction

W                      =    CEh

C                      =    0

DC                     =    0

After Instruction

W                      =    34h

C                      =    1

DC                     =    0

**DECF**                      **Decrement f**

---

Syntax:                       $DECF \ f\{,d\}\{,a\}$

Operands:                     $0 \leq f \leq 255$   
 $d \in [0,1]$   
 $a \in [0,1]$

Operation:                     $(f) - 1 \rightarrow \text{dest}$

Status Affected:            C, DC, N, OV, Z

Encoding:                    

|      |      |      |      |
|------|------|------|------|
| 0000 | 01da | ffff | ffff |
|------|------|------|------|

Description:                Decrement register, 'f'. If 'd' is '0', the result is stored in W. If 'd' is '1', the result is stored back in register, 'f' (default).

                                  If 'a' is '0', the Access Bank is selected. If 'a' is '1', the BSR is used to select the GPR bank (default).

                                  If 'a' is '0' and the extended instruction set is enabled, this instruction operates in Indexed Literal Offset Addressing mode whenever  $f \leq 95$  (5Fh). See [Section 28.2.3 "Byte-Oriented and Bit-Oriented Instructions in Indexed Literal Offset Mode"](#) for details.

Words:                        1

Cycles:                        1

Q Cycle Activity:

| Q1     | Q2                | Q3           | Q4                   |
|--------|-------------------|--------------|----------------------|
| Decode | Read register 'f' | Process Data | Write to destination |

**Example:**                       $DECF \ CNT, \ 1, \ 0$

Before Instruction

CNT                    =    01h

Z                        =    0

After Instruction

CNT                    =    00h

Z                        =    1



# PIC18F46J50 FAMILY

## GOTO Unconditional Branch

Syntax: GOTO k

Operands:  $0 \leq k \leq 1048575$

Operation:  $k \rightarrow PC<20:1>$

Status Affected: None

Encoding:

|      |              |           |            |
|------|--------------|-----------|------------|
| 1110 | 1111         | $k_7$ kkk | kkkk $k_0$ |
| 1111 | $k_{19}$ kkk | kkkk      | kkkk $k_8$ |

Description: GOTO allows an unconditional branch anywhere within entire 2-Mbyte memory range. The 20-bit value 'k' is loaded into PC<20:1>. GOTO is always a two-cycle instruction.

Words: 2

Cycles: 2

Q Cycle Activity:

| Q1           | Q2                     | Q3           | Q4                                  |
|--------------|------------------------|--------------|-------------------------------------|
| Decode       | Read literal 'k'<7:0>, | No operation | Read literal 'k'<19:8>, Write to PC |
| No operation | No operation           | No operation | No operation                        |

Example: GOTO THERE

After Instruction

PC = Address (THERE)

## INCF Increment f

Syntax: INCF f{,d {,a}}

Operands:  $0 \leq f \leq 255$   
 $d \in [0,1]$   
 $a \in [0,1]$

Operation:  $(f) + 1 \rightarrow \text{dest}$

Status Affected: C, DC, N, OV, Z

Encoding:

|      |      |      |      |
|------|------|------|------|
| 0010 | 10da | ffff | ffff |
|------|------|------|------|

Description: The contents of register, 'f', are incremented. If 'd' is '0', the result is placed in W. If 'd' is '1', the result is placed back in register, 'f' (default).

If 'a' is '0', the Access Bank is selected. If 'a' is '1', the BSR is used to select the GPR bank (default).

If 'a' is '0' and the extended instruction set is enabled, this instruction operates in Indexed Literal Offset Addressing mode whenever  $f \leq 95$  (5Fh). See [Section 28.2.3 "Byte-Oriented and Bit-Oriented Instructions in Indexed Literal Offset Mode"](#) for details.

Words: 1

Cycles: 1

Q Cycle Activity:

| Q1     | Q2                | Q3           | Q4                   |
|--------|-------------------|--------------|----------------------|
| Decode | Read register 'f' | Process Data | Write to destination |

Example: INCF CNT, 1, 0

Before Instruction

CNT = FFh  
Z = 0  
C = ?  
DC = ?

After Instruction

CNT = 00h  
Z = 1  
C = 1  
DC = 1



# PIC18F46J50 FAMILY

**INCFSZ**                    **Increment f, Skip if 0**

---

Syntax:                    INCFSZ f {,d {,a}}

Operands:                 $0 \leq f \leq 255$   
 $d \in [0,1]$   
 $a \in [0,1]$

Operation:                 $(f) + 1 \rightarrow \text{dest}$ ,  
skip if result = 0

Status Affected:        None

Encoding:                

|      |      |      |      |
|------|------|------|------|
| 0011 | 11da | ffff | ffff |
|------|------|------|------|

Description:             The contents of register, 'f', are incremented. If 'd' is '0', the result is placed in W. If 'd' is '1', the result is placed back in register, 'f' (default).

If the result is '0', the next instruction which is already fetched is discarded and a NOP is executed instead, making it a two-cycle instruction.

If 'a' is '0', the Access Bank is selected. If 'a' is '1', the BSR is used to select the GPR bank (default).

If 'a' is '0' and the extended instruction set is enabled, this instruction operates in Indexed Literal Offset Addressing mode whenever  $f \leq 95$  (5Fh). See [Section 28.2.3 "Byte-Oriented and Bit-Oriented Instructions in Indexed Literal Offset Mode"](#) for details.

Words:                    1

Cycles:                    1(2)  
**Note:** 3 cycles if skip and followed by a 2-word instruction.

Q Cycle Activity:

| Q1     | Q2                | Q3           | Q4                   |
|--------|-------------------|--------------|----------------------|
| Decode | Read register 'f' | Process Data | Write to destination |

If skip:

| Q1           | Q2           | Q3           | Q4           |
|--------------|--------------|--------------|--------------|
| No operation | No operation | No operation | No operation |

If skip and followed by 2-word instruction:

| Q1           | Q2           | Q3           | Q4           |
|--------------|--------------|--------------|--------------|
| No operation | No operation | No operation | No operation |
| No operation | No operation | No operation | No operation |

**Example:**                HERE    INCFSZ    CNT, 1, 0  
                              NZERO    :  
                              ZERO     :

Before Instruction  
PC = Address (HERE)

After Instruction  
CNT = CNT + 1  
If CNT = 0;  
PC = Address (ZERO)  
If CNT  $\neq$  0;  
PC = Address (NZERO)

**INFSNZ**                    **Increment f, Skip if not 0**

---

Syntax:                    INFSNZ f {,d {,a}}

Operands:                 $0 \leq f \leq 255$   
 $d \in [0,1]$   
 $a \in [0,1]$

Operation:                 $(f) + 1 \rightarrow \text{dest}$ ,  
skip if result  $\neq 0$

Status Affected:        None

Encoding:                

|      |      |      |      |
|------|------|------|------|
| 0100 | 10da | ffff | ffff |
|------|------|------|------|

Description:             The contents of register, 'f', are incremented. If 'd' is '0', the result is placed in W. If 'd' is '1', the result is placed back in register, 'f' (default).

If the result is not '0', the next instruction which is already fetched is discarded and a NOP is executed instead, making it a two-cycle instruction.

If 'a' is '0', the Access Bank is selected. If 'a' is '1', the BSR is used to select the GPR bank (default).

If 'a' is '0' and the extended instruction set is enabled, this instruction operates in Indexed Literal Offset Addressing mode whenever  $f \leq 95$  (5Fh). See [Section 28.2.3 "Byte-Oriented and Bit-Oriented Instructions in Indexed Literal Offset Mode"](#) for details.

Words:                    1

Cycles:                    1(2)  
**Note:** 3 cycles if skip and followed by a 2-word instruction.

Q Cycle Activity:

| Q1     | Q2                | Q3           | Q4                   |
|--------|-------------------|--------------|----------------------|
| Decode | Read register 'f' | Process Data | Write to destination |

If skip:

| Q1           | Q2           | Q3           | Q4           |
|--------------|--------------|--------------|--------------|
| No operation | No operation | No operation | No operation |

If skip and followed by 2-word instruction:

| Q1           | Q2           | Q3           | Q4           |
|--------------|--------------|--------------|--------------|
| No operation | No operation | No operation | No operation |
| No operation | No operation | No operation | No operation |

**Example:**                HERE    INFSNZ    REG, 1, 0  
                              ZERO    :  
                              NZERO   :

Before Instruction  
PC = Address (HERE)

After Instruction  
REG = REG + 1  
If REG  $\neq$  0;  
PC = Address (NZERO)  
If REG = 0;  
PC = Address (ZERO)

# PIC18F46J50 FAMILY

|                   |   |              |            |       |       |        |                  |              |            |
|-------------------|---|--------------|------------|-------|-------|--------|------------------|--------------|------------|
| <b>IORLW</b>      | <b>Inclusive OR Literal with W</b>  |              |            |       |       |        |                  |              |            |
| Syntax:           | IORLW k   |              |            |       |       |        |                  |              |            |
| Operands:         | $0 \leq k \leq 255$   |              |            |       |       |        |                  |              |            |
| Operation:        | (W) .OR. k $\rightarrow$ W  |              |            |       |       |        |                  |              |            |
| Status Affected:  | N, Z  |              |            |       |       |        |                  |              |            |
| Encoding:         | <table border="1" style="display: inline-table; border-collapse: collapse;"> <tr> <td style="padding: 2px;">0000</td> <td style="padding: 2px;">1001</td> <td style="padding: 2px;">kkkkk</td> <td style="padding: 2px;">kkkkk</td> </tr> </table>  | 0000         | 1001       | kkkkk | kkkkk |        |                  |              |            |
| 0000              | 1001  | kkkkk        | kkkkk      |       |       |        |                  |              |            |
| Description:      | The contents of W are ORed with the eight-bit literal 'k'. The result is placed in W.   |              |            |       |       |        |                  |              |            |
| Words:            | 1   |              |            |       |       |        |                  |              |            |
| Cycles:           | 1   |              |            |       |       |        |                  |              |            |
| Q Cycle Activity: | <table border="1" style="display: inline-table; border-collapse: collapse; text-align: center;"> <tr> <td style="padding: 2px;">Q1</td> <td style="padding: 2px;">Q2</td> <td style="padding: 2px;">Q3</td> <td style="padding: 2px;">Q4</td> </tr> <tr> <td style="padding: 2px;">Decode</td> <td style="padding: 2px;">Read literal 'k'</td> <td style="padding: 2px;">Process Data</td> <td style="padding: 2px;">Write to W</td> </tr> </table> | Q1           | Q2         | Q3    | Q4    | Decode | Read literal 'k' | Process Data | Write to W |
| Q1                | Q2  | Q3           | Q4         |       |       |        |                  |              |            |
| Decode            | Read literal 'k'  | Process Data | Write to W |       |       |        |                  |              |            |

**Example:**            IORLW    35h

Before Instruction  
W        =    9Ah

After Instruction  
W        =    BFh

|                   |  |              |                      |      |      |        |                   |              |                      |
|-------------------|--|--------------|----------------------|------|------|--------|-------------------|--------------|----------------------|
| <b>IORWF</b>      | <b>Inclusive OR W with f</b>   |              |                      |      |      |        |                   |              |                      |
| Syntax:           | IORWF f {,d {,a}}  |              |                      |      |      |        |                   |              |                      |
| Operands:         | $0 \leq f \leq 255$<br>$d \in [0,1]$<br>$a \in [0,1]$  |              |                      |      |      |        |                   |              |                      |
| Operation:        | (W) .OR. (f) $\rightarrow$ dest  |              |                      |      |      |        |                   |              |                      |
| Status Affected:  | N, Z   |              |                      |      |      |        |                   |              |                      |
| Encoding:         | <table border="1" style="display: inline-table; border-collapse: collapse;"> <tr> <td style="padding: 2px;">0001</td> <td style="padding: 2px;">00da</td> <td style="padding: 2px;">ffff</td> <td style="padding: 2px;">ffff</td> </tr> </table>   | 0001         | 00da                 | ffff | ffff |        |                   |              |                      |
| 0001              | 00da   | ffff         | ffff                 |      |      |        |                   |              |                      |
| Description:      | Inclusive OR W with register, 'f'. If 'd' is '0', the result is placed in W. If 'd' is '1', the result is placed back in register, 'f' (default).<br><br>If 'a' is '0', the Access Bank is selected. If 'a' is '1', the BSR is used to select the GPR bank (default).<br><br>If 'a' is '0' and the extended instruction set is enabled, this instruction operates in Indexed Literal Offset Addressing mode whenever $f \leq 95$ (5Fh). See <a href="#">Section 28.2.3 "Byte-Oriented and Bit-Oriented Instructions in Indexed Literal Offset Mode"</a> for details. |              |                      |      |      |        |                   |              |                      |
| Words:            | 1  |              |                      |      |      |        |                   |              |                      |
| Cycles:           | 1  |              |                      |      |      |        |                   |              |                      |
| Q Cycle Activity: | <table border="1" style="display: inline-table; border-collapse: collapse; text-align: center;"> <tr> <td style="padding: 2px;">Q1</td> <td style="padding: 2px;">Q2</td> <td style="padding: 2px;">Q3</td> <td style="padding: 2px;">Q4</td> </tr> <tr> <td style="padding: 2px;">Decode</td> <td style="padding: 2px;">Read register 'f'</td> <td style="padding: 2px;">Process Data</td> <td style="padding: 2px;">Write to destination</td> </tr> </table>   | Q1           | Q2                   | Q3   | Q4   | Decode | Read register 'f' | Process Data | Write to destination |
| Q1                | Q2   | Q3           | Q4                   |      |      |        |                   |              |                      |
| Decode            | Read register 'f'  | Process Data | Write to destination |      |      |        |                   |              |                      |

**Example:**            IORWF RESULT, 0, 1

Before Instruction  
RESULT = 13h  
W        = 91h

After Instruction  
RESULT = 13h  
W        = 93h

# PIC18F46J50 FAMILY

**LFSR**                      **Load FSR**

---

Syntax:                      LFSR f, k

Operands:                     $0 \leq f \leq 2$   
 $0 \leq k \leq 4095$

Operation:                     $k \rightarrow \text{FSRf}$

Status Affected:            None

Encoding:                    

|      |      |          |             |
|------|------|----------|-------------|
| 1110 | 1110 | 00ff     | $k_{11}kkk$ |
| 1111 | 0000 | $k_7kkk$ | kkkk        |

Description:                The 12-bit literal, 'k', is loaded into the file select register pointed to by 'f'.

Words:                        2

Cycles:                        2

Q Cycle Activity:

|        | Q1                   | Q2           | Q3                             | Q4 |
|--------|----------------------|--------------|--------------------------------|----|
| Decode | Read literal 'k' MSB | Process Data | Write literal 'k' MSB to FSRfH |    |
| Decode | Read literal 'k' LSB | Process Data | Write literal 'k' to FSRfL     |    |

**Example:**                      LFSR 2, 0x3AB

After Instruction  
 FSR2H                      = 03h  
 FSR2L                      = ABh

**MOVf**                        **Move f**

---

Syntax:                        MOVf f {,d {,a}}

Operands:                     $0 \leq f \leq 255$   
 $d \in [0,1]$   
 $a \in [0,1]$

Operation:                     $f \rightarrow \text{dest}$

Status Affected:            N, Z

Encoding:                    

|      |      |      |      |
|------|------|------|------|
| 0101 | 00da | ffff | ffff |
|------|------|------|------|

Description:                The contents of register, 'f', are moved to a destination dependent upon the status of 'd'. If 'd' is '0', the result is placed in W. If 'd' is '1', the result is placed back in register, 'f' (default). Location, 'f', can be anywhere in the 256-byte bank.

If 'a' is '0', the Access Bank is selected. If 'a' is '1', the BSR is used to select the GPR bank (default).

If 'a' is '0' and the extended instruction set is enabled, this instruction operates in Indexed Literal Offset Addressing mode whenever  $f \leq 95$  (5Fh). See [Section 28.2.3 "Byte-Oriented and Bit-Oriented Instructions in Indexed Literal Offset Mode"](#) for details.

Words:                        1

Cycles:                        1

Q Cycle Activity:

|        | Q1                | Q2           | Q3      | Q4 |
|--------|-------------------|--------------|---------|----|
| Decode | Read register 'f' | Process Data | Write W |    |

**Example:**                        MOVf REG, 0, 0

Before Instruction  
 REG                        = 22h  
 W                            = FFh

After Instruction  
 REG                        = 22h  
 W                            = 22h

# PIC18F46J50 FAMILY

## MOVFF

### Move f to f

Syntax: MOVFF  $f_s, f_d$

Operands:  $0 \leq f_s \leq 4095$   
 $0 \leq f_d \leq 4095$

Operation:  $(f_s) \rightarrow f_d$

Status Affected: None

Encoding:

|                    |      |      |      |                   |
|--------------------|------|------|------|-------------------|
| 1st word (source)  | 1100 | ffff | ffff | ffff <sub>s</sub> |
| 2nd word (destin.) | 1111 | ffff | ffff | ffff <sub>d</sub> |

Description: The contents of source register, ' $f_s$ ', are moved to destination register, ' $f_d$ '. Location of source ' $f_s$ ' can be anywhere in the 4096-byte data space (000h to FFFh) and location of destination, ' $f_d$ ', can also be anywhere from 000h to FFFh.

Either source or destination can be W (a useful special situation).

MOVFF is particularly useful for transferring a data memory location to a peripheral register (such as the transmit buffer or an I/O port).

The MOVFF instruction cannot use the PCL, TOSU, TOSH or TOSL as the destination register

Words: 2

Cycles: 2

Q Cycle Activity:

|        | Q1     | Q2                            | Q3           | Q4                        |
|--------|--------|-------------------------------|--------------|---------------------------|
| Decode | Decode | Read register 'f' (src)       | Process Data | No operation              |
| Decode | Decode | No operation<br>No dummy read | No operation | Write register 'f' (dest) |

**Example:** MOVFF REG1, REG2

Before Instruction

REG1 = 33h  
 REG2 = 11h

After Instruction

REG1 = 33h  
 REG2 = 33h

## MOVLB

### Move Literal to Low Nibble in BSR

Syntax: MOVLB k

Operands:  $0 \leq k \leq 255$

Operation:  $k \rightarrow \text{BSR}$

Status Affected: None

Encoding: 

|      |      |      |      |
|------|------|------|------|
| 0000 | 0001 | kkkk | kkkk |
|------|------|------|------|

Description: The eight-bit literal, 'k', is loaded into the Bank Select Register (BSR). The value of BSR<7:4> always remains '0' regardless of the value of  $k_{7:k_4}$ .

Words: 1

Cycles: 1

Q Cycle Activity:

|        | Q1     | Q2               | Q3           | Q4                       |
|--------|--------|------------------|--------------|--------------------------|
| Decode | Decode | Read literal 'k' | Process Data | Write literal 'k' to BSR |

**Example:** MOVLB 5

Before Instruction

BSR Register = 02h

After Instruction

BSR Register = 05h

# PIC18F46J50 FAMILY

## MOVLW Move Literal to W

Syntax: MOVLW k  
 Operands:  $0 \leq k \leq 255$   
 Operation:  $k \rightarrow W$   
 Status Affected: None  
 Encoding: 

|      |      |      |      |
|------|------|------|------|
| 0000 | 1110 | kkkk | kkkk |
|------|------|------|------|

  
 Description: The eight-bit literal, 'k', is loaded into W.  
 Words: 1  
 Cycles: 1

Q Cycle Activity:

| Q1     | Q2                  | Q3              | Q4            |
|--------|---------------------|-----------------|---------------|
| Decode | Read<br>literal 'k' | Process<br>Data | Write to<br>W |

**Example:** MOVLW 0x5A

After Instruction  
 W = 5Ah

## MOVWF Move W to f

Syntax: MOVWF f{,a}  
 Operands:  $0 \leq f \leq 255$   
 $a \in [0,1]$   
 Operation:  $(W) \rightarrow f$   
 Status Affected: None  
 Encoding: 

|      |      |      |      |
|------|------|------|------|
| 0110 | 111a | ffff | ffff |
|------|------|------|------|

  
 Description: Move data from W to register, 'f'. Location 'f' can be anywhere in the 256-byte bank.

If 'a' is '0', the Access Bank is selected. If 'a' is '1', the BSR is used to select the GPR bank (default).

If 'a' is '0' and the extended instruction set is enabled, this instruction operates in Indexed Literal Offset Addressing mode whenever  $f \leq 95$  (5Fh). See [Section 28.2.3 "Byte-Oriented and Bit-Oriented Instructions in Indexed Literal Offset Mode"](#) for details.

Words: 1

Cycles: 1

Q Cycle Activity:

| Q1     | Q2                   | Q3              | Q4                    |
|--------|----------------------|-----------------|-----------------------|
| Decode | Read<br>register 'f' | Process<br>Data | Write<br>register 'f' |

**Example:** MOVWF REG, 0

Before Instruction

W = 4Fh  
 REG = FFh

After Instruction

W = 4Fh  
 REG = 4Fh

# PIC18F46J50 FAMILY

## MULLW Multiply Literal with W

Syntax: MULLW k

Operands:  $0 \leq k \leq 255$

Operation:  $(W) \times k \rightarrow \text{PRODH:PRODL}$

Status Affected: None

Encoding: 

|      |      |      |      |
|------|------|------|------|
| 0000 | 1101 | kkkk | kkkk |
|------|------|------|------|

Description: An unsigned multiplication is carried out between the contents of W and the 8-bit literal 'k'. The 16-bit result is placed in PRODH:PRODL register pair. PRODH contains the high byte. W is unchanged.

None of the Status flags are affected.

Note that neither Overflow nor Carry is possible in this operation. A Zero result is possible but not detected.

Words: 1

Cycles: 1

Q Cycle Activity:

| Q1     | Q2               | Q3           | Q4                          |
|--------|------------------|--------------|-----------------------------|
| Decode | Read literal 'k' | Process Data | Write registers PRODH:PRODL |

Example: MULLW 0xC4

Before Instruction

W = E2h

PRODH = ?

PRODL = ?

After Instruction

W = E2h

PRODH = ADh

PRODL = 08h

## MULWF Multiply W with f

Syntax: MULWF f{,a}

Operands:  $0 \leq f \leq 255$   
 $a \in [0,1]$

Operation:  $(W) \times (f) \rightarrow \text{PRODH:PRODL}$

Status Affected: None

Encoding: 

|      |      |      |      |
|------|------|------|------|
| 0000 | 001a | ffff | ffff |
|------|------|------|------|

Description: An unsigned multiplication is carried out between the contents of W and the register file location, 'f'. The 16-bit result is stored in the PRODH:PRODL register pair. PRODH contains the high byte. Both W and 'f' are unchanged.

None of the Status flags are affected.

Note that neither Overflow nor Carry is possible in this operation. A Zero result is possible but not detected.

If 'a' is '0', the Access Bank is selected. If 'a' is '1', the BSR is used to select the GPR bank (default).

If 'a' is '0' and the extended instruction set is enabled, this instruction operates in Indexed Literal Offset Addressing mode whenever  $f \leq 95$  (5Fh). See [Section 28.2.3 "Byte-Oriented and Bit-Oriented Instructions in Indexed Literal Offset Mode"](#) for details.

Words: 1

Cycles: 1

Q Cycle Activity:

| Q1     | Q2                | Q3           | Q4                          |
|--------|-------------------|--------------|-----------------------------|
| Decode | Read register 'f' | Process Data | Write registers PRODH:PRODL |

Example: MULWF REG, 1

Before Instruction

W = C4h

REG = B5h

PRODH = ?

PRODL = ?

After Instruction

W = C4h

REG = B5h

PRODH = 8Ah

PRODL = 94h

# PIC18F46J50 FAMILY

| NEGF              | Negate f  |              |                    |      |      |        |                   |              |                    |
|-------------------|---|--------------|--------------------|------|------|--------|-------------------|--------------|--------------------|
| Syntax:           | NEGF f {,a}   |              |                    |      |      |        |                   |              |                    |
| Operands:         | $0 \leq f \leq 255$<br>$a \in [0,1]$  |              |                    |      |      |        |                   |              |                    |
| Operation:        | $(\bar{f}) + 1 \rightarrow f$   |              |                    |      |      |        |                   |              |                    |
| Status Affected:  | N, OV, C, DC, Z   |              |                    |      |      |        |                   |              |                    |
| Encoding:         | <table border="1"> <tr> <td>0110</td> <td>110a</td> <td>ffff</td> <td>ffff</td> </tr> </table>  | 0110         | 110a               | ffff | ffff |        |                   |              |                    |
| 0110              | 110a  | ffff         | ffff               |      |      |        |                   |              |                    |
| Description:      | <p>Location, 'f', is negated using two's complement. The result is placed in the data memory location, 'f'.</p> <p>If 'a' is '0', the Access Bank is selected. If 'a' is '1', the BSR is used to select the GPR bank (default).</p> <p>If 'a' is '0' and the extended instruction set is enabled, this instruction operates in Indexed Literal Offset Addressing mode whenever <math>f \leq 95</math> (5Fh). See <a href="#">Section 28.2.3 "Byte-Oriented and Bit-Oriented Instructions in Indexed Literal Offset Mode"</a> for details.</p> |              |                    |      |      |        |                   |              |                    |
| Words:            | 1   |              |                    |      |      |        |                   |              |                    |
| Cycles:           | 1   |              |                    |      |      |        |                   |              |                    |
| Q Cycle Activity: | <table border="1"> <thead> <tr> <th>Q1</th> <th>Q2</th> <th>Q3</th> <th>Q4</th> </tr> </thead> <tbody> <tr> <td>Decode</td> <td>Read register 'f'</td> <td>Process Data</td> <td>Write register 'f'</td> </tr> </tbody> </table>  | Q1           | Q2                 | Q3   | Q4   | Decode | Read register 'f' | Process Data | Write register 'f' |
| Q1                | Q2  | Q3           | Q4                 |      |      |        |                   |              |                    |
| Decode            | Read register 'f'   | Process Data | Write register 'f' |      |      |        |                   |              |                    |

**Example:**           NEGF    REG, 1

Before Instruction  
REG    =   0011 1010 [3Ah]

After Instruction  
REG    =   1100 0110 [C6h]

| NOP               | No Operation  |              |              |      |      |        |              |              |              |
|-------------------|---|--------------|--------------|------|------|--------|--------------|--------------|--------------|
| Syntax:           | NOP   |              |              |      |      |        |              |              |              |
| Operands:         | None  |              |              |      |      |        |              |              |              |
| Operation:        | No operation  |              |              |      |      |        |              |              |              |
| Status Affected:  | None  |              |              |      |      |        |              |              |              |
| Encoding:         | <table border="1"> <tr> <td>0000</td> <td>0000</td> <td>0000</td> <td>0000</td> </tr> <tr> <td>1111</td> <td>xxxx</td> <td>xxxx</td> <td>xxxx</td> </tr> </table>   | 0000         | 0000         | 0000 | 0000 | 1111   | xxxx         | xxxx         | xxxx         |
| 0000              | 0000  | 0000         | 0000         |      |      |        |              |              |              |
| 1111              | xxxx  | xxxx         | xxxx         |      |      |        |              |              |              |
| Description:      | No operation.   |              |              |      |      |        |              |              |              |
| Words:            | 1   |              |              |      |      |        |              |              |              |
| Cycles:           | 1   |              |              |      |      |        |              |              |              |
| Q Cycle Activity: | <table border="1"> <thead> <tr> <th>Q1</th> <th>Q2</th> <th>Q3</th> <th>Q4</th> </tr> </thead> <tbody> <tr> <td>Decode</td> <td>No operation</td> <td>No operation</td> <td>No operation</td> </tr> </tbody> </table> | Q1           | Q2           | Q3   | Q4   | Decode | No operation | No operation | No operation |
| Q1                | Q2  | Q3           | Q4           |      |      |        |              |              |              |
| Decode            | No operation  | No operation | No operation |      |      |        |              |              |              |

**Example:**

None.

# PIC18F46J50 FAMILY

## POP Pop Top of Return Stack

Syntax: POP

Operands: None

Operation: (TOS) → bit bucket

Status Affected: None

Encoding: 

|      |      |      |      |
|------|------|------|------|
| 0000 | 0000 | 0000 | 0110 |
|------|------|------|------|

Description: The TOS value is pulled off the return stack and is discarded. The TOS value then becomes the previous value that was pushed onto the return stack. This instruction is provided to enable the user to properly manage the return stack to incorporate a software stack.

Words: 1

Cycles: 1

Q Cycle Activity:

| Q1     | Q2           | Q3            | Q4           |
|--------|--------------|---------------|--------------|
| Decode | No operation | POP TOS value | No operation |

**Example:**

|                      |      |         |
|----------------------|------|---------|
|                      | POP  |         |
|                      | GOTO | NEW     |
| Before Instruction   |      |         |
| TOS                  | =    | 0031A2h |
| Stack (1 level down) | =    | 014332h |
| After Instruction    |      |         |
| TOS                  | =    | 014332h |
| PC                   | =    | NEW     |

## PUSH Push Top of Return Stack

Syntax: PUSH

Operands: None

Operation: (PC + 2) → TOS

Status Affected: None

Encoding: 

|      |      |      |      |
|------|------|------|------|
| 0000 | 0000 | 0000 | 0101 |
|------|------|------|------|

Description: The PC + 2 is pushed onto the top of the return stack. The previous TOS value is pushed down on the stack. This instruction allows implementing a software stack by modifying TOS and then pushing it onto the return stack.

Words: 1

Cycles: 1

Q Cycle Activity:

| Q1     | Q2                                  | Q3              | Q4              |
|--------|-------------------------------------|-----------------|-----------------|
| Decode | PUSH<br>PC + 2 onto<br>return stack | No<br>operation | No<br>operation |

**Example:**

|                      |      |       |
|----------------------|------|-------|
|                      | PUSH |       |
| Before Instruction   |      |       |
| TOS                  | =    | 345Ah |
| PC                   | =    | 0124h |
| After Instruction    |      |       |
| PC                   | =    | 0126h |
| TOS                  | =    | 0126h |
| Stack (1 level down) | =    | 345Ah |



# PIC18F46J50 FAMILY

**RCALL**                      **Relative Call**

---

Syntax:                      RCALL n

Operands:                     $-1024 \leq n \leq 1023$

Operation:                     $(PC) + 2 \rightarrow TOS,$   
 $(PC) + 2 + 2n \rightarrow PC$

Status Affected:            None

Encoding:                    

|      |      |      |      |
|------|------|------|------|
| 1101 | 1nnn | nnnn | nnnn |
|------|------|------|------|

Description:                 Subroutine call with a jump up to 1K from the current location. First, return address  $(PC + 2)$  is pushed onto the stack. Then, add the 2's complement number '2n' to the PC. Since the PC will have incremented to fetch the next instruction, the new address will be  $PC + 2 + 2n$ . This instruction is a two-cycle instruction.

Words:                        1

Cycles:                        2

Q Cycle Activity:

| Q1           | Q2                                   | Q3           | Q4           |
|--------------|--------------------------------------|--------------|--------------|
| Decode       | Read literal 'n'<br>PUSH PC to stack | Process Data | Write to PC  |
| No operation | No operation                         | No operation | No operation |

Example:                    HERE            RCALL Jump

Before Instruction

PC = Address (HERE)

After Instruction

PC = Address (Jump)

TOS = Address (HERE + 2)

**RESET**                      **Reset**

---

Syntax:                      RESET

Operands:                    None

Operation:                    Reset all registers and flags that are affected by a MCLR Reset.

Status Affected:            All

Encoding:                    

|      |      |      |      |
|------|------|------|------|
| 0000 | 0000 | 1111 | 1111 |
|------|------|------|------|

Description:                 This instruction provides a way to execute a MCLR Reset in software.

Words:                        1

Cycles:                        1

Q Cycle Activity:

| Q1     | Q2          | Q3           | Q4           |
|--------|-------------|--------------|--------------|
| Decode | Start reset | No operation | No operation |

Example:                    RESET

After Instruction

Registers = Reset Value

Flags\* = Reset Value

# PIC18F46J50 FAMILY

## RETFIE Return from Interrupt

**Syntax:** RETFIE {s}

**Operands:**  $s \in [0,1]$

**Operation:** (TOS) → PC,  
 $1 \rightarrow$  GIE/GIEH or PEIE/GIEL;  
 if  $s = 1$ ,  
 (WS) → W,  
 (STATUS) → STATUS,  
 (BSRS) → BSR,  
 PCLATU, PCLATH are unchanged

**Status Affected:** GIE/GIEH, PEIE/GIEL.

**Encoding:**

|      |      |      |      |
|------|------|------|------|
| 0000 | 0000 | 0001 | 000s |
|------|------|------|------|

**Description:** Return from interrupt. Stack is popped and Top-of-Stack (TOS) is loaded into the PC. Interrupts are enabled by setting either the high or low-priority Global Interrupt Enable bit. If 's' = 1, the contents of the shadow registers WS, STATUS and BSR are loaded into their corresponding registers W, STATUS and BSR. If 's' = 0, no update of these registers occurs (default).

**Words:** 1

**Cycles:** 2

Q Cycle Activity:

| Q1           | Q2           | Q3           | Q4                                    |
|--------------|--------------|--------------|---------------------------------------|
| Decode       | No operation | No operation | POP PC from stack<br>Set GIEH or GIEL |
| No operation | No operation | No operation | No operation                          |

**Example:** RETFIE 1

After Interrupt

|                     |   |        |
|---------------------|---|--------|
| PC                  | = | TOS    |
| W                   | = | WS     |
| BSR                 | = | BSRS   |
| STATUS              | = | STATUS |
| GIE/GIEH, PEIE/GIEL | = | 1      |

## RETLW Return Literal to W

**Syntax:** RETLW k

**Operands:**  $0 \leq k \leq 255$

**Operation:**  $k \rightarrow$  W,  
 (TOS) → PC,  
 PCLATU, PCLATH are unchanged

**Status Affected:** None

**Encoding:**

|      |      |      |      |
|------|------|------|------|
| 0000 | 1100 | kkkk | kkkk |
|------|------|------|------|

**Description:** W is loaded with the eight-bit literal, 'k'. The Program Counter is loaded from the top of the stack (the return address). The high address latch (PCLATH) remains unchanged.

**Words:** 1

**Cycles:** 2

Q Cycle Activity:

| Q1           | Q2               | Q3           | Q4                            |
|--------------|------------------|--------------|-------------------------------|
| Decode       | Read literal 'k' | Process Data | POP PC from stack, write to W |
| No operation | No operation     | No operation | No operation                  |

**Example:**

```
CALL TABLE ; W contains table
              ; offset value
              ; W now has
              ; table value
:
TABLE
  ADDWF PCL ; W = offset
  RETLW k0 ; Begin table
  RETLW k1 ;
:
:
  RETLW kn ; End of table
```

Before Instruction

W = 07h

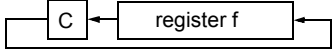
After Instruction

W = value of kn

# PIC18F46J50 FAMILY

| RETURN            | Return from Subroutine  |              |                   |      |      |        |              |              |                   |              |              |              |              |
|-------------------|---|--------------|-------------------|------|------|--------|--------------|--------------|-------------------|--------------|--------------|--------------|--------------|
| Syntax:           | RETURN {s}  |              |                   |      |      |        |              |              |                   |              |              |              |              |
| Operands:         | s ∈ [0,1]   |              |                   |      |      |        |              |              |                   |              |              |              |              |
| Operation:        | (TOS) → PC;<br>if s = 1,<br>(WS) → W,<br>(STATUS) → STATUS,<br>(BSRS) → BSR,<br>PCLATU, PCLATH are unchanged  |              |                   |      |      |        |              |              |                   |              |              |              |              |
| Status Affected:  | None  |              |                   |      |      |        |              |              |                   |              |              |              |              |
| Encoding:         | <table border="1"> <tr> <td>0000</td> <td>0000</td> <td>0001</td> <td>001s</td> </tr> </table>  | 0000         | 0000              | 0001 | 001s |        |              |              |                   |              |              |              |              |
| 0000              | 0000  | 0001         | 001s              |      |      |        |              |              |                   |              |              |              |              |
| Description:      | Return from subroutine. The stack is popped and the top of the stack (TOS) is loaded into the Program Counter. If 's' = 1, the contents of the shadow registers WS, STATUS and BSR are loaded into their corresponding registers W, STATUS and BSR. If 's' = 0, no update of these registers occurs (default).                |              |                   |      |      |        |              |              |                   |              |              |              |              |
| Words:            | 1   |              |                   |      |      |        |              |              |                   |              |              |              |              |
| Cycles:           | 2   |              |                   |      |      |        |              |              |                   |              |              |              |              |
| Q Cycle Activity: | <table border="1"> <thead> <tr> <th>Q1</th> <th>Q2</th> <th>Q3</th> <th>Q4</th> </tr> </thead> <tbody> <tr> <td>Decode</td> <td>No operation</td> <td>Process Data</td> <td>POP PC from stack</td> </tr> <tr> <td>No operation</td> <td>No operation</td> <td>No operation</td> <td>No operation</td> </tr> </tbody> </table> | Q1           | Q2                | Q3   | Q4   | Decode | No operation | Process Data | POP PC from stack | No operation | No operation | No operation | No operation |
| Q1                | Q2  | Q3           | Q4                |      |      |        |              |              |                   |              |              |              |              |
| Decode            | No operation  | Process Data | POP PC from stack |      |      |        |              |              |                   |              |              |              |              |
| No operation      | No operation  | No operation | No operation      |      |      |        |              |              |                   |              |              |              |              |

**Example:** RETURN  
After Instruction:  
PC = TOS

| RLCF              | Rotate Left f through Carry   |              |                      |      |      |        |                   |              |                      |
|-------------------|---|--------------|----------------------|------|------|--------|-------------------|--------------|----------------------|
| Syntax:           | RLCF f {,d {,a}}  |              |                      |      |      |        |                   |              |                      |
| Operands:         | 0 ≤ f ≤ 255<br>d ∈ [0,1]<br>a ∈ [0,1]   |              |                      |      |      |        |                   |              |                      |
| Operation:        | (f<n>) → dest<n + 1>,<br>(f<7>) → C,<br>(C) → dest<0>   |              |                      |      |      |        |                   |              |                      |
| Status Affected:  | C, N, Z   |              |                      |      |      |        |                   |              |                      |
| Encoding:         | <table border="1"> <tr> <td>0011</td> <td>01da</td> <td>ffff</td> <td>ffff</td> </tr> </table>  | 0011         | 01da                 | ffff | ffff |        |                   |              |                      |
| 0011              | 01da  | ffff         | ffff                 |      |      |        |                   |              |                      |
| Description:      | The contents of register, 'f', are rotated one bit to the left through the Carry flag. If 'd' is '0', the result is placed in W. If 'd' is '1', the result is stored back in register, 'f' (default).<br><br>If 'a' is '0', the Access Bank is selected. If 'a' is '1', the BSR is used to select the GPR bank (default).<br><br>If 'a' is '0' and the extended instruction set is enabled, this instruction operates in Indexed Literal Offset Addressing mode whenever f ≤ 95 (5Fh). See <a href="#">Section 28.2.3 "Byte-Oriented and Bit-Oriented Instructions in Indexed Literal Offset Mode"</a> for details. |              |                      |      |      |        |                   |              |                      |
|                   |   |              |                      |      |      |        |                   |              |                      |
| Words:            | 1   |              |                      |      |      |        |                   |              |                      |
| Cycles:           | 1   |              |                      |      |      |        |                   |              |                      |
| Q Cycle Activity: | <table border="1"> <thead> <tr> <th>Q1</th> <th>Q2</th> <th>Q3</th> <th>Q4</th> </tr> </thead> <tbody> <tr> <td>Decode</td> <td>Read register 'f'</td> <td>Process Data</td> <td>Write to destination</td> </tr> </tbody> </table>  | Q1           | Q2                   | Q3   | Q4   | Decode | Read register 'f' | Process Data | Write to destination |
| Q1                | Q2  | Q3           | Q4                   |      |      |        |                   |              |                      |
| Decode            | Read register 'f'   | Process Data | Write to destination |      |      |        |                   |              |                      |

**Example:** RLCF REG, 0, 0

Before Instruction  
REG = 1110 0110  
C = 0

After Instruction  
REG = 1110 0110  
W = 1100 1100  
C = 1

# PIC18F46J50 FAMILY

## RLNCF Rotate Left f (No Carry)

Syntax: RLNCF f{,d{,a}}

Operands:  $0 \leq f \leq 255$   
 $d \in [0,1]$   
 $a \in [0,1]$

Operation:  $(f\langle n \rangle) \rightarrow \text{dest}\langle n + 1 \rangle$ ,  
 $(f\langle 7 \rangle) \rightarrow \text{dest}\langle 0 \rangle$

Status Affected: N, Z

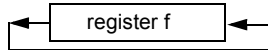
Encoding: 

|      |      |      |      |
|------|------|------|------|
| 0100 | 01da | ffff | ffff |
|------|------|------|------|

Description: The contents of register, 'f', are rotated one bit to the left. If 'd' is '0', the result is placed in W. If 'd' is '1', the result is stored back in register, 'f' (default).

If 'a' is '0', the Access Bank is selected. If 'a' is '1', the BSR is used to select the GPR bank (default).

If 'a' is '0' and the extended instruction set is enabled, this instruction operates in Indexed Literal Offset Addressing mode whenever  $f \leq 95$  (5Fh). See [Section 28.2.3 "Byte-Oriented and Bit-Oriented Instructions in Indexed Literal Offset Mode"](#) for details.



Words: 1

Cycles: 1

Q Cycle Activity:

| Q1     | Q2                | Q3           | Q4                   |
|--------|-------------------|--------------|----------------------|
| Decode | Read register 'f' | Process Data | Write to destination |

**Example:** RLNCF REG, 1, 0

Before Instruction  
 REG = 1010 1011  
 After Instruction  
 REG = 0101 0111

## RRCF Rotate Right f through Carry

Syntax: RRCF f{,d{,a}}

Operands:  $0 \leq f \leq 255$   
 $d \in [0,1]$   
 $a \in [0,1]$

Operation:  $(f\langle n \rangle) \rightarrow \text{dest}\langle n - 1 \rangle$ ,  
 $(f\langle 0 \rangle) \rightarrow C$ ,  
 $(C) \rightarrow \text{dest}\langle 7 \rangle$

Status Affected: C, N, Z

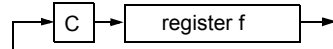
Encoding: 

|      |      |      |      |
|------|------|------|------|
| 0011 | 00da | ffff | ffff |
|------|------|------|------|

Description: The contents of register, 'f', are rotated one bit to the right through the Carry flag. If 'd' is '0', the result is placed in W. If 'd' is '1', the result is placed back in register, 'f' (default).

If 'a' is '0', the Access Bank is selected. If 'a' is '1', the BSR is used to select the GPR bank (default).

If 'a' is '0' and the extended instruction set is enabled, this instruction operates in Indexed Literal Offset Addressing mode whenever  $f \leq 95$  (5Fh). See [Section 28.2.3 "Byte-Oriented and Bit-Oriented Instructions in Indexed Literal Offset Mode"](#) for details.



Words: 1

Cycles: 1

Q Cycle Activity:

| Q1     | Q2                | Q3           | Q4                   |
|--------|-------------------|--------------|----------------------|
| Decode | Read register 'f' | Process Data | Write to destination |

**Example:** RRCF REG, 0, 0

Before Instruction  
 REG = 1110 0110  
 C = 0  
 After Instruction  
 REG = 1110 0110  
 W = 0111 0011  
 C = 0

# PIC18F46J50 FAMILY

**RRNCF**      **Rotate Right f (No Carry)**

---

Syntax:            RRNCF f {,d {,a}}

Operands:         $0 \leq f \leq 255$   
 $d \in [0,1]$   
 $a \in [0,1]$

Operation:         $(f < n >) \rightarrow \text{dest} < n - 1 >$ ,  
 $(f < 0 >) \rightarrow \text{dest} < 7 >$

Status Affected:    N, Z

Encoding:        

|      |      |      |      |
|------|------|------|------|
| 0100 | 00da | ffff | ffff |
|------|------|------|------|

Description:      The contents of register, 'f', are rotated one bit to the right. If 'd' is '0', the result is placed in W. If 'd' is '1', the result is placed back in register, 'f' (default).

                    If 'a' is '0', the Access Bank will be selected, overriding the BSR value. If 'a' is '1', then the bank will be selected as per the BSR value (default).

                    If 'a' is '0' and the extended instruction set is enabled, this instruction operates in Indexed Literal Offset Addressing mode whenever  $f \leq 95$  (5Fh). See [Section 28.2.3 "Byte-Oriented and Bit-Oriented Instructions in Indexed Literal Offset Mode"](#) for details.

Words:            1

Cycles:            1

Q Cycle Activity:

| Q1     | Q2                | Q3           | Q4                   |
|--------|-------------------|--------------|----------------------|
| Decode | Read register 'f' | Process Data | Write to destination |

**Example 1:**            RRNCF REG, 1, 0

Before Instruction  
REG = 1101 0111  
After Instruction  
REG = 1110 1011

**Example 2:**            RRNCF REG, 0, 0

Before Instruction  
W = ?  
REG = 1101 0111  
After Instruction  
W = 1110 1011  
REG = 1101 0111

**SETF**            **Set f**

---

Syntax:            SETF f {,a}

Operands:         $0 \leq f \leq 255$   
 $a \in [0,1]$

Operation:         $\text{FFh} \rightarrow f$

Status Affected:    None

Encoding:        

|      |      |      |      |
|------|------|------|------|
| 0110 | 100a | ffff | ffff |
|------|------|------|------|

Description:      The contents of the specified register are set to FFh.

                    If 'a' is '0', the Access Bank is selected. If 'a' is '1', the BSR is used to select the GPR bank (default).

                    If 'a' is '0' and the extended instruction set is enabled, this instruction operates in Indexed Literal Offset Addressing mode whenever  $f \leq 95$  (5Fh). See [Section 28.2.3 "Byte-Oriented and Bit-Oriented Instructions in Indexed Literal Offset Mode"](#) for details.

Words:            1

Cycles:            1

Q Cycle Activity:

| Q1     | Q2                | Q3           | Q4                 |
|--------|-------------------|--------------|--------------------|
| Decode | Read register 'f' | Process Data | Write register 'f' |

**Example:**            SETF REG, 1

Before Instruction  
REG = 5Ah  
After Instruction  
REG = FFh

# PIC18F46J50 FAMILY

| SLEEP             | Enter Sleep Mode   |              |             |      |      |        |              |              |             |
|-------------------|--|--------------|-------------|------|------|--------|--------------|--------------|-------------|
| Syntax:           | SLEEP  |              |             |      |      |        |              |              |             |
| Operands:         | None   |              |             |      |      |        |              |              |             |
| Operation:        | 00h → WDT,<br>0 → WDT postscaler,<br>1 → $\overline{TO}$ ,<br>0 → PD   |              |             |      |      |        |              |              |             |
| Status Affected:  | $\overline{TO}$ , PD   |              |             |      |      |        |              |              |             |
| Encoding:         | <table border="1" style="display: inline-table;"><tr><td>0000</td><td>0000</td><td>0000</td><td>0011</td></tr></table>   | 0000         | 0000        | 0000 | 0011 |        |              |              |             |
| 0000              | 0000   | 0000         | 0011        |      |      |        |              |              |             |
| Description:      | The Power-Down status bit (PD) is cleared. The Time-out status bit ( $\overline{TO}$ ) is set. The Watchdog Timer and its postscaler are cleared.<br><br>The processor is put into Sleep mode with the oscillator stopped.         |              |             |      |      |        |              |              |             |
| Words:            | 1  |              |             |      |      |        |              |              |             |
| Cycles:           | 1  |              |             |      |      |        |              |              |             |
| Q Cycle Activity: | <table border="1" style="display: inline-table;"><thead><tr><th>Q1</th><th>Q2</th><th>Q3</th><th>Q4</th></tr></thead><tbody><tr><td>Decode</td><td>No operation</td><td>Process Data</td><td>Go to Sleep</td></tr></tbody></table> | Q1           | Q2          | Q3   | Q4   | Decode | No operation | Process Data | Go to Sleep |
| Q1                | Q2   | Q3           | Q4          |      |      |        |              |              |             |
| Decode            | No operation   | Process Data | Go to Sleep |      |      |        |              |              |             |

**Example:** SLEEP

Before Instruction

$\overline{TO}$  = ?

PD = ?

After Instruction

$\overline{TO}$  = 1†

PD = 0

† If WDT causes wake-up, this bit is cleared.

| SUBFWB            | Subtract f from W with Borrow  |              |                      |      |      |        |                   |              |                      |
|-------------------|--|--------------|----------------------|------|------|--------|-------------------|--------------|----------------------|
| Syntax:           | SUBFWB f {,d {,a}}   |              |                      |      |      |        |                   |              |                      |
| Operands:         | $0 \leq f \leq 255$<br>$d \in [0,1]$<br>$a \in [0,1]$  |              |                      |      |      |        |                   |              |                      |
| Operation:        | $(W) - (f) - (\overline{C}) \rightarrow \text{dest}$   |              |                      |      |      |        |                   |              |                      |
| Status Affected:  | N, OV, C, DC, Z  |              |                      |      |      |        |                   |              |                      |
| Encoding:         | <table border="1" style="display: inline-table;"><tr><td>0101</td><td>01da</td><td>ffff</td><td>ffff</td></tr></table>   | 0101         | 01da                 | ffff | ffff |        |                   |              |                      |
| 0101              | 01da   | ffff         | ffff                 |      |      |        |                   |              |                      |
| Description:      | Subtract register, 'f', and Carry flag (borrow) from W (2's complement method). If 'd' is '0', the result is stored in W. If 'd' is '1', the result is stored in register, 'f' (default).<br><br>If 'a' is '0', the Access Bank is selected. If 'a' is '1', the BSR is used to select the GPR bank (default).<br><br>If 'a' is '0' and the extended instruction set is enabled, this instruction operates in Indexed Literal Offset Addressing mode whenever $f \leq 95$ (5Fh). See <a href="#">Section 28.2.3 "Byte-Oriented and Bit-Oriented Instructions in Indexed Literal Offset Mode"</a> for details. |              |                      |      |      |        |                   |              |                      |
| Words:            | 1  |              |                      |      |      |        |                   |              |                      |
| Cycles:           | 1  |              |                      |      |      |        |                   |              |                      |
| Q Cycle Activity: | <table border="1" style="display: inline-table;"><thead><tr><th>Q1</th><th>Q2</th><th>Q3</th><th>Q4</th></tr></thead><tbody><tr><td>Decode</td><td>Read register 'f'</td><td>Process Data</td><td>Write to destination</td></tr></tbody></table>   | Q1           | Q2                   | Q3   | Q4   | Decode | Read register 'f' | Process Data | Write to destination |
| Q1                | Q2   | Q3           | Q4                   |      |      |        |                   |              |                      |
| Decode            | Read register 'f'  | Process Data | Write to destination |      |      |        |                   |              |                      |

Words: 1

Cycles: 1

Q Cycle Activity:

| Q1     | Q2                | Q3           | Q4                   |
|--------|-------------------|--------------|----------------------|
| Decode | Read register 'f' | Process Data | Write to destination |

**Example 1:** SUBFWB REG, 1, 0

Before Instruction

REG = 3

W = 2

C = 1

After Instruction

REG = FF

W = 2

C = 0

Z = 0

N = 1 ; result is negative

**Example 2:** SUBFWB REG, 0, 0

Before Instruction

REG = 2

W = 5

C = 1

After Instruction

REG = 2

W = 3

C = 1

Z = 0

N = 0 ; result is positive

**Example 3:** SUBFWB REG, 1, 0

Before Instruction

REG = 1

W = 2

C = 0

After Instruction

REG = 0

W = 2

C = 1

Z = 1 ; result is zero

N = 0

# PIC18F46J50 FAMILY

**SUBLW**                      **Subtract W from Literal**

---

Syntax:                      SUBLW k

Operands:                     $0 \leq k \leq 255$

Operation:                     $k - (W) \rightarrow W$

Status Affected:            N, OV, C, DC, Z

Encoding:                    

|      |      |      |      |
|------|------|------|------|
| 0000 | 1000 | kkkk | kkkk |
|------|------|------|------|

Description:                W is subtracted from the eight-bit literal 'k'. The result is placed in W.

Words:                        1

Cycles:                        1

Q Cycle Activity:

| Q1     | Q2                  | Q3              | Q4            |
|--------|---------------------|-----------------|---------------|
| Decode | Read<br>literal 'k' | Process<br>Data | Write to<br>W |

**Example 1:**                      SUBLW 0x02

Before Instruction

W = 01h  
C = ?

After Instruction

W = 01h  
C = 1 ; result is positive  
Z = 0  
N = 0

**Example 2:**                      SUBLW 0x02

Before Instruction

W = 02h  
C = ?

After Instruction

W = 00h  
C = 1 ; result is zero  
Z = 1  
N = 0

**Example 3:**                      SUBLW 0x02

Before Instruction

W = 03h  
C = ?

After Instruction

W = FFh ; (2's complement)  
C = 0 ; result is negative  
Z = 0  
N = 1

**SUBWF**                      **Subtract W from f**

---

Syntax:                      SUBWF f {,d {,a}}

Operands:                     $0 \leq f \leq 255$   
 $d \in [0,1]$   
 $a \in [0,1]$

Operation:                     $(f) - (W) \rightarrow \text{dest}$

Status Affected:            N, OV, C, DC, Z

Encoding:                    

|      |      |      |      |
|------|------|------|------|
| 0101 | 11da | ffff | ffff |
|------|------|------|------|

Description:                Subtract W from register, 'f' (2's complement method). If 'd' is '0', the result is stored in W. If 'd' is '1', the result is stored back in register, 'f' (default).

If 'a' is '0', the Access Bank is selected. If 'a' is '1', the BSR is used to select the GPR bank (default).

If 'a' is '0' and the extended instruction set is enabled, this instruction operates in Indexed Literal Offset Addressing mode whenever  $f \leq 95$  (5Fh). See [Section 28.2.3 "Byte-Oriented and Bit-Oriented Instructions in Indexed Literal Offset Mode"](#) for details.

Words:                        1

Cycles:                        1

Q Cycle Activity:

| Q1     | Q2                   | Q3              | Q4                      |
|--------|----------------------|-----------------|-------------------------|
| Decode | Read<br>register 'f' | Process<br>Data | Write to<br>destination |

**Example 1:**                      SUBWF REG, 1, 0

Before Instruction

REG = 3  
W = 2  
C = ?

After Instruction

REG = 1  
W = 2  
C = 1 ; result is positive  
Z = 0  
N = 0

**Example 2:**                      SUBWF REG, 0, 0

Before Instruction

REG = 2  
W = 2  
C = ?

After Instruction

REG = 2  
W = 0  
C = 1 ; result is zero  
Z = 1  
N = 0

**Example 3:**                      SUBWF REG, 1, 0

Before Instruction

REG = 1  
W = 2  
C = ?

After Instruction

REG = FFh ; (2's complement)  
W = 2  
C = 0 ; result is negative  
Z = 0  
N = 1

# PIC18F46J50 FAMILY

## SUBWFB Subtract W from f with Borrow

**Syntax:** SUBWFB f{,d{,a}}

**Operands:**  $0 \leq f \leq 255$   
 $d \in [0,1]$   
 $a \in [0,1]$

**Operation:**  $(f) - (W) - (\overline{C}) \rightarrow \text{dest}$

**Status Affected:** N, OV, C, DC, Z

**Encoding:**

|      |      |      |      |
|------|------|------|------|
| 0101 | 10da | ffff | ffff |
|------|------|------|------|

**Description:** Subtract W and the Carry flag (borrow) from register, 'f' (2's complement method). If 'd' is '0', the result is stored in W. If 'd' is '1', the result is stored back in register, 'f' (default).  
 If 'a' is '0', the Access Bank is selected. If 'a' is '1', the BSR is used to select the GPR bank (default).  
 If 'a' is '0' and the extended instruction set is enabled, this instruction operates in Indexed Literal Offset Addressing mode whenever  $f \leq 95$  (5Fh). See [Section 28.2.3 "Byte-Oriented and Bit-Oriented Instructions in Indexed Literal Offset Mode"](#) for details.

**Words:** 1  
**Cycles:** 1  
**Q Cycle Activity:**

|        | Q1 | Q2                | Q3           | Q4                   |
|--------|----|-------------------|--------------|----------------------|
| Decode |    | Read register 'f' | Process Data | Write to destination |

**Example 1:** SUBWFB REG, 1, 0

**Before Instruction**  
 REG = 19h (0001 1001)  
 W = 0Dh (0000 1101)  
 C = 1

**After Instruction**  
 REG = 0Ch (0000 1011)  
 W = 0Dh (0000 1101)  
 C = 1  
 Z = 0  
 N = 0 ; result is positive

**Example 2:** SUBWFB REG, 0, 0

**Before Instruction**  
 REG = 1Bh (0001 1011)  
 W = 1Ah (0001 1010)  
 C = 0

**After Instruction**  
 REG = 1Bh (0001 1011)  
 W = 00h  
 C = 1  
 Z = 1 ; result is zero  
 N = 0

**Example 3:** SUBWFB REG, 1, 0

**Before Instruction**  
 REG = 03h (0000 0011)  
 W = 0Eh (0000 1101)  
 C = 1

**After Instruction**  
 REG = F5h (1111 0100)  
 ; [2's comp]  
 W = 0Eh (0000 1101)  
 C = 0  
 Z = 0  
 N = 1 ; result is negative

## SWAPF Swap f

**Syntax:** SWAPF f{,d{,a}}

**Operands:**  $0 \leq f \leq 255$   
 $d \in [0,1]$   
 $a \in [0,1]$

**Operation:**  $(f<3:0>) \rightarrow \text{dest}<7:4>$ ,  
 $(f<7:4>) \rightarrow \text{dest}<3:0>$

**Status Affected:** None

**Encoding:**

|      |      |      |      |
|------|------|------|------|
| 0011 | 10da | ffff | ffff |
|------|------|------|------|

**Description:** The upper and lower nibbles of register, 'f', are exchanged. If 'd' is '0', the result is placed in W. If 'd' is '1', the result is placed in register, 'f' (default).  
 If 'a' is '0', the Access Bank is selected. If 'a' is '1', the BSR is used to select the GPR bank (default).  
 If 'a' is '0' and the extended instruction set is enabled, this instruction operates in Indexed Literal Offset Addressing mode whenever  $f \leq 95$  (5Fh). See [Section 28.2.3 "Byte-Oriented and Bit-Oriented Instructions in Indexed Literal Offset Mode"](#) for details.

**Words:** 1  
**Cycles:** 1  
**Q Cycle Activity:**

|        | Q1 | Q2                | Q3           | Q4                   |
|--------|----|-------------------|--------------|----------------------|
| Decode |    | Read register 'f' | Process Data | Write to destination |

**Example:** SWAPF REG, 1, 0

**Before Instruction**  
 REG = 53h

**After Instruction**  
 REG = 35h



# PIC18F46J50 FAMILY

**TBLRD**      **Table Read**

---

Syntax:      TBLRD (\*; \*+; \*-; +\*)

Operands:    None

Operation:    if TBLRD \*,  
 (Prog Mem (TBLPTR)) → TABLAT,  
 TBLPTR – No Change;  
 if TBLRD \*+,  
 (Prog Mem (TBLPTR)) → TABLAT,  
 (TBLPTR) + 1 → TBLPTR;  
 if TBLRD \*-,  
 (Prog Mem (TBLPTR)) → TABLAT,  
 (TBLPTR) – 1 → TBLPTR;  
 if TBLRD +\*,  
 (TBLPTR) + 1 → TBLPTR,  
 (Prog Mem (TBLPTR)) → TABLAT

Status Affected: None

Encoding:

|      |      |      |   |
|------|------|------|---|
| 0000 | 0000 | 0000 | 10nn<br>nn=0 *<br>=1 *+<br>=2 *-<br>=3 +* |
|------|------|------|---|

Description: This instruction is used to read the contents of Program Memory (P.M.). To address the program memory, a pointer called Table Pointer (TBLPTR) is used.

The TBLPTR (a 21-bit pointer) points to each byte in the program memory. TBLPTR has a 2-Mbyte address range.

TBLPTR<0> = 0: Least Significant Byte of Program Memory Word

TBLPTR<0> = 1: Most Significant Byte of Program Memory Word

The TBLRD instruction can modify the value of TBLPTR as follows:

- no change
- post-increment
- post-decrement
- pre-increment

Words: 1

Cycles: 2

Q Cycle Activity:

|              | Q1                                 | Q2           | Q3           | Q4                          |
|--------------|------------------------------------|--------------|--------------|-----------------------------|
| Decode       | No operation                       | No operation | No operation | No operation                |
| No operation | No operation (Read Program Memory) | No operation | No operation | No operation (Write TABLAT) |

**TBLRD**      **Table Read (Continued)**

---

Example 1:      TBLRD \*+

Before Instruction

|                 |   |         |
|-----------------|---|---------|
| TABLAT          | = | 55h     |
| TBLPTR          | = | 00A356h |
| MEMORY(00A356h) | = | 34h     |

After Instruction

|        |   |         |
|--------|---|---------|
| TABLAT | = | 34h     |
| TBLPTR | = | 00A357h |

Example 2:      TBLRD \*-

Before Instruction

|                 |   |         |
|-----------------|---|---------|
| TABLAT          | = | AAh     |
| TBLPTR          | = | 01A357h |
| MEMORY(01A357h) | = | 12h     |
| MEMORY(01A358h) | = | 34h     |

After Instruction

|        |   |         |
|--------|---|---------|
| TABLAT | = | 34h     |
| TBLPTR | = | 01A358h |

# PIC18F46J50 FAMILY

## TBLWT Table Write

**Syntax:** TBLWT (\*, \*\*; \*-, \*\*)

**Operands:** None

**Operation:** if TBLWT\*,  
(TABLAT) → Holding Register,  
TBLPTR – No Change;  
if TBLWT\*+,  
(TABLAT) → Holding Register,  
(TBLPTR) + 1 → TBLPTR;  
if TBLWT\*-,  
(TABLAT) → Holding Register,  
(TBLPTR) – 1 → TBLPTR;  
if TBLWT\*+\*,  
(TBLPTR) + 1 → TBLPTR,  
(TABLAT) → Holding Register

**Status Affected:** None

**Encoding:**

|      |      |      |   |
|------|------|------|---|
| 0000 | 0000 | 0000 | 11nn<br>nn=0 *<br>=1 **<br>=2 *-<br>=3 +* |
|------|------|------|---|

**Description:** This instruction uses the 3 LSBs of TBLPTR to determine which of the 8 holding registers the TABLAT is written to. The holding registers are used to program the contents of Program Memory (P.M.). (Refer to [Section 6.0 "Memory Organization"](#) for additional details on programming Flash memory.)

The TBLPTR (a 21-bit pointer) points to each byte in the program memory. TBLPTR has a 2-Mbyte address range. The LSb of the TBLPTR selects which byte of the program memory location to access.

TBLPTR<0> = 0: Least Significant Byte of Program Memory Word  
TBLPTR<0> = 1: Most Significant Byte of Program Memory Word

The TBLWT instruction can modify the value of TBLPTR as follows:

- no change
- post-increment
- post-decrement
- pre-increment

**Words:** 1  
**Cycles:** 2  
**Q Cycle Activity:**

|           | Q1           | Q2                         | Q3           | Q4                                       |
|-----------|--------------|----------------------------|--------------|--|
| Decode    | No operation | No operation               | No operation | No operation                             |
| operation | No operation | No operation (Read TABLAT) | No operation | No operation (Write to Holding Register) |

## TBLWT Table Write (Continued)

**Example 1:** TBLWT \*\*

Before Instruction  
TABLAT = 55h  
TBLPTR = 00A356h  
HOLDING REGISTER (00A356h) = FFh

After Instructions (table write completion)  
TABLAT = 55h  
TBLPTR = 00A357h  
HOLDING REGISTER (00A356h) = 55h

**Example 2:** TBLWT +\*

Before Instruction  
TABLAT = 34h  
TBLPTR = 01389Ah  
HOLDING REGISTER (01389Ah) = FFh  
HOLDING REGISTER (01389Bh) = FFh

After Instruction (table write completion)  
TABLAT = 34h  
TBLPTR = 01389Bh  
HOLDING REGISTER (01389Ah) = FFh  
HOLDING REGISTER (01389Bh) = 34h

# PIC18F46J50 FAMILY

**TSTFSZ**      **Test f, Skip if 0**

---

Syntax:            TSTFSZ f {,a}

Operands:         $0 \leq f \leq 255$   
 $a \in [0,1]$

Operation:        skip if  $f = 0$

Status Affected:    None

Encoding:        

|      |      |      |      |
|------|------|------|------|
| 0110 | 011a | ffff | ffff |
|------|------|------|------|

Description:      If 'f' = 0, the next instruction fetched during the current instruction execution is discarded and a NOP is executed, making this a two-cycle instruction.

                    If 'a' is '0', the Access Bank is selected. If 'a' is '1', the BSR is used to select the GPR bank (default).

                    If 'a' is '0' and the extended instruction set is enabled, this instruction operates in Indexed Literal Offset Addressing mode whenever  $f \leq 95$  (5Fh). See [Section 28.2.3 "Byte-Oriented and Bit-Oriented Instructions in Indexed Literal Offset Mode"](#) for details.

Words:            1

Cycles:            1(2)  
**Note:** 3 cycles if skip and followed by a 2-word instruction.

Q Cycle Activity:

| Q1     | Q2                | Q3           | Q4           |
|--------|-------------------|--------------|--------------|
| Decode | Read register 'f' | Process Data | No operation |

If skip:

| Q1           | Q2           | Q3           | Q4           |
|--------------|--------------|--------------|--------------|
| No operation | No operation | No operation | No operation |

If skip and followed by 2-word instruction:

| Q1           | Q2           | Q3           | Q4           |
|--------------|--------------|--------------|--------------|
| No operation | No operation | No operation | No operation |
| No operation | No operation | No operation | No operation |

**Example:**

```

HERE    TSTFSZ  CNT, 1
NZERO   :
ZERO    :
```

Before Instruction  
PC = Address (HERE)

After Instruction  
If CNT = 00h,  
PC = Address (ZERO)  
If CNT  $\neq$  00h,  
PC = Address (NZERO)

**XORLW**            **Exclusive OR Literal with W**

---

Syntax:            XORLW k

Operands:         $0 \leq k \leq 255$

Operation:        (W) .XOR. k  $\rightarrow$  W

Status Affected:    N, Z

Encoding:        

|      |      |      |      |
|------|------|------|------|
| 0000 | 1010 | kkkk | kkkk |
|------|------|------|------|

Description:      The contents of W are XORed with the 8-bit literal, 'k'. The result is placed in W.

Words:            1

Cycles:            1

Q Cycle Activity:

| Q1     | Q2               | Q3           | Q4         |
|--------|------------------|--------------|------------|
| Decode | Read literal 'k' | Process Data | Write to W |

**Example:**            XORLW    0xAF

Before Instruction  
W = B5h

After Instruction  
W = 1Ah

# PIC18F46J50 FAMILY

---

## XORWF Exclusive OR W with f

---

Syntax: XORWF f {,d {,a}}

Operands:  $0 \leq f \leq 255$   
 $d \in [0,1]$   
 $a \in [0,1]$

Operation: (W) .XOR. (f) → dest

Status Affected: N, Z

Encoding: 

|      |      |      |      |
|------|------|------|------|
| 0001 | 10da | ffff | ffff |
|------|------|------|------|

Description: Exclusive OR the contents of W with register, 'f'. If 'd' is '0', the result is stored in W. If 'd' is '1', the result is stored back in the register 'f' (default).  
If 'a' is '0', the Access Bank is selected. If 'a' is '1', the BSR is used to select the GPR bank (default).  
If 'a' is '0' and the extended instruction set is enabled, this instruction operates in Indexed Literal Offset Addressing mode whenever  $f \leq 95$  (5Fh). See [Section 28.2.3 "Byte-Oriented and Bit-Oriented Instructions in Indexed Literal Offset Mode"](#) for details.

Words: 1

Cycles: 1

Q Cycle Activity:

| Q1     | Q2                | Q3           | Q4                   |
|--------|-------------------|--------------|----------------------|
| Decode | Read register 'f' | Process Data | Write to destination |

Example: XORWF REG, 1, 0

Before Instruction

REG = AFh  
W = B5h

After Instruction

REG = 1Ah  
W = B5h

## 28.2 Extended Instruction Set

In addition to the standard 75 instructions of the PIC18 instruction set, the PIC18F46J50 family of devices also provide an optional extension to the core CPU functionality. The added features include eight additional instructions that augment Indirect and Indexed Addressing operations and the implementation of Indexed Literal Offset Addressing for many of the standard PIC18 instructions.

The additional features of the extended instruction set are enabled by default on unprogrammed devices. Users must properly set or clear the XINST Configuration bit during programming to enable or disable these features.

The instructions in the extended set can all be classified as literal operations, which either manipulate the File Select Registers (FSR), or use them for Indexed Addressing. Two of the instructions, `ADDFSR` and `SUBFSR`, each have an additional special instantiation for using FSR2. These versions (`ADDULNK` and `SUBULNK`) allow for automatic return after execution.

The extended instructions are specifically implemented to optimize re-entrant program code (that is, code that is recursive or that uses a software stack) written in high-level languages, particularly C. Among other things, they allow users working in high-level languages to perform certain operations on data structures more efficiently. These include:

- Dynamic allocation and deallocation of software stack space when entering and leaving subroutines
- Function Pointer invocation
- Software Stack Pointer manipulation
- Manipulation of variables located in a software stack

A summary of the instructions in the extended instruction set is provided in [Table 28-3](#). Detailed descriptions are provided in [Section 28.2.2 “Extended Instruction Set”](#). The opcode field descriptions in [Table 28-1](#) (page 436) apply to both the standard and extended PIC18 instruction sets.

**Note:** The instruction set extension and the Indexed Literal Offset Addressing mode were designed for optimizing applications written in C; the user may likely never use these instructions directly in assembler. The syntax for these commands is provided as a reference for users who may be reviewing code that has been generated by a compiler.

### 28.2.1 EXTENDED INSTRUCTION SYNTAX

Most of the extended instructions use indexed arguments, using one of the FSRs and some offset to specify a source or destination register. When an argument for an instruction serves as part of Indexed Addressing, it is enclosed in square brackets (“[ ]”). This is done to indicate that the argument is used as an index or offset. The MPASM™ Assembler will flag an error if it determines that an index or offset value is not bracketed.

When the extended instruction set is enabled, brackets are also used to indicate index arguments in byte-oriented and bit-oriented instructions. This is in addition to other changes in their syntax. For more details, see [Section 28.2.3.1 “Extended Instruction Syntax with Standard PIC18 Commands”](#).

**Note:** In the past, square brackets have been used to denote optional arguments in the PIC18 and earlier instruction sets. In this text and going forward, optional arguments are denoted by braces (“{ }”).

**TABLE 28-3: EXTENSIONS TO THE PIC18 INSTRUCTION SET**

| Mnemonic,<br>Operands                              | Description   | Cycles | 16-Bit Instruction Word |      |      |      | Status<br>Affected |
|--|---|--------|-------------------------|------|------|------|--------------------|
|  |   |        | MSb                     |      | LSb  |      |                    |
| <code>ADDFSR</code> f, k                           | Add Literal to FSR  | 1      | 1110                    | 1000 | ffkk | kkkk | None               |
| <code>ADDULNK</code> k                             | Add Literal to FSR2 and Return  | 2      | 1110                    | 1000 | 11kk | kkkk | None               |
| <code>CALLW</code>                                 | Call Subroutine using WREG  | 2      | 0000                    | 0000 | 0001 | 0100 | None               |
| <code>MOVSF</code> z <sub>s</sub> , f <sub>d</sub> | Move z <sub>s</sub> (source) to 1st word<br>f <sub>d</sub> (destination) 2nd word | 2      | 1110                    | 1011 | 0zzz | zzzz | None               |
| <code>MOVSS</code> z <sub>s</sub> , z <sub>d</sub> | Move z <sub>s</sub> (source) to 1st word<br>z <sub>d</sub> (destination) 2nd word | 2      | 1110                    | 1011 | 1zzz | zzzz | None               |
| <code>PUSHL</code> k                               | Store Literal at FSR2,<br>Decrement FSR2  | 1      | 1110                    | 1010 | kkkk | kkkk | None               |
| <code>SUBFSR</code> f, k                           | Subtract Literal from FSR   | 1      | 1110                    | 1001 | ffkk | kkkk | None               |
| <code>SUBULNK</code> k                             | Subtract Literal from FSR2 and<br>Return  | 2      | 1110                    | 1001 | 11kk | kkkk | None               |

# PIC18F46J50 FAMILY

## 28.2.2 EXTENDED INSTRUCTION SET

### ADDFSR Add Literal to FSR

Syntax: ADDFSR f, k  
 Operands:  $0 \leq k \leq 63$   
 $f \in [0, 1, 2]$   
 Operation:  $FSR(f) + k \rightarrow FSR(f)$   
 Status Affected: None  
 Encoding: 

|      |      |      |      |
|------|------|------|------|
| 1110 | 1000 | ffkk | kkkk |
|------|------|------|------|

  
 Description: The 6-bit literal, 'k', is added to the contents of the FSR specified by 'f'.  
 Words: 1  
 Cycles: 1  
 Q Cycle Activity:

| Q1     | Q2               | Q3           | Q4           |
|--------|------------------|--------------|--------------|
| Decode | Read literal 'k' | Process Data | Write to FSR |

**Example:** ADDFSR 2, 0x23

Before Instruction  
 FSR2 = 03FFh  
 After Instruction  
 FSR2 = 0422h

### ADDLNLK Add Literal to FSR2 and Return

Syntax: ADDLNLK k  
 Operands:  $0 \leq k \leq 63$   
 Operation:  $FSR2 + k \rightarrow FSR2$ ,  
 (TOS)  $\rightarrow$  PC  
 Status Affected: None  
 Encoding: 

|      |      |      |      |
|------|------|------|------|
| 1110 | 1000 | 11kk | kkkk |
|------|------|------|------|

  
 Description: The 6-bit literal, 'k', is added to the contents of FSR2. A RETURN is then executed by loading the PC with the TOS.

The instruction takes two cycles to execute; a NOP is performed during the second cycle.

This may be thought of as a special case of the ADDFSR instruction, where  $f = 3$  (binary '11'); it operates only on FSR2.

Words: 1  
 Cycles: 2

Q Cycle Activity:

| Q1           | Q2               | Q3           | Q4           |
|--------------|------------------|--------------|--------------|
| Decode       | Read literal 'k' | Process Data | Write to FSR |
| No Operation | No Operation     | No Operation | No Operation |

**Example:** ADDLNLK 0x23

Before Instruction  
 FSR2 = 03FFh  
 PC = 0100h  
 After Instruction  
 FSR2 = 0422h  
 PC = (TOS)

**Note:** All PIC18 instructions may take an optional label argument preceding the instruction mnemonic for use in symbolic addressing. If a label is used, the instruction format then becomes: {label} instruction argument(s).

# PIC18F46J50 FAMILY

## CALLW Subroutine Call using WREG

**Syntax:** CALLW

**Operands:** None

**Operation:** (PC + 2) → TOS,  
(W) → PCL,  
(PCLATH) → PCH,  
(PCLATU) → PCU

**Status Affected:** None

**Encoding:**

|      |      |      |      |
|------|------|------|------|
| 0000 | 0000 | 0001 | 0100 |
|------|------|------|------|

**Description** First, the return address (PC + 2) is pushed onto the return stack. Next, the contents of W are written to PCL; the existing value is discarded. Then, the contents of PCLATH and PCLATU are latched into PCH and PCU, respectively. The second cycle is executed as a NOP instruction while the new next instruction is fetched.

Unlike CALL, there is no option to update W, STATUS or BSR.

**Words:** 1

**Cycles:** 2

Q Cycle Activity:

| Q1           | Q2           | Q3               | Q4           |
|--------------|--------------|------------------|--------------|
| Decode       | Read WREG    | Push PC to stack | No operation |
| No operation | No operation | No operation     | No operation |

**Example:**           HERE       CALLW

Before Instruction

PC       =   address (HERE)  
PCLATH = 10h  
PCLATU = 00h  
W       = 06h

After Instruction

PC       = 001006h  
TOS     = address (HERE + 2)  
PCLATH = 10h  
PCLATU = 00h  
W       = 06h

## MOVSF Move Indexed to f

**Syntax:** MOVSF [z<sub>s</sub>], f<sub>d</sub>

**Operands:** 0 ≤ z<sub>s</sub> ≤ 127  
0 ≤ f<sub>d</sub> ≤ 4095

**Operation:** ((FSR2) + z<sub>s</sub>) → f<sub>d</sub>

**Status Affected:** None

**Encoding:**

|                    |      |      |      |                   |
|--------------------|------|------|------|-------------------|
| 1st word (source)  | 1110 | 1011 | 0zzz | zzzz <sub>s</sub> |
| 2nd word (destin.) | 1111 | ffff | ffff | ffff <sub>d</sub> |

**Description:** The contents of the source register are moved to destination register, 'f<sub>d</sub>'. The actual address of the source register is determined by adding the 7-bit literal offset 'z<sub>s</sub>' in the first word, to the value of FSR2. The address of the destination register is specified by the 12-bit literal 'f<sub>d</sub>' in the second word. Both addresses can be anywhere in the 4096-byte data space (000h to FFFh).

The MOVSF instruction cannot use the PCL, TOSU, TOSH or TOSL as the destination register.

If the resultant source address points to an Indirect Addressing register, the value returned will be 00h.

**Words:** 2

**Cycles:** 2

Q Cycle Activity:

| Q1     | Q2                            | Q3                    | Q4                        |
|--------|-------------------------------|-----------------------|---------------------------|
| Decode | Determine source addr         | Determine source addr | Read source reg           |
| Decode | No operation<br>No dummy read | No operation          | Write register 'f' (dest) |

**Example:**           MOVSF   [0x05], REG2

Before Instruction

FSR2       = 80h  
Contents of 85h = 33h  
REG2       = 11h

After Instruction

FSR2       = 80h  
Contents of 85h = 33h  
REG2       = 33h

# PIC18F46J50 FAMILY

## MOVSS Move Indexed to Indexed

**Syntax:** MOVSS [z<sub>s</sub>], [z<sub>d</sub>]

**Operands:** 0 ≤ z<sub>s</sub> ≤ 127  
0 ≤ z<sub>d</sub> ≤ 127

**Operation:** ((FSR2) + z<sub>s</sub>) → ((FSR2) + z<sub>d</sub>)

**Status Affected:** None

**Encoding:**

|      |      |      |                   |
|------|------|------|-------------------|
| 1110 | 1011 | 1zzz | zzzz <sub>s</sub> |
| 1111 | xxxx | xzzz | zzzz <sub>d</sub> |

**1st word (source)**  
**2nd word (dest.)**

**Description**

The contents of the source register are moved to the destination register. The addresses of the source and destination registers are determined by adding the 7-bit literal offsets, 'z<sub>s</sub>' or 'z<sub>d</sub>', respectively, to the value of FSR2. Both registers can be located anywhere in the 4096-byte data memory space (000h to FFFh).

The MOVSS instruction cannot use the PCL, TOSU, TOSH or TOSL as the destination register.

If the resultant source address points to an Indirect Addressing register, the value returned will be 00h. If the resultant destination address points to an Indirect Addressing register, the instruction will execute as a NOP.

**Words:** 2  
**Cycles:** 2  
**Q Cycle Activity:**

| Q1     | Q2                    | Q3                    | Q4                |
|--------|-----------------------|-----------------------|-------------------|
| Decode | Determine source addr | Determine source addr | Read source reg   |
| Decode | Determine dest addr   | Determine dest addr   | Write to dest reg |

**Example:** MOVSS [0x05], [0x06]

**Before Instruction**

FSR2 = 80h  
 Contents of 85h = 33h  
 Contents of 86h = 11h

**After Instruction**

FSR2 = 80h  
 Contents of 85h = 33h  
 Contents of 86h = 33h

## PUSHL Store Literal at FSR2, Decrement FSR2

**Syntax:** PUSHL k

**Operands:** 0 ≤ k ≤ 255

**Operation:** k → (FSR2),  
FSR2 - 1 → FSR2

**Status Affected:** None

**Encoding:**

|      |      |      |      |
|------|------|------|------|
| 1110 | 1010 | kkkk | kkkk |
|------|------|------|------|

**Description:** The 8-bit literal, 'k', is written to the data memory address specified by FSR2. FSR2 is decremented by 1 after the operation.

This instruction allows users to push values onto a software stack.

**Words:** 1  
**Cycles:** 1  
**Q Cycle Activity:**

| Q1     | Q2       | Q3           | Q4                   |
|--------|----------|--------------|----------------------|
| Decode | Read 'k' | Process data | Write to destination |

**Example:** PUSHL 0x08

**Before Instruction**

FSR2H:FSR2L = 01ECh  
 Memory (01ECh) = 00h

**After Instruction**

FSR2H:FSR2L = 01EBh  
 Memory (01ECh) = 08h



# PIC18F46J50 FAMILY

## **SUBFSR**      **Subtract Literal from FSR**

Syntax:            SUBFSR f, k  
 Operands:         $0 \leq k \leq 63$   
                      $f \in [0, 1, 2]$   
 Operation:       FSRf – k → FSRf  
 Status Affected: None  
 Encoding:        

|      |      |      |      |
|------|------|------|------|
| 1110 | 1001 | ffkk | kkkk |
|------|------|------|------|

  
 Description:     The 6-bit literal, 'k', is subtracted from the contents of the FSR specified by 'f'.  
 Words:            1  
 Cycles:           1  
 Q Cycle Activity:

| Q1     | Q2                | Q3           | Q4                   |
|--------|-------------------|--------------|----------------------|
| Decode | Read register 'f' | Process Data | Write to destination |

Example:            SUBFSR 2, 0x23

Before Instruction  
     FSR2 = 03FFh  
 After Instruction  
     FSR2 = 03DCh

## **SUBULNK**      **Subtract Literal from FSR2 and Return**

Syntax:            SUBULNK k  
 Operands:         $0 \leq k \leq 63$   
 Operation:       FSR2 – k → FSR2,  
                     (TOS) → PC  
 Status Affected: None  
 Encoding:        

|      |      |      |      |
|------|------|------|------|
| 1110 | 1001 | 11kk | kkkk |
|------|------|------|------|

  
 Description:     The 6-bit literal, 'k', is subtracted from the contents of the FSR2. A RETURN is then executed by loading the PC with the TOS.  
                     The instruction takes two cycles to execute; a NOP is performed during the second cycle.  
                     This may be thought of as a special case of the SUBFSR instruction, where f = 3 (binary '11'); it operates only on FSR2.

Words:            1  
 Cycles:           2  
 Q Cycle Activity:

| Q1           | Q2                | Q3           | Q4                   |
|--------------|-------------------|--------------|----------------------|
| Decode       | Read register 'f' | Process Data | Write to destination |
| No Operation | No Operation      | No Operation | No Operation         |

Example:            SUBULNK 0x23

Before Instruction  
     FSR2 = 03FFh  
     PC = 0100h  
 After Instruction  
     FSR2 = 03DCh  
     PC = (TOS)

# PIC18F46J50 FAMILY

---

## 28.2.3 BYTE-ORIENTED AND BIT-ORIENTED INSTRUCTIONS IN INDEXED LITERAL OFFSET MODE

**Note:** Enabling the PIC18 instruction set extension may cause legacy applications to behave erratically or fail entirely

In addition to eight new commands in the extended set, enabling the extended instruction set also enables Indexed Literal Offset Addressing ([Section 6.6.1 “Indexed Addressing with Literal Offset”](#)). This has a significant impact on the way that many commands of the standard PIC18 instruction set are interpreted.

When the extended set is disabled, addresses embedded in opcodes are treated as literal memory locations: either as a location in the Access Bank ( $a = 0$ ) or in a GPR bank designated by the BSR ( $a = 1$ ). When the extended instruction set is enabled and  $a = 0$ , however, a file register argument of 5Fh or less is interpreted as an offset from the pointer value in FSR2 and not as a literal address. For practical purposes, this means that all instructions that use the Access RAM bit as an argument – that is, all byte-oriented and bit-oriented instructions, or almost half of the core PIC18 instructions – may behave differently when the extended instruction set is enabled.

When the content of FSR2 is 00h, the boundaries of the Access RAM are essentially remapped to their original values. This may be useful in creating backward-compatible code. If this technique is used, it may be necessary to save the value of FSR2 and restore it when moving back and forth between C and assembly routines in order to preserve the Stack Pointer. Users must also keep in mind the syntax requirements of the extended instruction set (see [Section 28.2.3.1 “Extended Instruction Syntax with Standard PIC18 Commands”](#)).

Although the Indexed Literal Offset mode can be very useful for dynamic stack and pointer manipulation, it can also be very annoying if a simple arithmetic operation is carried out on the wrong register. Users who are accustomed to the PIC18 programming must keep in mind that, when the extended instruction set is enabled, register addresses of 5Fh or less are used for Indexed Literal Offset Addressing.

Representative examples of typical byte-oriented and bit-oriented instructions in the Indexed Literal Offset mode are provided on the following page to show how execution is affected. The operand conditions provided in the examples are applicable to all instructions of these types.

### 28.2.3.1 Extended Instruction Syntax with Standard PIC18 Commands

When the extended instruction set is enabled, the file register argument ‘f’ in the standard byte-oriented and bit-oriented commands is replaced with the literal offset value ‘k’. As already noted, this occurs only when ‘f’ is less than or equal to 5Fh. When an offset value is used, it must be indicated by square brackets (“[ ]”). As with the extended instructions, the use of brackets indicates to the compiler that the value is to be interpreted as an index or an offset. Omitting the brackets, or using a value greater than 5Fh within the brackets, will generate an error in the MPASM Assembler.

If the index argument is properly bracketed for Indexed Literal Offset Addressing, the Access RAM argument is never specified; it will automatically be assumed to be ‘0’. This is in contrast to standard operation (extended instruction set disabled) when ‘a’ is set on the basis of the target address. Declaring the Access RAM bit in this mode will also generate an error in the MPASM Assembler.

The destination argument ‘d’ functions as before.

In the latest versions of the MPASM Assembler, language support for the extended instruction set must be explicitly invoked. This is done with either the command line option, `/y`, or the PE directive in the source listing.

## 28.2.4 CONSIDERATIONS WHEN ENABLING THE EXTENDED INSTRUCTION SET

It is important to note that the extensions to the instruction set may not be beneficial to all users. In particular, users who are not writing code that uses a software stack may not benefit from using the extensions to the instruction set.

Additionally, the Indexed Literal Offset Addressing mode may create issues with legacy applications written to the PIC18 assembler. This is because instructions in the legacy code may attempt to address registers in the Access Bank below 5Fh. Since these addresses are interpreted as literal offsets to FSR2 when the instruction set extension is enabled, the application may read or write to the wrong data addresses.

When porting an application to the PIC18F46J50 family, it is very important to consider the type of code. A large, re-entrant application that is written in C, and would benefit from efficient compilation, will do well when using the instruction set extensions. Legacy applications that heavily use the Access Bank will most likely not benefit from using the extended instruction set.

# PIC18F46J50 FAMILY

**ADDWF**      **ADD W to Indexed  
(Indexed Literal Offset mode)**

---

Syntax:            ADDWF    [k] {,d}

Operands:         $0 \leq k \leq 95$   
 $d \in [0,1]$

Operation:         $(W) + ((FSR2) + k) \rightarrow dest$

Status Affected:    N, OV, C, DC, Z

Encoding:        

|      |      |      |      |
|------|------|------|------|
| 0010 | 01d0 | kkkk | kkkk |
|------|------|------|------|

Description:      The contents of W are added to the contents of the register indicated by FSR2, offset by the value, 'k'.  
  
 If 'd' is '0', the result is stored in W. If 'd' is '1', the result is stored back in register 'f' (default).

Words:            1

Cycles:           1

Q Cycle Activity:

| Q1     | Q2       | Q3           | Q4                   |
|--------|----------|--------------|----------------------|
| Decode | Read 'k' | Process Data | Write to destination |

**Example:**            ADDWF    [OFST] , 0

Before Instruction

|                   |   |       |
|-------------------|---|-------|
| W                 | = | 17h   |
| OFST              | = | 2Ch   |
| FSR2              | = | 0A00h |
| Contents of 0A2Ch | = | 20h   |

After Instruction

|                   |   |     |
|-------------------|---|-----|
| W                 | = | 37h |
| Contents of 0A2Ch | = | 20h |

**BSF**            **Bit Set Indexed  
(Indexed Literal Offset mode)**

---

Syntax:            BSF    [k], b

Operands:         $0 \leq f \leq 95$   
 $0 \leq b \leq 7$

Operation:         $1 \rightarrow ((FSR2) + k) <b>$

Status Affected:    None

Encoding:        

|      |      |      |      |
|------|------|------|------|
| 1000 | bbb0 | kkkk | kkkk |
|------|------|------|------|

Description:      Bit 'b' of the register indicated by FSR2, offset by the value, 'k', is set.

Words:            1

Cycles:           1

Q Cycle Activity:

| Q1     | Q2                | Q3           | Q4                   |
|--------|-------------------|--------------|----------------------|
| Decode | Read register 'f' | Process Data | Write to destination |

**Example:**            BSF      [FLAG\_OFST] , 7

Before Instruction

|                   |   |       |
|-------------------|---|-------|
| FLAG_OFST         | = | 0Ah   |
| FSR2              | = | 0A00h |
| Contents of 0A0Ah | = | 55h   |

After Instruction

|                   |   |     |
|-------------------|---|-----|
| Contents of 0A0Ah | = | D5h |
|-------------------|---|-----|

**SETF**            **Set Indexed  
(Indexed Literal Offset mode)**

---

Syntax:            SETF   [k]

Operands:         $0 \leq k \leq 95$

Operation:         $FFh \rightarrow ((FSR2) + k)$

Status Affected:    None

Encoding:        

|      |      |      |      |
|------|------|------|------|
| 0110 | 1000 | kkkk | kkkk |
|------|------|------|------|

Description:      The contents of the register indicated by FSR2, offset by, 'k', are set to FFh.

Words:            1

Cycles:           1

Q Cycle Activity:

| Q1     | Q2       | Q3           | Q4             |
|--------|----------|--------------|----------------|
| Decode | Read 'k' | Process Data | Write register |

**Example:**            SETF    [OFST]

Before Instruction

|                   |   |       |
|-------------------|---|-------|
| OFST              | = | 2Ch   |
| FSR2              | = | 0A00h |
| Contents of 0A2Ch | = | 00h   |

After Instruction

|                   |   |     |
|-------------------|---|-----|
| Contents of 0A2Ch | = | FFh |
|-------------------|---|-----|

# PIC18F46J50 FAMILY

---

## 28.2.5 SPECIAL CONSIDERATIONS WITH MICROCHIP MPLAB® IDE TOOLS

The latest versions of Microchip's software tools have been designed to fully support the extended instruction set for the PIC18F46J50 family. This includes the MPLAB C18 C Compiler, MPASM assembly language and MPLAB Integrated Development Environment (IDE).

When selecting a target device for software development, MPLAB IDE will automatically set default Configuration bits for that device. The default setting for the XINST Configuration bit is '1', enabling the extended instruction set and Indexed Literal Offset Addressing. For proper execution of applications developed to take advantage of the extended instruction set, XINST must be set during programming.

To develop software for the extended instruction set, the user must enable support for the instructions and the Indexed Addressing mode in their language tool(s). Depending on the environment being used, this may be done in several ways:

- A menu option or dialog box within the environment that allows the user to configure the language tool and its settings for the project
- A command line option
- A directive in the source code

These options vary between different compilers, assemblers and development environments. Users are encouraged to review the documentation accompanying their development systems for the appropriate information.

## 29.0 DEVELOPMENT SUPPORT

The PIC® microcontrollers and dsPIC® digital signal controllers are supported with a full range of software and hardware development tools:

- Integrated Development Environment
  - MPLAB® IDE Software
- Compilers/Assemblers/Linkers
  - MPLAB C Compiler for Various Device Families
  - HI-TECH C for Various Device Families
  - MPASM™ Assembler
  - MPLINK™ Object Linker/  
MPLIB™ Object Librarian
  - MPLAB Assembler/Linker/Librarian for Various Device Families
- Simulators
  - MPLAB SIM Software Simulator
- Emulators
  - MPLAB REAL ICE™ In-Circuit Emulator
- In-Circuit Debuggers
  - MPLAB ICD 3
  - PICKit™ 3 Debug Express
- Device Programmers
  - PICKit™ 2 Programmer
  - MPLAB PM3 Device Programmer
- Low-Cost Demonstration/Development Boards, Evaluation Kits, and Starter Kits

## 29.1 MPLAB Integrated Development Environment Software

The MPLAB IDE software brings an ease of software development previously unseen in the 8/16/32-bit microcontroller market. The MPLAB IDE is a Windows® operating system-based application that contains:

- A single graphical interface to all debugging tools
  - Simulator
  - Programmer (sold separately)
  - In-Circuit Emulator (sold separately)
  - In-Circuit Debugger (sold separately)
- A full-featured editor with color-coded context
- A multiple project manager
- Customizable data windows with direct edit of contents
- High-level source code debugging
- Mouse over variable inspection
- Drag and drop variables from source to watch windows
- Extensive on-line help
- Integration of select third party tools, such as IAR C Compilers

The MPLAB IDE allows you to:

- Edit your source files (either C or assembly)
- One-touch compile or assemble, and download to emulator and simulator tools (automatically updates all project information)
- Debug using:
  - Source files (C or assembly)
  - Mixed C and assembly
  - Machine code

MPLAB IDE supports multiple debugging tools in a single development paradigm, from the cost-effective simulators, through low-cost in-circuit debuggers, to full-featured emulators. This eliminates the learning curve when upgrading to tools with increased flexibility and power.

# PIC18F46J50 FAMILY

---

## 29.2 MPLAB C Compilers for Various Device Families

The MPLAB C Compiler code development systems are complete ANSI C compilers for Microchip's PIC18, PIC24 and PIC32 families of microcontrollers and the dsPIC30 and dsPIC33 families of digital signal controllers. These compilers provide powerful integration capabilities, superior code optimization and ease of use.

For easy source level debugging, the compilers provide symbol information that is optimized to the MPLAB IDE debugger.

## 29.3 HI-TECH C for Various Device Families

The HI-TECH C Compiler code development systems are complete ANSI C compilers for Microchip's PIC family of microcontrollers and the dsPIC family of digital signal controllers. These compilers provide powerful integration capabilities, omniscient code generation and ease of use.

For easy source level debugging, the compilers provide symbol information that is optimized to the MPLAB IDE debugger.

The compilers include a macro assembler, linker, pre-processor, and one-step driver, and can run on multiple platforms.

## 29.4 MPASM Assembler

The MPASM Assembler is a full-featured, universal macro assembler for PIC10/12/16/18 MCUs.

The MPASM Assembler generates relocatable object files for the MPLINK Object Linker, Intel® standard HEX files, MAP files to detail memory usage and symbol reference, absolute LST files that contain source lines and generated machine code and COFF files for debugging.

The MPASM Assembler features include:

- Integration into MPLAB IDE projects
- User-defined macros to streamline assembly code
- Conditional assembly for multi-purpose source files
- Directives that allow complete control over the assembly process

## 29.5 MPLINK Object Linker/ MPLIB Object Librarian

The MPLINK Object Linker combines relocatable objects created by the MPASM Assembler and the MPLAB C18 C Compiler. It can link relocatable objects from precompiled libraries, using directives from a linker script.

The MPLIB Object Librarian manages the creation and modification of library files of precompiled code. When a routine from a library is called from a source file, only the modules that contain that routine will be linked in with the application. This allows large libraries to be used efficiently in many different applications.

The object linker/library features include:

- Efficient linking of single libraries instead of many smaller files
- Enhanced code maintainability by grouping related modules together
- Flexible creation of libraries with easy module listing, replacement, deletion and extraction

## 29.6 MPLAB Assembler, Linker and Librarian for Various Device Families

MPLAB Assembler produces relocatable machine code from symbolic assembly language for PIC24, PIC32 and dsPIC devices. MPLAB C Compiler uses the assembler to produce its object file. The assembler generates relocatable object files that can then be archived or linked with other relocatable object files and archives to create an executable file. Notable features of the assembler include:

- Support for the entire device instruction set
- Support for fixed-point and floating-point data
- Command line interface
- Rich directive set
- Flexible macro language
- MPLAB IDE compatibility

## 29.7 MPLAB SIM Software Simulator

The MPLAB SIM Software Simulator allows code development in a PC-hosted environment by simulating the PIC MCUs and dsPIC® DSCs on an instruction level. On any given instruction, the data areas can be examined or modified and stimuli can be applied from a comprehensive stimulus controller. Registers can be logged to files for further run-time analysis. The trace buffer and logic analyzer display extend the power of the simulator to record and track program execution, actions on I/O, most peripherals and internal registers.

The MPLAB SIM Software Simulator fully supports symbolic debugging using the MPLAB C Compilers, and the MPASM and MPLAB Assemblers. The software simulator offers the flexibility to develop and debug code outside of the hardware laboratory environment, making it an excellent, economical software development tool.

## 29.8 MPLAB REAL ICE In-Circuit Emulator System

MPLAB REAL ICE In-Circuit Emulator System is Microchip's next generation high-speed emulator for Microchip Flash DSC and MCU devices. It debugs and programs PIC® Flash MCUs and dsPIC® Flash DSCs with the easy-to-use, powerful graphical user interface of the MPLAB Integrated Development Environment (IDE), included with each kit.

The emulator is connected to the design engineer's PC using a high-speed USB 2.0 interface and is connected to the target with either a connector compatible with in-circuit debugger systems (RJ11) or with the new high-speed, noise tolerant, Low-Voltage Differential Signal (LVDS) interconnection (CAT5).

The emulator is field upgradable through future firmware downloads in MPLAB IDE. In upcoming releases of MPLAB IDE, new devices will be supported, and new features will be added. MPLAB REAL ICE offers significant advantages over competitive emulators including low-cost, full-speed emulation, run-time variable watches, trace analysis, complex breakpoints, a ruggedized probe interface and long (up to three meters) interconnection cables.

## 29.9 MPLAB ICD 3 In-Circuit Debugger System

MPLAB ICD 3 In-Circuit Debugger System is Microchip's most cost effective high-speed hardware debugger/programmer for Microchip Flash Digital Signal Controller (DSC) and microcontroller (MCU) devices. It debugs and programs PIC® Flash microcontrollers and dsPIC® DSCs with the powerful, yet easy-to-use graphical user interface of MPLAB Integrated Development Environment (IDE).

The MPLAB ICD 3 In-Circuit Debugger probe is connected to the design engineer's PC using a high-speed USB 2.0 interface and is connected to the target with a connector compatible with the MPLAB ICD 2 or MPLAB REAL ICE systems (RJ-11). MPLAB ICD 3 supports all MPLAB ICD 2 headers.

## 29.10 PICkit 3 In-Circuit Debugger/Programmer and PICkit 3 Debug Express

The MPLAB PICkit 3 allows debugging and programming of PIC® and dsPIC® Flash microcontrollers at a most affordable price point using the powerful graphical user interface of the MPLAB Integrated Development Environment (IDE). The MPLAB PICkit 3 is connected to the design engineer's PC using a full speed USB interface and can be connected to the target via an Microchip debug (RJ-11) connector (compatible with MPLAB ICD 3 and MPLAB REAL ICE). The connector uses two device I/O pins and the reset line to implement in-circuit debugging and In-Circuit Serial Programming™.

The PICkit 3 Debug Express include the PICkit 3, demo board and microcontroller, hookup cables and CDROM with user's guide, lessons, tutorial, compiler and MPLAB IDE software.

# PIC18F46J50 FAMILY

---

## 29.11 PICkit 2 Development Programmer/Debugger and PICkit 2 Debug Express

The PICkit™ 2 Development Programmer/Debugger is a low-cost development tool with an easy to use interface for programming and debugging Microchip's Flash families of microcontrollers. The full featured Windows® programming interface supports baseline (PIC10F, PIC12F5xx, PIC16F5xx), midrange (PIC12F6xx, PIC16F), PIC18F, PIC24, dsPIC30, dsPIC33, and PIC32 families of 8-bit, 16-bit, and 32-bit microcontrollers, and many Microchip Serial EEPROM products. With Microchip's powerful MPLAB Integrated Development Environment (IDE) the PICkit™ 2 enables in-circuit debugging on most PIC® microcontrollers. In-Circuit-Debugging runs, halts and single steps the program while the PIC microcontroller is embedded in the application. When halted at a breakpoint, the file registers can be examined and modified.

The PICkit 2 Debug Express include the PICkit 2, demo board and microcontroller, hookup cables and CDROM with user's guide, lessons, tutorial, compiler and MPLAB IDE software.

## 29.12 MPLAB PM3 Device Programmer

The MPLAB PM3 Device Programmer is a universal, CE compliant device programmer with programmable voltage verification at VDDMIN and VDDMAX for maximum reliability. It features a large LCD display (128 x 64) for menus and error messages and a modular, detachable socket assembly to support various package types. The ICSP™ cable assembly is included as a standard item. In Stand-Alone mode, the MPLAB PM3 Device Programmer can read, verify and program PIC devices without a PC connection. It can also set code protection in this mode. The MPLAB PM3 connects to the host PC via an RS-232 or USB cable. The MPLAB PM3 has high-speed communications and optimized algorithms for quick programming of large memory devices and incorporates an MMC card for file storage and data applications.

## 29.13 Demonstration/Development Boards, Evaluation Kits, and Starter Kits

A wide variety of demonstration, development and evaluation boards for various PIC MCUs and dsPIC DSCs allows quick application development on fully functional systems. Most boards include prototyping areas for adding custom circuitry and provide application firmware and source code for examination and modification.

The boards support a variety of features, including LEDs, temperature sensors, switches, speakers, RS-232 interfaces, LCD displays, potentiometers and additional EEPROM memory.

The demonstration and development boards can be used in teaching environments, for prototyping custom circuits and for learning about various microcontroller applications.

In addition to the PICDEM™ and dsPICDEM™ demonstration/development board series of circuits, Microchip has a line of evaluation kits and demonstration software for analog filter design, KEELOQ® security ICs, CAN, IrDA®, PowerSmart battery management, SEEVAL® evaluation system, Sigma-Delta ADC, flow rate sensing, plus many more.

Also available are starter kits that contain everything needed to experience the specified device. This usually includes a single application and debug capability, all on one board.

Check the Microchip web page ([www.microchip.com](http://www.microchip.com)) for the complete list of demonstration, development and evaluation kits.



# PIC18F46J50 FAMILY

## 30.0 ELECTRICAL CHARACTERISTICS

### Absolute Maximum Ratings<sup>(†)</sup>

|   |                       |
|---|-----------------------|
| Ambient temperature under bias .....  | -40°C to +125°C       |
| Storage temperature .....   | -65°C to +150°C       |
| Voltage on any digital only I/O pin or $\overline{\text{MCLR}}$ with respect to VSS (when VDD ≥ 2.0V) ..... | -0.3V to 6.0V         |
| Voltage on any digital only I/O pin or $\overline{\text{MCLR}}$ with respect to VSS (when VDD < 2.0V) ..... | -0.3V to (VDD + 4.0V) |
| Voltage on any combined digital and analog pin with respect to VSS (except VDD) .....                       | -0.3V to (VDD + 0.3V) |
| Voltage on VDDCORE with respect to VSS .....  | -0.3V to 2.75V        |
| Voltage on VDD with respect to VSS .....  | -0.3V to 4.0V         |
| Voltage on VUSB with respect to VSS .....   | (VDD – 0.3V) to 4.0V  |
| Total power dissipation ( <b>Note 1</b> ) .....   | 1.0W                  |
| Maximum current out of VSS pin .....  | 300 mA                |
| Maximum current into VDD pin .....  | 250 mA                |
| Maximum output current sunk by any PORTB, PORTC and RA6 I/O pin .....                                       | 25 mA                 |
| Maximum output current sunk by any PORTA (except RA6), PORTD and PORTE I/O pin .....                        | 4 mA                  |
| Maximum output current sourced by any PORTB, PORTC and RA6 I/O pin .....                                    | 25 mA                 |
| Maximum output current sourced by any PORTA (except RA6), PORTD and PORTE I/O pin .....                     | 4 mA                  |
| Maximum current sunk by all ports .....   | 200 mA                |
| Maximum current sourced by all ports .....  | 200 mA                |

**Note 1:** Power dissipation is calculated as follows:

$$\text{PDIS} = \text{VDD} \times \{ \text{IDD} - \sum \text{IOH} \} + \sum \{ (\text{VDD} - \text{VOH}) \times \text{IOH} \} + \sum (\text{VOL} \times \text{IOL})$$

† **NOTICE:** Stresses above those listed under “Absolute Maximum Ratings” may cause permanent damage to the device. This is a stress rating only and functional operation of the device at those or any other conditions above those indicated in the operation listings of this specification is not implied. Exposure to maximum rating conditions for extended periods may affect device reliability.

# PIC18F46J50 FAMILY

**FIGURE 30-1: PIC18F46J50 FAMILY V<sub>DD</sub> FREQUENCY GRAPH (INDUSTRIAL)**



**FIGURE 30-2: PIC18LF46J50 FAMILY V<sub>DDCORE</sub> FREQUENCY GRAPH (INDUSTRIAL)<sup>(1)</sup>**



# PIC18F46J50 FAMILY

## 30.1 DC Characteristics: Supply Voltage PIC18F46J50 Family (Industrial)

| PIC18F46J50 Family |                     |  | Standard Operating Conditions (unless otherwise stated)<br>Operating temperature $-40^{\circ}\text{C} \leq T_A \leq +85^{\circ}\text{C}$ for industrial |     |                |       |  |
|--------------------|---------------------|--|---|-----|----------------|-------|--|
| Param No.          | Symbol              | Characteristic   | Min   | Typ | Max            | Units | Conditions   |
| D001               | VDD                 | <b>Supply Voltage</b>  | 2.15  | —   | 3.6            | V     | PIC18F4XJ50, PIC18F2XJ50   |
| D001A              | VDD                 | <b>Supply Voltage</b>  | 2.0   | —   | 3.6            | V     | PIC18LF4XJ50, PIC18LF2XJ50   |
| D001B              | VDDCORE             | <b>External Supply for Microcontroller Core</b>                              | 2.0   | —   | 2.75           | V     | PIC18LF4XJ50, PIC18LF2XJ50   |
| D001C              | AVDD                | <b>Analog Supply Voltage</b>   | $V_{DD} - 0.3$  | —   | $V_{DD} + 0.3$ | V     |  |
| D001D              | AVSS                | <b>Analog Ground Potential</b>   | $V_{SS} - 0.3$  | —   | $V_{SS} + 0.3$ | V     |  |
| D001E              | VUSB                | <b>USB Supply Voltage</b>  | 3.0   | 3.3 | 3.6            | V     | USB module enabled <sup>(2)</sup>                                  |
| D002               | VDR                 | <b>RAM Data Retention Voltage<sup>(1)</sup></b>                              | 1.5   | —   | —              | V     |  |
| D003               | VPOR                | <b>V<sub>DD</sub> Start Voltage to Ensure Internal Power-on Reset Signal</b> | —   | —   | 0.7            | V     | See <a href="#">Section 5.3 “Power-on Reset (POR)”</a> for details |
| D004               | SVDD                | <b>V<sub>DD</sub> Rise Rate to Ensure Internal Power-on Reset Signal</b>     | 0.05  | —   | —              | V/ms  | See <a href="#">Section 5.3 “Power-on Reset (POR)”</a> for details |
| D005               | VBOR <sup>(3)</sup> | <b>VDDCORE Brown-out Reset Voltage</b>                                       | 1.9   | 2.0 | 2.2            | V     | PIC18F4XJ50, PIC18F2XJ50 only                                      |
| D006               | VDSBOR              | <b>VDD Brown-out Reset Voltage</b>   | —   | 1.8 | —              | V     | DSBOREN = 1 on “LF” device or “F” device in Deep Sleep             |

**Note 1:** This is the limit to which VDDCORE can be lowered in Sleep mode, or during a device Reset, without losing RAM data.

**2:** VUSB should always be maintained  $\geq V_{DD}$ , but may be left floating (high impedance, without external pull-down) when the USB module is disabled and RC4/RC5 will not be used as general purpose inputs.

**3:** The device will operate normally until Brown-out Reset occurs, even though VDD may be below VDDMIN.

# PIC18F46J50 FAMILY

## 30.2 DC Characteristics: Power-Down and Supply Current PIC18F46J50 Family (Industrial)

| PIC18LF46J50 Family  |              | Standard Operating Conditions (unless otherwise stated)                                      |      |       |  |  |                                  |
|--|--------------|--|------|-------|--|--|----------------------------------|
|  |              | Operating temperature $-40^{\circ}\text{C} \leq T_A \leq +85^{\circ}\text{C}$ for industrial |      |       |  |  |                                  |
| PIC18F46J50 Family   |              | Standard Operating Conditions (unless otherwise stated)                                      |      |       |  |  |                                  |
|  |              | Operating temperature $-40^{\circ}\text{C} \leq T_A \leq +85^{\circ}\text{C}$ for industrial |      |       |  |  |                                  |
| Param No.  | Device       | Typ  | Max  | Units | Conditions   |  |                                  |
| <b>Power-Down Current (I<sub>PD</sub>)<sup>(1)</sup> – Sleep mode</b>      |              |  |      |       |  |  |                                  |
|  | PIC18LFXXJ50 | 0.01   | 1.4  | μA    | -40°C  | V <sub>DD</sub> = 2.0V,<br>V <sub>DDCORE</sub> = 2.0V                | <b>Sleep mode,</b><br>REGSLP = 1 |
|  |              | 0.06   | 1.4  | μA    | +25°C  |  |                                  |
|  |              | 0.52   | 6.0  | μA    | +60°C  |  |                                  |
|  |              | 1.8  | 10.2 | μA    | +85°C  |  |                                  |
|  | PIC18LFXXJ50 | 0.035  | 1.5  | μA    | -40°C  | V <sub>DD</sub> = 2.5V,<br>V <sub>DDCORE</sub> = 2.5V                |                                  |
|  |              | 0.13   | 1.5  | μA    | +25°C  |  |                                  |
|  |              | 0.63   | 8.0  | μA    | +60°C  |  |                                  |
|  |              | 2.2  | 12.6 | μA    | +85°C  |  |                                  |
|  | PIC18FXXJ50  | 2.4  | 6.0  | μA    | -40°C  | V <sub>DD</sub> = 2.15V<br>V <sub>DDCORE</sub> = 10 μF<br>Capacitor  |                                  |
|  |              | 3.0  | 6.0  | μA    | +25°C  |  |                                  |
|  |              | 3.8  | 8.0  | μA    | +60°C  |  |                                  |
|  |              | 5.6  | 16   | μA    | +85°C  |  |                                  |
| PIC18FXXJ50  | 3.5          | 7.0  | μA   | -40°C | V <sub>DD</sub> = 3.3V<br>V <sub>DDCORE</sub> = 10 μF<br>Capacitor |  |                                  |
|  | 3.2          | 7.0  | μA   | +25°C |  |  |                                  |
|  | 4.2          | 10   | μA   | +60°C |  |  |                                  |
|  | 6.4          | 19   | μA   | +85°C |  |  |                                  |
| <b>Power-Down Current (I<sub>PD</sub>)<sup>(1)</sup> – Deep Sleep mode</b> |              |  |      |       |  |  |                                  |
|  | PIC18FXXJ50  | 1  | 25   | nA    | -40°C  | V <sub>DD</sub> = 2.15V,<br>V <sub>DDCORE</sub> = 10 μF<br>Capacitor | <b>Deep Sleep mode</b>           |
|  |              | 15   | 100  | nA    | +25°C  |  |                                  |
|  |              | 115  | 250  | nA    | +60°C  |  |                                  |
|  |              | 0.46   | 1.0  | μA    | +85°C  |  |                                  |
|  | PIC18FXXJ50  | 3  | 50   | nA    | -40°C  | V <sub>DD</sub> = 3.3V,<br>V <sub>DDCORE</sub> = 10 μF<br>Capacitor  |                                  |
|  |              | 33   | 150  | nA    | +25°C  |  |                                  |
|  |              | 191  | 389  | nA    | +60°C  |  |                                  |
|  |              | 0.65   | 2.0  | μA    | +85°C  |  |                                  |

- Note 1:** The power-down current in Sleep mode does not depend on the oscillator type. Power-down current is measured with the part in Sleep mode, with all I/O pins in a high-impedance state and tied to V<sub>DD</sub> or V<sub>SS</sub>, and all features that add delta current are disabled (such as WDT, Timer1 oscillator, BOR, etc.).
- 2:** The supply current is mainly a function of operating voltage, frequency and mode. Other factors, such as I/O pin loading and switching rate, oscillator type and circuit, internal code execution pattern and temperature, also have an impact on the current consumption. All features that add delta current are disabled (USB module, WDT, etc.). The test conditions for all I<sub>DD</sub> measurements in active operation mode are:  
 OSC1 = external square wave, from rail-to-rail; all I/O pins tri-stated, pulled to V<sub>DD</sub>/V<sub>SS</sub>;  
 MCLR = V<sub>DD</sub>; WDT disabled unless otherwise specified.
- 3:** Low-power Timer1 with standard, low-cost 32 kHz crystals has an operating temperature range of -10°C to +70°C. Extended temperature crystals are available at a much higher cost.
- 4:** This is the module differential current when the USB module is enabled and clocked at 48 MHz, but with no USB cable attached. When the USB cable is attached, or data is being transmitted, the current consumption may be much higher (see [Section 22.6.4 “USB Transceiver Current Consumption”](#)). During USB Suspend mode (USBEN = 1, SUSPND = 1, bus in Idle state), the USB module current will be dominated by the D+ or D- pull-up resistor. The integrated pull-up resistors use “resistor switching” according to the `resistor_ecn` supplement to the “USB 2.0 Specifications”, and therefore, may be as low as 900Ω during Idle conditions.

# PIC18F46J50 FAMILY

## 30.2 DC Characteristics: Power-Down and Supply Current PIC18F46J50 Family (Industrial) (Continued)

| PIC18LF46J50 Family                                  |              | Standard Operating Conditions (unless otherwise stated)                                      |               |                       |   |  |  |
|--|--------------|--|---------------|-----------------------|---|--|--|
|  |              | Operating temperature $-40^{\circ}\text{C} \leq T_A \leq +85^{\circ}\text{C}$ for industrial |               |                       |   |  |  |
| PIC18F46J50 Family                                   |              | Standard Operating Conditions (unless otherwise stated)                                      |               |                       |   |  |  |
|  |              | Operating temperature $-40^{\circ}\text{C} \leq T_A \leq +85^{\circ}\text{C}$ for industrial |               |                       |   |  |  |
| Param No.  | Device       | Typ  | Max           | Units                 | Conditions  |  |  |
| <b>Supply Current (I<sub>DD</sub>)<sup>(2)</sup></b> |              |  |               |                       |   |  |  |
|  | PIC18LFXXJ50 | 5.3  | 14.2          | $\mu\text{A}$         | $-40^{\circ}\text{C}$   | V <sub>DD</sub> = 2.0V,<br>V <sub>DDCORE</sub> = 2.0V                          | F <sub>OSC</sub> = 31 kHz<br>(RC_RUN mode,<br>Internal RC Oscillator,<br>INTSRC = 0) |
|  |              | 6.2  | 14.2          | $\mu\text{A}$         | $+25^{\circ}\text{C}$   |  |  |
|  |              | 8.5  | 19.0          | $\mu\text{A}$         | $+85^{\circ}\text{C}$   |  |  |
|  | PIC18LFXXJ50 | 8.0  | 16.5          | $\mu\text{A}$         | $-40^{\circ}\text{C}$   | V <sub>DD</sub> = 2.5V,<br>V <sub>DDCORE</sub> = 2.5V                          |  |
|  |              | 8.7  | 16.5          | $\mu\text{A}$         | $+25^{\circ}\text{C}$   |  |  |
|  |              | 11.3   | 22.4          | $\mu\text{A}$         | $+85^{\circ}\text{C}$   |  |  |
|  | PIC18FXXJ50  | 37   | 77            | $\mu\text{A}$         | $-40^{\circ}\text{C}$   | V <sub>DD</sub> = 2.15V<br>V <sub>DDCORE</sub> = 10 $\mu\text{F}$<br>Capacitor |  |
|  |              | 48   | 77            | $\mu\text{A}$         | $+25^{\circ}\text{C}$   |  |  |
|  |              | 60   | 93            | $\mu\text{A}$         | $+85^{\circ}\text{C}$   |  |  |
| PIC18FXXJ50  | 45           | 84   | $\mu\text{A}$ | $-40^{\circ}\text{C}$ | V <sub>DD</sub> = 3.3V<br>V <sub>DDCORE</sub> = 10 $\mu\text{F}$<br>Capacitor   |  |  |
|  | 54           | 84   | $\mu\text{A}$ | $+25^{\circ}\text{C}$ |   |  |  |
|  | 65           | 108  | $\mu\text{A}$ | $+85^{\circ}\text{C}$ |   |  |  |
|  | PIC18LFXXJ50 | 1.1  | 1.5           | mA                    | $-40^{\circ}\text{C}$   | V <sub>DD</sub> = 2.0V,<br>V <sub>DDCORE</sub> = 2.0                           | F <sub>OSC</sub> = 4 MHz,<br>RC_RUN mode,<br>Internal RC Oscillator                  |
|  |              | 1.1  | 1.5           | mA                    | $+25^{\circ}\text{C}$   |  |  |
|  |              | 1.2  | 1.6           | mA                    | $+85^{\circ}\text{C}$   |  |  |
|  | PIC18LFXXJ50 | 1.5  | 1.7           | mA                    | $-40^{\circ}\text{C}$   | V <sub>DD</sub> = 2.5V,<br>V <sub>DDCORE</sub> = 2.5V                          |  |
|  |              | 1.6  | 1.7           | mA                    | $+25^{\circ}\text{C}$   |  |  |
|  |              | 1.6  | 1.9           | mA                    | $+85^{\circ}\text{C}$   |  |  |
| PIC18FXXJ50  | 1.3          | 2.6  | mA            | $-40^{\circ}\text{C}$ | V <sub>DD</sub> = 2.15V,<br>V <sub>DDCORE</sub> = 10 $\mu\text{F}$<br>Capacitor |  |  |
|  | 1.4          | 2.6  | mA            | $+25^{\circ}\text{C}$ |   |  |  |
|  | 1.4          | 2.8  | mA            | $+85^{\circ}\text{C}$ |   |  |  |
| PIC18FXXJ50  | 1.6          | 2.9  | mA            | $-40^{\circ}\text{C}$ | V <sub>DD</sub> = 3.3V,<br>V <sub>DDCORE</sub> = 10 $\mu\text{F}$<br>Capacitor  |  |  |
|  | 1.6          | 2.9  | mA            | $+25^{\circ}\text{C}$ |   |  |  |
|  | 1.6          | 3.0  | mA            | $+85^{\circ}\text{C}$ |   |  |  |

- Note 1:** The power-down current in Sleep mode does not depend on the oscillator type. Power-down current is measured with the part in Sleep mode, with all I/O pins in a high-impedance state and tied to V<sub>DD</sub> or V<sub>SS</sub>, and all features that add delta current are disabled (such as WDT, Timer1 oscillator, BOR, etc.).
- 2:** The supply current is mainly a function of operating voltage, frequency and mode. Other factors, such as I/O pin loading and switching rate, oscillator type and circuit, internal code execution pattern and temperature, also have an impact on the current consumption. All features that add delta current are disabled (USB module, WDT, etc.). The test conditions for all I<sub>DD</sub> measurements in active operation mode are:  
 OSC1 = external square wave, from rail-to-rail; all I/O pins tri-stated, pulled to V<sub>DD</sub>/V<sub>SS</sub>;  
 MCLR = V<sub>DD</sub>; WDT disabled unless otherwise specified.
- 3:** Low-power Timer1 with standard, low-cost 32 kHz crystals has an operating temperature range of  $-10^{\circ}\text{C}$  to  $+70^{\circ}\text{C}$ . Extended temperature crystals are available at a much higher cost.
- 4:** This is the module differential current when the USB module is enabled and clocked at 48 MHz, but with no USB cable attached. When the USB cable is attached, or data is being transmitted, the current consumption may be much higher (see [Section 22.6.4 "USB Transceiver Current Consumption"](#)). During USB Suspend mode (USBEN = 1, SUSPND = 1, bus in Idle state), the USB module current will be dominated by the D+ or D- pull-up resistor. The integrated pull-up resistors use "resistor switching" according to the `resistor_ecn` supplement to the "USB 2.0 Specifications"; and therefore, may be as low as 900 $\Omega$  during Idle conditions.

# PIC18F46J50 FAMILY

## 30.2 DC Characteristics: Power-Down and Supply Current PIC18F46J50 Family (Industrial) (Continued)

| PIC18LF46J50 Family                                       |              | Standard Operating Conditions (unless otherwise stated)                                      |               |                       |  |  |   |
|---|--------------|--|---------------|-----------------------|--|--|---|
|   |              | Operating temperature $-40^{\circ}\text{C} \leq T_A \leq +85^{\circ}\text{C}$ for industrial |               |                       |  |  |   |
| PIC18F46J50 Family  |              | Standard Operating Conditions (unless otherwise stated)                                      |               |                       |  |  |   |
|   |              | Operating temperature $-40^{\circ}\text{C} \leq T_A \leq +85^{\circ}\text{C}$ for industrial |               |                       |  |  |   |
| Param No.   | Device       | Typ  | Max           | Units                 | Conditions   |  |   |
| <b>Supply Current (<math>I_{DD}</math>)<sup>(2)</sup></b> |              |  |               |                       |  |  |   |
|   | PIC18LFXXJ50 | 1.9  | 3.6           | mA                    | $-40^{\circ}\text{C}$  | V <sub>DD</sub> = 2.0V,<br>V <sub>DDCORE</sub> = 2.0V<br><br>F <sub>OSC</sub> = 8 MHz,<br><b>RC_RUN</b> mode,<br>Internal RC Oscillator                  |   |
|   |              | 2.0  | 3.8           | mA                    | $+25^{\circ}\text{C}$  |  |   |
|   |              | 2.0  | 3.8           | mA                    | $+85^{\circ}\text{C}$  |  |   |
|   | PIC18LFXXJ50 | 2.8  | 4.8           | mA                    | $-40^{\circ}\text{C}$  |  |   |
|   |              | 2.8  | 4.8           | mA                    | $+25^{\circ}\text{C}$  |  |   |
|   |              | 2.8  | 4.9           | mA                    | $+85^{\circ}\text{C}$  |  |   |
|   | PIC18FXXJ50  | 2.3  | 4.2           | mA                    | $-40^{\circ}\text{C}$  |  | V <sub>DD</sub> = 2.15V,<br>V <sub>DDCORE</sub> = 10 $\mu\text{F}$<br>Capacitor |
|   |              | 2.3  | 4.2           | mA                    | $+25^{\circ}\text{C}$  |  |   |
|   |              | 2.4  | 4.5           | mA                    | $+85^{\circ}\text{C}$  |  |   |
| PIC18FXXJ50   | 2.8          | 5.1  | mA            | $-40^{\circ}\text{C}$ | V <sub>DD</sub> = 3.3V,<br>V <sub>DDCORE</sub> = 10 $\mu\text{F}$<br>Capacitor |  |   |
|   | 2.8          | 5.1  | mA            | $+25^{\circ}\text{C}$ |  |  |   |
|   | 2.8          | 5.4  | mA            | $+85^{\circ}\text{C}$ |  |  |   |
|   | PIC18LFXXJ50 | 1.9  | 9.4           | $\mu\text{A}$         | $-40^{\circ}\text{C}$  | V <sub>DD</sub> = 2.0V,<br>V <sub>DDCORE</sub> = 2.0V<br><br>F <sub>OSC</sub> = 31 kHz,<br><b>RC_IDLE</b> mode,<br>Internal RC Oscillator,<br>INTSRC = 0 |   |
|   |              | 2.3  | 9.4           | $\mu\text{A}$         | $+25^{\circ}\text{C}$  |  |   |
|   |              | 4.5  | 17.2          | $\mu\text{A}$         | $+85^{\circ}\text{C}$  |  |   |
|   | PIC18LFXXJ50 | 2.4  | 10.5          | $\mu\text{A}$         | $-40^{\circ}\text{C}$  |  |   |
|   |              | 2.8  | 10.5          | $\mu\text{A}$         | $+25^{\circ}\text{C}$  |  |   |
|   |              | 5.4  | 19.5          | $\mu\text{A}$         | $+85^{\circ}\text{C}$  |  |   |
|   | PIC18FXXJ50  | 33.3   | 75            | $\mu\text{A}$         | $-40^{\circ}\text{C}$  |  | V <sub>DD</sub> = 2.15V,<br>V <sub>DDCORE</sub> = 10 $\mu\text{F}$<br>Capacitor |
|   |              | 43.8   | 75            | $\mu\text{A}$         | $+25^{\circ}\text{C}$  |  |   |
|   |              | 55.3   | 92            | $\mu\text{A}$         | $+85^{\circ}\text{C}$  |  |   |
| PIC18FXXJ50   | 36.1         | 82   | $\mu\text{A}$ | $-40^{\circ}\text{C}$ | V <sub>DD</sub> = 3.3V,<br>V <sub>DDCORE</sub> = 10 $\mu\text{F}$<br>Capacitor |  |   |
|   | 44.5         | 82   | $\mu\text{A}$ | $+25^{\circ}\text{C}$ |  |  |   |
|   | 56.3         | 105  | $\mu\text{A}$ | $+85^{\circ}\text{C}$ |  |  |   |

**Note 1:** The power-down current in Sleep mode does not depend on the oscillator type. Power-down current is measured with the part in Sleep mode, with all I/O pins in a high-impedance state and tied to V<sub>DD</sub> or V<sub>SS</sub>, and all features that add delta current are disabled (such as WDT, Timer1 oscillator, BOR, etc.).

- 2:** The supply current is mainly a function of operating voltage, frequency and mode. Other factors, such as I/O pin loading and switching rate, oscillator type and circuit, internal code execution pattern and temperature, also have an impact on the current consumption. All features that add delta current are disabled (USB module, WDT, etc.). The test conditions for all  $I_{DD}$  measurements in active operation mode are:

OSC1 = external square wave, from rail-to-rail; all I/O pins tri-stated, pulled to V<sub>DD</sub>/V<sub>SS</sub>;  
MCLR = V<sub>DD</sub>; WDT disabled unless otherwise specified.

- 3:** Low-power Timer1 with standard, low-cost 32 kHz crystals has an operating temperature range of  $-10^{\circ}\text{C}$  to  $+70^{\circ}\text{C}$ . Extended temperature crystals are available at a much higher cost.
- 4:** This is the module differential current when the USB module is enabled and clocked at 48 MHz, but with no USB cable attached. When the USB cable is attached, or data is being transmitted, the current consumption may be much higher (see [Section 22.6.4 "USB Transceiver Current Consumption"](#)). During USB Suspend mode (USBEN = 1, SUSPND = 1, bus in Idle state), the USB module current will be dominated by the D+ or D- pull-up resistor. The integrated pull-up resistors use "resistor switching" according to the `resistor_ecn` supplement to the "USB 2.0 Specifications"; and therefore, may be as low as 900 $\Omega$  during Idle conditions.

# PIC18F46J50 FAMILY

## 30.2 DC Characteristics: Power-Down and Supply Current PIC18F46J50 Family (Industrial) (Continued)

| PIC18LF46J50 Family                                  |              | Standard Operating Conditions (unless otherwise stated)                                      |       |       |   |   |  |
|--|--------------|--|-------|-------|---|---|--|
|  |              | Operating temperature $-40^{\circ}\text{C} \leq T_A \leq +85^{\circ}\text{C}$ for industrial |       |       |   |   |  |
| PIC18F46J50 Family                                   |              | Standard Operating Conditions (unless otherwise stated)                                      |       |       |   |   |  |
|  |              | Operating temperature $-40^{\circ}\text{C} \leq T_A \leq +85^{\circ}\text{C}$ for industrial |       |       |   |   |  |
| Param No.  | Device       | Typ  | Max   | Units | Conditions  |   |  |
| <b>Supply Current (I<sub>DD</sub>)<sup>(2)</sup></b> |              |  |       |       |   |   |  |
|  | PIC18LFXXJ50 | 0.531  | 0.980 | mA    | -40°C   | V <sub>DD</sub> = 2.0V,<br>V <sub>DDCORE</sub> = 2.0V |  |
|  |              | 0.571  | 0.980 | mA    | +25°C   |   |  |
|  |              | 0.608  | 1.12  | mA    | +85°C   |   |  |
|  | PIC18LFXXJ50 | 0.625  | 1.14  | mA    | -40°C   |   | V <sub>DD</sub> = 2.5V,<br>V <sub>DDCORE</sub> = 2.5V                |
|  |              | 0.681  | 1.14  | mA    | +25°C   |   |  |
|  |              | 0.725  | 1.25  | mA    | +85°C   |   |  |
|  | PIC18FXXJ50  | 0.613  | 1.21  | mA    | -40°C   |   | V <sub>DD</sub> = 2.15V,<br>V <sub>DDCORE</sub> = 10 μF<br>Capacitor |
|  |              | 0.680  | 1.21  | mA    | +25°C   |   |  |
|  |              | 0.730  | 1.30  | mA    | +85°C   |   |  |
| PIC18FXXJ50  | 0.673        | 1.27   | mA    | -40°C | V <sub>DD</sub> = 3.3V,<br>V <sub>DDCORE</sub> = 10 μF<br>Capacitor |   |  |
|  | 0.728        | 1.27   | mA    | +25°C |   |   |  |
|  | 0.779        | 1.45   | mA    | +85°C |   |   |  |
|  | PIC18LFXXJ50 | 0.750  | 1.4   | mA    | -40°C   | V <sub>DD</sub> = 2.0V,<br>V <sub>DDCORE</sub> = 2.0V |  |
|  |              | 0.797  | 1.5   | mA    | +25°C   |   |  |
|  |              | 0.839  | 1.6   | mA    | +85°C   |   |  |
|  | PIC18LFXXJ50 | 0.91   | 2.4   | mA    | -40°C   |   | V <sub>DD</sub> = 2.5V,<br>V <sub>DDCORE</sub> = 2.5V                |
|  |              | 0.96   | 2.4   | mA    | +25°C   |   |  |
|  |              | 1.01   | 2.5   | mA    | +85°C   |   |  |
|  | PIC18FXXJ50  | 0.87   | 2.1   | mA    | -40°C   |   | V <sub>DD</sub> = 2.15V,<br>V <sub>DDCORE</sub> = 10 μF<br>Capacitor |
|  |              | 0.93   | 2.1   | mA    | +25°C   |   |  |
|  |              | 0.98   | 2.3   | mA    | +85°C   |   |  |
| PIC18FXXJ50  | 0.95         | 2.6  | mA    | -40°C | V <sub>DD</sub> = 3.3V,<br>V <sub>DDCORE</sub> = 10 μF<br>Capacitor |   |  |
|  | 1.01         | 2.6  | mA    | +25°C |   |   |  |
|  | 1.06         | 2.7  | mA    | +85°C |   |   |  |

- Note 1:** The power-down current in Sleep mode does not depend on the oscillator type. Power-down current is measured with the part in Sleep mode, with all I/O pins in a high-impedance state and tied to V<sub>DD</sub> or V<sub>SS</sub>, and all features that add delta current are disabled (such as WDT, Timer1 oscillator, BOR, etc.).
- 2:** The supply current is mainly a function of operating voltage, frequency and mode. Other factors, such as I/O pin loading and switching rate, oscillator type and circuit, internal code execution pattern and temperature, also have an impact on the current consumption. All features that add delta current are disabled (USB module, WDT, etc.). The test conditions for all I<sub>DD</sub> measurements in active operation mode are:  
 OSC1 = external square wave, from rail-to-rail; all I/O pins tri-stated, pulled to V<sub>DD</sub>/V<sub>SS</sub>;  
 MCLR = V<sub>DD</sub>; WDT disabled unless otherwise specified.
- 3:** Low-power Timer1 with standard, low-cost 32 kHz crystals has an operating temperature range of -10°C to +70°C. Extended temperature crystals are available at a much higher cost.
- 4:** This is the module differential current when the USB module is enabled and clocked at 48 MHz, but with no USB cable attached. When the USB cable is attached, or data is being transmitted, the current consumption may be much higher (see [Section 22.6.4 “USB Transceiver Current Consumption”](#)). During USB Suspend mode (USBEN = 1, SUSPND = 1, bus in Idle state), the USB module current will be dominated by the D+ or D- pull-up resistor. The integrated pull-up resistors use “resistor switching” according to the `resistor_ecn` supplement to the “USB 2.0 Specifications”; and therefore, may be as low as 900Ω during Idle conditions.

# PIC18F46J50 FAMILY

## 30.2 DC Characteristics: Power-Down and Supply Current PIC18F46J50 Family (Industrial) (Continued)

| PIC18LF46J50 Family                       |              | Standard Operating Conditions (unless otherwise stated)                                      |      |       |                       |   |
|---|--------------|--|------|-------|-----------------------|---|
|   |              | Operating temperature $-40^{\circ}\text{C} \leq T_A \leq +85^{\circ}\text{C}$ for industrial |      |       |                       |   |
| PIC18F46J50 Family                        |              | Standard Operating Conditions (unless otherwise stated)                                      |      |       |                       |   |
|   |              | Operating temperature $-40^{\circ}\text{C} \leq T_A \leq +85^{\circ}\text{C}$ for industrial |      |       |                       |   |
| Param No.                                 | Device       | Typ  | Max  | Units | Conditions            |   |
| <b>Supply Current (IDD)<sup>(2)</sup></b> |              |  |      |       |                       |   |
|   | PIC18LFXXJ50 | 0.879  | 1.25 | mA    | $-40^{\circ}\text{C}$ | VDD = 2.0V,<br>VDDCORE = 2.0V                           |
|   |              | 0.881  | 1.25 | mA    | $+25^{\circ}\text{C}$ |   |
|   |              | 0.891  | 1.36 | mA    | $+85^{\circ}\text{C}$ |   |
|   | PIC18LFXXJ50 | 1.35   | 1.70 | mA    | $-40^{\circ}\text{C}$ | VDD = 2.5V,<br>VDDCORE = 2.5V                           |
|   |              | 1.30   | 1.70 | mA    | $+25^{\circ}\text{C}$ |   |
|   |              | 1.27   | 1.82 | mA    | $+85^{\circ}\text{C}$ |   |
|   | PIC18FXXJ50  | 1.09   | 1.60 | mA    | $-40^{\circ}\text{C}$ | VDD = 2.15V,<br>VDDCORE = 10 $\mu\text{F}$<br>Capacitor |
|   |              | 1.09   | 1.60 | mA    | $+25^{\circ}\text{C}$ |   |
|   |              | 1.11   | 1.70 | mA    | $+85^{\circ}\text{C}$ |   |
|   | PIC18FXXJ50  | 1.36   | 1.95 | mA    | $-40^{\circ}\text{C}$ | VDD = 3.3V,<br>VDDCORE = 10 $\mu\text{F}$<br>Capacitor  |
|   |              | 1.36   | 1.89 | mA    | $+25^{\circ}\text{C}$ |   |
|   |              | 1.41   | 1.92 | mA    | $+85^{\circ}\text{C}$ |   |
|   | PIC18LFXXJ50 | 10.9   | 14.8 | mA    | $-40^{\circ}\text{C}$ | VDD = 2.5V,<br>VDDCORE = 2.5V                           |
|   |              | 10.6   | 14.8 | mA    | $+25^{\circ}\text{C}$ |   |
|   |              | 10.6   | 15.2 | mA    | $+85^{\circ}\text{C}$ |   |
|   | PIC18FXXJ50  | 12.9   | 23.2 | mA    | $-40^{\circ}\text{C}$ | VDD = 3.3V,<br>VDDCORE = 10 $\mu\text{F}$<br>Capacitor  |
|   |              | 12.8   | 22.7 | mA    | $+25^{\circ}\text{C}$ |   |
|   |              | 12.7   | 22.7 | mA    | $+85^{\circ}\text{C}$ |   |
|   |              | FOSC = 4 MHz,<br>PRI_RUN mode,<br>EC Oscillator  |      |       |                       |   |
|   |              | FOSC = 48 MHz,<br>PRI_RUN mode,<br>EC Oscillator   |      |       |                       |   |

- Note 1:** The power-down current in Sleep mode does not depend on the oscillator type. Power-down current is measured with the part in Sleep mode, with all I/O pins in a high-impedance state and tied to VDD or VSS, and all features that add delta current are disabled (such as WDT, Timer1 oscillator, BOR, etc.).
- 2:** The supply current is mainly a function of operating voltage, frequency and mode. Other factors, such as I/O pin loading and switching rate, oscillator type and circuit, internal code execution pattern and temperature, also have an impact on the current consumption. All features that add delta current are disabled (USB module, WDT, etc.). The test conditions for all IDD measurements in active operation mode are:  
 OSC1 = external square wave, from rail-to-rail; all I/O pins tri-stated, pulled to VDD/VSS;  
 MCLR = VDD; WDT disabled unless otherwise specified.
- 3:** Low-power Timer1 with standard, low-cost 32 kHz crystals has an operating temperature range of  $-10^{\circ}\text{C}$  to  $+70^{\circ}\text{C}$ . Extended temperature crystals are available at a much higher cost.
- 4:** This is the module differential current when the USB module is enabled and clocked at 48 MHz, but with no USB cable attached. When the USB cable is attached, or data is being transmitted, the current consumption may be much higher (see [Section 22.6.4 "USB Transceiver Current Consumption"](#)). During USB Suspend mode (USBEN = 1, SUSPND = 1, bus in Idle state), the USB module current will be dominated by the D+ or D- pull-up resistor. The integrated pull-up resistors use "resistor switching" according to the `resistor_ecn` supplement to the "USB 2.0 Specifications", and therefore, may be as low as 900 $\Omega$  during Idle conditions.



# PIC18F46J50 FAMILY

## 30.2 DC Characteristics: Power-Down and Supply Current PIC18F46J50 Family (Industrial) (Continued)

| PIC18LF46J50 Family                       |              | Standard Operating Conditions (unless otherwise stated)                                      |      |                       |  |                               |   |
|---|--------------|--|------|-----------------------|--|-------------------------------|---|
|   |              | Operating temperature $-40^{\circ}\text{C} \leq T_A \leq +85^{\circ}\text{C}$ for industrial |      |                       |  |                               |   |
| PIC18F46J50 Family                        |              | Standard Operating Conditions (unless otherwise stated)                                      |      |                       |  |                               |   |
|   |              | Operating temperature $-40^{\circ}\text{C} \leq T_A \leq +85^{\circ}\text{C}$ for industrial |      |                       |  |                               |   |
| Param No.                                 | Device       | Typ  | Max  | Units                 | Conditions   |                               |   |
| <b>Supply Current (IDD)<sup>(2)</sup></b> |              |  |      |                       |  |                               |   |
|   | PIC18LFXXJ50 | 0.28   | 0.70 | mA                    | $-40^{\circ}\text{C}$                                  | VDD = 2.0V,<br>VDDCORE = 2.0V |   |
|   |              | 0.30   | 0.70 | mA                    | $+25^{\circ}\text{C}$                                  |                               |   |
|   |              | 0.34   | 0.75 | mA                    | $+85^{\circ}\text{C}$                                  |                               |   |
|   | PIC18LFXXJ50 | 0.37   | 1.0  | mA                    | $-40^{\circ}\text{C}$                                  |                               | VDD = 2.5V,<br>VDDCORE = 2.5V                           |
|   |              | 0.40   | 1.0  | mA                    | $+25^{\circ}\text{C}$                                  |                               |   |
|   |              | 0.50   | 1.1  | mA                    | $+85^{\circ}\text{C}$                                  |                               |   |
|   | PIC18FXXJ50  | 0.36   | 0.85 | mA                    | $-40^{\circ}\text{C}$                                  |                               | VDD = 2.15V,<br>VDDCORE = 10 $\mu\text{F}$<br>Capacitor |
|   |              | 0.38   | 0.85 | mA                    | $+25^{\circ}\text{C}$                                  |                               |   |
|   |              | 0.41   | 0.90 | mA                    | $+85^{\circ}\text{C}$                                  |                               |   |
| PIC18FXXJ50                               | 0.45         | 1.3  | mA   | $-40^{\circ}\text{C}$ | VDD = 3.3V,<br>VDDCORE = 10 $\mu\text{F}$<br>Capacitor |                               |   |
|   | 0.48         | 1.2  | mA   | $+25^{\circ}\text{C}$ |  |                               |   |
|   | 0.55         | 1.2  | mA   | $+85^{\circ}\text{C}$ |  |                               |   |
| PIC18LFXXJ50                              | 4.5          | 6.5  | mA   | $-40^{\circ}\text{C}$ | VDD = 2.5V,<br>VDDCORE = 2.5V                          |                               |   |
|   | 4.5          | 6.5  | mA   | $+25^{\circ}\text{C}$ |  |                               |   |
|   | 4.6          | 6.5  | mA   | $+85^{\circ}\text{C}$ |  |                               |   |
| PIC18FXXJ50                               | 4.8          | 12.4   | mA   | $-40^{\circ}\text{C}$ | VDD = 3.3V,<br>VDDCORE = 10 $\mu\text{F}$<br>Capacitor |                               |   |
|   | 4.9          | 11.5   | mA   | $+25^{\circ}\text{C}$ |  |                               |   |
|   | 5.1          | 11.5   | mA   | $+85^{\circ}\text{C}$ |  |                               |   |

- Note 1:** The power-down current in Sleep mode does not depend on the oscillator type. Power-down current is measured with the part in Sleep mode, with all I/O pins in a high-impedance state and tied to VDD or VSS, and all features that add delta current are disabled (such as WDT, Timer1 oscillator, BOR, etc.).
- 2:** The supply current is mainly a function of operating voltage, frequency and mode. Other factors, such as I/O pin loading and switching rate, oscillator type and circuit, internal code execution pattern and temperature, also have an impact on the current consumption. All features that add delta current are disabled (USB module, WDT, etc.). The test conditions for all IDD measurements in active operation mode are:  
 $\text{OSC1}$  = external square wave, from rail-to-rail; all I/O pins tri-stated, pulled to VDD/VSS;  
 $\text{MCLR}$  = VDD; WDT disabled unless otherwise specified.
- 3:** Low-power Timer1 with standard, low-cost 32 kHz crystals has an operating temperature range of  $-10^{\circ}\text{C}$  to  $+70^{\circ}\text{C}$ . Extended temperature crystals are available at a much higher cost.
- 4:** This is the module differential current when the USB module is enabled and clocked at 48 MHz, but with no USB cable attached. When the USB cable is attached, or data is being transmitted, the current consumption may be much higher (see [Section 22.6.4 "USB Transceiver Current Consumption"](#)). During USB Suspend mode (USBEN = 1, SUSPND = 1, bus in Idle state), the USB module current will be dominated by the D+ or D- pull-up resistor. The integrated pull-up resistors use "resistor switching" according to the `resistor_ecn` supplement to the "USB 2.0 Specifications", and therefore, may be as low as  $900\Omega$  during Idle conditions.

# PIC18F46J50 FAMILY

## 30.2 DC Characteristics: Power-Down and Supply Current PIC18F46J50 Family (Industrial) (Continued)

| PIC18LF46J50 Family                                  |              | Standard Operating Conditions (unless otherwise stated)                                      |     |       |            |   |  |
|--|--------------|--|-----|-------|------------|---|--|
|  |              | Operating temperature $-40^{\circ}\text{C} \leq T_A \leq +85^{\circ}\text{C}$ for industrial |     |       |            |   |  |
| PIC18F46J50 Family                                   |              | Standard Operating Conditions (unless otherwise stated)                                      |     |       |            |   |  |
|  |              | Operating temperature $-40^{\circ}\text{C} \leq T_A \leq +85^{\circ}\text{C}$ for industrial |     |       |            |   |  |
| Param No.  | Device       | Typ  | Max | Units | Conditions |   |  |
| <b>Supply Current (I<sub>DD</sub>)<sup>(2)</sup></b> |              |  |     |       |            |   |  |
|  | PIC18LFXXJ50 | 8.2  | 11  | mA    | -40°C      | V <sub>DD</sub> = 2.5V,<br>V <sub>DDCORE</sub> = 2.5V               | F <sub>OSC</sub> = 24 MHz<br><b>PRI_RUN</b> mode,<br>ECPLL Oscillator<br>(4 MHz Input) |
|  |              | 8.1  | 11  | mA    | +25°C      |   |  |
|  |              | 8.0  | 10  | mA    | +85°C      |   |  |
|  | PIC18FXXJ50  | 8.1  | 15  | mA    | -40°C      | V <sub>DD</sub> = 3.3V,<br>V <sub>DDCORE</sub> = 10 μF<br>Capacitor |  |
|  |              | 8.1  | 14  | mA    | +25°C      |   |  |
|  |              | 8.1  | 14  | mA    | +85°C      |   |  |
|  | PIC18LFXXJ50 | 12   | 14  | mA    | -40°C      | V <sub>DD</sub> = 2.5V,<br>V <sub>DDCORE</sub> = 2.5V               | F <sub>OSC</sub> = 48 MHz<br><b>PRI_RUN</b> mode,<br>ECPLL Oscillator<br>(4 MHz Input) |
|  |              | 12   | 14  | mA    | +25°C      |   |  |
|  |              | 11   | 14  | mA    | +85°C      |   |  |
|  | PIC18FXXJ50  | 14   | 24  | mA    | -40°C      | V <sub>DD</sub> = 3.3V,<br>V <sub>DDCORE</sub> = 10 μF<br>Capacitor |  |
|  |              | 14   | 23  | mA    | +25°C      |   |  |
|  |              | 14   | 23  | mA    | +85°C      |   |  |

- Note 1:** The power-down current in Sleep mode does not depend on the oscillator type. Power-down current is measured with the part in Sleep mode, with all I/O pins in a high-impedance state and tied to V<sub>DD</sub> or V<sub>SS</sub>, and all features that add delta current are disabled (such as WDT, Timer1 oscillator, BOR, etc.).
- 2:** The supply current is mainly a function of operating voltage, frequency and mode. Other factors, such as I/O pin loading and switching rate, oscillator type and circuit, internal code execution pattern and temperature, also have an impact on the current consumption. All features that add delta current are disabled (USB module, WDT, etc.). The test conditions for all I<sub>DD</sub> measurements in active operation mode are:  
OSC1 = external square wave, from rail-to-rail; all I/O pins tri-stated, pulled to V<sub>DD</sub>/V<sub>SS</sub>;  
MCLR = V<sub>DD</sub>; WDT disabled unless otherwise specified.
- 3:** Low-power Timer1 with standard, low-cost 32 kHz crystals has an operating temperature range of -10°C to +70°C. Extended temperature crystals are available at a much higher cost.
- 4:** This is the module differential current when the USB module is enabled and clocked at 48 MHz, but with no USB cable attached. When the USB cable is attached, or data is being transmitted, the current consumption may be much higher (see [Section 22.6.4 “USB Transceiver Current Consumption”](#)). During USB Suspend mode (USBEN = 1, SUSPND = 1, bus in Idle state), the USB module current will be dominated by the D+ or D- pull-up resistor. The integrated pull-up resistors use “resistor switching” according to the `resistor_ecn` supplement to the “*USB 2.0 Specifications*”; and therefore, may be as low as 900Ω during Idle conditions.

# PIC18F46J50 FAMILY

## 30.2 DC Characteristics: Power-Down and Supply Current PIC18F46J50 Family (Industrial) (Continued)

| PIC18LF46J50 Family                       |              | Standard Operating Conditions (unless otherwise stated)                                      |     |               |                       |  |  |
|---|--------------|--|-----|---------------|-----------------------|--|--|
|   |              | Operating temperature $-40^{\circ}\text{C} \leq T_A \leq +85^{\circ}\text{C}$ for industrial |     |               |                       |  |  |
| PIC18F46J50 Family                        |              | Standard Operating Conditions (unless otherwise stated)                                      |     |               |                       |  |  |
|   |              | Operating temperature $-40^{\circ}\text{C} \leq T_A \leq +85^{\circ}\text{C}$ for industrial |     |               |                       |  |  |
| Param No.                                 | Device       | Typ  | Max | Units         | Conditions            |  |  |
| <b>Supply Current (IDD)<sup>(2)</sup></b> |              |  |     |               |                       |  |  |
|   | PIC18LFXXJ50 | 9.9  | 45  | $\mu\text{A}$ | $-40^{\circ}\text{C}$ | $V_{\text{DD}} = 2.5\text{V}$ ,<br>$V_{\text{DDCORE}} = 2.5\text{V}$<br><br>$F_{\text{OSC}} = 32\text{ kHz}^{(3)}$<br><b>SEC_RUN</b> mode,<br>LPT1OSC = 0  |  |
|   |              | 11   | 45  | $\mu\text{A}$ | $+25^{\circ}\text{C}$ |  |  |
|   |              | 13   | 61  | $\mu\text{A}$ | $+85^{\circ}\text{C}$ |  |  |
|   | PIC18FXXJ50  | 39   | 95  | $\mu\text{A}$ | $-40^{\circ}\text{C}$ |  | $V_{\text{DD}} = 2.15\text{V}$ ,<br>$V_{\text{DDCORE}} = 10\ \mu\text{F}$<br>Capacitor |
|   |              | 50   | 95  | $\mu\text{A}$ | $+25^{\circ}\text{C}$ |  |  |
|   |              | 57   | 105 | $\mu\text{A}$ | $+85^{\circ}\text{C}$ |  |  |
|   | PIC18FXXJ50  | 42   | 110 | $\mu\text{A}$ | $-40^{\circ}\text{C}$ |  | $V_{\text{DD}} = 3.3\text{V}$ ,<br>$V_{\text{DDCORE}} = 10\ \mu\text{F}$<br>Capacitor  |
|   |              | 54   | 110 | $\mu\text{A}$ | $+25^{\circ}\text{C}$ |  |  |
|   |              | 57   | 150 | $\mu\text{A}$ | $+85^{\circ}\text{C}$ |  |  |
|   | PIC18LFXXJ50 | 3.5  | 31  | $\mu\text{A}$ | $-40^{\circ}\text{C}$ | $V_{\text{DD}} = 2.5\text{V}$ ,<br>$V_{\text{DDCORE}} = 2.5\text{V}$<br><br>$F_{\text{OSC}} = 32\text{ kHz}^{(3)}$<br><b>SEC_IDLE</b> mode,<br>LPT1OSC = 0 |  |
|   |              | 3.8  | 31  | $\mu\text{A}$ | $+25^{\circ}\text{C}$ |  |  |
|   |              | 4.3  | 50  | $\mu\text{A}$ | $+85^{\circ}\text{C}$ |  |  |
|   | PIC18FXXJ50  | 34   | 87  | $\mu\text{A}$ | $-40^{\circ}\text{C}$ |  | $V_{\text{DD}} = 2.15\text{V}$ ,<br>$V_{\text{DDCORE}} = 10\ \mu\text{F}$<br>Capacitor |
|   |              | 45   | 89  | $\mu\text{A}$ | $+25^{\circ}\text{C}$ |  |  |
|   |              | 56   | 97  | $\mu\text{A}$ | $+85^{\circ}\text{C}$ |  |  |
|   | PIC18FXXJ50  | 35   | 100 | $\mu\text{A}$ | $-40^{\circ}\text{C}$ |  | $V_{\text{DD}} = 3.3\text{V}$ ,<br>$V_{\text{DDCORE}} = 10\ \mu\text{F}$<br>Capacitor  |
|   |              | 46   | 100 | $\mu\text{A}$ | $+25^{\circ}\text{C}$ |  |  |
|   |              | 56   | 140 | $\mu\text{A}$ | $+85^{\circ}\text{C}$ |  |  |

- Note 1:** The power-down current in Sleep mode does not depend on the oscillator type. Power-down current is measured with the part in Sleep mode, with all I/O pins in a high-impedance state and tied to VDD or VSS, and all features that add delta current are disabled (such as WDT, Timer1 oscillator, BOR, etc.).
- 2:** The supply current is mainly a function of operating voltage, frequency and mode. Other factors, such as I/O pin loading and switching rate, oscillator type and circuit, internal code execution pattern and temperature, also have an impact on the current consumption. All features that add delta current are disabled (USB module, WDT, etc.). The test conditions for all IDD measurements in active operation mode are:  
 $\text{OSC1} = \text{external square wave, from rail-to-rail}$ ; all I/O pins tri-stated, pulled to VDD/VSS;  
 $\text{MCLR} = V_{\text{DD}}$ ; WDT disabled unless otherwise specified.
- 3:** Low-power Timer1 with standard, low-cost 32 kHz crystals has an operating temperature range of  $-10^{\circ}\text{C}$  to  $+70^{\circ}\text{C}$ . Extended temperature crystals are available at a much higher cost.
- 4:** This is the module differential current when the USB module is enabled and clocked at 48 MHz, but with no USB cable attached. When the USB cable is attached, or data is being transmitted, the current consumption may be much higher (see [Section 22.6.4 “USB Transceiver Current Consumption”](#)). During USB Suspend mode (USBEN = 1, SUSPND = 1, bus in Idle state), the USB module current will be dominated by the D+ or D- pull-up resistor. The integrated pull-up resistors use “resistor switching” according to the `resistor_ecn` supplement to the “USB 2.0 Specifications”, and therefore, may be as low as  $900\ \Omega$  during Idle conditions.

# PIC18F46J50 FAMILY

## 30.2 DC Characteristics: Power-Down and Supply Current PIC18F46J50 Family (Industrial) (Continued)

| PIC18LF46J50 Family  |  | Standard Operating Conditions (unless otherwise stated)<br>Operating temperature $-40^{\circ}\text{C} \leq T_A \leq +85^{\circ}\text{C}$ for industrial |      |               |                       |  |  |  |   |
|--|--|---|------|---------------|-----------------------|--|--|--|---|
| PIC18F46J50 Family   |  | Standard Operating Conditions (unless otherwise stated)<br>Operating temperature $-40^{\circ}\text{C} \leq T_A \leq +85^{\circ}\text{C}$ for industrial |      |               |                       |  |  |  |   |
| Param No.  | Device   | Typ   | Max  | Units         | Conditions            |  |  |  |   |
| <b>Module Differential Currents (<math>\Delta I_{WDT}</math>, <math>\Delta I_{HLVD}</math>, <math>\Delta I_{OSCB}</math>, <math>\Delta I_{AD}</math>, <math>\Delta I_{USB}</math>)</b> |  |   |      |               |                       |  |  |  |   |
|  | <b>Watchdog Timer</b>  | 0.84  | 8.0  | $\mu\text{A}$ | $-40^{\circ}\text{C}$ | $V_{DD} = 2.5\text{V}$ ,<br>$V_{DDCORE} = 2.5\text{V}$                   | PIC18LFXXJ50   |  |   |
|  |  | 0.96  | 8.0  | $\mu\text{A}$ | $+25^{\circ}\text{C}$ |  |  |  |   |
|  |  | 0.97  | 10.4 | $\mu\text{A}$ | $+85^{\circ}\text{C}$ |  |  |  |   |
|  |  |   |      | 0.65          | 7.0                   | $\mu\text{A}$  | $-40^{\circ}\text{C}$  | $V_{DD} = 2.15\text{V}$ ,<br>$V_{DDCORE} = 10\ \mu\text{F}$<br>Capacitor | PIC18FXXJ50   |
|  |  |   |      | 0.78          | 7.0                   | $\mu\text{A}$  | $+25^{\circ}\text{C}$  |  |   |
|  |  |   |      | 0.77          | 10                    | $\mu\text{A}$  | $+85^{\circ}\text{C}$  |  |   |
|  |  |   |      | 1.3           | 12.1                  | $\mu\text{A}$  | $-40^{\circ}\text{C}$  |  |   |
|  |  |   |      | 1.3           | 12.1                  | $\mu\text{A}$  | $+25^{\circ}\text{C}$  |  |   |
|  |  |   |      | 1.3           | 13.6                  | $\mu\text{A}$  | $+85^{\circ}\text{C}$  |  |   |
| D022B<br>( $\Delta I_{HLVD}$ )   | <b>High/Low-Voltage Detect</b>                                   | 3.9   | 8.0  | $\mu\text{A}$ | $-40^{\circ}\text{C}$ | $V_{DD} = 2.5\text{V}$ ,<br>$V_{DDCORE} = 2.5\text{V}$                   | PIC18LFXXJ50   |  |   |
|  |  | 4.7   | 8.0  | $\mu\text{A}$ | $+25^{\circ}\text{C}$ |  |  |  |   |
|  |  | 5.4   | 9.0  | $\mu\text{A}$ | $+85^{\circ}\text{C}$ |  |  |  |   |
|  |  |   |      | 2.6           | 6.0                   | $\mu\text{A}$  | $-40^{\circ}\text{C}$  | $V_{DD} = 2.15\text{V}$ ,<br>$V_{DDCORE} = 10\ \mu\text{F}$<br>Capacitor | PIC18FXXJ50   |
|  |  |   |      | 3.1           | 6.0                   | $\mu\text{A}$  | $+25^{\circ}\text{C}$  |  |   |
|  |  |   |      | 3.5           | 8.0                   | $\mu\text{A}$  | $+85^{\circ}\text{C}$  |  |   |
|  |  |   |      | 3.5           | 9.0                   | $\mu\text{A}$  | $-40^{\circ}\text{C}$  |  |   |
|  |  |   |      | 4.1           | 9.0                   | $\mu\text{A}$  | $+25^{\circ}\text{C}$  |  |   |
|  |  |   |      | 4.5           | 12                    | $\mu\text{A}$  | $+85^{\circ}\text{C}$  |  |   |
| D025<br>( $\Delta I_{OSCB}$ )  | <b>Real-Time Clock/Calendar with Low-Power Timer1 Oscillator</b> | 0.80  | 4.0  | $\mu\text{A}$ | $-40^{\circ}\text{C}$ | $V_{DD} = 2.15\text{V}$ ,<br>$V_{DDCORE} = 10\ \mu\text{F}$<br>Capacitor | PIC18FXXJ50<br>32.768 kHz <sup>(3)</sup> , T1OSCEN = 1,<br>LPT1OSC = 0 |  |   |
|  |  | 0.83  | 4.5  | $\mu\text{A}$ | $+25^{\circ}\text{C}$ |  |  |  |   |
|  |  | 0.95  | 4.5  | $\mu\text{A}$ | $+60^{\circ}\text{C}$ |  |  |  |   |
|  |  | 1.2   | 4.5  | $\mu\text{A}$ | $+85^{\circ}\text{C}$ |  |  |  |   |
|  |  |   |      | 0.75          | 4.5                   | $\mu\text{A}$  |  | $-40^{\circ}\text{C}$  | $V_{DD} = 2.5\text{V}$ ,<br>$V_{DDCORE} = 10\ \mu\text{F}$<br>Capacitor |
|  |  |   |      | 0.92          | 5.0                   | $\mu\text{A}$  |  | $+25^{\circ}\text{C}$  |   |
|  |  |   |      | 1.1           | 5.0                   | $\mu\text{A}$  |  | $+60^{\circ}\text{C}$  |   |
|  |  |   |      | 1.1           | 5.0                   | $\mu\text{A}$  |  | $+85^{\circ}\text{C}$  |   |
|  |  |   |      | 0.95          | 6.5                   | $\mu\text{A}$  |  | $-40^{\circ}\text{C}$  |   |
|  |  |   |      | 1.1           | 6.5                   | $\mu\text{A}$  |  | $+25^{\circ}\text{C}$  |   |
|  |  |   |      | 1.2           | 8.0                   | $\mu\text{A}$  |  | $+60^{\circ}\text{C}$  |   |
|  |  |   |      | 1.4           | 8.0                   | $\mu\text{A}$  |  | $+85^{\circ}\text{C}$  |   |

- Note 1:** The power-down current in Sleep mode does not depend on the oscillator type. Power-down current is measured with the part in Sleep mode, with all I/O pins in a high-impedance state and tied to  $V_{DD}$  or  $V_{SS}$ , and all features that add delta current are disabled (such as WDT, Timer1 oscillator, BOR, etc.).
- 2:** The supply current is mainly a function of operating voltage, frequency and mode. Other factors, such as I/O pin loading and switching rate, oscillator type and circuit, internal code execution pattern and temperature, also have an impact on the current consumption. All features that add delta current are disabled (USB module, WDT, etc.). The test conditions for all  $I_{DD}$  measurements in active operation mode are:  
 OSC1 = external square wave, from rail-to-rail; all I/O pins tri-stated, pulled to  $V_{DD}/V_{SS}$ ;  
 MCLR =  $V_{DD}$ ; WDT disabled unless otherwise specified.
- 3:** Low-power Timer1 with standard, low-cost 32 kHz crystals has an operating temperature range of  $-10^{\circ}\text{C}$  to  $+70^{\circ}\text{C}$ . Extended temperature crystals are available at a much higher cost.
- 4:** This is the module differential current when the USB module is enabled and clocked at 48 MHz, but with no USB cable attached. When the USB cable is attached, or data is being transmitted, the current consumption may be much higher (see [Section 22.6.4 “USB Transceiver Current Consumption”](#)). During USB Suspend mode (USBEN = 1, SUSPND = 1, bus in Idle state), the USB module current will be dominated by the D+ or D- pull-up resistor. The integrated pull-up resistors use “resistor switching” according to the *resistor\_ecn* supplement to the “USB 2.0 Specifications”, and therefore, may be as low as  $900\ \Omega$  during Idle conditions.

# PIC18F46J50 FAMILY

## 30.2 DC Characteristics: Power-Down and Supply Current PIC18F46J50 Family (Industrial) (Continued)

| PIC18LF46J50 Family   |               | Standard Operating Conditions (unless otherwise stated)<br>Operating temperature $-40^{\circ}\text{C} \leq T_A \leq +85^{\circ}\text{C}$ for industrial |                       |   |                       |   |   |
|---|---------------|---|-----------------------|---|-----------------------|---|---|
| PIC18F46J50 Family  |               | Standard Operating Conditions (unless otherwise stated)<br>Operating temperature $-40^{\circ}\text{C} \leq T_A \leq +85^{\circ}\text{C}$ for industrial |                       |   |                       |   |   |
| Param No.   | Device        | Typ   | Max                   | Units   | Conditions            |   |   |
| <b>Module Differential Currents (<math>\Delta I_{\text{WDT}}</math>, <math>\Delta I_{\text{HLVD}}</math>, <math>\Delta I_{\text{OSCB}}</math>, <math>\Delta I_{\text{AD}}</math>, <math>\Delta I_{\text{USB}}</math>)</b> |               |   |                       |   |                       |   |   |
| D026<br>( $\Delta I_{\text{AD}}$ )  | A/D Converter | 3.0   | 10                    | $\mu\text{A}$   | $-40^{\circ}\text{C}$ | $V_{\text{DD}} = 2.5\text{V}$ ,<br>$V_{\text{DDCORE}} = 2.5\text{V}$  | PIC18LFXXJ50<br>A/D on, not converting  |
|   |               | 3.0   | 10                    | $\mu\text{A}$   | $+25^{\circ}\text{C}$ |   |   |
|   |               | 3.0   | 10                    | $\mu\text{A}$   | $+85^{\circ}\text{C}$ |   |   |
|   |               | 3.0   | 10                    | $\mu\text{A}$   | $-40^{\circ}\text{C}$ | $V_{\text{DD}} = 2.15\text{V}$ ,<br>$V_{\text{DDCORE}} = 10\ \mu\text{F}$<br>Capacitor                        | PIC18FXXJ50<br>A/D on, not converting   |
|   |               | 3.0   | 10                    | $\mu\text{A}$   | $+25^{\circ}\text{C}$ |   |   |
|   |               | 3.0   | 10                    | $\mu\text{A}$   | $+85^{\circ}\text{C}$ |   |   |
|   |               | 3.2   | 11                    | $\mu\text{A}$   | $-40^{\circ}\text{C}$ |   |   |
|   |               | 3.2   | 11                    | $\mu\text{A}$   | $+25^{\circ}\text{C}$ |   |   |
| 3.2   | 11            | $\mu\text{A}$   | $+85^{\circ}\text{C}$ | $V_{\text{DD}} = 3.3\text{V}$ ,<br>$V_{\text{DDCORE}} = 10\ \mu\text{F}$<br>Capacitor |                       |   |   |
| D027<br>( $\Delta I_{\text{USB}}$ )   | USB Module    | 1.6   | 3.2                   | $\text{mA}$   | $-40^{\circ}\text{C}$ | $V_{\text{DD}}$ and<br>$V_{\text{USB}} = 3.3\text{V}$ ,<br>$V_{\text{DDCORE}} = 10\ \mu\text{F}$<br>Capacitor | PIC18FXXJ50<br>USB enabled, no cable<br>connected. <sup>(4)</sup> Traffic makes a<br>difference, see <a href="#">Section 22.6.4</a><br>“USB Transceiver Current<br>Consumption” |
|   |               | 1.6   | 3.2                   | $\text{mA}$   | $+25^{\circ}\text{C}$ |   |   |
|   |               | 1.5   | 3.2                   | $\text{mA}$   | $+85^{\circ}\text{C}$ |   |   |

- Note 1:** The power-down current in Sleep mode does not depend on the oscillator type. Power-down current is measured with the part in Sleep mode, with all I/O pins in a high-impedance state and tied to  $V_{\text{DD}}$  or  $V_{\text{SS}}$ , and all features that add delta current are disabled (such as WDT, Timer1 oscillator, BOR, etc.).
- 2:** The supply current is mainly a function of operating voltage, frequency and mode. Other factors, such as I/O pin loading and switching rate, oscillator type and circuit, internal code execution pattern and temperature, also have an impact on the current consumption. All features that add delta current are disabled (USB module, WDT, etc.). The test conditions for all  $I_{\text{DD}}$  measurements in active operation mode are:  
 $\text{OSC1} = \text{external square wave, from rail-to-rail; all I/O pins tri-stated, pulled to } V_{\text{DD}}/V_{\text{SS}};$   
 $\text{MCLR} = V_{\text{DD}};$  WDT disabled unless otherwise specified.
- 3:** Low-power Timer1 with standard, low-cost 32 kHz crystals has an operating temperature range of  $-10^{\circ}\text{C}$  to  $+70^{\circ}\text{C}$ . Extended temperature crystals are available at a much higher cost.
- 4:** This is the module differential current when the USB module is enabled and clocked at 48 MHz, but with no USB cable attached. When the USB cable is attached, or data is being transmitted, the current consumption may be much higher (see [Section 22.6.4 “USB Transceiver Current Consumption”](#)). During USB Suspend mode ( $\text{USBEN} = 1$ ,  $\text{SUSPND} = 1$ , bus in Idle state), the USB module current will be dominated by the D+ or D- pull-up resistor. The integrated pull-up resistors use “resistor switching” according to the `resistor_ecn` supplement to the “USB 2.0 Specifications”, and therefore, may be as low as  $900\ \Omega$  during Idle conditions.

# PIC18F46J50 FAMILY

## 30.3 DC Characteristics: PIC18F46J50 Family (Industrial)

| DC CHARACTERISTICS |                   |  | Standard Operating Conditions (unless otherwise stated)<br>Operating temperature $-40^{\circ}\text{C} \leq T_A \leq +85^{\circ}\text{C}$ for industrial |                      |       |   |
|--------------------|-------------------|--|---|----------------------|-------|---|
| Param No.          | Symbol            | Characteristic   | Min   | Max                  | Units | Conditions  |
|                    | V <sub>IL</sub>   | <b>Input Low Voltage</b><br>All I/O ports:                                   |   |                      |       |   |
| D030               |                   | with TTL Buffer <sup>(4)</sup>   | V <sub>SS</sub>   | 0.15 V <sub>DD</sub> | V     | V <sub>DD</sub> ≤ 3.3V  |
| D030A              |                   | with TTL Buffer <sup>(4)</sup>   | V <sub>SS</sub>   | 0.8                  | V     | 3.3V < V <sub>DD</sub> < 3.6V   |
| D031               |                   | with Schmitt Trigger Buffer  | V <sub>SS</sub>   | 0.2 V <sub>DD</sub>  | V     |   |
| D031A              |                   | SDAx/SCLx  | V <sub>SS</sub>   | 0.3 V <sub>DD</sub>  | V     | I <sup>2</sup> C™ enabled   |
| D031B              |                   | SDAx/SCLx  | V <sub>SS</sub>   | 0.8                  | V     | SMBus enabled   |
| D032               |                   | $\overline{\text{MCLR}}$   | V <sub>SS</sub>   | 0.2 V <sub>DD</sub>  | V     |   |
| D033               |                   | OSC1   | V <sub>SS</sub>   | 0.3 V <sub>DD</sub>  | V     | HS, HSPLL modes   |
| D033A              |                   | OSC1   | V <sub>SS</sub>   | 0.2 V <sub>DD</sub>  | V     | EC, ECPLL modes   |
| D034               |                   | T1OSI  | V <sub>SS</sub>   | 0.3                  | V     | T1OSCEN = 1   |
|                    | V <sub>IH</sub>   | <b>Input High Voltage</b><br>I/O Ports without 5.5V Tolerance:               |   |                      |       |   |
| D040               |                   | with TTL Buffer <sup>(4)</sup>   | 0.25 V <sub>DD</sub> + 0.8V   | V <sub>DD</sub>      | V     | V <sub>DD</sub> < 3.3V  |
| D040A              |                   | with TTL Buffer <sup>(4)</sup>   | 2.0   | V <sub>DD</sub>      | V     | 3.3V < V <sub>DD</sub> < 3.6V   |
| D041               |                   | with Schmitt Trigger Buffer  | 0.8 V <sub>DD</sub>   | V <sub>DD</sub>      | V     |   |
|                    |                   | I/O Ports with 5.5V Tolerance: <sup>(5)</sup>                                |   |                      |       |   |
| Dxxx               |                   | with TTL Buffer  | 0.25 V <sub>DD</sub> + 0.8V   | 5.5                  | V     | V <sub>DD</sub> < 3.3V  |
| DxxxA              |                   |  | 2.0   | 5.5                  | V     | 3.3V ≤ V <sub>DD</sub> ≤ 3.6V   |
| Dxxx               |                   | with Schmitt Trigger Buffer  | 0.8 V <sub>DD</sub>   | 5.5                  | V     |   |
| D041A              |                   | SDAx/SCLx  | 0.7 V <sub>DD</sub>   | 5.5                  | V     | I <sup>2</sup> C™ enabled   |
| D041B              |                   | SDAx/SCLx  | 2.1   | 5.5                  | V     | SMBus enabled, V <sub>DD</sub> ≥ 3V   |
| D042               |                   | $\overline{\text{MCLR}}$   | 0.8 V <sub>DD</sub>   | 5.5                  | V     |   |
| D043               |                   | OSC1   | 0.7 V <sub>DD</sub>   | V <sub>DD</sub>      | V     | HS, HSPLL modes   |
| D043A              |                   | OSC1   | 0.8 V <sub>DD</sub>   | V <sub>DD</sub>      | V     | EC, ECPLL modes   |
| D044               |                   | T1OSI  | 1.6   | V <sub>DD</sub>      | V     | T1OSCEN = 1   |
|                    | I <sub>IL</sub>   | <b>Input Leakage Current<sup>(1,2)</sup></b><br>I/O Ports                    | —   | ±0.2                 | μA    | V <sub>SS</sub> ≤ V <sub>PIN</sub> ≤ V <sub>DD</sub> ,<br>Pin at high-impedance |
| D060               |                   |  | —   | ±0.2                 | μA    |   |
| D061               |                   | $\overline{\text{MCLR}}$   | —   | ±0.2                 | μA    | V <sub>SS</sub> ≤ V <sub>PIN</sub> ≤ V <sub>DD</sub>                            |
| D063               |                   | OSC1   | —   | ±0.2                 | μA    | V <sub>SS</sub> ≤ V <sub>PIN</sub> ≤ V <sub>DD</sub>                            |
|                    | I <sub>PU</sub>   | <b>Weak Pull-up Current</b>  |   |                      |       |   |
| D070               | I <sub>PURB</sub> | PORTB, PORTD <sup>(3)</sup> and<br>PORTE <sup>(3)</sup> Weak Pull-up Current | 80  | 400                  | μA    | V <sub>DD</sub> = 3.3V, V <sub>PIN</sub> = V <sub>SS</sub>                      |

- Note 1:** The leakage current on the  $\overline{\text{MCLR}}$  pin is strongly dependent on the applied voltage level. The specified levels represent normal operating conditions. Higher leakage current may be measured at different input voltages.
- Note 2:** Negative current is defined as current sourced by the pin.
- Note 3:** Only available on 44-pin devices.
- Note 4:** When used as general purpose inputs, the RC4 and RC5 thresholds are referenced to V<sub>USB</sub> instead of V<sub>DD</sub>.
- Note 5:** Refer to [Table 10-2](#) for pin tolerance levels.

# PIC18F46J50 FAMILY

## 30.3 DC Characteristics: PIC18F46J50 Family (Industrial) (Continued)

| DC CHARACTERISTICS |                 |   | Standard Operating Conditions (unless otherwise stated)<br>Operating temperature $-40^{\circ}\text{C} \leq T_A \leq +85^{\circ}\text{C}$ for industrial |     |       |   |
|--------------------|-----------------|---|---|-----|-------|---|
| Param No.          | Symbol          | Characteristic  | Min   | Max | Units | Conditions  |
| D080               | VOL             | <b>Output Low Voltage</b>   |   |     |       |   |
|                    |                 | I/O Ports:<br>PORTA (except RA6),<br>PORTD, PORTE<br>PORTB, PORTC, RA6      | —   | 0.4 | V     | $I_{OL} = 2 \text{ mA}$ , $V_{DD} = 3.3\text{V}$ ,<br>$-40^{\circ}\text{C}$ to $+85^{\circ}\text{C}$  |
| D090               | VOH             | <b>Output High Voltage</b>  |   |     |       |   |
|                    |                 | I/O Ports:<br>PORTA (except RA6),<br>PORTD, PORTE<br>PORTB, PORTC, RA6      | 2.4   | —   | V     | $I_{OH} = -2 \text{ mA}$ , $V_{DD} = 3.3\text{V}$ ,<br>$-40^{\circ}\text{C}$ to $+85^{\circ}\text{C}$ |
| D101               | C <sub>IO</sub> | <b>Capacitive Loading Specs<br/>on Output Pins</b><br>All I/O Pins and OSC2 | —   | 50  | pF    | To meet the AC Timing<br>Specifications   |
| D102               | C <sub>B</sub>  | SCLx, SDAx  | —   | 400 | pF    | I <sup>2</sup> C™ Specification   |

- Note 1:** The leakage current on the MCLR pin is strongly dependent on the applied voltage level. The specified levels represent normal operating conditions. Higher leakage current may be measured at different input voltages.
- 2:** Negative current is defined as current sourced by the pin.
- 3:** Only available on 44-pin devices.
- 4:** When used as general purpose inputs, the RC4 and RC5 thresholds are referenced to V<sub>USB</sub> instead of V<sub>DD</sub>.
- 5:** Refer to [Table 10-2](#) for pin tolerance levels.

# PIC18F46J50 FAMILY

**TABLE 30-1: MEMORY PROGRAMMING REQUIREMENTS**

| DC CHARACTERISTICS          |       |                                       | Standard Operating Conditions (unless otherwise stated)<br>Operating temperature $-40^{\circ}\text{C} \leq T_A \leq +85^{\circ}\text{C}$ for industrial |      |      |       |  |
|-----------------------------|-------|---------------------------------------|---|------|------|-------|--|
| Param No.                   | Sym   | Characteristic                        | Min   | Typ† | Max  | Units | Conditions                                     |
| <b>Program Flash Memory</b> |       |                                       |   |      |      |       |  |
| D130                        | EP    | Cell Endurance                        | 10K   | —    | —    | E/W   | $-40^{\circ}\text{C}$ to $+85^{\circ}\text{C}$ |
| D131                        | VPR   | VDDcore for Read                      | V <sub>MIN</sub>  | —    | 2.75 | V     | V <sub>MIN</sub> = Minimum operating voltage   |
| D132B                       | VPEW  | VDDCORE for Self-Timed Erase or Write | 2.25  | —    | 2.75 | V     |  |
| D133A                       | TIW   | Self-Timed Write Cycle Time           | —   | 2.8  | —    | ms    | 64 bytes                                       |
| D133B                       | TIE   | Self-Timed Block Erase Cycle Time     | —   | 33.0 | —    | ms    |  |
| D134                        | TRETD | Characteristic Retention              | 20  | —    | —    | Year  | Provided no other specifications are violated  |
| D135                        | IDDP  | Supply Current during Programming     | —   | 3    | —    | mA    |  |

† Data in “Typ” column is at 3.3V, 25°C unless otherwise stated.

**TABLE 30-2: COMPARATOR SPECIFICATIONS**

| Operating Conditions: $3.0\text{V} < V_{DD} < 3.6\text{V}$ , $-40^{\circ}\text{C} < T_A < +85^{\circ}\text{C}$ (unless otherwise stated) |                    |  |      |      |                 |       |          |
|--|--------------------|--|------|------|-----------------|-------|----------|
| Param No.  | Sym                | Characteristics                        | Min  | Typ  | Max             | Units | Comments |
| D300   | V <sub>IOFF</sub>  | Input Offset Voltage                   | —    | +/-5 | +/-25           | mV    |          |
| D301   | V <sub>ICM</sub>   | Input Common Mode Voltage              | 0    | —    | V <sub>DD</sub> | V     |          |
|  | V <sub>IRV</sub>   | Internal Reference Voltage             | 0.57 | 0.60 | 0.63            | V     |          |
| D302   | CMRR               | Common Mode Rejection Ratio            | 55   | —    | —               | dB    |          |
| D303   | T <sub>RESP</sub>  | Response Time <sup>(1)</sup>           | —    | 150  | 400             | ns    |          |
| D304   | T <sub>MC2OV</sub> | Comparator Mode Change to Output Valid | —    | —    | 10              | μs    |          |

**Note 1:** Response time measured with one comparator input at  $V_{DD}/2$ , while the other input transitions from  $V_{SS}$  to  $V_{DD}$ .



# PIC18F46J50 FAMILY

**TABLE 30-3: VOLTAGE REFERENCE SPECIFICATIONS**

| Operating Conditions: 3.0V < VDD < 3.6V, -40°C < TA < +85°C (unless otherwise stated) |      |                              |        |     |        |       |          |
|---|------|------------------------------|--------|-----|--------|-------|----------|
| Param No.   | Sym  | Characteristics              | Min    | Typ | Max    | Units | Comments |
| D310  | VRES | Resolution                   | VDD/24 | —   | VDD/32 | LSb   |          |
| D311  | VRAA | Absolute Accuracy            | —      | —   | 1/2    | LSb   |          |
| D312  | VRUR | Unit Resistor Value (R)      | —      | 2k  | —      | Ω     |          |
| D313  | TSET | Settling Time <sup>(1)</sup> | —      | —   | 10     | μs    |          |

**Note 1:** Settling time measured while CVRR = 1 and CVR<3:0> bits transition from '0000' to '1111'.

**TABLE 30-4: INTERNAL VOLTAGE REGULATOR SPECIFICATIONS**

| Operating Conditions: -40°C < TA < +85°C (unless otherwise stated) |        |  |      |     |     |       |   |
|--|--------|--|------|-----|-----|-------|---|
| Param No.  | Sym    | Characteristics                                | Min  | Typ | Max | Units | Comments                                  |
|  | VRGOUT | Regulator Output Voltage                       | 2.35 | 2.5 | 2.7 | V     | Regulator enabled, VDD = 3.0V             |
|  | CEFC   | External Filter Capacitor Value <sup>(1)</sup> | 5.4  | 10  | 18  | μF    | ESR < 3Ω recommended<br>ESR < 5Ω required |

**Note 1:** CEFC applies for PIC18F devices in the family. For PIC18LF devices in the family, there is no specific minimum or maximum capacitance for VDDCORE, although proper supply rail bypassing should still be used.

**TABLE 30-5: ULPWU SPECIFICATIONS**

| DC CHARACTERISTICS |      |                                 | Standard Operating Conditions (unless otherwise stated)<br>Operating temperature -40°C ≤ TA ≤ +85°C for industrial |      |     |       |  |
|--------------------|------|---------------------------------|--|------|-----|-------|--|
| Param No.          | Sym  | Characteristic                  | Min  | Typ† | Max | Units | Conditions   |
| D100               | IULP | Ultra Low-Power Wake-up Current | —  | 60   | —   | nA    | Net of I/O leakage and current sink at 1.6V on pin, VDD = 3.3V<br>See Application Note AN879, "Using the Microchip Ultra Low-Power Wake-up Module" (DS00879) |

† Data in "Typ" column is at 3.3V, 25°C unless otherwise stated.

**TABLE 30-6: CTMU CURRENT SOURCE SPECIFICATIONS**

| DC CHARACTERISTICS |       |                                 | Standard Operating Conditions: 2.0V to 3.6V (unless otherwise stated)<br>Operating temperature -40°C ≤ TA ≤ +85°C for Industrial |                    |     |       |                    |
|--------------------|-------|---------------------------------|--|--------------------|-----|-------|--------------------|
| Param No.          | Sym   | Characteristic                  | Min  | Typ <sup>(1)</sup> | Max | Units | Conditions         |
|                    | IOUT1 | CTMU Current Source, Base Range | —  | 550                | —   | nA    | CTMUICON<1:0> = 01 |
|                    | IOUT2 | CTMU Current Source, 10x Range  | —  | 5.5                | —   | μA    | CTMUICON<1:0> = 10 |
|                    | IOUT3 | CTMU Current Source, 100x Range | —  | 55                 | —   | μA    | CTMUICON<1:0> = 11 |

**Note 1:** Nominal value at center point of current trim range (CTMUICON<7:2> = 000000).

# PIC18F46J50 FAMILY

**TABLE 30-7: USB MODULE SPECIFICATIONS**

| Operating Conditions: $-40^{\circ}\text{C} < T_A < +85^{\circ}\text{C}$ (unless otherwise stated) |        |  |     |     |        |               |   |
|---|--------|--|-----|-----|--------|---------------|---|
| Param No.   | Sym    | Characteristics                        | Min | Typ | Max    | Units         | Comments  |
| D313  | VUSB   | USB Voltage                            | 3.0 | —   | 3.6    | V             | Voltage on VUSB pin must be in this range for proper USB operation            |
| D314  | IIL    | Input Leakage on D+ or D-              | —   | —   | +/-0.5 | $\mu\text{A}$ | $V_{SS} \leq V_{PIN} \leq V_{USB}$  |
| D315  | VILUSB | Input Low Voltage for USB Buffer       | —   | —   | 0.8    | V             | For VUSB range  |
| D316  | VIHUSB | Input High Voltage for USB Buffer      | 2.0 | —   | —      | V             | For VUSB range  |
| D318  | VDIFS  | Differential Input Sensitivity         | —   | —   | 0.2    | V             | The difference between D+ and D- must exceed this value while $V_{CM}$ is met |
| D319  | VCM    | Differential Common Mode Range         | 0.8 | —   | 2.5    | V             |   |
| D320  | ZOUT   | Driver Output Impedance <sup>(1)</sup> | 28  | —   | 44     | $\Omega$      |   |
| D321  | VOL    | Voltage Output Low                     | 0.0 | —   | 0.3    | V             | 1.5 k $\Omega$ load connected to 3.6V   |
| D322  | VOH    | Voltage Output High                    | 2.8 | —   | 3.6    | V             | 1.5 k $\Omega$ load connected to ground                                       |

**Note 1:** The D+ and D- signal lines have built-in impedance matching resistors. No external resistors, capacitors or magnetic components are necessary on the D+/D- signal paths between the PIC18F46J50 family device and a USB cable.

# PIC18F46J50 FAMILY

**FIGURE 30-3: HIGH/LOW-VOLTAGE DETECT CHARACTERISTICS**



**TABLE 30-8: HIGH/LOW-VOLTAGE DETECT CHARACTERISTICS**

| Standard Operating Conditions (unless otherwise stated)                                      |        |  |                   |      |      |               |            |  |
|--|--------|--|-------------------|------|------|---------------|------------|--|
| Operating temperature $-40^{\circ}\text{C} \leq T_A \leq +85^{\circ}\text{C}$ for industrial |        |  |                   |      |      |               |            |  |
| Param No.  | Symbol | Characteristic                                       | Min               | Typ  | Max  | Units         | Conditions |  |
| D420   |        | HLVD Voltage on VDD Transition High-to-Low           | HLVDL<3:0> = 1000 | 2.33 | 2.45 | 2.57          | V          |  |
|  |        |  | HLVDL<3:0> = 1001 | 2.47 | 2.60 | 2.73          | V          |  |
|  |        |  | HLVDL<3:0> = 1010 | 2.66 | 2.80 | 2.94          | V          |  |
|  |        |  | HLVDL<3:0> = 1011 | 2.76 | 2.90 | 3.05          | V          |  |
|  |        |  | HLVDL<3:0> = 1100 | 2.85 | 3.00 | 3.15          | V          |  |
|  |        |  | HLVDL<3:0> = 1101 | 2.97 | 3.13 | 3.29          | V          |  |
|  |        |  | HLVDL<3:0> = 1110 | 3.23 | 3.40 | 3.57          | V          |  |
| D421   | TIRVST | Time for Internal Reference Voltage to become Stable | —                 | 20   | —    | $\mu\text{s}$ |            |  |
| D422   | TLVD   | High/Low-Voltage Detect Pulse Width                  | 200               | —    | —    | $\mu\text{s}$ |            |  |

# PIC18F46J50 FAMILY

## 30.4 AC (Timing) Characteristics

### 30.4.1 TIMING PARAMETER SYMBOLOGY

The timing parameter symbols have been created following one of the following formats:

- |             |           |  |
|-------------|-----------|--|
| 1. TppS2ppS | 3. TCC:ST | (I <sup>2</sup> C specifications only) |
| 2. TppS     | 4. Ts     | (I <sup>2</sup> C specifications only) |

|   |           |   |      |
|---|-----------|---|------|
| T |           | T |      |
| F | Frequency | T | Time |

Lowercase letters (pp) and their meanings:

|    |                   |     |                                    |
|----|-------------------|-----|------------------------------------|
| pp |                   |     |                                    |
| cc | CCP1              | osc | OSC1                               |
| ck | CLKO              | rd  | $\overline{RD}$                    |
| cs | $\overline{CS}$   | rw  | $\overline{RD}$ or $\overline{WR}$ |
| di | SDI               | sc  | SCK                                |
| do | SDO               | ss  | $\overline{SS}$                    |
| dt | Data in           | t0  | T0CKI                              |
| io | I/O port          | t1  | T13CKI                             |
| mc | $\overline{MCLR}$ | wr  | $\overline{WR}$                    |

Uppercase letters and their meanings:

|                       |                          |      |                |
|-----------------------|--------------------------|------|----------------|
| S                     |                          |      |                |
| F                     | Fall                     | P    | Period         |
| H                     | High                     | R    | Rise           |
| I                     | Invalid (High-impedance) | V    | Valid          |
| L                     | Low                      | Z    | High-impedance |
| I <sup>2</sup> C only |                          |      |                |
| AA                    | output access            | High | High           |
| BUF                   | Bus free                 | Low  | Low            |

TCC:ST (I<sup>2</sup>C specifications only)

|     |                 |     |                |
|-----|-----------------|-----|----------------|
| CC  |                 |     |                |
| HD  | Hold            | SU  | Setup          |
| ST  |                 |     |                |
| DAT | DATA input hold | STO | Stop condition |
| STA | Start condition |     |                |

# PIC18F46J50 FAMILY

## 30.4.2 TIMING CONDITIONS

The temperature and voltages specified in [Table 30-9](#) apply to all timing specifications unless otherwise noted. [Figure 30-4](#) specifies the load conditions for the timing specifications.

**TABLE 30-9: TEMPERATURE AND VOLTAGE SPECIFICATIONS – AC**

| Standard Operating Conditions (unless otherwise stated) |  |
|---|--|
| <b>AC CHARACTERISTICS</b>                               | Operating temperature $-40^{\circ}\text{C} \leq T_A \leq +85^{\circ}\text{C}$ for industrial                     |
|   | Operating voltage $V_{DD}$ range as described in <a href="#">Section 30.1</a> and <a href="#">Section 30.3</a> . |

**FIGURE 30-4: LOAD CONDITIONS FOR DEVICE TIMING SPECIFICATIONS**



# PIC18F46J50 FAMILY

## 30.4.3 TIMING DIAGRAMS AND SPECIFICATIONS

**FIGURE 30-5: EXTERNAL CLOCK TIMING**



**TABLE 30-10: EXTERNAL CLOCK TIMING REQUIREMENTS**

| Param. No. | Symbol     | Characteristic                             | Min                 | Max               | Units | Conditions                           |
|------------|------------|--|---------------------|-------------------|-------|--------------------------------------|
| 1A         | FOSC       | External CLKI Frequency <sup>(1)</sup>     | DC                  | 48                | MHz   | EC Oscillator mode                   |
|            |            | Oscillator Frequency <sup>(1)</sup>        | DC                  | 48                | MHz   | ECPLL Oscillator mode <sup>(2)</sup> |
| 1          | TOSC       | External CLKI Period <sup>(1)</sup>        | 4                   | 16                | MHz   | HS Oscillator mode                   |
|            |            |  | 4                   | 16 <sup>(4)</sup> | MHz   | HSPLL Oscillator mode <sup>(3)</sup> |
|            |            | Oscillator Period <sup>(1)</sup>           | 20.8                | —                 | ns    | EC Oscillator mode                   |
|            |            |  | 20.8                | —                 | ns    | ECPLL Oscillator mode <sup>(2)</sup> |
| 2          | Tcy        | Instruction Cycle Time <sup>(1)</sup>      | 62.5                | 250               | ns    | HS Oscillator mode                   |
|            |            |  | 62.5 <sup>(4)</sup> | 250               | ns    | HSPLL Oscillator mode <sup>(3)</sup> |
| 3          | TosL, TosH | External Clock in (OSC1) High or Low Time  | 10                  | —                 | ns    | EC Oscillator mode                   |
| 4          | TosR, TosF | External Clock in (OSC1) Rise or Fall Time | —                   | 7.5               | ns    | EC Oscillator mode                   |

**Note 1:** The instruction cycle period (Tcy) equals four times the input oscillator time base period for all configurations except PLL. All specified values are based on characterization data for that particular oscillator type under standard operating conditions, with the device executing code. Exceeding these specified limits may result in an unstable oscillator operation and/or higher than expected current consumption. All devices are tested to operate at “min.” values with an external clock applied to the OSC1/CLKI pin. When an external clock input is used, the “max.” cycle time limit is “DC” (no clock) for all devices.

**2:** In order to use the PLL, the external clock frequency must be either 4, 8, 12, 16, 20, 24, 40 or 48 MHz.

**3:** In order to use the PLL, the crystal/resonator must produce a frequency of either 4, 8, 12 or 16 MHz.

**4:** This is the maximum crystal/resonator driver frequency. The internal FOSC frequency when running from the PLL can be up to 48 MHz.

# PIC18F46J50 FAMILY

**TABLE 30-11: PLL CLOCK TIMING SPECIFICATIONS (VDDCORE = 2.35V TO 2.75V)**

| Param No. | Sym             | Characteristic                    | Min | Typ              | Max | Units | Conditions |
|-----------|-----------------|-----------------------------------|-----|------------------|-----|-------|------------|
| F10       | FPLLIN          | PLL Input Frequency Range         | —   | 4 <sup>(1)</sup> | —   | MHz   |            |
| F11       | FPLLO           | PLL Output Frequency (24x FPLLIN) | —   | 96               | —   | MHz   |            |
| F12       | t <sub>rc</sub> | PLL Start-up Time (lock time)     | —   | —                | 2   | ms    |            |

**Note 1:** PLL is designed for 4 MHz input frequency, but can accept 4 MHz to 48 MHz inputs using the PLL input prescaler.

**TABLE 30-12: INTERNAL RC ACCURACY (INTOSC AND INTRC SOURCES)**

| Param No. | Device  | Min  | Typ     | Max  | Units | Conditions     |  |
|-----------|---|------|---------|------|-------|----------------|--|
|           | INTOSC Accuracy @ Freq = 8 MHz, 4 MHz, 2 MHz, 1 MHz, 500 kHz, 250 kHz, 125 kHz, 31 kHz <sup>(1)</sup> |      |         |      |       |                |  |
|           | All Devices   | -1   | +/-0.15 | +1   | %     | 0°C to +85°C   | VDD = 2.4V-3.6V<br>VDDCORE = 2.3V-2.7V |
|           |   | -1   | +/-0.25 | +1   | %     | -40°C to +85°C | VDD = 2.0V-3.6V<br>VDDCORE = 2.0V-2.7V |
|           | INTRC Accuracy @ Freq = 31 kHz <sup>(1)</sup>   |      |         |      |       |                |  |
|           | All Devices   | 20.3 | —       | 42.2 | kHz   | -40°C to +85°C | VDD = 2.0V-3.6V<br>VDDCORE = 2.0V-2.7V |

**Note 1:** The accuracy specification of the 31 kHz clock is determined by which source is providing it at a given time. When INTSRC (OSCTUNE<7>) is '1', use the INTOSC accuracy specification. When INTSRC is '0', use the INTRC accuracy specification.

# PIC18F46J50 FAMILY

**FIGURE 30-6: CLKO AND I/O TIMING**



**TABLE 30-13: CLKO AND I/O TIMING REQUIREMENTS**

| Param No. | Symbol   | Characteristic  | Min                | Typ | Max               | Units | Conditions |
|-----------|----------|---|--------------------|-----|-------------------|-------|------------|
| 10        | TosH2ckL | OSC1 $\uparrow$ to CLKO $\downarrow$                                | —                  | 75  | 200               | ns    | (Note 1)   |
| 11        | TosH2ckH | OSC1 $\uparrow$ to CLKO $\uparrow$                                  | —                  | 75  | 200               | ns    | (Note 1)   |
| 12        | TckR     | CLKO Rise Time  | —                  | 15  | 30                | ns    | (Note 1)   |
| 13        | TckF     | CLKO Fall Time  | —                  | 15  | 30                | ns    | (Note 1)   |
| 14        | TckL2ioV | CLKO $\downarrow$ to Port Out Valid                                 | —                  | —   | $0.5 T_{CY} + 20$ | ns    |            |
| 15        | TioV2ckH | Port In Valid before CLKO $\uparrow$                                | $0.25 T_{CY} + 25$ | —   | —                 | ns    |            |
| 16        | TckH2ioI | Port In Hold after CLKO $\uparrow$                                  | 0                  | —   | —                 | ns    |            |
| 17        | TosH2ioV | OSC1 $\uparrow$ (Q1 cycle) to Port Out Valid                        | —                  | 50  | 150               | ns    |            |
| 18        | TosH2ioI | OSC1 $\uparrow$ (Q2 cycle) to Port Input Invalid (I/O in hold time) | 100                | —   | —                 | ns    |            |
| 19        | TioV2osH | Port Input Valid to OSC1 $\uparrow$ (I/O in setup time)             | 0                  | —   | —                 | ns    |            |
| 20        | TioR     | Port Output Rise Time   | —                  | —   | 6                 | ns    |            |
| 21        | TioF     | Port Output Fall Time   | —                  | —   | 5                 | ns    |            |
| 22†       | TINP     | INTx pin High or Low Time   | $T_{CY}$           | —   | —                 | ns    |            |
| 23†       | TRBP     | RB<7:4> Change INTx High or Low Time                                | $T_{CY}$           | —   | —                 | ns    |            |

† These parameters are asynchronous events not related to any internal clock edges.

**Note 1:** Measurements are taken in EC mode, where CLKO output is  $4 \times T_{osc}$ .



# PIC18F46J50 FAMILY

**FIGURE 30-7: RESET, WATCHDOG TIMER, OSCILLATOR START-UP TIMER AND POWER-UP TIMER TIMING**



**TABLE 30-14: RESET, WATCHDOG TIMER, OSCILLATOR START-UP TIMER, POWER-UP TIMER AND BROWN-OUT RESET REQUIREMENTS**

| Param. No. | Symbol           | Characteristic   | Min                   | Typ | Max                   | Units | Conditions                     |
|------------|------------------|--|-----------------------|-----|-----------------------|-------|--------------------------------|
| 30         | TMCL             | MCLR Pulse Width (low)                                   | 2                     | —   | —                     | μs    | (Note 3)                       |
| 31         | TWDT             | Watchdog Timer Time-out Period (no postscaler)           | 2.67                  | 4.0 | 5.53                  | ms    |                                |
| 32         | TOST             | Oscillator Start-up Timer Period                         | 1024 T <sub>osc</sub> | —   | 1024 T <sub>osc</sub> | —     | T <sub>osc</sub> = OSC1 period |
| 33         | TPWRT            | Power-up Timer Period                                    | —                     | 1.0 | —                     | ms    |                                |
| 34         | TIOZ             | I/O High-Impedance from MCLR Low or Watchdog Timer Reset | —                     | —   | 3 T <sub>cy</sub> + 2 | μs    | (Note 1)                       |
| 36         | TIRVST           | Time for Internal Reference Voltage to become Stable     | —                     | 20  | —                     | μs    |                                |
| 37         | TLVD             | High/Low-Voltage Detect Pulse Width                      | —                     | 200 | —                     | μs    |                                |
| 38         | T <sub>CSD</sub> | CPU Start-up Time  | —                     | 200 | —                     | μs    | (Note 2)                       |

**Note 1:** The maximum T<sub>IOZ</sub> is the lesser of (3 T<sub>cy</sub> + 2 μs) or 700 μs.

**Note 2:** MCLR rising edge to code execution, assuming TPWRT (and T<sub>OST</sub>, if applicable) has already expired.

**Note 3:** The MCLR input has an internal noise filter to avoid nuisance Resets. When deliberately trying to reset the microcontroller, MCLR must be held low for at least this amount of time to ensure a Reset sequence is triggered.

# PIC18F46J50 FAMILY

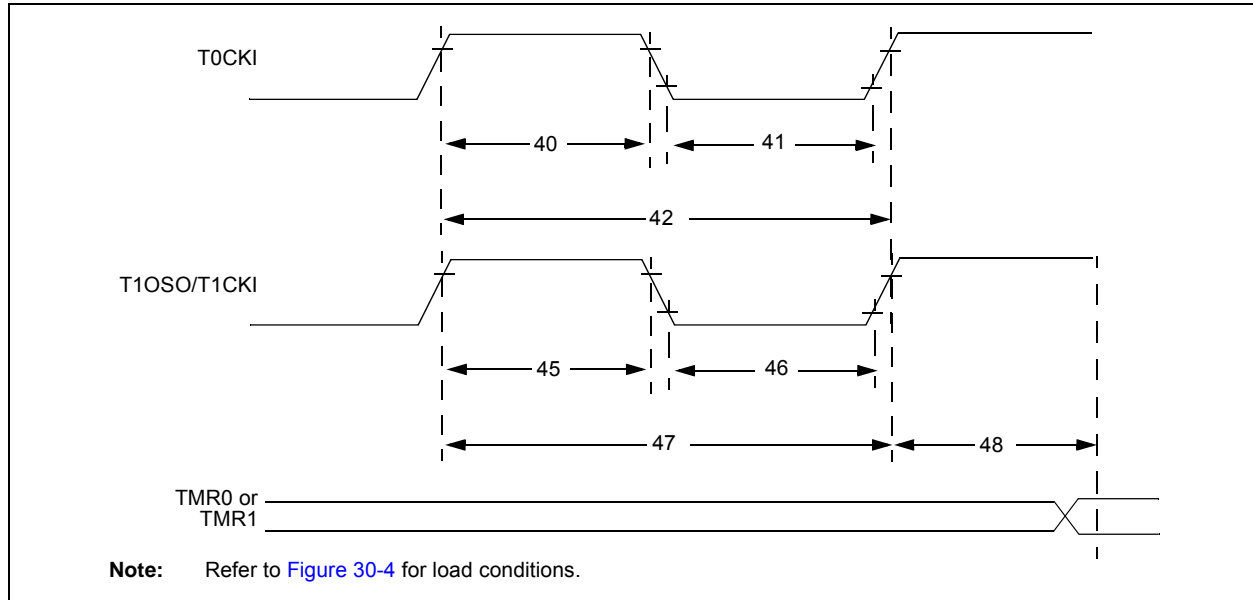
---

**TABLE 30-15: LOW-POWER WAKE-UP TIME**

| Param. No. | Symbol | Characteristic | Min | Typ         | Max | Units   | Conditions                                |
|------------|--------|----------------|-----|-------------|-----|---------|---|
| W1         | WDS    | Deep Sleep     | —   | 1.5 ms      | —   | ms      | REGSLP = 1                                |
| W2         | WSLEEP | Sleep          | —   | 300 $\mu$ s | —   | $\mu$ s | REGSLP = 1, PLEN = 0, Fosc = 8 MHz INTOSC |
| W3         | WDOZE1 | Sleep          | —   | 12 $\mu$ s  | —   | $\mu$ s | REGSLP = 0, PLEN = 0, Fosc = 8 MHz INTOSC |
| W4         | WDOZE2 | Sleep          | —   | 1.1 $\mu$ s | —   | $\mu$ s | REGSLP = 0, PLEN = 0, Fosc = 8 MHz EC     |
| W5         | WDOZE3 | Sleep          | —   | 250 ns      | —   | ns      | REGSLP = 0, PLEN = 0, Fosc = 48 MHz EC    |
| W6         | WIDLE  | Idle           | —   | 300 ns      | —   | ns      | Fosc = 48 MHz EC                          |

# PIC18F46J50 FAMILY

**FIGURE 30-8: TIMER0 AND TIMER1 EXTERNAL CLOCK TIMINGS**



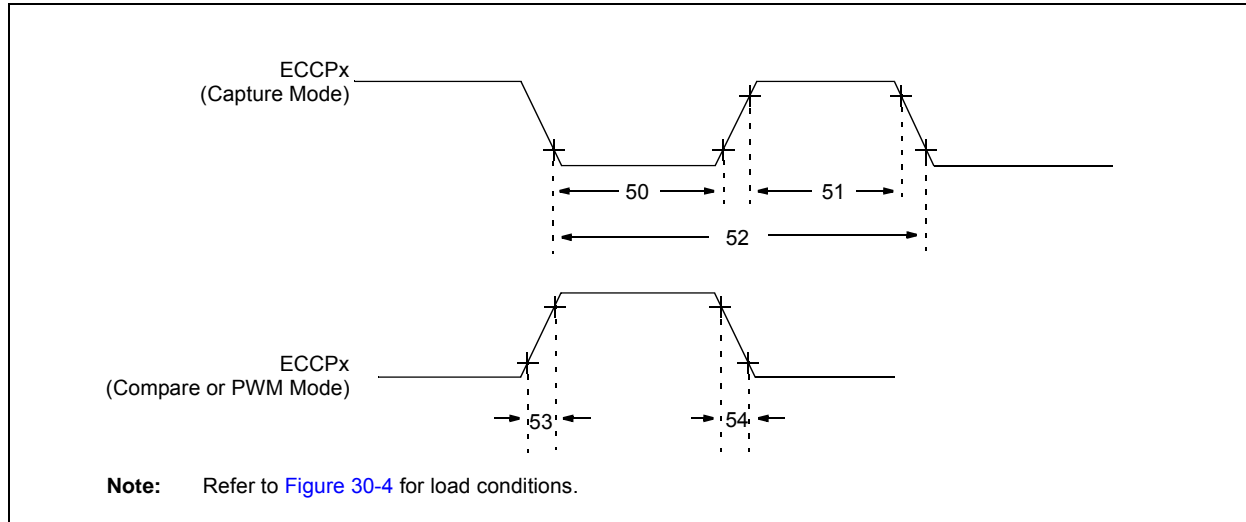
**TABLE 30-16: TIMER0 AND TIMER1 EXTERNAL CLOCK REQUIREMENTS**

| Param No. | Symbol                | Characteristic  |                             | Min  | Max         | Units | Conditions                         |
|-----------|-----------------------|---|-----------------------------|--|-------------|-------|------------------------------------|
| 40        | T <sub>T0H</sub>      | T0CKI High Pulse Width                                  | No prescaler                | $0.5 T_{CY} + 20$                            | —           | ns    |                                    |
|           |                       |   | With prescaler              | 10   | —           | ns    |                                    |
| 41        | T <sub>T0L</sub>      | T0CKI Low Pulse Width                                   | No prescaler                | $0.5 T_{CY} + 20$                            | —           | ns    |                                    |
|           |                       |   | With prescaler              | 10   | —           | ns    |                                    |
| 42        | T <sub>T0P</sub>      | T0CKI Period  | No prescaler                | $T_{CY} + 10$                                | —           | ns    |                                    |
|           |                       |   | With prescaler              | Greater of:<br>20 ns or<br>$(T_{CY} + 40)/N$ | —           | ns    |                                    |
| 45        | T <sub>T1H</sub>      | T1CKI/T3CKI High Time                                   | Synchronous, no prescaler   | $0.5 T_{CY} + 20$                            | —           | ns    |                                    |
|           |                       |   | Synchronous, with prescaler | 10   | —           | ns    |                                    |
|           |                       |   | Asynchronous                | 30   | —           | ns    |                                    |
| 46        | T <sub>T1L</sub>      | T1CKI/T3CKI Low Time                                    | Synchronous, no prescaler   | $0.5 T_{CY} + 5$                             | —           | ns    |                                    |
|           |                       |   | Synchronous, with prescaler | 10   | —           | ns    |                                    |
|           |                       |   | Asynchronous                | 30   | —           | ns    |                                    |
| 47        | T <sub>T1P</sub>      | T1CKI/T3CKI Input Period                                | Synchronous                 | Greater of:<br>20 ns or<br>$(T_{CY} + 40)/N$ | —           | ns    | N = prescale value<br>(1, 2, 4, 8) |
|           |                       |   | Asynchronous                | 83   | —           | ns    |                                    |
|           | FT1                   | T1CKI Input Frequency Range <sup>(1)</sup>              |                             | DC   | 12          | MHz   |                                    |
| 48        | T <sub>CKE2TMR1</sub> | Delay from External T1CKI Clock Edge to Timer Increment |                             | $2 T_{OSC}$                                  | $7 T_{OSC}$ | —     |                                    |

**Note 1:** The Timer1 oscillator is designed to drive 32.768 kHz crystals. When T1CKI is used as a digital input, frequencies up to 12 MHz are supported.

# PIC18F46J50 FAMILY

**FIGURE 30-9: ENHANCED CAPTURE/COMPARE/PWM TIMINGS**



**TABLE 30-17: ENHANCED CAPTURE/COMPARE/PWM REQUIREMENTS**

| Param No. | Symbol | Characteristic         | Min                       | Max               | Units | Conditions                      |
|-----------|--------|------------------------|---------------------------|-------------------|-------|---------------------------------|
| 50        | TccL   | ECCPx Input Low Time   | No prescaler              | $0.5 T_{CY} + 20$ | —     | ns                              |
|           |        | With prescaler         | 10                        | —                 | ns    |                                 |
| 51        | TccH   | ECCPx Input High Time  | No prescaler              | $0.5 T_{CY} + 20$ | —     | ns                              |
|           |        | With prescaler         | 10                        | —                 | ns    |                                 |
| 52        | TccP   | ECCPx Input Period     | $\frac{3 T_{CY} + 40}{N}$ | —                 | ns    | N = prescale value (1, 4 or 16) |
| 53        | TccR   | ECCPx Output Rise Time | —                         | 25                | ns    |                                 |
| 54        | TccF   | ECCPx Output Fall Time | —                         | 25                | ns    |                                 |

# PIC18F46J50 FAMILY

**FIGURE 30-10: PARALLEL MASTER PORT READ TIMING DIAGRAM**



**TABLE 30-18: PARALLEL MASTER PORT READ TIMING REQUIREMENTS**

| Param. No | Symbol | Characteristics  | Min | Typ                  | Max | Units |
|-----------|--------|--|-----|----------------------|-----|-------|
| PM1       |        | PMALL/PMALH Pulse Width  | —   | 0.5 T <sub>cy</sub>  | —   | ns    |
| PM2       |        | Address Out Valid to PMALL/PMALH Invalid (address setup time)  | —   | 0.75 T <sub>cy</sub> | —   | ns    |
| PM3       |        | PMALL/PMALH Invalid to Address Out Invalid (address hold time) | —   | 0.25 T <sub>cy</sub> | —   | ns    |
| PM5       |        | PMRD Pulse Width   | —   | 0.5 T <sub>cy</sub>  | —   | ns    |
| PM6       |        | Data in Valid to PMRD or PMENB Invalid (data setup time)       | —   | —                    | —   | ns    |
| PM7       |        | PMRD or PMENB Inactive to Data In Invalid (data hold time)     | —   | —                    | 5   | ns    |

# PIC18F46J50 FAMILY

**FIGURE 30-11: PARALLEL MASTER PORT WRITE TIMING DIAGRAM**



**TABLE 30-19: PARALLEL MASTER PORT WRITE TIMING REQUIREMENTS**

| Param. No | Symbol | Characteristics   | Min                 | Typ                  | Max | Units |
|-----------|--------|---|---------------------|----------------------|-----|-------|
| PM11      |        | PMWR Pulse Width  | —                   | 0.5 T <sub>CY</sub>  | —   | ns    |
| PM12      |        | Data Out Valid before PMWR or PMENB goes Inactive (data setup time) | —                   | 0.75 T <sub>CY</sub> | —   | ns    |
| PM13      |        | PMWR or PMEMB Invalid to Data Out Invalid (data hold time)          | —                   | 0.25 T <sub>CY</sub> | —   | ns    |
| PM16      |        | PMCS Pulse Width  | T <sub>CY</sub> - 5 | —                    | —   | ns    |

# PIC18F46J50 FAMILY

**FIGURE 30-12: PARALLEL SLAVE PORT TIMING**

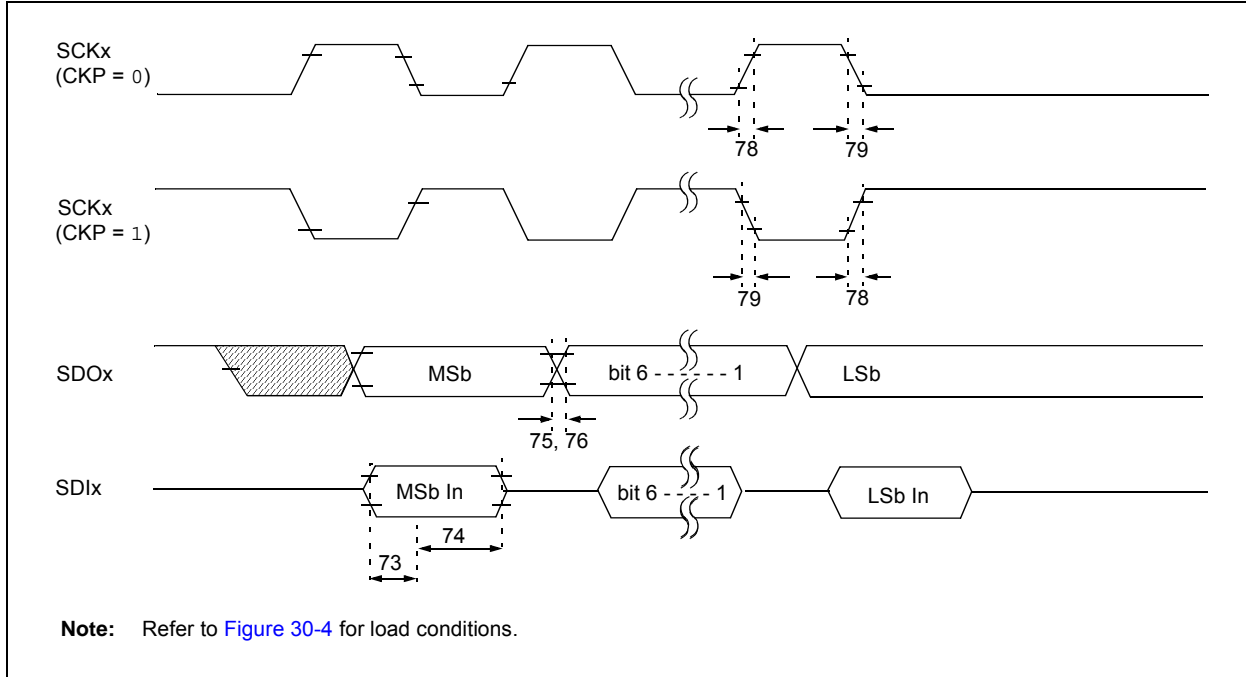


**TABLE 30-20: PARALLEL SLAVE PORT REQUIREMENTS**

| AC CHARACTERISTICS |          |   | Standard Operating Conditions: 2.0V to 3.6V<br>(unless otherwise stated)<br>Operating temperature $-40^{\circ}\text{C} \leq T_A \leq +85^{\circ}\text{C}$ for Industrial |     |     |       |            |
|--------------------|----------|---|--|-----|-----|-------|------------|
| Param. No.         | Symbol   | Characteristic  | Min  | Typ | Max | Units | Conditions |
| PS1                | TdtV2wrH | Data In Valid before $\overline{\text{PMWR}}$ or $\overline{\text{PMCS}}$ Inactive (setup time) | 20   | —   | —   | ns    |            |
| PS2                | TwrH2dtI | $\overline{\text{PMWR}}$ or $\overline{\text{PMCS}}$ Inactive to Data-In Invalid (hold time)    | 20   | —   | —   | ns    |            |
| PS3                | TrdL2dtV | $\overline{\text{PMRD}}$ and $\overline{\text{PMCS}}$ Active to Data-Out Valid                  | —  | —   | 80  | ns    |            |
| PS4                | TrdH2dtI | $\overline{\text{PMRD}}$ Inactive or $\overline{\text{PMCS}}$ Inactive to Data-Out Invalid      | 10   | —   | 30  | ns    |            |

# PIC18F46J50 FAMILY

**FIGURE 30-13: EXAMPLE SPI MASTER MODE TIMING (CKE = 0)**



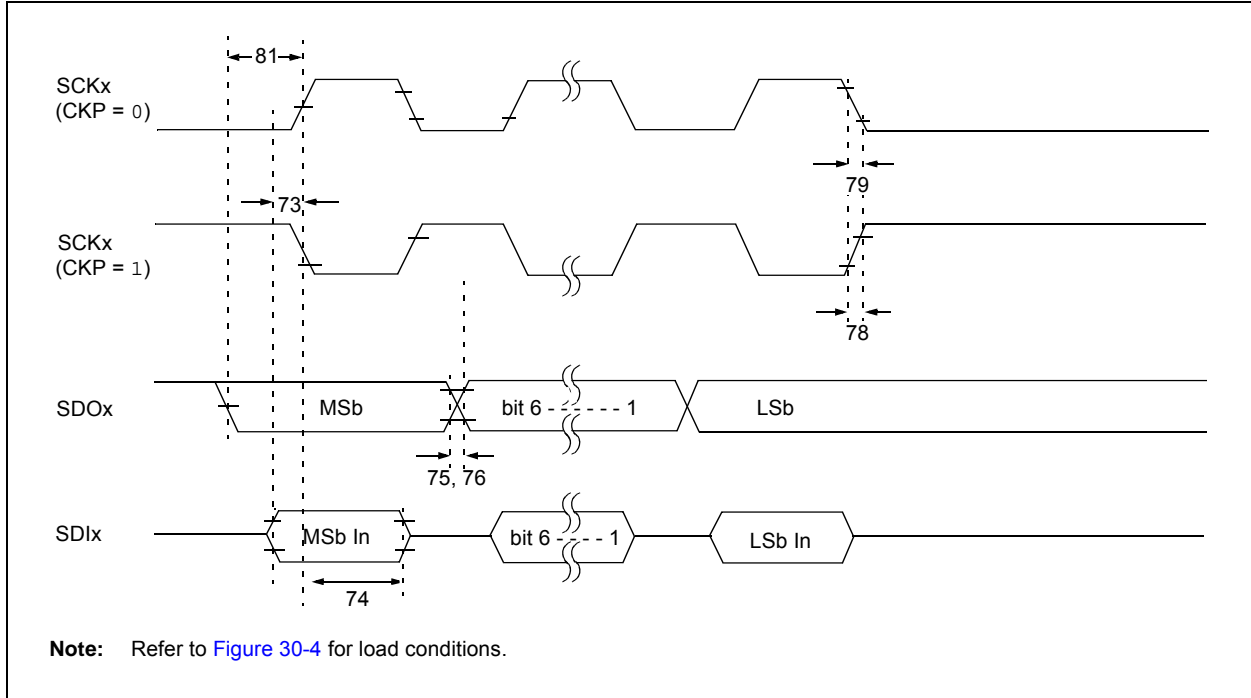
**TABLE 30-21: EXAMPLE SPI MODE REQUIREMENTS (MASTER MODE, CKE = 0)**

| Param No. | Symbol   | Characteristic                             | Min | Max | Units | Conditions  |
|-----------|--|--|-----|-----|-------|---|
| 73        | T <sub>DI</sub> V2SCH,<br>T <sub>DI</sub> V2sCL                          | Setup Time of SDIx Data Input to SCKx Edge | 35  | —   | ns    | V <sub>DD</sub> = 3.3V,<br>V <sub>DDCORE</sub> = 2.5V   |
|           |  |  | 100 | —   | ns    | V <sub>DD</sub> = 2.15V,<br>V <sub>DDCORE</sub> = 2.15V |
| 74        | T <sub>SCH</sub> 2DI <sub>L</sub> ,<br>T <sub>sCL</sub> 2DI <sub>L</sub> | Hold Time of SDIx Data Input to SCKx Edge  | 30  | —   | ns    | V <sub>DD</sub> = 3.3V,<br>V <sub>DDCORE</sub> = 2.5V   |
|           |  |  | 83  | —   | ns    | V <sub>DD</sub> = 2.15V                                 |
| 75        | T <sub>DO</sub> R  | SDOx Data Output Rise Time                 | —   | 25  | ns    | PORTB or PORTC  |
| 76        | T <sub>DO</sub> F  | SDOx Data Output Fall Time                 | —   | 25  | ns    | PORTB or PORTC  |
| 78        | T <sub>sC</sub> R  | SCKx Output Rise Time (Master mode)        | —   | 25  | ns    | PORTB or PORTC  |
| 79        | T <sub>sC</sub> F  | SCKx Output Fall Time (Master mode)        | —   | 25  | ns    | PORTB or PORTC  |



# PIC18F46J50 FAMILY

**FIGURE 30-14: EXAMPLE SPI MASTER MODE TIMING (CKE = 1)**



**TABLE 30-22: EXAMPLE SPI MODE REQUIREMENTS (MASTER MODE, CKE = 1)**

| Param. No. | Symbol                | Characteristic                             | Min | Max | Units | Conditions                      |
|------------|-----------------------|--|-----|-----|-------|---------------------------------|
| 73         | TdiV2sCH,<br>TdiV2sCL | Setup Time of SDIx Data Input to SCKx Edge | 35  | —   | ns    | VDD = 3.3V,<br>VDDCORE = 2.5V   |
|            |                       |  | 100 | —   | ns    | VDD = 2.15V,<br>VDDCORE = 2.15V |
| 74         | Tsch2diL,<br>TscL2diL | Hold Time of SDIx Data Input to SCKx Edge  | 30  | —   | ns    | VDD = 3.3V,<br>VDDCORE = 2.5V   |
|            |                       |  | 83  | —   | ns    | VDD = 2.15V                     |
| 75         | TdoR                  | SDOx Data Output Rise Time                 | —   | 25  | ns    | PORTB or PORTC                  |
| 76         | TdoF                  | SDOx Data Output Fall Time                 | —   | 25  | ns    | PORTB or PORTC                  |
| 78         | TscR                  | SCKx Output Rise Time (Master mode)        | —   | 25  | ns    | PORTB or PORTC                  |
| 79         | TscF                  | SCKx Output Fall Time (Master mode)        | —   | 25  | ns    | PORTB or PORTC                  |
| 81         | TdoV2sCH,<br>TdoV2sCL | SDOx Data Output Setup to SCKx Edge        | Tcy | —   | ns    |                                 |

# PIC18F46J50 FAMILY

**FIGURE 30-15: EXAMPLE SPI SLAVE MODE TIMING (CKE = 0)**



**TABLE 30-23: EXAMPLE SPI MODE REQUIREMENTS (SLAVE MODE TIMING, CKE = 0)**

| Param No. | Symbol             | Characteristic  | Min          | Max           | Units | Conditions     |                            |
|-----------|--------------------|---|--------------|---------------|-------|----------------|----------------------------|
| 70        | TssL2scH, TssL2scL | $\overline{SSx} \downarrow$ to SCKx $\downarrow$ or SCKx $\uparrow$ Input | 3 Tcy        | —             | ns    |                |                            |
| 70A       | TssL2WB            | $\overline{SSx} \downarrow$ to Write to SSPxBUF                           | 3 Tcy        | —             | ns    |                |                            |
| 71        | Tsch               | SCKx Input High Time  | Continuous   | 1.25 Tcy + 30 | —     | ns             |                            |
| 71A       |                    | (Slave mode)  | Single byte  | 40            | —     | ns (Note 1)    |                            |
| 72        | TscL               | SCKx Input Low Time   | Continuous   | 1.25 Tcy + 30 | —     | ns             |                            |
| 72A       |                    | (Slave mode)  | Single byte  | 40            | —     | ns (Note 1)    |                            |
| 73        | TdIV2scH, TdIV2scL | Setup Time of SDIx Data Input to SCKx Edge                                | 25           | —             | ns    |                |                            |
| 73A       | Tb2B               | Last Clock Edge of Byte 1 to the First Clock Edge of Byte 2               | 1.5 Tcy + 40 | —             | ns    | (Note 2)       |                            |
| 74        | Tsch2dIL, TscL2dIL | Hold Time of SDIx Data Input to SCKx Edge                                 |              | 35            | —     | ns             | VDD = 3.3V, VDDCORE = 2.5V |
|           |                    |   |              |               | 100   | —              | ns                         |
| 75        | TdoR               | SDOx Data Output Rise Time  | —            | 25            | ns    | PORTB or PORTC |                            |
| 76        | TdoF               | SDOx Data Output Fall Time  | —            | 25            | ns    | PORTB or PORTC |                            |
| 77        | TssH2doZ           | $\overline{SSx} \uparrow$ to SDOx Output High-Impedance                   | 10           | 70            | ns    |                |                            |
| 80        | Tsch2doV, TscL2doV | SDOx Data Output Valid after SCKx Edge                                    |              | —             | 50    | ns             | VDD = 3.3V, VDDCORE = 2.5V |
|           |                    |   |              |               | —     | 100            | ns                         |
| 83        | Tsch2ssH, TscL2ssH | $\overline{SSx} \uparrow$ after SCKx Edge                                 | 1.5 Tcy + 40 | —             | ns    |                |                            |

**Note 1:** Requires the use of Parameter #73A.

**Note 2:** Only if Parameter #71A and #72A are used.

# PIC18F46J50 FAMILY

**FIGURE 30-16: EXAMPLE SPI SLAVE MODE TIMING (CKE = 1)**



**TABLE 30-24: EXAMPLE SPI SLAVE MODE REQUIREMENTS (CKE = 1)**

| Param No. | Symbol             | Characteristic  | Min                      | Max                       | Units | Conditions   |
|-----------|--------------------|---|--------------------------|---------------------------|-------|--|
| 70        | TssL2sch, TssL2scL | SSx ↓ to SCKx ↓ or SCKx ↑ Input                             | 3 T <sub>cy</sub>        | —                         | ns    |  |
| 70A       | TssL2WB            | SSx ↓ to Write to SSPxBUF                                   | 3 T <sub>cy</sub>        | —                         | ns    |  |
| 71        | TschH              | SCKx Input High Time (Slave mode)                           | Continuous               | 1.25 T <sub>cy</sub> + 30 | —     | ns   |
| 71A       |                    |   | Single byte              | 40                        | —     | ns   |
| 72        | TscL               | SCKx Input Low Time (Slave mode)                            | Continuous               | 1.25 T <sub>cy</sub> + 30 | —     | ns   |
| 72A       |                    |   | Single byte              | 40                        | —     | ns   |
| 73        | TdIV2sch, TdIV2scL | Setup Time of SDIx Data Input to SCKx Edge                  | 25                       | —                         | ns    |  |
| 73A       | Tb2B               | Last Clock Edge of Byte 1 to the First Clock Edge of Byte 2 | 1.5 T <sub>cy</sub> + 40 | —                         | ns    | (Note 2)   |
| 74        | Tsch2diL, TscL2diL | Hold Time of SDIx Data Input to SCKx Edge                   | 35                       | —                         | ns    | V <sub>DD</sub> = 3.3V, V <sub>DDCORE</sub> = 2.5V |
|           |                    |   | 100                      | —                         | ns    | V <sub>DD</sub> = 2.15V                            |
| 75        | TdoR               | SDOx Data Output Rise Time                                  | —                        | 25                        | ns    |  |
| 76        | TdoF               | SDOx Data Output Fall Time                                  | —                        | 25                        | ns    |  |
| 77        | TssH2doZ           | SSx ↑ to SDOx Output High-Impedance                         | 10                       | 70                        | ns    |  |
| 80        | Tsch2doV, TscL2doV | SDOx Data Output Valid after SCKx Edge                      | —                        | 50                        | ns    | V <sub>DD</sub> = 3.3V, V <sub>DDCORE</sub> = 2.5V |
|           |                    |   | —                        | 100                       | ns    | V <sub>DD</sub> = 2.15V                            |
| 81        | TdoV2sch, TdoV2scL | SDOx Data Output Setup to SCKx Edge                         | T <sub>cy</sub>          | —                         | ns    |  |
| 82        | TssL2doV           | SDOx Data Output Valid after SSx ↓ Edge                     | —                        | 50                        | ns    |  |
| 83        | Tsch2ssH, TscL2ssH | SSx ↑ after SCKx Edge                                       | 1.5 T <sub>cy</sub> + 40 | —                         | ns    |  |

**Note 1:** Requires the use of Parameter #73A.

**Note 2:** Only if Parameter #71A and #72A are used.

# PIC18F46J50 FAMILY

**FIGURE 30-17: I<sup>2</sup>C™ BUS START/STOP BITS TIMING**



**TABLE 30-25: I<sup>2</sup>C™ BUS START/STOP BITS REQUIREMENTS (SLAVE MODE)**

| Param. No. | Symbol  | Characteristic             | Min          | Max  | Units | Conditions |   |
|------------|---------|----------------------------|--------------|------|-------|------------|---|
| 90         | TSU:STA | Start Condition Setup Time | 100 kHz mode | 4700 | —     | ns         | Only relevant for Repeated Start condition            |
|            |         |                            | 400 kHz mode | 600  | —     |            |   |
| 91         | THD:STA | Start Condition Hold Time  | 100 kHz mode | 4000 | —     | ns         | After this period, the first clock pulse is generated |
|            |         |                            | 400 kHz mode | 600  | —     |            |   |
| 92         | TSU:STO | Stop Condition Setup Time  | 100 kHz mode | 4700 | —     | ns         |   |
|            |         |                            | 400 kHz mode | 600  | —     |            |   |
| 93         | THD:STO | Stop Condition Hold Time   | 100 kHz mode | 4000 | —     | ns         |   |
|            |         |                            | 400 kHz mode | 600  | —     |            |   |

**FIGURE 30-18: I<sup>2</sup>C™ BUS DATA TIMING**



# PIC18F46J50 FAMILY

**TABLE 30-26: I<sup>2</sup>C™ BUS DATA REQUIREMENTS (SLAVE MODE)**

| Param. No. | Symbol  | Characteristic             | Min          | Max                     | Units | Conditions |
|------------|---------|----------------------------|--------------|-------------------------|-------|------------|
| 100        | THIGH   | Clock High Time            | 100 kHz mode | 4.0                     | —     | μs         |
|            |         |                            | 400 kHz mode | 0.6                     | —     | μs         |
|            |         |                            | MSSP modules | 1.5 T <sub>CY</sub>     | —     |            |
| 101        | TLOW    | Clock Low Time             | 100 kHz mode | 4.7                     | —     | μs         |
|            |         |                            | 400 kHz mode | 1.3                     | —     | μs         |
|            |         |                            | MSSP modules | 1.5 T <sub>CY</sub>     | —     |            |
| 102        | TR      | SDAx and SCLx Rise Time    | 100 kHz mode | —                       | 1000  | ns         |
|            |         |                            | 400 kHz mode | 20 + 0.1 C <sub>B</sub> | 300   | ns         |
| 103        | TF      | SDAx and SCLx Fall Time    | 100 kHz mode | —                       | 300   | ns         |
|            |         |                            | 400 kHz mode | 20 + 0.1 C <sub>B</sub> | 300   | ns         |
| 90         | TSU:STA | Start Condition Setup Time | 100 kHz mode | 4.7                     | —     | μs         |
|            |         |                            | 400 kHz mode | 0.6                     | —     | μs         |
| 91         | THD:STA | Start Condition Hold Time  | 100 kHz mode | 4.0                     | —     | μs         |
|            |         |                            | 400 kHz mode | 0.6                     | —     | μs         |
| 106        | THD:DAT | Data Input Hold Time       | 100 kHz mode | 0                       | —     | ns         |
|            |         |                            | 400 kHz mode | 0                       | 0.9   | μs         |
| 107        | TSU:DAT | Data Input Setup Time      | 100 kHz mode | 250                     | —     | ns         |
|            |         |                            | 400 kHz mode | 100                     | —     | ns         |
| 92         | TSU:STO | Stop Condition Setup Time  | 100 kHz mode | 4.7                     | —     | μs         |
|            |         |                            | 400 kHz mode | 0.6                     | —     | μs         |
| 109        | TAA     | Output Valid from Clock    | 100 kHz mode | —                       | 3500  | ns         |
|            |         |                            | 400 kHz mode | —                       | —     | ns         |
| 110        | TBUF    | Bus Free Time              | 100 kHz mode | 4.7                     | —     | μs         |
|            |         |                            | 400 kHz mode | 1.3                     | —     | μs         |
| D102       | CB      | Bus Capacitive Loading     | —            | 400                     | pF    |            |

- Note 1:** As a transmitter, the device must provide this internal minimum delay time to bridge the undefined region (min. 300 ns) of the falling edge of SCLx to avoid unintended generation of Start or Stop conditions.
- 2:** A Fast mode I<sup>2</sup>C™ bus device can be used in a Standard mode I<sup>2</sup>C bus system, but the requirement, TSU:DAT ≥ 250 ns, must then be met. This will automatically be the case if the device does not stretch the LOW period of the SCLx signal. If such a device does stretch the LOW period of the SCLx signal, it must output the next data bit to the SDAx line, TR max. + TSU:DAT = 1000 + 250 = 1250 ns (according to the Standard mode I<sup>2</sup>C bus specification), before the SCLx line is released.

# PIC18F46J50 FAMILY

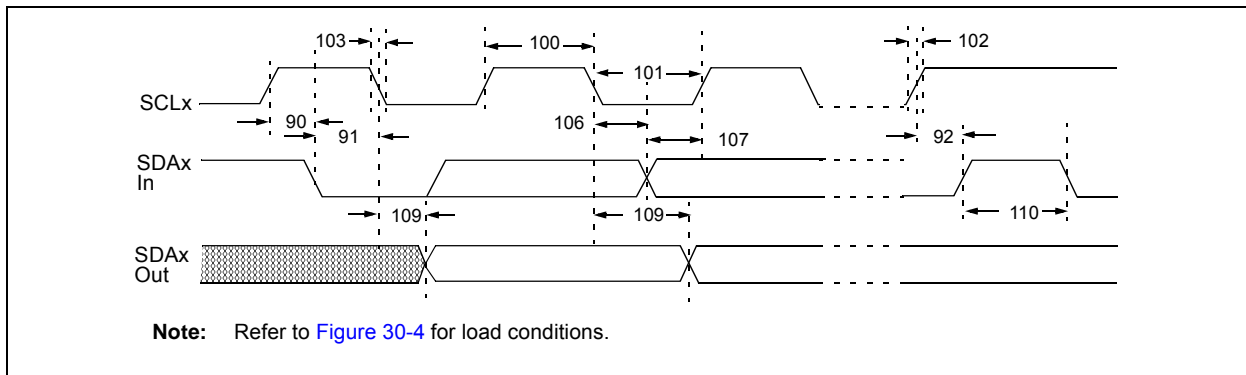
**FIGURE 30-19: MSSPx I<sup>2</sup>C™ BUS START/STOP BITS TIMING WAVEFORMS**



**TABLE 30-27: MSSPx I<sup>2</sup>C™ BUS START/STOP BITS REQUIREMENTS**

| Param. No. | Symbol  | Characteristic             | Min          | Max                   | Units | Conditions |   |
|------------|---------|----------------------------|--------------|-----------------------|-------|------------|---|
| 90         | TSU:STA | Start Condition Setup Time | 100 kHz mode | $2(T_{osc})(BRG + 1)$ | —     | ns         | Only relevant for Repeated Start condition            |
|            |         |                            | 400 kHz mode | $2(T_{osc})(BRG + 1)$ | —     |            |   |
| 91         | THD:STA | Start Condition Hold Time  | 100 kHz mode | $2(T_{osc})(BRG + 1)$ | —     | ns         | After this period, the first clock pulse is generated |
|            |         |                            | 400 kHz mode | $2(T_{osc})(BRG + 1)$ | —     |            |   |
| 92         | TSU:STO | Stop Condition Setup Time  | 100 kHz mode | $2(T_{osc})(BRG + 1)$ | —     | ns         |   |
|            |         |                            | 400 kHz mode | $2(T_{osc})(BRG + 1)$ | —     |            |   |
| 93         | THD:STO | Stop Condition Hold Time   | 100 kHz mode | $2(T_{osc})(BRG + 1)$ | —     | ns         |   |
|            |         |                            | 400 kHz mode | $2(T_{osc})(BRG + 1)$ | —     |            |   |

**FIGURE 30-20: MSSPx I<sup>2</sup>C™ BUS DATA TIMING**



# PIC18F46J50 FAMILY

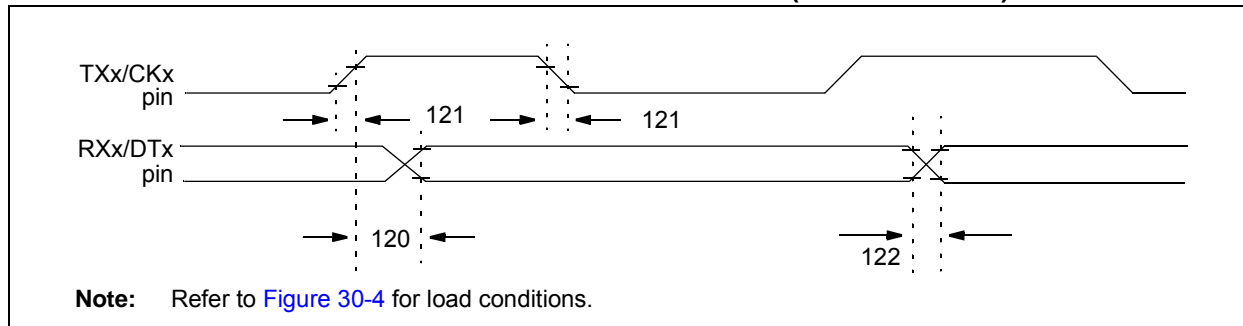
**TABLE 30-28: MSSPx I<sup>2</sup>C™ BUS DATA REQUIREMENTS**

| Param. No. | Symbol  | Characteristic             | Min          | Max                   | Units | Conditions |   |
|------------|---------|----------------------------|--------------|-----------------------|-------|------------|---|
| 100        | THIGH   | Clock High Time            | 100 kHz mode | $2(T_{osc})(BRG + 1)$ | —     | μs         |   |
|            |         |                            | 400 kHz mode | $2(T_{osc})(BRG + 1)$ | —     | μs         |   |
| 101        | TLOW    | Clock Low Time             | 100 kHz mode | $2(T_{osc})(BRG + 1)$ | —     | μs         |   |
|            |         |                            | 400 kHz mode | $2(T_{osc})(BRG + 1)$ | —     | μs         |   |
| 102        | TR      | SDAx and SCLx Rise Time    | 100 kHz mode | —                     | 1000  | ns         | Cb is specified to be from 10 to 400 pF                       |
|            |         |                            | 400 kHz mode | $20 + 0.1 C_b$        | 300   | ns         |   |
| 103        | TF      | SDAx and SCLx Fall Time    | 100 kHz mode | —                     | 300   | ns         | Cb is specified to be from 10 to 400 pF                       |
|            |         |                            | 400 kHz mode | $20 + 0.1 C_b$        | 300   | ns         |   |
| 90         | TSU:STA | Start Condition Setup Time | 100 kHz mode | $2(T_{osc})(BRG + 1)$ | —     | μs         | Only relevant for Repeated Start condition                    |
|            |         |                            | 400 kHz mode | $2(T_{osc})(BRG + 1)$ | —     | μs         |   |
| 91         | THD:STA | Start Condition Hold Time  | 100 kHz mode | $2(T_{osc})(BRG + 1)$ | —     | μs         | After this period, the first clock pulse is generated         |
|            |         |                            | 400 kHz mode | $2(T_{osc})(BRG + 1)$ | —     | μs         |   |
| 106        | THD:DAT | Data Input Hold Time       | 100 kHz mode | 0                     | —     | ns         |   |
|            |         |                            | 400 kHz mode | 0                     | 0.9   | μs         |   |
| 107        | TSU:DAT | Data Input Setup Time      | 100 kHz mode | 250                   | —     | ns         | <b>(Note 1)</b>   |
|            |         |                            | 400 kHz mode | 100                   | —     | ns         |   |
| 92         | TSU:STO | Stop Condition Setup Time  | 100 kHz mode | $2(T_{osc})(BRG + 1)$ | —     | μs         |   |
|            |         |                            | 400 kHz mode | $2(T_{osc})(BRG + 1)$ | —     | μs         |   |
| 109        | TAA     | Output Valid from Clock    | 100 kHz mode | —                     | 3500  | ns         |   |
|            |         |                            | 400 kHz mode | —                     | 1000  | ns         |   |
| 110        | TBUF    | Bus Free Time              | 100 kHz mode | 4.7                   | —     | μs         | Time the bus must be free before a new transmission can start |
|            |         |                            | 400 kHz mode | 1.3                   | —     | μs         |   |
| D102       | CB      | Bus Capacitive Loading     | —            | 400                   | pF    |            |   |

**Note 1:** A Fast mode I<sup>2</sup>C bus device can be used in a Standard mode I<sup>2</sup>C bus system, but **Parameter #107** ≥ 250 ns must then be met. This will automatically be the case if the device does not stretch the LOW period of the SCLx signal. If such a device does stretch the LOW period of the SCLx signal, it must output the next data bit to the SDAx line, **Parameter #102** + **Parameter #107** = 1000 + 250 = 1250 ns (for 100 kHz mode), before the SCLx line is released.

# PIC18F46J50 FAMILY

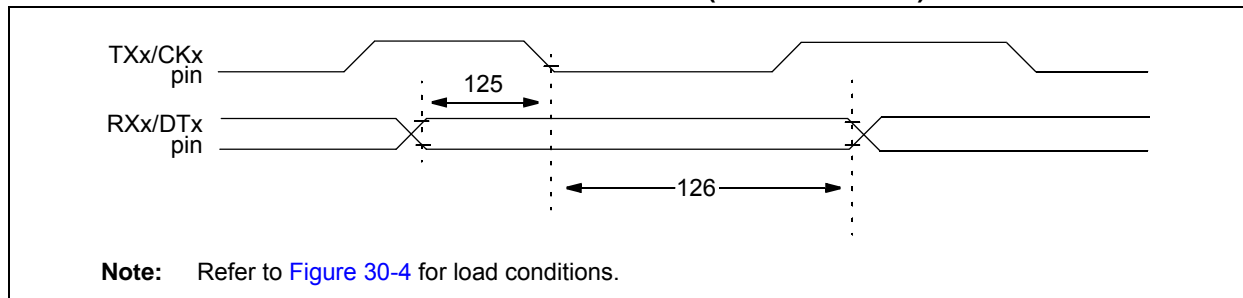
**FIGURE 30-21: EUSARTx SYNCHRONOUS TRANSMISSION (MASTER/SLAVE) TIMING**



**TABLE 30-29: EUSARTx SYNCHRONOUS TRANSMISSION REQUIREMENTS**

| Param No. | Symbol               | Characteristic   | Min | Max | Units | Conditions |
|-----------|----------------------|--|-----|-----|-------|------------|
| 120       | T <sub>CKH2DTV</sub> | Sync XMIT (Master and Slave)<br>Clock High to Data Out Valid | —   | 40  | ns    |            |
| 121       | T <sub>CKRF</sub>    | Clock Out Rise Time and Fall Time (Master mode)              | —   | 20  | ns    |            |
| 122       | T <sub>DTRF</sub>    | Data Out Rise Time and Fall Time                             | —   | 20  | ns    |            |

**FIGURE 30-22: EUSARTx SYNCHRONOUS RECEIVE (MASTER/SLAVE) TIMING**



**TABLE 30-30: EUSARTx SYNCHRONOUS RECEIVE REQUIREMENTS**

| Param. No. | Symbol               | Characteristic  | Min | Max | Units | Conditions |
|------------|----------------------|---|-----|-----|-------|------------|
| 125        | T <sub>DTV2CKL</sub> | Sync RCV (Master and Slave)<br>Data Hold before CKx ↓ (DTx hold time) | 10  | —   | ns    |            |
| 126        | T <sub>CKL2DTL</sub> | Data Hold after CKx ↓ (DTx hold time)                                 | 15  | —   | ns    |            |



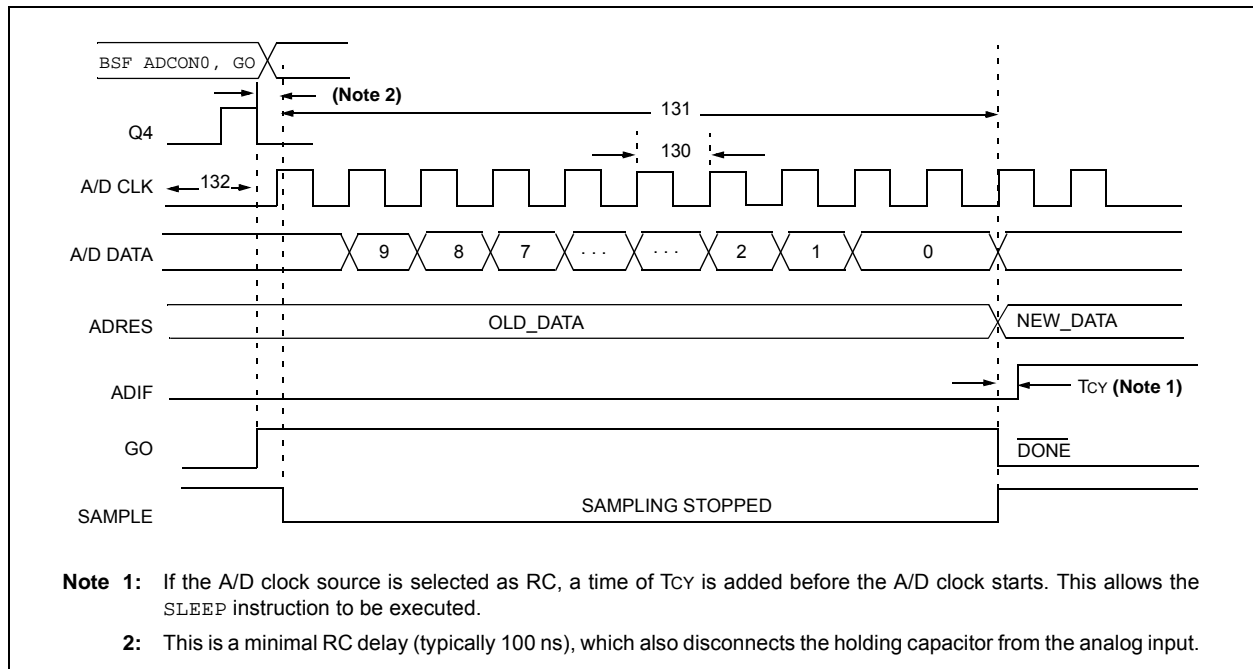
# PIC18F46J50 FAMILY

**TABLE 30-31: A/D CONVERTER CHARACTERISTICS: PIC18F46J50 FAMILY (INDUSTRIAL)**

| Param No. | Symbol           | Characteristic                                 | Min                       | Typ    | Max             | Units              | Conditions   |
|-----------|------------------|--|---------------------------|--------|-----------------|--------------------|--|
| A01       | NR               | Resolution                                     | —                         | —      | 10              | bit                | $\Delta V_{REF} \geq 3.0V$                               |
| A03       | EIL              | Integral Linearity Error                       | —                         | —      | $<\pm 1$        | LSb                | $\Delta V_{REF} \geq 3.0V$                               |
| A04       | EDL              | Differential Linearity Error                   | —                         | —      | $<\pm 1$        | LSb                | $\Delta V_{REF} \geq 3.0V$                               |
| A06       | E0FF             | Offset Error                                   | —                         | —      | $<\pm 3$        | LSb                | $\Delta V_{REF} \geq 3.0V$                               |
| A07       | EGN              | Gain Error                                     | —                         | —      | $<\pm 3.5$      | LSb                | $\Delta V_{REF} \geq 3.0V$                               |
| A10       |                  | Monotonicity                                   | Guaranteed <sup>(1)</sup> |        |                 | —                  | $V_{SS} \leq V_{AIN} \leq V_{REF}$                       |
| A20       | $\Delta V_{REF}$ | Reference Voltage Range (VREFH – VREFL)        | 2.0<br>3                  | —<br>— | —<br>—          | V<br>V             | $V_{DD} < 3.0V$<br>$V_{DD} \geq 3.0V$                    |
| A21       | VREFH            | Reference Voltage High                         | VREFL                     | —      | $V_{DD} + 0.3V$ | V                  |  |
| A22       | VREFL            | Reference Voltage Low                          | $V_{SS} - 0.3V$           | —      | VREFH           | V                  |  |
| A25       | VAIN             | Analog Input Voltage                           | VREFL                     | —      | VREFH           | V                  |  |
| A30       | ZAIN             | Recommended Impedance of Analog Voltage Source | —                         | —      | 2.5             | k $\Omega$         |  |
| A50       | IREF             | VREF Input Current <sup>(2)</sup>              | —<br>—                    | —<br>— | 5<br>150        | $\mu A$<br>$\mu A$ | During VAIN acquisition.<br>During A/D conversion cycle. |

- Note 1:** The A/D conversion result never decreases with an increase in the input voltage and has no missing codes.  
**Note 2:** VREFH current is from RA3/AN3/VREF+/C1INB pin or VDD, whichever is selected as the VREFH source.  
VREFL current is from the RA2/AN2/VREF-/CVREF/C2INB pin or VSS, whichever is selected as the VREFL source.

**FIGURE 30-23: A/D CONVERSION TIMING**



# PIC18F46J50 FAMILY

**TABLE 30-32: A/D CONVERSION REQUIREMENTS**

| Param No. | Symbol | Characteristic  | Min | Max                 | Units | Conditions              |
|-----------|--------|---|-----|---------------------|-------|-------------------------|
| 130       | TAD    | A/D Clock Period  | 0.7 | 25.0 <sup>(1)</sup> | μs    | TOSC based, VREF ≥ 3.0V |
| 131       | TcNV   | Conversion Time (not including acquisition time) <sup>(2)</sup> | 11  | 12                  | TAD   |                         |
| 132       | TACQ   | Acquisition Time <sup>(3)</sup>                                 | 1.4 | —                   | μs    | -40°C to +85°C          |
| 135       | TswC   | Switching Time from Convert → Sample                            | —   | <b>(Note 4)</b>     |       |                         |
| 137       | TDIS   | Discharge Time  | 0.2 | —                   | μs    |                         |

- Note 1:** The time of the A/D clock period is dependent on the device frequency and the TAD clock divider.  
**Note 2:** ADRES registers may be read on the following Tcy cycle.  
**Note 3:** The time for the holding capacitor to acquire the “New” input voltage when the voltage changes full scale after the conversion (VDD to VSS or VSS to VDD). The source impedance (RS) on the input channels is 50Ω.  
**Note 4:** On the following cycle of the device clock.

**FIGURE 30-24: USB SIGNAL TIMING**



**TABLE 30-33: USB LOW-SPEED TIMING REQUIREMENTS**

| Param No. | Symbol | Characteristic          | Min | Typ | Max | Units | Conditions         |
|-----------|--------|-------------------------|-----|-----|-----|-------|--------------------|
|           | TLR    | Transition Rise Time    | 75  | —   | 300 | ns    | CL = 200 to 600 pF |
|           | TLF    | Transition Fall Time    | 75  | —   | 300 | ns    | CL = 200 to 600 pF |
|           | TLRFM  | Rise/Fall Time Matching | 80  | —   | 125 | %     |                    |

**TABLE 30-34: USB FULL-SPEED REQUIREMENTS**

| Param No. | Symbol | Characteristic          | Min | Typ | Max   | Units | Conditions |
|-----------|--------|-------------------------|-----|-----|-------|-------|------------|
|           | TFR    | Transition Rise Time    | 4   | —   | 20    | ns    | CL = 50 pF |
|           | TFF    | Transition Fall Time    | 4   | —   | 20    | ns    | CL = 50 pF |
|           | TFRFM  | Rise/Fall Time Matching | 90  | —   | 111.1 | %     |            |

# PIC18F46J50 FAMILY

## 31.0 PACKAGING INFORMATION

### 31.1 Package Marking Information

28-Lead SPDIP



Example



28-Lead SSOP



Example



28-Lead SOIC (.300")



Example



28-Lead QFN



Example

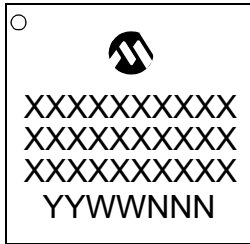


|                |   |  |
|----------------|---|--|
| <b>Legend:</b> | XX...X  | Customer-specific information  |
|                | Y   | Year code (last digit of calendar year)  |
|                | YY  | Year code (last 2 digits of calendar year)   |
|                | WW  | Week code (week of January 1 is week '01')   |
|                | NNN   | Alphanumeric traceability code   |
|                | *   | Pb-free JEDEC designator for Matte Tin (Sn)  |
|                |   | This package is Pb-free. The Pb-free JEDEC designator (e3) can be found on the outer packaging for this package. |
| <b>Note:</b>   | In the event the full Microchip part number cannot be marked on one line, it will be carried over to the next line, thus limiting the number of available characters for customer-specific information. |  |

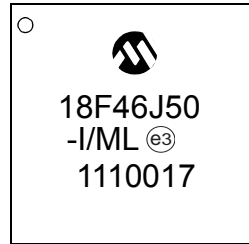
# PIC18F46J50 FAMILY

---

44-Lead QFN



Example



44-Lead TQFP



Example



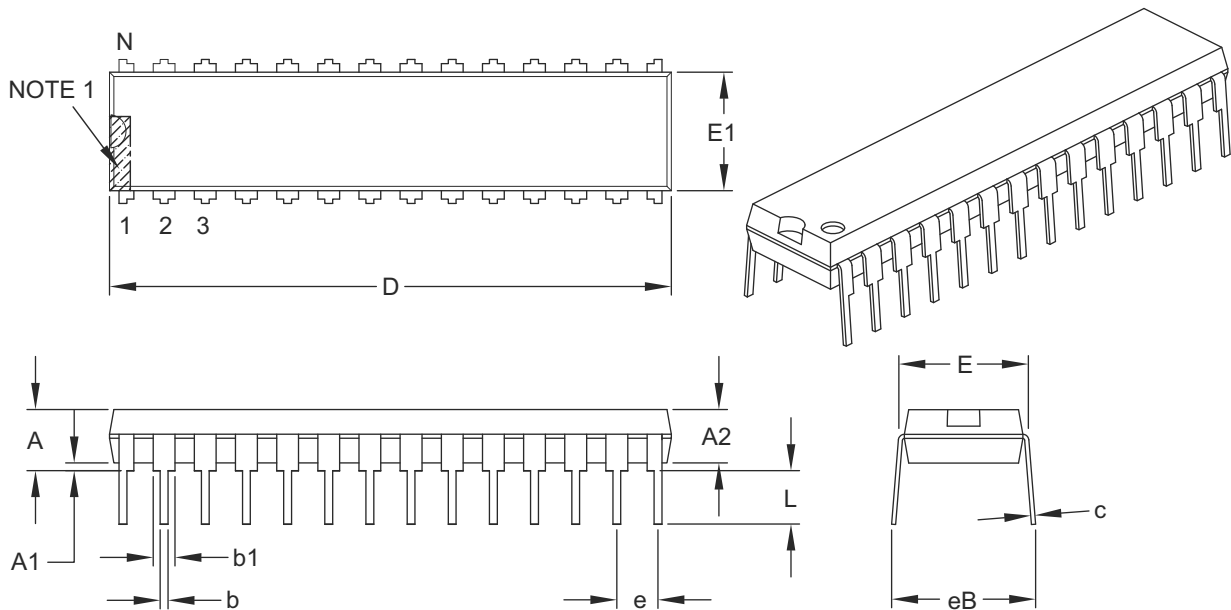
# PIC18F46J50 FAMILY

## 31.2 Package Details

The following sections give the technical details of the packages.

### 28-Lead Skinny Plastic Dual In-Line (SP) – 300 mil Body [SPDIP]

**Note:** For the most current package drawings, please see the Microchip Packaging Specification located at <http://www.microchip.com/packaging>



| Dimension Limits           | Units | INCHES   |       |       |
|----------------------------|-------|----------|-------|-------|
|                            |       | MIN      | NOM   | MAX   |
| Number of Pins             | N     | 28       |       |       |
| Pitch                      | e     | .100 BSC |       |       |
| Top to Seating Plane       | A     | –        | –     | .200  |
| Molded Package Thickness   | A2    | .120     | .135  | .150  |
| Base to Seating Plane      | A1    | .015     | –     | –     |
| Shoulder to Shoulder Width | E     | .290     | .310  | .335  |
| Molded Package Width       | E1    | .240     | .285  | .295  |
| Overall Length             | D     | 1.345    | 1.365 | 1.400 |
| Tip to Seating Plane       | L     | .110     | .130  | .150  |
| Lead Thickness             | c     | .008     | .010  | .015  |
| Upper Lead Width           | b1    | .040     | .050  | .070  |
| Lower Lead Width           | b     | .014     | .018  | .022  |
| Overall Row Spacing §      | eB    | –        | –     | .430  |

**Notes:**

1. Pin 1 visual index feature may vary, but must be located within the hatched area.
2. § Significant Characteristic.
3. Dimensions D and E1 do not include mold flash or protrusions. Mold flash or protrusions shall not exceed .010" per side.
4. Dimensioning and tolerancing per ASME Y14.5M.

BSC: Basic Dimension. Theoretically exact value shown without tolerances.

Microchip Technology Drawing C04-070B

# PIC18F46J50 FAMILY

## 28-Lead Plastic Shrink Small Outline (SS) – 5.30 mm Body [SSOP]

**Note:** For the most current package drawings, please see the Microchip Packaging Specification located at <http://www.microchip.com/packaging>



| Dimension Limits         | Units  | MILLIMETERS |       |       |
|--------------------------|--------|-------------|-------|-------|
|                          |        | MIN         | NOM   | MAX   |
| Number of Pins           | N      | 28          |       |       |
| Pitch                    | e      | 0.65 BSC    |       |       |
| Overall Height           | A      | –           | –     | 2.00  |
| Molded Package Thickness | A2     | 1.65        | 1.75  | 1.85  |
| Standoff                 | A1     | 0.05        | –     | –     |
| Overall Width            | E      | 7.40        | 7.80  | 8.20  |
| Molded Package Width     | E1     | 5.00        | 5.30  | 5.60  |
| Overall Length           | D      | 9.90        | 10.20 | 10.50 |
| Foot Length              | L      | 0.55        | 0.75  | 0.95  |
| Footprint                | L1     | 1.25 REF    |       |       |
| Lead Thickness           | c      | 0.09        | –     | 0.25  |
| Foot Angle               | $\phi$ | 0°          | 4°    | 8°    |
| Lead Width               | b      | 0.22        | –     | 0.38  |

**Notes:**

- Pin 1 visual index feature may vary, but must be located within the hatched area.
- Dimensions D and E1 do not include mold flash or protrusions. Mold flash or protrusions shall not exceed 0.20 mm per side.
- Dimensioning and tolerancing per ASME Y14.5M.

BSC: Basic Dimension. Theoretically exact value shown without tolerances.

REF: Reference Dimension, usually without tolerance, for information purposes only.

Microchip Technology Drawing C04-073B

# PIC18F46J50 FAMILY

28-Lead Plastic Shrink Small Outline (SS) - 5.30 mm Body [SSOP]

**Note:** For the most current package drawings, please see the Microchip Packaging Specification located at <http://www.microchip.com/packaging>



| Dimension Limits         | Units | MILLIMETERS |          |      |
|--------------------------|-------|-------------|----------|------|
|                          |       | MIN         | NOM      | MAX  |
| Contact Pitch            | E     |             | 0.65 BSC |      |
| Contact Pad Spacing      | C     |             | 7.20     |      |
| Contact Pad Width (X28)  | X1    |             |          | 0.45 |
| Contact Pad Length (X28) | Y1    |             |          | 1.75 |
| Distance Between Pads    | G     | 0.20        |          |      |

**Notes:**

1. Dimensioning and tolerancing per ASME Y14.5M

BSC: Basic Dimension. Theoretically exact value shown without tolerances.

Microchip Technology Drawing No. C04-2073A

# PIC18F46J50 FAMILY

## 28-Lead Plastic Small Outline (SO) – Wide, 7.50 mm Body [SOIC]

**Note:** For the most current package drawings, please see the Microchip Packaging Specification located at <http://www.microchip.com/packaging>



| Dimension Limits         | Units    | MILLIMETERS |     |      |
|--------------------------|----------|-------------|-----|------|
|                          |          | MIN         | NOM | MAX  |
| Number of Pins           | N        | 28          |     |      |
| Pitch                    | e        | 1.27 BSC    |     |      |
| Overall Height           | A        | –           | –   | 2.65 |
| Molded Package Thickness | A2       | 2.05        | –   | –    |
| Standoff §               | A1       | 0.10        | –   | 0.30 |
| Overall Width            | E        | 10.30 BSC   |     |      |
| Molded Package Width     | E1       | 7.50 BSC    |     |      |
| Overall Length           | D        | 17.90 BSC   |     |      |
| Chamfer (optional)       | h        | 0.25        | –   | 0.75 |
| Foot Length              | L        | 0.40        | –   | 1.27 |
| Footprint                | L1       | 1.40 REF    |     |      |
| Foot Angle Top           | $\phi$   | 0°          | –   | 8°   |
| Lead Thickness           | c        | 0.18        | –   | 0.33 |
| Lead Width               | b        | 0.31        | –   | 0.51 |
| Mold Draft Angle Top     | $\alpha$ | 5°          | –   | 15°  |
| Mold Draft Angle Bottom  | $\beta$  | 5°          | –   | 15°  |

**Notes:**

- Pin 1 visual index feature may vary, but must be located within the hatched area.
- § Significant Characteristic.
- Dimensions D and E1 do not include mold flash or protrusions. Mold flash or protrusions shall not exceed 0.15 mm per side.
- Dimensioning and tolerancing per ASME Y14.5M.

BSC: Basic Dimension. Theoretically exact value shown without tolerances.

REF: Reference Dimension, usually without tolerance, for information purposes only.

Microchip Technology Drawing C04-052B



# PIC18F46J50 FAMILY

28-Lead Plastic Small Outline (SO) - Wide, 7.50 mm Body [SOIC]

**Note:** For the most current package drawings, please see the Microchip Packaging Specification located at <http://www.microchip.com/packaging>



## RECOMMENDED LAND PATTERN

| Dimension Limits         | Units | MILLIMETERS |     |      |
|--------------------------|-------|-------------|-----|------|
|                          |       | MIN         | NOM | MAX  |
| Contact Pitch            | E     | 1.27 BSC    |     |      |
| Contact Pad Spacing      | C     | 9.40        |     |      |
| Contact Pad Width (X28)  | X     |             |     | 0.60 |
| Contact Pad Length (X28) | Y     |             |     | 2.00 |
| Distance Between Pads    | Gx    | 0.67        |     |      |
| Distance Between Pads    | G     | 7.40        |     |      |

**Notes:**

1. Dimensioning and tolerancing per ASME Y14.5M

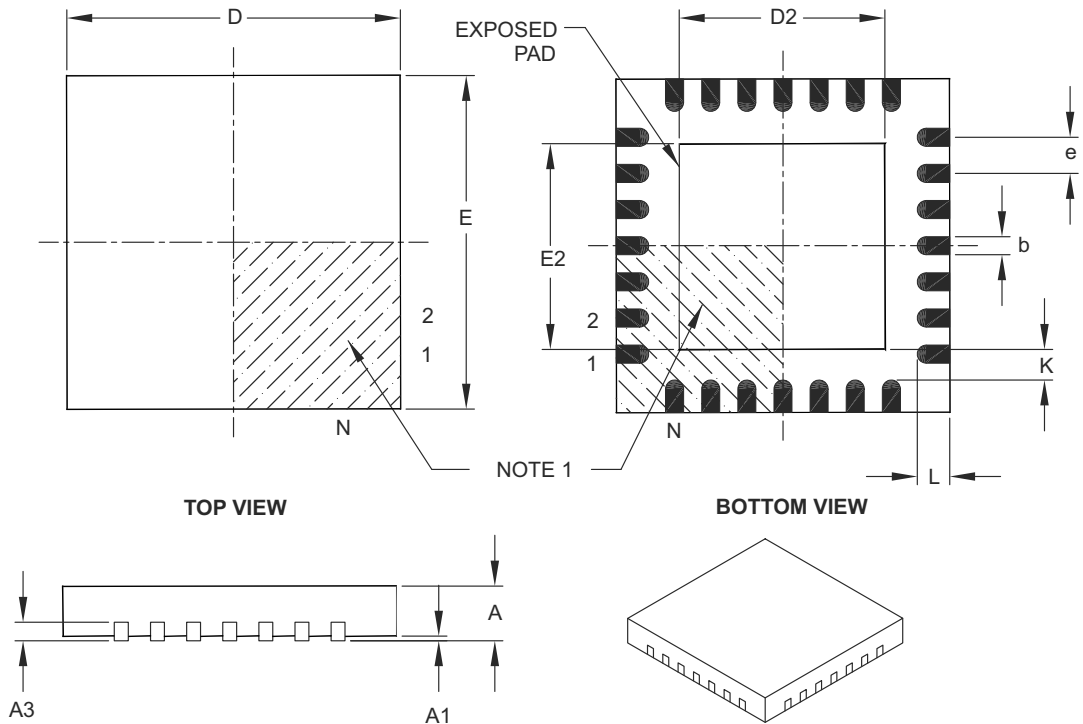
BSC: Basic Dimension. Theoretically exact value shown without tolerances.

Microchip Technology Drawing No. C04-2052A

# PIC18F46J50 FAMILY

## 28-Lead Plastic Quad Flat, No Lead Package (ML) – 6x6 mm Body [QFN] with 0.55 mm Contact Length

**Note:** For the most current package drawings, please see the Microchip Packaging Specification located at <http://www.microchip.com/packaging>



| Dimension Limits       | Units | MILLIMETERS |      |      |
|------------------------|-------|-------------|------|------|
|                        |       | MIN         | NOM  | MAX  |
| Number of Pins         | N     | 28          |      |      |
| Pitch                  | e     | 0.65 BSC    |      |      |
| Overall Height         | A     | 0.80        | 0.90 | 1.00 |
| Standoff               | A1    | 0.00        | 0.02 | 0.05 |
| Contact Thickness      | A3    | 0.20 REF    |      |      |
| Overall Width          | E     | 6.00 BSC    |      |      |
| Exposed Pad Width      | E2    | 3.65        | 3.70 | 4.20 |
| Overall Length         | D     | 6.00 BSC    |      |      |
| Exposed Pad Length     | D2    | 3.65        | 3.70 | 4.20 |
| Contact Width          | b     | 0.23        | 0.30 | 0.35 |
| Contact Length         | L     | 0.50        | 0.55 | 0.70 |
| Contact-to-Exposed Pad | K     | 0.20        | -    | -    |

**Notes:**

- Pin 1 visual index feature may vary, but must be located within the hatched area.
- Package is saw singulated.
- Dimensioning and tolerancing per ASME Y14.5M.

BSC: Basic Dimension. Theoretically exact value shown without tolerances.

REF: Reference Dimension, usually without tolerance, for information purposes only.

Microchip Technology Drawing C04-105B

# PIC18F46J50 FAMILY

## 28-Lead Plastic Quad Flat, No Lead Package (ML) – 6x6 mm Body [QFN] with 0.55 mm Contact Length

**Note:** For the most current package drawings, please see the Microchip Packaging Specification located at <http://www.microchip.com/packaging>



RECOMMENDED LAND PATTERN

| Dimension Limits           | Units | MILLIMETERS |      |      |
|----------------------------|-------|-------------|------|------|
|                            |       | MIN         | NOM  | MAX  |
| Contact Pitch              | E     | 0.65 BSC    |      |      |
| Optional Center Pad Width  | W2    |             |      | 4.25 |
| Optional Center Pad Length | T2    |             |      | 4.25 |
| Contact Pad Spacing        | C1    |             | 5.70 |      |
| Contact Pad Spacing        | C2    |             | 5.70 |      |
| Contact Pad Width (X28)    | X1    |             |      | 0.37 |
| Contact Pad Length (X28)   | Y1    |             |      | 1.00 |
| Distance Between Pads      | G     | 0.20        |      |      |

**Notes:**

1. Dimensioning and tolerancing per ASME Y14.5M

BSC: Basic Dimension. Theoretically exact value shown without tolerances.

Microchip Technology Drawing No. C04-2105A

# PIC18F46J50 FAMILY

## 44-Lead Plastic Quad Flat, No Lead Package (ML) – 8x8 mm Body [QFN]

**Note:** For the most current package drawings, please see the Microchip Packaging Specification located at <http://www.microchip.com/packaging>



| Dimension Limits       | Units | MILLIMETERS |      |      |
|------------------------|-------|-------------|------|------|
|                        |       | MIN         | NOM  | MAX  |
| Number of Pins         | N     | 44          |      |      |
| Pitch                  | e     | 0.65 BSC    |      |      |
| Overall Height         | A     | 0.80        | 0.90 | 1.00 |
| Standoff               | A1    | 0.00        | 0.02 | 0.05 |
| Contact Thickness      | A3    | 0.20 REF    |      |      |
| Overall Width          | E     | 8.00 BSC    |      |      |
| Exposed Pad Width      | E2    | 6.30        | 6.45 | 6.80 |
| Overall Length         | D     | 8.00 BSC    |      |      |
| Exposed Pad Length     | D2    | 6.30        | 6.45 | 6.80 |
| Contact Width          | b     | 0.25        | 0.30 | 0.38 |
| Contact Length         | L     | 0.30        | 0.40 | 0.50 |
| Contact-to-Exposed Pad | K     | 0.20        | –    | –    |

**Notes:**

- Pin 1 visual index feature may vary, but must be located within the hatched area.
- Package is saw singulated.
- Dimensioning and tolerancing per ASME Y14.5M.  
 BSC: Basic Dimension. Theoretically exact value shown without tolerances.  
 REF: Reference Dimension, usually without tolerance, for information purposes only.

Microchip Technology Drawing C04-103B

# PIC18F46J50 FAMILY

## 44-Lead Plastic Quad Flat, No Lead Package (ML) – 8x8 mm Body [QFN]

**Note:** For the most current package drawings, please see the Microchip Packaging Specification located at <http://www.microchip.com/packaging>



RECOMMENDED LAND PATTERN

| Dimension Limits           | Units | MILLIMETERS |      |      |
|----------------------------|-------|-------------|------|------|
|                            |       | MIN         | NOM  | MAX  |
| Contact Pitch              | E     | 0.65 BSC    |      |      |
| Optional Center Pad Width  | W2    |             |      | 6.80 |
| Optional Center Pad Length | T2    |             |      | 6.80 |
| Contact Pad Spacing        | C1    |             | 8.00 |      |
| Contact Pad Spacing        | C2    |             | 8.00 |      |
| Contact Pad Width (X44)    | X1    |             |      | 0.35 |
| Contact Pad Length (X44)   | Y1    |             |      | 0.80 |
| Distance Between Pads      | G     | 0.25        |      |      |

Notes:

1. Dimensioning and tolerancing per ASME Y14.5M

BSC: Basic Dimension. Theoretically exact value shown without tolerances.

Microchip Technology Drawing No. C04-2103A

# PIC18F46J50 FAMILY

## 44-Lead Plastic Thin Quad Flatpack (PT) – 10x10x1 mm Body, 2.00 mm [TQFP]

**Note:** For the most current package drawings, please see the Microchip Packaging Specification located at <http://www.microchip.com/packaging>



| Dimension Limits         | Units | MILLIMETERS |      |      |
|--------------------------|-------|-------------|------|------|
|                          |       | MIN         | NOM  | MAX  |
| Number of Leads          | N     | 44          |      |      |
| Lead Pitch               | e     | 0.80 BSC    |      |      |
| Overall Height           | A     | –           | –    | 1.20 |
| Molded Package Thickness | A2    | 0.95        | 1.00 | 1.05 |
| Standoff                 | A1    | 0.05        | –    | 0.15 |
| Foot Length              | L     | 0.45        | 0.60 | 0.75 |
| Footprint                | L1    | 1.00 REF    |      |      |
| Foot Angle               | φ     | 0°          | 3.5° | 7°   |
| Overall Width            | E     | 12.00 BSC   |      |      |
| Overall Length           | D     | 12.00 BSC   |      |      |
| Molded Package Width     | E1    | 10.00 BSC   |      |      |
| Molded Package Length    | D1    | 10.00 BSC   |      |      |
| Lead Thickness           | c     | 0.09        | –    | 0.20 |
| Lead Width               | b     | 0.30        | 0.37 | 0.45 |
| Mold Draft Angle Top     | α     | 11°         | 12°  | 13°  |
| Mold Draft Angle Bottom  | β     | 11°         | 12°  | 13°  |

**Notes:**

- Pin 1 visual index feature may vary, but must be located within the hatched area.
- Chamfers at corners are optional; size may vary.
- Dimensions D1 and E1 do not include mold flash or protrusions. Mold flash or protrusions shall not exceed 0.25 mm per side.
- Dimensioning and tolerancing per ASME Y14.5M.

BSC: Basic Dimension. Theoretically exact value shown without tolerances.

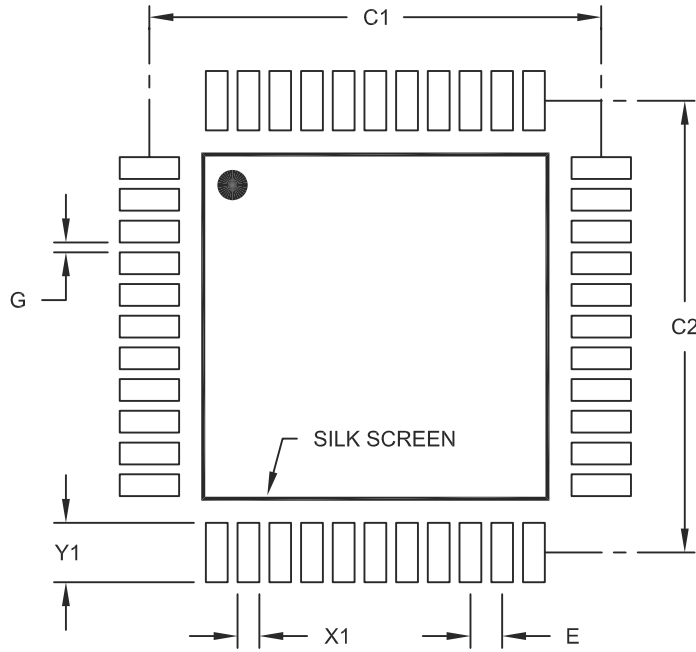
REF: Reference Dimension, usually without tolerance, for information purposes only.

Microchip Technology Drawing C04-076B

# PIC18F46J50 FAMILY

## 44-Lead Plastic Thin Quad Flatpack (PT) – 10x10x1 mm Body, 2.00 mm [TQFP]

**Note:** For the most current package drawings, please see the Microchip Packaging Specification located at <http://www.microchip.com/packaging>



RECOMMENDED LAND PATTERN

| Dimension Limits         | Units | MILLIMETERS |       |      |
|--------------------------|-------|-------------|-------|------|
|                          |       | MIN         | NOM   | MAX  |
| Contact Pitch            | E     | 0.80 BSC    |       |      |
| Contact Pad Spacing      | C1    |             | 11.40 |      |
| Contact Pad Spacing      | C2    |             | 11.40 |      |
| Contact Pad Width (X44)  | X1    |             |       | 0.55 |
| Contact Pad Length (X44) | Y1    |             |       | 1.50 |
| Distance Between Pads    | G     | 0.25        |       |      |

**Notes:**

1. Dimensioning and tolerancing per ASME Y14.5M

BSC: Basic Dimension. Theoretically exact value shown without tolerances.

Microchip Technology Drawing No. C04-2076A

# PIC18F46J50 FAMILY

---

NOTES:



# PIC18F46J50 FAMILY

## APPENDIX A: REVISION HISTORY

### Revision A (September 2008)

Original data sheet for the PIC18F46J50 family of devices.

### Revision B (March 2009)

Changes to the Electrical Characteristics and minor text edits throughout the document.

### Revision C (October 2009)

Removed "Preliminary" marking.

### Revision D (March 2011)

Added [Section 2.0, Guidelines for Getting Started with PIC18FJ Microcontrollers](#). Renamed CTEDG1 and CTEDG2 pin functions to CTED1 and CTED2, respectively. Clarifications and minor text edits throughout the document.

## APPENDIX B: DEVICE DIFFERENCES

The differences between the devices listed in this data sheet are shown in [Table B-1](#),

**TABLE B-1: DEVICE DIFFERENCES BETWEEN PIC18F46J50 FAMILY MEMBERS**

| Features                      | PIC18F24J50                                | PIC18F25J50 | PIC18F26J50 | PIC18F44J50         | PIC18F45J50 | PIC18F46J50 |
|-------------------------------|--|-------------|-------------|---------------------|-------------|-------------|
| Program Memory                | 16K  | 32K         | 64K         | 16K                 | 32K         | 64K         |
| Program Memory (Instructions) | 8,192                                      | 16,384      | 32,768      | 8,192               | 16,384      | 32,768      |
| I/O Ports (Pins)              | Ports A, B, C                              |             |             | Ports A, B, C, D, E |             |             |
| 10-Bit ADC Module             | 10 Input Channels                          |             |             | 13 Input Channels   |             |             |
| Packages                      | 28-Pin QFN, SOIC, SSOP and SPDIP (300 mil) |             |             | 44-Pin QFN and TQFP |             |             |

# PIC18F46J50 FAMILY

---

NOTES:

# PIC18F46J50 FAMILY

## INDEX

### A

|  |     |  |     |
|--|-----|--|-----|
| A/D  | 347 | CTMU   | 401 |
| A/D Converter Interrupt, Configuring             | 351 | CTMU Current Source Calibration Circuit  | 404 |
| Acquisition Requirements                         | 352 | CTMU Typical Connections and Internal Configuration for Pulse Delay Generation | 412 |
| ADCAL Bit  | 355 | CTMU Typical Connections and Internal Configuration for Time Measurement       | 411 |
| ADRESH Register                                  | 350 | Demultiplexed Addressing Mode with Chip Select                                 | 184 |
| Analog Port Pins, Configuring                    | 353 | Device Clock   | 36  |
| Associated Registers                             | 356 | Enhanced PWM Mode  | 253 |
| Automatic Acquisition Time                       | 353 | EUSART Transmit  | 334 |
| Calibration                                      | 355 | EUSARTx Receive  | 337 |
| Configuring the Module                           | 351 | Fail-Safe Clock Monitor  | 432 |
| Conversion Clock (TAD)                           | 353 | Fully Multiplexed Addressing Mode with Chip Select                             | 184 |
| Conversion Requirements                          | 530 | Generic I/O Port Operation   | 131 |
| Conversion Status (GO/DONE Bit)                  | 350 | High/Low-Voltage Detect with External Input                                    | 396 |
| Conversions                                      | 354 | Interrupt Logic  | 116 |
| Converter Characteristics                        | 529 | LCD Control, Byte Mode   | 192 |
| Operation in Power-Managed Modes                 | 355 | Legacy Parallel Slave Port   | 178 |
| Special Event Trigger (ECCPx)                    | 354 | MSSPx (I <sup>2</sup> C Master Mode)   | 308 |
| Use of the ECCP2 Trigger                         | 354 | MSSPx (I <sup>2</sup> C Mode)  | 288 |
| Absolute Maximum Ratings                         | 489 | MSSPx (SPI Mode)   | 270 |
| AC (Timing) Characteristics                      | 508 | Multiplexed Addressing Application   | 191 |
| Load Conditions for Device Timing Specifications | 509 | On-Chip Reset Circuit  | 63  |
| Parameter Symbolology                            | 508 | Parallel EEPROM (Up to 15-Bit Address, 16-Bit Data)                            | 192 |
| Temperature and Voltage Specifications           | 509 | Parallel EEPROM (Up to 15-Bit Address, 8-Bit Data)                             | 192 |
| Timing Conditions                                | 509 | Parallel Master/Slave Connection Addressed Buffer                              | 181 |
| ACKSTAT  | 313 | Parallel Master/Slave Connection Buffered                                      | 180 |
| ACKSTAT Status Flag                              | 313 | Partially Multiplexed Addressing Application                                   | 191 |
| ADCAL Bit  | 355 | Partially Multiplexed Addressing Mode with Chip Select                         | 184 |
| ADCON0 Register                                  |     | PIC18F2XJ50 (28-Pin)   | 14  |
| GO/DONE Bit                                      | 350 | PIC18F4XJ50 (44-Pin)   | 15  |
| ADDFSR   | 478 | PMP Module   | 169 |
| ADDLW  | 441 | PWM Operation (Simplified)   | 250 |
| ADDULNK  | 478 | Reads From Flash Program Memory  | 107 |
| ADDWF  | 441 | RTCC   | 225 |
| ADDWFC   | 442 | Simplified Steering  | 266 |
| ADRESL Register                                  | 350 | Single Comparator  | 387 |
| Analog-to-Digital Converter. See A/D.            |     | Table Read Operation   | 103 |
| ANDLW  | 442 | Table Write Operation  | 104 |
| ANDWF  | 443 | Table Writes to Flash Program Memory   | 109 |
| Assembler  |     | Timer0 in 16-Bit Mode  | 196 |
| MPASM Assembler                                  | 486 | Timer0 in 8-Bit Mode   | 196 |
| Auto-Wake-up on Sync Break Character             | 338 | Timer1   | 204 |
|  |     | Timer2   | 212 |
|  |     | Timer3   | 216 |
|  |     | Timer4   | 224 |
|  |     | USB External Circuitry   | 362 |
|  |     | USB Interrupt Logic  | 372 |
|  |     | USB Peripheral and Options   | 357 |
|  |     | Using the Open-Drain Output  | 133 |
|  |     | USTAT FIFO   | 363 |
|  |     | Watchdog Timer   | 427 |
|  |     | BN   | 444 |
|  |     | BNC  | 445 |
|  |     | BNN  | 445 |
|  |     | BNOV   | 446 |
|  |     | BNZ  | 446 |
|  |     | BOR. See Brown-out Reset.  |     |

# PIC18F46J50 FAMILY

|  |     |  |          |
|--|-----|--|----------|
| BOV .....  | 449 | Code Protection .....                        | 417      |
| BRA .....  | 447 | COMF .....                                   | 452      |
| Break Character (12-Bit) Transmit and Receive .....  | 340 | Comparator .....                             | 385      |
| Brown-out Reset (BOR) .....                          | 65  | Analog Input Connection Considerations ..... | 387      |
| and On-Chip Voltage Regulator .....                  | 430 | Associated Registers .....                   | 390      |
| Detecting .....                                      | 65  | Configuration, Control .....                 | 388      |
| Disabling in Sleep Mode .....                        | 65  | Effects of a Reset .....                     | 390      |
| BSF .....  | 447 | Enable and Input Selection .....             | 388      |
| BTFSC .....  | 448 | Enable and Output Selection .....            | 388      |
| BTFSS .....  | 448 | Interrupts .....                             | 389      |
| BTG .....  | 449 | Operation .....                              | 387      |
| BZ .....   | 450 | Operation During Sleep .....                 | 390      |
| <b>C</b>   |     | Registers .....                              | 385      |
| C Compilers  |     | Response Time .....                          | 387      |
| MPLAB C18 .....                                      | 486 | Comparator Specifications .....              | 504      |
| Calibration (A/D Converter) .....                    | 355 | Comparator Voltage Reference .....           | 391      |
| CALL .....   | 450 | Accuracy and Error .....                     | 393      |
| CALLW .....  | 479 | Associated Registers .....                   | 393      |
| Capture (ECCP Module) .....                          | 248 | Configuring .....                            | 392      |
| CCPRxH:CCPRxL Registers .....                        | 248 | Connection Considerations .....              | 393      |
| ECCP Pin Configuration .....                         | 248 | Effects of a Reset .....                     | 393      |
| Prescaler .....                                      | 248 | Operation During Sleep .....                 | 393      |
| Software Interrupt .....                             | 248 | Compare (ECCP Module) .....                  | 249      |
| Timer1/Timer3 Mode Selection .....                   | 248 | CCPRx Register .....                         | 249      |
| Clock Sources .....                                  | 42  | Pin Configuration .....                      | 249      |
| Effects of Power-Managed Modes .....                 | 45  | Software Interrupt .....                     | 249      |
| Selecting the 31 kHz Source .....                    | 42  | Special Event Trigger .....                  | 221, 249 |
| Selection Using OSCCON Register .....                | 42  | Timer1/Timer3 Mode Selection .....           | 249      |
| CLRF .....   | 451 | Compare (ECCPx Module)                       |          |
| CLRWDT .....   | 451 | Special Event Trigger .....                  | 354      |
| Code Examples  |     | Computed GOTO .....                          | 81       |
| 16 x 16 Signed Multiply Routine .....                | 114 | Configuration Bits .....                     | 417      |
| 16 x 16 Unsigned Multiply Routine .....              | 114 | Configuration Mismatch (CM) Reset .....      | 66       |
| 512-Byte SPI Master Mode Init and Transfer .....     | 286 | Configuration Register Protection .....      | 433      |
| 8 x 8 Signed Multiply Routine .....                  | 113 | Configuration Registers                      |          |
| 8 x 8 Unsigned Multiply Routine .....                | 113 | Bits and Device IDs .....                    | 418      |
| A/D Calibration Routine .....                        | 355 | Mapping Flash Configuration Words .....      | 418      |
| Calculating Baud Rate Error .....                    | 328 | Core Features                                |          |
| Capacitance Calibration Routine .....                | 408 | Easy Migration .....                         | 12       |
| Capacitive Touch Switch Routine .....                | 410 | Expanded Memory .....                        | 11       |
| Changing Between Capture Prescalers .....            | 248 | Extended Instruction Set .....               | 12       |
| Clearing ACTIVIF Bit .....                           | 374 | nanoWatt Technology .....                    | 11       |
| Communicating with the +5V System .....              | 133 | Oscillator Options and Features .....        | 11       |
| Computed GOTO Using an Offset Value .....            | 81  | Universal Serial Bus (USB) .....             | 11       |
| Configuring EUSART2 Input and Output Functions ..... | 154 | CPFSEQ .....                                 | 452      |
| Current Calibration Routine .....                    | 406 | CPFSGT .....                                 | 453      |
| Erasing Flash Program Memory .....                   | 108 | CPFSLT .....                                 | 453      |
| Fast Register Stack .....                            | 81  | Crystal Oscillator/Ceramic Resonators .....  | 37       |
| How to Clear RAM (Bank 1) Using                      |     | CTMU   |          |
| Indirect Addressing .....                            | 97  | Associated Registers .....                   | 415      |
| Initializing PORTA .....                             | 136 | Calibration .....                            | 403      |
| Initializing PORTB .....                             | 139 | Creating a Delay .....                       | 412      |
| Initializing PORTC .....                             | 143 | Effects of a Reset .....                     | 412      |
| Initializing PORTD .....                             | 146 | Initialization .....                         | 403      |
| Initializing PORTE .....                             | 148 | Measuring Capacitance .....                  | 409      |
| Loading the SSP1BUF (SSP1SR) Register .....          | 273 | Measuring Time .....                         | 411      |
| Reading a Flash Program Memory Word .....            | 107 | Operation .....                              | 402      |
| Saving STATUS, WREG and BSR                          |     | Operation During Idle Mode .....             | 412      |
| Registers in RAM .....                               | 130 | Operation During Sleep Mode .....            | 412      |
| Setting the RTCWREN Bit .....                        | 239 | CTMU Current Source Specifications .....     | 505      |
| Setup for CTMU Calibration Routines .....            | 405 | Customer Change Notification Service .....   | 559      |
| Single-Word Write to Flash Program Memory .....      | 111 | Customer Notification Service .....          | 559      |
| Two-Word Instructions .....                          | 83  | Customer Support .....                       | 559      |
| Ultra Low-Power Wake-up Initialization .....         | 61  |  |          |
| Writing to Flash Program Memory .....                | 110 |  |          |

# PIC18F46J50 FAMILY

|  |          |  |
|--|----------|--|
| <b>D</b>   |          |  |
| Data Addressing Modes .....                          | 97       |  |
| Comparing Addressing Modes with the                  |          |  |
| Extended Instruction Set Enabled .....               | 101      |  |
| Direct .....   | 97       |  |
| Indexed Literal Offset .....                         | 100      |  |
| BSR .....  | 102      |  |
| Instructions Affected .....                          | 100      |  |
| Mapping Access Bank .....                            | 102      |  |
| Indirect .....                                       | 97       |  |
| Inherent and Literal .....                           | 97       |  |
| Data Memory .....                                    | 84       |  |
| Access Bank .....                                    | 86       |  |
| Bank Select Register (BSR) .....                     | 84       |  |
| Extended Instruction Set .....                       | 99       |  |
| General Purpose Registers .....                      | 86       |  |
| Memory Maps  |          |  |
| Access Bank Special Function Registers .....         | 87       |  |
| Non-Access Bank Special                              |          |  |
| Function Registers .....                             | 88       |  |
| PIC18F46J50 Family Devices .....                     | 85       |  |
| Special Function Registers .....                     | 87       |  |
| Context Defined SFRs .....                           | 89       |  |
| USB RAM .....  | 84       |  |
| DAW .....  | 454      |  |
| DC Characteristics .....                             | 502      |  |
| Power-Down and Supply Current .....                  | 492      |  |
| Supply Voltage .....                                 | 491      |  |
| DCFSNZ .....   | 455      |  |
| DECF .....   | 454      |  |
| DECFSZ .....   | 455      |  |
| Development Support .....                            | 485      |  |
| Device Differences .....                             | 545      |  |
| Device Overview .....                                | 11       |  |
| Details on Individual Family Members .....           | 12       |  |
| Features (28-Pin Devices) .....                      | 13       |  |
| Features (44-Pin Devices) .....                      | 13       |  |
| Other Special Features .....                         | 12       |  |
| Direct Addressing .....                              | 98       |  |
| <b>E</b>   |          |  |
| Effect on Standard PICMCU Instructions .....         | 482      |  |
| Electrical Characteristics .....                     | 489      |  |
| Absolute Maximum Ratings .....                       | 489      |  |
| DC Characteristics .....                             | 491–502  |  |
| Enhanced Capture/Compare/PWM (ECCP) .....            | 245      |  |
| Associated Registers .....                           | 267      |  |
| Capture Mode. <i>See</i> Capture.                    |          |  |
| Compare Mode. <i>See</i> Compare.                    |          |  |
| ECCP Mode and Timer Resources .....                  | 247      |  |
| Enhanced PWM Mode .....                              | 253      |  |
| Auto-Restart .....                                   | 262      |  |
| Auto-Shutdown .....                                  | 261      |  |
| Direction Change in Full-Bridge                      |          |  |
| Output Mode .....                                    | 259      |  |
| Full-Bridge Application .....                        | 257      |  |
| Full-Bridge Mode .....                               | 257      |  |
| Half-Bridge Application .....                        | 256      |  |
| Half-Bridge Application Examples .....               | 263      |  |
| Half-Bridge Mode .....                               | 256      |  |
| Output Relationships (Active-High                    |          |  |
| and Active-Low) .....                                | 254      |  |
| Output Relationships Diagram .....                   | 255      |  |
| Programmable Dead-Band Delay .....                   | 263      |  |
| Shoot-Through Current .....                          | 263      |  |
| Start-up Considerations .....                        | 260      |  |
| Outputs and Configuration .....                      | 247      |  |
| Enhanced Universal Synchronous Asynchronous Receiver |          |  |
| Transmitter (EUSART). <i>See</i> EUSART.             |          |  |
| Equations  |          |  |
| A/D Acquisition Time .....                           | 352      |  |
| A/D Minimum Charging Time .....                      | 352      |  |
| Bytes Transmitted for a Given DMABC .....            | 284      |  |
| Calculating Output of Comparator                     |          |  |
| Voltage Reference .....                              | 392      |  |
| Calculating the Minimum Required                     |          |  |
| Acquisition Time .....                               | 352      |  |
| Calculating USB Transceiver Current .....            | 380      |  |
| Estimating USB Transceiver Current                   |          |  |
| Consumption .....                                    | 379      |  |
| Errata .....   | 9        |  |
| EUSART .....   | 323      |  |
| Asynchronous Mode .....                              | 333      |  |
| 12-Bit Break Transmit and Receive .....              | 340      |  |
| Associated Registers, Reception .....                | 338      |  |
| Associated Registers, Transmission .....             | 335      |  |
| Auto-Wake-up on Sync Break .....                     | 338      |  |
| Receiver .....                                       | 336      |  |
| Setting Up 9-Bit Mode with Address Detect ...        | 336      |  |
| Setting Up Asynchronous Receive .....                | 336      |  |
| Transmitter .....                                    | 333      |  |
| Baud Rate Generator                                  |          |  |
| Operation in Power-Managed Mode .....                | 327      |  |
| Baud Rate Generator (BRG) .....                      | 327      |  |
| Associated Registers .....                           | 328      |  |
| Auto-Baud Rate Detect .....                          | 331      |  |
| Baud Rates, Asynchronous Modes .....                 | 329      |  |
| Formulas .....                                       | 327      |  |
| High Baud Rate Select (BRGH Bit) .....               | 327      |  |
| Sampling .....                                       | 327      |  |
| Synchronous Master Mode .....                        | 341      |  |
| Associated Registers, Reception .....                | 344      |  |
| Associated Registers, Transmission .....             | 342      |  |
| Reception .....                                      | 343      |  |
| Transmission .....                                   | 341      |  |
| Synchronous Slave Mode .....                         | 345      |  |
| Associated Registers, Reception .....                | 346      |  |
| Associated Registers, Transmission .....             | 345      |  |
| Reception .....                                      | 346      |  |
| Transmission .....                                   | 345      |  |
| Extended Instruction Set                             |          |  |
| ADDFSR .....   | 478      |  |
| ADDULNK .....  | 478      |  |
| CALLW .....  | 479      |  |
| MOVSF .....  | 479      |  |
| MOVSS .....  | 480      |  |
| PUSHL .....  | 480      |  |
| SUBFSR .....   | 481      |  |
| SUBULNK .....  | 481      |  |
| Extended Instructions                                |          |  |
| Considerations when Enabling .....                   | 482      |  |
| External Clock Input .....                           | 38       |  |
| <b>F</b>   |          |  |
| Fail-Safe Clock Monitor .....                        | 417, 431 |  |
| Interrupts in Power-Managed Modes .....              | 433      |  |
| POR or Wake-up From Sleep .....                      | 433      |  |
| WDT During Oscillator Failure .....                  | 432      |  |
| Fast Register Stack .....                            | 81       |  |
| Features Overview .....                              | 3        |  |
| Comparative Table .....                              | 4        |  |
| Firmware Instructions .....                          | 435      |  |

# PIC18F46J50 FAMILY

|   |        |   |          |
|---|--------|---|----------|
| Flash Program Memory .....                  | 103    | Clock Stretching .....                            | 303      |
| Associated Registers .....                  | 112    | 10-Bit Slave Receive Mode (SEN = 1) .....         | 303      |
| Control Registers .....                     | 104    | 10-Bit Slave Transmit Mode .....                  | 303      |
| EECON1 and EECON2 .....                     | 104    | 7-Bit Slave Receive Mode (SEN = 1) .....          | 303      |
| TABLAT (Table Latch) Register .....         | 106    | 7-Bit Slave Transmit Mode .....                   | 303      |
| TBLPTR (Table Pointer) Register .....       | 106    | Clock Synchronization and CKP bit .....           | 304      |
| Erase Sequence .....                        | 108    | Effects of a Reset .....                          | 317      |
| Erasing .....                               | 108    | General Call Address Support .....                | 307      |
| Memory Write Sequence .....                 | 111    | I <sup>2</sup> C Clock Rate w/BRG .....           | 310      |
| Operation During Code-Protect .....         | 112    | Master Mode .....                                 | 308      |
| Reading .....                               | 107    | Operation .....                                   | 309      |
| Table Pointer                               |        | Reception .....                                   | 313      |
| Boundaries Based on Operation .....         | 106    | Repeated Start Condition Timing .....             | 312      |
| Table Pointer Boundaries .....              | 106    | Start Condition Timing .....                      | 311      |
| Table Reads and Table Writes .....          | 103    | Transmission .....                                | 313      |
| Write Sequence .....                        | 109    | Multi-Master Communication, Bus Collision         |          |
| Writing .....                               | 109    | and Arbitration .....                             | 317      |
| Unexpected Termination .....                | 112    | Multi-Master Mode .....                           | 317      |
| Write Verify .....                          | 112    | Operation .....                                   | 293      |
| FSCM. See Fail-Safe Clock Monitor.          |        | Read/Write Bit Information (R/W Bit) .....        | 293, 296 |
| <b>G</b>                                    |        | Registers .....                                   | 288      |
| Getting Started Guidelines .....            | 29, 30 | Serial Clock (SCLx Pin) .....                     | 296      |
| Connection Requirements .....               | 29     | Slave Mode .....                                  | 293      |
| External Oscillator Pins .....              | 33     | Addressing .....                                  | 293      |
| ICSP Pins .....                             | 32     | Addressing Masking Modes                          |          |
| Power Supply Pins .....                     | 30     | 5-Bit .....                                       | 294      |
| Unused I/Os .....                           | 33     | 7-Bit .....                                       | 295      |
| Voltage Regulator Pins (VCAP/VDDCORE) ..... | 31     | Reception .....                                   | 296      |
| GOTO .....                                  | 456    | Transmission .....                                | 296      |
| <b>H</b>                                    |        | Sleep Operation .....                             | 317      |
| Hardware Multiplier .....                   | 113    | Stop Condition Timing .....                       | 316      |
| 8 x 8 Multiplication Algorithms .....       | 113    | INCF .....  | 456      |
| Operation .....                             | 113    | INCFSZ .....                                      | 457      |
| Performance Comparison (table) .....        | 113    | In-Circuit Debugger .....                         | 434      |
| High/Low-Voltage Detect .....               | 395    | In-Circuit Serial Programming (ICSP) .....        | 417, 434 |
| Applications .....                          | 399    | Indexed Literal Offset Addressing                 |          |
| Associated Registers .....                  | 400    | and Standard PIC18 Instructions .....             | 482      |
| Characteristics .....                       | 507    | Indexed Literal Offset Mode .....                 | 482      |
| Current Consumption .....                   | 397    | Indirect Addressing .....                         | 98       |
| Effects of a Reset .....                    | 400    | INFSNZ .....                                      | 457      |
| Operation .....                             | 396    | Initialization Conditions for All Registers ..... | 69–76    |
| During Sleep .....                          | 400    | Instruction Cycle .....                           | 82       |
| Setup .....                                 | 397    | Clocking Scheme .....                             | 82       |
| Start-up Time .....                         | 397    | Flow/Pipelining .....                             | 82       |
| Typical Application .....                   | 399    | Instruction Set .....                             | 435      |
| <b>I</b>                                    |        | ADDLW .....                                       | 441      |
| I/O Ports .....                             | 131    | ADDWF .....                                       | 441      |
| Open-Drain Outputs .....                    | 133    | ADDWF (Indexed Literal Offset Mode) .....         | 483      |
| Pin Capabilities .....                      | 132    | ADDWFC .....                                      | 442      |
| TTL Input Buffer Option .....               | 133    | ANDLW .....                                       | 442      |
| I <sup>2</sup> C Mode .....                 | 288    | ANDWF .....                                       | 443      |
| I <sup>2</sup> C Mode (MSSP)                |        | BC .....  | 443      |
| Acknowledge Sequence Timing .....           | 316    | BCF .....   | 444      |
| Associated Registers .....                  | 322    | BN .....  | 444      |
| Baud Rate Generator .....                   | 309    | BNC .....   | 445      |
| Bus Collision                               |        | BNN .....   | 445      |
| During a Repeated Start Condition .....     | 320    | BNOV .....  | 446      |
| During a Stop Condition .....               | 321    | BNZ .....   | 446      |
| Clock Arbitration .....                     | 311    | BOV .....   | 449      |
|   |        | BRA .....   | 447      |
|   |        | BSF .....   | 447      |
|   |        | BSF (Indexed Literal Offset Mode) .....           | 483      |
|   |        | BTFSC .....                                       | 448      |
|   |        | BTFSS .....                                       | 448      |
|   |        | BTG .....   | 449      |

# PIC18F46J50 FAMILY

|  |         |  |          |
|--|---------|--|----------|
| BZ .....   | 450     | Internal Oscillator                                  |          |
| CALL .....   | 450     | Internal Oscillator Block .....                      | 38       |
| CLRF .....   | 451     | Adjustment .....                                     | 39       |
| CLRWDT .....   | 451     | OSCTUNE Register .....                               | 39       |
| COMF .....   | 452     | Internal RC Oscillator                               |          |
| CPFSEQ .....   | 452     | Use with WDT .....                                   | 427      |
| CPFSGT .....   | 453     | Internal Voltage Reference Specifications .....      | 505      |
| CPFSLT .....   | 453     | Internet Address .....                               | 559      |
| DAW .....  | 454     | Interrupt Sources .....                              | 417      |
| DCFSNZ .....   | 455     | A/D Conversion Complete .....                        | 351      |
| DECF .....   | 454     | Capture Complete (ECCP) .....                        | 248      |
| DECFSZ .....   | 455     | Compare Complete (ECCP) .....                        | 249      |
| Extended Instructions .....                            | 477     | Interrupt-on-Change (RB7:RB4) .....                  | 139      |
| Considerations when Enabling .....                     | 482     | TMR0 Overflow .....                                  | 197      |
| Syntax .....   | 477     | TMR1 Overflow .....                                  | 206      |
| Use with MPLAB IDE Tools .....                         | 484     | TMR3 Overflow .....                                  | 213, 221 |
| General Format .....                                   | 437     | TMR4 to PR4 Match .....                              | 224      |
| GOTO .....   | 456     | TMR4 to PR4 Match (PWM) .....                        | 223      |
| INCF .....   | 456     | Interrupts .....                                     | 115      |
| INCFSZ .....   | 457     | Control Bits .....                                   | 115      |
| INFSNZ .....   | 457     | Control Registers. <i>See</i> INTCON Registers.      |          |
| IORLW .....  | 458     | During, Context Saving .....                         | 130      |
| IORWF .....  | 458     | INTx Pin .....                                       | 130      |
| LFSR .....   | 459     | PORTB, Interrupt-on-Change .....                     | 130      |
| MOVF .....   | 459     | RCON Register .....                                  | 129      |
| MOVFF .....  | 460     | TMR0 .....   | 130      |
| MOVLB .....  | 460     | Interrupts, Flag Bits                                |          |
| MOVLW .....  | 461     | Interrupt-on-Change (RB7:RB4) Flag (RBIF Bit) .....  | 139      |
| MOVWF .....  | 461     | INTOSC Frequency Drift .....                         | 39       |
| MULLW .....  | 462     | INTOSC, INTRC. <i>See</i> Internal Oscillator Block. |          |
| MULWF .....  | 462     | IORLW .....  | 458      |
| NEGF .....   | 463     | IORWF .....  | 458      |
| NOP .....  | 463     | IPR Registers .....                                  | 126–128  |
| Opcode Field Descriptions .....                        | 436     | <b>L</b>   |          |
| POP .....  | 464     | LFSR .....   | 459      |
| PUSH .....   | 464     | Low-Power Modes .....                                | 47       |
| RCALL .....  | 465     | Clock Transitions and Status Indicators .....        | 48       |
| RESET .....  | 465     | Deep Sleep Mode .....                                | 54       |
| RETFIE .....   | 466     | and RTCC Peripheral .....                            | 56       |
| RETLW .....  | 466     | Brown-out Reset (DSBOR) .....                        | 56       |
| RETURN .....   | 467     | Fault Detection .....                                | 56       |
| RLCF .....   | 467     | Preparing for .....                                  | 54       |
| RLNCF .....  | 468     | Registers .....                                      | 57       |
| RRCF .....   | 468     | Typical Sequence .....                               | 56       |
| RRNCF .....  | 469     | Wake-up Sources .....                                | 55       |
| SETF .....   | 469     | Watchdog Timer (DSWDT) .....                         | 55       |
| SETF (Indexed Literal Offset Mode) .....               | 483     | Exiting Idle and Sleep Modes .....                   | 53       |
| SLEEP .....  | 470     | By Interrupt .....                                   | 53       |
| Standard Instructions .....                            | 435     | By Reset .....                                       | 53       |
| SUBFWB .....   | 470     | By WDT Time-out .....                                | 53       |
| SUBLW .....  | 471     | Without an Oscillator Start-up Delay .....           | 54       |
| SUBWF .....  | 471     | Idle Modes .....                                     | 52       |
| SUBWFB .....   | 472     | PRI_IDLE .....                                       | 52       |
| SWAPF .....  | 472     | RC_IDLE .....  | 53       |
| TBLRD .....  | 473     | SEC_IDLE .....                                       | 52       |
| TBLWT .....  | 474     | Multiple Sleep Commands .....                        | 48       |
| TSTFSZ .....   | 475     | Run Modes .....                                      | 48       |
| XORLW .....  | 475     | PRI_RUN .....  | 48       |
| XORWF .....  | 476     | RC_RUN .....   | 50       |
| INTCON Registers .....                                 | 117–119 | SEC_RUN .....  | 48       |
| Inter-Integrated Circuit. <i>See</i> I <sup>2</sup> C. |         | Sleep Mode .....                                     | 51       |
| Frequency Drift. <i>See</i> INTOSC Frequency Drift.    |         | Summary (table) .....                                | 48       |
|  |         | Ultra Low-Power Wake-up .....                        | 60       |

# PIC18F46J50 FAMILY

## M

|   |          |
|---|----------|
| Master Clear (MCLR) .....                         | 65       |
| Master Synchronous Serial Port (MSSP). See MSSP.  |          |
| Memory Organization .....                         | 77       |
| Data Memory .....                                 | 84       |
| Program Memory .....                              | 77       |
| Return Address Stack .....                        | 79       |
| Memory Programming Requirements .....             | 504      |
| Microchip Internet Web Site .....                 | 559      |
| MOVF .....  | 459      |
| MOVFF .....                                       | 460      |
| MOVLB .....                                       | 460      |
| MOVLW .....                                       | 461      |
| MOVSF .....                                       | 479      |
| MOVSS .....                                       | 480      |
| MOVWF .....                                       | 461      |
| MPLAB MPASM Assembler, Linker, Librarian .....    | 486      |
| MPLAB Integrated Development Environment          |          |
| Software .....                                    | 485      |
| MPLAB PM3 Device Programmer .....                 | 488      |
| MPLAB REAL ICE In-Circuit Emulator System .....   | 487      |
| MPLINK Object Linker/MPLIB Object Librarian ..... | 486      |
| MSSP  |          |
| ACK Pulse .....                                   | 293, 296 |
| I <sup>2</sup> C Mode. See I <sup>2</sup> C Mode. |          |
| Module Overview .....                             | 269      |
| SPI Master/Slave Connection .....                 | 274      |
| TMR4 Output for Clock Shift .....                 | 224      |
| MULLW .....                                       | 462      |
| MULWF .....                                       | 462      |

## N

|            |     |
|------------|-----|
| NEGF ..... | 463 |
| NOP .....  | 463 |

## O

|  |               |
|--|---------------|
| Oscillator Configurations .....          | 35            |
| Internal Oscillator Block .....          | 38            |
| Oscillator Control .....                 | 35            |
| Oscillator Modes .....                   | 35            |
| Oscillator Modes and USB Operation ..... | 36            |
| Oscillator Types .....                   | 35            |
| Transitions .....                        | 43            |
| Oscillator Selection .....               | 417           |
| Oscillator Settings for USB .....        | 40            |
| Configuration Options .....              | 41            |
| Oscillator Start-up Timer (OST) .....    | 45            |
| Oscillator Switching .....               | 42            |
| Oscillator, Timer1 .....                 | 199, 205, 217 |
| Oscillator, Timer3 .....                 | 213           |

## P

|                                   |     |
|-----------------------------------|-----|
| P1A/P1B/P1C/P1D. See Enhanced     |     |
| Capture/Compare/PWM (ECCP) .....  | 253 |
| Packaging                         |     |
| Details .....                     | 533 |
| Marking .....                     | 531 |
| Parallel Master Port (PMP) .....  | 169 |
| Application Examples .....        | 191 |
| Associated Registers .....        | 193 |
| Data Registers .....              | 176 |
| Master Port Modes .....           | 183 |
| Module Registers .....            | 170 |
| Slave Port Modes .....            | 178 |
| Peripheral Pin Select (PPS) ..... | 150 |

|                                       |         |
|---------------------------------------|---------|
| Peripheral Pin Select Registers ..... | 155–168 |
| PIE Registers .....                   | 123–125 |
| Pin Diagrams .....                    | 5–7     |
| Pin Functions                         |         |
| AVDD1 .....                           | 28      |
| AVDD2 .....                           | 28      |
| AVss1 .....                           | 28      |
| MCLR .....                            | 16, 22  |
| OSC1/CLKI/RA7 .....                   | 16, 22  |
| OSC2/CLKO/RA6 .....                   | 16, 22  |
| RA0/AN0/C1INA/ULPWU/PMA6/RP0 .....    | 23      |
| RA0/AN0/C1INA/ULPWU/RP0 .....         | 17      |
| RA1/AN1/C2INA/PMA7/RP1 .....          | 23      |
| RA1/AN1/C2INA/RP1 .....               | 17      |
| RA2/AN2/VREF-/CVREF/C2INB .....       | 17, 23  |
| RA3/AN3/VREF+/C1INB .....             | 17, 23  |
| RA5/AN4/SS1/HLVDIN/RCV/RP2 .....      | 17, 23  |
| RA6 .....                             | 17, 23  |
| RA7 .....                             | 17, 23  |
| RB0/AN12/INT0/RP3 .....               | 18, 24  |
| RB1/AN10/PMBE/RTCCS/RP4 .....         | 24      |
| RB1/AN10/RTCC/RP4 .....               | 18      |
| RB2/AN8/CTED1/PMA3/VMO/REFO/RP5 ..... | 24      |
| RB2/AN8/CTED1/VMO/REFO/RP5 .....      | 18      |
| RB3/AN9/CTED2/PMA2/VPO/RP6 .....      | 24      |
| RB3/AN9/CTED2/VPO/RP6 .....           | 18      |
| RB4/KBI0/SCK1/SCL1/RP7 .....          | 19      |
| RB4/PMA1/KBI0/SCK1/SCL1/RP7 .....     | 25      |
| RB5/KBI1/SDI1/SDA1/RP8 .....          | 19      |
| RB5/PMA0/KBI1/SDI1/SDA1/RP8 .....     | 25      |
| RB6/KBI2/PGC/RP9 .....                | 19, 25  |
| RB7/KBI3/PGD/RP10 .....               | 19, 25  |
| RC0/T1OSO/T1CKI/RP11 .....            | 20, 26  |
| RC1/T1OSI/UOE/RP12 .....              | 20, 26  |
| RC2/AN11/CTPLS/RP13 .....             | 20, 26  |
| RC4/D-/VM .....                       | 20, 26  |
| RC5/D+/VP .....                       | 20, 26  |
| RC6/PMA5/TX1/CK1/RP17 .....           | 26      |
| RC6/TX1/CK1/RP17 .....                | 20      |
| RC7/PMA4/RX1/DT1/SDO1/RP18 .....      | 26      |
| RC7/RX1/DT1/SDO1/RP18 .....           | 20      |
| RD0/PMD0/SCL2 .....                   | 27      |
| RD1/PMD1/SDA2 .....                   | 27      |
| RD2/PMD2/RP19 .....                   | 27      |
| RD3/PMD3/RP20 .....                   | 27      |
| RD4/PMD4/RP21 .....                   | 27      |
| RD5/PMD5/RP22 .....                   | 27      |
| RD6/PMD6/RP23 .....                   | 27      |
| RD7/PMD7/RP24 .....                   | 27      |
| RE0/AN5/PMRD .....                    | 28      |
| RE1/AN6/PMWR .....                    | 28      |
| RE2/AN7/PMCS .....                    | 28      |
| VDD .....                             | 21      |
| VDD1 .....                            | 28      |
| VDD2 .....                            | 28      |
| VDDCORE/VCAP .....                    | 21, 28  |
| VSS1 .....                            | 21, 28  |
| VSS2 .....                            | 21, 28  |
| VUSB .....                            | 21, 28  |
| Pinout I/O Descriptions               |         |
| PIC18F2XJ50 (28-Pin) .....            | 16      |
| PIC18F4XJ50 (44-Pin) .....            | 22      |
| PIR Registers .....                   | 120     |
| PLL Frequency Multiplier .....        | 38      |
| POP .....                             | 464     |



# PIC18F46J50 FAMILY

|   |        |  |       |
|---|--------|--|-------|
| POR. See Power-on Reset.                          |        | PUSH and POP Instructions .....                  | 80    |
| PORTA   |        | PUSHL .....                                      | 480   |
| Additional Pin Functions                          |        | PWM (CCP Module) .....                           | 250   |
| Ultra Low-Power Wake-up .....                     | 60     | Associated Registers .....                       | 252   |
| Associated Registers .....                        | 138    | Duty Cycle .....                                 | 250   |
| LATA Register .....                               | 136    | Example Frequencies/Resolutions .....            | 251   |
| PORTA Register .....                              | 136    | Operation Setup .....                            | 251   |
| TRISA Register .....                              | 136    | Period .....                                     | 250   |
| PORTB   |        | PR2/PR4 Registers .....                          | 250   |
| Associated Registers .....                        | 142    | TMR2 (TMR4) to PR2 (PR4) Match .....             | 250   |
| LATB Register .....                               | 139    | TMR4 to PR4 Match .....                          | 223   |
| PORTB Register .....                              | 139    | PWM (ECCP Module)                                |       |
| RB7:RB4 Interrupt-on-Change Flag (RBIF Bit) ..... | 139    | Effects of a Reset .....                         | 267   |
| TRISB Register .....                              | 139    | Operation in Power-Managed Modes .....           | 267   |
| PORTC   |        | Operation with Fail-Safe Clock Monitor .....     | 267   |
| Associated Registers .....                        | 145    | Pulse Steering .....                             | 264   |
| LATC Register .....                               | 143    | Steering Synchronization .....                   | 266   |
| PORTC Register .....                              | 143    | PWM Mode. See Enhanced Capture/Compare/PWM ..... | 253   |
| TRISC Register .....                              | 143    |  |       |
| PORTD   |        | <b>Q</b>   |       |
| Associated Registers .....                        | 147    | Q Clock .....                                    | 251   |
| LATD Register .....                               | 146    |  |       |
| PORTD Register .....                              | 146    | <b>R</b>   |       |
| TRISD Register .....                              | 146    | RAM. See Data Memory.                            |       |
| PORTE   |        | RBIF Bit .....                                   | 139   |
| Associated Registers .....                        | 149    | RC_IDLE Mode .....                               | 53    |
| LATE Register .....                               | 148    | RC_RUN Mode .....                                | 50    |
| PORTE Register .....                              | 148    | RCALL .....                                      | 465   |
| TRISE Register .....                              | 148    | RCON Register                                    |       |
| Power-Managed Modes                               |        | Bit Status During Initialization .....           | 68    |
| and EUSART Operation .....                        | 327    | Reader Response .....                            | 560   |
| and PWM Operation .....                           | 267    | Real-Time Clock and Calendar (RTCC) .....        | 225   |
| and SPI Operation .....                           | 278    | Operation .....                                  | 237   |
| Clock Sources .....                               | 47     | Registers .....                                  | 226   |
| Entering .....                                    | 47     | Reference Clock Output .....                     | 44    |
| Selecting .....                                   | 47     | Register File .....                              | 86    |
| Power-on Reset (POR) .....                        | 65     | Register File Summary .....                      | 89,95 |
| Power-up Delays .....                             | 45     | Registers  |       |
| Power-up Timer (PWRT) .....                       | 45, 66 | ADCON0 (A/D Control 0) .....                     | 347   |
| Time-out Sequence .....                           | 66     | ADCON1 (A/D Control 1) .....                     | 348   |
| Prescaler, Timer0 .....                           | 197    | ALRMCFG (Alarm Configuration) .....              | 229   |
| Prescaler, Timer2 (Timer4) .....                  | 251    | ALRMDAY (Alarm Day Value) .....                  | 234   |
| PRI_IDLE Mode .....                               | 52     | ALRMHR (Alarm Hours Value) .....                 | 235   |
| PRI_RUN Mode .....                                | 48     | ALRMMIN (Alarm Minutes Value) .....              | 236   |
| Product Identification System .....               | 561    | ALRMMNTH (Alarm Month Value) .....               | 234   |
| Program Counter .....                             | 79     | ALRMRPT (Alarm Repeat Counter) .....             | 230   |
| PCL, PCH and PCU Registers .....                  | 79     | ALRMSEC (Alarm Seconds Value) .....              | 236   |
| PCLATH and PCLATU Registers .....                 | 79     | ALRMWD (Alarm Weekday Value) .....               | 235   |
| Program Memory                                    |        | ANCON0 (A/D Port Configuration 2) .....          | 349   |
| ALU   |        | ANCON1 (A/D Port Configuration 1) .....          | 349   |
| STATUS .....                                      | 96     | Associated with Comparator .....                 | 385   |
| Extended Instruction Set .....                    | 99     | Associated with Program Flash Memory .....       | 112   |
| Flash Configuration Words .....                   | 78     | BAUDCONx (Baud Rate Control) .....               | 326   |
| Hard Memory Vectors .....                         | 78     | BDnSTAT .....                                    | 367   |
| Instructions .....                                | 83     | BDnSTAT (Buffer Descriptor n Status,             |       |
| Two-Word .....                                    | 83     | CPU Mode) .....                                  | 368   |
| Interrupt Vector .....                            | 78     | BDnSTAT (Buffer Descriptor n Status,             |       |
| Look-up Tables .....                              | 81     | SIE Mode) .....                                  | 369   |
| Memory Maps .....                                 | 77     | BDnSTAT (SIE Mode) .....                         | 369   |
| Hard Vectors and Configuration Words .....        | 78     | Buffer Descriptors, Summary .....                | 371   |
| Reset Vector .....                                | 78     | CCPxCON (Enhanced Capture/Compare/PWM x          |       |
| Program Verification and Code Protection .....    | 433    | Control) .....                                   | 246   |
| Programming, Device Instructions .....            | 435    | CMSTAT (Comparator Status) .....                 | 386   |
| Pulse Steering .....                              | 264    | CMxCON (Comparator Control x) .....              | 386   |
| PUSH .....  | 464    |  |       |

# PIC18F46J50 FAMILY

|  |     |   |         |
|--|-----|---|---------|
| CONFIG1H (Configuration 1 High) .....                            | 420 | PMSTATL (Parallel Port Status Low Byte) .....                     | 175     |
| CONFIG1L (Configuration 1 Low) .....                             | 419 | PORTE .....   | 148     |
| CONFIG2H (Configuration 2 High) .....                            | 422 | PPSCON (Peripheral Pin Select Input 0) .....                      | 155     |
| CONFIG2L (Configuration 2 Low) .....                             | 421 | PSTRxCON (Pulse Steering Control) .....                           | 265     |
| CONFIG3H (Configuration 3 High) .....                            | 424 | RCON (Reset Control) .....  | 64, 129 |
| CONFIG3L (Configuration 3 Low) .....                             | 423 | RCSTAx (Receive Status and Control) .....                         | 325     |
| CONFIG4H (Configuration 4 High) .....                            | 425 | REFOCON (Reference Oscillator Control) .....                      | 44      |
| CONFIG4L (Configuration 4 Low) .....                             | 424 | Reserved .....  | 231     |
| CTMUCONH (CTMU Control High) .....                               | 413 | RPINR1 (Peripheral Pin Select Input 1) .....                      | 156     |
| CTMUCONL (CTMU Control Low) .....                                | 414 | RPINR12 (Peripheral Pin Select Input 12) .....                    | 158     |
| CTMUICON (CTMU Current Control) .....                            | 415 | RPINR13 (Peripheral Pin Select Input 13) .....                    | 158     |
| CVRCON (Comparator Voltage Reference<br>Control) .....           | 392 | RPINR16 (Peripheral Pin Select Input 16) .....                    | 159     |
| DAY (Day Value) .....  | 232 | RPINR17 (Peripheral Pin Select Input 17) .....                    | 159     |
| DEVID1 (Device ID 1) .....                                       | 425 | RPINR2 (Peripheral Pin Select Input 2) .....                      | 156     |
| DEVID2 (Device ID 2) .....                                       | 426 | RPINR21 (Peripheral Pin Select Input 21) .....                    | 159     |
| DMACON1 (DMA Control 1) .....                                    | 282 | RPINR22 (Peripheral Pin Select Input 22) .....                    | 160     |
| DMACON2 (DMA Control 2) .....                                    | 283 | RPINR23 (Peripheral Pin Select Input 23) .....                    | 160     |
| DSCONH (Deep Sleep Control High Byte) .....                      | 57  | RPINR24 (Peripheral Pin Select Input 24) .....                    | 160     |
| DSCONL (Deep Sleep Control Low Byte) .....                       | 57  | RPINR3 (Peripheral Pin Select Input 3) .....                      | 156     |
| DSGPR0 (Deep Sleep Persistent General<br>Purpose 0) .....        | 58  | RPINR4 (Peripheral Pin Select Input 4) .....                      | 157     |
| DSGPR1 (Deep Sleep Persistent General<br>Purpose 1) .....        | 58  | RPINR6 (Peripheral Pin Select Input 6) .....                      | 157     |
| DSWAKEH (Deep Sleep Wake High Byte) .....                        | 59  | RPINR7 (Peripheral Pin Select Input 7) .....                      | 157     |
| DSWAKEL (Deep Sleep Wake Low Byte) .....                         | 59  | RPINR8 (Peripheral Pin Select Input 8) .....                      | 158     |
| ECCPxAS (ECCPx Auto-Shutdown Control) .....                      | 261 | RPOR0 (Peripheral Pin Select Output 0) .....                      | 161     |
| ECCPxDEL (Enhanced PWM Control) .....                            | 264 | RPOR1 (Peripheral Pin Select Output 1) .....                      | 161     |
| EECON1 (EEPROM Control 1) .....                                  | 105 | RPOR10 (Peripheral Pin Select Output 10) .....                    | 164     |
| HLVDCON (High/Low-Voltage Detect Control) .....                  | 395 | RPOR11 (Peripheral Pin Select Output 11) .....                    | 164     |
| HOURS (Hours Value) .....  | 233 | RPOR12 (Peripheral Pin Select Output 12) .....                    | 165     |
| I <sup>2</sup> C Mode (MSSP) .....                               | 288 | RPOR13 (Peripheral Pin Select Output 13) .....                    | 165     |
| INTCON (Interrupt Control) .....                                 | 117 | RPOR17 (Peripheral Pin Select Output 17) .....                    | 165     |
| INTCON2 (Interrupt Control 2) .....                              | 118 | RPOR18 (Peripheral Pin Select Output 18) .....                    | 166     |
| INTCON3 (Interrupt Control 3) .....                              | 119 | RPOR19 (Peripheral Pin Select Output 19) .....                    | 166     |
| IPR1 (Peripheral Interrupt Priority 1) .....                     | 126 | RPOR2 (Peripheral Pin Select Output 2) .....                      | 161     |
| IPR2 (Peripheral Interrupt Priority 2) .....                     | 127 | RPOR20 (Peripheral Pin Select Output 20) .....                    | 166     |
| IPR3 (Peripheral Interrupt Priority 3) .....                     | 128 | RPOR21 (Peripheral Pin Select Output 21) .....                    | 167     |
| MINUTES (Minutes Value) .....                                    | 233 | RPOR22 (Peripheral Pin Select Output 22) .....                    | 167     |
| MONTH (Month Value) .....  | 231 | RPOR23 (Peripheral Pin Select Output 23) .....                    | 167     |
| ODCON1 (Peripheral Open-Drain Control 1) .....                   | 134 | RPOR24 (Peripheral Pin Select Output 24) .....                    | 168     |
| ODCON2 (Peripheral Open-Drain Control 2) .....                   | 134 | RPOR3 (Peripheral Pin Select Output 3) .....                      | 162     |
| ODCON3 (Peripheral Open-Drain Control 3) .....                   | 135 | RPOR4 (Peripheral Pin Select Output 4) .....                      | 162     |
| OSCCON (Oscillator Control) .....                                | 43  | RPOR5 (Peripheral Pin Select Output 5) .....                      | 162     |
| OSCTUNE (Oscillator Tuning) .....                                | 40  | RPOR6 (Peripheral Pin Select Output 6) .....                      | 163     |
| PADCFG1 (Pad Configuration Control 1) .....                      | 135 | RPOR7 (Peripheral Pin Select Output 7) .....                      | 163     |
| PADCFG1 (Pad Configuration) .....                                | 228 | RPOR8 (Peripheral Pin Select Output 8) .....                      | 163     |
| Parallel Master Port .....                                       | 170 | RPOR9 (Peripheral Pin Select Output 9) .....                      | 164     |
| PIE1 (Peripheral Interrupt Enable 1) .....                       | 123 | RTCCAL (RTCC Calibration) .....                                   | 228     |
| PIE2 (Peripheral Interrupt Enable 2) .....                       | 124 | RTCCFG (RTCC Configuration) .....                                 | 227     |
| PIE3 (Peripheral Interrupt Enable 3) .....                       | 125 | SECONDS (Seconds Value) .....                                     | 233     |
| PIR1 (Peripheral Interrupt Request (Flag) 1) .....               | 120 | SPI Mode (MSSP) .....   | 271     |
| PIR2 (Peripheral Interrupt Request (Flag) 2) .....               | 121 | SSPxCON1 (MSSPx Control 1, I <sup>2</sup> C Mode) .....           | 290     |
| PIR3 (Peripheral Interrupt Request (Flag) 3) .....               | 122 | SSPxCON1 (MSSPx Control 1, SPI Mode) .....                        | 272     |
| PMADDRH (Parallel Port Address High Byte,<br>Master Modes) ..... | 177 | SSPxCON2 (MSSPx Control 2,<br>I <sup>2</sup> C Master Mode) ..... | 291     |
| PMADDRL (Parallel Port Address Low Byte,<br>Master Modes) .....  | 177 | SSPxCON2 (MSSPx Control 2, I <sup>2</sup> C Slave Mode) .....     | 292     |
| PMCONH (Parallel Port Control High Byte) .....                   | 170 | SSPxMSK (I <sup>2</sup> C Slave Address Mask) .....               | 292     |
| PMCONL (Parallel Port Control Low Byte) .....                    | 171 | SSPxSTAT (MSSPx Status, I <sup>2</sup> C Mode) .....              | 289     |
| PMEH (Parallel Port Enable High Byte) .....                      | 174 | SSPxSTAT (MSSPx Status, SPI Mode) .....                           | 271     |
| PMEL (Parallel Port Enable Low Byte) .....                       | 174 | STATUS .....  | 96      |
| PMMODEH (Parallel Port Mode High Byte) .....                     | 172 | STKPTR (Stack Pointer) .....                                      | 80      |
| PMMODEL (Parallel Port Mode Low Byte) .....                      | 173 | T0CON (Timer0 Control) .....                                      | 195     |
| PMSTATH (Parallel Port Status High Byte) .....                   | 175 | T1CON (Timer1 Control) .....                                      | 199     |
|  |     | T1GCON (Timer1 Gate Control) .....                                | 201     |
|  |     | T2CON (Timer2 Control) .....                                      | 211     |
|  |     | T3CON (Timer3 Control) .....                                      | 213     |
|  |     | T3GCON (Timer3 Gate Control) .....                                | 214     |

# PIC18F46J50 FAMILY

|  |          |  |     |
|--|----------|--|-----|
| T4CON (Timer4 Control) .....                 | 223      | Operation  |     |
| TCLKCON (Timer Clock Control) .....          | 202, 215 | Calibration .....                                      | 240 |
| TXSTAx (Transmit Status and Control) .....   | 324      | Clock Source .....                                     | 238 |
| UADDR .....                                  | 365      | Digit Carry Rules .....                                | 238 |
| UCFG (USB Configuration) .....               | 361      | General Functionality .....                            | 239 |
| UCON (USB Control) .....                     | 359      | Leap Year .....  | 239 |
| UEIE (USB Error Interrupt Enable) .....      | 377      | Register Mapping .....                                 | 239 |
| UEIR (USB Error Interrupt Status) .....      | 376      | ALRMVAL .....  | 240 |
| UEPn (USB Endpoint n Control) .....          | 364      | RTCVAL .....   | 240 |
| UFRMH:UFRML .....                            | 365      | Safety Window for Register Reads<br>and Writes .....   | 239 |
| UIE (USB Interrupt Enable) .....             | 375      | Write Lock .....                                       | 239 |
| UIR (USB Interrupt Status) .....             | 373      | Register Interface .....                               | 237 |
| USTAT (USB Status) .....                     | 363      | Register Maps .....                                    | 243 |
| WDTCON (Watchdog Timer Control) .....        | 428      | Alarm Value .....                                      | 243 |
| WKDY (Weekday Value) .....                   | 232      | RTCC Control .....                                     | 243 |
| YEAR (Year Value) .....                      | 231      | RTCC Value .....                                       | 243 |
| RESET .....                                  | 465      | Reset .....  | 242 |
| Reset .....                                  | 63       | Device .....   | 242 |
| Brown-out Reset .....                        | 65       | Power-on Reset (POR) .....                             | 242 |
| Brown-out Reset (BOR) .....                  | 63       | Value Registers (RTCVAL) .....                         | 231 |
| Configuration Mismatch (CM) .....            | 63       | RTCCEN Bit Write .....                                 | 237 |
| Configuration Mismatch Reset .....           | 66       | <b>S</b>   |     |
| Deep Sleep .....                             | 63       | SCKx .....   | 270 |
| Fast Register Stack .....                    | 81       | SDIx .....   | 270 |
| MCLR .....                                   | 65       | SDOx .....   | 270 |
| MCLR Reset, During Power-Managed Modes ..... | 63       | SEC_IDLE Mode .....                                    | 52  |
| MCLR Reset, Normal Operation .....           | 63       | SEC_RUN Mode .....                                     | 48  |
| Power-on Reset .....                         | 65       | Serial Clock, SCKx .....                               | 270 |
| Power-on Reset (POR) .....                   | 63       | Serial Data In (SDIx) .....                            | 270 |
| Power-up Timer .....                         | 66       | Serial Data Out (SDOx) .....                           | 270 |
| RESET Instruction .....                      | 63       | Serial Peripheral Interface. <i>See</i> SPI Mode.      |     |
| Stack Full Reset .....                       | 63       | SETF .....   | 469 |
| Stack Underflow Reset .....                  | 63       | Shoot-Through Current .....                            | 263 |
| State of Registers .....                     | 68       | Slave Select (SSx) .....                               | 270 |
| Watchdog Timer (WDT) Reset .....             | 63       | SLEEP .....  | 470 |
| Resets .....                                 | 417      | Software Simulator (MPLAB SIM) .....                   | 487 |
| Brown-out Reset (BOR) .....                  | 417      | Special Event Trigger. <i>See</i> Compare (ECCP Mode). |     |
| Oscillator Start-up Timer (OST) .....        | 417      | Special Features of the CPU .....                      | 417 |
| Power-on Reset (POR) .....                   | 417      | SPI Mode (MSSP) .....                                  | 270 |
| Power-up Timer (PWRT) .....                  | 417      | Associated Registers .....                             | 279 |
| RETFIE .....                                 | 466      | Bus Mode Compatibility .....                           | 278 |
| RETLW .....                                  | 466      | Clock Speed, Interactions .....                        | 278 |
| RETURN .....                                 | 467      | DMA Module .....                                       | 280 |
| Return Address Stack .....                   | 79       | I/O Pin Considerations .....                           | 280 |
| Associated Registers .....                   | 79       | Idle and Sleep .....                                   | 280 |
| Revision History .....                       | 545      | RAM to RAM Copy .....                                  | 280 |
| RLCF .....                                   | 467      | Registers .....  | 280 |
| RLNCF .....                                  | 468      | Effects of a Reset .....                               | 278 |
| RRCF .....                                   | 468      | Enabling SPI I/O .....                                 | 274 |
| RRNCF .....                                  | 469      | Master Mode .....                                      | 275 |
| RTCC   |          | Master/Slave Connection .....                          | 274 |
| Alarm .....                                  | 241      | Operation .....  | 273 |
| Configuring .....                            | 241      | Open-Drain Output Option .....                         | 273 |
| Interrupt .....                              | 242      | Operation in Power-Managed Modes .....                 | 278 |
| Mask Settings .....                          | 241      | Registers .....  | 271 |
| Alarm Value Registers (ALRMVAL) .....        | 234      | Serial Clock .....                                     | 270 |
| Control Registers .....                      | 227      | Serial Data In .....                                   | 270 |
| Low-Power Modes .....                        | 242      | Serial Data Out .....                                  | 270 |
|  |          | Slave Mode .....                                       | 276 |
|  |          | Slave Select .....                                     | 270 |
|  |          | Slave Select Synchronization .....                     | 276 |

# PIC18F46J50 FAMILY

|   |          |   |          |
|---|----------|---|----------|
| SPI Clock .....                           | 275      | Timer4 .....  | 223      |
| SSPxBUF Register .....                    | 275      | Associated Registers .....                                    | 224      |
| SSPxSR Register .....                     | 275      | Interrupt .....   | 224      |
| Typical Connection .....                  | 274      | MSSP Clock Shift .....  | 224      |
| SSPOV .....                               | 313      | Operation .....   | 223      |
| SSPOV Status Flag .....                   | 313      | Output .....  | 224      |
| SSPxSTAT Register                         |          | Postscaler. See Postscaler, Timer4.                           |          |
| R/W Bit .....                             | 293, 296 | PR4 Register .....  | 223      |
| SSx .....                                 | 270      | Prescaler. See Prescaler, Timer4.                             |          |
| Stack Full/Underflow Resets .....         | 81       | TMR4 Register .....   | 223      |
| SUBFSR .....                              | 481      | TMR4 to PR4 Match Interrupt .....                             | 223, 224 |
| SUBFWB .....                              | 470      | Timing Diagrams   |          |
| SUBLW .....                               | 471      | A/D Conversion .....  | 529      |
| SUBULNK .....                             | 481      | Asynchronous Reception .....                                  | 337      |
| SUBWLF .....                              | 471      | Asynchronous Transmission .....                               | 334      |
| SUBWFB .....                              | 472      | Asynchronous Transmission (Back-to-Back) .....                | 334      |
| SWAPF .....                               | 472      | Automatic Baud Rate Calculation .....                         | 332      |
| <b>T</b>                                  |          | Auto-Wake-up Bit (WUE) During Normal                          |          |
| Table Pointer Operations (table) .....    | 106      | Operation .....   | 339      |
| Table Reads/Table Writes .....            | 81       | Auto-Wake-up Bit (WUE) During Sleep .....                     | 339      |
| TAD .....                                 | 353      | Baud Rate Generator with Clock Arbitration .....              | 311      |
| TBLRD .....                               | 473      | BRG Overflow Sequence .....                                   | 332      |
| TBLWT .....                               | 474      | BRG Reset Due to SDAx Arbitration During                      |          |
| Timer0 .....                              | 195      | Start Condition .....   | 319      |
| Associated Registers .....                | 197      | Bus Collision During a Repeated Start                         |          |
| Operation .....                           | 196      | Condition (Case 1) .....                                      | 320      |
| Overflow Interrupt .....                  | 197      | Bus Collision During a Repeated Start                         |          |
| Prescaler .....                           | 197      | Condition (Case 2) .....                                      | 320      |
| Switching Assignment .....                | 197      | Bus Collision During a Start Condition                        |          |
| Prescaler Assignment (PSA Bit) .....      | 197      | (SCLx = 0) .....  | 319      |
| Prescaler Select (T0PS2:T0PS0 Bits) ..... | 197      | Bus Collision During a Stop Condition (Case 1) .....          | 321      |
| Reads and Writes in 16-Bit Mode .....     | 196      | Bus Collision During a Stop Condition (Case 2) .....          | 321      |
| Source Edge Select (T0SE Bit) .....       | 196      | Bus Collision During Start Condition                          |          |
| Source Select (T0CS Bit) .....            | 196      | (SDAx Only) .....   | 318      |
| Timer1 .....                              | 199      | Bus Collision for Transmit and Acknowledge .....              | 317      |
| 16-Bit Read/Write Mode .....              | 205      | CLKO and I/O .....  | 512      |
| Associated Registers .....                | 210      | Clock Synchronization .....                                   | 304      |
| Clock Source Selection .....              | 203      | Clock/Instruction Cycle .....                                 | 82       |
| Gate .....                                | 207      | Enhanced Capture/Compare/PWM .....                            | 516      |
| Interrupt .....                           | 206      | EUSARTx Synchronous Receive                                   |          |
| Operation .....                           | 203      | (Master/Slave) .....  | 528      |
| Oscillator .....                          | 199, 205 | EUSARTx Synchronous Transmission                              |          |
| Layout Considerations .....               | 206      | (Master/Slave) .....  | 528      |
| Resetting, Using the ECCP Special         |          | Example SPI Master Mode (CKE = 0) .....                       | 520      |
| Event Trigger .....                       | 207      | Example SPI Master Mode (CKE = 1) .....                       | 521      |
| TMR1H Register .....                      | 199      | Example SPI Slave Mode (CKE = 0) .....                        | 522      |
| TMR1L Register .....                      | 199      | Example SPI Slave Mode (CKE = 1) .....                        | 523      |
| Use as a Clock Source .....               | 206      | External Clock .....  | 510      |
| Timer2 .....                              | 211      | Fail-Safe Clock Monitor .....                                 | 432      |
| Associated Registers .....                | 212      | First Start Bit .....   | 311      |
| Interrupt .....                           | 212      | Full-Bridge PWM Output .....                                  | 258      |
| Operation .....                           | 211      | Half-Bridge PWM Output .....                                  | 256, 263 |
| Output .....                              | 212      | High/Low-Voltage Detect Characteristics .....                 | 507      |
| Timer3 .....                              | 213      | High-Voltage Detect (VDIRMAG = 1) .....                       | 399      |
| 16-Bit Read/Write Mode .....              | 217      | I <sup>2</sup> C Bus Data .....                               | 524      |
| Associated Registers .....                | 221      | I <sup>2</sup> C Acknowledge Sequence .....                   | 316      |
| Gate .....                                | 217      | I <sup>2</sup> C Bus Start/Stop Bits .....                    | 524      |
| Operation .....                           | 216      | I <sup>2</sup> C Master Mode (7 or 10-Bit Transmission) ..... | 314      |
| Oscillator .....                          | 213, 217 | I <sup>2</sup> C Master Mode (7-Bit Reception) .....          | 315      |
| Overflow Interrupt .....                  | 213, 221 | I <sup>2</sup> C Slave Mode (10-Bit Reception, SEN = 0,       |          |
| Special Event Trigger (ECCP) .....        | 221      | ADMSK = 01001) .....  | 300      |
| TMR3H Register .....                      | 213      | I <sup>2</sup> C Slave Mode (10-Bit Reception, SEN = 0) ..... | 301      |
| TMR3L Register .....                      | 213      | I <sup>2</sup> C Slave Mode (10-Bit Reception, SEN = 1) ..... | 306      |
|   |          | I <sup>2</sup> C Slave Mode (10-Bit Transmission) .....       | 302      |

# PIC18F46J50 FAMILY

|   |          |   |     |
|---|----------|---|-----|
| I <sup>2</sup> C Slave Mode (7-Bit Reception, SEN = 0, ADMSK = 01011) .....                   | 298      | Timer1 Gate Single Pulse/Toggle Combined Mode .....   | 210 |
| I <sup>2</sup> C Slave Mode (7-Bit Reception, SEN = 0) .....                                  | 297      | Timer1 Gate Toggle Mode .....   | 208 |
| I <sup>2</sup> C Slave Mode (7-Bit Reception, SEN = 1) .....                                  | 305      | Timer3 Gate Count Enable Mode .....   | 217 |
| I <sup>2</sup> C Slave Mode (7-Bit Transmission) .....  | 299      | Timer3 Gate Single Pulse Mode .....   | 219 |
| I <sup>2</sup> C Slave Mode General Call Address Sequence (7 or 10-Bit Addressing Mode) ..... | 307      | Timer3 Gate Single Pulse/Toggle Combined Mode .....   | 220 |
| I <sup>2</sup> C Stop Condition Receive or Transmit Mode .....                                | 316      | Timer3 Gate Toggle Mode .....   | 218 |
| Low-Voltage Detect (VDIRMAG = 0) .....  | 398      | Transition for Entry to Idle Mode .....   | 52  |
| MSSPx I <sup>2</sup> C Bus Data .....   | 526      | Transition for Entry to SEC_RUN Mode .....  | 49  |
| MSSPx I <sup>2</sup> C Bus Start/Stop Bits .....  | 526      | Transition for Entry to Sleep Mode .....  | 51  |
| Parallel Master Port Read .....   | 517      | Transition for Two-Speed Start-up (INTRC to HSPLL) .....  | 431 |
| Parallel Master Port Write .....  | 518      | Transition for Wake From Idle to Run Mode .....   | 53  |
| Parallel Slave Port .....   | 519      | Transition for Wake From Sleep (HSPLL) .....  | 51  |
| Parallel Slave Port Read .....  | 179, 181 | Transition From RC_RUN Mode to PRI_RUN Mode .....   | 50  |
| Parallel Slave Port Write .....   | 179, 182 | Transition From SEC_RUN Mode to PRI_RUN Mode (HSPLL) .....  | 49  |
| PWM Auto-Shutdown with Auto-Restart Enabled .....   | 262      | Transition to RC_RUN Mode .....   | 50  |
| PWM Auto-Shutdown with Firmware Restart .....   | 262      | USB Signal .....  | 530 |
| PWM Direction Change .....  | 259      | Write, 16-Bit Data, Demultiplexed Address .....   | 189 |
| PWM Direction Change at Near 100% Duty Cycle .....  | 260      | Write, 16-Bit Multiplexed Data, Fully Multiplexed 16-Bit Address .....                                  | 190 |
| PWM Output .....  | 250      | Write, 16-Bit Multiplexed Data, Partially Multiplexed Address .....                                     | 190 |
| PWM Output (Active-High) .....  | 254      | Write, 8-Bit Data, Fully Multiplexed 16-Bit Address .....   | 188 |
| PWM Output (Active-Low) .....   | 255      | Write, 8-Bit Data, Partially Multiplexed Address .....  | 187 |
| Read and Write, 8-Bit Data, Demultiplexed Address .....                                       | 186      | Write, 8-Bit Data, Partially Multiplexed Address, Enable Strobe .....                                   | 188 |
| Read, 16-Bit Data, Demultiplexed Address .....  | 189      | Write, 8-Bit Data, Wait States Enabled, Partially Multiplexed Address .....                             | 187 |
| Read, 16-Bit Multiplexed Data, Fully Multiplexed 16-Bit Address .....                         | 190      |   |     |
| Read, 16-Bit Multiplexed Data, Partially Multiplexed Address .....                            | 189      |   |     |
| Read, 8-Bit Data, Fully Multiplexed 16-Bit Address .....                                      | 188      |   |     |
| Read, 8-Bit Data, Partially Multiplexed Address .....   | 186      |   |     |
| Read, 8-Bit Data, Partially Multiplexed Address, Enable Strobe .....                          | 187      |   |     |
| Read, 8-Bit Data, Wait States Enabled, Partially Multiplexed Address .....                    | 186      |   |     |
| Repeated Start Condition .....  | 312      |   |     |
| Reset, Watchdog Timer (WDT), Oscillator Start-up Timer (OST) and Power-up Timer (PWRT) .....  | 513      |   |     |
| Send Break Character Sequence .....   | 340      |   |     |
| Slave Synchronization .....   | 276      |   |     |
| Slow Rise Time (MCLR Tied to VDD, VDD Rise > TPWRT) .....                                     | 67       |   |     |
| SPI Mode (Master Mode) .....  | 275      |   |     |
| SPI Mode (Slave Mode, CKE = 0) .....  | 277      |   |     |
| SPI Mode (Slave Mode, CKE = 1) .....  | 277      |   |     |
| Steering Event at Beginning of Instruction (STRSYNC = 1) .....                                | 266      |   |     |
| Steering Event at End of Instruction (STRSYNC = 0) .....                                      | 266      |   |     |
| Synchronous Reception (Master Mode, SREN) .....   | 343      |   |     |
| Synchronous Transmission .....  | 341      |   |     |
| Synchronous Transmission (Through TXEN) .....   | 342      |   |     |
| Time-out Sequence on Power-up (MCLR Not Tied to VDD), Case 1 .....                            | 67       |   |     |
| Time-out Sequence on Power-up (MCLR Not Tied to VDD), Case 2 .....                            | 67       |   |     |
| Time-out Sequence on Power-up (MCLR Tied to VDD, VDD Rise < TPWRT) .....                      | 66       |   |     |
| Timer Pulse Generation .....  | 242      |   |     |
| Timer0 and Timer1 External Clock .....  | 515      |   |     |
| Timer1 Gate Count Enable Mode .....   | 207      |   |     |
| Timer1 Gate Single Pulse Mode .....   | 209      |   |     |
|   |          | Timing Diagrams and Specifications  |     |
|   |          | AC Characteristics  |     |
|   |          | Internal RC Accuracy .....  | 511 |
|   |          | CLKO and I/O Requirements .....   | 512 |
|   |          | Enhanced Capture/Compare/PWM Requirements .....   | 516 |
|   |          | EUSARTx Synchronous Receive Requirements .....  | 528 |
|   |          | EUSARTx Synchronous Transmission Requirements .....   | 528 |
|   |          | Example SPI Mode Requirements (Master Mode, CKE = 0) .....  | 520 |
|   |          | Example SPI Mode Requirements (Master Mode, CKE = 1) .....  | 521 |
|   |          | Example SPI Mode Requirements (Slave Mode, CKE = 0) .....   | 522 |
|   |          | Example SPI Slave Mode Requirements (CKE = 1) .....   | 523 |
|   |          | External Clock Requirements .....   | 510 |
|   |          | I <sup>2</sup> C Bus Data Requirements (Slave Mode) .....   | 525 |
|   |          | I <sup>2</sup> C Bus Start/Stop Bits Requirements (Slave Mode) .....                                    | 524 |
|   |          | Low-Power Wake-up Time .....  | 514 |
|   |          | MSSPx I <sup>2</sup> C Bus Data Requirements .....  | 527 |
|   |          | MSSPx I <sup>2</sup> C Bus Start/Stop Bits Requirements .....   | 526 |
|   |          | Parallel Master Port Read Requirements .....  | 517 |
|   |          | Parallel Master Port Write Requirements .....   | 518 |
|   |          | Parallel Slave Port Requirements .....  | 519 |
|   |          | PLL Clock .....   | 511 |
|   |          | Reset, Watchdog Timer, Oscillator Start-up Timer, Power-up Timer and Brown-out Reset Requirements ..... | 513 |
|   |          | Timer0 and Timer1 External Clock Requirements .....   | 515 |

# PIC18F46J50 FAMILY

---

|                                   |          |
|-----------------------------------|----------|
| USB Full-Speed Requirements ..... | 530      |
| USB Low-Speed Requirements .....  | 530      |
| TSTFSZ .....                      | 475      |
| Two-Speed Start-up .....          | 417, 431 |
| Two-Word Instructions             |          |
| Example Cases .....               | 83       |
| TXSTAx Register                   |          |
| BRGH Bit .....                    | 327      |

## U

|   |          |
|---|----------|
| ULPWU Specifications .....                    | 505      |
| Ultra Low-Power Wake-up .....                 | 60       |
| Universal Serial Bus .....                    | 357      |
| Address Register (UADDR) .....                | 365      |
| Associated Registers .....                    | 381      |
| Buffer Descriptor Table .....                 | 366      |
| Buffer Descriptors .....                      | 366      |
| Address Validation .....                      | 369      |
| Assignment in Different Buffering Modes ..... | 371      |
| BDnSTAT Register (CPU Mode) .....             | 367      |
| BDnSTAT Register (SIE Mode) .....             | 369      |
| Byte Count .....                              | 369      |
| Example .....                                 | 366      |
| Memory Map .....                              | 370      |
| Ownership .....                               | 366      |
| Ping-Pong Buffering .....                     | 370      |
| Register Summary .....                        | 371      |
| Status and Configuration .....                | 366      |
| Endpoint Control .....                        | 364      |
| External Pull-up Resistors .....              | 362      |
| Eye Pattern Test Enable .....                 | 362      |
| Firmware and Drivers .....                    | 381      |
| Frame Number Registers .....                  | 365      |
| Internal Pull-up Resistors .....              | 362      |
| Internal Transceiver .....                    | 360      |
| Interrupts .....                              | 372      |
| and USB Transactions .....                    | 372      |
| Oscillator Requirements .....                 | 381      |
| Overview .....                                | 357, 382 |
| Class Specifications and Drivers .....        | 383      |
| Descriptors .....                             | 383      |
| Enumeration .....                             | 383      |
| Frames .....                                  | 382      |
| Layered Framework .....                       | 382      |
| Power .....                                   | 382      |
| Speed .....                                   | 383      |
| Transfer Types .....                          | 382      |

|  |     |
|--|-----|
| Ping-Pong Buffer Configuration .....       | 362 |
| Power Modes .....                          | 378 |
| Bus Power Only .....                       | 378 |
| Dual Power with Self-Power Dominance ..... | 378 |
| Self-Power Only .....                      | 378 |
| Transceiver Current Consumption .....      | 379 |
| RAM .....                                  | 365 |
| Memory Map .....                           | 365 |
| Status and Control .....                   | 358 |
| UFRMH:UFRML Registers .....                | 365 |
| USB Specifications .....                   | 506 |
| USB. See Universal Serial Bus.             |     |

## V

|  |     |
|--|-----|
| Voltage Reference Specifications ..... | 505 |
| Voltage Regulator (On-Chip) .....      | 429 |
| Operation in Sleep Mode .....          | 430 |

## W

|                                  |                    |
|----------------------------------|--------------------|
| Watchdog Timer (WDT) .....       | 417, 427           |
| Associated Registers .....       | 428                |
| Control Register .....           | 427                |
| During Oscillator Failure .....  | 432                |
| Programming Considerations ..... | 427                |
| WCOL .....                       | 311, 312, 313, 316 |
| WCOL Status Flag .....           | 311, 312, 313, 316 |
| WWW Address .....                | 559                |
| WWW, On-Line Support .....       | 9                  |

## X

|             |     |
|-------------|-----|
| XORLW ..... | 475 |
| XORWF ..... | 476 |

## THE MICROCHIP WEB SITE

Microchip provides online support via our WWW site at [www.microchip.com](http://www.microchip.com). This web site is used as a means to make files and information easily available to customers. Accessible by using your favorite Internet browser, the web site contains the following information:

- **Product Support** – Data sheets and errata, application notes and sample programs, design resources, user's guides and hardware support documents, latest software releases and archived software
- **General Technical Support** – Frequently Asked Questions (FAQ), technical support requests, online discussion groups, Microchip consultant program member listing
- **Business of Microchip** – Product selector and ordering guides, latest Microchip press releases, listing of seminars and events, listings of Microchip sales offices, distributors and factory representatives

## CUSTOMER CHANGE NOTIFICATION SERVICE

Microchip's customer notification service helps keep customers current on Microchip products. Subscribers will receive e-mail notification whenever there are changes, updates, revisions or errata related to a specified product family or development tool of interest.

To register, access the Microchip web site at [www.microchip.com](http://www.microchip.com). Under "Support", click on "Customer Change Notification" and follow the registration instructions.

## CUSTOMER SUPPORT

Users of Microchip products can receive assistance through several channels:

- Distributor or Representative
- Local Sales Office
- Field Application Engineer (FAE)
- Technical Support
- Development Systems Information Line

Customers should contact their distributor, representative or field application engineer (FAE) for support. Local sales offices are also available to help customers. A listing of sales offices and locations is included in the back of this document.

**Technical support is available through the web site at: <http://microchip.com/support>**

# PIC18F46J50 FAMILY

---

---

## READER RESPONSE

It is our intention to provide you with the best documentation possible to ensure successful use of your Microchip product. If you wish to provide your comments on organization, clarity, subject matter, and ways in which our documentation can better serve you, please FAX your comments to the Technical Publications Manager at (480) 792-4150.

Please list the following information, and use this outline to provide us with your comments about this document.

TO: Technical Publications Manager Total Pages Sent \_\_\_\_\_

RE: Reader Response

From: Name \_\_\_\_\_

Company \_\_\_\_\_

Address \_\_\_\_\_

City / State / ZIP / Country \_\_\_\_\_

Telephone: (\_\_\_\_\_) \_\_\_\_\_ - \_\_\_\_\_ FAX: (\_\_\_\_\_) \_\_\_\_\_ - \_\_\_\_\_

Application (optional):

Would you like a reply?  Y  N

Device: PIC18F46J50 Family

Literature Number: DS39931D

Questions:

1. What are the best features of this document?

---

---

2. How does this document meet your hardware and software development needs?

---

---

3. Do you find the organization of this document easy to follow? If not, why?

---

---

4. What additions to the document do you think would enhance the structure and subject?

---

---

5. What deletions from the document could be made without affecting the overall usefulness?

---

---

6. Is there any incorrect or misleading information (what and where)?

---

---

7. How would you improve this document?

---

---



# PIC18F46J50 FAMILY

## PRODUCT IDENTIFICATION SYSTEM

To order or obtain information, e.g., on pricing or delivery, refer to the factory or the listed sales office.

| <u>PART NO.</u>   | <u>X</u>   | <u>/XX</u> | <u>XXX</u> |
|-------------------|--|------------|------------|
| Device            | Temperature Range  | Package    | Pattern    |
| Device            | PIC18F24J50<br>PIC18F25J50<br>PIC18F26J50<br>PIC18F44J50<br>PIC18F45J50<br>PIC18F46J50<br>PIC18LF24J50<br>PIC18LF25J50<br>PIC18LF26J50<br>PIC18LF44J50<br>PIC18LF45J50<br>PIC18LF46J50 |            |            |
| Temperature Range | I = -40°C to +85°C (Industrial)  |            |            |
| Package           | SP = Skinny PDIP<br>SS = SSOP<br>SO = SOIC<br>ML = QFN<br>PT = TQFP (Thin Quad Flatpack)   |            |            |
| Pattern           | QTP, SQTP, Code or Special Requirements<br>(blank otherwise)   |            |            |

**Examples:**

a) PIC18F46J50-I/PT 301 = Industrial temp., TQFP package, QTP pattern #301.

b) PIC18F46J50T-I/PT = Tape and reel, Industrial temp., TQFP package.



# MICROCHIP

## Worldwide Sales and Service

### AMERICAS

**Corporate Office**  
2355 West Chandler Blvd.  
Chandler, AZ 85224-6199  
Tel: 480-792-7200  
Fax: 480-792-7277  
Technical Support:  
<http://www.microchip.com/support>  
Web Address:  
[www.microchip.com](http://www.microchip.com)

**Atlanta**  
Duluth, GA  
Tel: 678-957-9614  
Fax: 678-957-1455

**Boston**  
Westborough, MA  
Tel: 774-760-0087  
Fax: 774-760-0088

**Chicago**  
Itasca, IL  
Tel: 630-285-0071  
Fax: 630-285-0075

**Cleveland**  
Independence, OH  
Tel: 216-447-0464  
Fax: 216-447-0643

**Dallas**  
Addison, TX  
Tel: 972-818-7423  
Fax: 972-818-2924

**Detroit**  
Farmington Hills, MI  
Tel: 248-538-2250  
Fax: 248-538-2260

**Indianapolis**  
Noblesville, IN  
Tel: 317-773-8323  
Fax: 317-773-5453

**Los Angeles**  
Mission Viejo, CA  
Tel: 949-462-9523  
Fax: 949-462-9608

**Santa Clara**  
Santa Clara, CA  
Tel: 408-961-6444  
Fax: 408-961-6445

**Toronto**  
Mississauga, Ontario,  
Canada  
Tel: 905-673-0699  
Fax: 905-673-6509

### ASIA/PACIFIC

**Asia Pacific Office**  
Suites 3707-14, 37th Floor  
Tower 6, The Gateway  
Harbour City, Kowloon  
Hong Kong  
Tel: 852-2401-1200  
Fax: 852-2401-3431

**Australia - Sydney**  
Tel: 61-2-9868-6733  
Fax: 61-2-9868-6755

**China - Beijing**  
Tel: 86-10-8528-2100  
Fax: 86-10-8528-2104

**China - Chengdu**  
Tel: 86-28-8665-5511  
Fax: 86-28-8665-7889

**China - Chongqing**  
Tel: 86-23-8980-9588  
Fax: 86-23-8980-9500

**China - Hong Kong SAR**  
Tel: 852-2401-1200  
Fax: 852-2401-3431

**China - Nanjing**  
Tel: 86-25-8473-2460  
Fax: 86-25-8473-2470

**China - Qingdao**  
Tel: 86-532-8502-7355  
Fax: 86-532-8502-7205

**China - Shanghai**  
Tel: 86-21-5407-5533  
Fax: 86-21-5407-5066

**China - Shenyang**  
Tel: 86-24-2334-2829  
Fax: 86-24-2334-2393

**China - Shenzhen**  
Tel: 86-755-8203-2660  
Fax: 86-755-8203-1760

**China - Wuhan**  
Tel: 86-27-5980-5300  
Fax: 86-27-5980-5118

**China - Xian**  
Tel: 86-29-8833-7252  
Fax: 86-29-8833-7256

**China - Xiamen**  
Tel: 86-592-2388138  
Fax: 86-592-2388130

**China - Zhuhai**  
Tel: 86-756-3210040  
Fax: 86-756-3210049

### ASIA/PACIFIC

**India - Bangalore**  
Tel: 91-80-3090-4444  
Fax: 91-80-3090-4123

**India - New Delhi**  
Tel: 91-11-4160-8631  
Fax: 91-11-4160-8632

**India - Pune**  
Tel: 91-20-2566-1512  
Fax: 91-20-2566-1513

**Japan - Yokohama**  
Tel: 81-45-471- 6166  
Fax: 81-45-471-6122

**Korea - Daegu**  
Tel: 82-53-744-4301  
Fax: 82-53-744-4302

**Korea - Seoul**  
Tel: 82-2-554-7200  
Fax: 82-2-558-5932 or  
82-2-558-5934

**Malaysia - Kuala Lumpur**  
Tel: 60-3-6201-9857  
Fax: 60-3-6201-9859

**Malaysia - Penang**  
Tel: 60-4-227-8870  
Fax: 60-4-227-4068

**Philippines - Manila**  
Tel: 63-2-634-9065  
Fax: 63-2-634-9069

**Singapore**  
Tel: 65-6334-8870  
Fax: 65-6334-8850

**Taiwan - Hsin Chu**  
Tel: 886-3-6578-300  
Fax: 886-3-6578-370

**Taiwan - Kaohsiung**  
Tel: 886-7-213-7830  
Fax: 886-7-330-9305

**Taiwan - Taipei**  
Tel: 886-2-2500-6610  
Fax: 886-2-2508-0102

**Thailand - Bangkok**  
Tel: 66-2-694-1351  
Fax: 66-2-694-1350

### EUROPE

**Austria - Wels**  
Tel: 43-7242-2244-39  
Fax: 43-7242-2244-393

**Denmark - Copenhagen**  
Tel: 45-4450-2828  
Fax: 45-4485-2829

**France - Paris**  
Tel: 33-1-69-53-63-20  
Fax: 33-1-69-30-90-79

**Germany - Munich**  
Tel: 49-89-627-144-0  
Fax: 49-89-627-144-44

**Italy - Milan**  
Tel: 39-0331-742611  
Fax: 39-0331-466781

**Netherlands - Drunen**  
Tel: 31-416-690399  
Fax: 31-416-690340

**Spain - Madrid**  
Tel: 34-91-708-08-90  
Fax: 34-91-708-08-91

**UK - Wokingham**  
Tel: 44-118-921-5869  
Fax: 44-118-921-5820

02/18/11



Компания «ЭлектроПласт» предлагает заключение долгосрочных отношений при поставках импортных электронных компонентов на взаимовыгодных условиях!

Наши преимущества:

- Оперативные поставки широкого спектра электронных компонентов отечественного и импортного производства напрямую от производителей и с крупнейших мировых складов;
- Поставка более 17-ти миллионов наименований электронных компонентов;
- Поставка сложных, дефицитных, либо снятых с производства позиций;
- Оперативные сроки поставки под заказ (от 5 рабочих дней);
- Экспресс доставка в любую точку России;
- Техническая поддержка проекта, помощь в подборе аналогов, поставка прототипов;
- Система менеджмента качества сертифицирована по Международному стандарту ISO 9001;
- Лицензия ФСБ на осуществление работ с использованием сведений, составляющих государственную тайну;
- Поставка специализированных компонентов (Xilinx, Altera, Analog Devices, Intersil, Interpoint, Microsemi, Aeroflex, Peregrine, Syfer, Eurofarad, Texas Instrument, Miteq, Cobham, E2V, MA-COM, Hittite, Mini-Circuits, General Dynamics и др.);

Помимо этого, одним из направлений компании «ЭлектроПласт» является направление «Источники питания». Мы предлагаем Вам помощь Конструкторского отдела:

- Подбор оптимального решения, техническое обоснование при выборе компонента;
- Подбор аналогов;
- Консультации по применению компонента;
- Поставка образцов и прототипов;
- Техническая поддержка проекта;
- Защита от снятия компонента с производства.



#### Как с нами связаться

**Телефон:** 8 (812) 309 58 32 (многоканальный)

**Факс:** 8 (812) 320-02-42

**Электронная почта:** [org@eplast1.ru](mailto:org@eplast1.ru)

**Адрес:** 198099, г. Санкт-Петербург, ул. Калинина, дом 2, корпус 4, литера А.