

# SM843031-01



## ClockWorks™ 10-Gigabit Ethernet, 312.5MHz, Ultra-Low Jitter LVPECL Clock Frequency Synthesizer

### General Description

The SM843031-01 is a 10-Gigabit Ethernet, 312.5MHz LVPECL clock frequency synthesizer and a member of the ClockWorks™ family of devices from Micrel. It provides a low-noise timing solution for high-speed, high-accuracy synthesis of clock signals. It includes a patented RotaryWave® architecture that provides a very stable clock with very low noise.

Power supplies of either 2.5V or 3.3V are supported, with superior jitter and phase noise performance. The device synthesizes a 312.5MHz, low-noise, LVPECL output for Ethernet applications. The crystal reference frequency used is 25MHz.

The SM843031-01 is an excellent replacement for IDT FemtoClocks®, with improved waveform integrity, and jitter.

Data sheets and support documentation can be found on Micrel's web site at: [www.micrel.com](http://www.micrel.com).

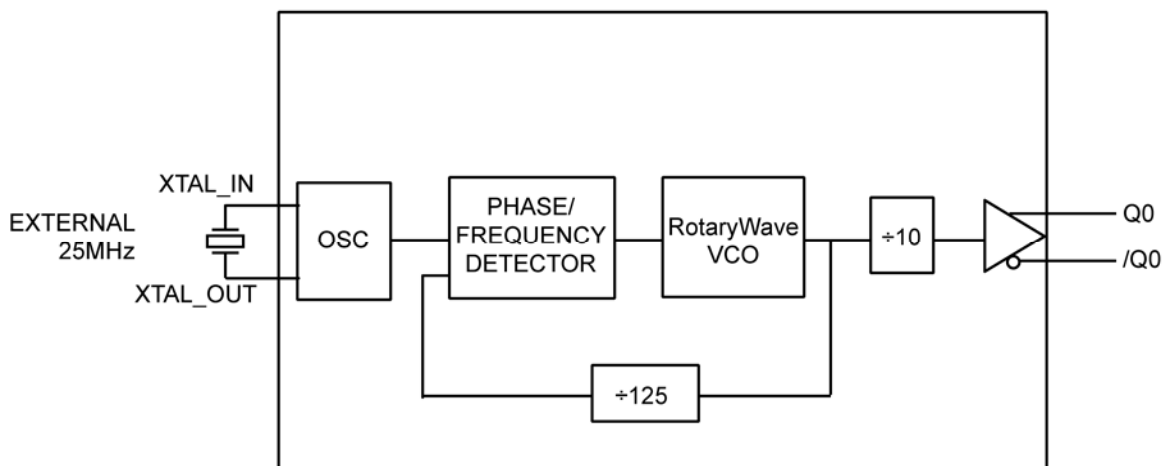
### Features

- Generates a low noise LVPECL output
- 2.5V or 3.3V operating range
- Typical phase jitter @ 312.5MHz (1.875MHz to 20MHz): 119 fs (typical) @ 3.3V
- Crystal frequency: 25MHz
- 312.5MHz Output frequency
- Industrial temperature range
- Green-, RoHS-, and PFOS-compliant
- Available in 8-pin TSSOP

### Applications

- Gigabit Ethernet
- 10-Gigabit Ethernet

### Block Diagram



ClockWorks is a trademark of Micrel, Inc.  
RotaryWave is a registered trademark of Multigig, Inc.  
FemtoClocks is a registered trademark of IDT, Inc.

Micrel Inc. • 2180 Fortune Drive • San Jose, CA 95131 • USA • tel +1 (408) 944-0800 • fax + 1 (408) 474-1000 • <http://www.micrel.com>

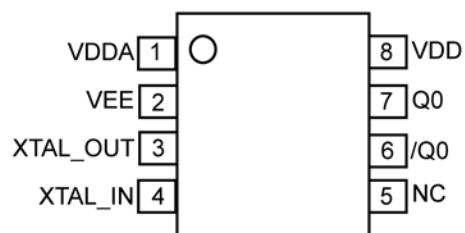
## Ordering Information<sup>(1)</sup>

Part Number	Package Type	Operating Range	Package Marking
SM843031-01KA	K-8	Industrial	843031-01
SM843031-01KA TR <sup>(2)</sup>	K-8	Industrial	843031-01

### Notes:

1. Devices are Green-, RoHS-, and PFOS-compliant.
2. Tape and Reel.

## Pin Configuration



8-Pin TSSOP (K-8)

(Top View)

## Pin Description

Pin Number	Pin Name	Pin Type	Pin Level	Pin Function
1	V <sub>DDA</sub>	PWR		Analog 2.5V or 3.3V Power Supply. No filter resistor needed.
2	V <sub>EE</sub>	PWR		Ground.
3	XTAL_OUT	O, (SE)	12pF crystal	Crystal Reference Output, no load caps needed.
4	XTAL_IN	I, (SE)	12pF crystal	Crystal Reference Input, no load caps needed.
5	NC	–		No Connect
6	/Q0	O, (DIF)	LVPECL	Differential Clock Output
7	Q0	O, (DIF)	LVPECL	Differential Clock Output
8	V <sub>DD</sub>	PWR		2.5V or 3.3V Power Supply

**Absolute Maximum Ratings<sup>(1)</sup>**

Supply Voltage ( $V_{DDA}, V_{DD}$ )	+4.6V
Input Voltage ( $V_{IN}$ )	-0.50V to $V_{DD} + 0.5V$
LVPECL Output Current ( $I_{OUT}$ )	
Continuous	50mA
Surge	100mA
Lead Temperature (soldering, 20sec.)	260°C
Case Temperature	115°C
Storage Temperature ( $T_s$ )	-65°C to +150°C

**Operating Ratings<sup>(2)</sup>**

Supply Voltage ( $V_{DD}, V_{DDA}$ )	+2.375V to +3.465V
Ambient Temperature ( $T_A$ )	-40°C to +85°C
Junction Thermal Resistance	
TSSOP ( $\theta_{JA}$ )(Still Air)	141°C/W

**DC Electrical Characteristics<sup>(3)</sup>**

$V_{DD} = V_{DDA} = 3.3V \pm 5\%$ ;  $T_A = -40^\circ\text{C}$  to  $+85^\circ\text{C}$ , unless noted.

Symbol	Parameter	Condition	Min.	Typ.	Max.	Units
$V_{DD}$	Core Supply Voltage		3.135	3.30	3.465	V
$V_{DDA}$	Analog Supply Voltage		3.135	3.30	3.465	V
$I_{DDA}$	Analog Supply Current	Included in $I_{EE}$		50	60	mA
$I_{EE}$	Total Supply Current	No load		95	115	mA

$V_{DD} = V_{DDA} = 2.5V \pm 5\%$ ;  $T_A = -40^\circ\text{C}$  to  $+85^\circ\text{C}$ , unless noted.

Symbol	Parameter	Condition	Min.	Typ.	Max.	Units
$V_{DD}$	Core Supply Voltage		2.375	2.50	2.625	V
$V_{DDA}$	Analog Supply Voltage		2.375	2.50	2.625	V
$I_{DDA}$	Analog Supply Current	Included in $I_{EE}$		50	60	mA
$I_{EE}$	Total Supply Current	No load		87	105	mA

**LVPECL DC Electrical Characteristics<sup>(3, 4)</sup>**

$V_{DD} = V_{DDA} = 2.5V \pm 5\%$  or  $3.3V \pm 5\%$ ,  $T_A = -40^\circ\text{C}$  to  $+85^\circ\text{C}$ , unless noted.

Symbol	Parameter	Condition	Min.	Typ.	Max.	Units
$V_{OH}$	Output High Voltage	50Ω to $V_{DD}-2V$	$V_{DD} - 1.145$	$V_{DD} - 0.97$	$V_{DD} - 0.845$	V
$V_{OL}$	Output Low Voltage	50Ω to $V_{DD}-2V$	$V_{DD} - 1.945$	$V_{DD} - 1.77$	$V_{DD} - 1.645$	V
$V_{SWING}$	Peak-to-Peak Output Voltage Swing		0.6	0.8	1.0	V

**Notes:**

1. Permanent device damage may occur if absolute maximum ratings are exceeded. This is a stress rating only and functional operation is not implied at conditions other than those detailed in the operational sections of this data sheet. Exposure to absolute maximum rating conditions for extended periods may affect device reliability.
2. The data sheet limits are not guaranteed if the device is operated beyond the operating ratings.
3. The circuit is designed to meet the DC specifications shown in the above table after thermal equilibrium has been established with a transverse airflow greater than 500 lfm.
4. See Figure 4 for load test circuit example.

## AC Electrical Characteristics<sup>(5)</sup>

$V_{DD} = V_{DDA} = 2.5V \pm 5\%$  or  $3.3V \pm 5\%$ ,  $T_A = -40^{\circ}C$  to  $+85^{\circ}C$ , unless noted.

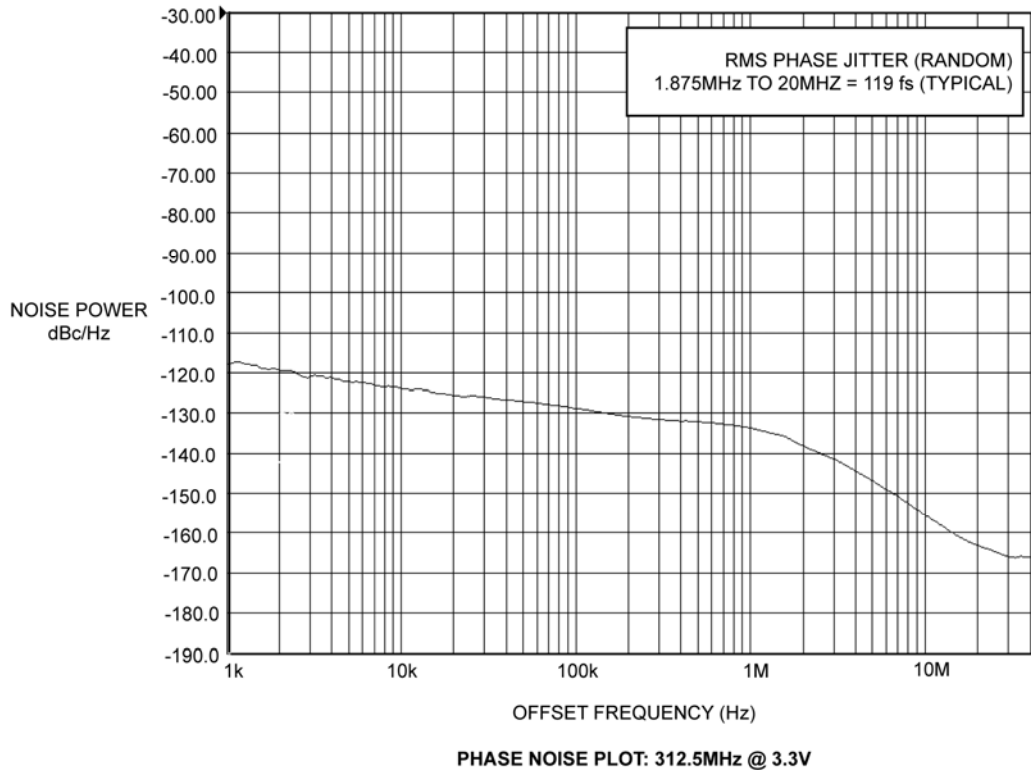
Symbol	Parameter	Condition	Min.	Typ.	Max.	Units
$F_{OUT}$	Output Frequency			312.5		MHz
$t_{JITTER}$	RMS Phase Jitter (Output = 312.5 MHz)	Integration Range: 1.875MHz to 20MHz		119		fs
$t_R, t_F$	Output Rise/Fall Time	20% to 80%	80	175	350	ps
$O_{DC}$	Output Duty Cycle		48	50	52	%

**Note:**

- The circuit is designed to meet the AC specifications shown in the above table(s) after thermal equilibrium has been established with a transverse airflow greater than 500 lpm.

## Crystal Characteristics

Parameter	Condition	Min.	Typ.	Max.	Units
Mode of Oscillation	12pF Load	Fundamental, Parallel Resonant			
Frequency			25		MHz
Equivalent Series Resistance (ESR)				50	$\Omega$
Shunt Capacitor, C0			3	7	pF
Correlation Drive Level			100	300	$\mu W$



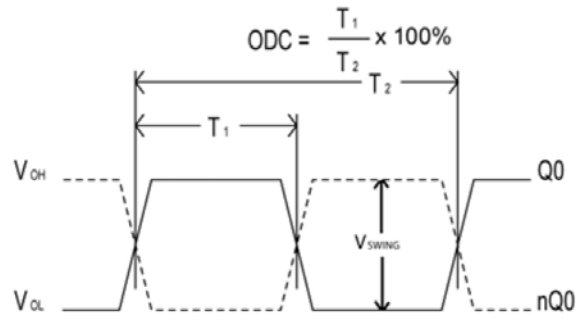


Figure 1. Duty Cycle Timing

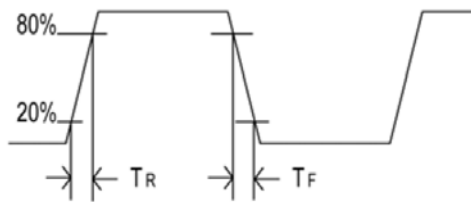


Figure 2. All Outputs Rise/Fall Time

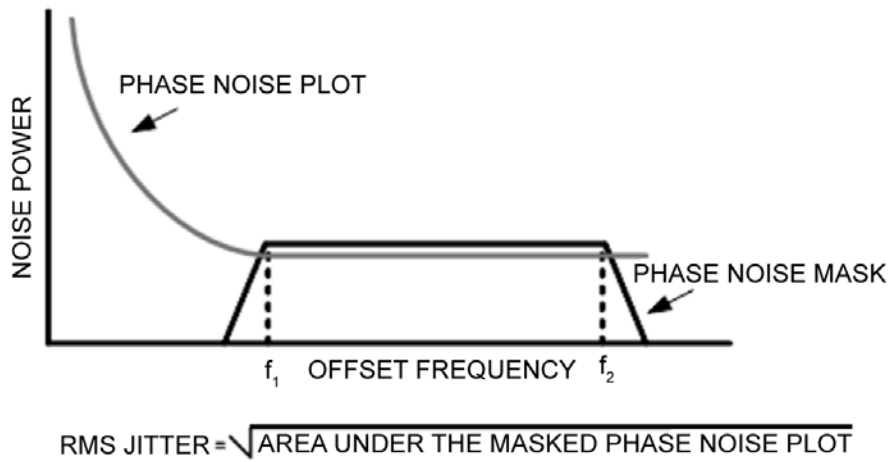


Figure 3. RMS Phase Noise/Jitter

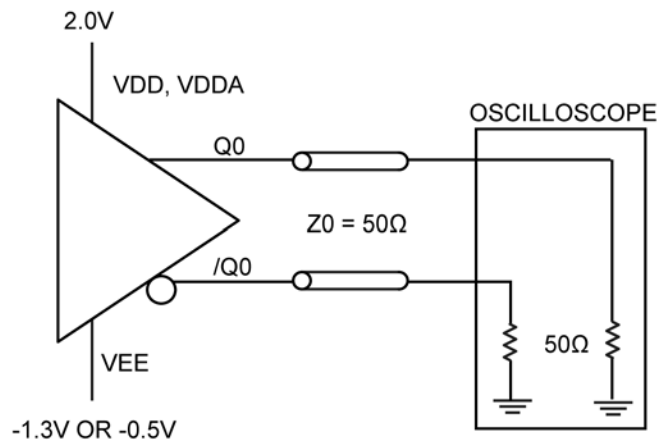


Figure 4. LVPECL Output Load and Test Circuit

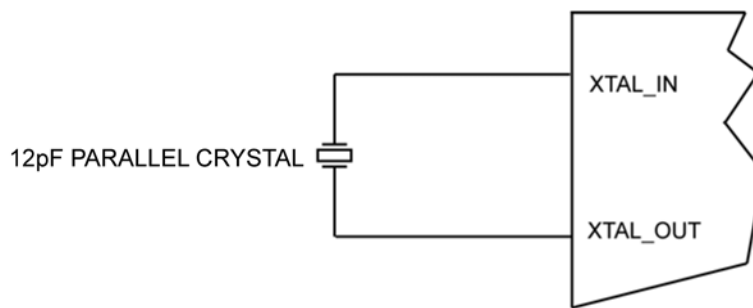
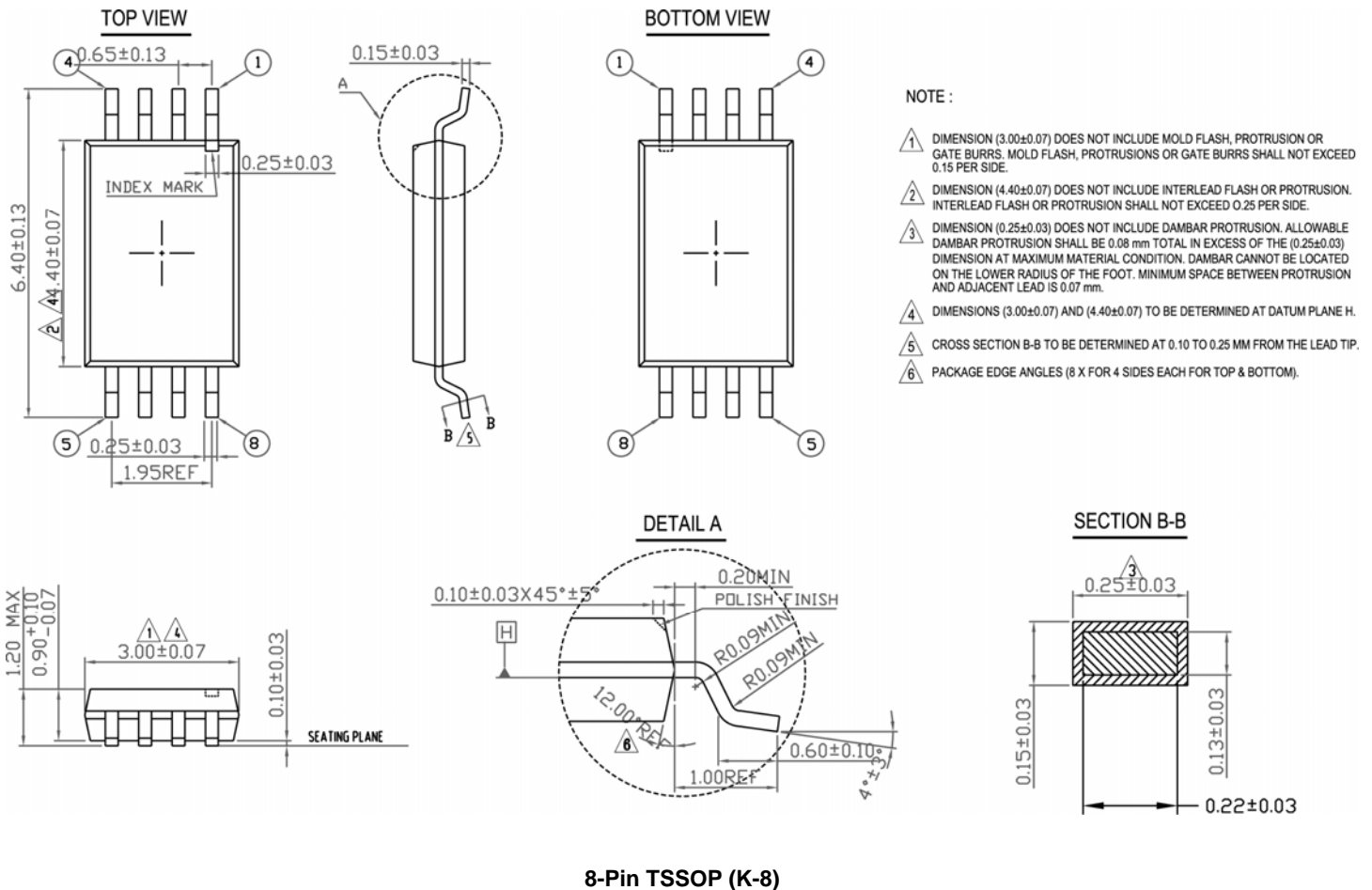


Figure 5. Crystal Input Interface

## Package Information



8-Pin TSSOP (K-8)

**MICREL, INC. 2180 FORTUNE DRIVE SAN JOSE, CA 95131 USA**  
 TEL +1 (408) 944-0800 FAX +1 (408) 474-1000 WEB <http://www.micrel.com>

Micrel makes no representations or warranties with respect to the accuracy or completeness of the information furnished in this data sheet. This information is not intended as a warranty and Micrel does not assume responsibility for its use. Micrel reserves the right to change circuitry, specifications and descriptions at any time without notice. No license, whether express, implied, arising by estoppel or otherwise, to any intellectual property rights is granted by this document. Except as provided in Micrel's terms and conditions of sale for such products, Micrel assumes no liability whatsoever, and Micrel disclaims any express or implied warranty relating to the sale and/or use of Micrel products including liability or warranties relating to fitness for a particular purpose, merchantability, or infringement of any patent, copyright or other intellectual property right.

Micrel Products are not designed or authorized for use as components in life support appliances, devices or systems where malfunction of a product can reasonably be expected to result in personal injury. Life support devices or systems are devices or systems that (a) are intended for surgical implant into the body or (b) support or sustain life, and whose failure to perform can be reasonably expected to result in a significant injury to the user. A Purchaser's use or sale of Micrel Products for use in life support appliances, devices or systems is a Purchaser's own risk and Purchaser agrees to fully indemnify Micrel for any damages resulting from such use or sale.

© 2010 Micrel, Incorporated.



Компания «ЭлектроПласт» предлагает заключение долгосрочных отношений при поставках импортных электронных компонентов на взаимовыгодных условиях!

Наши преимущества:

- Оперативные поставки широкого спектра электронных компонентов отечественного и импортного производства напрямую от производителей и с крупнейших мировых складов;
- Поставка более 17-ти миллионов наименований электронных компонентов;
- Поставка сложных, дефицитных, либо снятых с производства позиций;
- Оперативные сроки поставки под заказ (от 5 рабочих дней);
- Экспресс доставка в любую точку России;
- Техническая поддержка проекта, помощь в подборе аналогов, поставка прототипов;
- Система менеджмента качества сертифицирована по Международному стандарту ISO 9001;
- Лицензия ФСБ на осуществление работ с использованием сведений, составляющих государственную тайну;
- Поставка специализированных компонентов (Xilinx, Altera, Analog Devices, Intersil, Interpoint, Microsemi, Aeroflex, Peregrine, Syfer, Eurofarad, Texas Instrument, Miteq, Cobham, E2V, MA-COM, Hittite, Mini-Circuits, General Dynamics и др.);

Помимо этого, одним из направлений компании «ЭлектроПласт» является направление «Источники питания». Мы предлагаем Вам помощь Конструкторского отдела:

- Подбор оптимального решения, техническое обоснование при выборе компонента;
- Подбор аналогов;
- Консультации по применению компонента;
- Поставка образцов и прототипов;
- Техническая поддержка проекта;
- Защита от снятия компонента с производства.



#### Как с нами связаться

**Телефон:** 8 (812) 309 58 32 (многоканальный)

**Факс:** 8 (812) 320-02-42

**Электронная почта:** [org@eplast1.ru](mailto:org@eplast1.ru)

**Адрес:** 198099, г. Санкт-Петербург, ул. Калинина, дом 2, корпус 4, литера А.