



Compact Waterproof Automotive Connectors

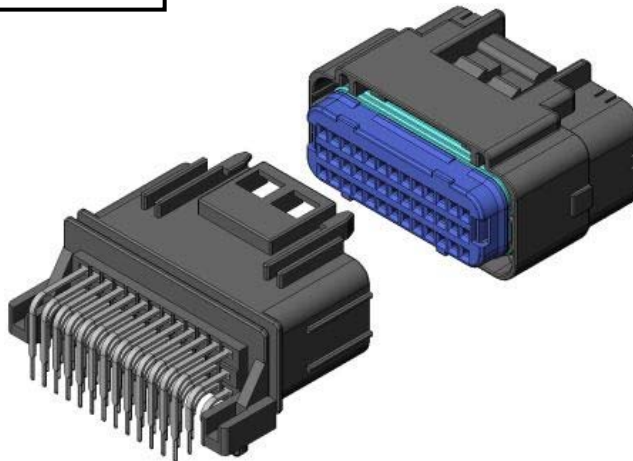
CONNECTOR

MB-0216-1

MX47 Series

September 2010

RoHS Compliant



JAE has developed the MX47 Series compact, high-density waterproof connector for automotive applications.

The MX47 Series utilizes a structure similar to the existing MX23A Series waterproof connector, but is more compact while maintaining a low height.

The applicable cable and performance is equivalent or higher than the MX23A, there is a guide key for secure mating, and pin terminals have Pb-free compliant complete plating. Superior vibration resistance makes the connector ideally suited for use in harsh environments such as the engine areas of both 2 and 4-wheeled vehicles.

Features

- 2.5mm horizontal pitch, 3.6mm vertical pitch, 3 row board to wire connector.
- 39 position, different keying available.
- Guide key for secure mating.
- Dowels on both side of connector for light press-fit to board for temporary holding.
- Socket terminal is a compact box type which is strong against external force.
- Retainer is a simple structure front cap type which is easy to attach.
- Pin terminal press-fit structure to prevent leakage of potting material.
- Slim type pin terminal with 0.5mm thickness and 1.0mm width.

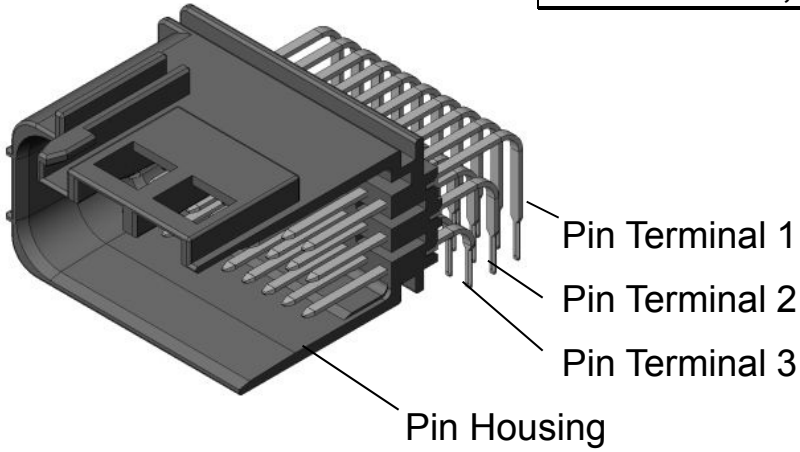
General Specifications

- | | |
|---|---|
| • No. of Contacts: 39 pos.
(Different keying available) | • Waterproof: 98 kPa min. (initial) |
| • Contact Resistance:
5m ohm max. (initial)
10m ohm max. (after test) | • Vibration Resistance:
20G (50 to 1000Hz) each pole / 9 hours |
| • Rated Current: 3A | • Applicable Cable: AVSS 0.3 to 1.25sq |
| • Connector Insertion Force: 100 N max. | • Operating Temperature:
-40 Deg. C to +125 Deg. C |

Structure, Materials and Finishes

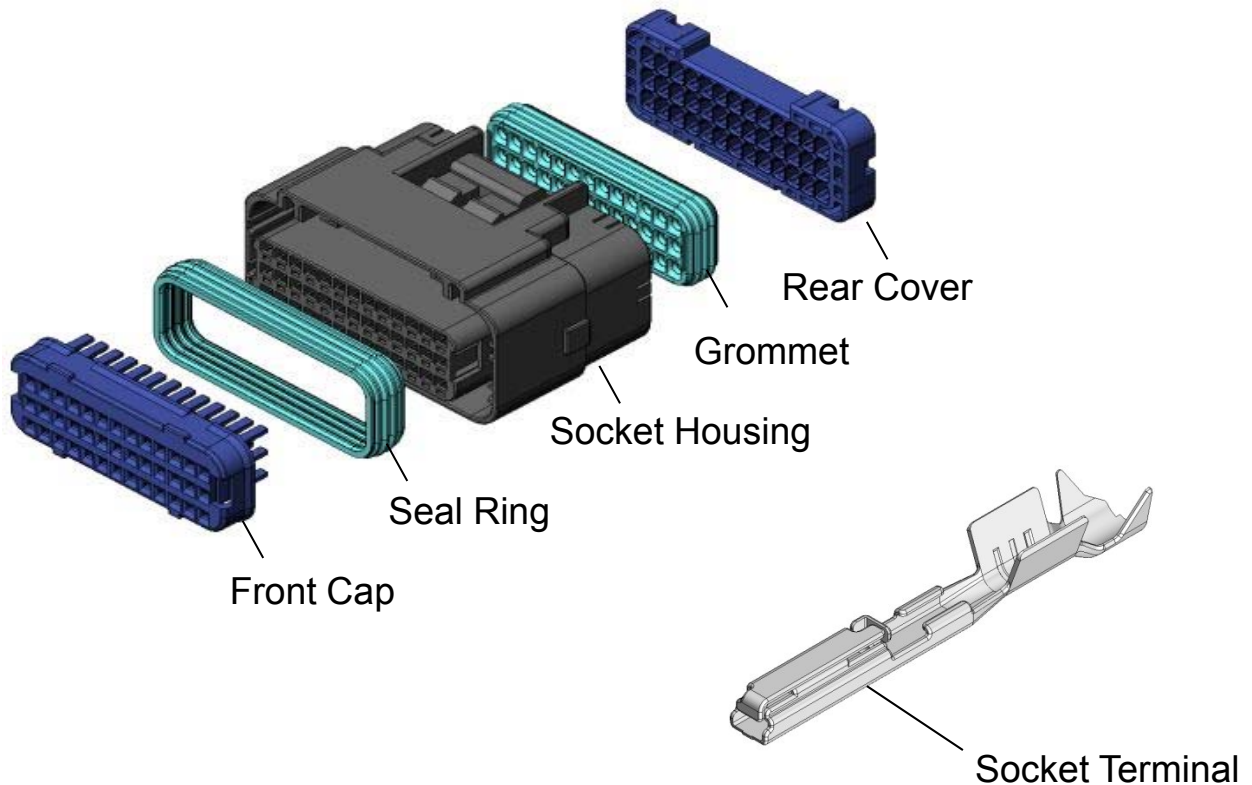
■ Pin Connector

Component	Material / Finish
Pin Housing	30% GF PBT
Pin Terminal 1, 2, 3	Brass / Tin plating



■ Socket Connector
Front Cap
Socket Terminal

Component	Material / Finish
Socket Housing	30% GF PBT
Seal Ring	Silicone Rubber
Grommet	Silicone Rubber
Rear Cover	30% GF PBT
Front Cap	30% GF PBT
Socket Terminal	Brass / Tin plating

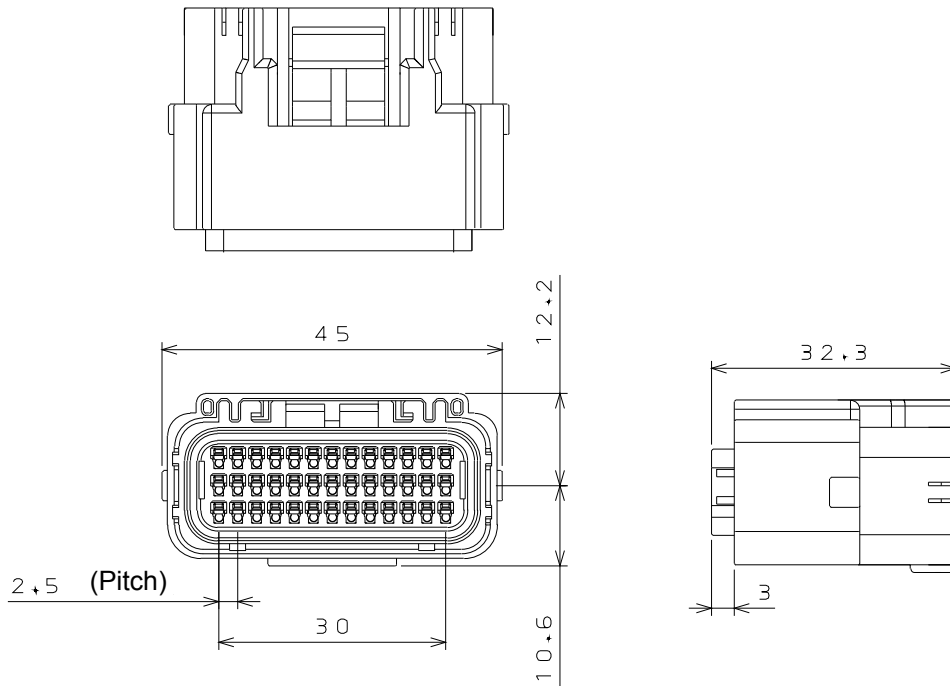


Product Drawing

■ Socket Housing (Available with different keying)

Part Number: MX47039SF1

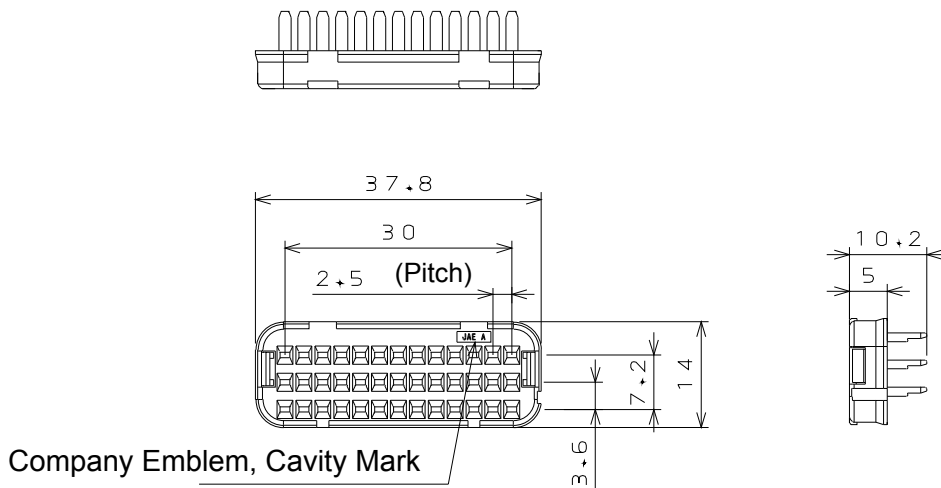
SJ Drawing: SJ109556



■ Front Cap (Same for different keying product)

Part Number: MX47039XF1

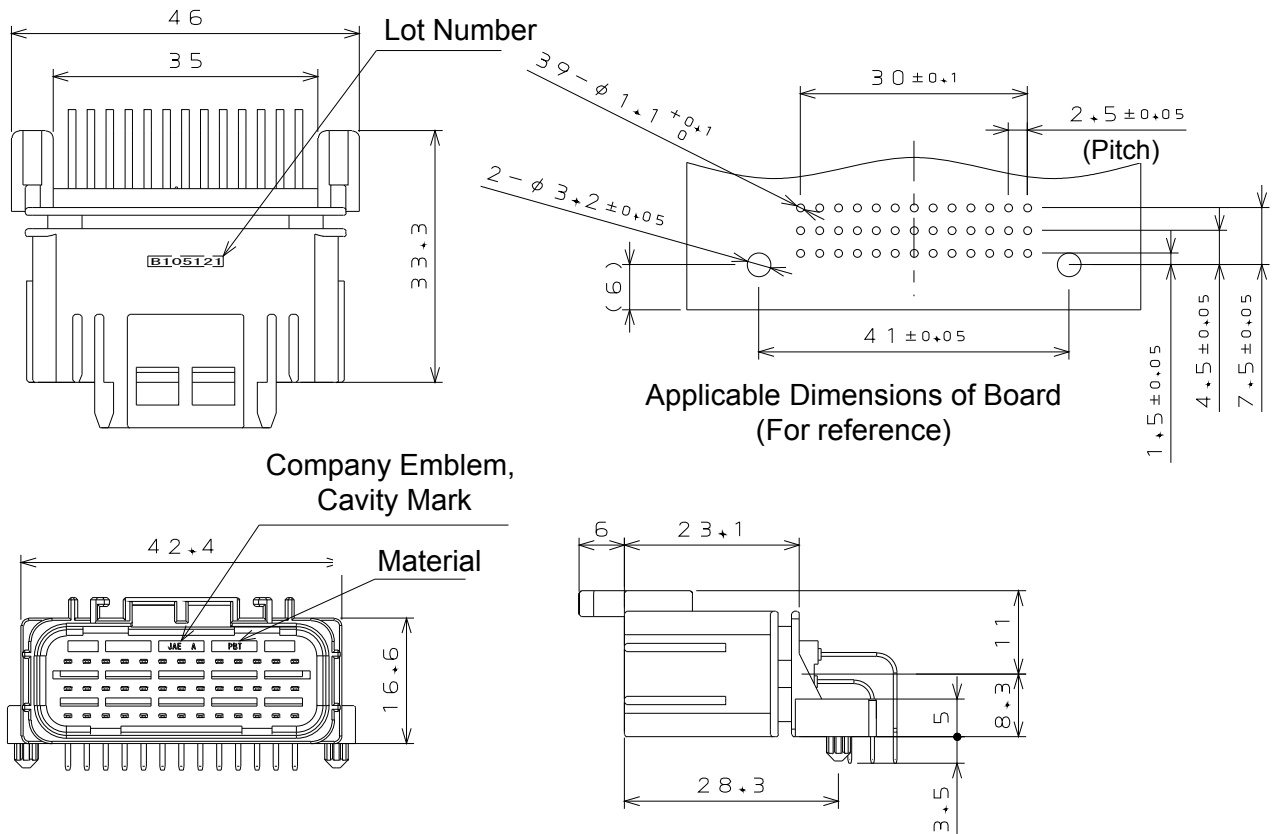
SJ Drawing: SJ109558



■ Pin Connector (Available with different keying)

Part Number: MX47039NF1

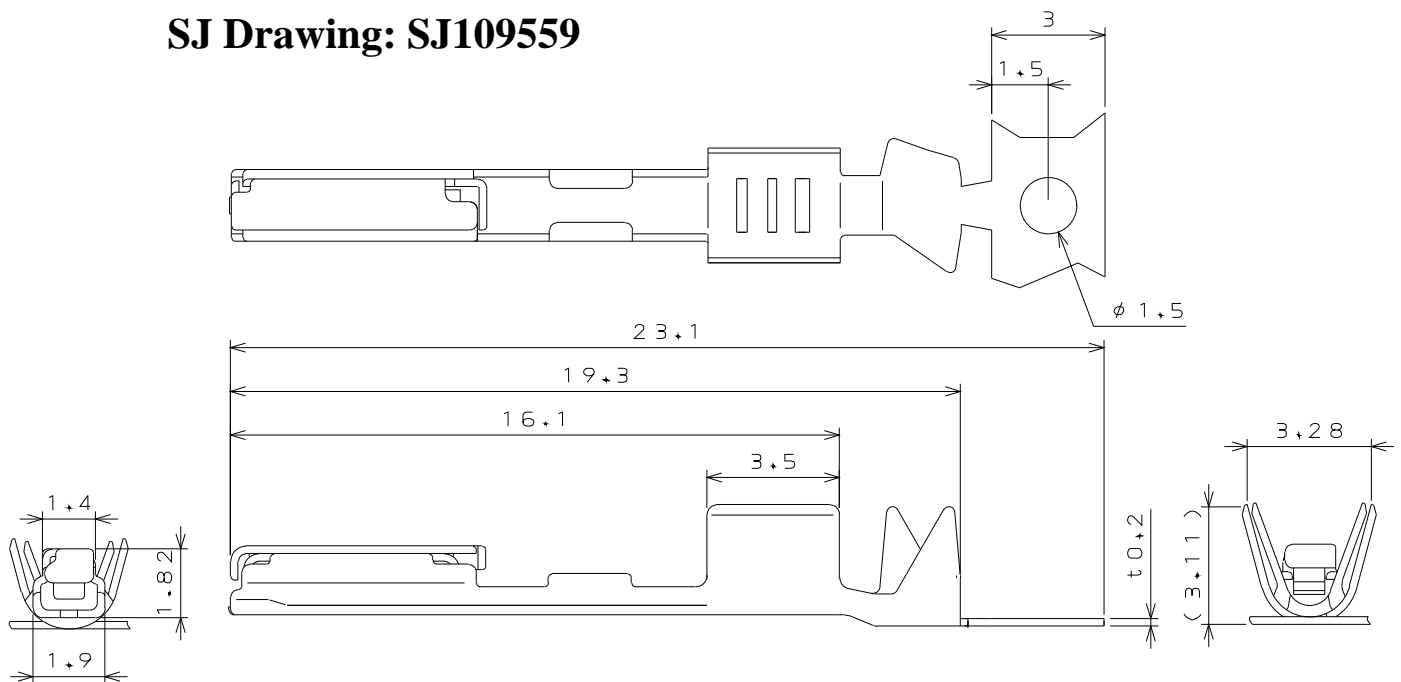
SJ Drawing: SJ109562



■ Socket Terminal (Two other sizes available according to wire size.)

Part Number: M47S65H2FA

SJ Drawing: SJ109559



Product Line-up

	Part Number	SJ Drawing	Remarks
Pin Connector	MX47039NF1	SJ109562	Standard Product
	MX47039NF2	SJ109563	Different Keying Product
Socket Connector	MX47039SF1	SJ109556	Standard Product
	MX47039SF2	SJ109557	Different Keying Product
Front Cap	MX47039XF1	SJ109558	Can be used for both standard and different keying products
Socket Terminal	M47S65H4FA	SJ109561	Refer to below for applicable wire and Tooling.
	M47S65H3FA	SJ109560	
	M47S65H2FA	SJ109559	
Dummy Plug	M120-55780	SJ036379	Same as MX23A Connector

Crimp Tools

Socket Terminal	Applicable Wire	Hand Crimp Tool	Semi-Automatic Applicator
M47S65H4FA	0.3~0.5mm ² , φ1.4~1.6 AVSS 0.3, 0.5 equivalent	CT160-3-MX47	3502-MX47-2
M47S65H3FA	0.75~0.85mm ² , φ1.8 AVSS0.85 equivalent	CT160-3B-MX47	
M47S65H2FA	1.25mm ² , φ2.1 AVSS1.25 equivalent	CT160-3C-MX47	

Terminal Removal Tool

ET-MX47

Specifications

JACS-10621

Handling Instructions

JAHL-10621

Japan Aviation Electronics Industry, Limited

Product Marketing Division
Aobadai Building, 3-1-19, Aobadai, Meguro-ku, Tokyo 153-8539
Phone: +81-3-3780-2787 FAX: +81-3-3780-2946

Notice: Products shown in this leaflet are made for the applications listed below. However, if the above-mentioned products are to be used in aerospace devices, marine cable-connection devices, atomic power control systems, medical equipment for life-support systems, or any other specific application requiring extremely high reliability, please contact JAE for further information.

Recommended applications: Computers, Office machines, Measuring devices, Telecommunication devices (Terminals, Mobile devices), AV devices, Household applications, FA devices, etc.

Mouser Electronics

Authorized Distributor

Click to View Pricing, Inventory, Delivery & Lifecycle Information:

JAE Electronics:

[CT160-3C-MX47](#) [ET-MX47](#) [MX47039SF1](#) [MX47039SF2](#) [MX47039XF1](#) [M47S65H2FA](#) [M47S65H3FA](#)
[M47S65H4FA](#) [MX47039NF1](#) [MX47039NF2](#) [CT160-3B-MX47](#) [CT160-3-MX47](#)



Компания «ЭлектроПласт» предлагает заключение долгосрочных отношений при поставках импортных электронных компонентов на взаимовыгодных условиях!

Наши преимущества:

- Оперативные поставки широкого спектра электронных компонентов отечественного и импортного производства напрямую от производителей и с крупнейших мировых складов;
- Поставка более 17-ти миллионов наименований электронных компонентов;
- Поставка сложных, дефицитных, либо снятых с производства позиций;
- Оперативные сроки поставки под заказ (от 5 рабочих дней);
- Экспресс доставка в любую точку России;
- Техническая поддержка проекта, помощь в подборе аналогов, поставка прототипов;
- Система менеджмента качества сертифицирована по Международному стандарту ISO 9001;
- Лицензия ФСБ на осуществление работ с использованием сведений, составляющих государственную тайну;
- Поставка специализированных компонентов (Xilinx, Altera, Analog Devices, Intersil, Interpoint, Microsemi, Aeroflex, Peregrine, Syfer, Eurofarad, Texas Instrument, Miteq, Cobham, E2V, MA-COM, Hittite, Mini-Circuits, General Dynamics и др.);

Помимо этого, одним из направлений компании «ЭлектроПласт» является направление «Источники питания». Мы предлагаем Вам помощь Конструкторского отдела:

- Подбор оптимального решения, техническое обоснование при выборе компонента;
- Подбор аналогов;
- Консультации по применению компонента;
- Поставка образцов и прототипов;
- Техническая поддержка проекта;
- Защита от снятия компонента с производства.



Как с нами связаться

Телефон: 8 (812) 309 58 32 (многоканальный)

Факс: 8 (812) 320-02-42

Электронная почта: org@eplast1.ru

Адрес: 198099, г. Санкт-Петербург, ул. Калинина, дом 2, корпус 4, литера А.