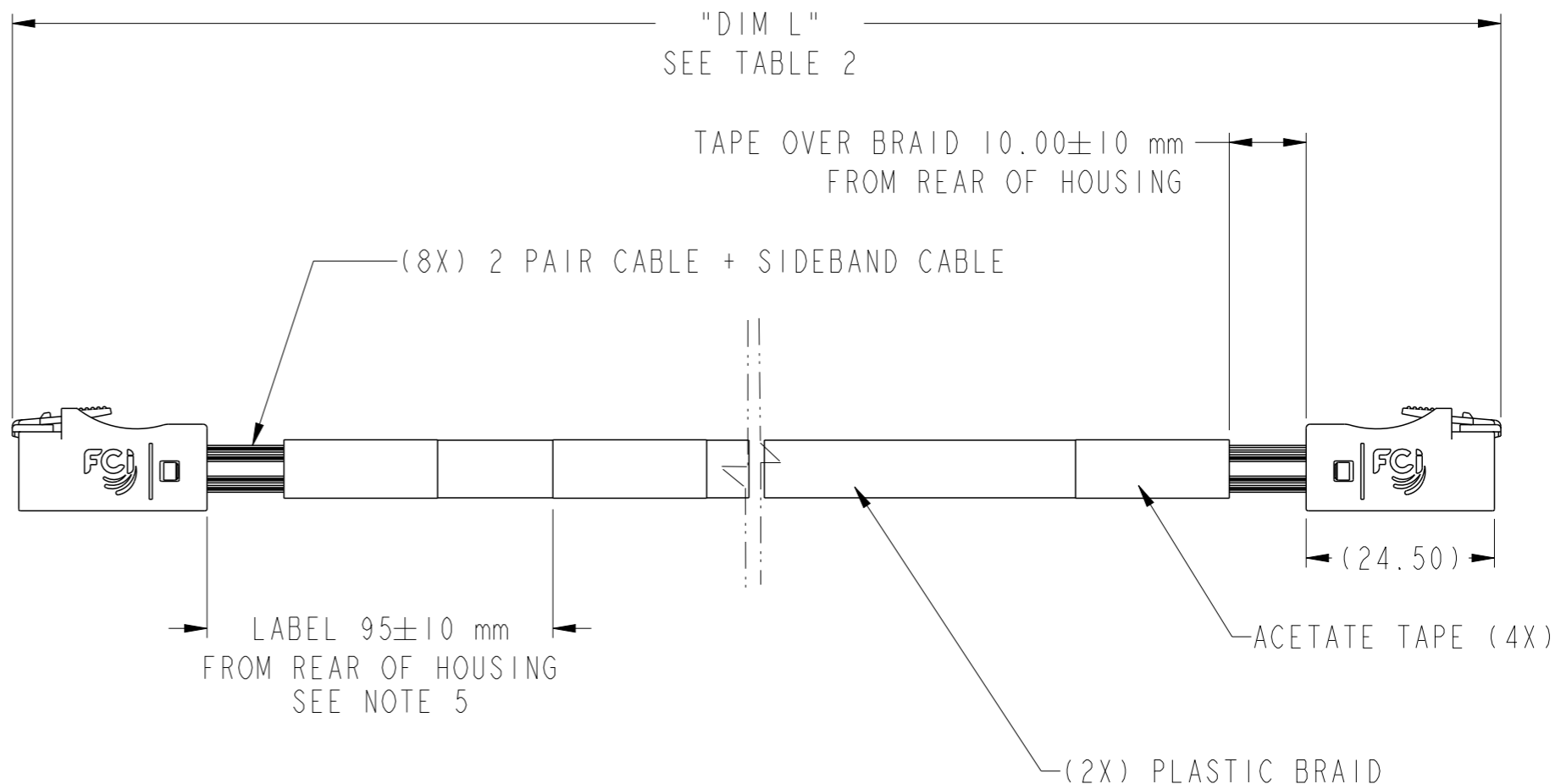
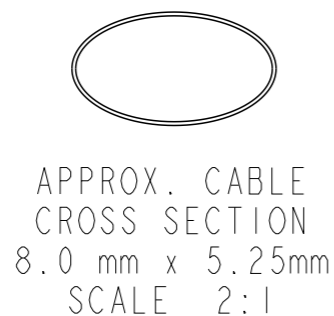
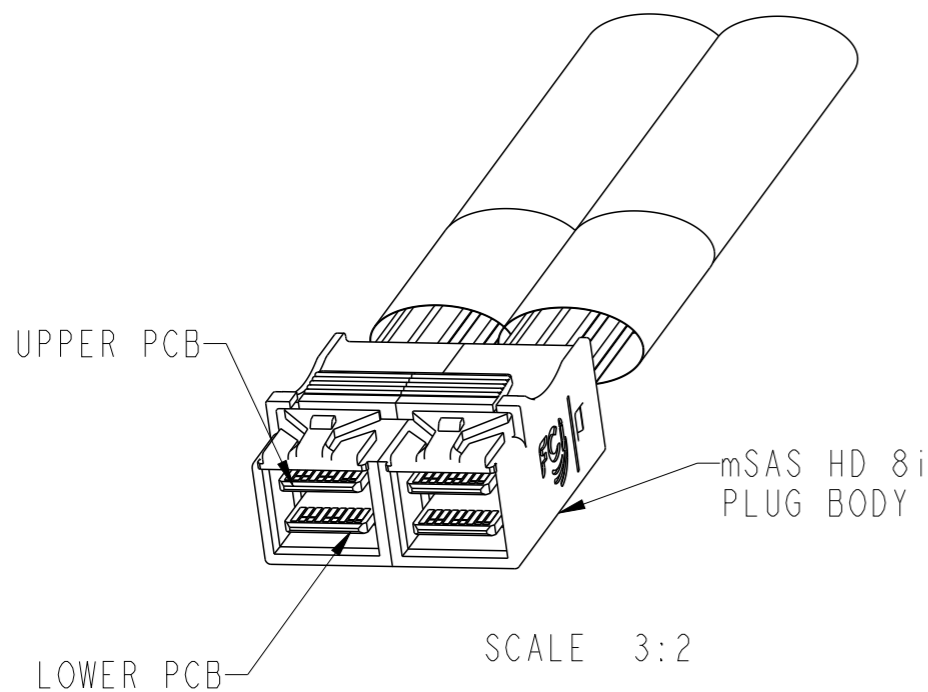


| FCI PART NUMBER | DESCRIPTION | NOTES |
|-----------------|--|-------------|
| 10120089-XXXXLF | CONTROLLER TO CONTROLLER CONFIGURATION | SEE TABLE 1 |



| | | | | | | | | | | |
|---------------------------------------|---------------------|------|---------------|-------------|---|----|----------|----------|------------------------|--------------|
| spec ref | - | dr | S Paulpandian | 2012/08/03 | projection | mm | size | A3 | scale | 1:1 |
| tolerance std | ISO 406 ISO 1101 | eng | Jason Gu | 2013/05/16 | | | ecn no | - | rel level | Released |
| TOLERANCES UNLESS OTHERWISE SPECIFIED | | chr | Kevin Bai | 2013/05/19 | | | | | | |
| surface | ISO 1302 | appr | Roger Cheng | 2013/05/19 | | | dwg no | 10120089 | rev | C |
| | linear | 0.X | ±0.3 | www.fci.com | title mSAS HD INTERNAL (8i) CABLE ASSEMBLY- 12 Gb/s | | cat. no. | - | Product - Customer Drw | sheet 1 of 4 |
| | angular | 0° | ±2° | | | | | | | |

| FCI PART NUMBER | DESCRIPTION | NOTES |
|-----------------|--|-------------|
| 10120089-XXXXLF | CONTROLLER TO CONTROLLER CONFIGURATION | SEE TABLE 1 |

| TABLE 1 - CABLE PART NUMBER LIST | | | |
|----------------------------------|-------------------------------|-----|---|
| PART NUMBER | "DIM L" CABLE LENGTH (METERS) | AWG | NOTES |
| 10120089-2030LF | 0.3 | 30 | CONTROLLER TO CONTROLLER WIRING CONFIGURATION (SHEET 2) ----- (SEE SHEET 3 FOR ALL NOTES) |
| 10120089-2040LF | 0.4 | 30 | |
| 10120089-2050LF | 0.5 | 30 | |
| 10120089-2060LF | 0.6 | 30 | |
| 10120089-2070LF | 0.7 | 30 | |
| 10120089-2080LF | 0.8 | 30 | |
| 10120089-2090LF | 0.9 | 30 | |
| 10120089-2100LF | 1.0 | 30 | |

NOTE:

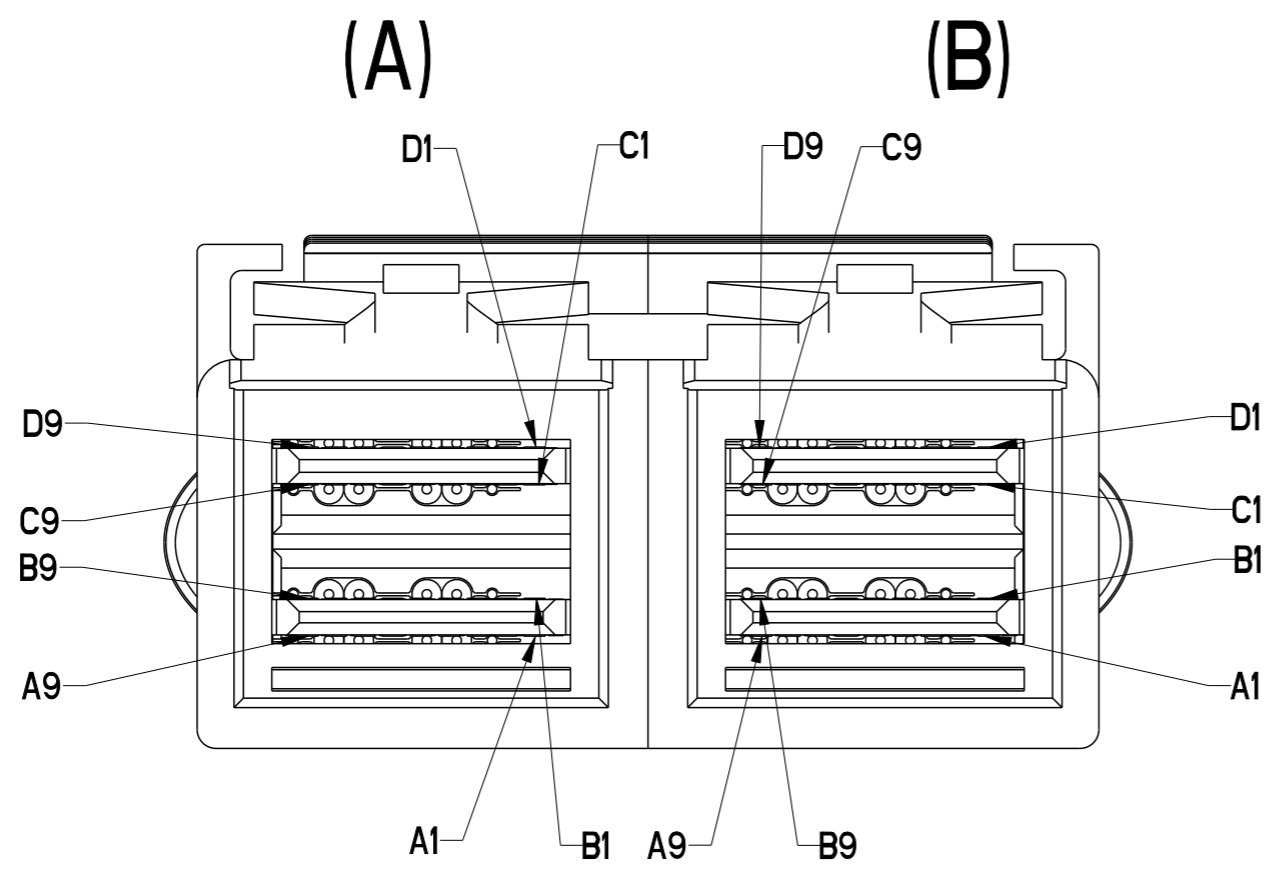
- ALL CABLE PERFORMANCE COMPLIANT SAS3.0 $\triangle C$
- CABLE MORE THAN 1M COULD NOT MEET SAS3.0 INSERTION LOSS -11dB MAX. $\triangle C$

| | | | | | | | | | | | |
|---------------------------------------|---------------------|------|---------------|------------|--|----------|----------------|------------------------|--------------|----------|---|
| spec ref | - | dr | S Paulpandian | 2012/08/03 | projection | mm | size | A3 | scale | 1:1 | |
| tolerance std | ISO 406 ISO 1101 | eng | Jason Gu | 2013/05/16 | | ← → | ecn no | ELX-N-14782-1 | | | |
| TOLERANCES UNLESS OTHERWISE SPECIFIED | | chr | Kevin Bai | 2013/05/19 | | | product family | - | rel level | Released | |
| surface | ✓ | appr | Roger Cheng | 2013/05/19 | mSAS HD INTERNAL (8i) CABLE ASSEMBLY- 12 Gb/s | | dwg no | 10120089 | | rev | C |
| ISO 1302 | linear | 0.X | ±0.3 | | www.fci.com | cat. no. | - | Product - Customer Drw | sheet 2 of 4 | | |
| | | 0.XX | ±0.10 | | | | | | | | |
| | angular | 0° | ±2° | | | | | | | | |



| | | |
|-----------------|--|-------------|
| FCI PART NUMBER | DESCRIPTION | NOTES |
| 10120089-XXXXLF | CONTROLLER TO CONTROLLER CONFIGURATION | SEE TABLE 1 |

P1-(A) TO P2-(A)
P1-(B) TO P2-(B)



SCALE 5:1

| LEGEND | |
|--------|--------------------------------------|
| | HIGH-SPEED SERIAL DIFFERENTIAL PAIRS |
| | SIGNAL RETURN |
| | SIDEBAND SIGNAL |

| WIRING LIST (CONTROLLER TO CONTROLLER) | | | | |
|--|------------|-------|---------------------|------------|
| END P1 (CONTROLLER) | | | END P2 (CONTROLLER) | |
| POSITION | SYMBOL | | POSITION | SYMBOL |
| D9 | GROUND | ----- | B9 | GROUND |
| D8 | Tx2- | | B8 | Rx2- |
| D7 | Tx2+ | | B7 | Rx2+ |
| D6 | GROUND | ----- | B6 | GROUND |
| D5 | Tx0- | | B5 | Rx0- |
| D4 | Tx0+ | | B4 | Rx0+ |
| D3 | GROUND | ----- | B3 | GROUND |
| D2 | SIDEBAND 6 | | B2 | SIDEBAND 1 |
| D1 | SIDEBAND 5 | | C2 | SIDEBAND 2 |
| C1 | SIDEBAND 4 | | B1 | SIDEBAND 3 |
| C2 | SIDEBAND 2 | | D1 | SIDEBAND 5 |
| C3 | GROUND | ----- | A3 | GROUND |
| C4 | Tx1+ | | A4 | Rx1+ |
| C5 | Tx1- | | A5 | Rx1- |
| C6 | GROUND | ----- | A6 | GROUND |
| C7 | Tx3+ | | A7 | Rx3+ |
| C8 | Tx3- | | A8 | Rx3- |
| C9 | GROUND | ----- | A9 | GROUND |
| B9 | GROUND | ----- | D9 | GROUND |
| B8 | Rx2- | | D8 | Tx2- |
| B7 | Rx2+ | | D7 | Tx2+ |
| B6 | GROUND | ----- | D6 | GROUND |
| B5 | Rx0- | | D5 | Tx0- |
| B4 | Rx0+ | | D4 | Tx0+ |
| B3 | GROUND | ----- | D3 | GROUND |
| B2 | SIDEBAND 1 | | D2 | SIDEBAND 6 |
| B1 | SIDEBAND 3 | | C1 | SIDEBAND 4 |
| A1 | SIDEBAND 7 | | A2 | SIDEBAND 0 |
| A2 | SIDEBAND 0 | | A1 | SIDEBAND 7 |
| A3 | GROUND | ----- | C3 | GROUND |
| A4 | Rx1+ | | C4 | Tx1+ |
| A5 | Rx1- | | C5 | Tx1- |
| A6 | GROUND | ----- | C6 | GROUND |
| A7 | Rx3+ | | C7 | Tx3+ |
| A8 | Rx3- | | C8 | Tx3- |
| A9 | GROUND | ----- | C9 | GROUND |

| | | | | | | | | | | | |
|---------------------------------------|---------------------|-------|---------------|-------------|--|----|------------------------|----------|---------------|-----------|----------|
| spec ref | - | dr | S Paulpandian | 2012/08/03 | projection | mm | size | A3 | scale | 2:1 | |
| tolerance std | ISO 406 ISO 1101 | eng | Jason Gu | 2013/05/16 | | | ecn no | A3 | ELX-N-14782-1 | rel level | Released |
| TOLERANCES UNLESS OTHERWISE SPECIFIED | | chr | Kevin Bai | 2013/05/19 | | | | | | | |
| surface | ISO 1302 | appr | Roger Cheng | 2013/05/19 | mSAS HD INTERNAL (8i) CABLE ASSEMBLY- 12 Gb/s | | dwg no | 10120089 | rev | C | |
| | linear | 0.X | ±0.3 | www.fci.com | cat. no. | - | Product - Customer Drw | | sheet 3 of 4 | | |
| | | 0.XX | ±0.10 | | | | | | | | |
| | | 0.XXX | ±0.005 | | | | | | | | |
| | angular | 0° | ±2° | | | | | | | | |

Copyright FCI.

NOTES:

1. MATERIAL:
HOUSINGS: MODIFIED POLYPHENYLENE ETHER
PADDLE CARD: PRINTED CIRCUIT SUBSTRATE
HEAT SHRINK TUBE: POLYOLEFIN
EPOXY LOCTITE
2. THIS PRODUCT MEETS THE RESTRICTION OF HAZARDOUS SUBSTANCES IN ELECTRICAL AND ELECTRONIC EQUIPMENT (RoHS) DIRECTIVE (2002/95/EC)
3. THIS DIMENSION IS A FINISHED PRODUCT LENGTH.
4. UNLESS OTHERWISE SPECIFIED ASSEMBLED LENGTH TOLERANCE IS TO BE:
"DIM L" < 1 METER = ±15mm
"DIM L" 1 METER TO 10 METERS = ± 2% OF "DIM L"
5. UNLESS OTHERWISE SPECIFIED LABEL POSITION IS TO BE 95mm FROM REAR OF PI CONNECTOR.
LABEL DETAILS:
MANUFACTURER CODE OR NAME COUNTRY OF ORIGIN
CUSTOMER P/N OR FCI P/N
REVISION
DATE CODE (YYYY/MM/DD FORMAT) - SERIAL NUMBER

FONT SHALL BE CLEARLY VISIBLE AND BLACK IN COLOR.
6. ALL CABLE ASSEMBLIES SHALL BE 100% TESTED FOR CONTINUITY AS DEFINED IN WIRING LIST.
7. ALL CABLE ASSEMBLIES SHALL BE 100% HI-POT TESTED BY APPLYING 300V DC FOR A MINIMUM OF 10ms.
8. IMPEDANCE: 100Ω DIFFERENTIAL.
9. OTHER TESTING PERFORMED AS REQUIRED BY PRODUCT SPECIFICATION: GS-12-650.
10. PACKAGE AND LABEL CABLE ASSEMBLIES PER GS-14-1272.
11. A "△" SYMBOL WILL BE NEXT TO ANY DIMENSION, VIEW, OR NOTE WHICH HAS BEEN MODIFIED WITH THE CURRENT DRAWING REVISION. THE CURRENT REVISION WILL BE SHOWN IN THE SYMBOL.
12. "HLF" PRODUCT NUMBERS DESIGNATE THE USE OF HALOGEN FREE RAW CABLE.
13. HALOGEN FREE RAW CABLE CAN BE USED AS A SUBSTITUTE ON NON-HF PRODUCT NUMBERS.
14. PART NUMBER/SUPPLIER SUBSTITUTION IS NOT ALLOWED.
15. THIS PRODUCT CONFORMS TO THE MECHANICAL DIMENSIONING AND ELECTRICAL REQUIREMENTS OF THE SFF-8643 SPECIFICATION.



| | | | | | | | | | | | | |
|---------------------|--------|-------|---------------|-------------|----------------|-------|-------------------------|------------------------|---------------|--------------|-----|---|
| spec ref - | | dr | S Paulpandian | 2012/08/03 | projection | mm | size | A3 | scale | 2:1 | | |
| tolerance std | | eng | Jason Gu | 2013/05/16 | | ← → | ecn no | | ELX-N-14782-1 | | | |
| ISO 406 ISO 1101 | | chr | Kevin Bai | 2013/05/19 | | | rel level | | Released | | | |
| surface - ✓ | | appr | Roger Cheng | 2013/05/19 | product family | | - | | - | | | |
| ISO 1302 | linear | 0.X | ±0.3 | | | title | mSAS HD INTERNAL (8i) | | dwg no | 10120089 | rev | C |
| | | 0.XX | ±0.10 | | | | CABLE ASSEMBLY- 12 Gb/s | | | | | |
| | | 0.XXX | ±0.005 | | | | - | | | | | |
| angular | 0° | ±2° | | www.fci.com | cat. no. | - | | Product - Customer Drw | | sheet 4 of 4 | | |



Copyright FCI.



Компания «ЭлектроПласт» предлагает заключение долгосрочных отношений при поставках импортных электронных компонентов на взаимовыгодных условиях!

Наши преимущества:

- Оперативные поставки широкого спектра электронных компонентов отечественного и импортного производства напрямую от производителей и с крупнейших мировых складов;
- Поставка более 17-ти миллионов наименований электронных компонентов;
- Поставка сложных, дефицитных, либо снятых с производства позиций;
- Оперативные сроки поставки под заказ (от 5 рабочих дней);
- Экспресс доставка в любую точку России;
- Техническая поддержка проекта, помощь в подборе аналогов, поставка прототипов;
- Система менеджмента качества сертифицирована по Международному стандарту ISO 9001;
- Лицензия ФСБ на осуществление работ с использованием сведений, составляющих государственную тайну;
- Поставка специализированных компонентов (Xilinx, Altera, Analog Devices, Intersil, Interpoint, Microsemi, Aeroflex, Peregrine, Syfer, Eurofarad, Texas Instrument, Miteq, Cobham, E2V, MA-COM, Hittite, Mini-Circuits, General Dynamics и др.);

Помимо этого, одним из направлений компании «ЭлектроПласт» является направление «Источники питания». Мы предлагаем Вам помощь Конструкторского отдела:

- Подбор оптимального решения, техническое обоснование при выборе компонента;
- Подбор аналогов;
- Консультации по применению компонента;
- Поставка образцов и прототипов;
- Техническая поддержка проекта;
- Защита от снятия компонента с производства.



Как с нами связаться

Телефон: 8 (812) 309 58 32 (многоканальный)

Факс: 8 (812) 320-02-42

Электронная почта: org@eplast1.ru

Адрес: 198099, г. Санкт-Петербург, ул. Калинина, дом 2, корпус 4, литера А.