

**0.6V ENHANCED ADJUSTABLE PRECISION SHUNT REGULATOR**

NEW PRODUCT

**Description**

The ZXRE160 is a 5-terminal adjustable shunt regulator offering excellent temperature stability and output handling capability. This device offers an enhancement to the ZXRE060 part for use in a comparator mode applications.

In shunt regulator mode, the ZXRE160 simplifies the design of isolated low voltage DC-DC regulators. With its low 0.6V FB pin, it can control the regulation of rails as low 0.6V. This makes the part ideal for state of the art microprocessor, DSP and PLD core voltage POL converters.

The device open-collector output can operate from 0.2V to 18V and regulated output voltage can be set by selection of two external divider resistors. Separating the input from the open collector output enables the ZXRE160 to be used to make low-cost low drop-out regulators operating at low input voltages.

The ZXRE160 is available in two grades with initial tolerances of 0.5% and 1% for the A and standard grades respectively. It is available in space saving low profile 5 pin SC70/SOT353, thin TSOT25 and very small DFN1520 packages.

**Features**

- Low reference voltage ( $V_{FB} = 0.6V$ )
- $-40^{\circ}C$  to  $+125^{\circ}C$  temperature range
- Reference voltage tolerance at  $+25^{\circ}C$
- 0.5% ZXRE160A
- 1% ZXRE160
- Typical temperature drift
- $<4$  mV ( $0^{\circ}C$  to  $+70^{\circ}C$ )
- $<6$  mV ( $-40^{\circ}C$  to  $+85^{\circ}C$ )
- $<12mV$  ( $-40^{\circ}C$  to  $+125^{\circ}C$ )
- 0.2V to 18V open-collector output
- High power supply rejection
- ( $>45dB$  at 300kHz)
- **Totally Lead-Free & Fully RoHS Compliant (Notes 1 & 2)**
- **Halogen and Antimony Free. "Green" Device (Note 3)**

Notes: 1. No purposely added lead. Fully EU Directive 2002/95/EC (RoHS) & 2011/65/EU (RoHS 2) compliant.  
 2. See <http://www.diodes.com> for more information about Diodes Incorporated's definitions of Halogen- and Antimony-free, "Green" and Lead-free.  
 3. Halogen- and Antimony-free "Green" products are defined as those which contain  $<900ppm$  bromine,  $<900ppm$  chlorine ( $<1500ppm$  total Br + Cl) and  $<1000ppm$  antimony compounds.

**Pin Assignments**

ZXRE160\_H5 (SC70/SOT353) and  
ZXRE160\_ET5 (TSOT25)



ZXRE160\_FT4 (X2-DFN1520-6)

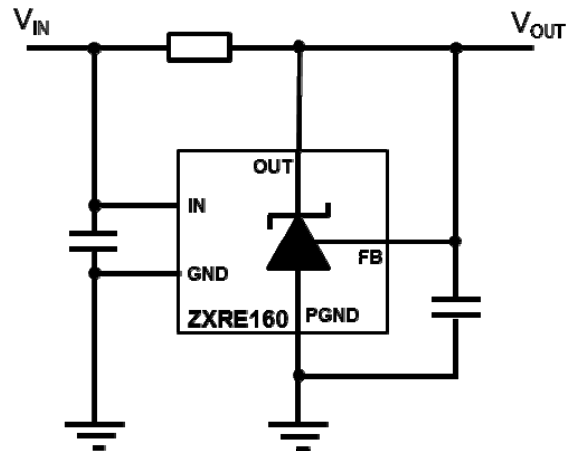


Exposed flag floating or  
connect to GND

**Applications**

- Isolated DC-DC converters
- Core voltage POL
- Low Voltage Low-Dropout linear regulators
- Shunt regulators
- Adjustable voltage reference

### Typical Applications Circuit



### Pin Descriptions

Pin Name	Package Name Pin Number		Function
	SC70/ SOT353, TSOT25	X2-DFN1520-6	
PGND	1	1	Power Ground: Ground return for emitter of output transistor: Connect PGND and GND together.
—	—	2	No connection
OUT	5	3	Output: Connect a capacitor close to device between OUT and GND for closed loop stability. See the <i>Applications Information</i> section.
FB	4	4	Feedback Input. Threshold voltage 600mV nominal.
GND	2	5	Analog Ground: Ground return for reference and amplifier: Connect GND and PGND together.
IN	3	6	Supply Input: Connect a 0.1µF ceramic capacitor close to the device from IN to GND.
—	—	Flag	Floating or connect to GND

## Functional Block Diagram



The ZXRE160 differs from most other shunt regulators in that it has separate input and output pins and a low voltage reference. This enables it to regulate rails down to 600mV and makes the part ideal for isolated power supply applications that use opto-couplers in the feedback loop and where the open-collector output is required to operate down to voltages as low as 200mV.

The wide input voltage range of 2V to 18V and output voltage range of 0.2V to 18V enables the ZXRE160 to be powered from an auxiliary rail, while controlling a master rail which is above the

auxiliary rail voltage, or below the minimum  $V_{IN}$  voltage. This allows it to operate as a low-dropout voltage regulator for microprocessor/DSP/PLD cores.

As with other shunt regulators (and shunt references), the ZXRE160 compares its internal amplifier FB pin to a high accuracy internal reference; if FB is below the reference then OUT turns off, but if FB is above the reference then OUT sinks current – up to a maximum of 15mA.

### Absolute Maximum Ratings (Voltages to GND, @T<sub>A</sub> = +25°C, unless otherwise specified.)

Symbol	Parameter	Rating	Unit
V <sub>IN</sub>	IN Voltage relative to GND	20	V
V <sub>OUT</sub>	OUT Voltage relative to GND	20	V
V <sub>FB</sub>	FB Voltage relative to GND	20	V
P <sub>GND</sub>	PGND Voltage relative to GND	-0.3 to +0.3	V
I <sub>OUT</sub>	OUT Pin Current	20	mA
T <sub>J</sub>	Operating Junction Temperature	-40 to 150	°C
T <sub>ST</sub>	Storage Temperature	55 to 150	°C

These are stress ratings only. Operation outside the absolute maximum ratings may cause device failure. Operation at the absolute maximum rating for extended periods may reduce device reliability.

Semiconductor devices are ESD sensitive and may be damaged by exposure to ESD events. Suitable ESD precautions should be taken when handling and transporting these devices.

### Package Thermal Data

Package	θ <sub>JA</sub>	P <sub>DIS</sub> T <sub>A</sub> = 25°C, T <sub>J</sub> = 150°C
SC70/SOT353	400°C/W	310mW
TSOT25	250°C/W	500mW
X2-DFN1520-6	TBD	TBD

### Recommended Operating Conditions (@T<sub>A</sub> = +25°C, unless otherwise specified.)

Symbol	Parameter	Min	Max	Units
V <sub>IN</sub>	IN Voltage Range (0 to +125°C)	2	18	V
V <sub>IN</sub>	IN Voltage Range (-40°C to 0°C)	2.2	18	
V <sub>OUT</sub>	OUT Voltage Range	0.2	18	
I <sub>OUT</sub>	OUT Pin Current	0.3	15	mA
T <sub>A</sub>	Operating Ambient Temperature Range	-40	+125	°C

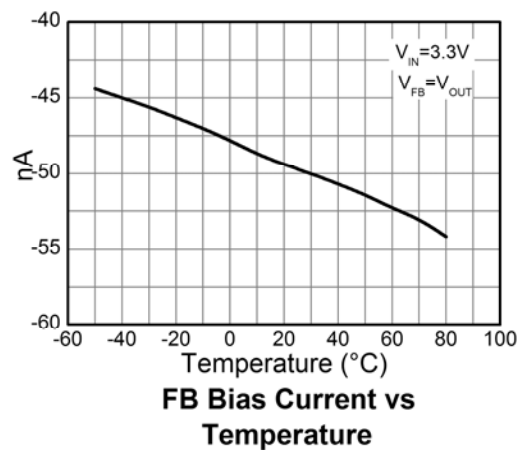
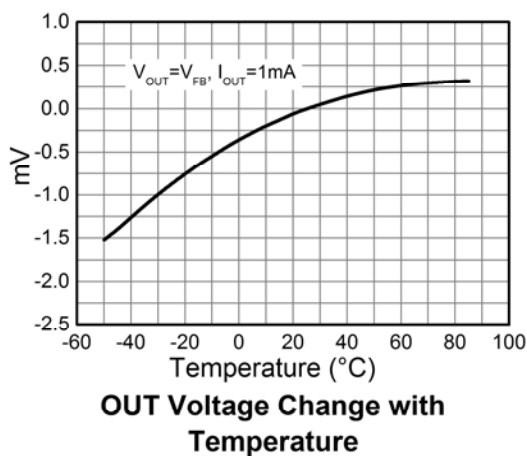
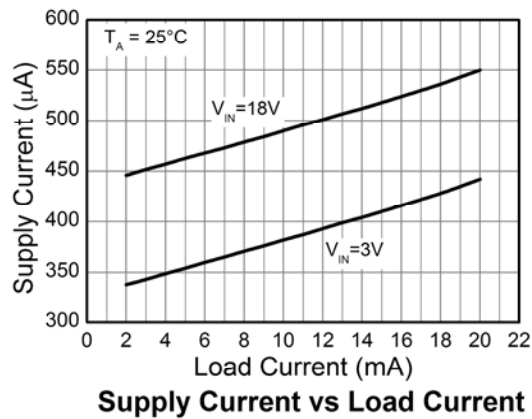
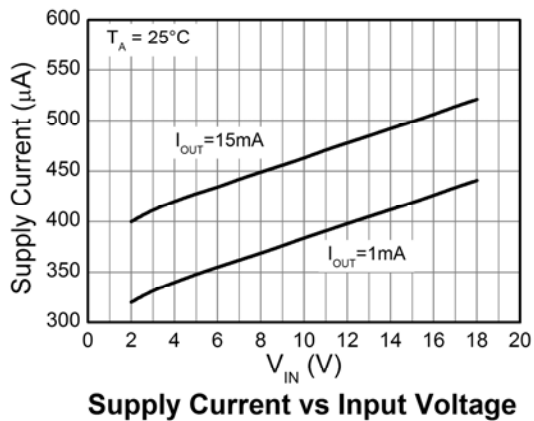
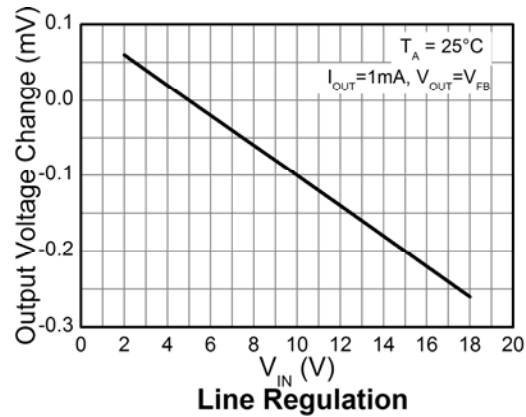
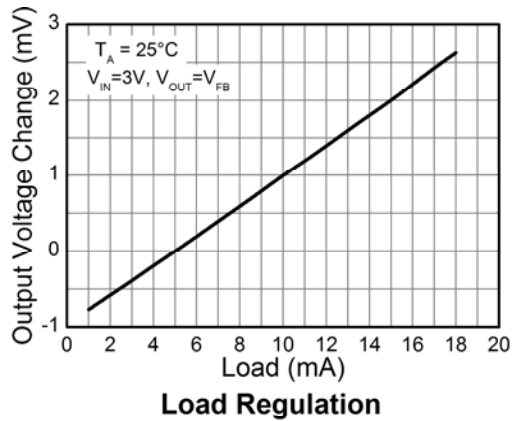
**Electrical Characteristics** (@ $T_A = +25^\circ\text{C}$ ,  $V_{DD} = 3\text{V}$ , unless otherwise specified.)

$T_A = +25^\circ\text{C}$ ,  $V_{IN} = 3.3\text{V}$ ,  $V_{OUT} = V_{FB}$ ,  $I_{OUT} = 5\text{mA}$ , unless otherwise specified.) (Note 4)

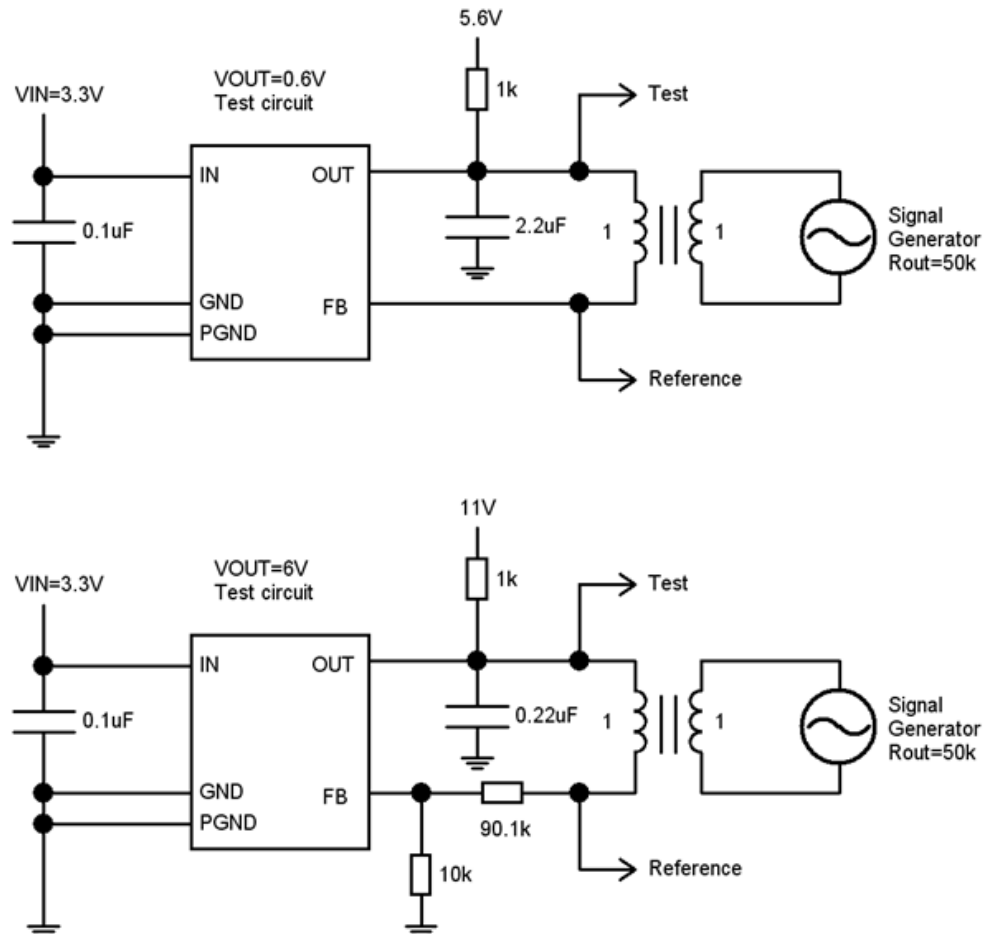
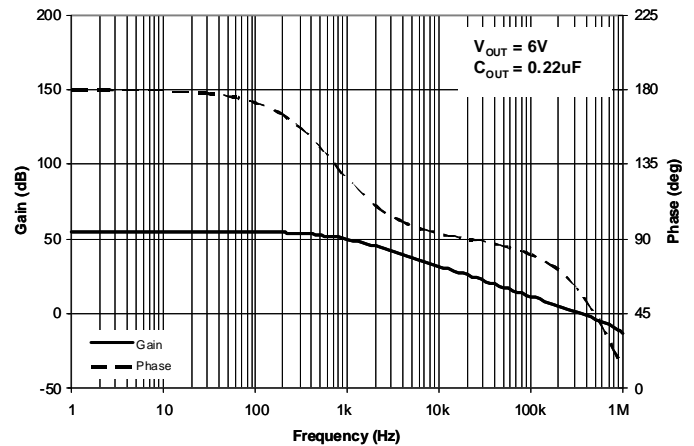
Symbol	Parameter	Conditions	Min	Typ	Max	Units	
$V_{FB}$	Feedback voltage		ZXRE160A	0.597	0.6	0.603	V
			ZXRE160	0.594	0.6	0.606	
		$T_A = 0^\circ\text{C to } +85^\circ\text{C}$	ZXRE160A	0.595		0.605	
			ZXRE160	0.592		0.608	
		$T_A = -40^\circ\text{C to } +85^\circ\text{C}$	ZXRE160A	0.594		0.606	
			ZXRE160	0.591		0.609	
		$T_A = -40^\circ\text{C to } +125^\circ\text{C}$	ZXRE160A	0.593		0.607	
			ZXRE160	0.590		0.610	
$FB_{LOAD}$	Feedback pin load regulation	$I_{OUT} = 1 \text{ to } 15\text{mA}$		3.8	6	mV	
			$T_A = -40 \text{ to } +125^\circ\text{C}$				10
$FB_{LINE}$	Feedback pin line regulation	$V_{IN} = 2\text{V to } 18\text{V}$		0.3	1	mV	
		$V_{IN} = 2.2\text{V to } 18\text{V}$	$T_A = -40 \text{ to } +125^\circ\text{C}$				1.5
$FB_{OVR}$	Output voltage regulation	$V_{OUT} = 0.2\text{V to } 18\text{V}$ , $I_{OUT} = 1\text{mA}$ (Ref. Figure 1)			1	mV	
			$T_A = -40 \text{ to } +125^\circ\text{C}$				1.5
$I_{FB}$	FB input bias current	$V_{IN} = 18\text{V}$			-45	nA	
			$T_A = -40 \text{ to } +125^\circ\text{C}$	-200			0
			$V_{FB} = 0.7\text{V}$	-50			50
$I_{IN}$	Input current	$V_{IN} = 2\text{V to } 18\text{V}$	$I_{OUT} = 0.3\text{mA}$		0.35	0.7	mA
				$T_A = -40 \text{ to } +125^\circ\text{C}$			
		$V_{IN} = 2\text{V to } 18\text{V}$	$I_{OUT} = 10\text{mA}$		0.48	1	mA
				$T_A = -40 \text{ to } +125^\circ\text{C}$			
		$V_{IN} = 18\text{V}, I_{OUT} = 0.3\text{mA}$	$V_{FB} = 0.7\text{V}$			3	
$I_{OUT(LK)}$	OUT leakage current	$V_{IN} = 18\text{V}$ , $V_{OUT} = 18\text{V}$ , $V_{FB} = 0\text{V}$			0.1	$\mu\text{A}$	
			$T_A = +125^\circ\text{C}$				1
$Z_{OUT}$	Dynamic Output Impedance	$I_{OUT} = 1 \text{ to } 15\text{mA}$ $f < 1\text{kHz}$		0.25	0.4	$\Omega$	
			$T_A = -40 \text{ to } +125^\circ\text{C}$				0.6
PSRR	Power supply rejection ratio	$F = 300\text{kHz}$ $V_{AC} = 0.3\text{V}_{PP}$		>45		dB	
BW	Amplifier Unity Gain Frequency	Ref: Figure 2		600		kHz	
G	Amplifier Transconductance			5000		$\text{mA/V}$	

Note: 4. Production testing of the device is performed at  $+25^\circ\text{C}$ . Functional operation of the device and parameters specified over the operating temperature range are guaranteed by design, characterization and process control.

**Typical Characteristics**



**Typical Operating Characteristics**



**Figure 2. Test Circuits for Gain and Phase Plots**

## Application Information

The following show some typical application examples for the ZXRE160.



**Figure 3. 15V Supply Monitor**

In shunt regulator mode it is necessary to include the compensation capacitor C2 to guarantee stability. C2 may range in value from 0.1µF to 10µF depending on the application. The minimum value of C2 can be determined from the following equation (resistor values are in kΩ):

$$C2_{MIN} \geq \frac{R_2}{R_3(R_1 + R_2)} \mu F$$

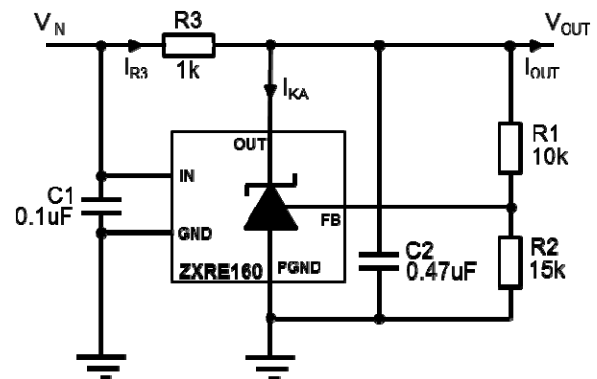
Both C1 and C2 should be as close to the ZXRE160 as possible and connected to it with the shortest possible track. In the case of Figure 10 and Figure 11, it means the opto-coupler will have to be carefully positioned to enable this.



$$V_{OUT} = V_{REF}$$

$$R_3 = \frac{V_{IN} - V_{OUT}}{I_{R3}}$$

**Figure 4. 0.6V Shunt Regulator**



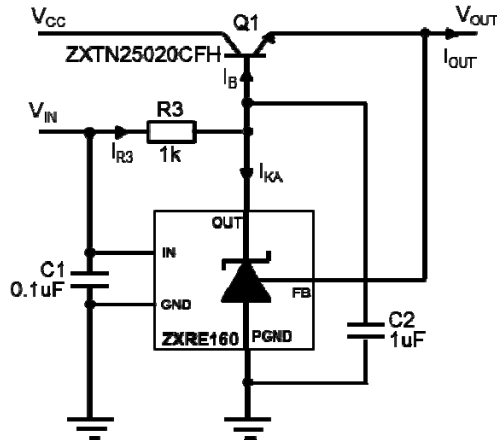
$$V_{OUT} = V_{REF} \left( 1 + \frac{R_1}{R_2} \right)$$

$$R_3 = \frac{V_{IN} - V_{OUT}}{I_{R3}}$$

**Figure 5. 1.0V Shunt Regulator**

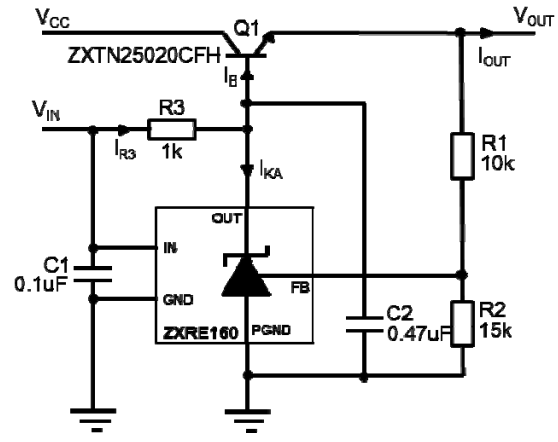


**Application Information** (cont.)



$$V_{OUT} = V_{REF}$$

**Figure 6. 0.6V Series LDO Regulator**



$$V_{OUT} = V_{REF} \left( 1 + \frac{R1}{R2} \right)$$

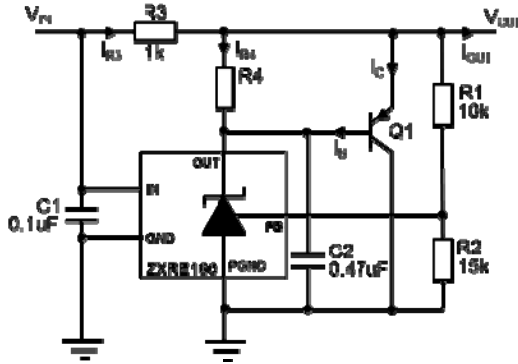
**Figure 7. 1.0V Series LDO Regulator**

**Design guide:**

1. Determine  $I_{OUT}$  and choose a suitable transistor taking power dissipation into consideration.
2. Determine  $I_B$  from  $I_B = \frac{I_{OUT(max)}}{(h_{FE(min)} + 1)}$
3. Determine  $I_{R3}$  from  $I_{R3} \geq I_B + I_{KA(min)}$ . The design of the ZXRE160 effectively means there is no  $I_{KA(min)}$  limitation as in conventional references. There is only an output leakage current which is a maximum of  $1\mu A$ . Nevertheless, it is necessary to determine an  $I_{KA(min)}$  to ensure that the device operates within its linear range at all times.  $I_{KA(min)} \geq 10\mu A$  should be adequate for this.
4. Determine  $R3$  from  $R3 = \frac{V_{IN} - (V_{OUT} + V_{BE})}{I_{R3}}$ .

Although unlikely to be a problem, ensure that  $I_{R3} \leq 15$  mA.

**Application Information** (cont.)



$$V_{OUT} = V_{REF} \left( 1 + \frac{R1}{R2} \right)$$

$$V_{OUT} \geq 0.2V + V_{BE}$$

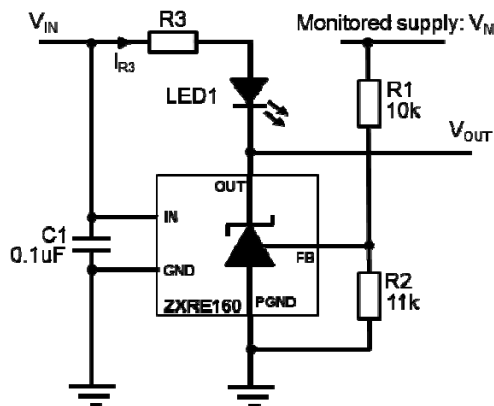
$$R3 = \frac{V_{IN} - V_{OUT}}{I_{R3}}$$

Figure 8. 1V Current-Boosted Shunt Regulator

**Design guide**

1. Determine  $I_{OUT}$  and choose a suitable transistor taking power dissipation into consideration.
2. Determine  $I_B$  from  $I_B = \frac{I_{OUT(max)}}{(h_{FE(min)} + 1)}$
3. Determine  $I_{R3}$  from  $I_{R3} = I_{OUT(max)}$
4. Determine  $R3$  from  $R3 = \frac{V_{IN} - V_{OUT}}{I_{R3}}$
5. It is best to let the ZXRE160 supply as much current as it can before bringing Q1 into conduction. Not only does this minimize the strain on Q1, it also guarantees the most stable operation. Choose a nominal value between 10mA and <15mA for this current,  $I_{R4}$ .

Calculate  $R4$  from  $R4 = \frac{V_{BE}}{I_{R4}}$



$V_{OUT}$  goes low and LED is lit when monitored supply

$$V_M > V_{REF} \left( 1 + \frac{R1}{R2} \right)$$

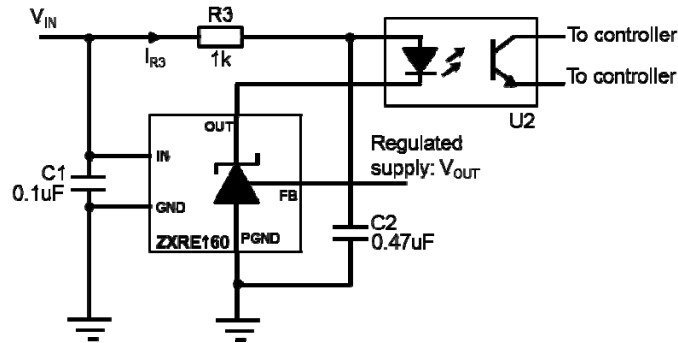
$$R3 = \frac{V_{IN} - (V_F + 0.2)}{I_{R3}}$$

$$15mA \geq I_{R3} \leq I_F(MAX)$$

$V_F$  and  $I_F$  are forward voltage drop and current of LED1.

Figure 9. 1.15V Over-Voltage Indicator

**Application Information** (cont.)



$$V_{OUT} = V_{REF}$$

$$R3 = \frac{V_{IN} - (V_F + 0.2)}{I_{R3}}$$

$$15\text{mA} \geq I_{R3} \leq I_{F(\text{MAX})}$$

**Figure 10. Opto-Isolated 0.6V Shunt Regulator**



$$V_{OUT} = V_{REF} \left( 1 + \frac{R1}{R2} \right)$$

$$R3 = \frac{V_{IN} - (V_F + 0.2)}{I_{R3}}$$

$$15\text{mA} \geq I_{R3} \leq I_{F(\text{MAX})}$$

**Figure 11. Opto-Isolated 1.0V Shunt Regulator**

$V_F$  and  $I_F$  are forward voltage drop and forward current respectively for the optocoupler LED

More applications information is available in the following publications which can be found on Diodes' web site.

- AN58 - Designing with Diodes' References – *Shunt Regulation*
- AN59 - Designing with Diodes' References – *Series Regulation*
- AN60 - Designing with Diodes' References – *Fixed Regulators and Opto-Isolation*
- AN61 - Designing with Diodes' References – *Extending the operating voltage range*
- AN62 - Designing with Diodes' References – *Other Applications*
- AN63 - Designing with Diodes' References – *ZXRE060 Low Voltage Regulator*



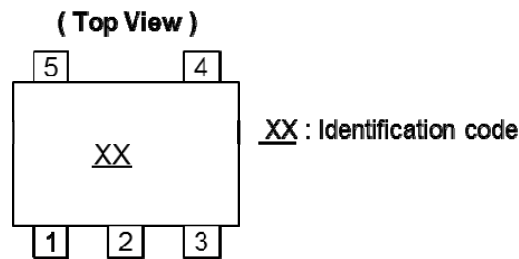
**Ordering Information**



Tol.	Part Number	Package	Identification Code	Reel Size	Tape Width	Quantity/Reel
0.5%	ZXRE160AET5TA	TSOT25	R8	7", 180mm	8mm	3000
	ZXRE160AH5TA	SC70/SOT353	R9	7", 180mm	8mm	3000
	ZXRE160AFT4-7	DFN1520H4-6	R8	7", 180mm	8mm	3000
1%	ZXRE160ET5TA	TSOT25	Z8	7", 180mm	8mm	3000
	ZXRE160H5TA	SC70/SOT353	Z9	7", 180mm	8mm	3000
	ZXRE160FT4-7	X2-DFN1520-6	Z8	7", 180mm	8mm	3000

**Marking Information**

1. TSOT25, SC70/SOT353

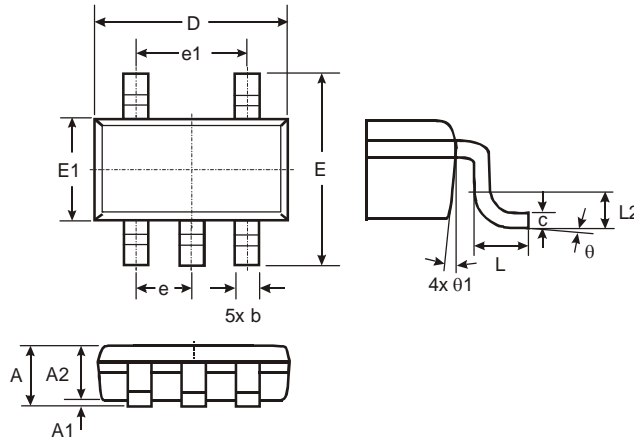


2. X2-DFN1520-6



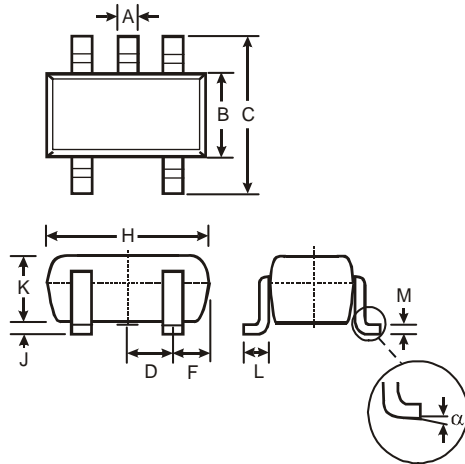
**Package Outline Dimensions** (All dimensions in mm.)

**TSOT25**



TSOT25			
Dim	Min	Max	Typ
A	-	1.00	-
A1	0.01	0.10	-
A2	0.84	0.90	-
D	-	-	2.90
E	-	-	2.80
E1	-	-	1.60
b	0.30	0.45	-
c	0.12	0.20	-
e	-	-	0.95
e1	-	-	1.90
L	0.30	0.50	-
L2	-	-	0.25
theta	0°	8°	4°
theta1	4°	12°	-
All Dimensions in mm			

**SC70/SOT353**



SOT353		
Dim	Min	Max
A	0.10	0.30
B	1.15	1.35
C	2.00	2.20
D	0.65 Typ	
F	0.40	0.45
H	1.80	2.20
J	0	0.10
K	0.90	1.00
L	0.25	0.40
M	0.10	0.22
alpha	0°	8°
All Dimensions in mm		

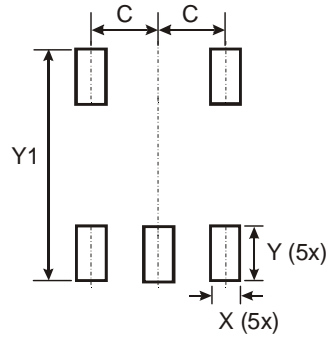
**X2-DFN1520-6**



X2-DFN1520-6			
Dim	Min	Max	Typ
A	-	0.40	-
A1	0	0.05	-
A3	-	-	0.13
b	0.20	0.30	-
D	1.45	1.575	-
D2	1.00	1.20	-
e	-	-	0.50
E	1.95	2.075	-
E2	0.70	0.90	-
L	0.25	0.35	-
All Dimensions in mm			

**Suggested Pad Layout**

**TSOT25**



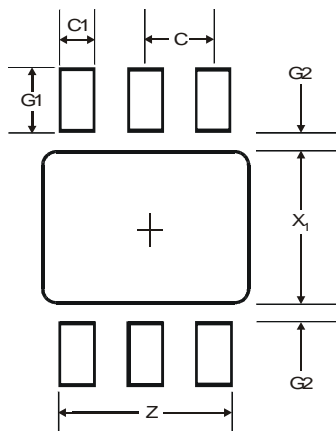
Dimensions	Value (in mm)
C	0.950
X	0.700
Y	1.000
Y1	3.199

**SC70/SOT353**



Dimensions	Value (in mm)
Z	2.5
G	1.3
X	0.42
Y	0.6
C1	1.9
C2	0.65

**X2-DFN1520-6**



Dimensions	Value (in mm)
Z	1.25
G1	0.45
G2	0.15
X1	1.10
C	0.50
C1	0.25

**IMPORTANT NOTICE**

DIODES INCORPORATED MAKES NO WARRANTY OF ANY KIND, EXPRESS OR IMPLIED, WITH REGARDS TO THIS DOCUMENT, INCLUDING, BUT NOT LIMITED TO, THE IMPLIED WARRANTIES OF MERCHANTABILITY AND FITNESS FOR A PARTICULAR PURPOSE (AND THEIR EQUIVALENTS UNDER THE LAWS OF ANY JURISDICTION).

Diodes Incorporated and its subsidiaries reserve the right to make modifications, enhancements, improvements, corrections or other changes without further notice to this document and any product described herein. Diodes Incorporated does not assume any liability arising out of the application or use of this document or any product described herein; neither does Diodes Incorporated convey any license under its patent or trademark rights, nor the rights of others. Any Customer or user of this document or products described herein in such applications shall assume all risks of such use and will agree to hold Diodes Incorporated and all the companies whose products are represented on Diodes Incorporated website, harmless against all damages.

Diodes Incorporated does not warrant or accept any liability whatsoever in respect of any products purchased through unauthorized sales channel. Should Customers purchase or use Diodes Incorporated products for any unintended or unauthorized application, Customers shall indemnify and hold Diodes Incorporated and its representatives harmless against all claims, damages, expenses, and attorney fees arising out of, directly or indirectly, any claim of personal injury or death associated with such unintended or unauthorized application.

Products described herein may be covered by one or more United States, international or foreign patents pending. Product names and markings noted herein may also be covered by one or more United States, international or foreign trademarks.

**LIFE SUPPORT**

Diodes Incorporated products are specifically not authorized for use as critical components in life support devices or systems without the express written approval of the Chief Executive Officer of Diodes Incorporated. As used herein:

A. Life support devices or systems are devices or systems which:

1. are intended to implant into the body, or
2. support or sustain life and whose failure to perform when properly used in accordance with instructions for use provided in the labeling can be reasonably expected to result in significant injury to the user.

B. A critical component is any component in a life support device or system whose failure to perform can be reasonably expected to cause the failure of the life support device or to affect its safety or effectiveness.

Customers represent that they have all necessary expertise in the safety and regulatory ramifications of their life support devices or systems, and acknowledge and agree that they are solely responsible for all legal, regulatory and safety-related requirements concerning their products and any use of Diodes Incorporated products in such safety-critical, life support devices or systems, notwithstanding any devices- or systems-related information or support that may be provided by Diodes Incorporated. Further, Customers must fully indemnify Diodes Incorporated and its representatives against any damages arising out of the use of Diodes Incorporated products in such safety-critical, life support devices or systems.

Copyright © 2012, Diodes Incorporated

[www.diodes.com](http://www.diodes.com)



Компания «ЭлектроПласт» предлагает заключение долгосрочных отношений при поставках импортных электронных компонентов на взаимовыгодных условиях!

Наши преимущества:

- Оперативные поставки широкого спектра электронных компонентов отечественного и импортного производства напрямую от производителей и с крупнейших мировых складов;
- Поставка более 17-ти миллионов наименований электронных компонентов;
- Поставка сложных, дефицитных, либо снятых с производства позиций;
- Оперативные сроки поставки под заказ (от 5 рабочих дней);
- Экспресс доставка в любую точку России;
- Техническая поддержка проекта, помощь в подборе аналогов, поставка прототипов;
- Система менеджмента качества сертифицирована по Международному стандарту ISO 9001;
- Лицензия ФСБ на осуществление работ с использованием сведений, составляющих государственную тайну;
- Поставка специализированных компонентов (Xilinx, Altera, Analog Devices, Intersil, Interpoint, Microsemi, Aeroflex, Peregrine, Syfer, Eurofarad, Texas Instrument, Miteq, Cobham, E2V, MA-COM, Hittite, Mini-Circuits, General Dynamics и др.);

Помимо этого, одним из направлений компании «ЭлектроПласт» является направление «Источники питания». Мы предлагаем Вам помощь Конструкторского отдела:

- Подбор оптимального решения, техническое обоснование при выборе компонента;
- Подбор аналогов;
- Консультации по применению компонента;
- Поставка образцов и прототипов;
- Техническая поддержка проекта;
- Защита от снятия компонента с производства.



#### Как с нами связаться

**Телефон:** 8 (812) 309 58 32 (многоканальный)

**Факс:** 8 (812) 320-02-42

**Электронная почта:** [org@eplast1.ru](mailto:org@eplast1.ru)

**Адрес:** 198099, г. Санкт-Петербург, ул. Калинина, дом 2, корпус 4, литера А.