

**8-Channels Switch for Multi-Cells Li+/Polymer Battery Pack****AP9106****General Description**

AP9106 is 8-Channel analog switch which is suitable for up to 6-Cells in serial Li+/Polymer battery pack application.

AP9106 has four logic selection inputs (A/B/C/D). When all logic pins are set low, no channel is selected and the chip is turned off with shutdown mode. The A, B, C and D selection pins are compatible with TTL/CMOS logic level, can be connected to MCU I/O port directly to select the right channel respectively. The VOUT is output pin to indicate exactly the voltage of each battery cell.

AUX7, AUX8 pins are auxiliary channels, which can be connected to the NTC resistor to transfer the voltage variation into VOUT pin.

AP9106 is available in standard package of TSSOP-20.

**Features**

- $\pm 1\%$  Matching Error between any 2 Channels
- Up to 6-Cells in Serial Li+/Polymer Battery Pack Application with Single Chip
- Up to 11-cell in Serial Li+/Polymer Battery Pack Application with Dual Chip
- Ultra Low Current in Shutdown Mode:  $1.0\mu\text{A}$
- Compatible with TTL/CMOS for Logic Level
- Logic Level Shift Transfer
- Small Package: TSSOP-20

**Applications**

- E-Bike Li+ Battery Pack
- Electric Tool Battery Pack



Figure 1. Package Type of AP9106

**Pin Configuration**

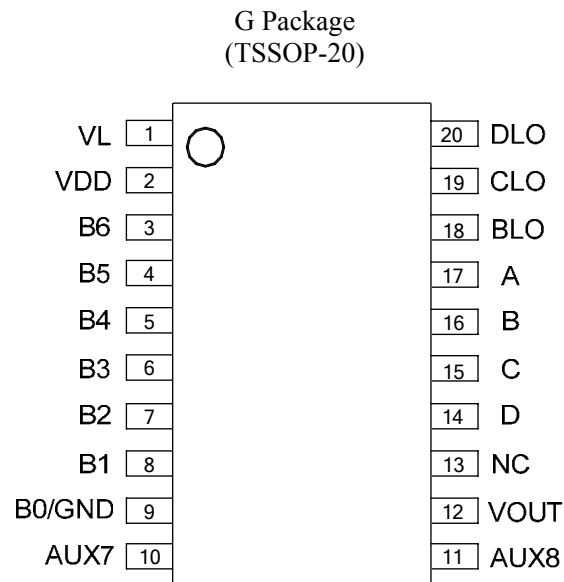


Figure 2. Pin Configuration of AP9106 (Top View)

**8-Channels Switch for Multi-Cells Li+/Polymer Battery Pack      AP9106****Pin Descriptions**

<b>Pin Number</b>	<b>Pin Name</b>	<b>Function</b>
1	VL	Level shift logic power supply
2	VDD	Power supply
3	B6	Positive node of sixth battery cell
4	B5	Positive node of fifth battery cell & negative node of sixth battery cell
5	B4	Positive node of fourth battery cell & negative node of fifth battery cell
6	B3	Positive node of third battery cell & negative node of fourth battery cell
7	B2	Positive node of second battery cell & negative node of third battery cell
8	B1	Positive node of first battery cell & negative node of second battery cell
9	B0(GND)	Ground and negative node of first battery cell
10	AUX7	Auxiliary channel 7
11	AUX8	Auxiliary channel 8
12	VOUT	Switch output pin
13	NC	No connected
14	D	Channel selection logic input D
15	C	Channel selection logic input C
16	B	Channel selection logic input B
17	A	Channel selection logic input A
18	BLO	Channel selection logic output B
19	CLO	Channel selection logic output C
20	DLO	Channel selection logic output D

Note 1: VDD pin should always be connected to the positive node of top battery.

Note 2: Voltage of VL pin should be equal to or larger than that of VDD pin.



**8-Channels Switch for Multi-Cells Li+/Polymer Battery Pack AP9106**

**Truth Table and Relationship between Input Logic, Output Logic and Selected Channel**

Logic Input				Logic Output			Active Channel	Output Voltage
A	B	C	D	BLO	CLO	DLO		
0	0	0	0	0	0	0	All channels OFF, chip is in shutdown mode	0V
0	0	0	1	0	0	0	QD1	B1 vs. B0(GND)
0	0	1	0	0	0	0	QD2	B2 vs. B1
0	0	1	1	0	0	0	QD3	B3 vs. B2
0	1	0	0	0	0	0	QD4	B4 vs. B3
0	1	0	1	0	0	0	QD5	B5 vs. B4
0	1	1	0	0	0	0	QD6	B6 vs. B5
0	1	1	1	0	0	0	QD7	AUX7 vs. GND
1	0	0	0	0	0	0	QD8	AUX8 vs. GND
1	0	0	1	0	0	1	QD6	B6 vs. B5
1	0	1	0	0	1	0	QD6	B6 vs. B5
1	0	1	1	0	1	1	QD6	B6 vs. B5
1	1	0	0	1	0	0	QD6	B6 vs. B5
1	1	0	1	1	0	1	QD6	B6 vs. B5
1	1	1	0	1	1	0	QD6	B6 vs. B5
1	1	1	1	1	1	1	QD6	B6 vs. B5

**8-Channels Switch for Multi-Cells Li+/Polymer Battery Pack AP9106**

**Functional Block Diagram**

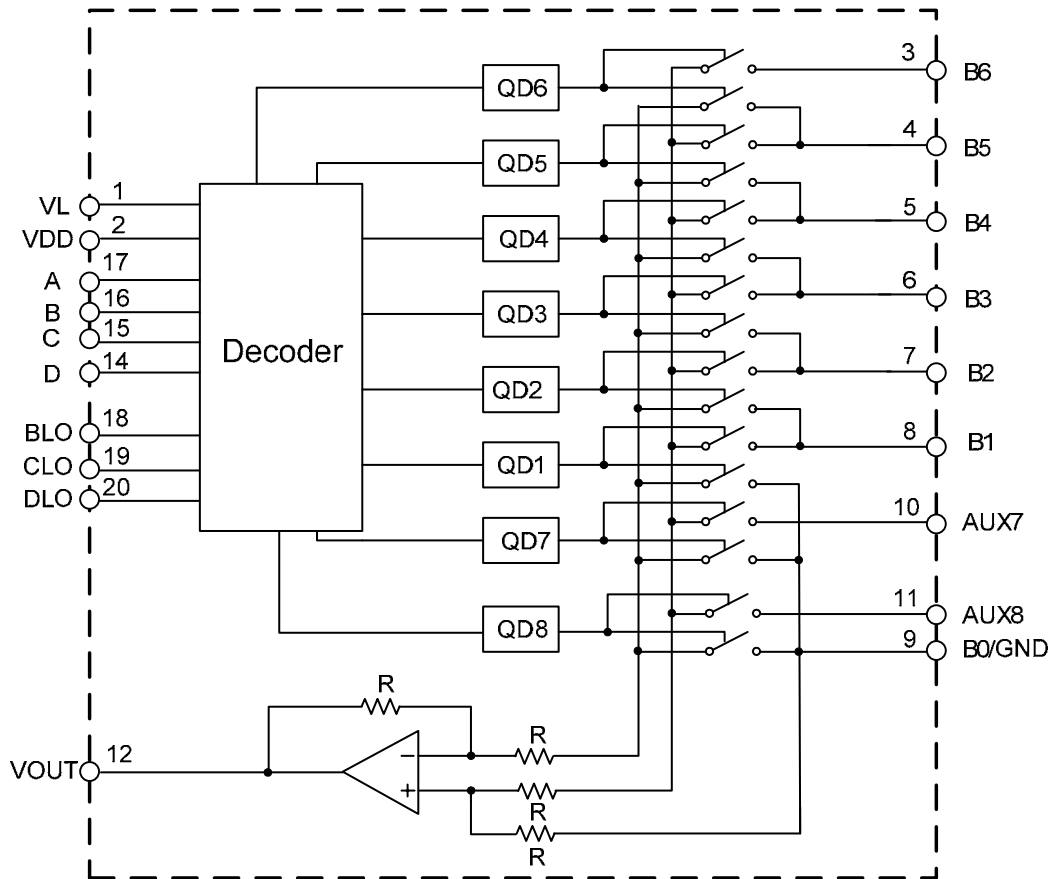
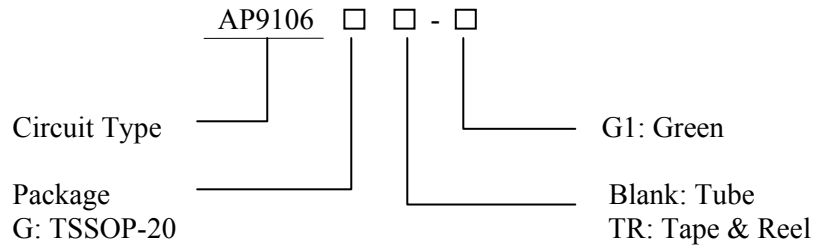


Figure 3. Functional Block Diagram of AP9106

**8-Channels Switch for Multi-Cells Li+/Polymer Battery Pack      AP9106**

**Ordering Information**



Package	Temperature Range	Part Number	Marking ID	Packing Type
TSSOP-20	-40 to 85°C	AP9106G-G1	AP9106GG	Tube
		AP9106GTR-G1	AP9106GG	Tape & Reel

BCD Semiconductor's Pb-free products, as designated with "G1" suffix in the part number, are RoHS compliant and green.

**8-Channels Switch for Multi-Cells Li+/Polymer Battery Pack AP9106****Absolute Maximum Ratings (Note 3)**

Parameter	Symbol	Value	Unit
Supply Voltage	V <sub>DD</sub>	-0.3 to 35	V
Voltage between B <sub>N</sub> and B <sub>N+1</sub> , AUX7/AUX8 and GND	V <sub>CELL</sub>	-0.3 to 5	V
Operating Junction Temperature Range	T <sub>J</sub>	150	°C
Storage Temperature Range	T <sub>STG</sub>	-65 to 150	°C
Lead Temperature (Soldering, 10sec)	T <sub>LEAD</sub>	260	°C
Thermal Resistance	θ <sub>JA</sub>	80	°C/W
ESD (Machine Model)		200	V
ESD (Human Body Model)		2000	V

Note 3: Stresses greater than those listed under “Absolute Maximum Ratings” may cause permanent damage to the device. These are stress ratings only, and functional operation of the device at these or any other conditions beyond those indicated under “Recommended Operating Conditions” is not implied. Exposure to “Absolute Maximum Ratings” for extended periods may affect device reliability.

**Recommended Operating Conditions**

Parameter	Symbol	Min	Max	Unit
Supply Voltage	V <sub>DD</sub>	6.0	27	V
Battery Cell Voltage	V <sub>CELL</sub>	2.0	4.5	V
Input Voltage (B6 vs. B5, B5 vs. B4, B4 vs. B3, B3 vs. B2, B2 vs. B1, B1 vs. GND, AUX7/8 vs. GND)	V <sub>IN</sub>	2.0	4.5	V
Operating Ambient Temperature	T <sub>A</sub>	-40	85	°C
Input Logic Level	V <sub>IL</sub> /V <sub>IH</sub>	0	5.0	V



**8-Channels Switch for Multi-Cells Li+/Polymer Battery Pack AP9106**

**Electrical Characteristics**

$V_{DD}=21.6V$ ,  $V_L=V_{DD}+4.4V=26V$ ,  $T_A=25^{\circ}C$ , **Bold** typeface applies over full temperature  $-40^{\circ}C \leq T_A \leq 85^{\circ}C$  ranges, unless otherwise specified.

Parameter	Symbol	Test Conditions	Min	Typ	Max	Unit
Supply Voltage	$V_{DD}$		6.0		27	V
Quiescent Current	$I_Q$			0.2	0.5	mA
Shutdown Current	$I_{SHUT}$	Set A, B, C, and D low		1.0	2.0	$\mu A$
<b>OPAMP Output Voltage</b>						
Offset Voltage	$V_{OS}$	Input DC voltage: 2.9V to 4.2V	-100		+100	mV
Output Voltage Switching	$V_{OL}$		2.0			V
	$V_{OH}$				4.5	V
<b>Switch</b>						
Bias Current	$I_{BIAS}$	For B2, B3, B4, B5 and B6 Pin		10	15	$\mu A$
		For B1, AUX7, AUX8 Pin			1	
Channel Matching Error between any 2 Channels	$E_{MATCH}$	Set all channel DC: 2.9V to 4.2V, $T_A=-40$ to $85^{\circ}C$ , $(V_{MAX}-V_{MIN})/average(CH1$ to CH7)		$\pm 1$		%
Channel Isolation		$f=100Hz$		-80		dB
Output Noise	$V_{NO}$	BW=100Hz, CH1 to CH7, DC input: 2.9V to 4.2V		50		$\mu V_{RMS}$
Channel Switching & Set-up Time	$t_{SET}$			1.0		ms
<b>Logic Input (Voltage Mode)</b>						
Logic Input High Level	$V_{IH}$	A, B, C, D	1.0		5.0	V
Logic Input Low Level	$V_{IL}$	A, B, C, D	0		0.6	V
Input Leakage Current	$I_L$	Set A, B, C, D low			1.0	$\mu A$
Pull Down Resistor	$R_{PULL-DOWN}$	A, B, C, D		1.0		$M\Omega$
<b>Logic Output (Voltage Mode)</b>						
Logic Input Low Level	$V_{OL}$	BLO, CLO, DLO		$V_{DD}$		V
Logic Input High Level	$V_{OH}$	BLO, CLO, DLO		$V_L$		V



**8-Channels Switch for Multi-Cells Li+/Polymer Battery Pack AP9106**

**Typical Application**

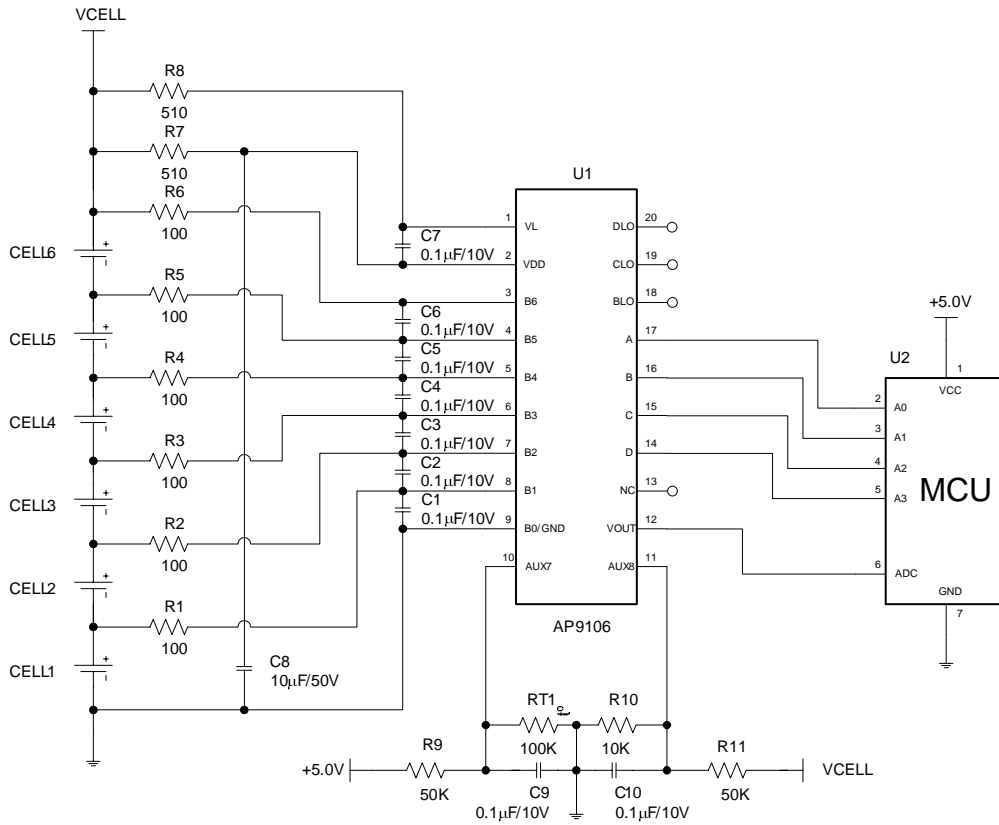


Figure 4. 6-cell Battery (Single Chip) Application for AP9106

**Truth Table for 6-cell (Single Chip) Battery Application**

Logic Input				Active Channel	Output Voltage
A	B	C	D		
0	0	0	0	All channels OFF, chip is in shutdown mode	0V
0	0	0	1	QD1	VCELL1
0	0	1	0	QD2	VCELL2
0	0	1	1	QD3	VCELL3
0	1	0	0	QD4	VCELL4
0	1	0	1	QD5	VCELL5
0	1	1	0	QD6	VCELL6
0	1	1	1	QD7	VTEMP
1	0	0	0	QD8	VTECELL

Typical Application (Continued)

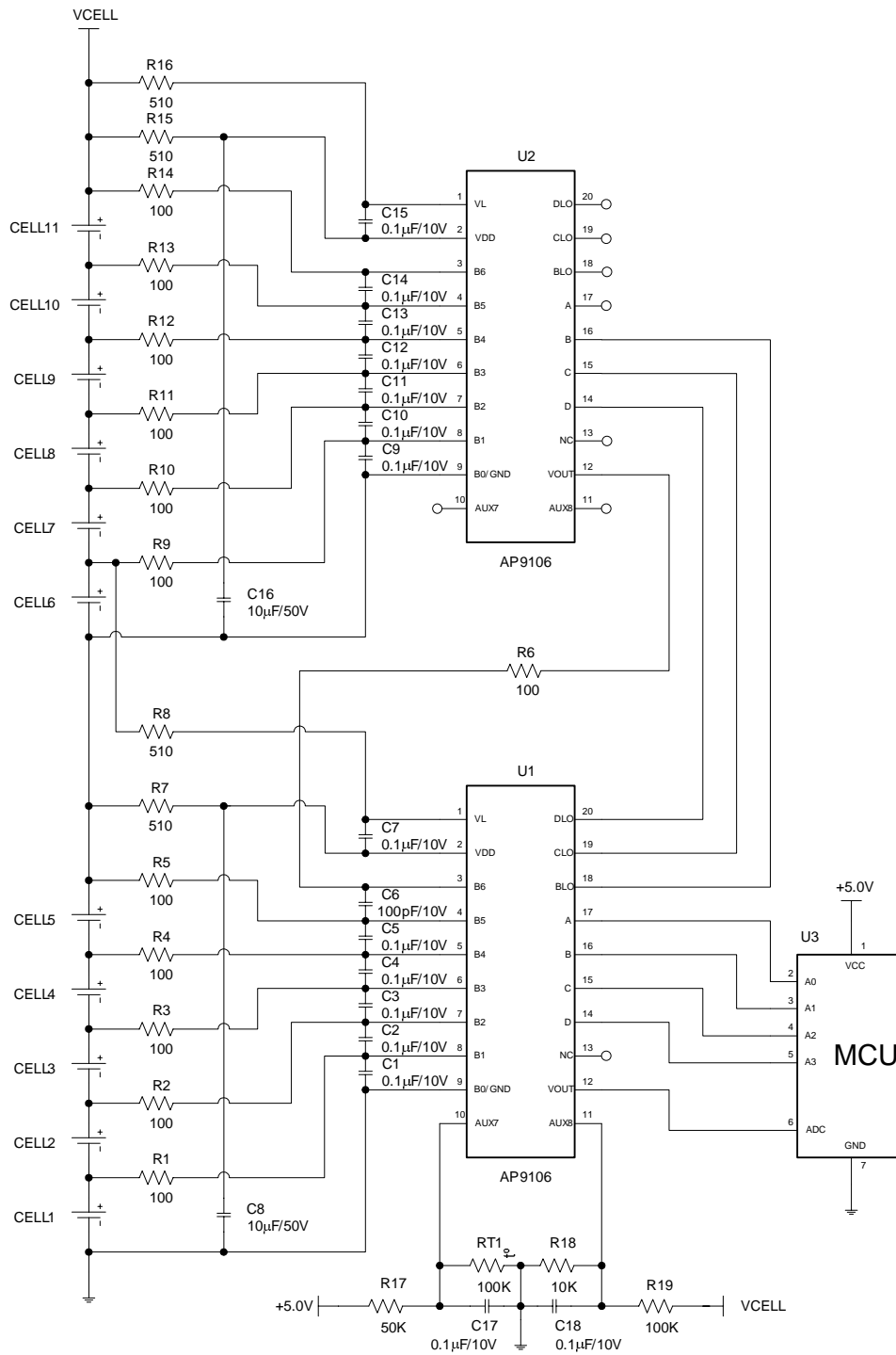


Figure 5. 11-cell Battery (Dual Chips) Application for AP9106

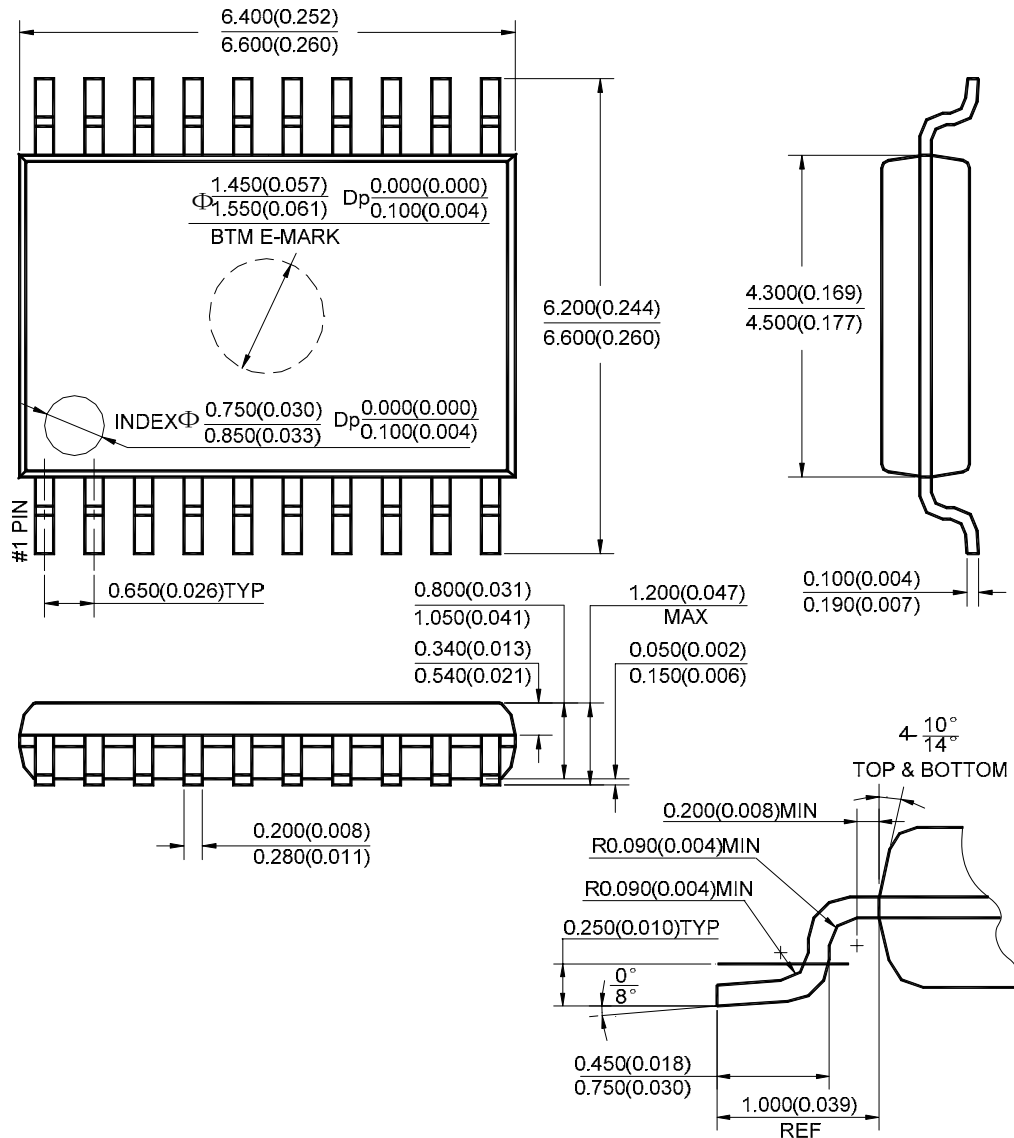
**8-Channels Switch for Multi-Cells Li+/Polymer Battery Pack AP9106****Truth Table for 11-cell (Dual Chips) Battery Application**

Logic Input				Active Channel (Lower Chip)	Active Channel (Upper Chip)	Output Voltage
A	B	C	D			
0	0	0	0	All channels OFF, chip is in shutdown mode	All channels OFF, chip is in shutdown mode	0V
0	0	0	1	QD1	Shutdown mode	VCELL1
0	0	1	0	QD2	Shutdown mode	VCELL2
0	0	1	1	QD3	Shutdown mode	VCELL3
0	1	0	0	QD4	Shutdown mode	VCELL4
0	1	0	1	QD5	Shutdown mode	VCELL5
0	1	1	0	QD6	Shutdown mode	0V
0	1	1	1	QD7	Shutdown mode	VTEMP
1	0	0	0	QD8	Shutdown mode	VTCELL
1	0	0	1	QD6	QD1	VCELL6
1	0	1	0	QD6	QD2	VCELL7
1	0	1	1	QD6	QD3	VCELL8
1	1	0	0	QD6	QD4	VCELL9
1	1	0	1	QD6	QD5	VCELL10
1	1	1	0	QD6	QD6	VCELL11
1	1	1	1	QD6	QD7	--

Mechanical Dimensions

TSSOP-20

Unit: mm(inch)



Note: Eject hole, oriented hole and mold mark is optional.



## BCD Semiconductor Manufacturing Limited

<http://www.bcdsemi.com>

### IMPORTANT NOTICE

BCD Semiconductor Manufacturing Limited reserves the right to make changes without further notice to any products or specifications herein. BCD Semiconductor Manufacturing Limited does not assume any responsibility for use of any its products for any particular purpose, nor does BCD Semiconductor Manufacturing Limited assume any liability arising out of the application or use of any its products or circuits. BCD Semiconductor Manufacturing Limited does not convey any license under its patent rights or other rights nor the rights of others.

---

#### MAIN SITE

##### - Headquarters

##### BCD (Shanghai) Micro-electronics Limited

No. 1600, Zi Xing Road, Shanghai ZiZhu Science-based Industrial Park, 200241, P. R. C.  
Tel: +86-021-2416-2266, Fax: +86-021-2416-2277

##### - Wafer Fab

##### Shanghai SIM-BCD Semiconductor Manufacturing Co., Ltd.

800 Yishan Road, Shanghai 200233, China  
Tel: +021-6485-1491, Fax: +86-021-5450-0008

#### REGIONAL SALES OFFICE

##### Shenzhen Office

##### Shanghai SIM-BCD Semiconductor Manufacturing Co., Ltd., Shenzhen Office

Unit A Room 1203, Skyworth Bldg., Gaoxin Ave.1.S., Nanshan District  
Shenzhen 518057, China  
Tel: +86-0755-8660-4900, Fax: +86-0755-8660-4958

##### Taiwan Office (Taipei)

##### BCD Semiconductor (Taiwan) Company Limited

3F, No.17, Lane 171, Sec. 2, Jiu-Zong Rd., Nei-Hu Dist., Taipei(114), Taiwan, R.O.C  
Tel: +886-2-2656-2808  
Fax: +886-2-2656-2806/26562950

##### Taiwan Office (Hsinchu)

##### BCD Semiconductor (Taiwan) Company Limited

8F, No.176, Sec. 2, Gong-Dao 5th Road, East District  
HsinChu City 300, Taiwan, R.O.C  
Tel: +886-3-5160181, Fax: +886-3-5160181

##### USA Office

##### BCD Semiconductor Corp.

48460 Kato Road, Fremont, CA 94538, USA  
Tel: +1-510-668-1950  
Fax: +1-510-668-1990

##### Korea Office

##### BCD Semiconductor Limited Korea office.

Room 101-1112, Digital-Empire II, 486 Sin-dong,  
Yeongtong-Gu, Suwon-city, Gyeonggi-do, Korea  
Tel: +82-31-695-8430



Компания «ЭлектроПласт» предлагает заключение долгосрочных отношений при поставках импортных электронных компонентов на взаимовыгодных условиях!

Наши преимущества:

- Оперативные поставки широкого спектра электронных компонентов отечественного и импортного производства напрямую от производителей и с крупнейших мировых складов;
- Поставка более 17-ти миллионов наименований электронных компонентов;
- Поставка сложных, дефицитных, либо снятых с производства позиций;
- Оперативные сроки поставки под заказ (от 5 рабочих дней);
- Экспресс доставка в любую точку России;
- Техническая поддержка проекта, помощь в подборе аналогов, поставка прототипов;
- Система менеджмента качества сертифицирована по Международному стандарту ISO 9001;
- Лицензия ФСБ на осуществление работ с использованием сведений, составляющих государственную тайну;
- Поставка специализированных компонентов (Xilinx, Altera, Analog Devices, Intersil, Interpoint, Microsemi, Aeroflex, Peregrine, Syfer, Eurofarad, Texas Instrument, Miteq, Cobham, E2V, MA-COM, Hittite, Mini-Circuits, General Dynamics и др.);

Помимо этого, одним из направлений компании «ЭлектроПласт» является направление «Источники питания». Мы предлагаем Вам помощь Конструкторского отдела:

- Подбор оптимального решения, техническое обоснование при выборе компонента;
- Подбор аналогов;
- Консультации по применению компонента;
- Поставка образцов и прототипов;
- Техническая поддержка проекта;
- Защита от снятия компонента с производства.



#### Как с нами связаться

**Телефон:** 8 (812) 309 58 32 (многоканальный)

**Факс:** 8 (812) 320-02-42

**Электронная почта:** [org@eplast1.ru](mailto:org@eplast1.ru)

**Адрес:** 198099, г. Санкт-Петербург, ул. Калинина, дом 2, корпус 4, литера А.