

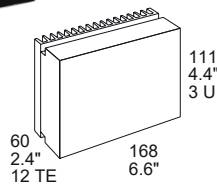
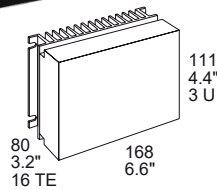


## PSK / PSS Series Positive Switching Regulators

The PSK/PSS Series of positive switching regulators is designed as power supplies for electronic systems, where no input-to-output isolation is required. Their major advantages include a high level of efficiency, high reliability, low output ripple, and excellent dynamic response. Models with input voltages up to 144 V are specially designed for secondary switched and battery-driven mobile applications. The converters are suitable for railway applications according to EN 50155 and EN 50121.

Two types of housing are available allowing operation up to 71 °C. They are designed for insertion into a 19" DIN-rack or for chassis mounting. Replacing the heat sink by an optional cooling plate, allows chassis or wall mounting on top of a metal surface, acting as heat sink.

Various options are available to adapt the converter to different applications. Connector type: H15 or H15S4, depending on output current.



### Features

- RoHS lead-free-solder and lead-solder-exempted products are available
- 5 year warranty for RoHS compliant products with an extended temperature range
- Input voltage up to 144 VDC
- Single output of 5.1 to 48 VDC
- No input-to-output isolation
- High efficiency up to 97%
- Extremely wide input voltage range
- Low input-to-output differential voltage
- Very good dynamic properties
- Input undervoltage lockout
- Active current sharing for parallel operation
- Output voltage adjustment, inhibit, and sense lines
- Continuously no-load and short-circuit proof
- All boards are coated with a protective lacquer

Safety-approved to the latest edition of IEC/EN 60950-1 and UL/CSA 60950-1



### Table of Contents

Description.....	1
Model Selection.....	2
Functional Description.....	3
Electrical Input Data.....	4
Electrical Output Data.....	6
Auxiliary Functions.....	12

Electromagnetic Compatibility (EMC).....	14
Mechanical Data.....	15
Immunity to Environmental Conditions.....	16
Safety and Installation Instructions.....	19
Description of Options.....	20
Accessories.....	21

### Model Selection

Table 1: Model Selection

Output voltage $V_{o\ nom}$ [V]	Output current $I_{o\ nom}$ [A]	Operating input voltage range $V_i$ [V]	Nom. input voltage $V_{o\ nom}$ [V]	Efficiency <sup>2</sup>		Type designation <sup>4</sup>	Connector type	Options
				$\eta_{min}$ [%]	$\eta_{max}$ [%]			
5.1	20	8 - 80	40	78	79	PSK5A20-9ECKG	H15	B, B1
12	9	18 - 144 <sup>1</sup>	60	90	91	PSS129-9G	H15	-7, E, B, B1
12	12	15 - 80	40	90	91	PSS1212-9G	H15	B, B1
12	12	18 - 144 <sup>1</sup>	60	90	91	PSK1212-9G	H15	-7, E, C, B, B1
12	16	15 - 80	40	89	90	PSK1216-9G	H15	-7, E, C, B, B1
12	20	15 - 80	40	89	90	PSK1220-9G	H15S4	-7, E, C, K, B, B1
15 <sup>3</sup>	9	22 - 144 <sup>1</sup>	60	90	92	PSS129-9G	H15	E, B, B1
15 <sup>3</sup>	12	19 - 80	40	90	92	PSS1212-9G	H15	-7, E, B, B1
15 <sup>3</sup>	12	22 - 144 <sup>1</sup>	60	90	92	PSK1212-9G	H15	-7, E, C, B, B1
15 <sup>3</sup>	16	19 - 80	40	89	90	PSK1216-9G	H15	-7, E, C, B, B1
15 <sup>3</sup>	20	19 - 80	40	89	90	PSK1220-9G	H15S4	-7, E, C, K, B, B1
24	9	31 - 144 <sup>1</sup>	60	93	94	PSS249-9G	H15	-7, E, C, B, B1
24	12	29 - 80	50	93.5	94	PSS2412-9G	H15	-7, E, B, B1
24	12	31 - 144 <sup>1</sup>	60	93.5	94	PSK2412-9G	H15	-7, E, C, B, B1
24	14	29 - 60	40	94.5		PSS2414-2G	H15	B, B1
24	16	29 - 80	50	93.5	94	PSK2416-9G	H15	-7, E, C, B, B1
24	20	29 - 80	50	93.5	95	PSK2420-9G	H15S4	-7, E, C, K, B, B1
36	9	44 - 144 <sup>1</sup>	80	95	96	PSS369-9G	H15	-7, E, B, B1
36	12	42 - 80	60	95	94	PSS3612-9G	H15	B, B1
36	12	44 - 144 <sup>1</sup>	80	95	96	PSK3612-9G	H15	-7, E, C, B, B1
36	16	42 - 80	60	94.5	95	PSK3616-9G	H15	-7, E, C, B, B1
36	20	42 - 80	60	94.5	95	PSK3620-9G	H15S4	-7, E, C, K, B, B1
48	12	58 - 144 <sup>1</sup>	80	96	97	PSK4812-9G	H15	-7, E, C, B, B1

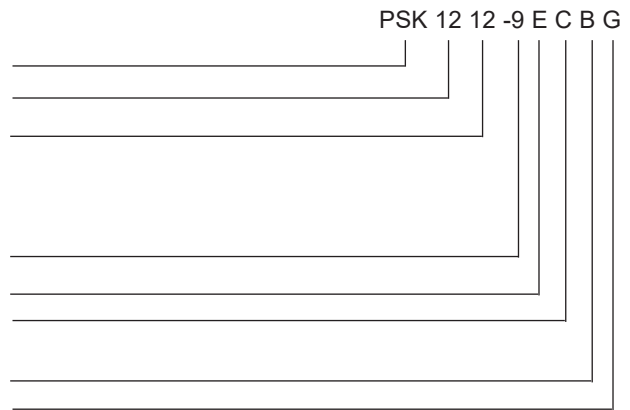
<sup>1</sup> Surges up to 156 V for 2 s; see *Electrical Input Data*  
<sup>2</sup> Efficiency at  $V_{i\ nom}$  and  $I_{o\ nom}$ . Models with opt. K (standard H15 connector) exhibit approx. 1 to 2% lower efficiency.  
<sup>3</sup> Output voltage  $V_o$  set to 15 V by R input.  
<sup>4</sup> Part numbers without suffix 'G' use the leaded solder exemption.

**Note:** Non-standard input/output configurations or special custom adaptations are available on request.

NFND: Not for new designs.  Preferred for new designs.

### Part Number Description

Positive switching regulator in case S01, K01 .....PSS, PSK  
 Nominal output voltage in Volt..... 5.1 – 48  
 Nominal output current in Ampere..... 9 – 25  
 Operational ambient temperature range  $T_A$   
     -10 to 50 °C .....-2  
     -25 to 71 °C .....-7  
     -40 to 71 °C (optional) .....-9  
 Options: Inrush current limitation .....E  
           Thyristor crowbar..... C  
           Standard H15 connector .....K  
           Cooling plate large/small ..... B, B1  
           RoHS-compliant for all 6 substances ..... G<sup>2</sup>



<sup>1</sup> Option P excludes R-features and vice versa.  
<sup>2</sup> G is always placed at the end of the part number.

**Example:** PSS129-9ECB = Positive switching regulator with output 12 V, 9 A, ambient temperature range of -25 to 71 °C, inrush current limitation, crowbar, and large cooling plate option B.

**Note:** The sequence of options must follow the order above.

**Product Marking**

Type designation, applicable approvals marks, warnings, pin allocation, identification of LED, test sockets, and optional potentiometer. Label with input voltage range, output voltage and current, protection degree, batch and serial no., and data code including production site, version, and date of production.

**Functional Description**

The switching regulators are using the buck topology. The input is not electrically isolated from the output. During the on period of the switching FET, current is transferred to the output, and energy is stored in the output choke. During the off period, this energy forces the current to continue flowing through the output choke and the freewheeling diode to the load. Regulation is accomplished by varying on/off duty cycle. Switching frequency is approx. 100 kHz. The converters exhibit an undervoltage monitor to prevent high currents at low input voltage, but no overvoltage monitor.

These regulators are ideal for applications, where an input to output isolation is not necessary or where it is already provided by an external front end, e.g. a transformer with rectifier. To optimize customers' needs, various options and accessories are available.

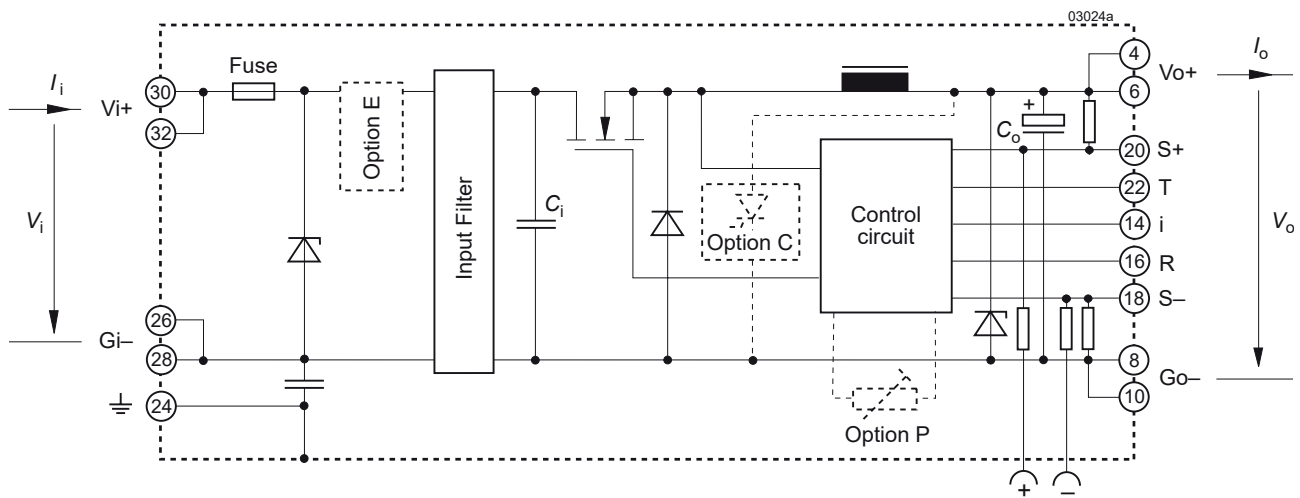


Fig. 1  
Block diagram

## Electrical Input Data

Table 2a: Input data. General Conditions:  $T_A = 25\text{ }^\circ\text{C}$ , unless  $T_C$  is specified

Model			PSS2414			PSK5A20			PSS1212 PSK1216 PSK1220			Unit
Characteristics		Conditions	min	typ	max	min	typ	max	min	typ	max	
$V_i$	Operating input voltage	$I_o = 0 - I_{o\text{ nom}}$ $T_{C\text{ min}} - T_{C\text{ max}}$	29		60	8		80	15		80	VDC
$\Delta V_{i\text{ o min}}$	Min. diff. voltage $V_i - V_o$				5			2.9			3	
$V_{i\text{ o}}$	Undervoltage lockout				12			6.5			7.3	
$I_{i\text{ o}}$	No-load input current	$I_o = 0, V_{i\text{ min}} - V_{i\text{ max}}$			50			50			50	mA
$I_{i\text{ nr p}}$	Inrush peak current	$V_{i\text{ nom}}$ with option E			40			40			40	A
$C_i$	Input capacitance				1600			1600			1600	$\mu\text{F}$

Table 2b: Input data. General Conditions:  $T_A = 25\text{ }^\circ\text{C}$ , unless  $T_C$  is specified

Model			PSS1212 <sup>1</sup> PSK1216 <sup>1</sup> PSK1220 <sup>1</sup>			PSS2412 PSK2416 PSK2420			PSS3612 PSK3616 PSK3620			Unit
Characteristics		Conditions	min	typ	max	min	typ	max	min	typ	max	
$V_i$	Operating input voltage <sup>1</sup>	$I_o = 0 - I_{o\text{ nom}}$ $T_{C\text{ min}} - T_{C\text{ max}}$	19		80	29		80	42		80	VDC
$\Delta V_{i\text{ o min}}$	Min. diff. voltage $V_i - V_o$				4			5			6	
$V_{i\text{ o}}$	Undervoltage lockout				7.3			12			19	
$I_{i\text{ o}}$	No-load input current	$I_o = 0, V_{i\text{ min}} - V_{i\text{ max}}$			50			50			50	mA
$I_{i\text{ nr p}}$	Inrush peak current	$V_{i\text{ nom}}$ with option E			40			50			90	A
$C_i$	Input capacitance				1600			1600			1600	$\mu\text{F}$

<sup>1</sup> Output set to 15 V with the R-input.

Table 2c: Input data. General Conditions:  $T_A = 25\text{ }^\circ\text{C}$ , unless  $T_C$  is specified

Model			PSS129 / PSK1212			PSS129 <sup>1</sup> / PSK1212 <sup>1</sup>			PSS249 / PSK2412			Unit
Characteristics		Conditions	min	typ	max	min	typ	max	min	typ	max	
$V_i$	Operating input voltage <sup>1</sup>	$I_o = 0 - I_{o\text{ nom}}$ $T_{C\text{ min}} - T_{C\text{ max}}$	18		144 <sup>2</sup>	22		144 <sup>2</sup>	31		144 <sup>2</sup>	VDC
$\Delta V_{i\text{ o min}}$	Min. diff. voltage $V_i - V_o$				6			7			7	
$V_{i\text{ o}}$	Undervoltage lockout				12			12			24	
$I_{i\text{ o}}$	No-load input current	$I_o = 0, V_{i\text{ min}} - V_{i\text{ max}}$			50			50			50	mA
$I_{i\text{ nr p}}$	Inrush peak current	$V_{i\text{ nom}}$ with option E			4.5			4.5			4.5	A
$C_i$	Input capacitance				620			620			620	$\mu\text{F}$

<sup>1</sup> Output set to 15 V with the R-input.

<sup>2</sup> Surges up to 156 V for 2 s are allowed (no shutdown).

Table 2d: Input data. General Conditions:  $T_A = 25\text{ }^\circ\text{C}$ , unless  $T_C$  is specified

Model			PSS369 / PSK3612			PSK4812			Unit
Characteristics		Conditions	min	typ	max	min	typ	max	
$V_i$	Operating input voltage <sup>1</sup>	$I_o = 0 - I_{o\text{ nom}}$ $T_{C\text{ min}} - T_{C\text{ max}}$	18		144 <sup>2</sup>	22		144 <sup>2</sup>	VDC
$\Delta V_{i\text{ o min}}$	Min. diff. voltage $V_i - V_o$				8			10	
$V_{i\text{ o}}$	Undervoltage lockout				36			48	
$I_{i\text{ o}}$	No-load input current	$I_o = 0, V_{i\text{ min}} - V_{i\text{ max}}$			50			50	mA
$I_{i\text{ nr p}}$	Inrush peak current	$V_{i\text{ nom}}$ with option E			6			6	A
$C_i$	Input capacitance				620			620	$\mu\text{F}$

<sup>1</sup> Surges up to 156 V for 2 s are allowed (no shutdown).

### Input Filter and Fuse

An input filter and a fuse are incorporated in all converters as standard. The filter reduces emitted electrical noise and prevents oscillations caused by the negative input impedance characteristic of a switched mode regulator. The input fuse protects against fatal defects; see table 3.

Table 3: Input fuses

Model	Fuse type	Size	Supplier
PSK5A20 PSK1220, PSK2420, PSK3620	F 25 A	6.3 x 32 mm	Littlefuse
PSK1216 PSK2416, PSK2418, PSK3620	F 20 A		
PSS1212, PSK1212 PSS2412, PSK2412 PSS3612, PSK3612, PSK3616 PSK4812	F 15 A		
PSS129, PSS249, PSS369	F 10 A		

The maximum permissible additionally superimposed ripple  $v_i$  of the input voltage (rectifier mode) at a specified input frequency  $f_i$  has the following values:

$$v_{i\max} = 1000 \text{ Hz}/f_i \cdot 1 \text{ V (or } 10 V_{pp} \text{ at } 100 \text{ Hz)}$$

### Inrush Current

Depending on the input source and the input impedance, the inrush current into the converter may reach a high peak value during the switch-on. The inrush current peak value can be determined by following calculation; see also fig. 2:

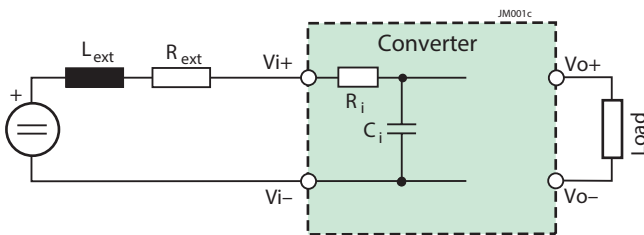


Fig. 2  
Equivalent input circuit

$$I_{\text{inrp}} = \frac{V_{\text{i source}}}{(R_{\text{s ext}} + R_i)}$$

To limit the inrush current, we recommend the choice of the active inrush current limitation circuit, option E.

## Electrical Output Data

General conditions:

- $T_A = 25\text{ °C}$ , unless  $T_C$  is specified
- R-input open (or  $V_o$  set to  $V_{o\text{ nom}}$  with option P)

Table 3a: Output data of PSS models

Output			PSS5A12			PSS1212			PSS1212 <sup>1</sup>			Unit	
Characteristics		Conditions	min	typ	max	min	typ	max	min	typ	max		
$V_o$	Output voltage	$V_{i\text{ nom}}, I_{o\text{ nom}}$	5.07		5.13	11.93		12.07	14.91		15.09	V	
$I_o$	Output current	$V_{i\text{ min}} - V_{i\text{ max}}$	0		12	0		12	0		12	A	
$I_{oL}$	Output current limitation	$T_{C\text{ min}} - T_{C\text{ max}}$	12		15	12		15	12		15		
$V_o$	Output voltage noise	Switching freq.	$V_{i\text{ nom}}, I_{o\text{ nom}}$			20			20			mV <sub>pp</sub>	
		Total incl. spikes	IEC/EN 61204 BW = 20 MHz			40			45				
			24			44			30				
			29			49			34				
$\Delta V_{oV}$	Static line regulation	$V_{i\text{ min}} - V_{i\text{ max}}, I_{o\text{ nom}}$	15			35			40			mV	
$\Delta V_{oI}$	Static load regulation	$V_{i\text{ nom}}, I_o = 0 - I_{o\text{ nom}}$	10			25			30				
$V_{oD}$	Dynamic load regulation	Voltage deviation	$V_{i\text{ nom}}$			70			140			150	
$t_d$		Recovery time	$I_{o\text{ nom}} \leftrightarrow 1/3 I_{o\text{ nom}}$ IEC/EN 61204			40			60				µs
$\alpha_{Vo}$	Temperature coefficient $\Delta V_o / \Delta T_C$ ( $T_{C\text{ min}}$ to $T_{C\text{ max}}$ )	$V_{i\text{ min}} - V_{i\text{ max}}$				±1			±3			±4	
		$I_o = 0 - I_{o\text{ nom}}$				±0.02			±0.02			±0.02	%/K

<sup>1</sup> Output set to 15 V with R-input.

Table 3b: Output data of PSS models. General conditions as per table 3a

Output			PSS2412			PSS2414			PSS3612			Unit	
Characteristics		Conditions	min	typ	max	min	typ	max	min	typ	max		
$V_o$	Output voltage	$V_{i\text{ nom}}, I_{o\text{ nom}}$	23.86		24.14	23.2		24.7	35.78		36.22	V	
$I_o$	Output current	$V_{i\text{ min}} - V_{i\text{ max}}$	0		12	0		14	0		12	A	
$I_{oL}$	Output current limitation	$T_{C\text{ min}} - T_{C\text{ max}}$	12		15	14		17.5	12		15		
$V_o$	Output voltage noise	Switching freq.	$V_{i\text{ nom}}, I_{o\text{ nom}}$			30			300			mV <sub>pp</sub>	
		Total incl. spikes	IEC/EN 61204 BW = 20 MHz			40			310				
			34			44			35				
			39			64			39				
$\Delta V_{oV}$	Static line regulation	$V_{i\text{ min}} - V_{i\text{ max}}, I_{o\text{ nom}}$	80			35			480			mV	
$\Delta V_{oI}$	Static load regulation	$V_{i\text{ nom}}, I_o = 0 - I_{o\text{ nom}}$	50			25			240				
$V_{oD}$	Dynamic load regulation	Voltage deviation	$V_{i\text{ nom}}$			180			700			200	
$t_d$		Recovery time	$I_{o\text{ nom}} \leftrightarrow 1/3 I_{o\text{ nom}}$ IEC/EN 61204			60			60				µs
$\alpha_{Vo}$	Temperature coefficient $\Delta V_o / \Delta T_C$ ( $T_{C\text{ min}}$ to $T_{C\text{ max}}$ )	$V_{i\text{ min}} - V_{i\text{ max}}$				±5			±5			±8	
		$I_o = 0 - I_{o\text{ nom}}$				±0.02			±0.02			±0.02	%/K

Table 3c: Output data of PSS models. General conditions as per table 3a

Output			PSS129			PSS129 <sup>1</sup>			PSS249			Unit	
Characteristics		Conditions	min	typ	max	min	typ	max	min	typ	max		
$V_o$	Output voltage	$V_{i\text{nom}}, I_{o\text{nom}}$	11.93		12.07	14.91		15.09	23.86		24.14	V	
$I_o$	Output current	$V_{i\text{min}} - V_{i\text{max}}$	0		9	0		9	0		9	A	
$I_{oL}$	Output current limitation	$T_{C\text{min}} - T_{C\text{max}}$	9		11.25	19		11.25	9		11.25		
$V_o$	Output voltage noise	Switching freq.	$V_{i\text{nom}}, I_{o\text{nom}}$			25 50			20 45			mV <sub>pp</sub>	
		Total incl. spikes	IEC/EN 61204 BW = 20 MHz			29 54			34 64				
$\Delta V_{oV}$	Static line regulation	$V_{i\text{min}} - V_{i\text{max}}, I_{o\text{nom}}$	40		70	50		80	80		170	mV	
$\Delta V_{oI}$	Static load regulation	$V_{i\text{nom}}, I_o = 0 - I_{o\text{nom}}$	30		50	40		60	50		120		
$V_{od}$	Dynamic load regulation	Voltage deviation	$V_{i\text{nom}}$			140			140			180	
$t_d$		Recovery time	$I_{o\text{nom}} \leftrightarrow \frac{1}{3} I_{o\text{nom}}$ IEC/EN 61204			60			60				$\mu\text{s}$
$\alpha_{Vo}$	Temperature coefficient $\Delta V_o / \Delta T_C$ ( $T_{C\text{min}}$ to $T_{C\text{max}}$ )	$V_{i\text{min}} - V_{i\text{max}}$				$\pm 3$			$\pm 4$			$\pm 5$	mV/K
		$I_o = 0 - I_{o\text{nom}}$				$\pm 0.02$			$\pm 0.02$			$\pm 0.02$	%/K

<sup>1</sup> Output set to 15 V with R-input.

Table 3d: Output data of PSS models. General conditions as per table 3a

Output			PSS369			PSS489			Unit			
Characteristics		Conditions	min	typ	max	min	typ	max				
$V_o$	Output voltage	$V_{i\text{nom}}, I_{o\text{nom}}$	35.78		36.22	47.71		48.29	V			
$I_o$	Output current	$V_{i\text{min}} - V_{i\text{max}}$	0		9	0		9	A			
$I_{oL}$	Output current limitation	$T_{C\text{min}} - T_{C\text{max}}$	9		11.25	9		11.25				
$V_o$	Output voltage noise	Switching freq.	$V_{i\text{nom}}, I_{o\text{nom}}$			35 60			35 60			mV <sub>pp</sub>
		Total incl. spikes	IEC/EN 61204 BW = 20 MHz			39 64			39 64			
$\Delta V_{oV}$	Static line regulation	$V_{i\text{min}} - V_{i\text{max}}, I_{o\text{nom}}$	120		250	150		350	mV			
$\Delta V_{oI}$	Static load regulation	$V_{i\text{nom}}, I_o = 0 - I_{o\text{nom}}$	60		120	70		150				
$V_{od}$	Dynamic load regulation	Voltage deviation	$V_{i\text{nom}}$			200			200			
$t_d$		Recovery time	$I_{o\text{nom}} \leftrightarrow \frac{1}{3} I_{o\text{nom}}$ IEC/EN 61204			70			70			$\mu\text{s}$
$\alpha_{Vo}$	Temperature coefficient $\Delta V_o / \Delta T_C$ ( $T_{C\text{min}}$ to $T_{C\text{max}}$ )	$V_{i\text{min}} - V_{i\text{max}}$				$\pm 5$			$\pm 4$			mV/K
		$I_o = 0 - I_{o\text{nom}}$				$\pm 0.02$			$\pm 0.02$			%/K

Table 4a: Output data of PSK models. General conditions as per table 3a

Output			PSK5A16			PSK5A20			PSK5A25			Unit
Characteristics		Conditions	min	typ	max	min	typ	max	min	typ	max	
$V_o$	Output voltage	$V_{i\text{nom}}, I_{o\text{nom}}$	5.07	5.13		5.07	5.13		5.07	5.13		V
$I_o$	Output current	$V_{i\text{min}} - V_{i\text{max}}$	0	16		0	20		0	25		A
$I_{oL}$	Output current limitation	$T_{C\text{min}} - T_{C\text{max}}$	16	20		20	25		25	31.5		
$V_o$	Output voltage noise	Switching freq.	$V_{i\text{nom}}, I_{o\text{nom}}$			20			20			mV <sub>pp</sub>
		Total incl. spikes	IEC/EN 61204 BW = 20 MHz			24			24			
$\Delta V_{oV}$	Static line regulation	$V_{i\text{min}} - V_{i\text{max}}, I_{o\text{nom}}$	15	35		15	35		15	35		mV
$\Delta V_{oI}$	Static load regulation	$V_{i\text{nom}}, I_o = 0 - I_{o\text{nom}}$	10	25		10	25		10	25		
$V_{od}$	Dynamic load regulation	Voltage deviation	$V_{i\text{nom}}$			70			70			$\mu\text{s}$
$t_d$		Recovery time	$I_{o\text{nom}} \leftrightarrow 1/3 I_{o\text{nom}}$ IEC/EN 61204			40			40			
$\alpha_{Vo}$	Temperature coefficient $\Delta V_o / \Delta T_C (T_{C\text{min}} \text{ to } T_{C\text{max}})$	$V_{i\text{min}} - V_{i\text{max}}$	$\pm 1$			$\pm 1$			$\pm 1$			mV/K
		$I_o = 0 - I_{o\text{nom}}$	$\pm 0.02$			$\pm 0.02$			$\pm 0.02$			%/K

Table 4b: Output data of PSK models. General conditions as per table 3a

Output			PSK1216			PSK1220			PSK1216 <sup>1</sup>			PSK1216 <sup>1</sup>		Unit
Characteristics		Conditions	min	typ	max	min	typ	max	min	typ	max	min	typ	
$V_o$	Output voltage	$V_{i\text{nom}}, I_{o\text{nom}}$	11.93	12.07		11.93	12.07		14.91	15.09		14.91	15.09	V
$I_o$	Output current	$V_{i\text{min}} - V_{i\text{max}}$	0	16		0	20		0	16		0	20	A
$I_{oL}$	Output current limitation	$T_{C\text{min}} - T_{C\text{max}}$	16	20		20	25		16	20		20	25	
$V_o$	Output voltage noise	Switching freq.	$V_{i\text{nom}}, I_{o\text{nom}}$			25			25			30		mV <sub>pp</sub>
		Total incl. spikes	IEC/EN 61204 BW = 20 MHz			29			29			34		
$\Delta V_{oV}$	Static line regulation	$V_{i\text{min}} - V_{i\text{max}}, I_{o\text{nom}}$	40	70		40	70		50	80		50	80	mV
$\Delta V_{oI}$	Static load regulation	$V_{i\text{nom}}, I_o = 0 - I_{o\text{nom}}$	30	50		30	50		35	55		35	55	
$V_{od}$	Dynamic load regulation	Voltage deviation	$V_{i\text{nom}}$			140			140			150		$\mu\text{s}$
$t_d$		Recovery time	$I_{o\text{nom}} \leftrightarrow 1/3 I_{o\text{nom}}$ IEC/EN 61204			60			60			60		
$\alpha_{Vo}$	Temperature coefficient $\Delta V_o / \Delta T_C (T_{C\text{min}} \text{ to } T_{C\text{max}})$	$V_{i\text{min}} - V_{i\text{max}}$	$\pm 3$			$\pm 3$			$\pm 4$			$\pm 4$		mV/K
		$I_o = 0 - I_{o\text{nom}}$	$\pm 0.02$			$\pm 0.02$			$\pm 0.02$			$\pm 0.02$		%/K

<sup>1</sup> Output set to 15 V with R-input.



Table 4c: Output data of PSK models. General conditions as per table 3a

Output			PSK2416			PPSK2420			PSK3616			PSK3620			Unit
Characteristics		Conditions	min	typ	max	min	typ	max	min	typ	max	min	typ	max	
$V_o$	Output voltage	$V_{i\text{nom}}, I_{o\text{nom}}$	23.86	24.14		23.86	24.14		35.78	36.22		35.78	36.22	V	
$I_o$	Output current	$V_{i\text{min}} - V_{i\text{max}}$	0	16		0	20		0	16		0	20	A	
$I_{oL}$	Output current limitation	$T_{C\text{min}} - T_{C\text{max}}$	16	20		20	25		16	20		20	25		
$V_o$	Output voltage noise	Switching freq.	$V_{i\text{nom}}, I_{o\text{nom}}$			30	60		30	60		35	60	$mV_{pp}$	
		Total incl. spikes	IEC/EN 61204 BW = 20 MHz			34	64		34	64		39	64		
$\Delta V_{oV}$	Static line regulation	$V_{i\text{min}} - V_{i\text{max}}, I_{o\text{nom}}$	80	170		80	170		120	250		120	250	mV	
$\Delta V_{oI}$	Static load regulation	$V_{i\text{nom}}, I_o = 0 - I_{o\text{nom}}$	50	120		50	120		60	120		60	120		
$V_{oD}$	Dynamic load regulation	Voltage deviation	$V_{i\text{nom}}$			180			500			200		μs	
$t_d$		Recovery time	$I_{o\text{nom}} \leftrightarrow \frac{1}{3} I_{o\text{nom}}$			60			2000			70			
$\alpha_{Vo}$	Temperature coefficient $\Delta V_o / \Delta T_C (T_{C\text{min}} \text{ to } T_{C\text{max}})$	$V_{i\text{min}} - V_{i\text{max}}$				±5			±5			±8		mV/K	
		$I_o = 0 - I_{o\text{nom}}$				±0.02			±0.02			±0.02		%/K	

Table 4d: Output data of PSK models. General conditions as per table 3a

Output			PSK1212			PSK1212 <sup>1</sup>			PSK2412			Unit		
Characteristics		Conditions	min	typ	max	min	typ	max	min	typ	max			
$V_o$	Output voltage	$V_{i\text{nom}}, I_{o\text{nom}}$	11.93		12.07	14.91		15.09	23.86		24.14	V		
$I_o$	Output current	$V_{i\text{min}} - V_{i\text{max}}$	0		12	0		12	0		12	A		
$I_{oL}$	Output current limitation	$T_{C\text{min}} - T_{C\text{max}}$	12		15	12		15	12		15			
$V_o$	Output voltage noise	Switching freq.	$V_{i\text{nom}}, I_{o\text{nom}}$			25	50		30	60		35	60	$mV_{pp}$
		Total incl. spikes	IEC/EN 61204 BW = 20 MHz			29	54		34	64		39	65	
$\Delta V_{oV}$	Static line regulation	$V_{i\text{min}} - V_{i\text{max}}, I_{o\text{nom}}$	40		70	50		80	80		170	mV		
$\Delta V_{oI}$	Static load regulation	$V_{i\text{nom}}, I_o = 0 - I_{o\text{nom}}$	30		50	40		60	50		120			
$V_{oD}$	Dynamic load regulation	Voltage deviation	$V_{i\text{nom}}$			140			140			180	μs	
$t_d$		Recovery time	$I_{o\text{nom}} \leftrightarrow \frac{1}{3} I_{o\text{nom}}$			60			60			60		
$\alpha_{Vo}$	Temperature coefficient $\Delta V_o / \Delta T_C (T_{C\text{min}} \text{ to } T_{C\text{max}})$	$V_{i\text{min}} - V_{i\text{max}}$				±3			±4			±5	mV/K	
		$I_o = 0 - I_{o\text{nom}}$				±0.02			±0.02			±0.02	%/K	

<sup>1</sup> Output set to 15 V with R-input.

Table 4e: Output data of PSK models. General conditions as per table 3a

Output			PSK3612			PSK4812			Unit
Characteristics		Conditions	min	typ	max	min	typ	max	
$V_o$	Output voltage	$V_{i\text{nom}}, I_{o\text{nom}}$	35.78		36.22	47.71		48.29	V
$I_o$	Output current	$V_{i\text{min}} - V_{i\text{max}}$	0		12	0		12	A
$I_{oL}$	Output current limitation	$T_{C\text{min}} - T_{C\text{max}}$	12		15	12		15	
$V_o$	Output voltage noise	Switching freq.	$V_{i\text{nom}}, I_{o\text{nom}}$		35	60	$V_{i\text{nom}}, I_{o\text{nom}}$		mV <sub>pp</sub>
		Total incl. spikes	IEC/EN 61204 BW = 20 MHz		39	64	39		
$\Delta V_{oV}$	Static line regulation	$V_{i\text{min}} - V_{i\text{max}}, I_{o\text{nom}}$	120		250	150		350	mV
$\Delta V_{oI}$	Static load regulation	$V_{i\text{nom}}, I_o = 0 - I_{o\text{nom}}$	60		120	70		150	
$V_{od}$	Dynamic load regulation	Voltage deviation	$V_{i\text{nom}}$		200	$V_{i\text{nom}}$		200	
$t_d$		Recovery time	$I_{o\text{nom}} \leftrightarrow 1/3 I_{o\text{nom}}$ IEC/EN 61204		70	70		70	$\mu\text{s}$
$\alpha_{V_o}$	Temperature coefficient $\Delta V_o / \Delta T_C (T_{C\text{min}} \text{ to } T_{C\text{max}})$	$V_{i\text{min}} - V_{i\text{max}}$			$\pm 5$			$\pm 4$	mV/K
		$I_o = 0 - I_{o\text{nom}}$			$\pm 0.02$			$\pm 0.02$	%/K

### Output Voltage Regulation

The dynamic load regulation is shown in fig. 3:

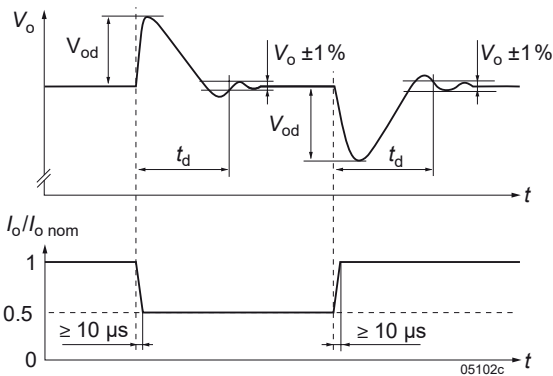


Fig. 3  
Dynamic load regulation.

### Current Limitation

A constant current limitation circuit holds the output current  $I_o$  almost constant in the area of 100 to 120% of  $I_{o\text{nom}}$ , when an overload or a short-circuit is applied to the output. It acts self-protecting and recovers – in contrary to the fold back method – automatically after removal of the overload or short-circuit condition.

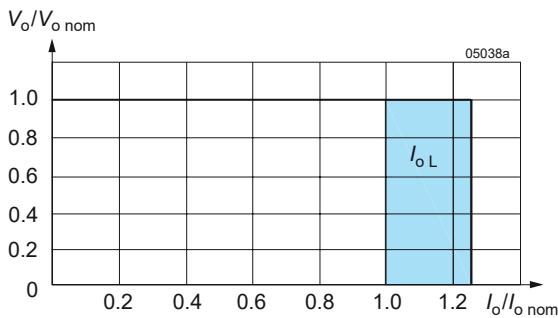


Fig. 4  
Overload, short-circuit behavior  $V_o$  versus  $I_o$ .

**Output Protection**

A voltage suppressor diode, which in worst case conditions fails into a short-circuit, protects the output against an internally generated overvoltage. Such an overvoltage could occur due to a failure of either the control circuit or the switching transistor. The output protection is not designed to withstand externally applied overvoltages.

**Parallel and Series Connection**

Outputs of equal nominal voltage may be parallel-connected. Interconnect the current sharing pins T (pin 22) for even distribution of the output current; see *Auxiliary Functions*.

Outputs can be series-connected with any other regulator, provided that the regulators are powered by electrically isolated source voltages. In series connection the maximum output current is limited by the lowest current limitation.

**Thermal Considerations and Protection**

When a switching regulator is located in free, quasi-stationary air (convection cooling) at a temperature  $T_{A,max}$  and is operated at its nominal output current  $I_{o,nom}$ , the case temperature  $T_C$  can rise over  $T_{C,max}$  after the warm-up phase.  $T_C$  is measured at the measuring point of case temperature; see *Mechanical Data*.

Under practical operating conditions, the ambient temperature  $T_A$  may exceed  $T_{A,max}$ , provided that additional measures (heat sink, forced cooling, etc.) are taken to ensure that the case temperature  $T_C$  does not exceed its maximum value.

The regulator is protected by an internal temperature sensor, which inhibits the output above  $T_{C,max}$ . The output automatically recovers, when the temperature drops below  $T_{C,max}$ .

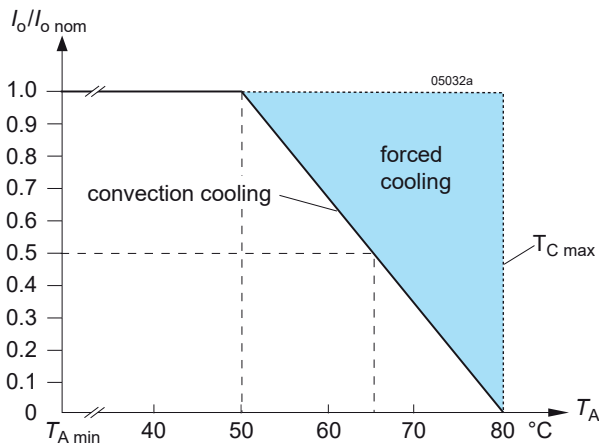


Fig. 5a  
Output current derating versus temperature (models -2)

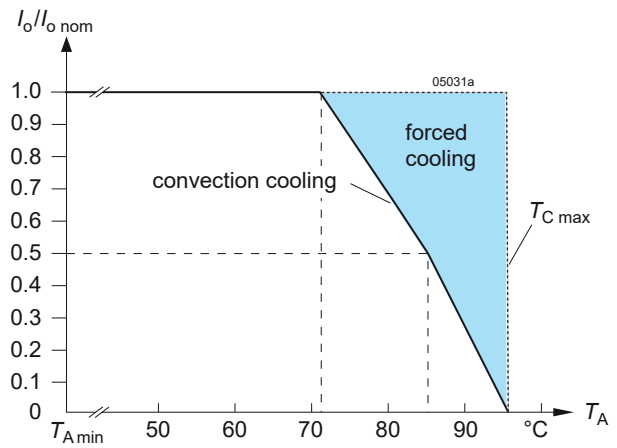


Fig. 5b  
Output current derating versus temp. (models -7 or -9)

**Auxiliary Functions**

**Inhibit (Remote On / Off)**

The inhibit input allows to enable or disable the output with a control signal. In systems with several regulations, this feature can be used to control the activation sequence of the regulators by a logic signal (TTL, C-MOS, etc.). An output voltage overshoot will not occur, when switching on or off.

The inhibit signal is referenced to the S– (pin 18). The signal *i* and the switching times are specified in table 5, fig. 6 to 8.

**Note:** With open *i* input, the output is enabled.

Table 5: Inhibit characteristics

Characteristics		Conditions	min	typ	max	Unit
$V_{inh}$	Inhibit input voltage	$V_o = \text{on}$	$V_{i\ min} - V_{i\ max}$	- 50	+0.8	V
		$V_o = \text{off}$	$T_{C\ min} - T_{C\ max}$	+2.4	+50	
$t_r$	Switch-on time	$V_i = V_{i\ nom}$		130		ms
$t_f$	Switch-off time	$R_L = V_{o\ nom} / I_{o\ nom}$		25		
$I_{inh}$	Input current when inhibited	$V_i = V_{i\ nom}$		25		mA

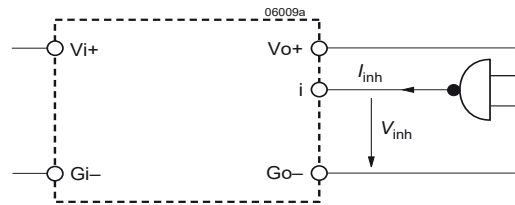


Fig. 6  
Specification of the inhibit signal (typical)

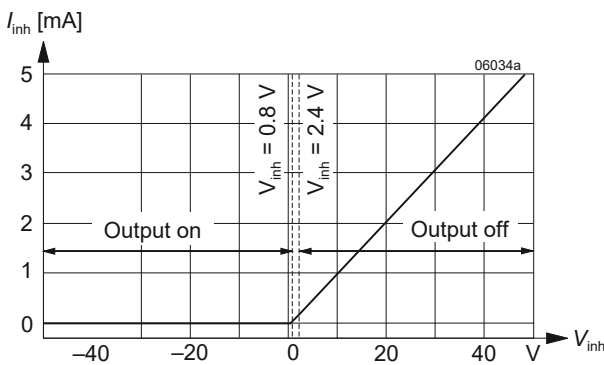


Fig. 7  
Specification of the inhibit signal (typical)

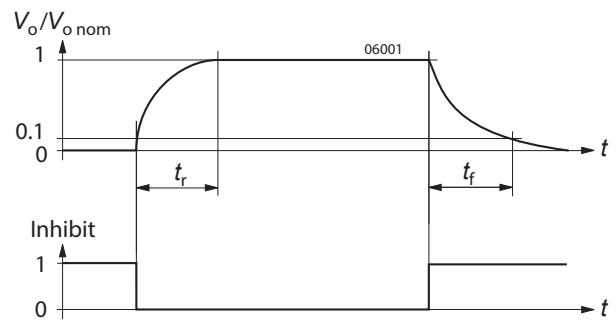


Fig. 8  
Output response as a function of the inhibit signal

**Sense Lines**

This feature enables compensation of the voltage drop across the connector contacts and the load lines. If the sense lines are connected at the load rather than directly at the connector, the user must ensure that  $V_{o\ max}$  (between  $V_o+$  and  $Go-$ ) is not exceeded. Applying generously dimensioned cross-section load leads reduces the voltage drop. To minimize noise pick-up, the sense lines should be wired in parallel or twisted.

To ensure correct operation, both sense lines must be connected to their respective power output. The voltage difference between any sense line and its respective power output pin (as measured on the connector) should not exceed the values given in table 6.

**Note:** Sense lines should always be connected! It is recommended to connect the sense lines directly at the female connector.

Table 6: Allowed voltage compensation using sense lines

Nominal output voltage	Total voltage difference between both sense lines and their respective output	Voltage difference between $Go-$ and $S-$
3.3 V, 5.1 V	$\leq 0.5\ V$	$\leq 0.25\ V$
12 – 48 V	$\leq 1.0\ V$	$\leq 0.25\ V$

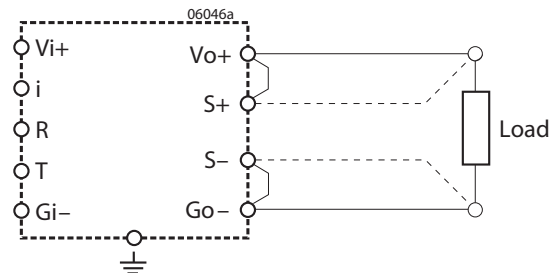


Fig. 9  
Sense lines connection

**Current Sharing**

For parallel operation of several regulators, interconnect all T-pins to ensure that the output currents are evenly distributed. This feature improves transient load performance and increases system reliability. All paralleled regulators should be supplied by equal input voltage ( $V_i$ ). The output lines should exhibit equal length and cross section to provide equal voltage drop.

**R Control (Output Voltage Adjust)**

**Note:** With open R input,  $V_o \approx V_{o\text{ nom}}$ .

The output voltage  $V_o$  can either be adjusted with an external voltage source ( $V_{\text{ext}}$ ) or with an external resistor ( $R_{\text{ext1}}$  or  $R_{\text{ext2}}$ ). The adjustment range is approx.  $0 - V_{o\text{ max}}$ . The minimum differential voltage  $\Delta V_{i\text{ o min}}$  between input and output (see *Electrical Input Data*) should be maintained.

a)  $V_o = 0 - V_{o\text{ max}}$ , using  $V_{\text{ext}}$  between R and S-:

$$V_{\text{ext}} \approx 2.5 \text{ V} \cdot \frac{V_o}{V_{o\text{ nom}}} \quad V_o \approx V_{o\text{ nom}} \cdot \frac{V_{\text{ext}}}{2.5 \text{ V}}$$

**Caution:** To prevent damage  $V_{\text{ext}}$  should not exceed 20 V, nor be negative.

b)  $V_o = 0$  to  $V_{o\text{ nom}}$ , using  $R_{\text{ext1}}$  between R and S-:

$$R_{\text{ext1}} \approx \frac{4000 \Omega \cdot V_o}{V_{o\text{ nom}} - V_o} \quad V_o \approx \frac{V_{o\text{ nom}} \cdot R_{\text{ext1}}}{R_1 + 4000 \Omega}$$

c)  $V_o = V_{o\text{ nom}}$  to  $V_{o\text{ max}}$ , using  $R_{\text{ext2}}$  between R and S+:

$$R_{\text{ext2}} \approx \frac{4000 \Omega \cdot V_o \cdot (V_{o\text{ nom}} - 2.5 \text{ V})}{2.5 \text{ V} \cdot (V_o - V_{o\text{ nom}})}$$

$$V_o \approx \frac{V_{o\text{ nom}} \cdot 2.5 \text{ V} \cdot R_{\text{ext2}}}{2.5 \text{ V} \cdot (R_2 + 4000 \Omega) - V_{o\text{ nom}} \cdot 4000 \Omega}$$

**Caution:**  $R_{\text{ext}}$  should never be less than 47 k $\Omega$ .

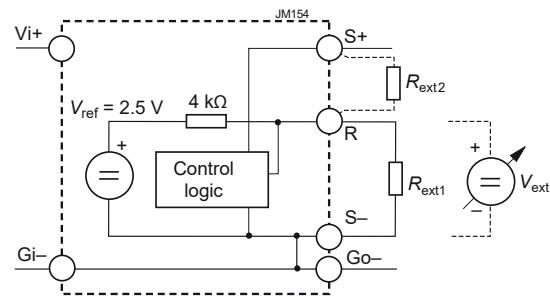


Fig. 10  
Voltage adjustment via R-input

Table 7: Maximum adjustable output voltage

$V_{o\text{ nom}}$	Nominal Output Voltage	Conditions	3.3 V		5.1 V		12/15 V		24 V		36 V		48 V		Unit
			min	typ	min	typ	min	typ	min	typ	min	typ	min	typ	
$V_{o\text{ max}}$	Max. adjustable output voltage with R-input	$V_{i\text{ nom}}, I_{o\text{ nom}}$			5.5		16		26		42.5		52.8		V

**Test Sockets**

Test sockets (pin  $\varnothing = 2 \text{ mm}$ ) for measuring the output voltage  $V_o$  at the sense lines, are located at the front side of the regulator. The test sockets are protected by a series resistor.

**LED Output Voltage Indicator**

A green LED indicator shines when the output voltage is present.

**Electromagnetic Compatibility (EMC)**

**Electromagnetic Immunity**

General condition: Case earthed.

Table 8: Immunity type tests

Phenomenon	Standard	Level	Coupling mode	Value applied	Waveform	Source imped.	Test procedure	In oper.	Perf. crit. <sup>2</sup>
Direct transients <sup>2</sup>	IEC 60571-1	2	i/c, +i/-i	800 V <sub>p</sub>	100 μs	100 Ω	1 positive and 1 negative surge per coupling mode	yes	B
				1500 V <sub>p</sub>	50 μs				
				3000 V <sub>p</sub>	5 μs				
				4000 V <sub>p</sub>	1 μs				
				7000 V <sub>p</sub>	100 ns				
Electrostatic discharge (to case)	IEC/EN 61000-4-2	4 <sup>2</sup>	contact discharge	6000 V <sub>p</sub>	1/50 ns	330 Ω	10 pos. & 10 neg. discharges	yes	A
			air discharge	8000 V <sub>p</sub>					
Electromagnetic field	IEC/EN 61000-4-3	3 <sup>2</sup> 2 <sup>3</sup>	antenna	10 V/m <sup>2</sup> 3 V/m <sup>3</sup>	AM 80% / 1 kHz	N/A	80 – 1000 MHz	yes	A
		3 <sup>2</sup>	antenna	10 V/m	50% duty cycle, 200 Hz rep. rate	N/A	900 ± 5 MHz		A
Electrical fast transients / burst	IEC/EN 61000-4-4	3 <sup>2</sup> 2 <sup>3</sup>	i/c, +i/-i	2000 V <sub>p</sub> <sup>2</sup> 1000 V <sub>p</sub> <sup>3</sup>	bursts of 5/50 ns; 5 kHz repet. rate; transients with 15 ms burst duration; 300 ms period	50 Ω	60 s positive 60 s negative transients per coupling mode	yes	A
		4 <sup>2</sup> 3 <sup>3</sup>		4000 V <sub>p</sub> <sup>2</sup> 2000 V <sub>p</sub> <sup>3</sup>					B <sup>5</sup>
Surges	IEC/EN 61000-4-5	3 <sup>2</sup> 2 <sup>3</sup>	i/c	2000 V <sub>p</sub> <sup>2</sup> 1000 V <sub>p</sub> <sup>3</sup>	1.2 / 50 μs	12 Ω	5 pos. & 5 neg. surges per coupling mode	yes	A
		3 <sup>2</sup> 1 <sup>3</sup>	+i/-i	1000 V <sub>p</sub> <sup>2</sup> 500 V <sub>p</sub> <sup>3</sup>		2 Ω			
Conducted disturbances	IEC/EN 61000-4-6	3 <sup>2</sup> 2 <sup>3</sup>	i, o, signal wires	10 VAC <sup>2</sup> 3 VAC <sup>3</sup>	AM 80% / 1 kHz	150 Ω	0.15 – 80 MHz	yes	A

<sup>1</sup> i = input, o = output, c = case  
<sup>2</sup> Not applicable for -2 models  
<sup>3</sup> Valid for -2 models  
<sup>4</sup> A = Normal operation, no deviation from specifications, B = Normal operation, temporary loss of function or deviation from specs possible  
<sup>5</sup> With option C, manual reset might be necessary.

**Electromagnetic Emission**

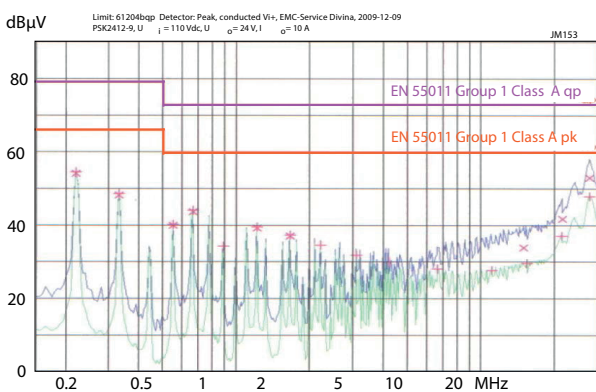


Fig. 11  
Typical conducted disturbance voltage (quasi-peak & average) according to EN 55011 Group 1, Class A, measured at V<sub>i nom</sub> = 110 V and I<sub>o</sub> = 10 A (PSK2412-9).

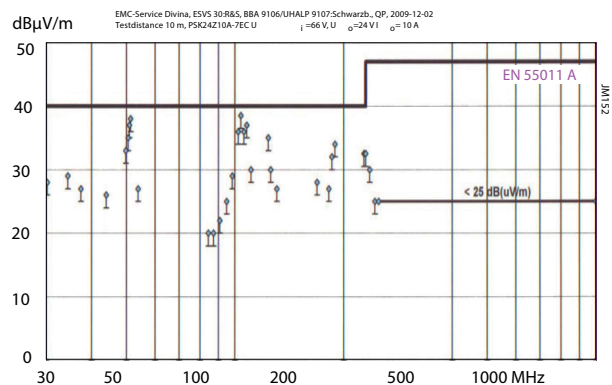


Fig. 12  
Typ. radiated disturbance voltage (quasi-peak) in 10 m distance according to EN 55011 Group 1, Class A, measured at V<sub>i nom</sub> = 110 V and I<sub>o</sub> = 10 A (PSK2412-9).

## Immunity to Environmental Conditions

Table 9: Mechanical and climatic stress

Test method		Standard	Test Conditions		Status
Cab	Damp heat steady state	IEC/EN 60068-2-78 MIL-STD-810D section 507.2	Temperature:	40 ±2 °C	Regulator not operating
			Relative humidity:	93 ±2/-3 %	
			Duration:	56 days	
Db	Damp heat test, cyclic <sup>2</sup>	EN 50155:2007, clause 12.2.5 IEC/EN 60068-2-30	Temperature:	55 °C and 25 °C	Regulator not operating
			Cycles (respiration effect):	2	
			Duration:	2x 24 h	
Ka	Salt mist test (sodium chloride NaCl solution)	EN 50155:2007, clause 12.2.10 IEC/EN 60068-2-11, class ST2	Temperature:	35 ±2 °C	Regulator not operating
			Duration:	16 h	
Ea	Shock (half-sinusoidal)	IEC/EN 60068-2-27 MIL-STD-810D section 516.3	Acceleration amplitude:	50 g <sub>n</sub> = 490 m/s <sup>2</sup>	Regulator operating
			Bump duration:	11 ms	
			Number of bumps:	18 (3 in each direction)	
Eb	Bump (half-sinusoidal)	IEC/EN 60068-2-29 MIL-STD-810D section 516.3	Acceleration amplitude:	25 g <sub>n</sub> = 245 m/s <sup>2</sup>	Regulator operating
			Bump duration:	11 ms	
			Number of bumps:	6000 (1000 in each direction)	
Fda	Random vibration wide band Reproducibility high	IEC/EN 60068-2-35 DIN 40046 part 23	Acceleration spectral density:	0.05 g <sub>n</sub> <sup>2</sup> /Hz	Regulator operating
			Frequency band:	20 to 500 Hz	
			Acceleration magnitude:	4.9 g <sub>n,rms</sub>	
			Test duration:	3 h (1 h in each axis)	
-	Shock	EN 50155:2007 clause 12.2.11 EN 61373 sect. 10, class B, body mounted <sup>1</sup>	Acceleration amplitude:	5.1 g <sub>n</sub>	Regulator operating
			Bump duration:	30 ms	
			Number of bumps:	18 (3 in each direction)	
-	Simulated long life testing at increased random vibration levels	EN 50155:2007 clause 12.2.11 EN 61373 sect. and 9, class B, body mounted <sup>1</sup>	Acceleration spectral density:	0.02 g <sub>n</sub> <sup>2</sup> /Hz	Regulator operating
			Frequency band:	5 to 150 Hz	
			Acceleration magnitude:	0.8 g <sub>n,rms</sub>	
			Test duration:	15 h (5 h in each axis)	

<sup>1</sup> Body mounted = chassis of a railway coach

<sup>2</sup> Models with version V104 or later

## Temperatures

Table 10: Temperature specifications, valid for air pressure of 800 to 1200 hPa (800 to 1200 mbar)

Temperature			-2			-7			-9 (Option)			Unit
Characteristics		Conditions	min	typ	max	min	typ	max	min	typ	max	
T <sub>A</sub>	Ambient temperature <sup>1</sup>	Regulator operating <sup>1</sup>	- 10		50	- 25		71	- 40		71	°C
T <sub>C</sub>	Case temperature		- 10		85	- 25		95	- 40		95	
T <sub>S</sub>	Storage temperature <sup>1</sup>	Not operational	- 25		85	- 40		85	- 55		85	

<sup>1</sup> See *Thermal Considerations* and *Overtemperature Protection*.

## Reliability

Table 11: Typical MTBF and device hours

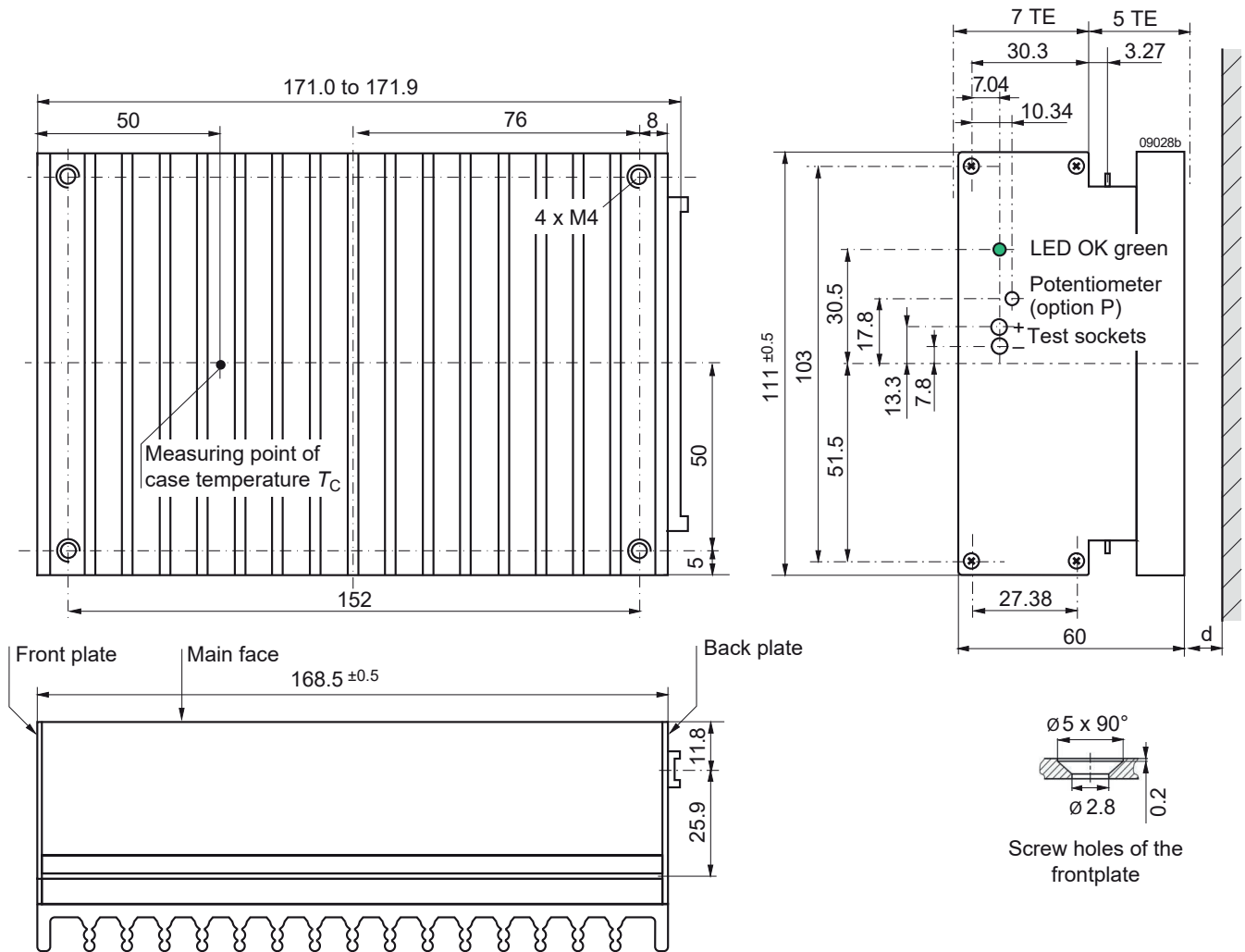
MTBF Case temperature	Ground benign	Ground fixed		Ground mobile	Device hours <sup>1</sup>
	T <sub>c</sub> = 40 °C	T <sub>c</sub> = 40 °C	T <sub>c</sub> = 70 °C	T <sub>c</sub> = 50 °C	
MTBF accord. to MIL-HDBK-217F	335 000 h	138 000 h	35 000 h	33 000 h	2 100 000 h

<sup>1</sup> Statistical values, based on an average of 4300 working hours per year and in general field use

**Mechanical Data**

**PSS Models**

The regulators are designed to be inserted into a rack according to IEC 60297-3. Dimensions in mm.



**Fig. 13**  
Case S01 for PSS models; weight 1.3 kg  
Aluminum, fully enclosed, black finish EP power-coated, and self cooling.

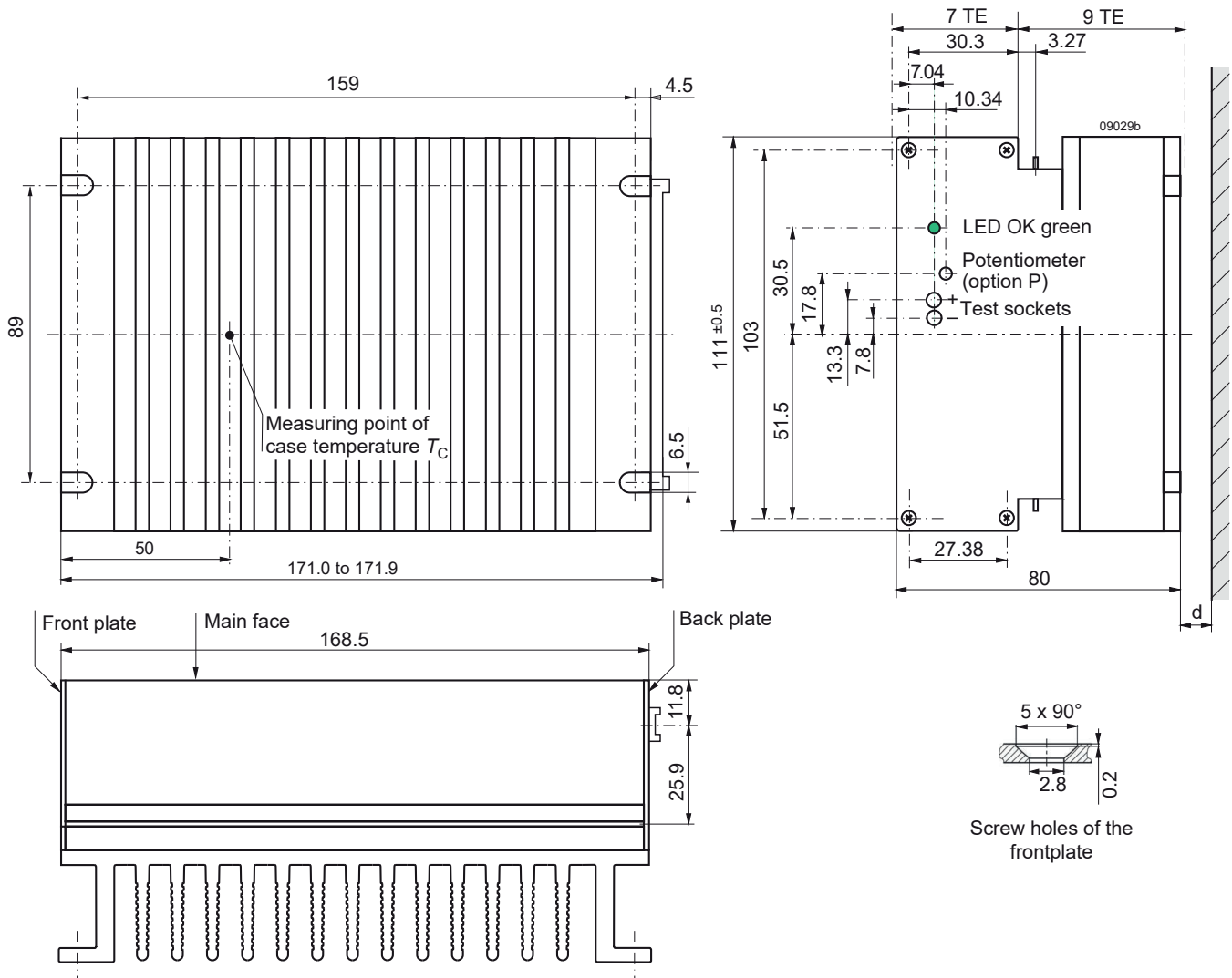
**Notes:**

- $d \geq 15$  mm, recommended minimum distance to next part to ensure proper air circulation at full output power.
- Free air locations: the regulator should be mounted with its fins in vertical position to achieve a maximum air flow through heat sink.



**PSK Models**

The regulators are designed to be inserted into a DIN-rack according to IEC 60297-3. Dimensions in mm.



**Fig. 14**  
Case K01 for PSK models, weight 1.6 kg  
Aluminum, fully enclosed, black finish EP powder-coated, and self cooling.

**Notes:**

- $d \geq 15$  mm, recommended minimum distance to next part to ensure proper air circulation at full output power.
- Free air locations: the regulator should be mounted with its fins in vertical position to achieve a maximum air flow through heat sink.

**Option B, B1**

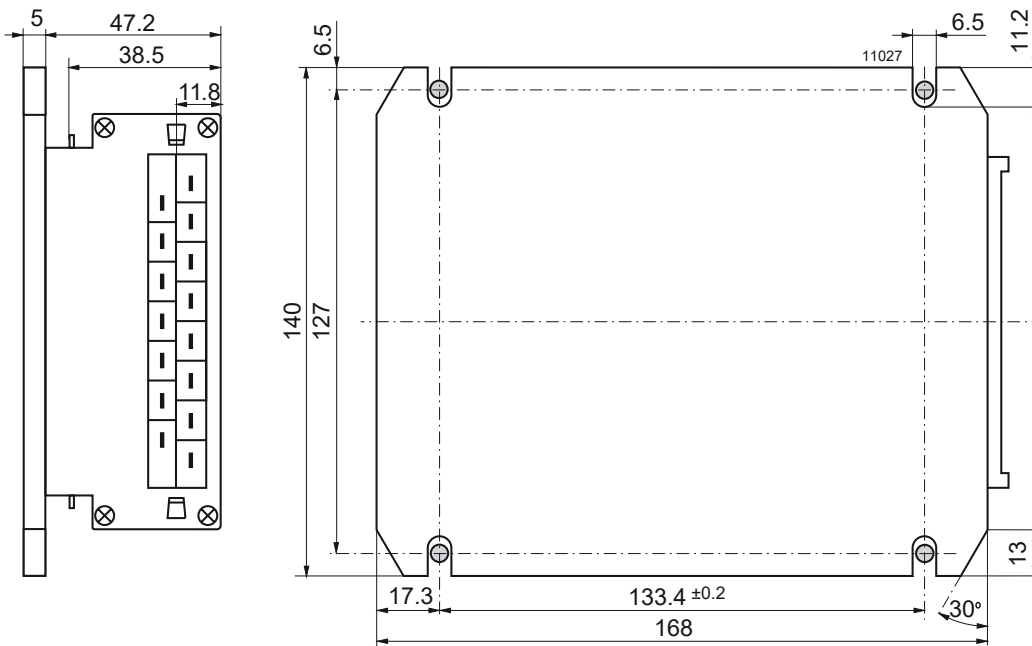


Fig. 15  
Option B, large cooling plate  
Weight: 1.3 kg

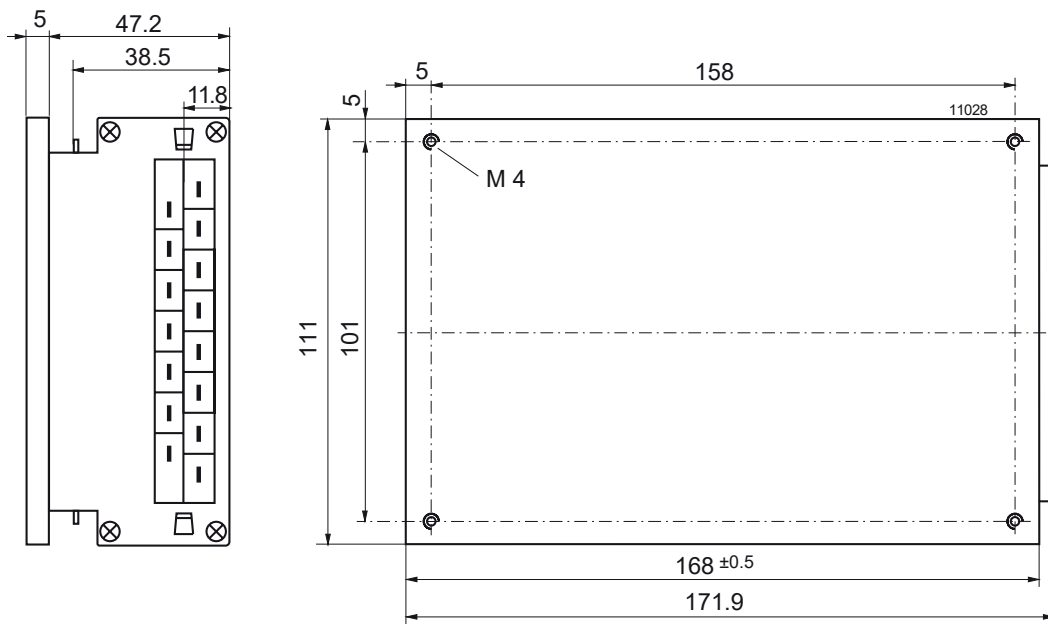


Fig. 16  
Option B1, small cooling plate  
Weight: 1.2 kg

## Safety and Installation Instructions

### Connector Pin Allocation

The connector pin allocation table defines the electrical potentials and the physical pin positions on the H15 or H15S4 connector. Pin 24 (protective earth) is a leading pin, which provides electrical contact first. The regulators should only be wired via the female connector H15 (according to DIN 41612) to ensure requested safety!

Table 12: H15 and H15S4 connector pin allocation

Electrical Determination	Type H15		Type H15S4	
	Pin no.	Ident.	Pin no.	Ident.
Output voltage (positive)	4	Vo+	4/6	Vo+
Output voltage (positive)	6	Vo+		
Output voltage (negative)	8	Go-	8/10	Go-
Output voltage (negative)	10	Go-		
Crowbar trigger input (option C)	12	C	12	C
Inhibit input	14	i	14	i
R-input (output voltage programming)	16	R	16	R
Sense line (negative)	18	S-	18	S-
Sense line (positive)	20	S+	20	S+
Current sharing control input	22	T	22	T
Protective ground (leading pin)	24	⊕	24	⊕
Input voltage (negative)	26	Gi-		Gi-
Input voltage (negative)	28	Gi-	26/28	
Input voltage (positive)	30	Vi+		Vi+
Input voltage (positive)	32	Vi+	30/32	

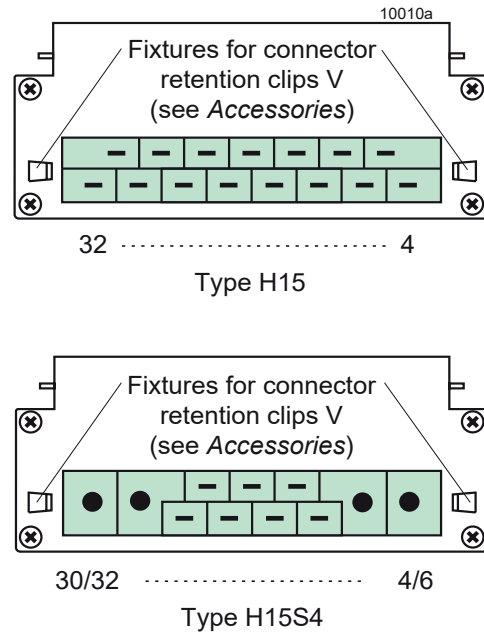


Fig. 17  
View of H15 and H15S4 male connector

### Installation Instruction

Installation of the regulators must strictly follow the national safety regulations in compliance with the enclosure, mounting, creepage, clearance, casualty, markings, and segregation requirements of the end-use application.

The input and the output circuit are not separated. The negative path is internally interconnected.

The regulators should be connected to a secondary circuit. Make sure that a regulator failure (e.g. by an internal short-circuit) does not result in a hazardous condition.

Do not open the regulator!

### Standards and Approvals

The regulators are safety-approved to UL/CSA 60950-1 2<sup>nd</sup> Ed. and IEC/EN 60950-1 2<sup>nd</sup> Ed. They correspond to Class I equipment (with case connected to ground).

The regulators have been evaluated for:

- Building in
- No insulation from input to output.
- The use in a pollution degree 2 environment
- Connecting the input to a secondary circuit, which is subject to a maximum transient rating of 1500 V.

The switching regulators are subject to manufacturing surveillance in accordance with the above mentioned standards and with ISO 9001:2015.

### Cleaning Liquids

In order to avoid possible damage, any penetration of cleaning fluids must be prevented, since the regulators are not hermetically sealed.

**Protection Degree**

The protection degree is IP 30. It applies only, if the regulator is plugged-in or the matching female connector is properly attached.

**Isolation and Protective Earth**

The resistance of the protective earth connection (max. 0.1 Ω) is tested. The electric strength between input interconnected with output and case is tested with 1500 VDC ≥1 s (all models with version V103 or later). Models with  $V_{i,max} = 144$  V and V104 or later are tested with 2200 VDC ≥1 s.

These tests are performed in the factory as routine test in accordance with EN 50116 and IEC/EN 60950. The electric strength test should not be repeated by the customer. BelPS Company does not honor warranty claims resulting from incorrect executed electric strength tests.

**Railway Application**

The regulators have been developed observing the railway standards EN 50155 and EN 50121. All boards are coated with a protective lacquer.

**Description of Options**

**-7 Temperature Range**

This option defines a restricted temperature range as specified in table 10 (not for new designs).

**E Inrush Current Limitation**

**Note:** This option requires an increased minimum input voltage  $V_{i,max}$  of up to 1 V, dependent upon input range.

In regulators without option E, after application of the input supply the inrush current is limited by parasitic components of the voltage source and the regulator input only. The regulator input exhibits a very low impedance, and when driven from a low impedance source, for example a battery, the inrush current can peak at several orders of magnitude above the continuous input current.

Option E dramatically reduces this peak current and is recommended for any application to protect series elements such as fuses, switches, or circuit breakers. The start-up circuit is bypassed during normal operation.

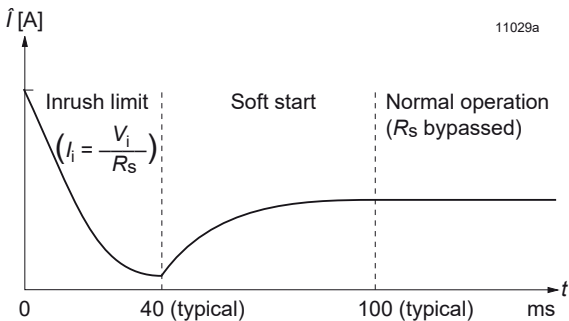


Fig. 18

Option E: Inrush current versus time.  $R_s$  is the startup resistor ( $R_s = 1 \Omega$  for models with  $V_{i,max} \leq 80$  V,  $R_s = 15 \Omega$  for models with  $V_{i,max} > 80$  V)

**C Thyristor Crowbar**

**Note:** The crowbar can be reset by removal of the input voltage only. The inhibit signal cannot deactivate the thyristor.

Option C protects the load against power supply malfunction. It is not designed to sink external currents.

As a central overvoltage protection device, the crowbar is usually connected to the external load via distributed inductance of the lines. For this reason, the overvoltage at the load can temporarily exceed the trigger voltage  $V_{oc}$ . Depending on the application, further decentralized overvoltage protection elements may have to be used additionally.

A fixed-value monitoring circuit checks the output voltage  $V_o$ , and when the trigger voltage  $V_{oc}$  is reached, the thyristor crowbar triggers and disables the output.

An external connection C (crowbar trigger control) is provided. When crowbar option is used with two or more power supplies in parallel connection, all crowbar trigger terminals (C) should be interconnected. This ensures all crowbar circuits triggering simultaneously, in order to disable all outputs at once. The crowbar trigger voltage is maintained between  $V_{o+}$  and  $V_{o-}$ . To prevent false triggering, the user should ensure that  $V_o$  (between  $V_{o+}$  and  $V_{o-}$ ) does not exceed  $V_{oc}$ .

Table 13: Crowbar trigger levels

Characteristics		Conditions	PSK5A20-9ECKG			PSK1212 PSK1216 PSK1220			PSS249 PSK2412 PSK2416 PSK2420			PSK3612 PSK3616 PSK3620			PSK4812			Unit
			min	typ	max	min	typ	max	min	typ	max	min	typ	max	min	typ	max	
$V_{oc}$	Trigger voltage	$T_{C\ min} - T_{C\ max}$	6.3	6.7		17.8	18.9		28.9	30.6		47	50		63	67	V	
$t_s$	Delay time	$V_{i\ min} - V_{i\ max}$ $I_o = 0 - I_{o\ nom}$	1.5			1.5			1.5			1.5			1.5		µs	

### B, B1 Cooling Plate

Where a cooling surface is available, a cooling plate (option B or option B1) can be fitted instead of the standard heatsink. The mounting system must ensure sufficient cooling capacity to guarantee that the maximum case temperature  $T_{C\ max}$  is not exceeded. The required cooling capacity can be calculated by the following formula:

$$P_{Loss} = \frac{100\% - \eta}{\eta} \cdot (V_o \cdot I_o)$$

### G RoHS Compliance

Models with G are RoHS-compliant for all six substances.

### Accessories

A variety of electrical and mechanical accessories are available including:

- Various front panels for 19" DIN-racks with 3U height, 12 or 16 TE, Schroff or Intermas
- DIN-rail mounting assembly HZZ0615-G; see fig. 20
- Various mating connectors H15 and H15S4 including fast-on, screw, solder, or press-fit terminals, code key system and coding wedges HZZ00202-G
- Pair of connector retention clips HZZ01209-G; see fig. 22
- Connector retention brackets HZZ01216-G; see fig. 23
- Different cable connector housings (cable hoods), including a metallic version for fire protection
- Cage clamp adapter HZZ00144-G; see fig. 24
- Wall-mounting plate K02 HZZ01213, only for models with option B1
- Brackets for DIN-rail and wall mounting HZZ00610
- Battery sensors S-KSMH... for using the converter as battery charger. Different cell characteristics can be selected; see *Battery Charging/Temperature Sensor*.



Fig. 19  
Different front panels

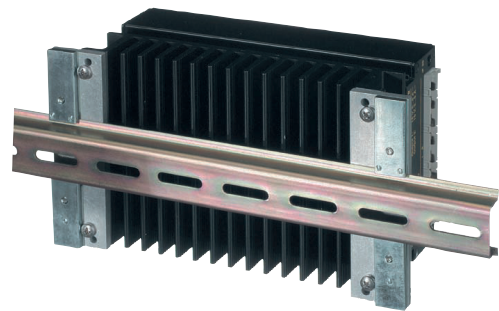
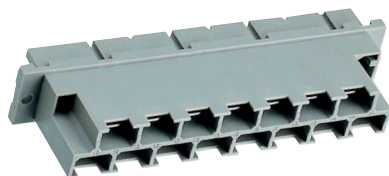
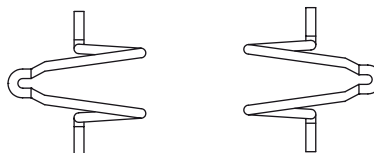


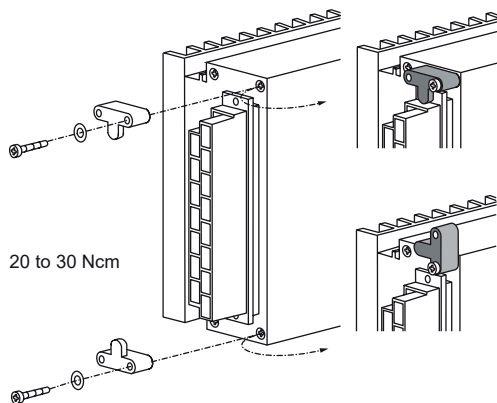
Fig. 20  
DIN-rail mounting assembly HZZ0615-G



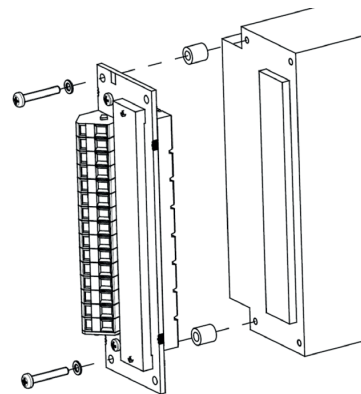
*Fig. 21*  
H15 female connector with code key system



*Fig. 22*  
Connector retention clips HZZ01209-G



*Fig. 23*  
Connector retention brackets HZZ01216-G



*Fig. 24*  
Cage clamp adapter HZZ00144-G

**For additional accessory product information, see the accessory data sheets listed with each product series at our web site.**

**NUCLEAR AND MEDICAL APPLICATIONS** - These products are not designed or intended for use as critical components in life support systems, equipment used in hazardous environments, or nuclear control systems.

**TECHNICAL REVISIONS** - The appearance of products, including safety agency certifications pictured on labels, may change depending on the date manufactured. Specifications are subject to change without notice.



Компания «ЭлектроПласт» предлагает заключение долгосрочных отношений при поставках импортных электронных компонентов на взаимовыгодных условиях!

Наши преимущества:

- Оперативные поставки широкого спектра электронных компонентов отечественного и импортного производства напрямую от производителей и с крупнейших мировых складов;
- Поставка более 17-ти миллионов наименований электронных компонентов;
- Поставка сложных, дефицитных, либо снятых с производства позиций;
- Оперативные сроки поставки под заказ (от 5 рабочих дней);
- Экспресс доставка в любую точку России;
- Техническая поддержка проекта, помощь в подборе аналогов, поставка прототипов;
- Система менеджмента качества сертифицирована по Международному стандарту ISO 9001;
- Лицензия ФСБ на осуществление работ с использованием сведений, составляющих государственную тайну;
- Поставка специализированных компонентов (Xilinx, Altera, Analog Devices, Intersil, Interpoint, Microsemi, Aeroflex, Peregrine, Syfer, Eurofarad, Texas Instrument, Miteq, Cobham, E2V, MA-COM, Hittite, Mini-Circuits, General Dynamics и др.);

Помимо этого, одним из направлений компании «ЭлектроПласт» является направление «Источники питания». Мы предлагаем Вам помощь Конструкторского отдела:

- Подбор оптимального решения, техническое обоснование при выборе компонента;
- Подбор аналогов;
- Консультации по применению компонента;
- Поставка образцов и прототипов;
- Техническая поддержка проекта;
- Защита от снятия компонента с производства.



#### Как с нами связаться

**Телефон:** 8 (812) 309 58 32 (многоканальный)

**Факс:** 8 (812) 320-02-42

**Электронная почта:** [org@eplast1.ru](mailto:org@eplast1.ru)

**Адрес:** 198099, г. Санкт-Петербург, ул. Калинина, дом 2, корпус 4, литера А.