



QPF4518M Wi-Fi Front End Module

Ordering Information

Part Number	Description
QPF4518MSB	Sample bag with 5 pieces
QPF4518MSQ	Sample bag with 25 pieces
QPF4518MSR	7" reel with 100 pieces

Part Number	Description
QPF4518MTR13	13" reel with 2,500 pieces
QPF4518MPCK401	Assembled Evaluation Board + 5 pcs

Absolute Maximum Ratings

Parameter	Conditions	Rating
DC Supply Voltage		-0.5 to +6 V
Control Voltage		-0.5 to +6 V
Storage Temperature		-40 to 150 °C
Junction Temperature	MTTF > 1.5x10 ⁶ hours MTTF > 1.0x10 ⁶ hours	160 °C 170 °C
RF Input Power at TX_IN	Into 50Ω Load for 802.11a/n/ac (No Damage), Transmit Mode	+10 dBm
RF Input Power at ANT	(No Damage), Receive LNA On Mode	+15 dBm
RF Input Power at ANT	(No Damage), Receive Bypass Mode	+28 dBm

Exceeding any one or a combination of the Absolute Maximum Rating conditions may cause permanent damage to the device. Extended application of Absolute Maximum Rating conditions to the device may reduce device reliability. This is an InGaP device designed for high duty cycle applications with T_j>30 °C over ambient.

Recommended Operating Conditions

Parameter	Min.	Typ.	Max.	Units
Operating Frequency	5150		5850	MHz
Extended Operating Frequency	5150		5925	MHz
Device Voltage (V _{CC} & V _{DD})	+4.5	+5	+5.25	V
Control Voltage – High (PA_EN, C0 & C1)	+1.8	+3	V _{CC}	V
Control Voltage – Low (PA_EN, C0 & C1)	0		+0.4	V
T _{OPERATING} *	-40		+85	°C

Electrical specifications are measured at specified test conditions. Specifications are not guaranteed over all recommended operating conditions. * T_{OPERATING} is temperature at package ground.

Electrical Specifications

Parameter	Conditions	Min.	Typ.	Max.	Units
Transmit (TX_IN-ANT) Mode	Unless otherwise noted: V_{CC}=5V, T=+25°C, PA_EN=High, C0=Low, C1=High, Only through path between RX_OUT and LNA_IN				
11ac VHT80 Output Power	MCS11 1024QAM		20		dBm
Dynamic EVM				-40	dB
11ac VHT160 Output Power	MCS9 256QAM		22		dBm
					-35
11ac VHT80 Output Power	MCS9 256QAM	22	23		dBm
Dynamic EVM				-35	dB
11n HT20/40 Output Power	MCS7 64QAM	23.5	24.5		dBm
Dynamic EVM				-30	dB
Margin to VHT80 Spectral Mask	P _{OUT} = +24 dBm, 11ac MCS0		6	3	dBc
Margin to VHT20 Spectral Mask	P _{OUT} = +25 dBm, 11n MCS0		6	3	dBc
Gain		30	32		dB



QPF4518M Wi-Fi Front End Module

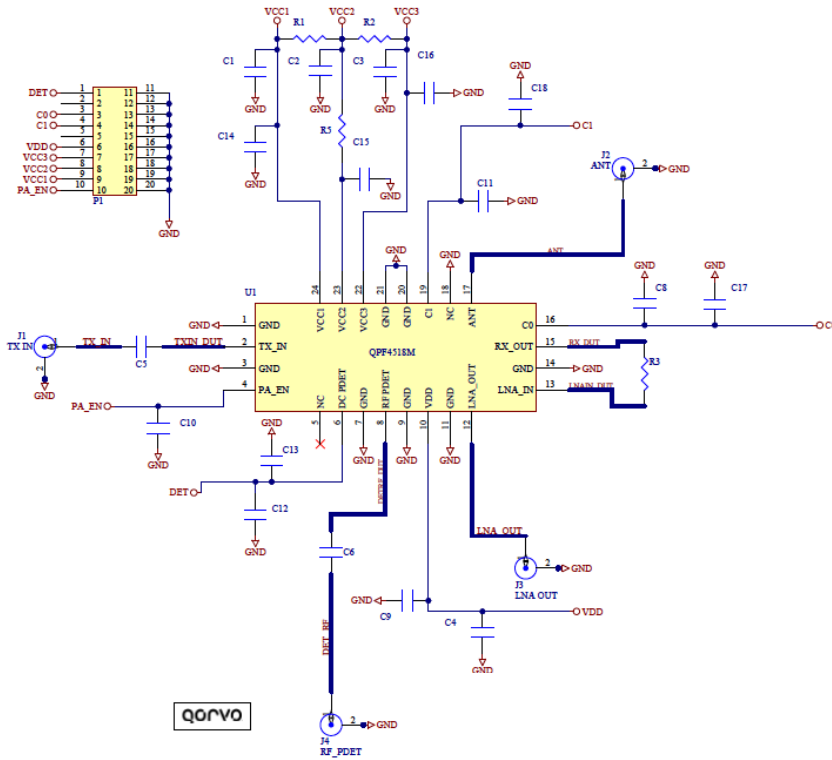
Parameter	Conditions	Min.	Typ.	Max.	Units
Gain Flatness	Across any 80 MHz Channel	-0.5		+0.5	dB
Out of Band Gain	$f = 3300\text{-}3800\text{MHz}$			-5	dB
	$f > 7000\text{MHz}$			7	dB
TX_IN Port Return Loss		6	10		dB
ANT Port Return Loss		7	10		dB
Quiescent Current	RF Off		140	155	mA
Operating Current	$P_{OUT} = +23\text{ dBm}$		280	320	mA
	$P_{OUT} = +24.5\text{ dBm}$		320	365	mA
2 nd Harmonics	$P_{OUT} = +27\text{ dBm}$ 802.11a 6 Mbps		-50	-45	dBm/MHz
3 rd Harmonics	$P_{OUT} = +27\text{ dBm}$ 802.11a 6 Mbps		-50	-45	dBm/MHz
ANT-LNA_OUT Isolation		35	40		dB
RF Power Detect Coupling		16	18		dB
DC Power Detect Voltage	RF Off		0.25		V
	$P_{OUT} = +20\text{ dBm}$		0.55		V
	$P_{OUT} = +23\text{ dBm}$		0.70		V
	$P_{OUT} = +27\text{ dBm}$		0.95		V
RECEIVE (ANT-LNA_OUT) LNA ON MODE	Unless otherwise noted: $V_{CC}=5V$, $T=+25^{\circ}C$, $PA_EN=Low$, $C0=High$, $C1=Low$, Only through path between RX_OUT and LNA_IN				
Gain		14	16		dB
Gain Flatness Across any 80 MHz Channel		-0.1		+0.1	dB
Out of Band Gain	$f = 2400\text{-}2500\text{ MHz}$		-25	-20	dB
Noise Figure			2	2.4	dB
LNA_OUT Port Return Loss		10	15		dB
ANT Port Return Loss		7	12		dB
Input P_{1dB}			-7		dBm
Input IP3		+3	+6		dBm
Rx Operating Current			15	25	mA
RECEIVE (ANT-LNA_OUT) BYPASS MODE	Unless otherwise noted: $V_{CC}=5V$, $T=+25^{\circ}C$, $PA_EN=Low$, $C0=High$, $C1=High$, Only through path between RX_OUT and LNA_IN				
Bypass Loss		5	6.5	8	dB
Loss Flatness Across any 80 MHz Channel		-0.1		+0.1	dB
Out of Band Gain	$f = 2400\text{-}2500\text{ MHz}$		-25	-20	dB
LNA_OUT Port Return Loss		10	14		dB
ANT Port Return Loss		7	10		dB
Input P_{1dB}		+25	+28		dBm
Input IP3		+33	+40		dBm
GENERAL SPECIFICATIONS	Unless otherwise noted: $V_{CC}=5V$, $T=+25^{\circ}C$, Only through path between RX_OUT and LNA_IN				
FEM Leakage Current			10	25	μA
Control Current - High			20	40	μA
Control Current - Low				1	μA
TX Output P_{1dB}	CW		+32		dBm
Ramp ON/OFF Time	10 \leftrightarrow 90% Ref from Control Voltage to RF Power		200		nS

Parameter	Conditions	Min.	Typ.	Max.	Units
PA Stability - Output VSWR	CW No Spurious above -41.25dBm/MHz		10:1		
Output Power Range		0		27	dBm
Thermal Resistance, θ_{jc}	Junction to case		25		$^{\circ}\text{C/W}$

Logic Truth Table

Mode	PA_EN	C0	C1
Standby	Low	Low	Low
Transmit	High	Low	High
LNA On	Low	High	Low
Bypass	Low	High	High

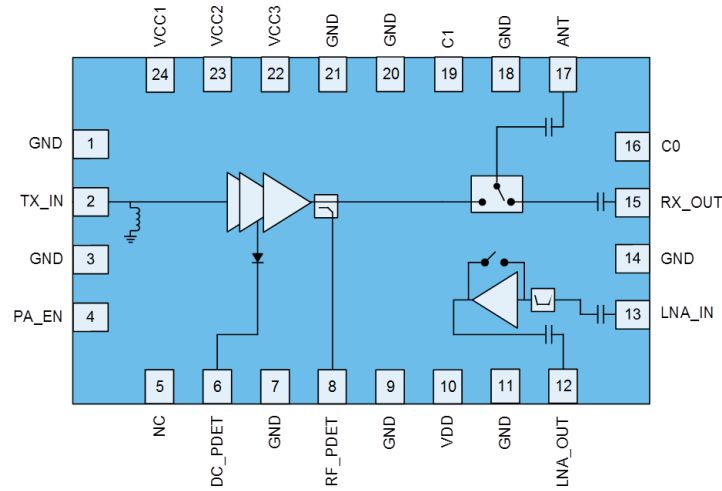
Evaluation Board Schematic and Layout



Bill of Material

Ref. Des.	Value	Description	Manuf.	Part number
-	-	Printed Circuit Board		
U1	-	5GHz Wi-Fi Front End Module	Qorvo	QPF4518M
C5, C6, C13	10 pF	Capacitor, Chip, 5%, 50V, C0G, 0402	Murata	GRM1555C1H100JA01D
C8,C9, C10, C11	1000 pF	Capacitor, Chip, 10%, 50V, X7R, 0402	Murata	GRM155R71H102KA01D
C14, C15, C16	2.2 μF	Capacitor, Chip, 10%, 6.3V, X5R, 0402	Taiyo Yuden	RM JMK105BJ225KV-F
R3, R5	0 Ω	Resistor, Chip, 5%, 1/10W, 0402	Kamaya	RMC1/16SJPTH
C1, C2, C3, C4, C12, C17, C18, R1, R2	-	Do Not Install		

Pin Configuration and Description

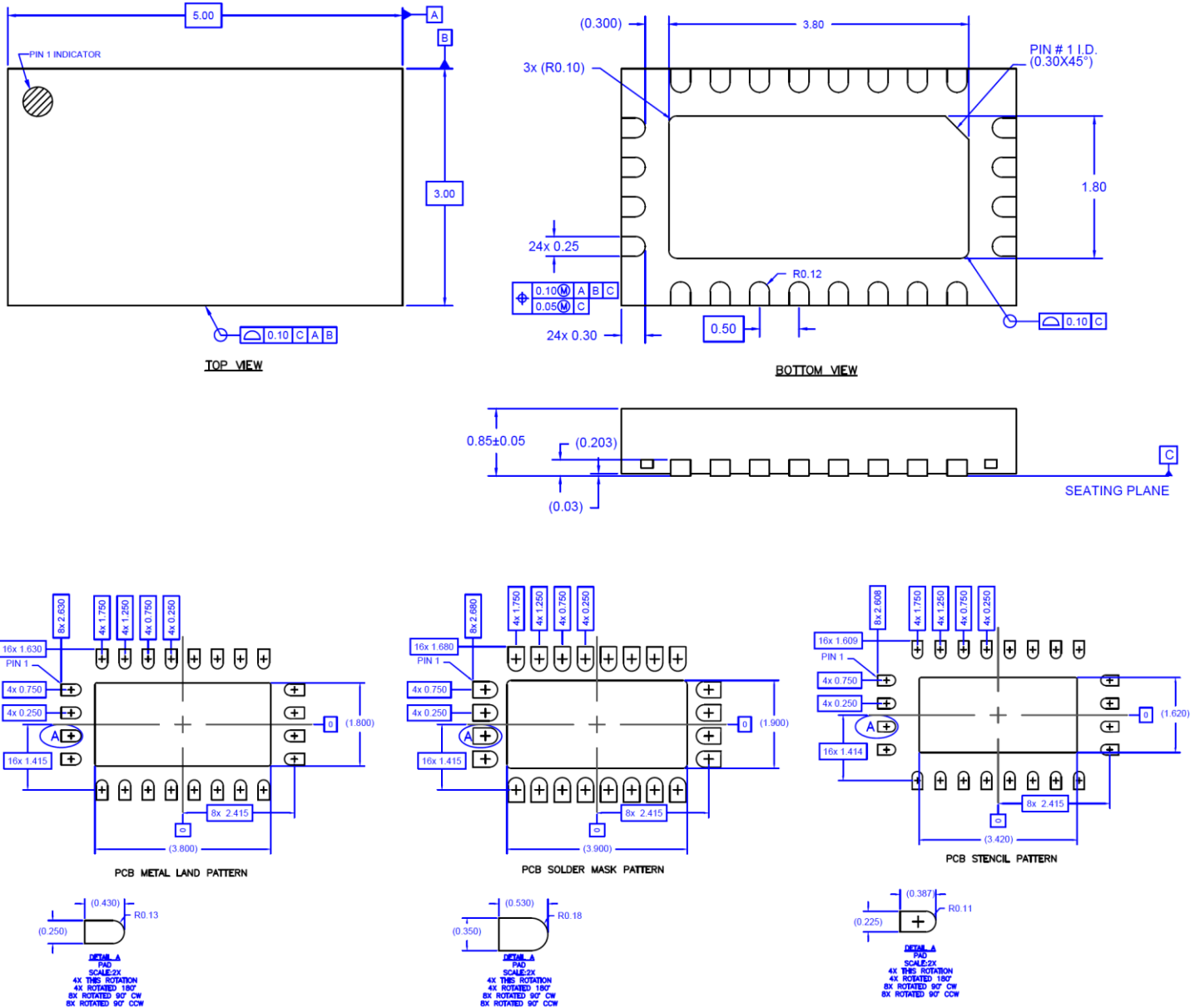


Top View

Pin Number	Label	Description
1	GND	Ground connection.
2	TX_IN	RF input. Internally matched to 50 Ω and DC Shorted.
3	GND	Ground connection.
4	PA_EN	Input enable bias voltage (Regulated internally)
5	NC	No electrical connection. It may be left floating or connected to ground.
6	DC_PDET	DC power detector. Provides an output voltage proportional to the RF output power level
7	GND	Ground connection.
8	RF_PDET	RF power detector. Provides an RF output proportional to the RF output power level
9	GND	Ground connection.
10	VDD	LNA supply voltage
11	GND	Ground connection.
12	LNA_OUT	RF output from the low noise amplifier. Internally matched to 50 Ω and DC blocked.
13	LNA_IN	RF input to the low noise amplifier. Internally matched to 50 Ω and DC blocked.
14	GND	Ground connection.
15	RX_OUT	RF output from the RX branch of the T/R switch. Internally matched to 50 Ω and DC blocked.
16	C0	Switch control pin 0
17	ANT	RF bi-directional antenna port. Internally matched to 50 Ω and DC blocked.
18	GND	Ground connection.
19	C1	Switch control pin 1
20	GND	Ground connection.
21	GND	Ground connection.
22	VCC3	3 rd stage supply voltage
23	VCC2	2 nd stage supply voltage
24	VCC1	1 st stage supply voltage
Backside Paddle	GND	RF/DC ground. Use recommended via pattern to minimize inductance and thermal resistance. See PCB Mounting Pattern for suggested footprint.

Mechanical Information

Dimensions and PCB Mounting Pattern



Thermal vias for center slug should be incorporated into the PCB design. The number and size of thermal vias will depend on the application, the power dissipation, and the electrical requirements. Example of the number and size of vias can be found on the evaluation board layout.

Notes:

1. All dimensions are in millimeters. Angles are in degrees.
2. Dimension and tolerance formats conform to ASME Y14.4M-1994.
3. The terminal #1 identifier and terminal numbering conform to JESD 95-1 SPP-012.

Handling Precautions

Parameter	Rating	Standard
ESD – Human Body Model (HBM)	Class 1B	JEDEC JS-002-214
ESD – Charged Device Model (CDM)	Class III	JEDEC JS-002
MSL – Moisture Sensitivity Level	Level 2	JEDEC J-STD-020



Caution!

ESD sensitive device

Solderability

Compatible with both lead-free (260 °C max. reflow temperature) and tin/lead (245 °C max. reflow temperature) soldering processes.

Package lead plating: Electrolytic plated Au over Ni

RoHS Compliance

This part is compliant with the 2011/65/EU RoHS directive (Restrictions on the Use of Certain Hazardous Substances in Electrical and Electronic Equipment), as amended by Directive 2015/863/EU.

This product also has the following attributes:

- Lead free
- Halogen Free (Chlorine, Bromine)
- Antimony Free
- TBBP-A (C₁₅H₁₂Br₄O₂) Free
- SVHC Free



Contact Information

For the latest specifications, additional product information, worldwide sales and distribution locations:

Web: www.qorvo.com

Tel: 1-844-890-8163

Email: customer.support@qorvo.com

Important Notice

The information contained herein is believed to be reliable; however, Qorvo makes no warranties regarding the information contained herein and assumes no responsibility or liability whatsoever for the use of the information contained herein. All information contained herein is subject to change without notice. Customers should obtain and verify the latest relevant information before placing orders for Qorvo products. The information contained herein or any use of such information does not grant, explicitly or implicitly, to any party any patent rights, licenses, or any other intellectual property rights, whether with regard to such information itself or anything described by such information. **THIS INFORMATION DOES NOT CONSTITUTE A WARRANTY WITH RESPECT TO THE PRODUCTS DESCRIBED HEREIN, AND QORVO HEREBY DISCLAIMS ANY AND ALL WARRANTIES WITH RESPECT TO SUCH PRODUCTS WHETHER EXPRESS OR IMPLIED BY LAW, COURSE OF DEALING, COURSE OF PERFORMANCE, USAGE OF TRADE OR OTHERWISE, INCLUDING THE IMPLIED WARRANTIES OF MERCHANTABILITY AND FITNESS FOR A PARTICULAR PURPOSE.**

Without limiting the generality of the foregoing, Qorvo products are not warranted or authorized for use as critical components in medical, life-saving, or life-sustaining applications, or other applications where a failure would reasonably be expected to cause severe personal injury or death.

Copyright 2016 © Qorvo, Inc. | Qorvo is a registered trademark of Qorvo, Inc.



Компания «ЭлектроПласт» предлагает заключение долгосрочных отношений при поставках импортных электронных компонентов на взаимовыгодных условиях!

Наши преимущества:

- Оперативные поставки широкого спектра электронных компонентов отечественного и импортного производства напрямую от производителей и с крупнейших мировых складов;
- Поставка более 17-ти миллионов наименований электронных компонентов;
- Поставка сложных, дефицитных, либо снятых с производства позиций;
- Оперативные сроки поставки под заказ (от 5 рабочих дней);
- Экспресс доставка в любую точку России;
- Техническая поддержка проекта, помощь в подборе аналогов, поставка прототипов;
- Система менеджмента качества сертифицирована по Международному стандарту ISO 9001;
- Лицензия ФСБ на осуществление работ с использованием сведений, составляющих государственную тайну;
- Поставка специализированных компонентов (Xilinx, Altera, Analog Devices, Intersil, Interpoint, Microsemi, Aeroflex, Peregrine, Syfer, Eurofarad, Texas Instrument, Miteq, Cobham, E2V, MA-COM, Hittite, Mini-Circuits, General Dynamics и др.);

Помимо этого, одним из направлений компании «ЭлектроПласт» является направление «Источники питания». Мы предлагаем Вам помощь Конструкторского отдела:

- Подбор оптимального решения, техническое обоснование при выборе компонента;
- Подбор аналогов;
- Консультации по применению компонента;
- Поставка образцов и прототипов;
- Техническая поддержка проекта;
- Защита от снятия компонента с производства.



Как с нами связаться

Телефон: 8 (812) 309 58 32 (многоканальный)

Факс: 8 (812) 320-02-42

Электронная почта: org@eplast1.ru

Адрес: 198099, г. Санкт-Петербург, ул. Калинина, дом 2, корпус 4, литера А.