

Features

- ◆ Smallest encapsulated 30 W converter
- ◆ 2" x 1" x 0.4" shielded metal package with isolated baseplate
- ◆ Single- and dual output models
- ◆ I/O isolation voltage 1500 VDC
- ◆ Excellent efficiency up to 91 %
- ◆ Operating temp. range -40°C to +85°C
- ◆ Remote On/Off
- ◆ Over-temperature protection
- ◆ 3-year product warranty



The TEN-30 series is the latest generation of high performance dc-dc converter modules setting a new standard concerning power density. This product with 30W comes in an encapsulated, shielded metal package with a footprint of only 1.0" x 2.0". All models have wide 2:1 input voltage range and precisely regulated, isolated output voltages. Advanced circuit topology provides high efficiency up to 91% which allows an industrial operating temperature range of -40°C to +85°C (with derating).

Further features include remote On/Off, trimmable output, under-voltage lockout and overtemperature protection. Typical applications for these converters are mobile equipment, instrumentation, distributed power architectures in communication and industrial electronics and everywhere where space on the PCB is critical.

Models

Ordercode	Input voltage	Output voltage	Output current max.	Efficiency typ.
TEN 30-1207	9 – 18 VDC (nominal 12 VDC)	1.5 VDC	8'500 mA	79 %
TEN 30-1209		2.5 VDC	8'000 mA	84 %
TEN 30-1210		3.3 VDC	8'000 mA	85 %
TEN 30-1211		5.1 VDC	6'000 mA	87 %
TEN 30-1212		12 VDC	2'500 mA	89 %
TEN 30-1213		15 VDC	2'000 mA	89 %
TEN 30-1221		±5 VDC	±3'000 mA	87 %
TEN 30-1222		±12 VDC	±1'250 mA	87 %
TEN 30-1223		±15 VDC	±1'000 mA	87 %
TEN 30-2407		18 – 36 VDC (nominal 24 VDC)	1.5 VDC	8'500 mA
TEN 30-2409	2.5 VDC		8'000 mA	85 %
TEN 30-2410	3.3 VDC		8'000 mA	87 %
TEN 30-2411	5.1 VDC		6'000 mA	90 %
TEN 30-2412	12 VDC		2'500 mA	91 %
TEN 30-2413	15 VDC		2'000 mA	91 %
TEN 30-2421	±5 VDC		±3'000 mA	90 %
TEN 30-2422	±12 VDC		±1'250 mA	89 %
TEN 30-2423	±15 VDC		±1'000 mA	90 %
TEN 30-4807	36 – 75 VDC (nominal 48 VDC)		1.5 VDC	8'500 mA
TEN 30-4809		2.5 VDC	8'000 mA	85 %
TEN 30-4810		3.3 VDC	7'500 mA	87 %
TEN 30-4811		5.1 VDC	6'000 mA	89 %
TEN 30-4812		12 VDC	2'500 mA	91 %
TEN 30-4813		15 VDC	2'000 mA	91 %
TEN 30-4821		±5 VDC	±3'000 mA	90 %
TEN 30-4822		±12 VDC	±1'250 mA	88 %
TEN 30-4823		±15 VDC	±1'000 mA	89 %

Input Specifications

Input current at no load	12 V; ± 12 / ± 15 Vout models:	50 mA max.
	12 V; other models:	100 mA max.
	24 V; 12 / 15 Vout models:	30 mA max.
	24 V; ± 12 / ± 15 Vout models:	30 mA max.
	24 V; other models:	70 mA max.
Input current at full load	48 V; ± 12 / ± 15 Vout models:	30 mA max.
	48 V; other models:	45 mA max.
	12 V; 1.5 Vout models:	1400 mA typ.
	12 V; 2.5 Vout models:	2100 mA typ.
	12 V; 3.3 Vout models:	2700 mA typ.
Start-up voltage / under voltage shut down	12 V; other output models:	3000 mA typ.
	24 V; 1.5 Vout models:	700 mA typ.
	24 V; 2.5 Vout models:	1000 mA typ.
	24 V; 3.3 Vout models:	1300 mA typ.
	24 V; other output models:	1500 mA typ.
	48 V; 1.5 Vout models:	350 mA typ.
	48 V; 2.5 Vout models:	500 mA typ.
	48 V; 3.3 Vout models:	650 mA typ.
	48 V; other output models:	750 mA typ.
	Surge voltage (100 msec. max.)	12 V models:
24 V models:		18 VDC / 16 VDC typ.
48 V models:		36 VDC / 32 VDC typ.
Conducted noise (input)	12 V models:	25 V max.
	24 V models:	50 V max..
	48 V models:	100 V max.
Conducted noise (input)	EN 55022 class A with input capacitor	
	12 V models:	10 μ F / 25 V 1812 MLCC
	24 V models:	4.7 μ F / 50 V 1812 MLCC
	48 V models:	2.2 μ F / 100 V 1812 MLCC

Output Specifications

Voltage set accuracy		± 1 %
Output voltage adj. range		± 10 % (only for single output models)
Regulation	- Input variation Vin min. to Vin max.	0.2 % max.
	- Load variation 0 – 100 %	0.5 % max.
	- single output models	1.0 % max.
	- dual output models balanced load	5.0 % max.
Minimum load	- dual output models unbalanced load (25% /100%)	5.0 % max.
		not required
Temperature coefficient		± 0.02 %/K
Ripple and noise (20 MHz Bandwidth)		100 mVpk-pk max. (150 mVpk-pk for 12/ ± 12 /15/ ± 15 V models)
Start up time (nominal Vin and constant resistive load)		30 ms typ.
Transient response time (25% load change)		250 μ s typ.
Short circuit protection		indefinite, automatic recovery
Over load protection		150 % of Iout max. typ.
Thermal shutdown		at +115°C typ.
Over voltage protection	1.5 VDC models:	2.0 V
	2.5 VDC models:	3.3 V
	3.3 VDC models:	3.9 V
	5.1 VDC models:	6.2 V
	12 VDC models:	15 V
	15 VDC models:	18 V

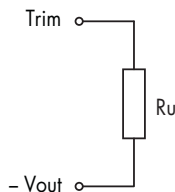
All specifications valid at nominal input voltage, full load and +25°C after warm-up time unless otherwise stated.

General Specifications

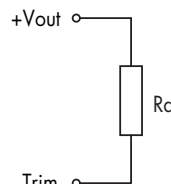
Capacitive load (max.)	1.5 / 2.5 / 3.3 Vout models: 20'000 µF 5.1 Vout models: 14'400 µF 12 Vout models: 3'000 µF 15 Vout models: 2'000 µF ±5 Vout models: ±3'000 µF ±12 Vout models: ±2'000 µF ±15 Vout models: ±1'300 µF
Temperature ranges	- Operating: - 40°C to +85°C - Case temperature: +100°C max. - Storage: - 55°C to +125°C
Load derating	3.3 %/K above +60°C
Humidity (non condensing)	5 % to 95 % rel H max.
Thermal impedance	- Natural convection: 12 °C/W - Natural convection with heat sink: 10 °C/W
Reliability, calculated MTBF (MIL-HDBK-217F, at +25°C, ground benign)	1.4 Mio. h
Isolation voltage (60 sec.)	- Input/Output: 1'500 VDC
Isolation capacitance	- Input/Output: 1500 pF max.
Isolation resistance	- Input/Output (500 VDC): >1'000 MOhm
Remote On/Off:	- On: 3 to 12 VDC or open circuit. - Off: 0 to 1.2 VDC or short circuit pin 3 and pin 2 - Standby current: 3 mA max.
Switching frequency (fixed)	430 kHz typ. (puls width modulation)
Vibration and thermal shock	MIL-STD-810F
Safety standards	cUL/UL 60950-1, IEC/EN 60950-1
Safety approvals	- UL/cUL - CB test report www.ul.com -> certifications -> File e188913 available for notified bodies on request

Output Voltage Adjustment

Trim up



Trim down



Nominal output voltage at open Trim input!

Ru [kohm]

output	1.5	2.5	3.3V	5.1V	12V	15V
+5%	0.56	4.3	6.8	5.1	43	47
+10%	0.051	0.33	0.75	0.75	4.3	1.8

Rd [kohm]

output	1.5	2.5	3.3V	5.1V	12V	15V
-5%	0.68	6.2	8.2	6.2	56	56
-10%	0.062	0.75	0.62	0.82	5.6	2.2

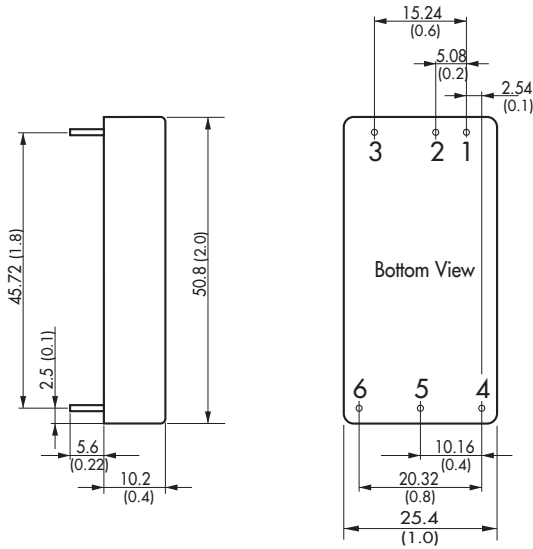
Physical Specifications

Casing material	copper, nickel plated
Baseplate	non conductive FR4
Potting material	epoxy (UL 94V-0 -rated)
Weight	31 g (1.1 oz)
Soldering temperature	max. 265°C / 10 sec.
Environmental compliance	- Reach - RoHS www.tracopower.com/products/reach-declaration.pdf RoHS directive 2011/65/EU

Application note: www.tracopower.com/products/ten30-application.pdf

All specifications valid at nominal input voltage, full load and +25°C after warm-up time unless otherwise stated.

Outline Dimensions



Pin-Out		
Pin	Single	Dual
1	+Vin (Vcc)	+Vin (Vcc)
2	-Vin (GND)	-Vin (GND)
3	Remote On/Off	
4	+ Vout	+ Vout
5	-Vout	Common
6	Trim	-Vout

Dimensions in [mm], () = Inch
 Pin diameter: 1.0 ±0.1 (0.04 ±0.004)
 Pin pitch tolerances: ±0.25 (±0.01)
 Case tolerances: ±0.5 (±0.02)

Heat-Sink (Option)

Order code: TEN-HS1
 (cont.: heat-sink, thermal pad, 2 clamps)

Material: Aluminum

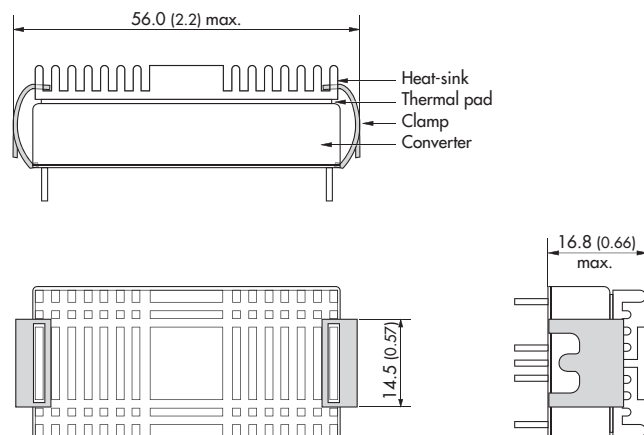
Finish: Anodic treatment (black)

Weight: 17g (0.60oz) without converter

Thermal impedance after assembling: 10 K/W



Note:
 The product label on converter has to be removed before mounting the heat-sink.
 For volume orders converters will be supplied with heat-sinks already mounted. Please contact factory for quotation.
 Separate heat-sinks are only available for prototypes and small quantity orders.



Specifications can be changed without notice! Make sure you are using the latest documentation, downloadable at www.tracopower.com



Компания «ЭлектроПласт» предлагает заключение долгосрочных отношений при поставках импортных электронных компонентов на взаимовыгодных условиях!

Наши преимущества:

- Оперативные поставки широкого спектра электронных компонентов отечественного и импортного производства напрямую от производителей и с крупнейших мировых складов;
- Поставка более 17-ти миллионов наименований электронных компонентов;
- Поставка сложных, дефицитных, либо снятых с производства позиций;
- Оперативные сроки поставки под заказ (от 5 рабочих дней);
- Экспресс доставка в любую точку России;
- Техническая поддержка проекта, помощь в подборе аналогов, поставка прототипов;
- Система менеджмента качества сертифицирована по Международному стандарту ISO 9001;
- Лицензия ФСБ на осуществление работ с использованием сведений, составляющих государственную тайну;
- Поставка специализированных компонентов (Xilinx, Altera, Analog Devices, Intersil, Interpoint, Microsemi, Aeroflex, Peregrine, Syfer, Eurofarad, Texas Instrument, Miteq, Cobham, E2V, MA-COM, Hittite, Mini-Circuits, General Dynamics и др.);

Помимо этого, одним из направлений компании «ЭлектроПласт» является направление «Источники питания». Мы предлагаем Вам помощь Конструкторского отдела:

- Подбор оптимального решения, техническое обоснование при выборе компонента;
- Подбор аналогов;
- Консультации по применению компонента;
- Поставка образцов и прототипов;
- Техническая поддержка проекта;
- Защита от снятия компонента с производства.



Как с нами связаться

Телефон: 8 (812) 309 58 32 (многоканальный)

Факс: 8 (812) 320-02-42

Электронная почта: org@eplast1.ru

Адрес: 198099, г. Санкт-Петербург, ул. Калинина, дом 2, корпус 4, литера А.