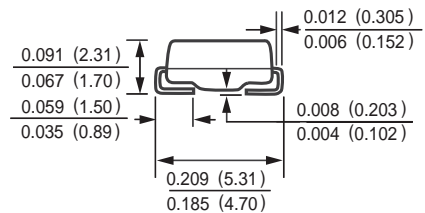
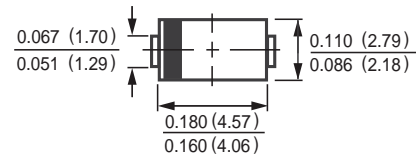


**SURFACE MOUNT GPP  
GPP TRANSIENT VOLTAGE SUPPRESSOR  
400 WATT PEAK POWER 1.0 WATT STEADY STATE**

**FEATURES**

- \* Plastic package has underwriters laboratory
- \* Glass passivated chip construction
- \* 400 watt surge capability at 1ms
- \* Excellent clamping capability
- \* Low zener impedance
- \* Fast response time
- \* P/N suffix V means AEC-Q101 qualified, e.g:SMAJ5.0V
- \* P/N suffix V means Halogen-free

**DO-214AC**



Dimensions in inches and (millimeters)

**MAXIMUM RATINGS AND ELECTRICAL CHARACTERISTICS**

Ratings at 25 °C ambient temperature unless otherwise specified.

**DEVICES FOR BIPOLAR APPLICATIONS**

For Bidirectional use C or CA suffix for types SMAJ5.0 thru SMAJ440

Electrical characteristics apply in both direction

**MAXIMUM RATINGS** (At  $T_A = 25^\circ\text{C}$  unless otherwise noted)

| RATINGS  | SYMBOL         | VALUE        | UNITS                  |
|--|----------------|--------------|------------------------|
| Peak Power Dissipation with a 10/1000uS (Note 1,2,5 Fig.1)     | PPPM           | Minimum 400  | Watts                  |
| Peak Pulse Current with a 10/1000uS waveform ( Note 1, Fig.2 ) | IPPM           | SEE TABLE 1  | Amps                   |
| Steady State Power Dissipation (Note 3)                        | $P_{M(AV)}$    | 1.0          | Watts                  |
| Peak Forward Surge Current per Fig.5 (Note 4)                  | $I_{FSM}$      | 40           | Amps                   |
| Typical Current Squared Time                                   | $i^2t$         | 6.64         | $\text{A}^2\text{Sec}$ |
| Maximum Instantaneous Forward Voltage at 25A (Note 5)          | $V_F$          | 3.5          | Volts                  |
| Operating and Storage Temperature Range                        | $T_J, T_{STG}$ | -55 to + 150 | $^\circ\text{C}$       |

- NOTES : 1. Non-repetitive current pulse, per Fig.3 and derated above  $T_A = 25^\circ\text{C}$  per Fig.2.  
 2. Mounted on 0.2 X 0.2" ( 5.0 X 5.0mm ) copper pad to each terminal.  
 3. Lead temperature at  $T_L = 25^\circ\text{C}$   
 4. Measured on 8.3mS single half sine-wave duty cycle = 4 pulses per minute maximum.  
 5. Peak pulse power waveform is 10/1000uS.

## RATING AND CHARACTERISTIC CURVES ( SMAJ5.0 THRU SMAJ440CA)

FIG. 1 - PEAK PULSE POWER RATING CURVE



FIG. 2 - PULSE DERATING CURVE



FIG. 3 - PULSE WAVEFORM



FIG. 4 - TYPICAL JUNCTION CAPACITANCE



FIG. 6 - MAXIMUM NON-REPETITIVE FORWARD SURGE CURRENT UNIDIRECTIONAL



## TRANSIENT VOLTAGE SUPPRESSORS

400W SERIES TVS DIODES/DO-214AC ( CASE 2 ) 400W

| Rectron Industry No. | Rectron House No. | Breakdown Voltage |      |          | Reverse Stand off Voltage VWM (Volts) | Maximum Reverse Leakage at VWM ID(μA) | Maximum Peak Pulse Current IPPM (Amps) | Maximum Clamping Voltage at IPPM VC (Volts) |
|----------------------|-------------------|-------------------|------|----------|---------------------------------------|---------------------------------------|--|---|
|                      |                   | VBR (Volts)       |      | @IT (mA) |                                       |                                       |  |   |
|                      |                   | MIN.              | MAX. |          |                                       |                                       |  |   |
| SMAJ5.0              | TFMAJ5.0          | 6.40              | 7.82 | 10       | 5.0                                   | 800.0                                 | 41.7                                   | 9.6   |
| SMAJ5.0A             | TFMAJ5.0A         | 6.40              | 7.07 | 10       | 5.0                                   | 800.0                                 | 43.5                                   | 9.2   |
| SMAJ6.0              | TFMAJ6.0          | 6.67              | 8.15 | 10       | 6.0                                   | 800.0                                 | 35.1                                   | 11.4  |
| SMAJ6.0A             | TFMAJ6.0A         | 6.67              | 7.37 | 10       | 6.0                                   | 800.0                                 | 38.8                                   | 10.3  |
| SMAJ6.5              | TFMAJ6.5          | 7.22              | 8.82 | 10       | 6.5                                   | 500.0                                 | 32.5                                   | 12.3  |
| SMAJ6.5A             | TFMAJ6.5A         | 7.22              | 7.98 | 10       | 6.5                                   | 500.0                                 | 35.7                                   | 11.2  |
| SMAJ7.0              | TFMAJ7.0          | 7.78              | 9.51 | 10       | 7.0                                   | 200.0                                 | 30.1                                   | 13.3  |
| SMAJ7.0A             | TFMAJ7.0A         | 7.78              | 8.60 | 10       | 7.0                                   | 200.0                                 | 33.3                                   | 12.0  |
| SMAJ7.5              | TFMAJ7.5          | 8.33              | 10.2 | 1.0      | 7.5                                   | 100.0                                 | 28.0                                   | 14.3  |
| SMAJ7.5A             | TFMAJ7.5A         | 8.33              | 9.21 | 1.0      | 7.5                                   | 100.0                                 | 31.0                                   | 12.9  |
| SMAJ8.0              | TFMAJ8.0          | 8.89              | 10.9 | 1.0      | 8.0                                   | 50.0                                  | 26.7                                   | 15.0  |
| SMAJ8.0A             | TFMAJ8.0A         | 8.89              | 9.83 | 1.0      | 8.0                                   | 50.0                                  | 29.4                                   | 13.6  |
| SMAJ8.5              | TFMAJ8.5          | 9.44              | 11.5 | 1.0      | 8.5                                   | 10.0                                  | 25.2                                   | 15.9  |
| SMAJ8.5A             | TFMAJ8.5A         | 9.44              | 10.4 | 1.0      | 8.5                                   | 10.0                                  | 27.8                                   | 14.4  |
| SMAJ9.0              | TFMAJ9.0          | 10.0              | 12.2 | 1.0      | 9.0                                   | 5.0                                   | 23.7                                   | 16.9  |
| SMAJ9.0A             | TFMAJ9.0A         | 10.0              | 11.1 | 1.0      | 9.0                                   | 5.0                                   | 26.0                                   | 15.4  |
| SMAJ10               | TFMAJ10           | 11.1              | 13.6 | 1.0      | 10.0                                  | 5.0                                   | 21.3                                   | 18.8  |
| SMAJ10A              | TFMAJ10A          | 11.1              | 12.3 | 1.0      | 10.0                                  | 5.0                                   | 23.5                                   | 17.0  |
| SMAJ11               | TFMAJ11           | 12.2              | 14.9 | 1.0      | 11.0                                  | 1.0                                   | 19.9                                   | 20.1  |
| SMAJ11A              | TFMAJ11A          | 12.2              | 13.5 | 1.0      | 11.0                                  | 1.0                                   | 22.0                                   | 18.2  |
| SMAJ12               | TFMAJ12           | 13.3              | 16.3 | 1.0      | 12.0                                  | 1.0                                   | 18.2                                   | 22.0  |
| SMAJ12A              | TFMAJ12A          | 13.3              | 14.7 | 1.0      | 12.0                                  | 1.0                                   | 20.1                                   | 19.9  |
| SMAJ13               | TFMAJ13           | 14.4              | 17.6 | 1.0      | 13.0                                  | 1.0                                   | 16.8                                   | 23.8  |
| SMAJ13A              | TFMAJ13A          | 14.4              | 15.9 | 1.0      | 13.0                                  | 1.0                                   | 18.6                                   | 21.5  |
| SMAJ14               | TFMAJ14           | 15.6              | 19.1 | 1.0      | 14.0                                  | 1.0                                   | 15.5                                   | 25.8  |
| SMAJ14A              | TFMAJ14A          | 15.6              | 17.2 | 1.0      | 14.0                                  | 1.0                                   | 17.2                                   | 23.2  |
| SMAJ15               | TFMAJ15           | 16.7              | 20.4 | 1.0      | 15.0                                  | 1.0                                   | 14.9                                   | 26.9  |
| SMAJ15A              | TFMAJ15A          | 16.7              | 18.5 | 1.0      | 15.0                                  | 1.0                                   | 16.4                                   | 24.4  |
| SMAJ16               | TFMAJ16           | 17.8              | 21.8 | 1.0      | 16.0                                  | 1.0                                   | 13.9                                   | 28.8  |
| SMAJ16A              | TFMAJ16A          | 17.8              | 19.7 | 1.0      | 16.0                                  | 1.0                                   | 15.4                                   | 26.0  |
| SMAJ17               | TFMAJ17           | 18.9              | 23.1 | 1.0      | 17.0                                  | 1.0                                   | 13.1                                   | 30.5  |
| SMAJ17A              | TFMAJ17A          | 18.9              | 20.9 | 1.0      | 17.0                                  | 1.0                                   | 14.5                                   | 27.6  |
| SMAJ18               | TFMAJ18           | 20.0              | 24.4 | 1.0      | 18.0                                  | 1.0                                   | 12.4                                   | 32.2  |
| SMAJ18A              | TFMAJ18A          | 20.0              | 22.1 | 1.0      | 18.0                                  | 1.0                                   | 13.7                                   | 29.2  |
| SMAJ20               | TFMAJ20           | 22.2              | 27.1 | 1.0      | 20.0                                  | 1.0                                   | 11.2                                   | 35.8  |
| SMAJ20A              | TFMAJ20A          | 22.2              | 24.5 | 1.0      | 20.0                                  | 1.0                                   | 12.3                                   | 32.4  |
| SMAJ22               | TFMAJ22           | 24.4              | 29.8 | 1.0      | 22.0                                  | 1.0                                   | 10.2                                   | 39.4  |
| SMAJ22A              | TFMAJ22A          | 24.4              | 26.9 | 1.0      | 22.0                                  | 1.0                                   | 11.3                                   | 35.5  |
| SMAJ24               | TFMAJ24           | 26.7              | 32.6 | 1.0      | 24.0                                  | 1.0                                   | 9.3                                    | 43.0  |
| SMAJ24A              | TFMAJ24A          | 26.7              | 29.5 | 1.0      | 24.0                                  | 1.0                                   | 10.3                                   | 38.9  |
| SMAJ26               | TFMAJ26           | 28.9              | 35.3 | 1.0      | 26.0                                  | 1.0                                   | 8.6                                    | 46.6  |
| SMAJ26A              | TFMAJ26A          | 28.9              | 31.9 | 1.0      | 26.0                                  | 1.0                                   | 9.5                                    | 42.1  |
| SMAJ28               | TFMAJ28           | 31.1              | 38.0 | 1.0      | 28.0                                  | 1.0                                   | 8.0                                    | 50.0  |
| SMAJ28A              | TFMAJ28A          | 31.1              | 34.4 | 1.0      | 28.0                                  | 1.0                                   | 8.8                                    | 45.4  |
| SMAJ30               | TFMAJ30           | 33.3              | 40.7 | 1.0      | 30.0                                  | 1.0                                   | 7.5                                    | 53.5  |
| SMAJ30A              | TFMAJ30A          | 33.3              | 36.8 | 1.0      | 30.0                                  | 1.0                                   | 8.3                                    | 48.4  |
| SMAJ33               | TFMAJ33           | 36.7              | 44.9 | 1.0      | 33.0                                  | 1.0                                   | 6.8                                    | 59.0  |
| SMAJ33A              | TFMAJ33A          | 36.7              | 40.6 | 1.0      | 33.0                                  | 1.0                                   | 7.5                                    | 53.3  |
| SMAJ36               | TFMAJ36           | 40.0              | 48.9 | 1.0      | 36.0                                  | 1.0                                   | 6.2                                    | 64.3  |
| SMAJ36A              | TFMAJ36A          | 40.0              | 44.2 | 1.0      | 36.0                                  | 1.0                                   | 6.9                                    | 58.1  |

## TRANSIENT VOLTAGE SUPPRESSORS

### 400W SERIES TVS DIODES/DO-214AC ( CASE 2 ) 400W

| Rectron Industry No. | Rectron House No. | Breakdown Voltage |       |          | Reverse Stand off Voltage VWM (Volts) | Maximum Reverse Leakage at VWM ID(uA) | Maximum Peak Pulse Current IPPM (Amps) | Maximum Clamping Voltage at IPPM VC (Volts) |
|----------------------|-------------------|-------------------|-------|----------|---------------------------------------|---------------------------------------|--|---|
|                      |                   | VBR (Volts)       |       | @IT (mA) |                                       |                                       |  |   |
|                      |                   | MIN.              | MAX.  |          |                                       |                                       |  |   |
| SMAJ40               | TFMAJ40           | 44.4              | 54.3  | 1.0      | 40                                    | 1.0                                   | 5.6                                    | 71.4  |
| SMAJ40A              | TFMAJ40A          | 44.4              | 49.1  | 1.0      | 40                                    | 1.0                                   | 6.2                                    | 64.5  |
| SMAJ43               | TFMAJ43           | 47.8              | 58.4  | 1.0      | 43                                    | 1.0                                   | 5.2                                    | 76.7  |
| SMAJ43A              | TFMAJ43A          | 47.8              | 52.8  | 1.0      | 43                                    | 1.0                                   | 5.8                                    | 69.4  |
| SMAJ45               | TFMAJ45           | 50.0              | 61.1  | 1.0      | 45                                    | 1.0                                   | 5.0                                    | 80.3  |
| SMAJ45A              | TFMAJ45A          | 50.0              | 55.3  | 1.0      | 45                                    | 1.0                                   | 5.5                                    | 72.7  |
| SMAJ48               | TFMAJ48           | 53.3              | 65.1  | 1.0      | 48                                    | 1.0                                   | 4.7                                    | 85.5  |
| SMAJ48A              | TFMAJ48A          | 53.3              | 58.9  | 1.0      | 48                                    | 1.0                                   | 5.2                                    | 77.4  |
| SMAJ51               | TFMAJ51           | 56.7              | 69.3  | 1.0      | 51                                    | 1.0                                   | 4.4                                    | 91.1  |
| SMAJ51A              | TFMAJ51A          | 56.7              | 62.7  | 1.0      | 51                                    | 1.0                                   | 4.9                                    | 82.4  |
| SMAJ54               | TFMAJ54           | 60.0              | 73.3  | 1.0      | 54                                    | 1.0                                   | 4.2                                    | 96.3  |
| SMAJ54A              | TFMAJ54A          | 60.0              | 66.3  | 1.0      | 54                                    | 1.0                                   | 4.6                                    | 87.1  |
| SMAJ58               | TFMAJ58           | 64.4              | 78.7  | 1.0      | 58                                    | 1.0                                   | 3.9                                    | 103   |
| SMAJ58A              | TFMAJ58A          | 64.4              | 71.2  | 1.0      | 58                                    | 1.0                                   | 4.3                                    | 93.6  |
| SMAJ60               | TFMAJ60           | 66.7              | 81.5  | 1.0      | 60                                    | 1.0                                   | 3.7                                    | 107   |
| SMAJ60A              | TFMAJ60A          | 66.7              | 73.7  | 1.0      | 60                                    | 1.0                                   | 4.1                                    | 96.8  |
| SMAJ64               | TFMAJ64           | 71.1              | 86.9  | 1.0      | 64                                    | 1.0                                   | 3.5                                    | 114   |
| SMAJ64A              | TFMAJ64A          | 71.1              | 78.6  | 1.0      | 64                                    | 1.0                                   | 3.9                                    | 103   |
| SMAJ70               | TFMAJ70           | 77.8              | 95.1  | 1.0      | 70                                    | 1.0                                   | 3.2                                    | 125   |
| SMAJ70A              | TFMAJ70A          | 77.8              | 86.0  | 1.0      | 70                                    | 1.0                                   | 3.5                                    | 113   |
| SMAJ75               | TFMAJ75           | 83.3              | 102   | 1.0      | 75                                    | 1.0                                   | 3.0                                    | 134   |
| SMAJ75A              | TFMAJ75A          | 83.3              | 92.1  | 1.0      | 75                                    | 1.0                                   | 3.3                                    | 121   |
| SMAJ78               | TFMAJ78           | 86.7              | 106   | 1.0      | 78                                    | 1.0                                   | 2.9                                    | 139   |
| SMAJ78A              | TFMAJ78A          | 86.7              | 95.8  | 1.0      | 78                                    | 1.0                                   | 3.2                                    | 126   |
| SMAJ85               | TFMAJ85           | 94.4              | 115   | 1.0      | 85                                    | 1.0                                   | 2.0                                    | 151   |
| SMAJ85A              | TFMAJ85A          | 94.4              | 104   | 1.0      | 85                                    | 1.0                                   | 2.2                                    | 137   |
| SMAJ90               | TFMAJ90           | 100               | 122   | 1.0      | 90                                    | 1.0                                   | 1.9                                    | 160   |
| SMAJ90A              | TFMAJ90A          | 100               | 111   | 1.0      | 90                                    | 1.0                                   | 2.1                                    | 146   |
| SMAJ100              | TFMAJ100          | 111               | 136   | 1.0      | 100                                   | 1.0                                   | 1.7                                    | 179   |
| SMAJ100A             | TFMAJ100A         | 111               | 123   | 1.0      | 100                                   | 1.0                                   | 1.9                                    | 162   |
| SMAJ110              | TFMAJ110          | 122               | 149   | 1.0      | 110                                   | 1.0                                   | 1.5                                    | 196   |
| SMAJ110A             | TFMAJ110A         | 122               | 135   | 1.0      | 110                                   | 1.0                                   | 1.7                                    | 177   |
| SMAJ120              | TFMAJ120          | 133               | 163   | 1.0      | 120                                   | 1.0                                   | 1.4                                    | 214   |
| SMAJ120A             | TFMAJ120A         | 133               | 147   | 1.0      | 120                                   | 1.0                                   | 1.6                                    | 193   |
| SMAJ130              | TFMAJ130          | 144               | 176   | 1.0      | 130                                   | 1.0                                   | 1.3                                    | 231   |
| SMAJ130A             | TFMAJ130A         | 144               | 159   | 1.0      | 130                                   | 1.0                                   | 1.4                                    | 209   |
| SMAJ150              | TFMAJ150          | 167               | 204   | 1.0      | 150                                   | 1.0                                   | 1.1                                    | 268   |
| SMAJ150A             | TFMAJ150A         | 167               | 185   | 1.0      | 150                                   | 1.0                                   | 1.2                                    | 243   |
| SMAJ160              | TFMAJ160          | 178               | 218   | 1.0      | 160                                   | 1.0                                   | 1.0                                    | 287   |
| SMAJ160A             | TFMAJ160A         | 178               | 197   | 1.0      | 160                                   | 1.0                                   | 1.2                                    | 259   |
| SMAJ170              | TFMAJ170          | 189               | 231   | 1.0      | 170                                   | 1.0                                   | 0.99                                   | 304   |
| SMAJ170A             | TFMAJ170A         | 189               | 209   | 1.0      | 170                                   | 1.0                                   | 1.09                                   | 275   |
| SMAJ180              | TFMAJ180          | 200.16            | 244.8 | 1.0      | 180                                   | 1.0                                   | 1.24                                   | 322.2                                       |
| SMAJ180A             | TFMAJ180A         | 200               | 220   | 1.0      | 180                                   | 1.0                                   | 1.37                                   | 291.6                                       |
| SMAJ190              | TFMAJ190          | 211.28            | 258.4 | 1.0      | 190                                   | 1.0                                   | 1.18                                   | 340.1                                       |
| SMAJ190A             | TFMAJ190A         | 211               | 232   | 1.0      | 190                                   | 1.0                                   | 1.3                                    | 307.8                                       |
| SMAJ200A             | TFMAJ200A         | 224               | 247   | 1.0      | 200                                   | 1.0                                   | 1.23                                   | 324   |
| SMAJ220A             | TFMAJ220A         | 246               | 272   | 1.0      | 220                                   | 1.0                                   | 1.12                                   | 356   |
| SMAJ250A             | TFMAJ250A         | 279               | 309   | 1.0      | 250                                   | 1.0                                   | 0.99                                   | 405   |
| SMAJ300A             | TFMAJ300A         | 335               | 371   | 1.0      | 300                                   | 1.0                                   | 0.82                                   | 486   |
| SMAJ350A             | TFMAJ350A         | 391               | 432   | 1.0      | 350                                   | 1.0                                   | 0.71                                   | 567   |
| SMAJ400A             | TFMAJ400A         | 447               | 494   | 1.0      | 400                                   | 1.0                                   | 0.62                                   | 648   |
| SMAJ440A             | TFMAJ440A         | 492               | 543   | 1.0      | 440                                   | 1.0                                   | 0.56                                   | 713   |

- Notes :
1.  $V_{BR}$  measured after  $I_T$  applied for 300ms.  $I_T$  = square pulse or equivalent.
  2. For bidirectional use C or CA suffixes for all types (ex. SMAJ5.0C, SMAJ440CA) electrical characteristics apply in both directions.
  3. For bidirectional types having  $V_{WM}$  of 10 volts and less, the  $I_D$  limit is doubled.

## Mounting Pad Layout



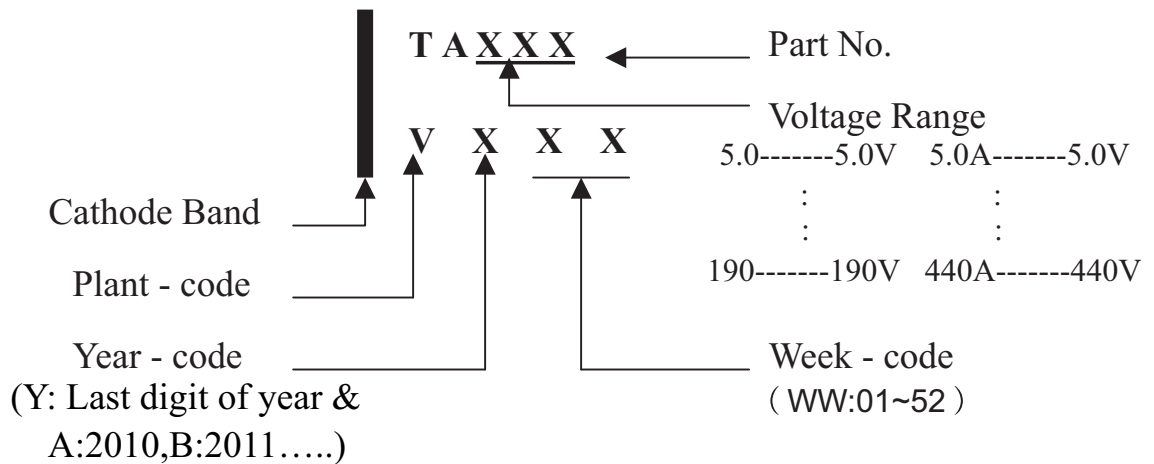
Dimensions in inches and (millimeters)

## 1. Internal Circuit



## 2. Marking on the body

### SMAJxx/SMAJxxA



### SMAJxxCA



## PACKAGING OF DIODE AND BRIDGE RECTIFIERS

### REEL PACK

| PACKAGE | PACKING CODE | EA PER REEL | EA PER INNER BOX | COMPONENT SPACE (mm) | TAPE SPACE (mm) | REEL DIA (mm) | CARTON SIZE (mm) | EA PER CARTON | GROSS WEIGHT(Kg) |
|---------|--------------|-------------|------------------|----------------------|-----------------|---------------|------------------|---------------|------------------|
| SMA     | -W           | 7,500       | 15,000           | ---                  | ---             | 330           | 360*355*360      | 120,000       | 15.2             |

| PACKAGE | PACKING CODE | EA PER REEL | EA PER INNER BOX | COMPONENT SPACE (mm) | TAPE SPACE (mm) | REEL DIA (mm) | CARTON SIZE (mm) | EA PER CARTON | GROSS WEIGHT(Kg) |
|---------|--------------|-------------|------------------|----------------------|-----------------|---------------|------------------|---------------|------------------|
| SMA     | -T           | 2,000       | 8,000            | ---                  | ---             | 178           | 390*205*310      | 64,000        | 7.8              |

## DISCLAIMER NOTICE

Rectron Inc reserves the right to make changes without notice to any product specification herein, to make corrections, modifications, enhancements or other changes. Rectron Inc or anyone on its behalf assumes no responsibility or liability for any errors or inaccuracies. Data sheet specifications and its information contained are intended to provide a product description only. "Typical" parameters which may be included on RECTRON data sheets and/ or specifications can and do vary in different applications and actual performance may vary over time. Rectron Inc does not assume any liability arising out of the application or use of any product or circuit.

Rectron products are not designed, intended or authorized for use in medical, life-saving implant or other applications intended for life-sustaining or other related applications where a failure or malfunction of component or circuitry may directly or indirectly cause injury or threaten a life without expressed written approval of Rectron Inc. Customers using or selling Rectron components for use in such applications do so at their own risk and shall agree to fully indemnify Rectron Inc and its subsidiaries harmless against all claims, damages and expenditures.





Компания «ЭлектроПласт» предлагает заключение долгосрочных отношений при поставках импортных электронных компонентов на взаимовыгодных условиях!

Наши преимущества:

- Оперативные поставки широкого спектра электронных компонентов отечественного и импортного производства напрямую от производителей и с крупнейших мировых складов;
- Поставка более 17-ти миллионов наименований электронных компонентов;
- Поставка сложных, дефицитных, либо снятых с производства позиций;
- Оперативные сроки поставки под заказ (от 5 рабочих дней);
- Экспресс доставка в любую точку России;
- Техническая поддержка проекта, помощь в подборе аналогов, поставка прототипов;
- Система менеджмента качества сертифицирована по Международному стандарту ISO 9001;
- Лицензия ФСБ на осуществление работ с использованием сведений, составляющих государственную тайну;
- Поставка специализированных компонентов (Xilinx, Altera, Analog Devices, Intersil, Interpoint, Microsemi, Aeroflex, Peregrine, Syfer, Eurofarad, Texas Instrument, Miteq, Cobham, E2V, MA-COM, Hittite, Mini-Circuits, General Dynamics и др.);

Помимо этого, одним из направлений компании «ЭлектроПласт» является направление «Источники питания». Мы предлагаем Вам помощь Конструкторского отдела:

- Подбор оптимального решения, техническое обоснование при выборе компонента;
- Подбор аналогов;
- Консультации по применению компонента;
- Поставка образцов и прототипов;
- Техническая поддержка проекта;
- Защита от снятия компонента с производства.



#### Как с нами связаться

**Телефон:** 8 (812) 309 58 32 (многоканальный)

**Факс:** 8 (812) 320-02-42

**Электронная почта:** [org@eplast1.ru](mailto:org@eplast1.ru)

**Адрес:** 198099, г. Санкт-Петербург, ул. Калинина, дом 2, корпус 4, литера А.