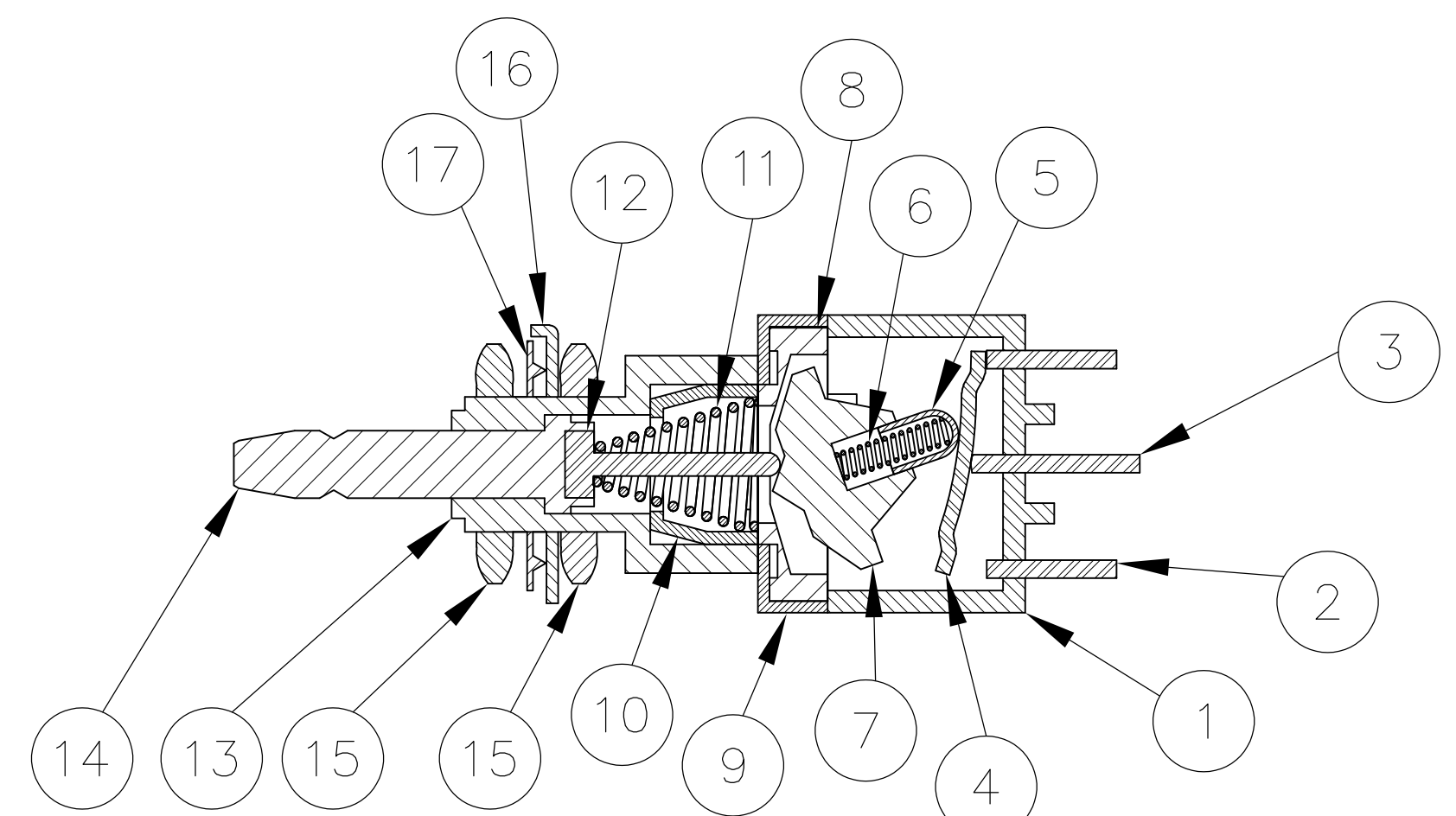
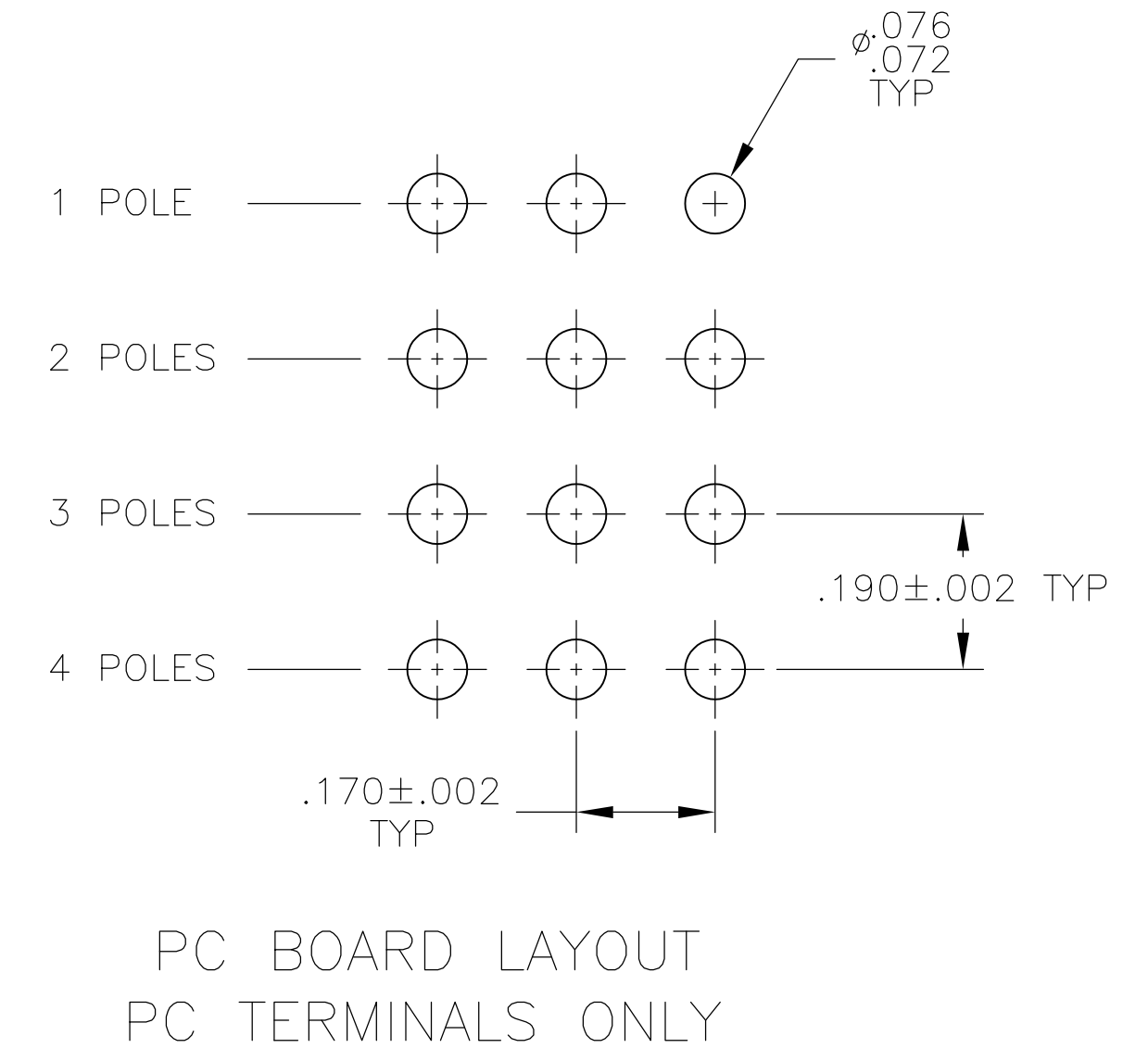
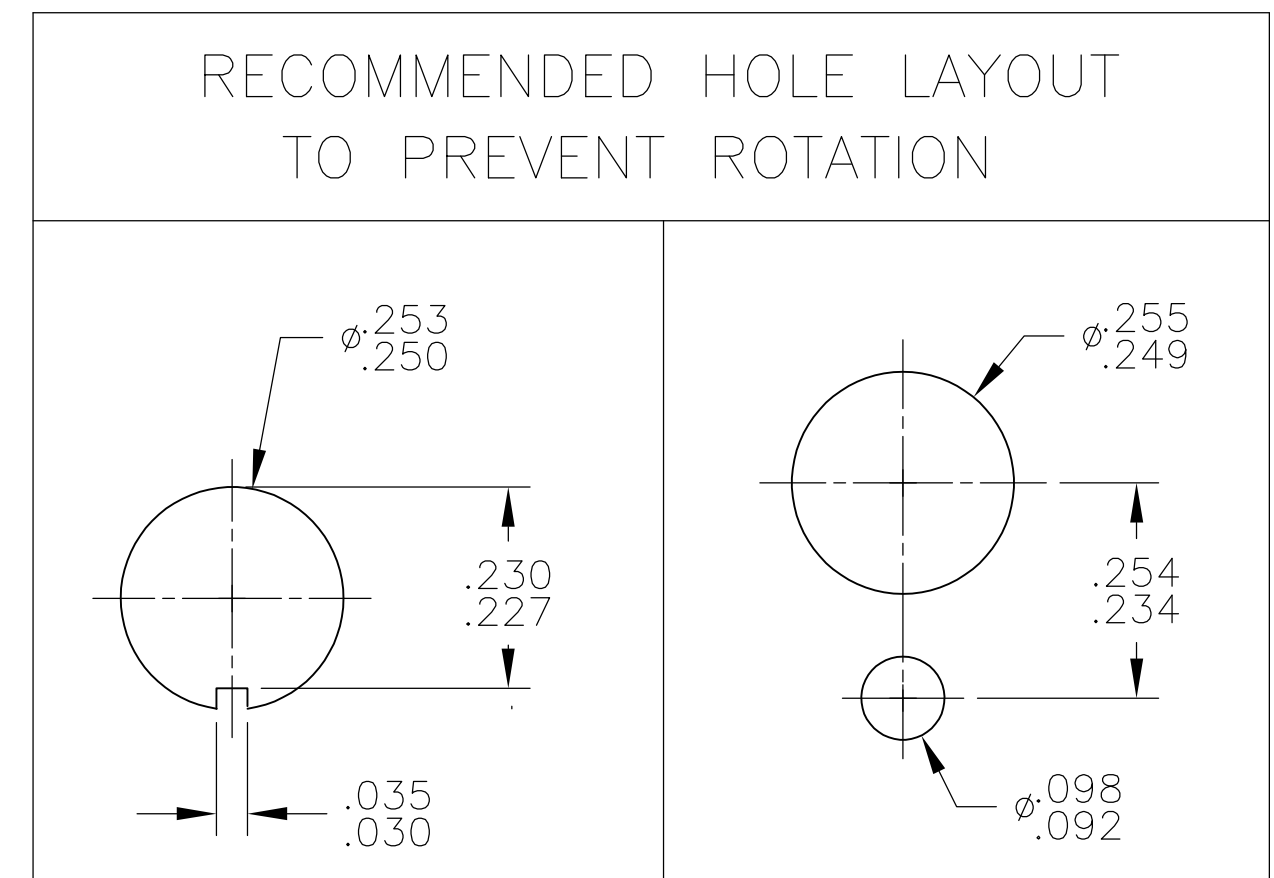


| Materials |                           |                          |            |
|-----------|---------------------------|--------------------------|------------|
| No        | Component name            | Base material            | Plating    |
| 1         | Housing                   | Diallyl phthalate resin  |            |
| 2         | End terminal              | silver clad copper alloy | gold flash |
| 3         | Center terminal           | copper alloy             | gold flash |
| 4         | Rocker contact            | silver clad copper alloy | gold flash |
| 5         | Actuator tip              | Phenol resin, UL94 HB    |            |
| 6         | Actuator spring           | music wire               |            |
| 7         | Actuator                  | Phenol resin, UL94 HB    |            |
| 8         | Actuator guide            | polyamid resin           |            |
| 9         | Frame                     | cold rolled steel        | zinc       |
| 10        | Retainer                  | brass                    | none       |
| 11        | Plunger spring            | music wire               |            |
| 12        | Plunger pin               | brass                    |            |
| 13        | Bushing                   | zinc                     | nickel     |
| 14        | Plunger                   | brass                    | nickel     |
| 15        | Mounting nuts (2)         | brass                    | nickel     |
| 16        | Locating ring             | cold rolled steel        | nickel     |
| 17        | Internal tooth lockwasher | steel                    | nickel     |



NOT TO SCALE

| Specifications-see note 3          |                                |                          |                  |
|------------------------------------|--------------------------------|--------------------------|------------------|
| <b>Current rating UL &amp; CSA</b> | 6A @ 125 VAC (resistive)       |                          |                  |
|                                    | 3A @ 250 VAC (resistive)       |                          |                  |
|                                    | 4A @ 28 VDC (resistive)        |                          |                  |
| <b>Initial contact resistance</b>  | 10 milliohms max @ 2-4 VDC, 1A |                          |                  |
| <b>Insulation resistance</b>       | 1,000 megohms min.             |                          |                  |
| <b>Dielectric strength</b>         | 1,500 VAC                      |                          |                  |
| <b>Travel</b>                      | .140                           |                          |                  |
| <b>Actuation force</b>             | .4 to 2 kgf                    |                          |                  |
| <b>Operating temperature</b>       | -20C to +85C                   |                          |                  |
| <b>Storage temperature</b>         | -40C to +85C                   |                          |                  |
| <b>Contact timing</b>              | break before make              |                          |                  |
| <b>Terminal seal</b>               | over molded                    |                          |                  |
| <b>Durability</b>                  | <b>Parameter</b>               | <b>Push on/ Push off</b> | <b>Momentary</b> |
|                                    | 250 VAC (3A resistive)         | 50,000                   | 50,000           |
|                                    | 125 VAC (6A resistive)         | 50,000                   | 50,000           |
|                                    | 28 VDC (4A resistive)          | 50,000                   | 50,000           |



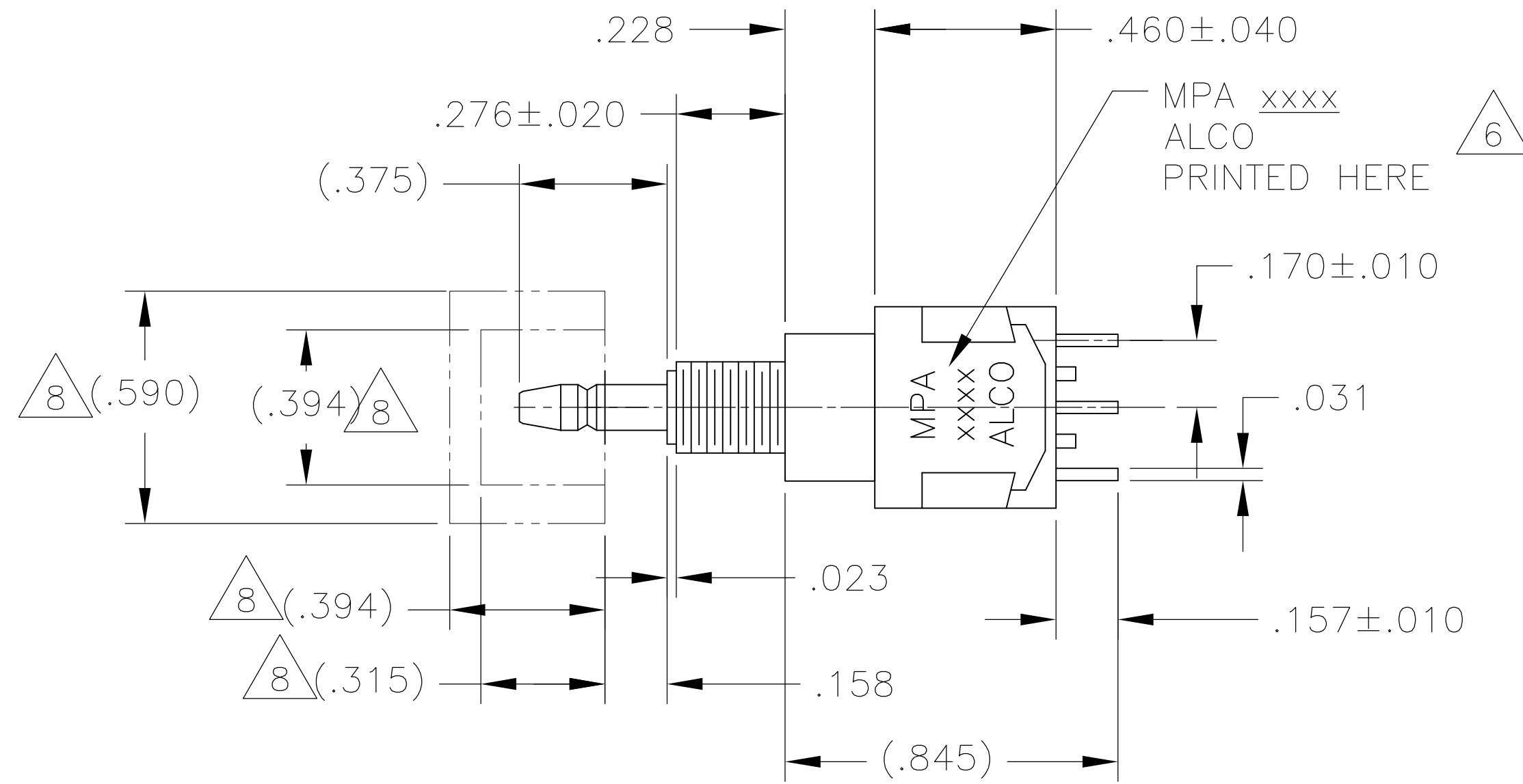
| PART NUMBER | Alco P/N  | Mark Switch | Poles | Throws | Terminal | Function |     | Connected Terminals  |                      |
|-------------|-----------|-------------|-------|--------|----------|----------|-----|----------------------|----------------------|
|             |           |             |       |        |          | ON       | MOM | Terminal 1           | Terminal 2           |
| 3-1437567-8 | MPA406R   | MPA 406R    | 4     | 2      | Wire lug | ON       | MOM | 2-1, 5-4, 8-7, 11-10 | 2-3, 5-6, 8-9, 11-12 |
| 3-1437567-7 | MPA406N   | MPA 406N    | 4     | 2      | Wire lug | ON       | ON  | 2-1, 5-4, 8-7, 11-10 | 2-3, 5-6, 8-9, 11-12 |
| 3-1437567-6 | MPA306F   | MPA 306F    | 3     | 2      | Wire lug | ON       | MOM | 2-1, 5-4, 8-7        | 2-3, 5-6, 8-9        |
| 3-1437567-5 | MPA306D   | MPA 306D    | 3     | 2      | Wire lug | ON       | ON  | 2-1, 5-4, 8-7        | 2-3, 5-6, 8-9        |
| 3-1437567-4 | MPA206RPC | MPA 206RPC  | 2     | 2      | PC       | ON       | MOM | 2-1, 5-4             | 2-3, 5-6             |
| 3-1437567-3 | MPA206R   | MPA 206R    | 2     | 2      | Wire lug | ON       | MOM | 2-1, 5-4             | 2-3, 5-6             |
| 3-1437567-2 | MPA206NPC | MPA 206NPC  | 2     | 2      | PC       | ON       | ON  | 2-1, 5-4             | 2-3, 5-6             |
| 3-1437567-1 | MPA206N   | MPA 206N    | 2     | 2      | Wire lug | ON       | ON  | 2-1, 5-4             | 2-3, 5-6             |
| 3-1437567-0 | MPA106FPC | MPA 106FPC  | 1     | 2      | PC       | ON       | MOM | 2-1                  | 2-3                  |
| 2-1437567-9 | MPA106F   | MPA 106F    | 1     | 2      | Wire lug | ON       | MOM | 2-1                  | 2-3                  |
| 2-1437567-8 | MPA106D   | MPA 106D    | 1     | 2      | Wire lug | ON       | ON  | 2-1                  | 2-3                  |

- NOTES:
- TERMINAL NUMBERS ARE FOR REFERENCE ONLY AND DO NOT APPEAR ON THE SWITCHES.
  - EACH SWITCH SUPPLIED WITH THE FOLLOWING MOUNTING HARDWARE:
    - (2) 1/4-40 UNS-2B HEX NUTS
    - (1) INTERNAL TOOTH LOCKWASHER
    - (1) LOCATING RING
  - WIRE LUG CONTACTS WILL ACCEPT 2 #20 AWG SOLID OR STRANDED WIRES.
  - MARK SWITCH
  - ALL MATERIALS AND FINISHES SHALL COMPLY WITH EU DIRECTIVE 2002/95/EC OF 27JAN2003 (ROHS).
  - SWITCH DOES NOT INCLUDE BUTTON CAP. DIMENSIONS SHOWN DESCRIBE ALCO SWITCH CAP C22\* AND C23\* FOUND ON DRAWINGS 1825068 & 1825069 AND SOLD SEPARATELY.

THIS DRAWING IS A CONTROLLED DOCUMENT.

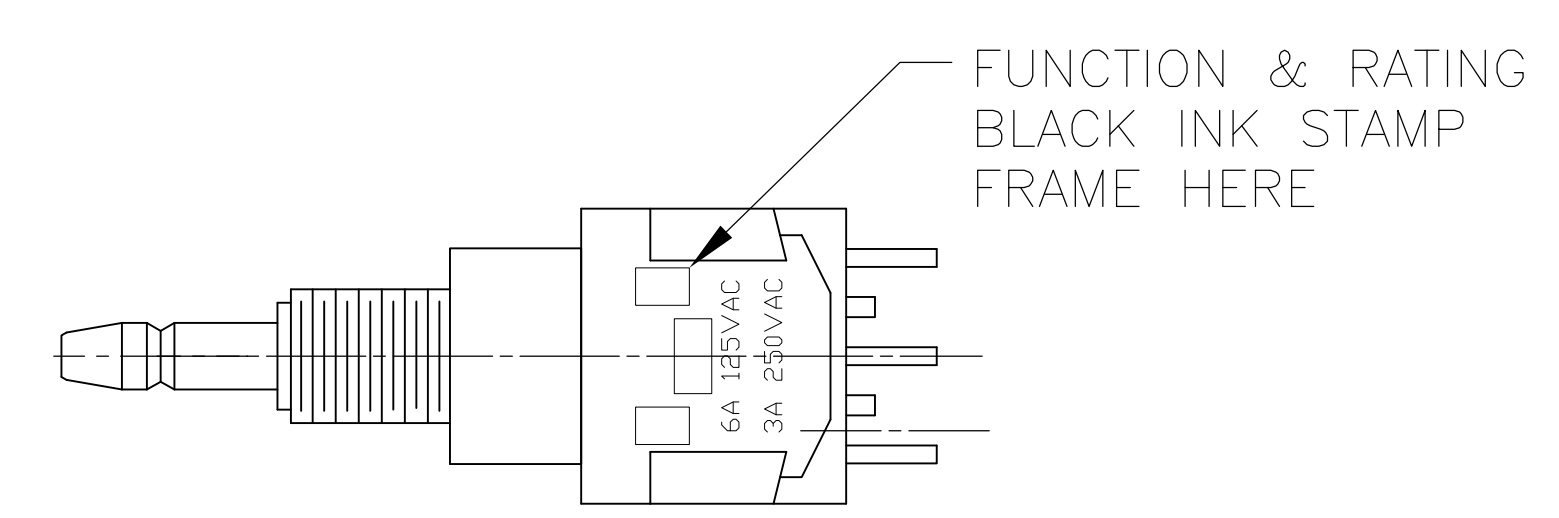
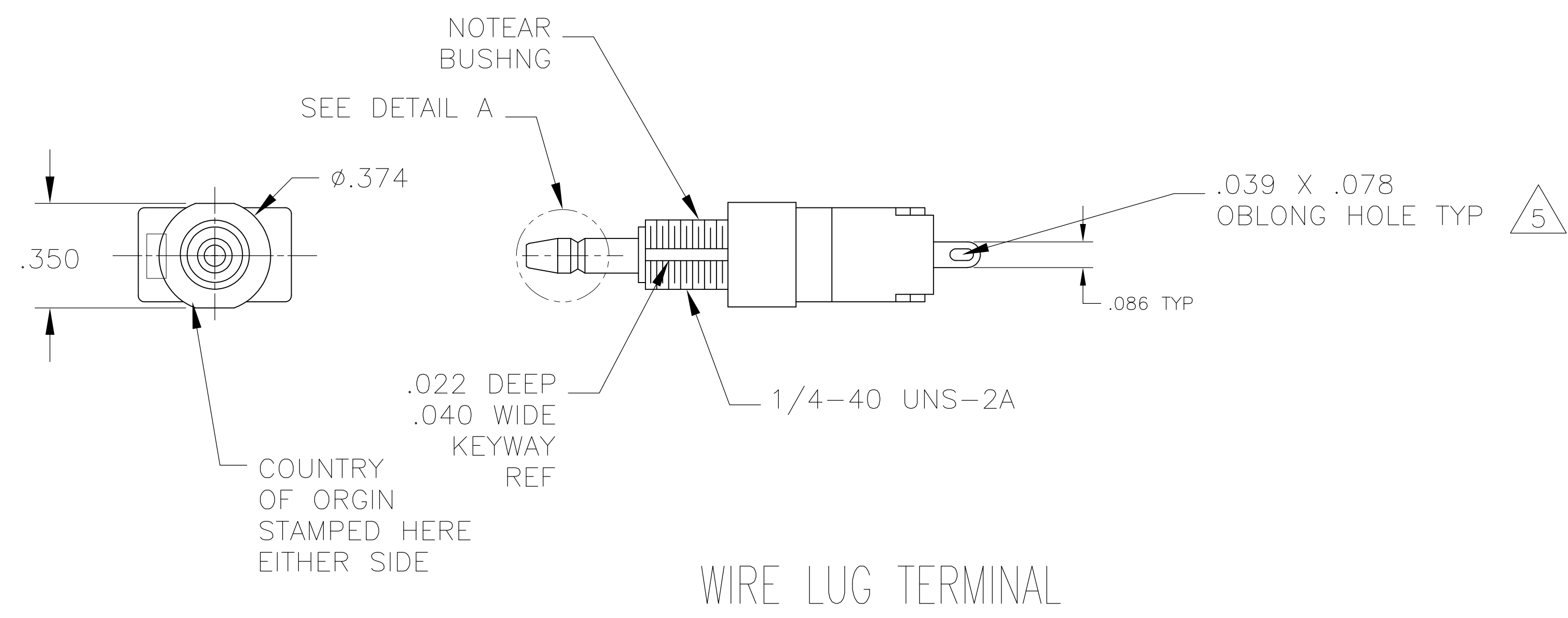
|                    |  |   |                       |   |
|--------------------|--|---|-----------------------|---|
| DIMENSIONS: INCHES | TOLERANCES UNLESS OTHERWISE SPECIFIED: | DIN M. BINNER 02MAR09                                       | APVD M. ZITTO 15NOV04 | NAME ALCO SWITCH GREEN SERIES PUSHBUTTON SWITCH, MPA SERIES |
| 0. PLC ± .01       | 1. PLC ± .01                           | CHK M. ZITTO 15NOV04  | PRODUCT SPEC          | SIZE A1   |
| 2. PLC ± .01       | 3. PLC ± .01                           | APVD M. ZITTO 15NOV04                                       | APPLICATION SPEC      | WEIGHT  |
| 4. PLC ± .01       | ANGLES ± .01                           | NAME ALCO SWITCH GREEN SERIES PUSHBUTTON SWITCH, MPA SERIES | RESTRICTED TO         | CUSTOMER DRAWING  |

SCALE 3:1 SHEET 1 OF 3 REV A3

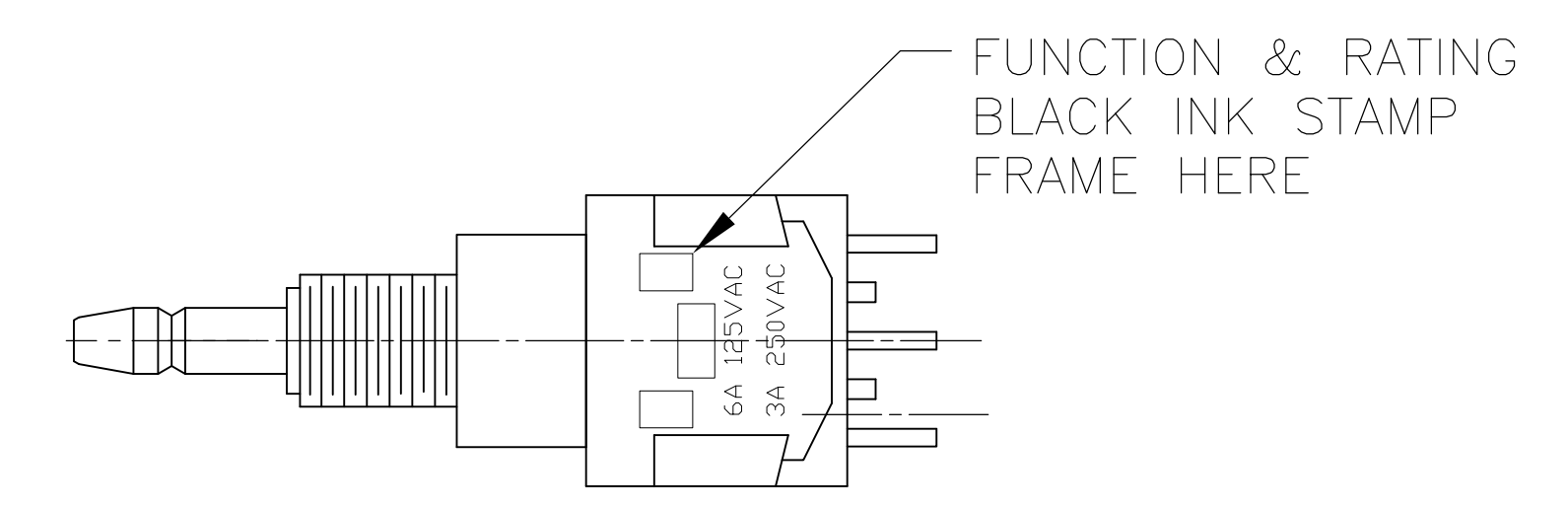
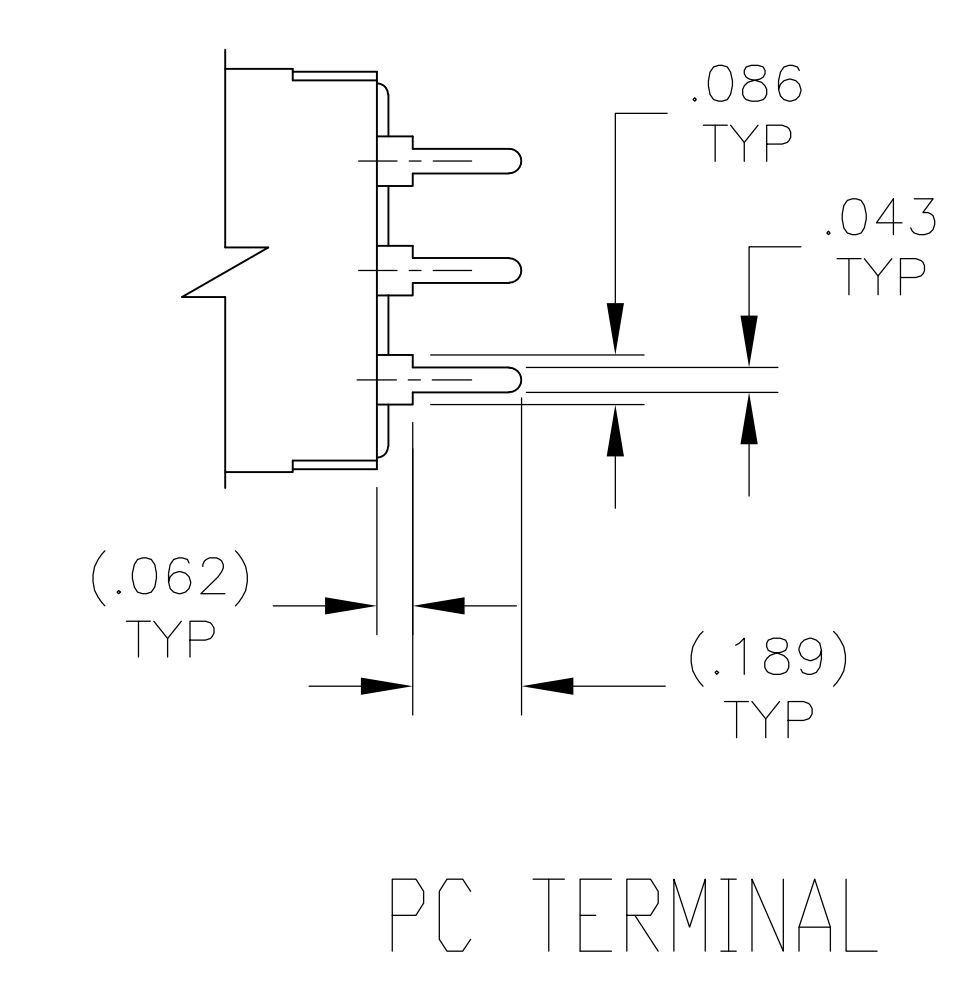
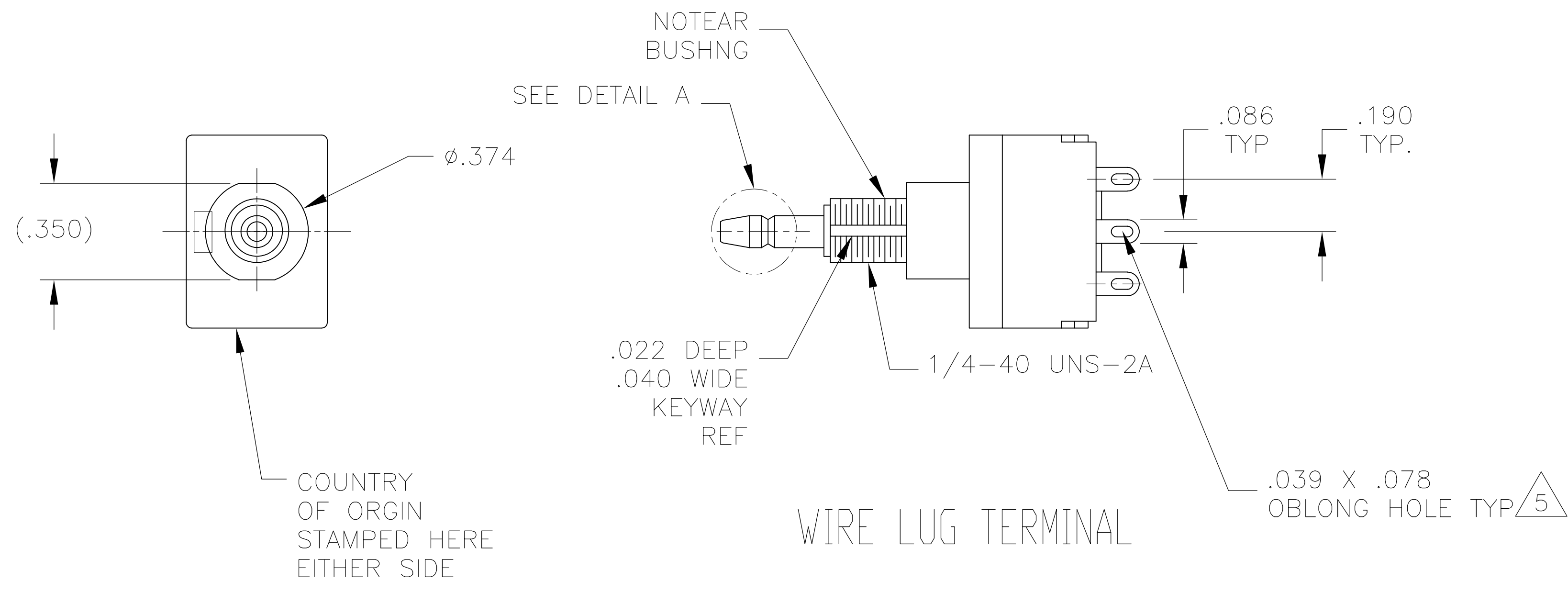
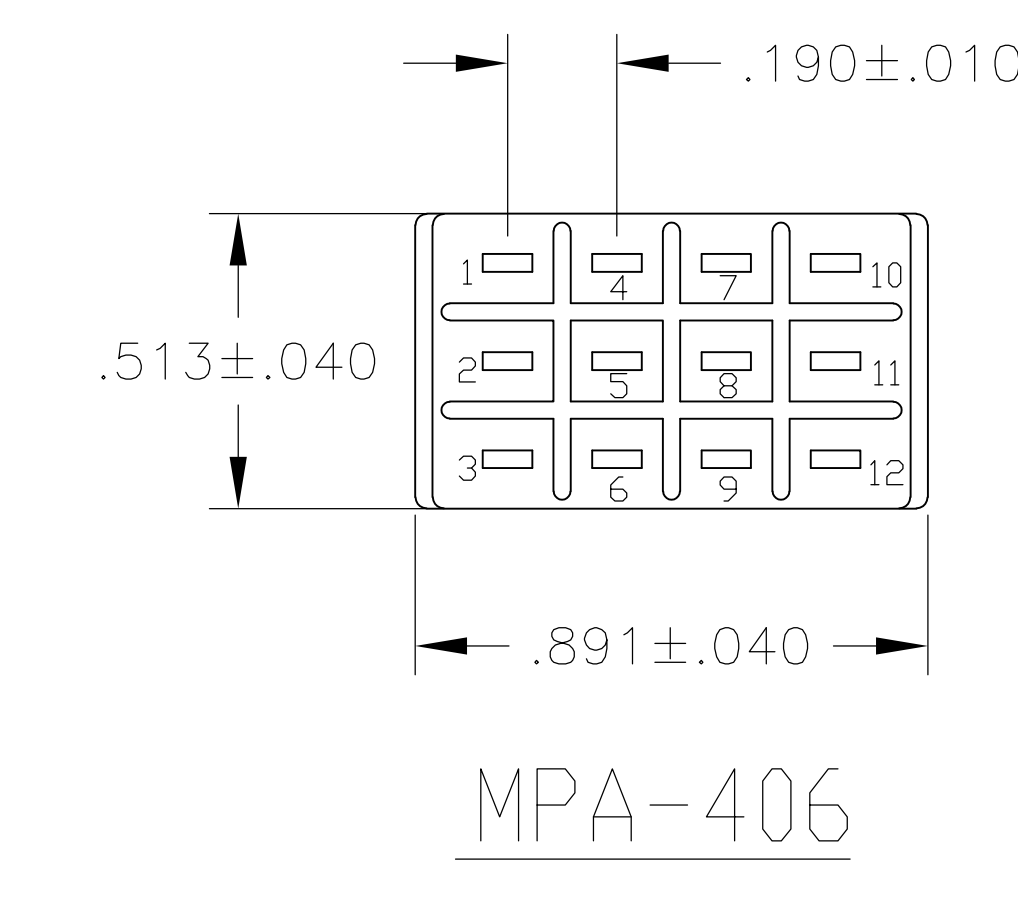
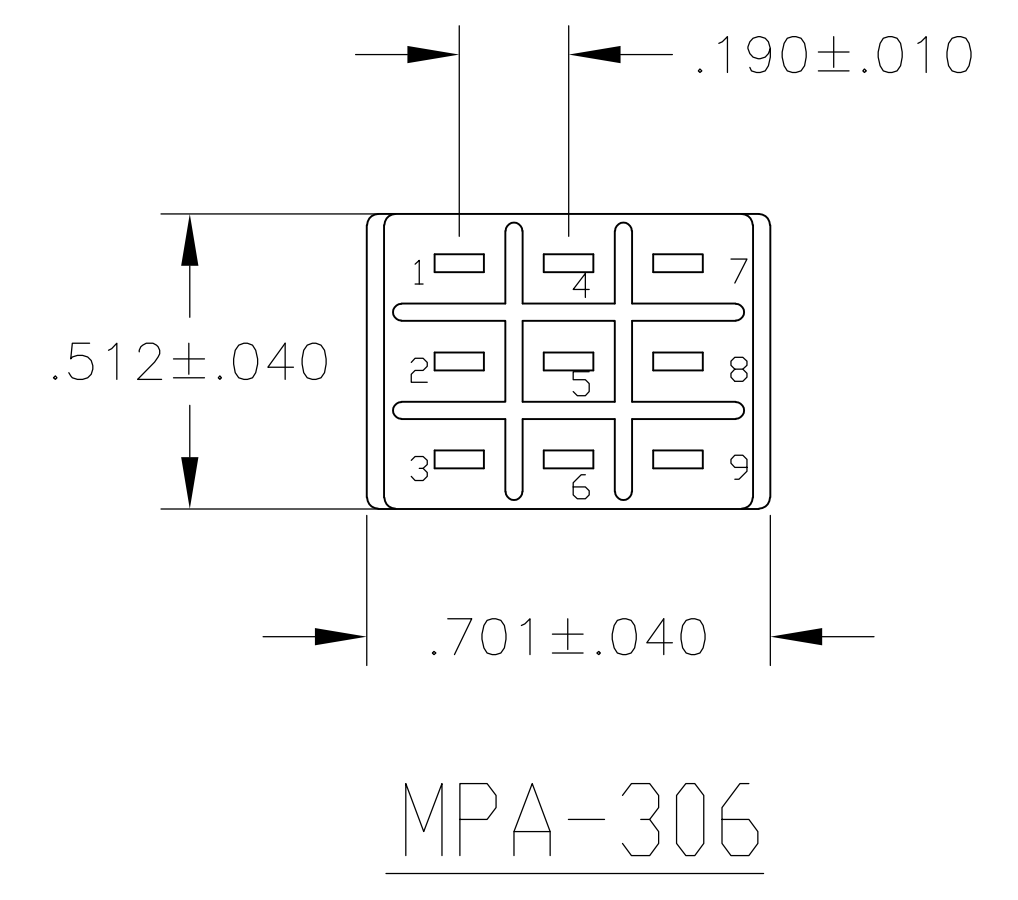
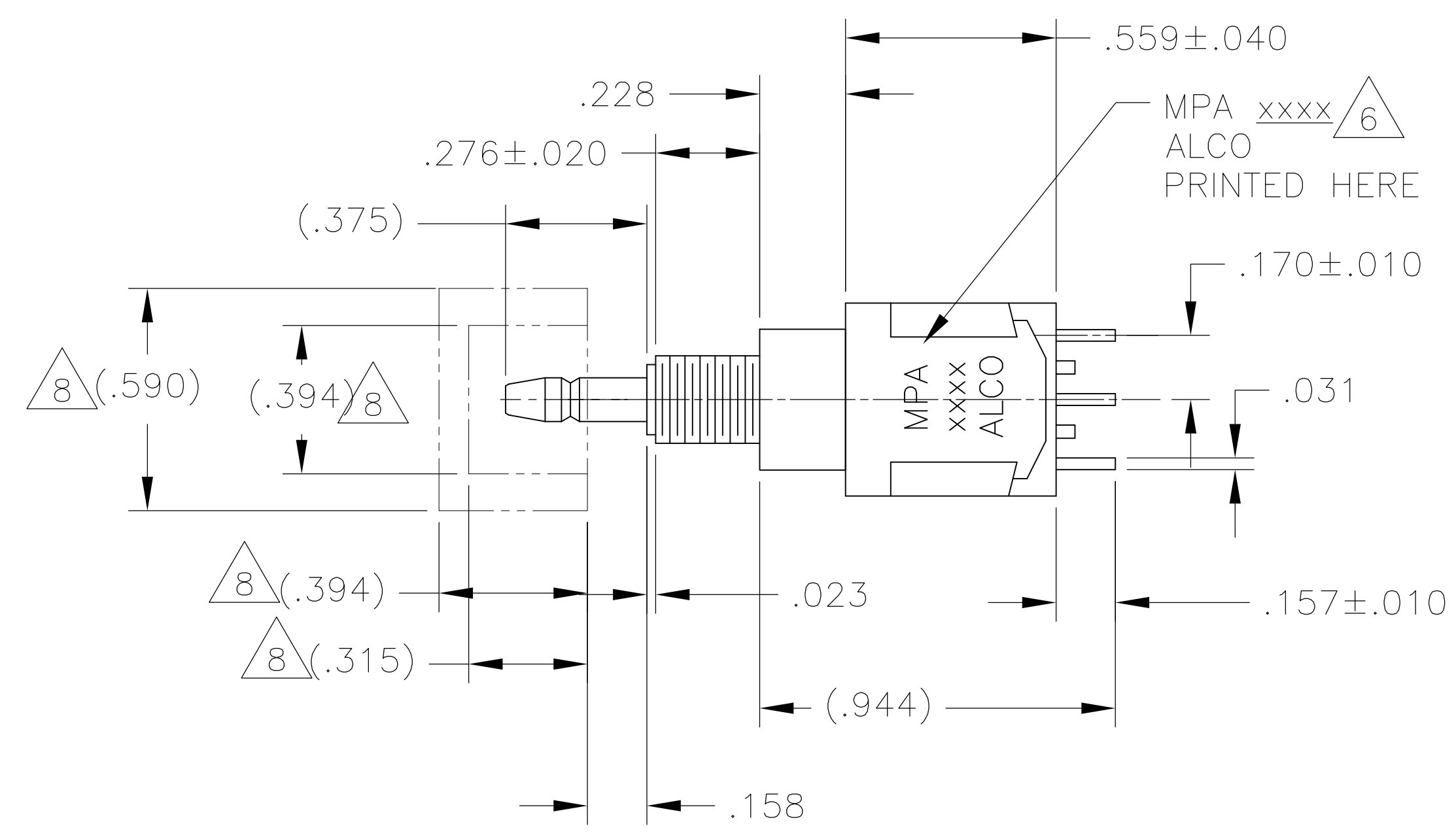


MPA-106

MPA-206



|  |        |                  |           |   |                     |
|--|--------|------------------|-----------|---|---------------------|
| THIS DRAWING IS A CONTROLLED DOCUMENT. |        | DIN              | M. BINNER | 02MAR09   | <br>TE Connectivity |
| DIMENSIONS: INCHES                     |        | CHK              | M. ZITTO  | 15NOV04   |                     |
| TOLERANCES UNLESS OTHERWISE SPECIFIED: |        | APP'D            | M. ZITTO  | 15NOV04   | NAME                |
| 0. PLC                                 | ± -    | PRODUCT SPEC     |           | ALCOSWITCH GREEN SERIES PUSHBUTTON SWITCH, MPA SERIES |                     |
| 1. PLC                                 | ± -    | APPLICATION SPEC |           | -   |                     |
| 2. PLC                                 | ± -    | SIZE             |           | A1  |                     |
| 3. PLC                                 | ± .012 | CAGE CODE        |           | 00779   |                     |
| 4. PLC                                 | ± -    | DRAWING NO       |           | 2-1437567-9   |                     |
| ANGLES                                 | ± -    | WEIGHT           |           | -   |                     |
| MATERIAL                               |        | CUSTOMER DRAWING |           | SCALE   | 3:1                 |
| FINISH                                 |        | SHEET            |           | 2   | OF 3                |
|  |        | REV              |           | A3  |                     |



|  |        |                         |   |  |
|--|--------|-------------------------|---|--|
| THIS DRAWING IS A CONTROLLED DOCUMENT. |        | DWG: M. BINNER 02MAR09  | TE Connectivity   |  |
| DIMENSIONS: INCHES                     |        | CHK: M. ZITTO 15NOV04   |   |  |
| TOLERANCES UNLESS OTHERWISE SPECIFIED: |        | APP'D: M. ZITTO 15NOV04 | NAME: ALCOSWITCH GREEN SERIES PUSHBUTTON SWITCH, MPA SERIES |  |
| 0. PLC                                 | ± .01  | PRODUCT SPEC            | APPLICATION SPEC  |  |
| 1. PLC                                 | ± .01  |                         | SIZE: A1  |  |
| 2. PLC                                 | ± .01  |                         | CAGE CODE: 2-1437567-9                                      |  |
| 3. PLC                                 | ± .012 |                         | DRAWING NO: 00779   |  |
| 4. PLC                                 | ± .01  |                         | SCALE: 3:1  |  |
| ANGLES                                 | ± .01  |                         | SHEET: 3 OF 3   |  |
| MATERIAL                               |        | WEIGHT                  | REV: A3   |  |
| CUSTOMER DRAWING                       |        |                         |   |  |



Компания «ЭлектроПласт» предлагает заключение долгосрочных отношений при поставках импортных электронных компонентов на взаимовыгодных условиях!

Наши преимущества:

- Оперативные поставки широкого спектра электронных компонентов отечественного и импортного производства напрямую от производителей и с крупнейших мировых складов;
- Поставка более 17-ти миллионов наименований электронных компонентов;
- Поставка сложных, дефицитных, либо снятых с производства позиций;
- Оперативные сроки поставки под заказ (от 5 рабочих дней);
- Экспресс доставка в любую точку России;
- Техническая поддержка проекта, помощь в подборе аналогов, поставка прототипов;
- Система менеджмента качества сертифицирована по Международному стандарту ISO 9001;
- Лицензия ФСБ на осуществление работ с использованием сведений, составляющих государственную тайну;
- Поставка специализированных компонентов (Xilinx, Altera, Analog Devices, Intersil, Interpoint, Microsemi, Aeroflex, Peregrine, Syfer, Eurofarad, Texas Instrument, Miteq, Cobham, E2V, MA-COM, Hittite, Mini-Circuits, General Dynamics и др.);

Помимо этого, одним из направлений компании «ЭлектроПласт» является направление «Источники питания». Мы предлагаем Вам помощь Конструкторского отдела:

- Подбор оптимального решения, техническое обоснование при выборе компонента;
- Подбор аналогов;
- Консультации по применению компонента;
- Поставка образцов и прототипов;
- Техническая поддержка проекта;
- Защита от снятия компонента с производства.



#### Как с нами связаться

**Телефон:** 8 (812) 309 58 32 (многоканальный)

**Факс:** 8 (812) 320-02-42

**Электронная почта:** [org@eplast1.ru](mailto:org@eplast1.ru)

**Адрес:** 198099, г. Санкт-Петербург, ул. Калинина, дом 2, корпус 4, литера А.