

Eclipse Series - NEMA 4, 12

Single Door Enclosures

Industrial Enclosures

Wallmount Enclosures



Single Door with latching handle



Single Door with quarter turns



Single Door with multi-point latching handle and quarter turns

Panel Sold Separately



Application

- Designed to enclose electrical and/or electronic equipment and protect against harsh, industrial environments for wallmount applications.
- Impressive styling features like hidden hinges, attractive latching systems make the Eclipse a suitable addition to any high-tech equipment installation.
- A wide range of sizes and practical accessories make this product line a complete package.

Standards

- UL 508 Type 3R, 4, and 12
- CSA Type 3R, 4, and 12
- **Complies with**
 - NEMA Type 3R, 4, and 12
 - IEC 60529, IP66

Construction

- Formed 14 or 16 gauge steel.
- Smooth, continuously welded seams ground smooth.
- Door stiffeners are provided where required for increased strength and rigidity - designed to also permit additional mounting options.
- Formed lip on enclosure to exclude flowing liquids and contaminants.
- Door latches feature the added safety of quarter turn slot requiring use of tool for opening.
- Doors may be easily removed for modifications and are interchangeable.
- Seamless poured-in place gasket.
- Collar studs provided for mounting inner panel.
- Includes hardware kit with panel mounting nuts and sealing washers for wall mounting holes.
- Bonding stud provided on door and grounding stud installed in enclosure
- Hinges are constructed from 304 stainless steel.
- Hinge pins are stainless steel.
- Quarter turn latch and multi-point handle (key lockable) are zinc diecast with black epoxy finish.
- Door alignment guide provided on 36" wide enclosures.

Finish

- Cover and enclosure are phosphatized and finished with a recoatable powder inside and out with choice of ANSI 61 smooth Gray (GY) or RAL7035 textured light gray (LG).

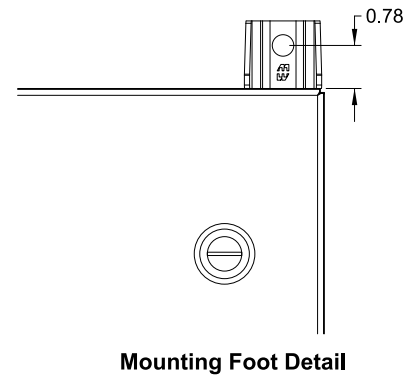
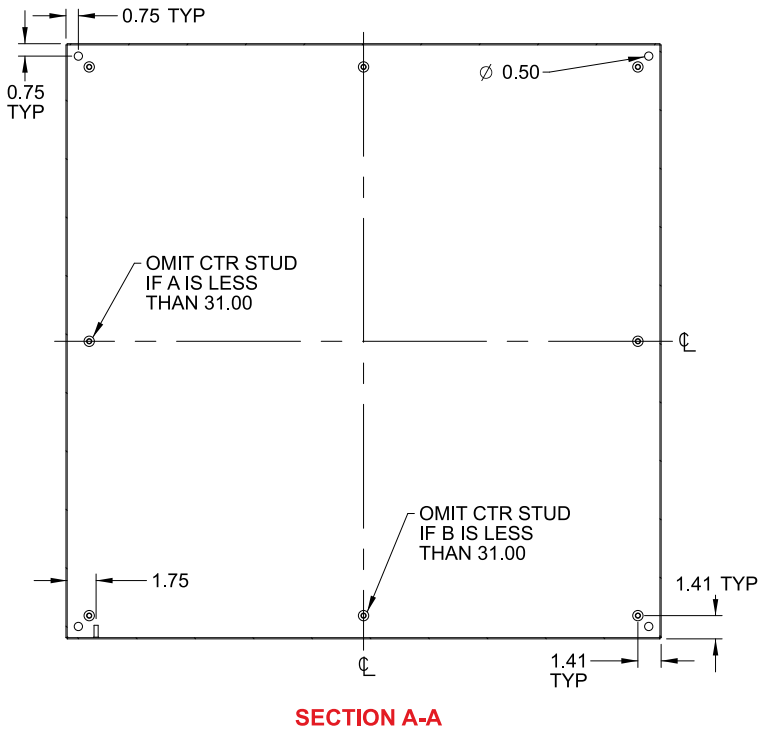
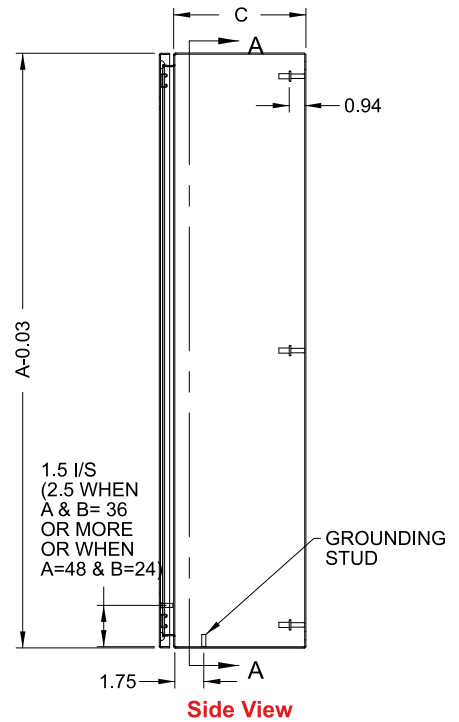
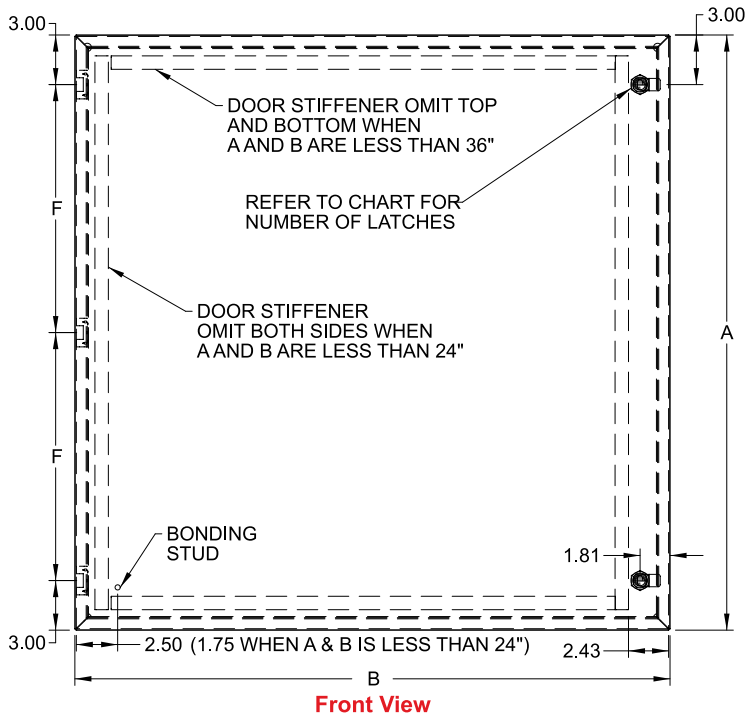
Accessories

- Air conditioners...see page [349-367](#)
- Blowers...see page [392](#)
- Breather kits...see page [400-401](#)
- DIN rails...see page [30](#)
- DIN rail mounting kit...see page [30](#)
- Door stop kit...see page [453](#)
- Drip shield kit...see page [451](#)
- Filter fans...see page [371-384](#)
- Gland Plates...see page [446](#)
- Heaters...see page [393-396](#)
- Handles...see page [31](#)
- Inner panel...see page [29](#)
- Quarter turn inserts and keys...see page [31](#)
- Literature pocket...see page [456](#)
- Mounting foot kit...see page [31](#)
- Swing frame...see page [30](#)
- Swing panel...see page [29](#)
- Rear Hole Plugs...see page [32](#)
- Replacement hinge pins...see page [29](#)
- Replacement quarter turn assemblies...see page [31](#)
- Thermostats...see page [397](#)
- Touch up paint...see page [455](#)
- UL/CSA approved hardware kit...see page [433](#)
- Padlock Adapter (EPA)...see page [434](#)

Eclipse Series - NEMA 4, 12

Single Door Enclosures

Industrial Enclosures
Wallmount Enclosures



Refer to part number and dimension chart on next page

Eclipse Series - NEMA 4, 12

Single Door Enclosures

Industrial Enclosures

Wallmount Enclosures

Part No. (ANSI 61 Gray)	Part No. (RAL7035 Light Gray)	Overall Dimensions			Door/ Body Gauge	Latches		Opt. Panel Part No.	Panel Size		# Hinges	F	Ship Wt. Lbs.
		A	B	C		Qty	Type		D	E			
EN4SD12126GY	EN4SD12126LG	12	12	6	16	1	Qtr Turn	EP1212	10.2	10.2	2	6	12
EN4SD12246GY	EN4SD12246LG	12	24	6	16	1	Qtr Turn	EP1224	10.2	22.2	2	18	24
EN4SD16126GY	EN4SD16126LG	16	12	6	16	1	Qtr Turn	EP1612	14.2	10.2	2	10	16
EN4SD16166GY	EN4SD16166LG	16	16	6	16	1	Qtr Turn	EP1616	14.2	14.2	2	10	19
EN4SD16206GY	EN4SD16206LG	16	20	6	16	1	Qtr Turn	EP1620	14.2	18.2	2	10	22
EN4SD20126GY	EN4SD20126LG	20	12	6	16	1	Qtr Turn	EP2012	18.2	10.2	2	14	20
EN4SD20166GY	EN4SD20166LG	20	16	6	16	1	Qtr Turn	EP2016	18.2	14.2	2	14	22
EN4SD20206GY	EN4SD20206LG	20	20	6	16	1	Qtr Turn	EP2020	18.2	18.2	2	14	26
EN4SD20246GY	EN4SD20246LG	20	24	6	16	1	Qtr Turn	EP2412	22.2	10.2	2	14	32
EN4SD24126GY	EN4SD24126LG	24	12	6	16	1	Qtr Turn	EP2412	22.2	10.2	2	18	24
EN4SD24166GY	EN4SD24166LG	24	16	6	16	1	Qtr Turn	EP2416	22.2	14.2	2	18	26
EN4SD24206GY	EN4SD24206LG	24	20	6	16	1	Qtr Turn	EP2420	22.2	18.2	2	18	30
EN4SD24246GY	EN4SD24246LG	24	24	6	14	2	Qtr Turn	EP2424	22.2	22.2	2	18	37
EN4SD30166GY	EN4SD30166LG	30	16	6	14	2	Qtr Turn	EP3016	28.2	14.2	3	12	35
EN4SD30206GY	EN4SD30206LG	30	20	6	14	2	Qtr Turn	EP3020	28.2	18.2	3	12	38
EN4SD30246GY	EN4SD30246LG	30	24	6	14	2	Qtr Turn	EP3024	28.2	22.2	3	12	40
EN4SD36246GY	EN4SD36246LG	36	24	6	14	2	Qtr Turn	EP3624	34.2	22.2	3	15	52
EN4SD36306GY	EN4SD36306LG	36	30	6	14	2	Qtr Turn	EP3630	34.2	28.2	3	15	60
EN4SD12248GY	EN4SD12248LG	12	24	8	16	1	Qtr Turn	EP1224	10.2	22.2	2	6	25
EN4SD16128GY	EN4SD16128LG	16	12	8	16	1	Qtr Turn	EP1612	14.2	10.2	2	10	16
EN4SD16168GY	EN4SD16168LG	16	16	8	16	1	Qtr Turn	EP1616	14.2	14.2	2	10	21
EN4SD16208GY	EN4SD16208LG	16	20	8	16	1	Qtr Turn	EP1620	14.2	18.2	2	10	25
EN4SD20128GY	EN4SD20128LG	20	12	8	16	1	Qtr Turn	EP2012	18.2	10.2	2	14	22
EN4SD20168GY	EN4SD20168LG	20	16	8	16	1	Qtr Turn	EP2016	18.2	14.2	2	14	25
EN4SD20208GY	EN4SD20208LG	20	20	8	16	1	Qtr Turn	EP2020	18.2	18.2	2	14	28
EN4SD20248GY	EN4SD20248LG	20	24	8	16	1	Qtr Turn	EP2024	18.2	22.2	2	14	32
EN4SD24128GY	EN4SD24128LG	24	12	8	16	1	Qtr Turn	EP2412	22.2	10.2	2	18	25
EN4SD24168GY	EN4SD24168LG	24	16	8	16	1	Qtr Turn	EP2416	22.2	14.2	2	18	26
EN4SD24208GY	EN4SD24208LG	24	20	8	16	1	Qtr Turn	EP2420	22.2	18.2	2	18	32
EN4SD24248GY	EN4SD24248LG	24	24	8	14	2	Qtr Turn	EP2424	22.2	22.2	2	18	40
EN4SD24308GY	EN4SD24308LG	24	30	8	14	2	Qtr Turn	EP2430	22.2	28.2	2	18	48
EN4SD30128GY	EN4SD30128LG	30	12	8	14	2	Qtr Turn	EP3012	28.2	10.2	3	12	34
EN4SD30168GY	EN4SD30168LG	30	16	8	14	2	Qtr Turn	EP3016	28.2	14.2	3	12	40
EN4SD30208GY	EN4SD30208LG	30	20	8	14	2	Qtr Turn	EP3020	28.2	18.2	3	12	42
EN4SD30248GY	EN4SD30248LG	30	24	8	14	2	Qtr Turn	EP3024	28.2	22.2	3	12	46
EN4SD30308GY	EN4SD30308LG	30	30	8	14	2	Qtr Turn	EP3030	28.2	28.2	3	12	67
EN4SD30368GY	EN4SD30368LG	30	36	8	14	2	Qtr Turn	EP3036	28.2	34.2	3	12	77
EN4SD36248GY	EN4SD36248LG	36	24	8	14	2	Qtr Turn	EP3624	34.2	22.2	3	15	55
EN4SD36308GY	EN4SD36308LG	36	30	8	14	2	Qtr Turn	EP3630	34.2	28.2	3	15	77
EN4SD36368GY	EN4SD36368LG	36	36	8	14	2	Qtr Turn	EP3636	34.2	34.2	3	15	94
EN4SD42248GY	EN4SD42248LG	42	24	8	14	1	3-point	EP4224	40.2	22.2	4	12	80
EN4SD42308GY	EN4SD42308LG	42	30	8	14	1	3-point	EP4230	40.2	28.2	4	12	95
EN4SD42368GY	EN4SD42368LG	42	36	8	14	1	3-point	EP4236	40.2	34.2	4	12	105
EN4SD48248GY	EN4SD48248LG	48	24	8	14	1	3-point	EP4824	46.2	22.2	4	14	110
EN4SD48308GY	EN4SD48308LG	48	30	8	14	1	3-point	EP4830	46.2	28.2	4	14	115
EN4SD48368GY	EN4SD48368LG	48	36	8	14	1	3-point	EP4836	46.2	34.2	4	14	120
EN4SD60368GY	EN4SD60368LG	60	36	8	14	1	3-point	EP6036	58.2	34.2	4	18	150
EN4SD161210GY	EN4SD161210LG	16	12	10	16	1	Qtr. Turn	EP1612	14.2	10.2	2	10	18
EN4SD161610GY	EN4SD161610LG	16	16	10	16	1	Qtr. Turn	EP1616	14.2	14.2	2	10	23
EN4SD162010GY	EN4SD162010LG	16	20	10	16	1	Qtr. Turn	EP1620	14.2	18.2	2	10	28
EN4SD201610GY	EN4SD201610LG	20	16	10	16	1	Qtr. Turn	EP2016	18.2	14.2	2	14	28
EN4SD202010GY	EN4SD202010LG	20	20	10	16	1	Qtr. Turn	EP2020	18.2	18.2	2	14	31
EN4SD202410GY	EN4SD202410LG	20	24	10	16	1	Qtr. Turn	EP2024	18.2	22.2	2	14	36
EN4SD241210GY	EN4SD241210LG	24	12	10	16	1	Qtr Turn	EP2412	22.2	10.2	2	18	26

 Technical references and CAD downloads available at www.hammondmfg.com

All dimensions in inches unless specified otherwise

Eclipse Series - NEMA 4, 12

Single Door Enclosures

Part No. (ANSI 61 Gray)	Part No. (RAL7035 Light Gray)	Overall Dimensions			Door/ Body Gauge	Latches		Opt. Panel Part No.	Panel Size		# Hinges	F	Ship Wt. Lbs.
		A	B	C		Qty	Type		D	E			
EN4SD241610GY	EN4SD241610LG	24	16	10	16	1	Qtr. Turn	EP2416	22.2	14.2	2	18	30
EN4SD242010GY	EN4SD242010LG	24	20	10	16	1	Qtr. Turn	EP2420	22.2	18.2	2	18	36
EN4SD242410GY	EN4SD242410LG	24	24	10	14	2	Qtr. Turn	EP2424	22.2	22.2	2	18	45
EN4SD243010GY	EN4SD243010LG	24	30	10	14	2	Qtr. Turn	EP2430	22.2	28.2	2	18	53
EN4SD302010GY	EN4SD302010LG	30	20	10	14	2	Qtr. Turn	EP3020	28.2	18.2	3	12	47
EN4SD302410GY	EN4SD302410LG	30	24	10	14	2	Qtr. Turn	EP3024	28.2	22.2	3	12	53
EN4SD303010GY	EN4SD303010LG	30	30	10	14	2	Qtr. Turn	EP3030	28.2	28.2	3	12	75
EN4SD362410GY	EN4SD362410LG	36	24	10	14	2	Qtr. Turn	EP3624	34.2	22.2	3	15	70
EN4SD363010GY	EN4SD363010LG	36	30	10	14	2	Qtr. Turn	EP3630	34.2	28.2	3	15	84
EN4SD363610GY	EN4SD363610LG	36	36	10	14	2	Qtr. Turn	EP3636	34.2	34.2	3	15	100
EN4SD423010GY	EN4SD423010LG	42	30	10	14	1	3-point	EP4230	40.2	28.2	4	12	107
EN4SD423610GY	EN4SD423610LG	42	36	10	14	1	3-point	EP4236	40.2	34.2	4	12	117
EN4SD482410GY	EN4SD482410LG	48	24	10	14	1	3-point	EP4824	46.2	22.2	4	14	95
EN4SD483010GY	EN4SD483010LG	48	30	10	14	1	3-point	EP4830	46.2	28.2	4	14	120
EN4SD483610GY	EN4SD483610LG	48	36	10	14	1	3-point	EP4836	46.2	34.2	4	14	125
EN4SD603610GY	EN4SD603610LG	60	36	10	14	1	3-point	EP6036	58.2	34.2	4	18	150
EN4SD201612GY	EN4SD201612LG	20	16	12	16	1	Qtr Turn	EP2016	18.2	14.2	2	14	32
EN4SD202012GY	EN4SD202012LG	20	20	12	16	1	Qtr Turn	EP2020	18.2	18.2	2	14	34
EN4SD242012GY	EN4SD242012LG	24	20	12	16	1	Qtr Turn	EP2420	22.2	18.2	2	18	38
EN4SD242412GY	EN4SD242412LG	24	24	12	14	2	Qtr Turn	EP2424	22.2	22.2	2	18	47
EN4SD302412GY	EN4SD302412LG	30	24	12	14	2	Qtr Turn	EP3024	28.2	22.2	3	12	57
EN4SD303012GY	EN4SD303012LG	30	30	12	14	2	Qtr Turn	EP3030	28.2	28.2	3	12	80
EN4SD362412GY	EN4SD362412LG	36	24	12	14	2	Qtr Turn	EP3624	34.2	22.2	3	15	62
EN4SD363012GY	EN4SD363012LG	36	30	12	14	2	Qtr Turn	EP3630	34.2	28.2	3	15	91
EN4SD363612GY	EN4SD363612LG	36	36	12	14	2	Qtr Turn	EP3636	34.2	34.2	3	15	104
EN4SD423012GY	EN4SD423012LG	42	30	12	14	1	3-point	EP4230	40.2	28.2	4	12	111
EN4SD423612GY	EN4SD423612LG	42	36	12	14	1	3-point	EP4236	40.2	34.2	4	12	121
EN4SD482412GY	EN4SD482412LG	48	24	12	14	1	3-point	EP4824	46.2	22.2	4	14	98
EN4SD483612GY	EN4SD483612LG	48	36	12	14	1	3-point	EP4836	46.2	34.2	4	14	148
EN4SD603612GY	EN4SD603612LG	60	36	12	14	1	3-point	EP6036	58.2	34.2	4	18	165
EN4SD723012GY	EN4SD723012LG	72	30	12	14	2	Qtr Turn, 5-point	EP7230	70.2	28.2	5	16.5	190
EN4SD723612GY	EN4SD723612LG	72	36	12	14	2	Qtr Turn, 5-point	EP7236	70.2	34.2	5	16.5	195
EN4SD242016GY	EN4SD242016LG	24	20	16	16	1	Qtr Turn	EP2420	22.2	18.2	2	18	52
EN4SD242416GY	EN4SD242416LG	24	24	16	14	2	Qtr Turn	EP2424	22.2	22.2	2	18	66
EN4SD302416GY	EN4SD302416LG	30	24	16	14	2	Qtr Turn	EP3024	28.2	22.2	3	12	85
EN4SD363016GY	EN4SD363016LG	36	30	16	14	2	Qtr Turn	EP3630	34.2	28.2	3	15	102
EN4SD423616GY	EN4SD423616LG	42	36	16	14	1	3-point	EP4236	40.2	34.2	4	12	140
EN4SD483616GY	EN4SD483616LG	48	36	16	14	1	3-point	EP4836	46.2	34.2	4	14	148
EN4SD603616GY	EN4SD603616LG	60	36	16	14	1	3-point	EP6036	58.2	34.2	4	18	200
EN4SD723016GY	EN4SD723016LG	72	30	16	14	2	Qtr Turn, 5-point	EP7230	70.2	28.2	5	16.5	215
EN4SD723616GY	EN4SD723616LG	72	36	16	14	2	Qtr Turn, 5-point	EP7236	70.2	34.2	5	16.5	217
EN4SD242420GY	EN4SD242420LG	24	24	20	14	2	Qtr Turn	EP2424	22.2	22.2	2	18	70
EN4SD302420GY	EN4SD302420LG	30	24	20	14	2	Qtr Turn	EP3024	28.2	22.2	3	12	82
EN4SD363020GY	EN4SD363020LG	36	30	20	14	2	Qtr Turn	EP3630	34.2	28.2	3	15	117
EN4SD483620GY	EN4SD483620LG	48	36	20	14	1	3-point	EP4836	46.2	34.2	4	14	165
EN4SD603620GY	EN4SD603620LG	60	36	20	14	1	3-point	EP6036	58.2	34.2	4	18	210
EN4SD723020GY	EN4SD723020LG	72	30	20	14	2	Qtr Turn, 5-point	EP7230	70.2	28.2	5	16.5	217
EN4SD302424GY	EN4SD302424LG	30	24	24	14	2	Qtr Turn	EP3024	28.2	22.2	3	12	115
EN4SD723024GY	EN4SD723024LG	72	30	24	14	2	Qtr Turn, 5-point	EP7230	70.2	28.2	5	16.5	220

 Technical references and CAD downloads available at www.hammondmfg.com

All dimensions in inches unless specified otherwise

Quality Products. Service Excellence.



Компания «ЭлектроПласт» предлагает заключение долгосрочных отношений при поставках импортных электронных компонентов на взаимовыгодных условиях!

Наши преимущества:

- Оперативные поставки широкого спектра электронных компонентов отечественного и импортного производства напрямую от производителей и с крупнейших мировых складов;
- Поставка более 17-ти миллионов наименований электронных компонентов;
- Поставка сложных, дефицитных, либо снятых с производства позиций;
- Оперативные сроки поставки под заказ (от 5 рабочих дней);
- Экспресс доставка в любую точку России;
- Техническая поддержка проекта, помощь в подборе аналогов, поставка прототипов;
- Система менеджмента качества сертифицирована по Международному стандарту ISO 9001;
- Лицензия ФСБ на осуществление работ с использованием сведений, составляющих государственную тайну;
- Поставка специализированных компонентов (Xilinx, Altera, Analog Devices, Intersil, Interpoint, Microsemi, Aeroflex, Peregrine, Syfer, Eurofarad, Texas Instrument, Miteq, Cobham, E2V, MA-COM, Hittite, Mini-Circuits, General Dynamics и др.);

Помимо этого, одним из направлений компании «ЭлектроПласт» является направление «Источники питания». Мы предлагаем Вам помощь Конструкторского отдела:

- Подбор оптимального решения, техническое обоснование при выборе компонента;
- Подбор аналогов;
- Консультации по применению компонента;
- Поставка образцов и прототипов;
- Техническая поддержка проекта;
- Защита от снятия компонента с производства.



Как с нами связаться

Телефон: 8 (812) 309 58 32 (многоканальный)

Факс: 8 (812) 320-02-42

Электронная почта: org@eplast1.ru

Адрес: 198099, г. Санкт-Петербург, ул. Калинина, дом 2, корпус 4, литера А.