

SERIES 62F 1/2" Package, Lighted Shaft

FEATURES

- Integrated Self-Lighting System for Knob Illumination
- 1 Million Rotational Cycles
- 1/2" Package
- Compatible with CMOS, TTL and HCMOS Logic
- Optional Integral Pushbutton
- Choices of Cable Length and Terminations
- Customized Solutions Available

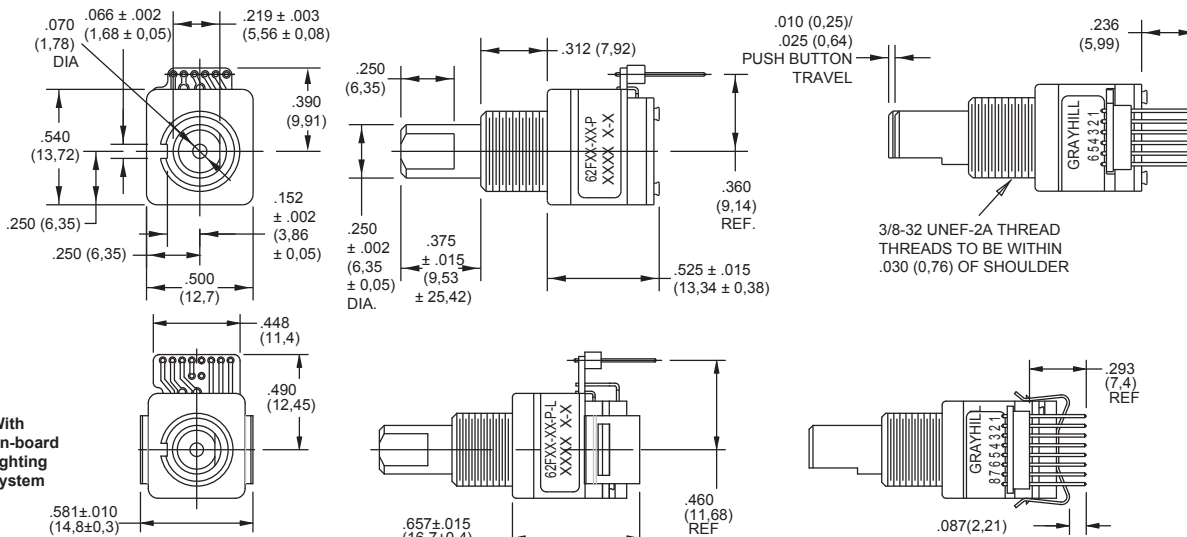
APPLICATIONS

- Global Positioning/Driver Information Systems
- Medical Equipment
- Cockpit Controls
- Mixing Boards

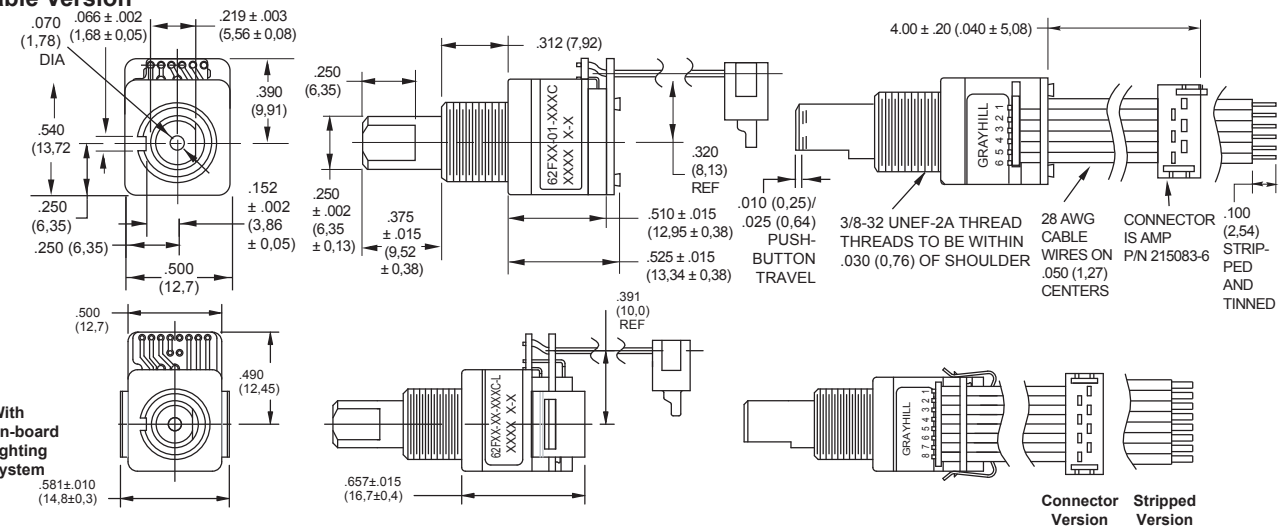


DIMENSIONS in inches (and millimeters)

Pin Version



Cable Version



Unless otherwise specified, standard tolerance is ± 0.10 (0,25).

CIRCUITRY, TRUTH TABLE, AND WAVEFORM Standard Quadrature 2-Bit Code

Position	Output A	Output B
1		
2	•	
3	•	•
4		•

• Indicates logic high; blank indicates logic low. Code repeats every 4 positions.

SPECIFICATIONS

Pushbutton Switch Ratings

- Rating:** 5 Vdc, 10 mA, resistive
- Contact Resistance:** less than 10 ohms (TTL or CMOS compatible)
- Pushbutton Life:** 3 million actuations minimum
- Contact Bounce:** less than 4 mS at make and less than 10 mS at break
- Actuation Force:** 1000 ± 300 grams
- Pushbutton Travel:** .010/.025 inch

Switch Ratings

- Coding:** 2-bit quadrature coded output
- Operating Voltage:** 5.0 ± .25 Vdc
- Voltage Breakdown:** 250 Vac between mutually insulated parts
- Supply Current:** 30 mA maximum
- Logic Output Characteristics:**
 - Logic High:** 3.8 Vdc minimum
 - Logic Low:** 0.8 Vdc maximum
- Rotational Life:** 1,000,000 cycles minimum (One cycle is a rotation through all positions and a full return)
- Minimum Sink Current:** 2.0 mA
- Power Consumption:** 150mW maximum
- Optical Rise and Fall Times:** less than 30 mS maximum

Operating Torque:

- Detent: 2.0 ± 1.4 in-oz initially
- Non-detent: less than 1.5 in-oz initially
- Shaft Push Out Force:** 45 lbs minimum
- Mounting Torque:** 15 in-lbs maximum
- Terminal Strength:** 15 lbs cable pull-out force minimum
- Operating Speed:** 100 RPM maximum
- Axial Shaft Play:** .010 maximum

Environmental Ratings

- Operating Temperature Range:** -40°C to 85°C
- Storage Temperature Range:** -55°C to 100°C
- Relative Humidity:** 90–95% at 40°C for 96 hours
- Vibration Resistance:** Harmonic motion with amplitude of 15G's, within a varied 10 to 2000 Hz frequency for 12 hours per MIL-STD-202, Method 204
- Mechanical Shock:** Test 1: 100G for 6 mS, half sine, 12.3 ft/s; Test 2: 100G for 6 mS, sawtooth, 9.7 ft/s

Materials and Finishes

- Code Housing:** Reinforced thermoplastic

Shaft: Aluminum

- Bushing:** Zinc casting
- Shaft Retaining Ring:** Stainless steel
- Detent Spring:** Stainless steel
- Printed Circuit Boards:** NEMA grade FR-4 gold over nickel or palladium
- Terminals:** Brass, tin-plated
- Mounting Hardware:** One brass, nickel-plated nut and zinc-plated spring steel with clear trivalent chromate finish lockwasher supplied with each switch. (Nut is 0.094 inches thick by 0.433 inches across flats)
- Rotor:** Thermoplastic
- Code Housing:** Thermoplastic
- Pushbutton Dome:** Stainless steel
- Dome Retaining Disk:** Thermoplastic
- Pushbutton Housing:** Thermoplastic
- Phototransistor:** Planar Silicon NPN
- Pushbutton Contact:** Brass, nickel-plated
- Flex Cable:** 28 AWG, stranded/top coated wire, PVC coated on .050 or .100" centers (cabled version)
- Header Pins:** Phosphor bronze, tin-plated
- Spacer:** ABS
- Backplate/Strain Relief:** Stainless steel
- Light Pipe:** Thermoplastic
- LED Housing:** Thermoplastic

ORDERING INFORMATION

62F22-01-040S-L

Series	Series
Angle of Throw: Detent	Non-detent
11 = 11.25° or 32 pos.	01 = 11.25° or 32 positions
15 = 15° or 24 positions	05 = 15° or 24 positions
18 = 18° or 20 pos.	08 = 18° or 20 positions
22 = 22.5° or 16 positions	02 = 22.5° or 16 positions

Pushbutton Option: 01 = w/o pushbutton, 02 = with pushbutton

LED: blank = no LED, L = supplied with LED

Termination: S = Stripped cable; S-L = Stripped cable, LED; C = Connector; C-L = Connector, LED; P = Pin; P-L = Pin, LED

Cable Termination: 040 = 4.0in. Cable is terminated with Amp P/N 215083-6. See Amp Mateability guide for mating connector details.

*Eliminate cable length if ordering pins. (Ex: 62A22-02-P)

Custom materials, styles, colors, and markings are available. Control knobs available.

Available from your local Grayhill Component Distributor. For prices and discounts, contact a local Sales Office, an authorized local Distributor, or Grayhill.



Компания «ЭлектроПласт» предлагает заключение долгосрочных отношений при поставках импортных электронных компонентов на взаимовыгодных условиях!

Наши преимущества:

- Оперативные поставки широкого спектра электронных компонентов отечественного и импортного производства напрямую от производителей и с крупнейших мировых складов;
- Поставка более 17-ти миллионов наименований электронных компонентов;
- Поставка сложных, дефицитных, либо снятых с производства позиций;
- Оперативные сроки поставки под заказ (от 5 рабочих дней);
- Экспресс доставка в любую точку России;
- Техническая поддержка проекта, помощь в подборе аналогов, поставка прототипов;
- Система менеджмента качества сертифицирована по Международному стандарту ISO 9001;
- Лицензия ФСБ на осуществление работ с использованием сведений, составляющих государственную тайну;
- Поставка специализированных компонентов (Xilinx, Altera, Analog Devices, Intersil, Interpoint, Microsemi, Aeroflex, Peregrine, Syfer, Eurofarad, Texas Instrument, Miteq, Cobham, E2V, MA-COM, Hittite, Mini-Circuits, General Dynamics и др.);

Помимо этого, одним из направлений компании «ЭлектроПласт» является направление «Источники питания». Мы предлагаем Вам помощь Конструкторского отдела:

- Подбор оптимального решения, техническое обоснование при выборе компонента;
- Подбор аналогов;
- Консультации по применению компонента;
- Поставка образцов и прототипов;
- Техническая поддержка проекта;
- Защита от снятия компонента с производства.



Как с нами связаться

Телефон: 8 (812) 309 58 32 (многоканальный)

Факс: 8 (812) 320-02-42

Электронная почта: org@eplast1.ru

Адрес: 198099, г. Санкт-Петербург, ул. Калинина, дом 2, корпус 4, литера А.