



## ATHD Connector Series

The heavy duty ATHD connector series for size 12 and size 8 power contacts are sealed, single pole, in-line connection systems to replace splices and/or provide power wherever needed. These thermoplastic connectors are field installable and repairable and can thus replace expensive and unrepairable splices. The power connectors are ruggedized and designed for high vibration applications in the Heavy Equipment and Mining markets.

Additional styles and custom solutions to mate to the ATHD plugs are available upon request, including higher temperature resin and seals for harsh fluid applications.

### Features:

- Size 8 crimp contacts are rated to 70 amps\*
- Size 12 crimp contacts are rated to 35 amps\*
- Both will meet 100 mating cycles
- Designed for temperatures of -55 °C to 125 °C
- Operating voltage of 500 VAC
- Dielectric withstanding voltage of 1500 VAC
- RoHS compliant
- Clip slots for a variety of mounting solutions
- IP67 rated

\* Using Amphenol's exclusive RADSOK® technology



## SPECIFICATIONS

	Size 12 System	Size 8 System
<b>Current Rating</b>	35A with RADSOK®, 25A with standard contacts	70A with RADSOK®, and 60A with standard contacts
<b>Contact Quantity</b>	1	1
<b>Contact Size</b>	12 AWG	8 AWG
<b>Operating Temperature</b>	-55 °C to 125 °C with 150°C upon request	-55 °C to 125 °C with 150°C upon request
<b>Contact Retention</b>	133N	156N
<b>Mating Cycles</b>	100	100
<b>Insulation Resistance</b>	1000MΩ Min. (at 25 °C)	1000MΩ Min. (at 25 °C)
<b>Dielectric Withstanding Voltage</b>	1500 AC (RMS)	1500 AC (RMS)
<b>Moisture Resistance</b>	IP67 (mated)	IP67 (mated)
<b>Operating Voltage</b>	500 VAC	500 VAC
<b>Allowable Wire Size</b>	16-12 AWG	10-8 AWG

## PART NUMBERS FOR TERMINALS

**ATHD - 1 P - N - S - 12 (XX)**


Series      One Terminal      P=Pin  
S=Socket

Plating =  
G = Gold  
S = Silver  
(Machined only)  
N = Nickel  
T = Tin

Size (8 or 12)

Special Additions:  
(16) for 16 Gauge Cable (Size 12 only)  
(R) for Radsok (Machined only)

S = Stamped & Formed  
(Size 12 only)  
M = Machined



**ATHD size 12  
with Stamps and Formed Contacts**

## PART NUMBERS FOR PLASTIC

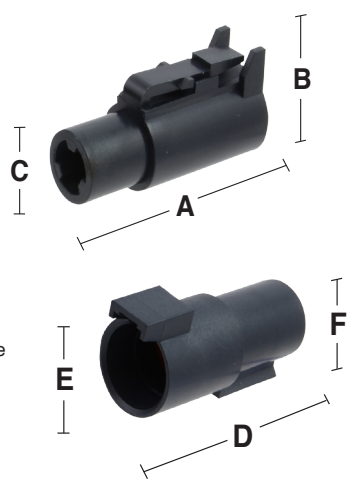
Note: Housing Plug must use the Socket terminal (PS) and Housing Receptacle must use Pin terminal (RP).

**ATHD - 1 PS - 12 (XX)**

Series      One Terminal      Contact Size (8 or 12)

Housing +Terminal = (PS for Plug with  
Socket or RP for Receptacle with Pin)

Special Additions:  
(16) for 16 Gauge Cable



A, B, C, D, E, F

	Size 12 System for 12 gauge cable	Size 12 System for 16 gauge cable	Size 8 System
<b>Plug</b>	ATHD-1PS-12	ATHD-1PS-12 (16)	ATHD-1PS-8
<b>Receptacle</b>	ATHD-1RP-12	ATHD-1RP-12 (16)	ATHD-1RP-8

CONTACT SIZE	ATHD PLUG			ATHD RECEPTACLE		
	OVERALL LENGTH A	OVERALL HEIGHT B	OVERALL WIDTH C	OVERALL LENGTH D	OVERALL HEIGHT E	OVERALL WIDTH F
<b>12</b>	1.498(38.05)	.771(19.58)	.570(14.48)	2.073(52.65)	.850(21.59)	.710(18.08)
<b>8</b>	1.498(38.05)	.861(21.87)	.660(16.76)	2.073(52.65)	.940(23.88)	.800(20.32)

Notice: Specifications are subject to change without notice. Contact your nearest Amphenol Corporation Sales Office for the latest specifications. All statements, information and data given herein are believed to be accurate and reliable but are presented without guarantee, warranty, or responsibility of any kind, expressed or implied. Statements of suggestions concerning possible use of our products are made without representation or warranty that any such use is free of patent infringement and are not recommendations to infringe any patent. The user should assume that all safety measures are indicated or that other measures may not be required. Specifications are typical and may not apply to all connectors.

For further information on your individual application requirements, contact: Amphenol Corporation

North America:  
Amphenol Industrial Operations  
180 N. Freepoint Drive, Plant 4  
Nogales, AZ 85621  
Tel: (888) 364-9011  
Fax: (520) 285-5134

Europe:  
Amphenol Industrial Operations Europe  
Via Barbaiana 5  
1-20020 Lainate (MI) Italy  
Tel: +39 02 93254.204  
Fax: +39 02 93254.444

Middle East:  
Amphenol Middle East Enterprises FZE  
Office C-37 PO Box 21107  
Ajman Free Zone, UAE  
Tel: +9 716-7422494  
Fax: +9 716-7422941

Asia:  
Amphenol Technology (Zhuhai) Co., Ltd.  
No. 63 Xing Han Road, San Zao Town  
Jin Wan District, Zhuhai City, China 519040  
Tel: +86 756-3989760  
Fax: +86 756-3989768

Email: tech@amphenol-aio.com

Email: info@amphenol-aio.com

Email: jhussain@amphenol-industrial.com

Email: enquiry@amphenol-aio.com



Компания «ЭлектроПласт» предлагает заключение долгосрочных отношений при поставках импортных электронных компонентов на взаимовыгодных условиях!

Наши преимущества:

- Оперативные поставки широкого спектра электронных компонентов отечественного и импортного производства напрямую от производителей и с крупнейших мировых складов;
- Поставка более 17-ти миллионов наименований электронных компонентов;
- Поставка сложных, дефицитных, либо снятых с производства позиций;
- Оперативные сроки поставки под заказ (от 5 рабочих дней);
- Экспресс доставка в любую точку России;
- Техническая поддержка проекта, помощь в подборе аналогов, поставка прототипов;
- Система менеджмента качества сертифицирована по Международному стандарту ISO 9001;
- Лицензия ФСБ на осуществление работ с использованием сведений, составляющих государственную тайну;
- Поставка специализированных компонентов (Xilinx, Altera, Analog Devices, Intersil, Interpoint, Microsemi, Aeroflex, Peregrine, Syfer, Eurofarad, Texas Instrument, Miteq, Cobham, E2V, MA-COM, Hittite, Mini-Circuits, General Dynamics и др.);

Помимо этого, одним из направлений компании «ЭлектроПласт» является направление «Источники питания». Мы предлагаем Вам помощь Конструкторского отдела:

- Подбор оптимального решения, техническое обоснование при выборе компонента;
- Подбор аналогов;
- Консультации по применению компонента;
- Поставка образцов и прототипов;
- Техническая поддержка проекта;
- Защита от снятия компонента с производства.



#### Как с нами связаться

**Телефон:** 8 (812) 309 58 32 (многоканальный)

**Факс:** 8 (812) 320-02-42

**Электронная почта:** [org@eplast1.ru](mailto:org@eplast1.ru)

**Адрес:** 198099, г. Санкт-Петербург, ул. Калинина, дом 2, корпус 4, литера А.