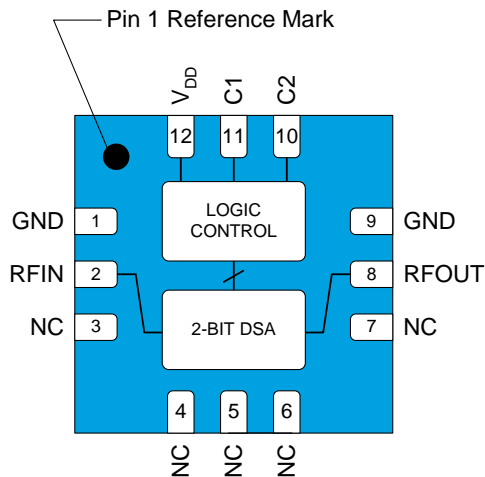


Product Description

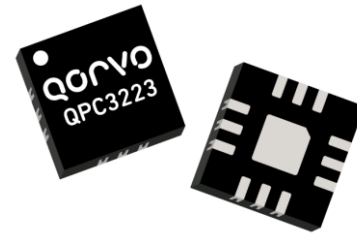
The QPC3223 is a 2-bit digital step attenuator (DSA) that features high linearity over the entire 18 dB gain control range in 6 dB steps. The QPC3223 uses a parallel control interface and has a low insertion loss of 0.8 dB at 2 GHz. The patented circuit architecture provides overshoot-free transient switching performance using a single +3 V to +5 V power supply.

The QPC3223 is available in an industry standard 12 pad 3 mm x 3 mm QFN package that is lead-free and RoHS-compliant

Functional Block Diagram



Top View



12 Pad 3.0 mm x 3.0 mm QFN package

Product Features

- Frequency Range 50 MHz to 6000 MHz
- 2-Bit, 18 dB Range, 6 dB Step
- Overshoot-free Transient Switching Performance
- High Linearity, Input IP3 > +55 dBm
- Parallel Control Interface
- Fast Switching Speed, 80 nsec Typical
- Single Supply +3 V to +5 V Operation
- 1.8V Logic Compatible
- RF Pins Have No DC Voltage, Can be DC Grounded Externally
- Patented Circuit Architecture
- Power-up Default Setting Is Maximum Attenuation

Applications

- 2G through 4G Base Stations
- Point-to-Point
- Wi-Fi
- Test Equipment

Ordering Information

| Part No. | Description |
|---------------|---------------------------------------|
| QPC3223TR7 | 2500 pieces on a 7" reel |
| QPC3223PCK401 | 50 – 6000 MHz PCBA w/5-pc. sample bag |

Absolute Maximum Ratings

| Parameter | Rating |
|----------------------------------------------------------------------------------------------|----------------|
| Storage Temperature | -40 to +150 °C |
| Supply Voltage (V _{DD}) | -0.5 to +6.0 V |
| All Other DC and Logic Pins (Supply Voltage Must Be Applied Prior to Any Other Pin Voltages) | -0.5 to +6.0 V |
| Input Power (RFIN Pin, +85°C Case Temp.) | +30 dBm |
| Input Power (RFIN Pin, +105°C Case Temp.) | +27 dBm |
| Input Power (RFOUT Pin, +85°C Case Temp.) | +27 dBm |
| Input Power (RFOUT Pin, +105°C Case Temp.) | +24 dBm |

Exceeding any one or a combination of the Absolute Maximum Rating conditions may cause permanent damage to the device. Extended application of Absolute Maximum Rating conditions to the device may reduce device reliability.

Recommended Operating Conditions

| Parameter | Min | Typ | Max | Units |
|-----------------------------------|------|-----|------|-------|
| Supply Voltage (V _{DD}) | +2.7 | | +5.5 | V |
| Case Temperature | -40 | | +105 | °C |
| Operating Junction Temp. | | | +125 | °C |

Electrical specifications are measured at specified test conditions. Specifications are not guaranteed over all recommended operating conditions.

Electrical Specifications

| Parameter | Conditions | Min | Typ | Max | Units |
|---------------------------------|--------------------------------------------------------------------------------------|--------------------------------|-----|------|-------|
| Frequency Range | | 50 | | 6000 | MHz |
| Insertion Loss | 2000 MHz, 0 dB Attenuation Setting | | 0.8 | | dB |
| Attenuation Range | 0.25 dB step size | | 18 | | dB |
| Attenuation Step | | | 6 | | dB |
| Attenuation Accuracy | | ± (0.2 + 4% of Atten. Setting) | | | dB |
| Input IP3 | | | +55 | | dBm |
| Input P0.1dB | | | +30 | | dBm |
| RF Input Power at RFIN Pin | Continuous operation at +85 °C case temperature | | | +27 | dBm |
| | Continuous operation at +105 °C case temperature | | | +24 | dBm |
| RF Input Power at RFOUT Pin | Continuous operation at +85 °C case temperature | | | +20 | dBm |
| | Continuous operation at +105 °C case temperature | | | +17 | dBm |
| Return Loss | | | 15 | | dB |
| Input and Output Impedance | | | 50 | | Ω |
| Switching Speed | 50% CTL to 10% / 90% RF | | 80 | | ns |
| Supply Current, I _{DD} | Steady state operation, current draw during attenuation state transitions is higher. | | 180 | | μA |
| Thermal Resistance | At maximum attenuation state with RF power applied to the RFIN pin | | 62 | | °C/W |

Notes:

1. Test conditions unless otherwise noted: V_{DD}=+5 V, Temp= +25 °C, Freq.=2000 MHz, 50 Ω system,

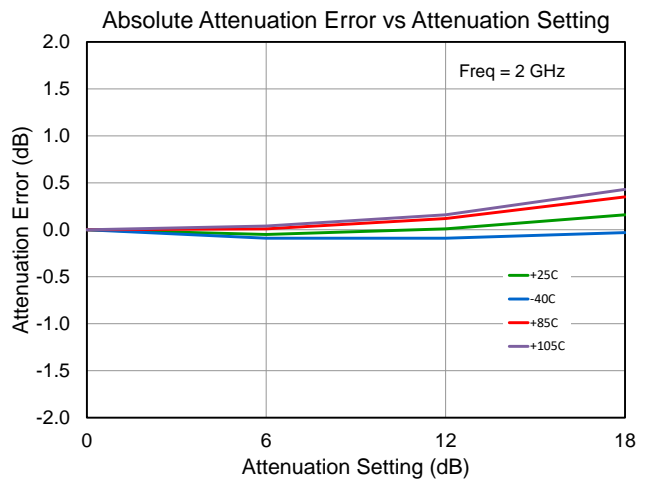
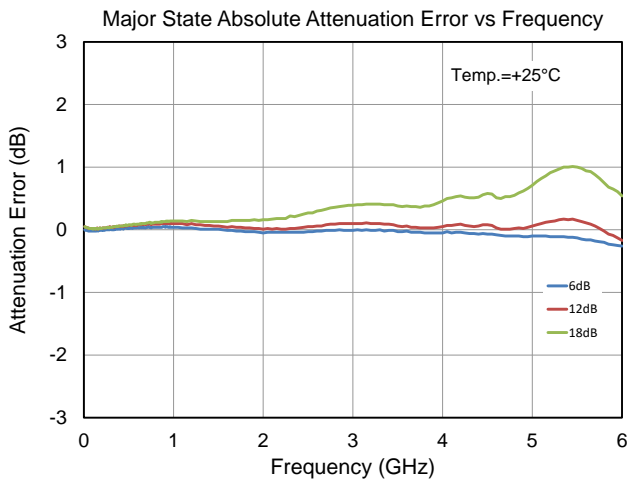
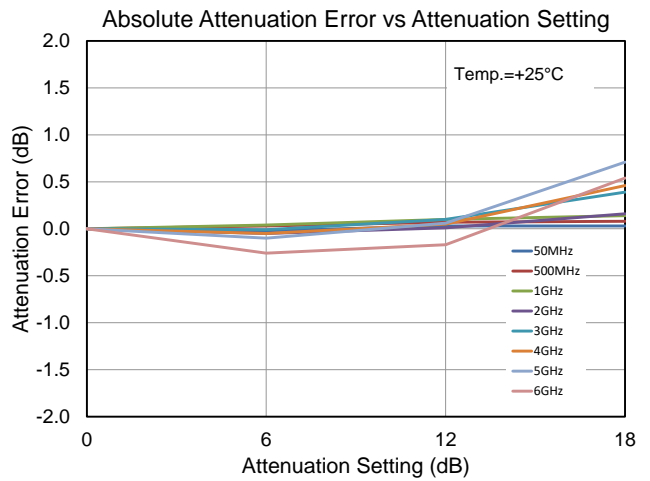
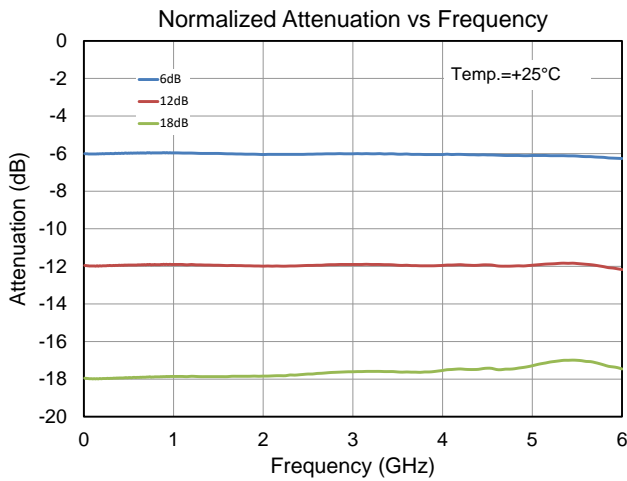
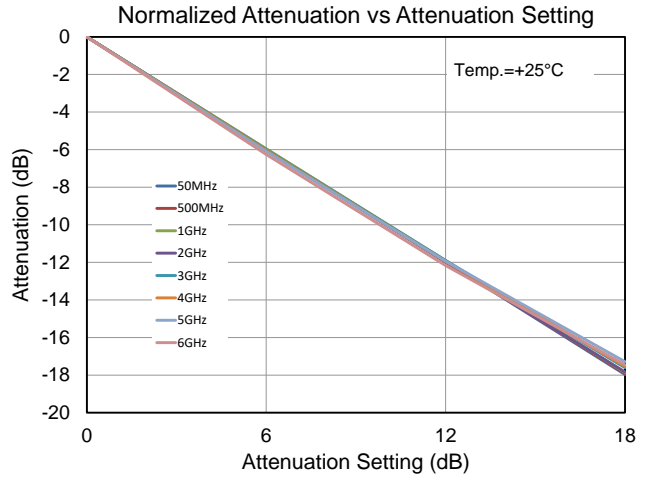
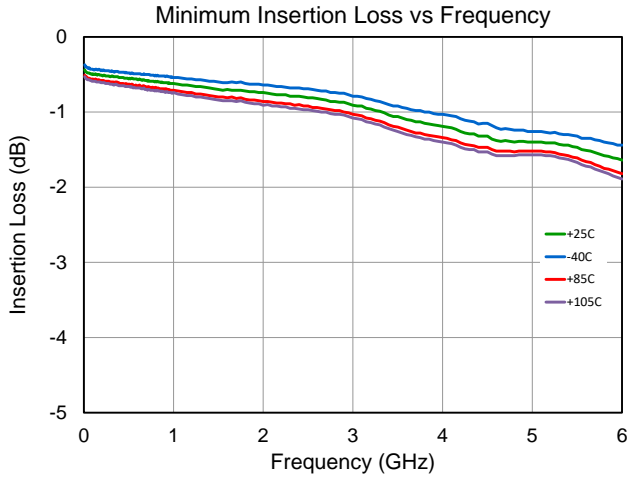
Control Logic Requirements

| Parameter | Conditions | Min | Typ | Max | Units |
|--------------------------|------------|-------|-----|-----------------|-------|
| Low State Input Voltage | | -0.2 | | +0.63 | V |
| High State Input Voltage | | +1.17 | | V _{DD} | V |

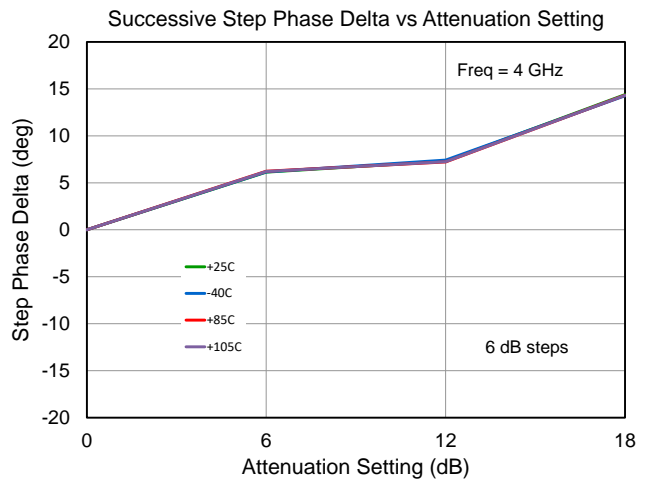
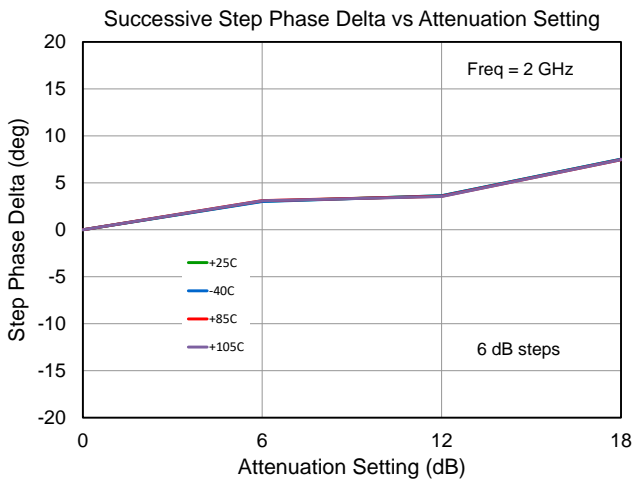
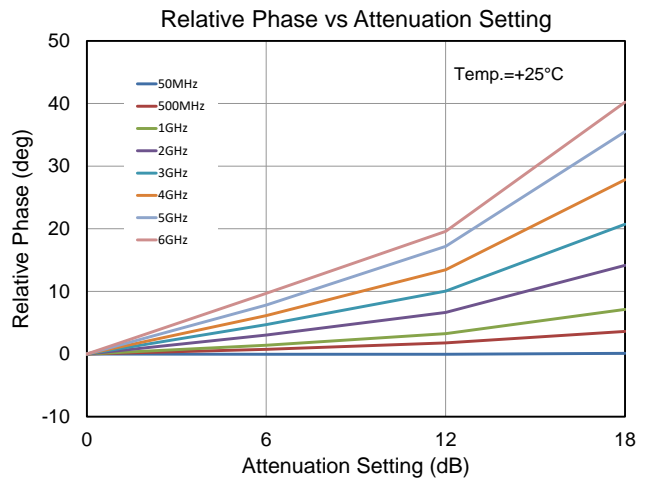
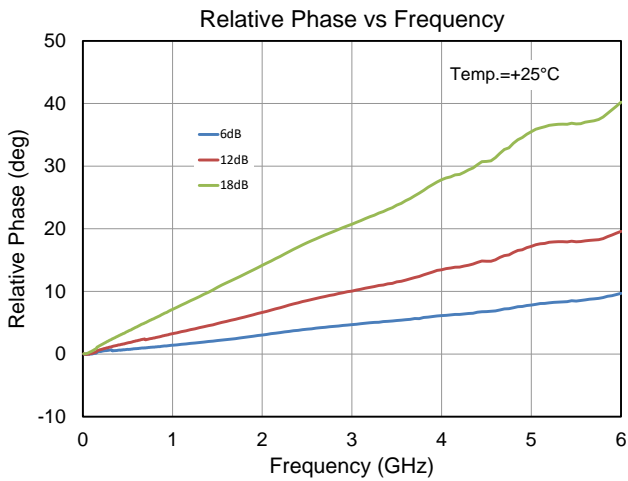
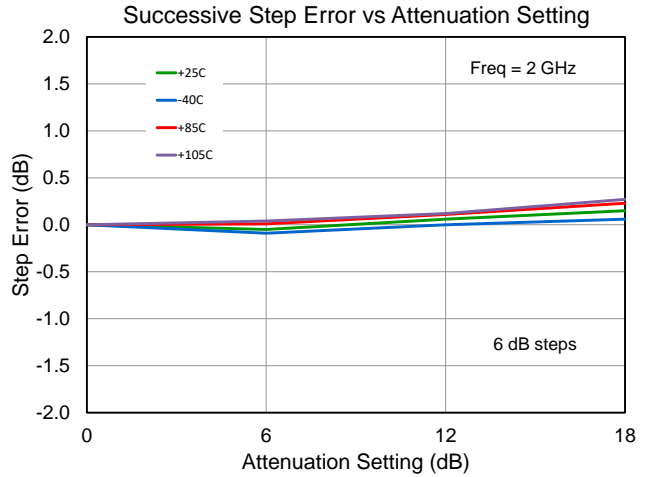
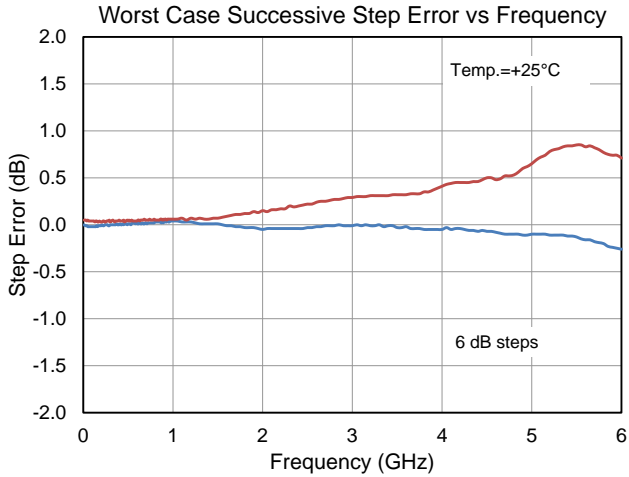
Notes:

1. Test conditions unless otherwise noted: V_{DD}=+5 V, Temp= +25 °C, Freq.=2000 MHz, 50 Ω system,

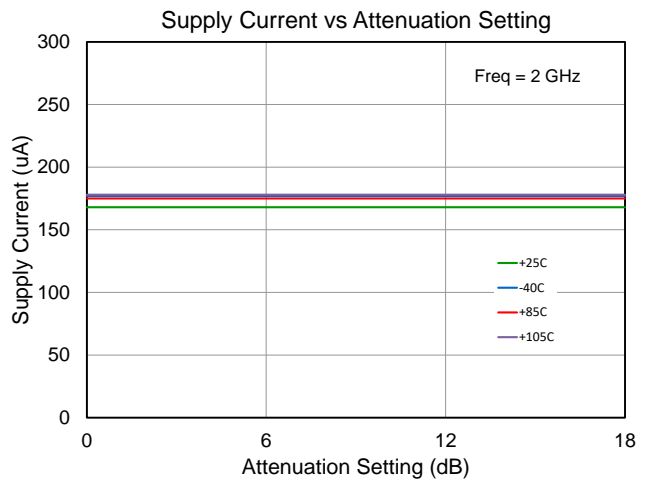
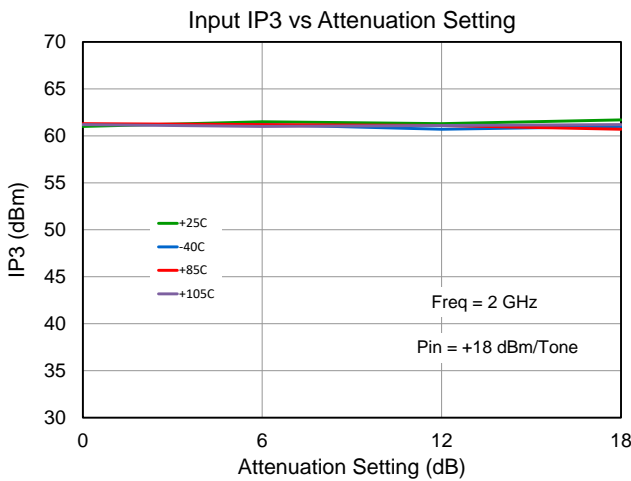
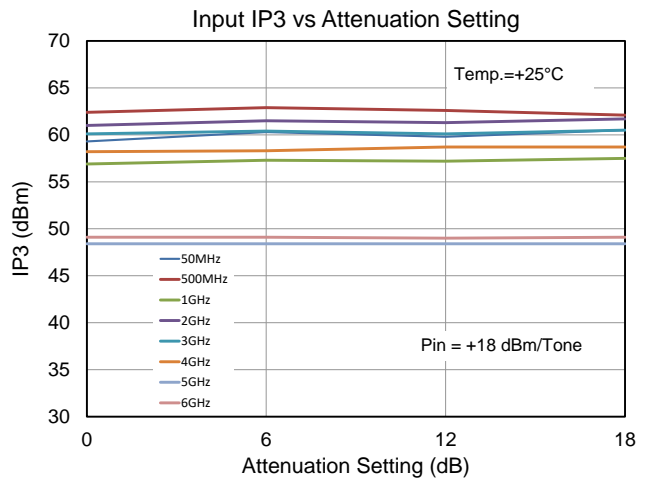
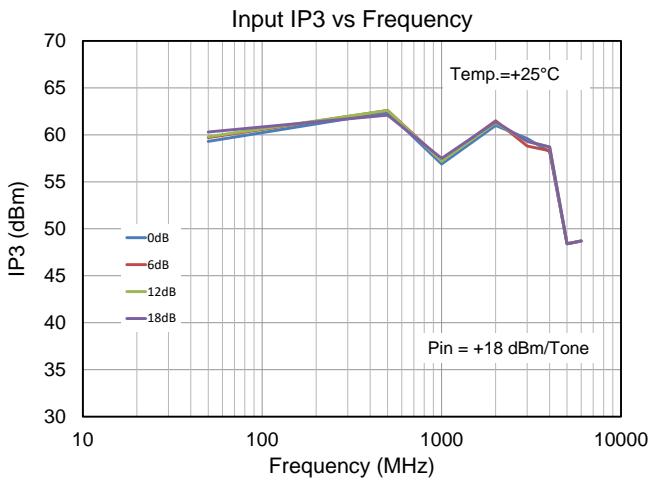
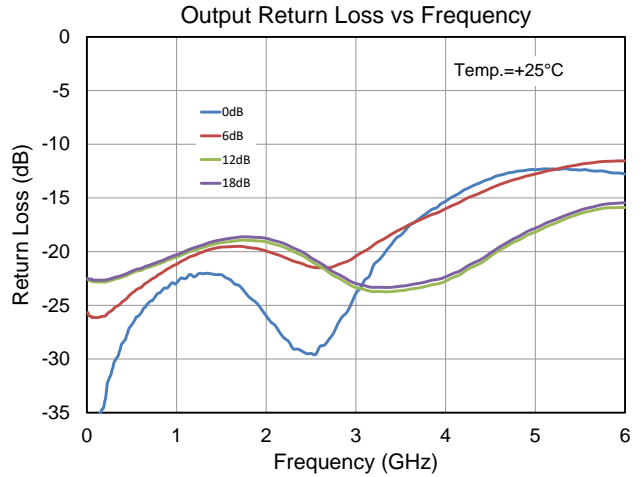
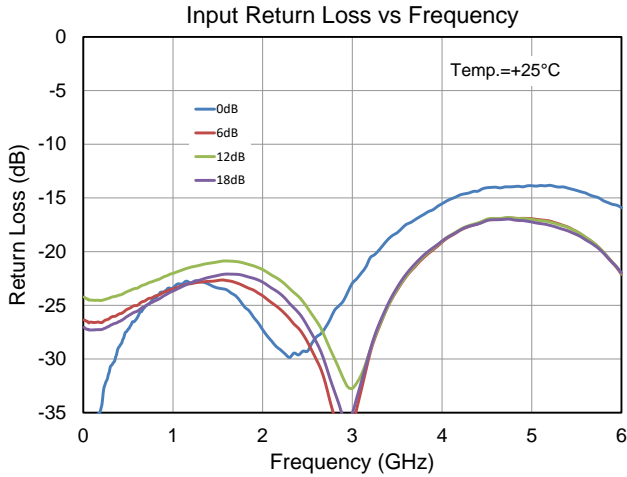
Typical Performance Plots



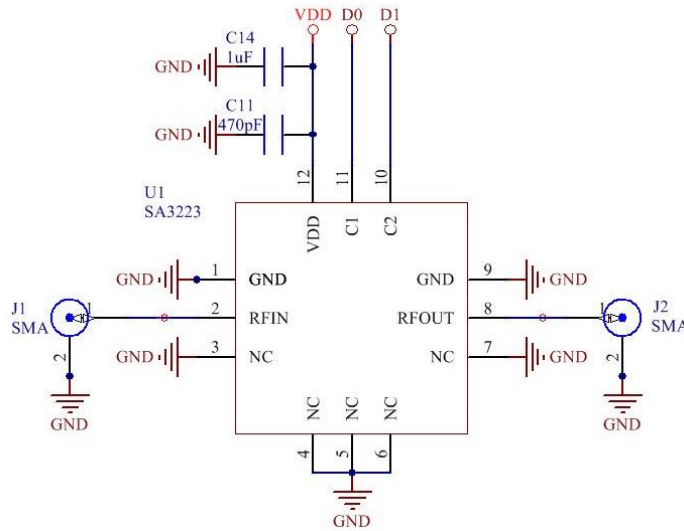
Typical Performance Plots



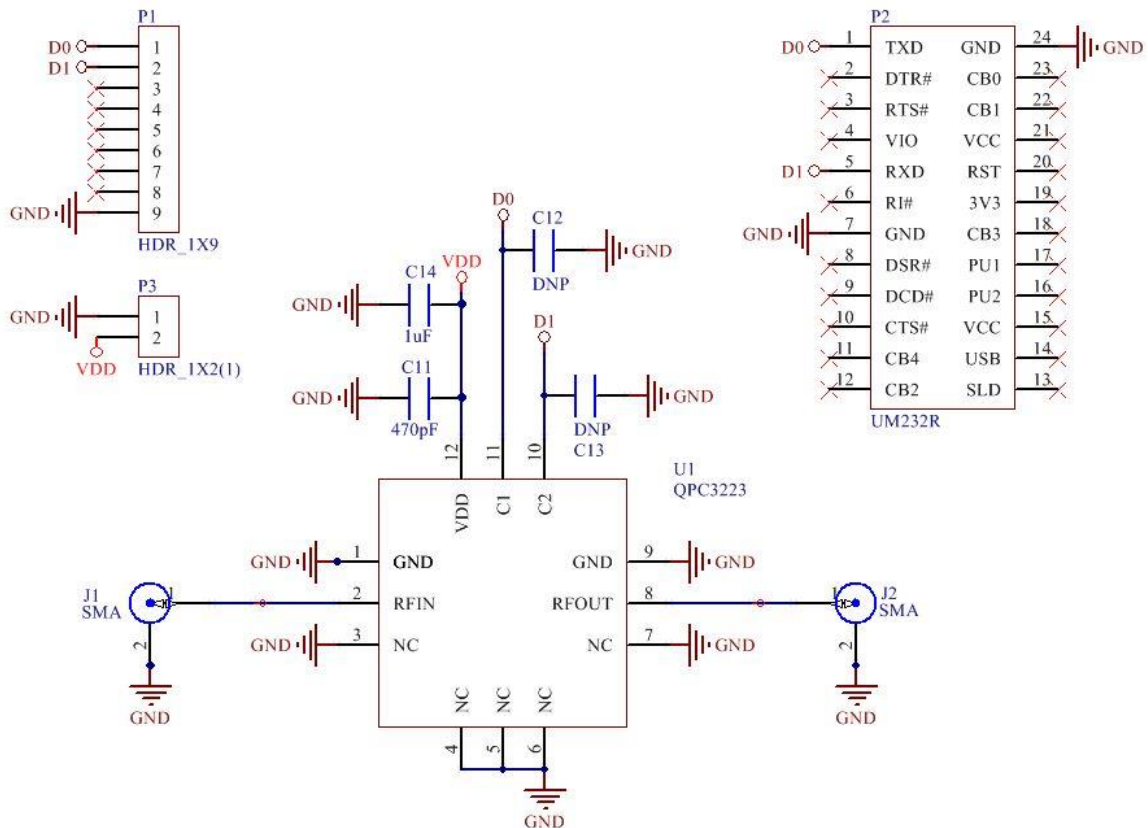
Typical Performance Plots



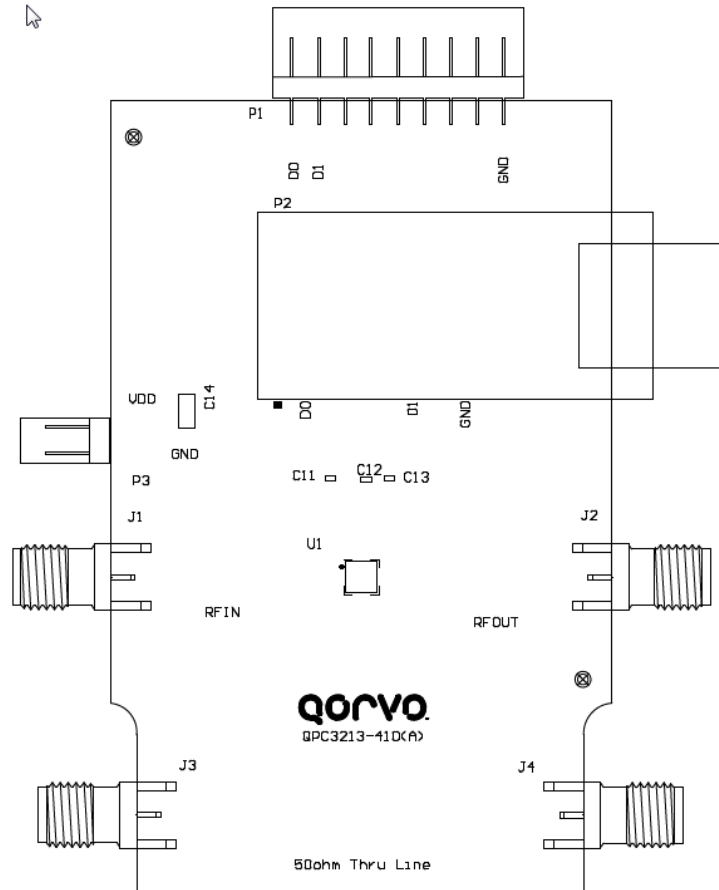
Typical Application Schematic – 50 MHz to 6000 MHz



Evaluation Board Schematic – 50 MHz to 6000 MHz



Evaluation Board Assembly Drawing



Bill of Material – Evaluation Board

| Reference Des. | Value | Description | Manufacturer | Part Number |
|----------------|-----------|-------------------------------------------|------------------------|--------------------|
| N/A | N/A | Printed Circuit Board | Qorvo | QPC3213-410(A) |
| U1 | N/A | Digital Step Attenuator, 50MHz to 6000MHz | Qorvo | QPC3223SB |
| C14 | 1 μ F | CAP, 1 μ F, 10%, 25V, X7R, 1206 | Taiyo Yuden | CE TMK316BJ105KL-T |
| J1-J4 | N/A | CONN, SMA, END LNCH, UNIV, HYB MNT, FLT | Molex | SD-73251-4000 |
| P3 | N/A | CONN, HDR, ST, PLRZD, 2-PIN, 0.100" | ITW Pancon | MPSS100-2-C |
| P2 | N/A | CONN, SKT, 24-PIN DIP, 0.600", T/H | Aries Electronics Inc. | 24-6518-10 |
| P1 | N/A | CONN, HDR, ST, 9-PIN, 0.100", T/H | Samtec Inc. | TSW-109-07-G-S |
| M1 (See Note) | N/A | MOD, USB TO SERIAL UART, SSOP-28 | Future Technology | UM232R |
| C11 | 470 pF | CAP, 470pF, 5%, 50V, C0G, 0402 | Murata Electronics | GRM1555C1H471JA01D |
| C12-C13 | N/A | DNP | N/A | N/A |

Notes:

1. M1 should be mounted into P2 with respect to the Pin 1 alignment of M1 and P2.

Evaluation Board Programming Using USB Interface

Parallel Mode

Refer to the Control Bit Generator (CBG) Software Reference Manual for detailed instructions on how to setup the software for use. Apply the supply voltage to P3. Select 'QPC3223' from the Parts List of the CBG user interface. Set the attenuation value using the CBG user interface. The attenuator is set to the desired state and measurements can be taken.

Evaluation Board Programming Using External Bus

Parallel Mode

This configuration allows the user to control the attenuator through the P1 connector using an external harness. Remove the USB interface if it is currently installed on the evaluation board. Connect a user-supplied harness to the P1 connector. The parallel bus signal names for P1 are indicated on the evaluation board. Cross reference for device pins names to P1 connector signals is as follows: C1 = D0, C2 = D1. Apply the supply voltage to P3. Send the appropriate signals onto the parallel bus lines in accordance with the Parallel Interface Attenuation Truth Table. The attenuator is set to the desired state and measurements can be taken.

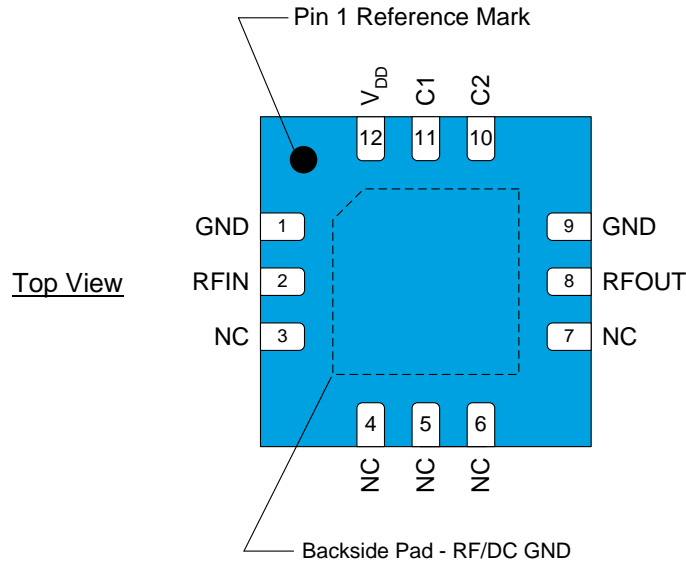
Default Power-up State

The default attenuation state is maximum (18dB) when supply voltage is applied to the attenuator. If a different attenuation state is desired during power up, this can be accomplished by applying signals according to the Parallel Interface Attenuation Truth Table. The attenuator will power up to the state applied to the parallel bus during turn on.

Parallel Interface Attenuation Truth

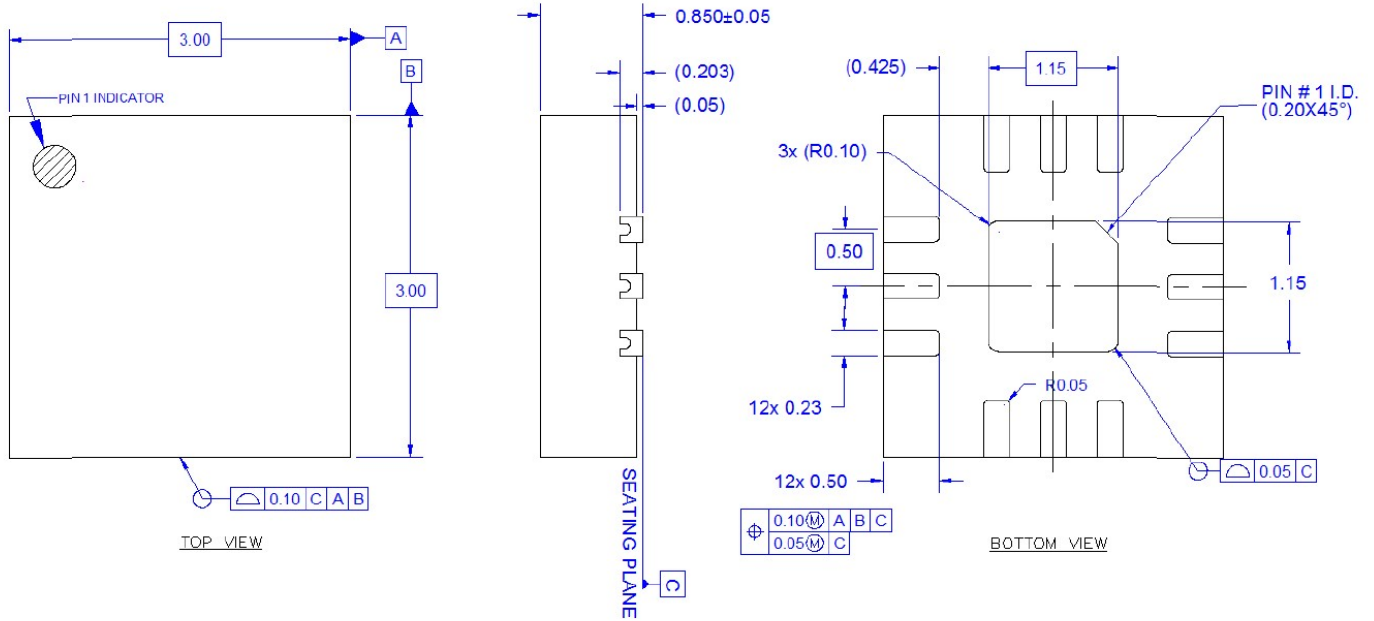
| Attenuation Word | | Attenuation State |
|------------------|---------|--------------------------------|
| C1 (D0) | C2 (D1) | |
| L | L | 0dB / Reference Insertion Loss |
| H | L | 6 dB |
| L | H | 12 dB |
| H | H | 18 dB |

Pad Configuration and Description



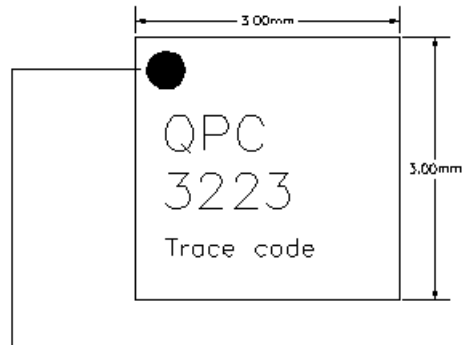
| Pad No. | Label | Description |
|--------------|-----------------|------------------------------------------------------------------------------------------------------------------------------------------------------------------------------------------------------------------------------|
| 1 | GND | Ground Pin; Connect to PCB ground |
| 2 | RFIN | RF Input Pin; Incident RF power must enter this pin for rated thermal performance and reliability. Do not apply DC power to this pin. Pin may be DC grounded externally and is grounded thru resistors internal to the part. |
| 3 | NC | Open in package. Connect to PCB ground or leave floating |
| 4 | NC | Open in package. Connect to PCB ground or leave floating |
| 5 | NC | Open in package. Connect to PCB ground or leave floating |
| 6 | NC | Open in package. Connect to PCB ground or leave floating |
| 7 | NC | Open in package. Connect to PCB ground or leave floating |
| 8 | RFOUT | RF Output Pin; Pin may be DC grounded externally and is grounded thru resistors internal to the part. |
| 9 | GND | Ground Pin; Connect to PCB ground |
| 10 | C2 | 12dB bit parallel logic input; 1.8V CMOS compatible logic |
| 11 | C1 | 6dB bit parallel logic input; 1.8V CMOS compatible logic |
| 12 | V _{DD} | Supply Voltage |
| Backside Pad | GND | RF/DC ground. Use recommended via pattern to minimize inductance and thermal resistance. See PCB Mounting Pattern for suggested footprint. |

Package Dimensions



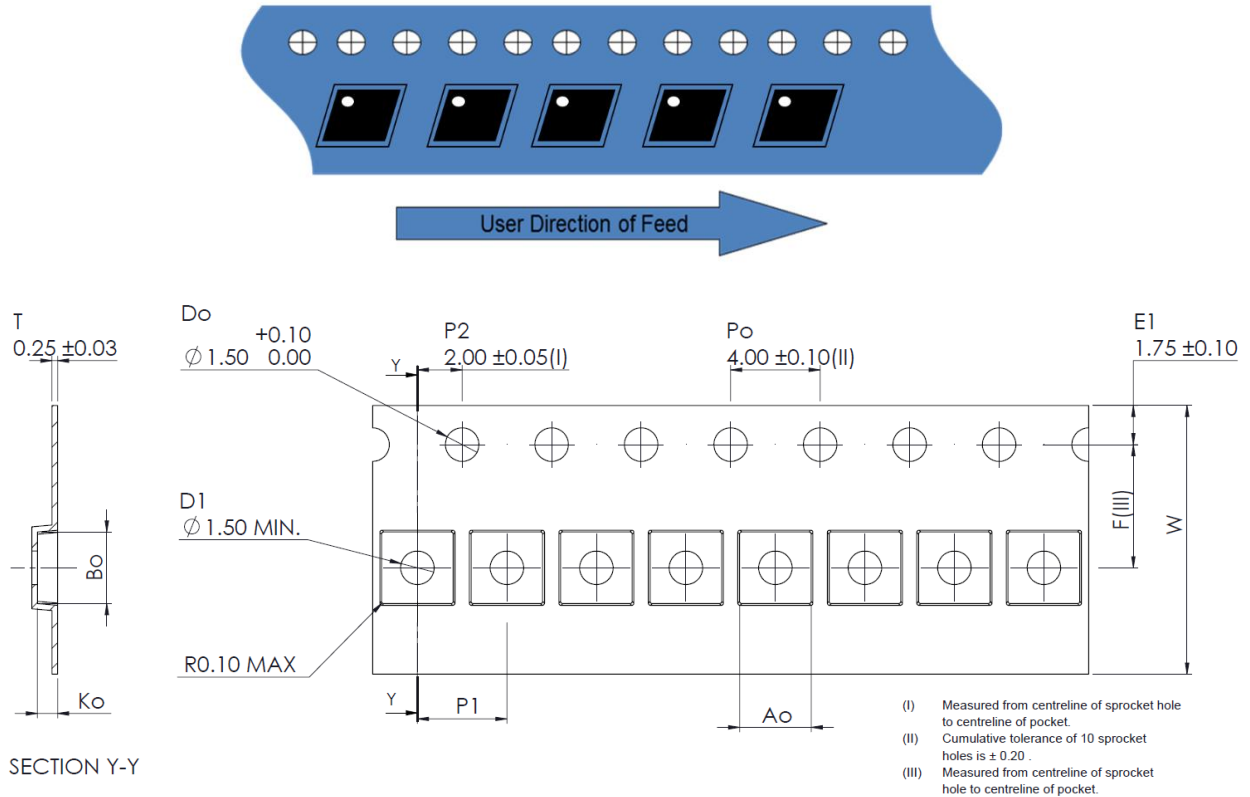
Notes:
1. All Dimensions in millimeters

Branding Diagram



Pin 1 Indicator
Trace code to be assigned by SubCon

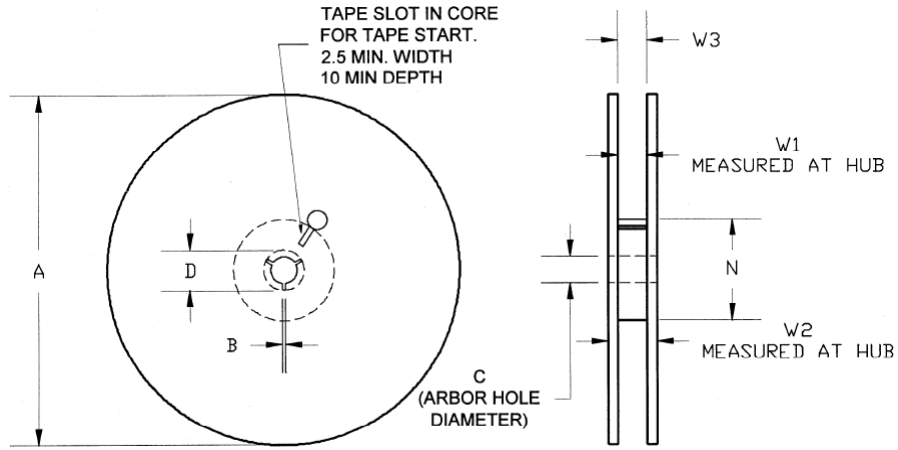
Tape and Reel Information – Carrier and Cover Tape Dimensions



| Feature | Measure | Symbol | Size (in) | Size (mm) |
|---------------------|------------------------------------------|--------|-----------|-----------|
| Cavity | Length | A0 | 0.125 | 3.20 |
| | Width | B0 | 0.125 | 3.20 |
| | Depth | K0 | 0.040 | 1.00 |
| | Pitch | P1 | 0.157 | 4.00 |
| Centerline Distance | Cavity to Perforation - Length Direction | P2 | 0.079 | 2.00 |
| | Cavity to Perforation - Width Direction | F | 0.217 | 5.50 |
| Cover Tape | Width | C | 0.362 | 9.20 |
| Carrier Tape | Width | W | 0.472 | 12.0 |

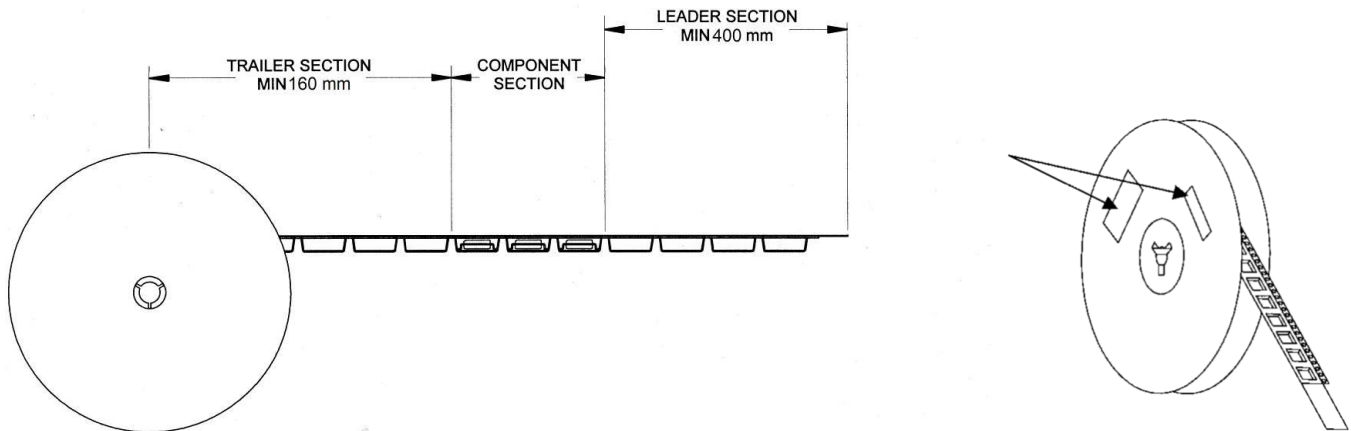
Tape and Reel Information – Reel Dimensions

Standard T/R size = 2,500 pieces on a 7" reel.



| Feature | Measure | Symbol | Size (in) | Size (mm) |
|---------|----------------------|--------|-----------|-----------|
| Flange | Diameter | A | 6.969 | 177.0 |
| | Thickness | W2 | 0.717 | 18.2 |
| | Space Between Flange | W1 | 0.504 | 12.8 |
| Hub | Outer Diameter | N | 2.283 | 58.0 |
| | Arbor Hole Diameter | C | 0.512 | 13.0 |
| | Key Slit Width | B | 0.079 | 2.0 |
| | Key Slit Diameter | D | 0.787 | 20.0 |

Tape and Reel Information – Tape Length and Label Placement



- Notes:
1. Empty part cavities at the trailing and leading ends are sealed with cover tape. See EIA 481-1-A.
 2. Labels are placed on the flange opposite the sprockets in the carrier tape.

Handling Precautions

| Parameter | Rating | Standard |
|----------------------------------|----------|---------------------------------|
| ESD – Human Body Model (HBM) | Class 1C | ANSI / ESDA / JEDEC JS-001-2014 |
| ESD – Human Body Model (CDM) | Class C3 | ANSI / ESDA / JEDEC JS-002-2014 |
| MSL – Moisture Sensitivity Level | Level 2 | IPC / JEDEC J-STD-020 |



Caution!
ESD-Sensitive Device

Solderability

Compatible with both lead-free (260°C max. reflow temp.) and tin/lead (245°C max. reflow temp.) soldering processes. Solder profiles available upon request.

Contact plating: NiPdAu

RoHS Compliance

This part is compliant with 2011/65/EU RoHS directive (Restrictions on the Use of Certain Hazardous Substances in Electrical and Electronic Equipment) as amended by Directive 2015/863/EU.

This product also has the following attributes:

- Lead Free
- Halogen Free (Chlorine, Bromine)
- Antimony Free
- TBBP-A (C₁₅H₁₂Br₄O₂) Free
- PFOS Free
- SVHC Free



Contact Information

For the latest specifications, additional product information, worldwide sales and distribution locations:

Web: www.qorvo.com

Tel: 1-844-890-8163

Email: customer.support@qorvo.com

Important Notice

The information contained herein is believed to be reliable; however, Qorvo makes no warranties regarding the information contained herein and assumes no responsibility or liability whatsoever for the use of the information contained herein. All information contained herein is subject to change without notice. Customers should obtain and verify the latest relevant information before placing orders for Qorvo products. The information contained herein or any use of such information does not grant, explicitly or implicitly, to any party any patent rights, licenses, or any other intellectual property rights, whether with regard to such information itself or anything described by such information. **THIS INFORMATION DOES NOT CONSTITUTE A WARRANTY WITH RESPECT TO THE PRODUCTS DESCRIBED HEREIN, AND QORVO HEREBY DISCLAIMS ANY AND ALL WARRANTIES WITH RESPECT TO SUCH PRODUCTS WHETHER EXPRESS OR IMPLIED BY LAW, COURSE OF DEALING, COURSE OF PERFORMANCE, USAGE OF TRADE OR OTHERWISE, INCLUDING THE IMPLIED WARRANTIES OF MERCHANTABILITY AND FITNESS FOR A PARTICULAR PURPOSE.**

Without limiting the generality of the foregoing, Qorvo products are not warranted or authorized for use as critical components in medical, life-saving, or life-sustaining applications, or other applications where a failure would reasonably be expected to cause severe personal injury or death.

Copyright 2019 © Qorvo, Inc. | Qorvo is a registered trademark of Qorvo, Inc.



Компания «ЭлектроПласт» предлагает заключение долгосрочных отношений при поставках импортных электронных компонентов на взаимовыгодных условиях!

Наши преимущества:

- Оперативные поставки широкого спектра электронных компонентов отечественного и импортного производства напрямую от производителей и с крупнейших мировых складов;
- Поставка более 17-ти миллионов наименований электронных компонентов;
- Поставка сложных, дефицитных, либо снятых с производства позиций;
- Оперативные сроки поставки под заказ (от 5 рабочих дней);
- Экспресс доставка в любую точку России;
- Техническая поддержка проекта, помощь в подборе аналогов, поставка прототипов;
- Система менеджмента качества сертифицирована по Международному стандарту ISO 9001;
- Лицензия ФСБ на осуществление работ с использованием сведений, составляющих государственную тайну;
- Поставка специализированных компонентов (Xilinx, Altera, Analog Devices, Intersil, Interpoint, Microsemi, Aeroflex, Peregrine, Syfer, Eurofarad, Texas Instrument, Miteq, Cobham, E2V, MA-COM, Hittite, Mini-Circuits, General Dynamics и др.);

Помимо этого, одним из направлений компании «ЭлектроПласт» является направление «Источники питания». Мы предлагаем Вам помощь Конструкторского отдела:

- Подбор оптимального решения, техническое обоснование при выборе компонента;
- Подбор аналогов;
- Консультации по применению компонента;
- Поставка образцов и прототипов;
- Техническая поддержка проекта;
- Защита от снятия компонента с производства.



Как с нами связаться

Телефон: 8 (812) 309 58 32 (многоканальный)

Факс: 8 (812) 320-02-42

Электронная почта: org@eplast1.ru

Адрес: 198099, г. Санкт-Петербург, ул. Калинина, дом 2, корпус 4, литера А.