



W54 series

Push To Reset Only P&B Thermal Circuit Breaker



Features

- 5 to 40 amp ratings.
- Cannot be manually tripped.
- Button extends for visual trip indication.
- Push button to reset breaker.
- Numerous mounting and termination options.
- Choice of silver-cadmium oxide or silver-tin oxide contacts.
- Optional bottom marking of amperage rating.

Insulation Resistance: 100 megohms.

Maximum Operating Voltages: 50VDC; 250VAC .

Interrupt Capacity: 1,000 amps in accordance with UL standard 1077.

Resettable Overload Capacity: Ten times rated current.

Reset Time: 60 seconds.

Agency Approvals

W54 series is UL 1077 Recognized as Supplementary Protectors, File E69543, for Canada and the United States. Available models meet Ignition Protection requirements in accordance with UL 1500 (excludes models rated >30A). CSA Accepted as Supplementary Protectors (Appliance Component Protectors), File 240027 (to 125VAC, excludes models rated >30A). Approved to VDE 0642/EN60934 (Circuit Breakers for Equipment) License Number 40007877 (excludes models rated >20A, models with screw terminals, models with silver-tin oxide contacts). CCC mark compliant, certificate 2004010307123217.

Users should thoroughly review the technical data before selecting a product part number. It is recommended that users also seek out the pertinent approvals files of the agencies/laboratories and review them to confirm the product meets the requirements for a given application.

Typical Resistance vs. Current Rating @25°C

| Current Rating in Amps | Typical Resistance in Ohms | Current Rating in Amps | Typical Resistance in Ohms |
|------------------------|----------------------------|------------------------|----------------------------|
| 5.0 | 0.050 | 15.0 | 0.017 |
| 6.0 | 0.042 | 20.0 | 0.012 |
| 7.0 | 0.036 | 25.0 | 0.010 |
| 8.0 | 0.031 | 30.0 | 0.008 |
| 10.0 | 0.025 | 35.0 | 0.007 |
| 12.0 | 0.021 | 40.0 | 0.006 |

Electrical Data @ 25°C

Calibration: Will continuously carry 100% of rating.

May trip between 101% and 134%, but must trip at 135% of rating within one hour at +25°C.

Dielectric Strength: 1,500VAC (60 seconds).

Mechanical/Environmental Data

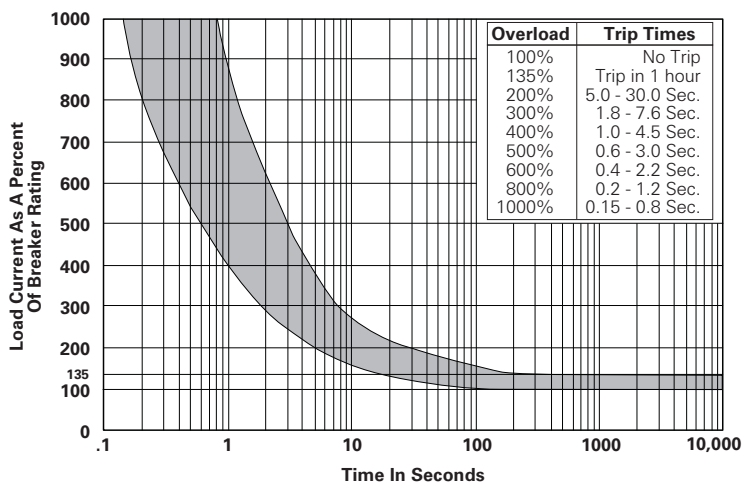
Operating Temperature Range: 0°C to +60°C.

Termination: .250" (6.35mm) quick connects or #8-32 screws.

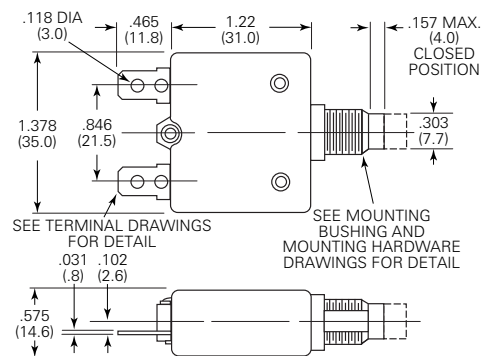
Mounting: Various options. See Ordering Information and drawings.

Approximate Weight: 0.9 oz. (25.0g).

Time vs. Current Trip Curve @ +25°C

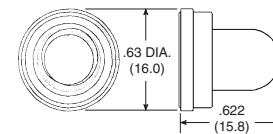


Outline Dimensions

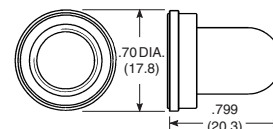


Optional Protective Boot

Silicone rubber boot is bonded to integral aluminum nut.



1-1423696-5
Black boot for W54 with 3/8"-24 bushing.



1-1423696-6
Clear boot for W54 with M11 X 1.0 bushing.

Ambient Compensation Table

| Ambient Temperature in °C | Rating Correction Factor | |
|---------------------------|--------------------------|--------------|
| | 5-8A Models | 9-30A Models |
| 10 | .90 | .80 |
| 20 | .98 | .90 |
| 25 | 1.00 | 1.00 |
| 30 | 1.10 | 1.05 |
| 40 | 1.25 | 1.15 |
| 50 | 1.61 | 1.31 |
| 60 | 2.00 | 1.55 |

To use this chart: Divide the breaker rating by the correction factor to determine the compensated rating. Calculate the overloads in terms of the compensated rating to use the published trip curve. Do not use these devices outside their specified operating temperature ranges.

Ordering Information

| | | | | | | | | | | | |
|---|----------|-----------|-----------|----------|----------|----------|----------|----------|----------|----------|---|
| Typical Part No. > | W | 54 | -X | B | 1 | A | 4 | A | 1 | 0 | -5 |
| 1. Designator: W = Circuit breaker | | | | | | | | | | | |
| 2. Series Number: 54 = Single pole, push-to-reset, thermal model | | | | | | | | | | | |
| 3. Circuit Function & Contact Material: X = Series trip, silver-cadmium oxide contacts F = Series trip, silver-tin oxide contacts † | | | | | | | | | | | |
| 4. Button Color & Rate Marking: A = White, plain, no rate marking B = White with red rate marking (vertical) C = White with black rate marking (vertical) D = Black, plain, no rate marking E = Black with white rate marking (horizontal) F = White with red rate marking (horizontal) G = White with black rate marking (horizontal) H = Black with white rate marking (vertical) I = Red, plain, no rate marking J = Black, no rate marking on button, white rate marking on bottom of case between terminals. | | | | | | | | | | | |
| 5. Mounting Bushing: 1 = Metal, 9.8mm (double D) x 12.6mm long, M11x1 threads, (similar to 7/16"), round base 2 = Metal, 3/8" (single D) x 10mm long, 3/8"x24 threads, hex base 3 = Metal, 9.8mm (double D) x 12.6mm long, M11x1 threads, (similar to 7/16"), hex base 4 = Metal, 10.5mm (double D) x 12.6mm long, M12x1 threads, (similar to 15/32"), round base 6 = Plastic, 9.8mm (double D) x 12.6mm long, M11x1 threads, (similar to 7/16"), round base 7 = Plastic, 3/8" (single D) x 10mm long, 3/8"x24 threads, hex base 8 = Plastic, snap-in type Notes: Codes 1, 3 and 6 are similar in size to 7/16" bushings (not exact equivalent). Code 4 is similar in size to a 15/32" bushing (not exact equivalent) | | | | | | | | | | | |
| 6. Terminals: A = Quick connect .250" (6.35mm), straight B = Quick connect .250" (6.35mm), bent 90° C = #8-32 screw, bent 90° (screws installed) † D = Quick connect .250" (6.35mm), bent 45° E = Quick connect .250" (6.35mm), bent 90° opposite F = #8-32 screw, bent 45° (screws installed) G = QC .250" (6.35mm) and #8-32 screw, bent 90° (screw installed) † | | | | | | | | | | | |
| 7. Mounting Hardware: 4 = Metal, knurled nut/hex nut 6 = Metal, hex nut 12 = Metal, knurled nut 15 = Metal, two hex nuts and one lockwasher 18 = Metal, one hex nut and one lockwasher 7 = Plastic, knurled nut 8 = Plastic, knurled nut with small hole 22 = Plastic knurled nut, metal lockwasher 99 = None | | | | | | | | | | | |
| 8. Mounting Hardware Packaging: A = Assembled to bushing B = Bulk unassembled C = No mounting hardware | | | | | | | | | | | |
| 9. Maximum Operating Voltage: 1 = 250VAC 2 = 125VAC / 50VDC | | | | | | | | | | | |
| 10. Nameplate: 0 = None 1 = Embossed aluminum 2 = Silver color printing on black 3 = Black printing on silver color | | | | | | | | | | | |
| 11. Specify Amp Rating: | | | | | | | | | | | |
| 5 7 10 15 25† 35*†† 6 8 12 20 30† 40*†† | | | | | | | | | | | |
| | | | | | | | | | | | *UL1077, but not UL1500 †Not VDE ‡Not CSA |

12. UL Recognition:
Leave Blank = UL1077 recognized breaker
M = Model meeting Ignition Protection requirements in accordance with UL 1500, in addition to UL1077 recognition (not available with models >30A rating).
Code M breakers are not VDE approved or CSA certified.

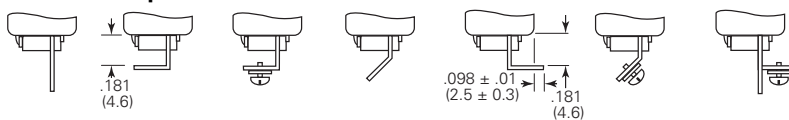
Our authorized distributors are more likely to stock the following items for immediate delivery.

W54-XB1A4A10-5 W54-XB1A4A10-15 W54-XB1A4A10-25
W54-XB1A4A10-10 W54-XB1A4A10-20 W54-XB1A4A10-30

ORDERING NOTE:

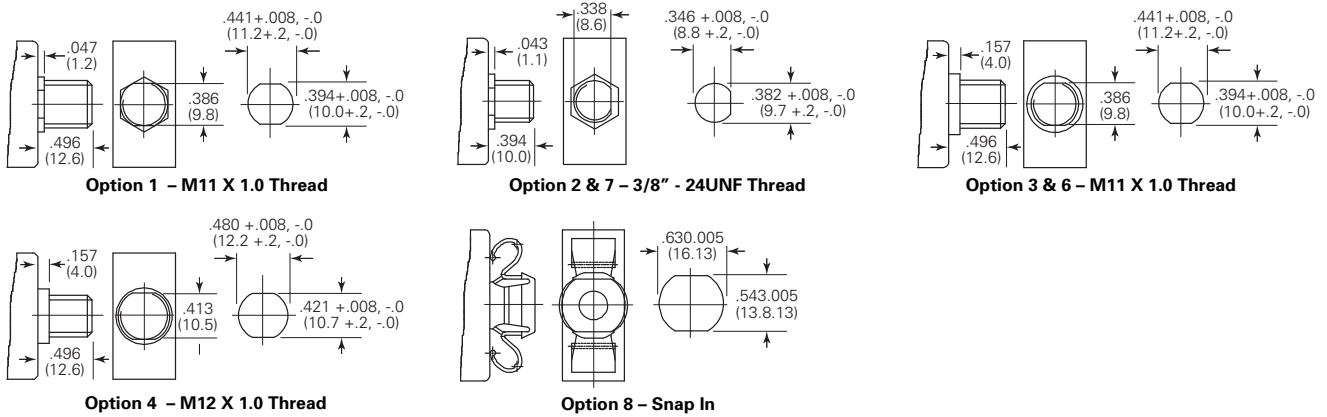
Mounting hardware can be ordered separately. Some options are subject to extended leadtimes and significant minimum order quantities.

Termination Options

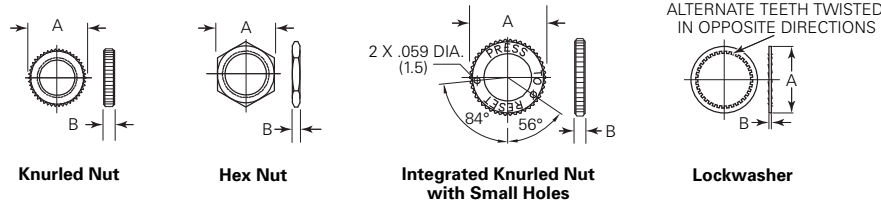


| | | | | | | |
|--|-----------------------------------|---------------------------------------|--|---|---------------------------------------|--|
| Option A Standard .250 QC Straight | Option B .250 QC 90° | Option C #8-32 Screw 90° | Option D Special .250 QC 45° | Option E .250 QC/PCB 270° | Option F #8-32 Screw 45° | Option H .250 QC Straight with #8-32 Load Term. Bent 90° |
|--|-----------------------------------|---------------------------------------|--|---|---------------------------------------|--|

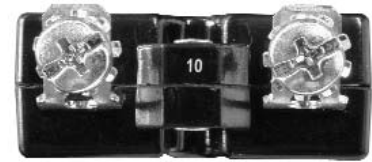
Mounting Bushings and Recommended Panel Cutouts



Mounting Hardware Options



Optional Bottom Marking of Rating



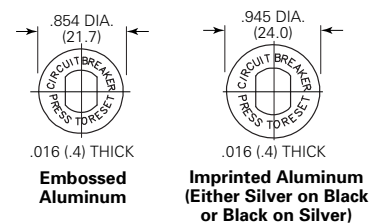
Mounting Hardware Dimensions

| Dimension Code | Bushing Diameter | Plastic Knurled Nut | Integrated Plastic Knurled Nut w/Holes | Metal Knurled Nut | Metal Hex Nut | Lockwasher |
|----------------|------------------|---------------------|--|-------------------|---------------|-------------|
| A | 3/8" | .74 (18.8) | – | .56 (14.2) | .55 (14.0) | .49 (12.5) |
| | M11 | .74 (18.8) | .74 (18.8) | .59 (15.0) | .55 (14.0) | .587 (14.9) |
| | M12 | – | – | .59 (15.0) | .55 (14.0) | .626 (15.9) |
| B | 3/8" | .126 (3.2) | – | .079 (2.0) | .079 (2.0) | .02 (.5) |
| | M11 | .126 (3.2) | .13 (3.3) | .102 (2.6) | .118 (3.0) | .02 (.5) |
| | M12 | – | – | .102 (2.6) | .079 (2.0) | .02 (.5) |

Mounting Hardware Ordering Information

| Mounting Bushing Material | Mounting Bushing Code | Plastic Knurled Nut | Integrated Plastic Knurled Nut w/Holes | Metal Knurled Nut | Metal Hex Nut | Lockwasher |
|---------------------------|-----------------------|---------------------|--|-------------------|---------------|-------------|
| Metal | 1 (M11) | – | – | 1423696-4 | 1423696-6 | 1-1423696-2 |
| | 2 (3/8") | – | – | 1-1423696-0 | 1423696-3 | 1-1423696-1 |
| | 3 (M11) | – | – | 1423696-4 | 1423696-6 | 1-1423696-2 |
| | 4 (M12) | – | – | 1423696-5 | 1423696-7 | 1-1423696-3 |
| Plastic | 6 (M11) | 1423696-8 | 2-1423696-2 | – | – | – |
| | 8 (3/8") | 1423696-2 | – | – | – | – |

Nameplates





Компания «ЭлектроПласт» предлагает заключение долгосрочных отношений при поставках импортных электронных компонентов на взаимовыгодных условиях!

Наши преимущества:

- Оперативные поставки широкого спектра электронных компонентов отечественного и импортного производства напрямую от производителей и с крупнейших мировых складов;
- Поставка более 17-ти миллионов наименований электронных компонентов;
- Поставка сложных, дефицитных, либо снятых с производства позиций;
- Оперативные сроки поставки под заказ (от 5 рабочих дней);
- Экспресс доставка в любую точку России;
- Техническая поддержка проекта, помощь в подборе аналогов, поставка прототипов;
- Система менеджмента качества сертифицирована по Международному стандарту ISO 9001;
- Лицензия ФСБ на осуществление работ с использованием сведений, составляющих государственную тайну;
- Поставка специализированных компонентов (Xilinx, Altera, Analog Devices, Intersil, Interpoint, Microsemi, Aeroflex, Peregrine, Syfer, Eurofarad, Texas Instrument, Miteq, Cobham, E2V, MA-COM, Hittite, Mini-Circuits, General Dynamics и др.);

Помимо этого, одним из направлений компании «ЭлектроПласт» является направление «Источники питания». Мы предлагаем Вам помощь Конструкторского отдела:

- Подбор оптимального решения, техническое обоснование при выборе компонента;
- Подбор аналогов;
- Консультации по применению компонента;
- Поставка образцов и прототипов;
- Техническая поддержка проекта;
- Защита от снятия компонента с производства.



Как с нами связаться

Телефон: 8 (812) 309 58 32 (многоканальный)

Факс: 8 (812) 320-02-42

Электронная почта: org@eplast1.ru

Адрес: 198099, г. Санкт-Петербург, ул. Калинина, дом 2, корпус 4, литера А.