

# SMD Multilayer Chip Varistor

AMCV-1206H

RoHS  
Compliant



3.2 x 1.6 x 1.05mm

## FEATURES:

- SMD type, small size suitable for high density mounting
- Excellent clamping ratio and strong capability of voltage surge suppression
- Excellent solderability (Ni, Sn plating)

## APPLICATIONS:

- Transient voltage protection and voltage surge suppression for LED lighting
- Suitable for LCD-TV, STB, Switch, Router, PLC, Security System, smart meters, mobile phones
- Suppressing Induced / switching over-voltage caused by lightning and power
- Protecting DC-DC Module, I/O ports, IC driver

## STANDARD SPECIFICATIONS:

**Operating Temperature:** -55°C ~ +125°C

**Storage Temperature:** -10°C ~ +40°C and RH 70% (Max.)

| Part Number    | Max. Working Voltage |                  | Varistor Voltage    | Max. Clamping Voltage |                | Rated Single Pulse Transient |                           | Typical Capacitance       |
|----------------|----------------------|------------------|---------------------|-----------------------|----------------|------------------------------|---------------------------|---------------------------|
|                | DC                   | AC RMS           |                     | 8/20 $\mu$ s          | ESD            | Energy 10/1000 $\mu$ s       | Peak Current 8/20 $\mu$ s |                           |
| Test Condition | <20 $\mu$ A          |                  | @1mA DC             | 8/20 $\mu$ s          | ESD            | Energy 10/1000 $\mu$ s       | Peak Current 8/20 $\mu$ s | @1V <sub>rms</sub> , 1kHz |
| Units          | Volts                | Volts            |                     |                       |                |                              |                           |                           |
| Symbol         | V <sub>WDC</sub>     | V <sub>WAC</sub> | V <sub>B</sub>      | V <sub>C</sub>        | I <sub>C</sub> | E <sub>T</sub>               | I <sub>P</sub>            | C <sub>P</sub>            |
| AMCV-1206H-5R5 | 5.5                  | 4.0              | 12.0 [10.0-14.0]    | 18                    | 5.0            | 0.7                          | 300                       | 2400                      |
| AMCV-1206H-090 | 9                    | 6.4              | 14.0 [12.0-16.0]    | 20                    | 5.0            | 0.7                          | 300                       | 2000                      |
| AMCV-1206H-120 | 12                   | 8.5              | 16.0 [13.0-19.0]    | 25                    | 5.0            | 0.7                          | 300                       | 1600                      |
| AMCV-1206H-140 | 14                   | 10.0             | 19.0 [16.0-22.0]    | 30                    | 5.0            | 0.7                          | 300                       | 1500                      |
| AMCV-1206H-180 | 18                   | 12.7             | 25.0 [22.0-28.0]    | 40                    | 5.0            | 0.7                          | 300                       | 1300                      |
| AMCV-1206H-220 | 22                   | 15.6             | 30.0 [26.0-34.0]    | 45                    | 5.0            | 0.7                          | 300                       | 1100                      |
| AMCV-1206H-260 | 26                   | 18.4             | 35.0 [31.0-38.0]    | 58                    | 5.0            | 0.7                          | 250                       | 900                       |
| AMCV-1206H-300 | 30                   | 21.3             | 42.0 [37.0-46.0]    | 65                    | 5.0            | 0.7                          | 250                       | 800                       |
| AMCV-1206H-380 | 38                   | 30.0             | 50.0 [46.0-54.0]    | 75                    | 5.0            | 1.0                          | 250                       | 500                       |
| AMCV-1206H-480 | 48                   | 34.1             | 60.0 [54.0-67.0]    | 100                   | 5.0            | 1.0                          | 250                       | 300                       |
| AMCV-1206H-560 | 56                   | 40.0             | 68.0 [61.0-75.0]    | 120                   | 5.0            | 1.0                          | 250                       | 250                       |
| AMCV-1206H-600 | 60                   | 46.0             | 76.0 [69.0-83.0]    | 130                   | 5.0            | 1.0                          | 250                       | 200                       |
| AMCV-1206H-650 | 65                   | 50.0             | 82.0 [73.0-91.0]    | 140                   | 5.0            | 1.2                          | 250                       | 160                       |
| AMCV-1206H-750 | 75                   | 55.0             | 94.0 [85.0-103.0]   | 160                   | 5.0            | 1.2                          | 250                       | 140                       |
| AMCV-1206H-850 | 85                   | 60.0             | 100.0 [90.0-110.0]  | 170                   | 5.0            | 1.2                          | 250                       | 120                       |
| AMCV-1206H-101 | 100                  | 75.0             | 120.0 [108.0-132.0] | 200                   | 5.0            | 1.2                          | 250                       | 80                        |

Unless otherwise specified, the standard atmospheric conditions for measurement/test as:

- Ambient Temperature: 20 $\pm$ 15°C
- Relative Humidity: 65 $\pm$ 20%
- Air Pressure: 86 kPa to 106 kPa

| Items  | Test Methods and Remarks                                      |
|--|---|
| Varistor Voltage at 1mA DC (V <sub>B</sub> ) | Measuring current: 1mA DC<br>Duration: 0.2 to 2 sec           |
| Capacitance (C)                              | Measure source: 1.0 V <sub>RMS</sub><br>Test frequency: 1kHz. |
| Clamping Voltage (V <sub>C</sub> )           | Measuring source: 8/20us waveform                             |

ABRACON IS  
ISO 9001:2008  
CERTIFIED



Visit [www.abracon.com](http://www.abracon.com) for Terms & Conditions of Sale **Revised: 11.22.12**  
30332 Esperanza, Rancho Santa Margarita, California 92688  
tel 949-546-8000 | fax 949-546-8001 | [www.abracon.com](http://www.abracon.com)

# SMD Multilayer Chip Varistor



3.2 x 1.6 x 1.05mm

AMCV-1206H

RoHS  
Compliant

## OPTIONS AND PART IDENTIFICATION:

AMCV-1206H--

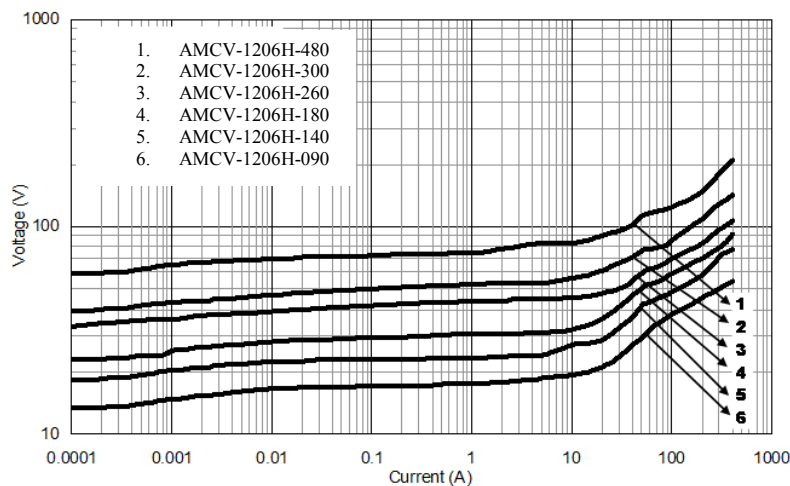
### Voltage Code

Please refer to the table above

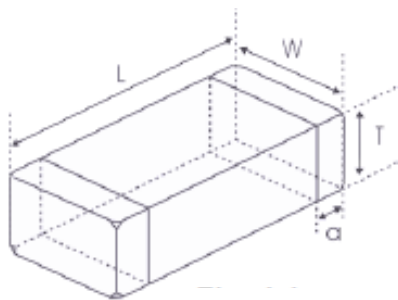
### Packaging

T: Tape and Reel  
(3kpcs / reel)

## V/I CHARACTERISTICS



## OUTLINE DIMENSION:



| L       | W       | T         | a       |
|---------|---------|-----------|---------|
| 3.2±0.2 | 1.6±0.2 | 1.05 Max. | 0.2~0.8 |

## Recommended Land Pattern



| A       | B       | C       |
|---------|---------|---------|
| 1.8~2.5 | 1.0~1.5 | 1.2~2.0 |

Dimension: mm

# SMD Multilayer Chip Varistor



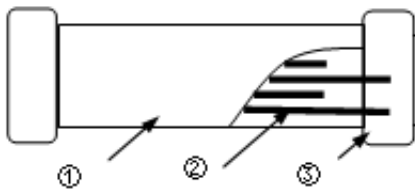
3.2 x 1.6 x 1.05mm

AMCV-1206H

**RoHS**  
Compliant

## Materials

Side View



Top View



|   | Part Name          | Material                                |
|---|--------------------|---|
| 1 | Base Material      | ZnO                                     |
| 2 | Internal Conductor | Ag-Pd                                   |
| 3 | Terminal Electrode | Ag (Inner layer)<br>Ni-Sn (Outer layer) |



## REFLOW PROFILE:



|                             |                               |
|-----------------------------|-------------------------------|
| Preheat Condition           | 150 to 200 °C; 60 to 120 sec. |
| Allowed time above 217 °C   | 60 to 90 sec.                 |
| Max temperature             | 260 °C                        |
| Max time at max temperature | 10 sec.                       |
| Solder paste                | Sn/3.0Ag/0.5Cu                |
| Allowed Reflow time         | 2x max.                       |

# SMD Multilayer Chip Varistor

AMCV-1206H

RoHS  
Compliant



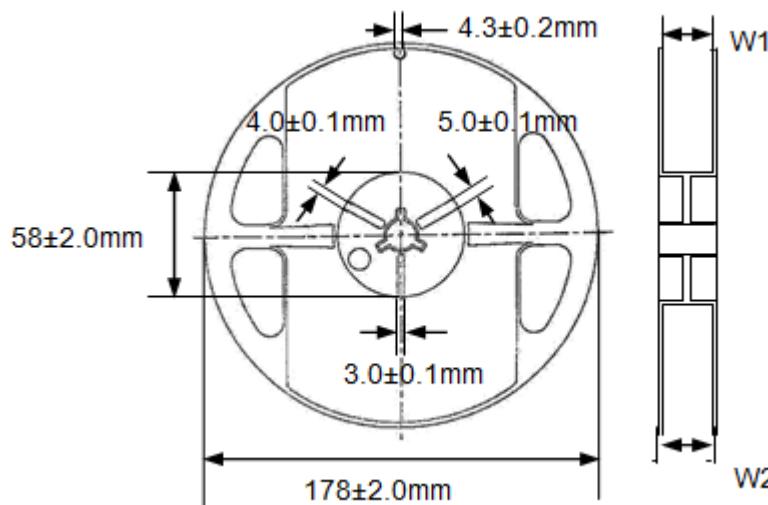
3.2 x 1.6 x 1.05mm

## TAPE & REEL:

T: 3,000pcs / reel



| A    | B    | P   | T (max) |
|------|------|-----|---------|
| 1.90 | 3.50 | 4.0 | 1.10    |



| W1             | W2             |
|----------------|----------------|
| $10.0 \pm 0.5$ | $12.5 \pm 0.5$ |

## Storage Conditions

- The solderability of the external electrode may be deteriorated if packages are stored where they are exposed to high humidity. Package must be stored at 40°C or less and 70% RH or less.
- The solderability of the external electrode may be deteriorated if packages are stored where they are exposed to dust or harmful gas (e.g. HCl, sulfurous gas of H<sub>2</sub>S).
- Packaging material may be deformed if package are stored where they are exposed to heat of direct sunlight.
- Solderability shall be guaranteed for 6 months from the date of delivery on condition that they are stored at the environment specified in 1.3. The parts that are stored more than 6 months shall be checked solderability before use.

Dimension: mm

**ATTENTION:** Abracon Corporation's products are COTS – Commercial-Off-The-Shelf products; suitable for Commercial, Industrial and, where designated, Automotive Applications. Abracon's products are not specifically designed for Military, Aviation, Aerospace, Life-dependant Medical applications or any application requiring high reliability where component failure could result in loss of life and/or property. For applications requiring high reliability and/or presenting an extreme operating environment, written consent and authorization from Abracon Corporation is required. Please contact Abracon Corporation for more information.

ABRACON IS  
ISO 9001:2008  
CERTIFIED



Visit [www.abracon.com](http://www.abracon.com) for Terms & Conditions of Sale **Revised: 11.22.12**  
30332 Esperanza, Rancho Santa Margarita, California 92688  
tel 949-546-8000 | fax 949-546-8001 | [www.abracon.com](http://www.abracon.com)



Компания «ЭлектроПласт» предлагает заключение долгосрочных отношений при поставках импортных электронных компонентов на взаимовыгодных условиях!

Наши преимущества:

- Оперативные поставки широкого спектра электронных компонентов отечественного и импортного производства напрямую от производителей и с крупнейших мировых складов;
- Поставка более 17-ти миллионов наименований электронных компонентов;
- Поставка сложных, дефицитных, либо снятых с производства позиций;
- Оперативные сроки поставки под заказ (от 5 рабочих дней);
- Экспресс доставка в любую точку России;
- Техническая поддержка проекта, помощь в подборе аналогов, поставка прототипов;
- Система менеджмента качества сертифицирована по Международному стандарту ISO 9001;
- Лицензия ФСБ на осуществление работ с использованием сведений, составляющих государственную тайну;
- Поставка специализированных компонентов (Xilinx, Altera, Analog Devices, Intersil, Interpoint, Microsemi, Aeroflex, Peregrine, Syfer, Eurofarad, Texas Instrument, Miteq, Cobham, E2V, MA-COM, Hittite, Mini-Circuits, General Dynamics и др.);

Помимо этого, одним из направлений компании «ЭлектроПласт» является направление «Источники питания». Мы предлагаем Вам помощь Конструкторского отдела:

- Подбор оптимального решения, техническое обоснование при выборе компонента;
- Подбор аналогов;
- Консультации по применению компонента;
- Поставка образцов и прототипов;
- Техническая поддержка проекта;
- Защита от снятия компонента с производства.



#### Как с нами связаться

**Телефон:** 8 (812) 309 58 32 (многоканальный)

**Факс:** 8 (812) 320-02-42

**Электронная почта:** [org@eplast1.ru](mailto:org@eplast1.ru)

**Адрес:** 198099, г. Санкт-Петербург, ул. Калинина, дом 2, корпус 4, литера А.