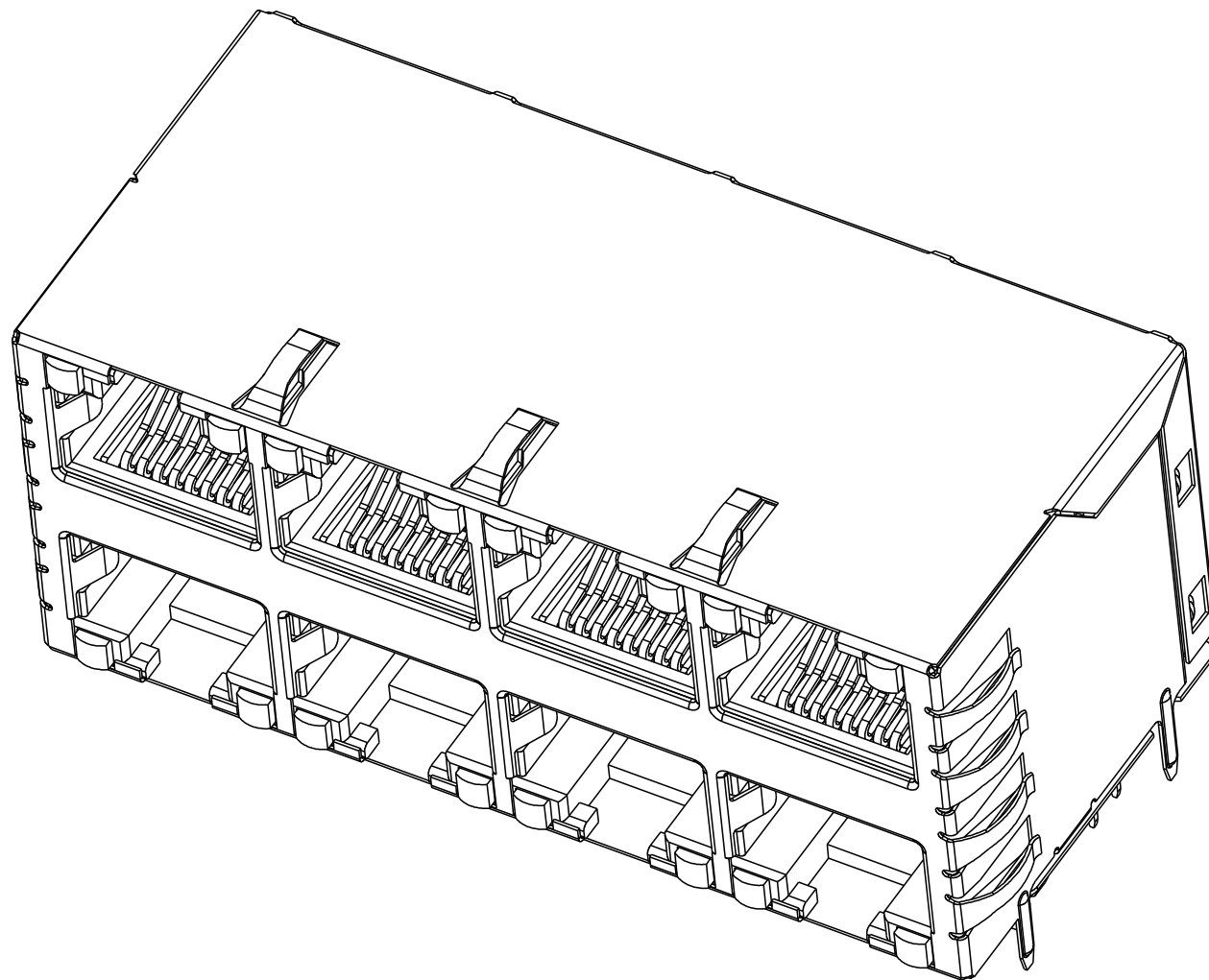


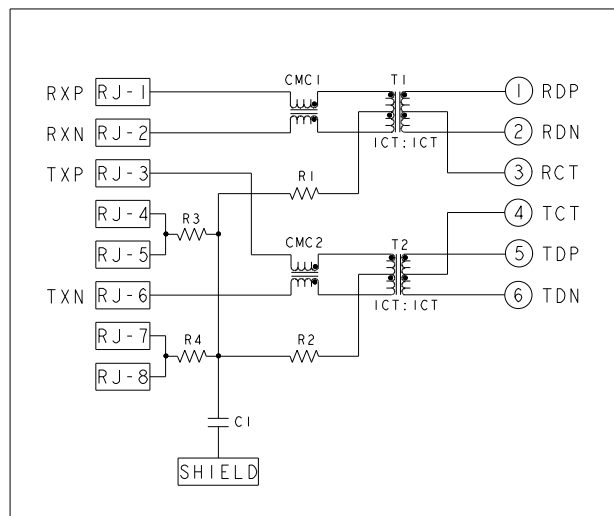
THIS DRAWING AND THE SUBJECT MATTER SHOWN THEREON ARE CONFIDENTIAL AND THE PROPERTY OF BEL/STEWART/TRP CONNECTOR AND SHALL NOT BE REPRODUCED, COPIED, OR USED IN ANY MANNER WITHOUT THE WRITTEN CONSENT OF TRP CONNECTOR.

PRODUCT MAY BE PROTECTED BY ONE OR MORE OF THE FOLLOWING US PATENTS:
 5736910 5939955 6425781 6428361 6554638 6840817 7123117
 7429195 7717749 7808751 6217391 6149050 7924130

REVISIONS				
#	LT#	DESCRIPTION	DATE	OWN APVD
G		EC-1411035 COMPANY LOGO CHANGE	09FEB2015	TR TY



S866P9 10/100 CIRCUIT ⚠
TOP AND BOTTOM PORTS

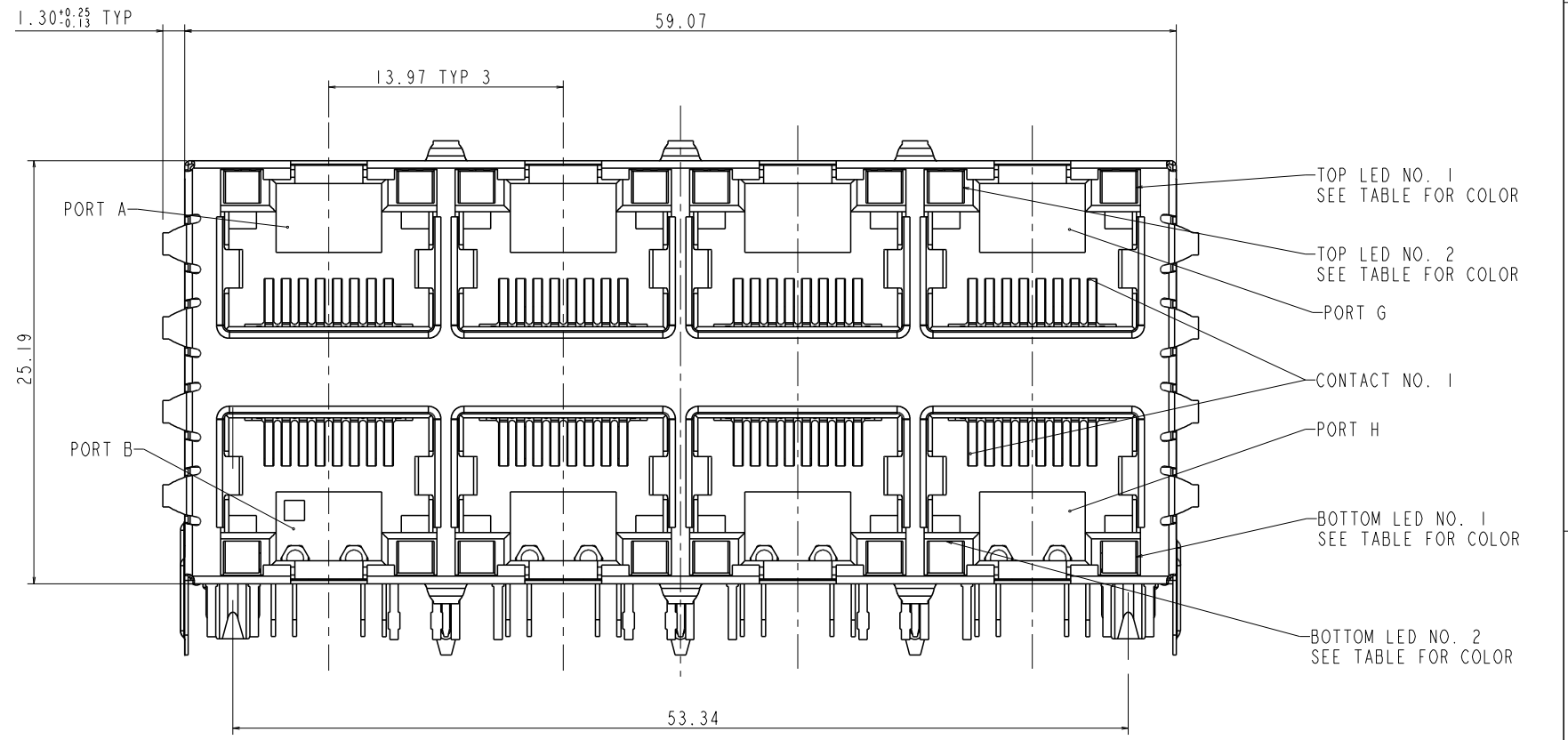
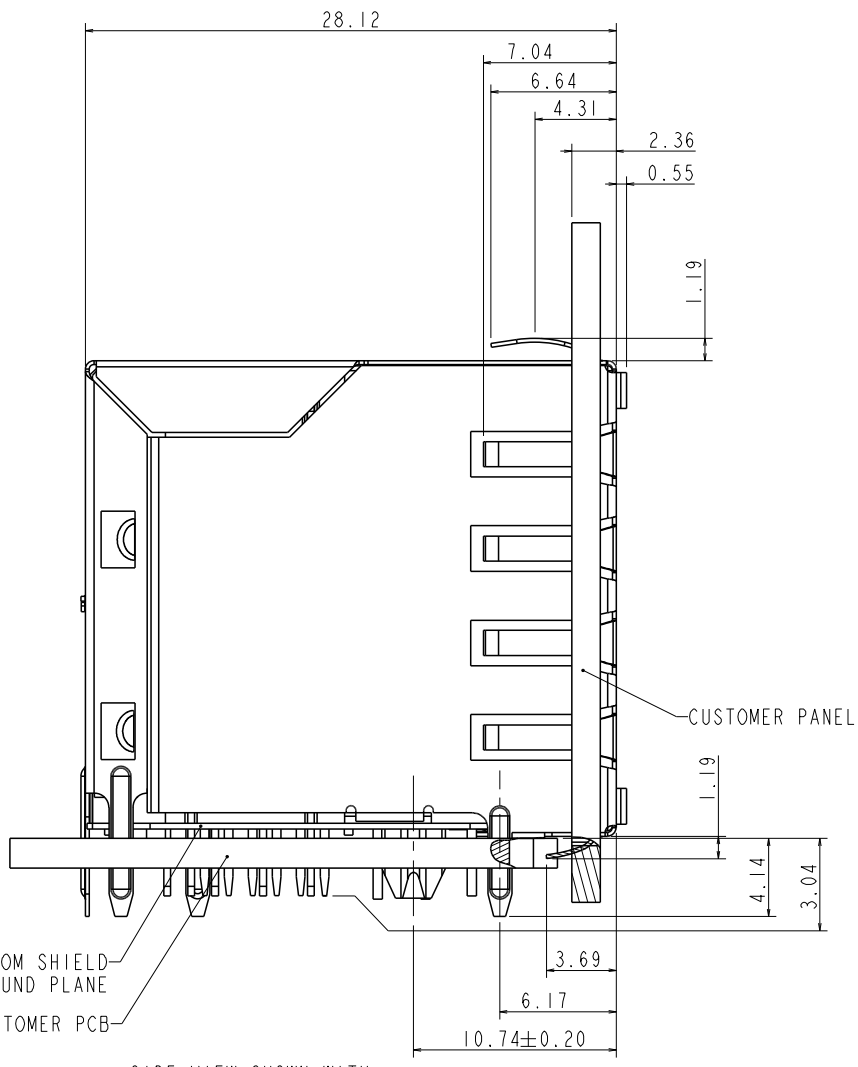
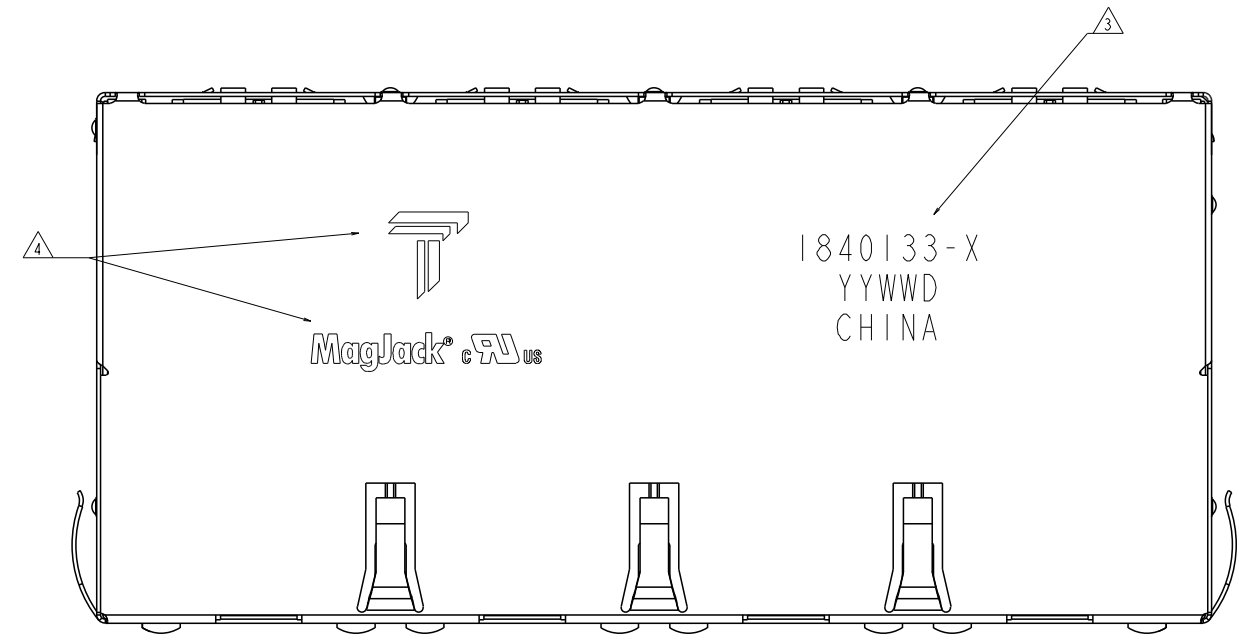


C1 = 1000pF, 2kV, ±10%, X7R DECOUPLING CAP.
 R1-R4 = 75 OHMS, 1/16 W, ±5% RESISTORS

1. MATERIALS:
 PLASTIC HOUSING: BLACK, THERMOPLASTIC FLAMMABILITY RATING UL 94V-0
 SHIELD: BRASS, PREPLATED WITH 0.76um MIN SEMI-BRIGHT NICKEL,
 POST DIPPED WITH 2.54um MIN SAC SOLDER ON SOLDER TAILS,
 CONTACTS: PHOSPHOR BRONZE, 1.27um MIN OVERALL NICKEL
 UNDERPLATE WITH SELECT 1.27um MIN GOLD AT MATING INTERFACE
 AND 2.54um MIN MATTE TIN ON SOLDER TAILS.
 LED: DIFFUSED EPOXY LENS, CARBON STEEL LEAD FRAME TAILS OF LED
 ARE PREPLATED WITH 2.03um MIN SILVER OVER 1.02um MIN NICKEL
 UNDERPLATE OVER 1.02um MIN COPPER UNDERPLATE. POST-PLATED WITH
 2.54um MIN MATTE TIN AND/OR SAC SOLDER DIP OR PURE TIN SOLDER DIP
 INTERNAL MAGNETICS PC BOARDS: HIGH TEMP PCB, TG>170°C.
- ⚠ 2. MAGNETICS
 APPLICATION: 10/100 BASE-T
 IMPEDANCE: 100 OHMS
 TURNS RATIO (CHIP:CABLE): TX = 1:1, RX = 1:1
 OPEN CIRCUIT INDUCTANCE (OCL): 350uH MIN @100kHz, 0.1VRMS,
 8mADC BIAS FROM 0°C TO 70°C, TX AND RX
 PERFORMANCE @ 25°C:
 INSERTION LOSS (IL): 1.1dB MAX FROM 0.5MHz TO 100MHz
 RETURN LOSS (RL): 18dB MIN FROM 0.5MHz TO 30MHz
 18-20LOG(f/30)dB MIN FROM 30.1MHz TO 60MHz
 12dB MIN FROM 60.1MHz TO 80MHz
 CROSSTALK ATTENUATION: 35dB MIN FROM 0.5MHz TO 40MHz
 33-20LOG(f/50)dB MIN FROM 40.1MHz TO 100MHz
 COMMON MODE REJECTION RATIO (CMRR): 30dB MIN FROM 0.5MHz TO 100MHz
 ISOLATION VOLTAGE: COMPLIES WITH IEEE802.3 2002, PARA 23.5.1.1, ITEM b.
- ⚠ 3. PART NUMBER, DATE CODE AND COUNTRY OF ORIGIN LOCATED IN APPROXIMATE AREA SHOWN. DATE CODE "YY" IS THE YEAR, "WW" IS THE WEEK, "D" IS THE DAY OF WEEK, WITH SUNDAY="1"
- ⚠ 4. AGENCY APPROVAL LOGO, TRP LOGO AND PRODUCT LOGO TO BE LOCATED IN APPROXIMATE AREA SHOWN.
5. OPERATING TEMP: FROM 0°C TO +70°C.
6. RJ45 CAVITY CONFORMS TO FCC RULES AND REGULATION PART 68 SUBPART F.
- ⚠ 7. DATUM AND BASIC DIMENSION ESTABLISHED BY CUSTOMER.
- ⚠ 8. BASIC DIMENSION ESTABLISHED BY CUSTOMER, BUT MAY NOT BE GREATER THAN 5.08mm.
9. LEDs ARE DRIVEN WITH CONSTANT CURRENT AT APPROX 20mA
 LED COLOR: DOMINANT WAVELENGTH (λD): GREEN 568 nm TYP. @ IF=20mA
 FORWARD VOLTAGE (VF): GREEN 2.2V TYP. @ IF=20mA
 DOMINANT WAVELENGTH (λD): YELLOW 588 nm TYP. @ IF=20mA
 FORWARD VOLTAGE (VF): YELLOW 2.1V TYP. @ IF=20mA
10. THESE PARTS ARE RECOMMENDED FOR WAVE SOLDERING PROCESS, PEAK SOLDERING TEMPERATURE IS 260 °C MAX, 10 SECONDS MAX.

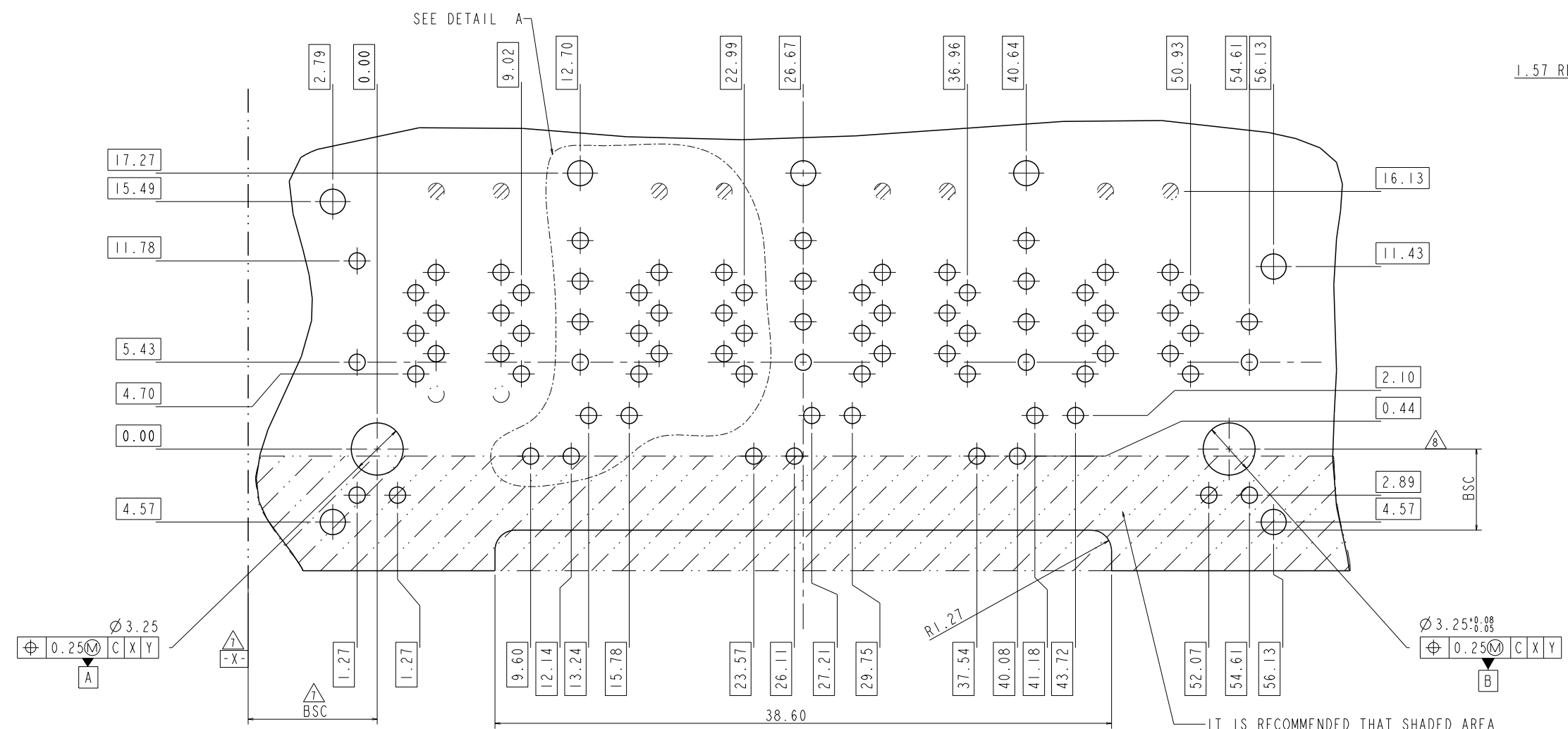
2.21	GREEN	YELLOW	GREEN	YELLOW	1840133-6
3.04	GRN/YEL	GREEN	GRN/YEL	GREEN	1840133-5
3.04	GRN/YEL	GRN/YEL	GRN/YEL	GRN/YEL	1840133-4
3.04	GREEN	YELLOW	GREEN	YELLOW	1840133-3
3.04	YELLOW	GREEN	GREEN	YELLOW	1840133-2
3.04	GREEN	GREEN	GREEN	GREEN	1840133-1
DIM A	BOTTOM LED NO. 2	BOTTOM LED NO. 1	TOP LED NO. 2	TOP LED NO. 1	PART NO.

THIS DRAWING IS A CONTROLLED DOCUMENT.		DWN KEKE YOUTH 19APR2006	 TRP CONNECTOR a bel group	DONGGUAN CHINA
DIMENSIONS: mm		CHK DENNIS CHEN 19APR2006		DESC 2X4 S866P9 10/100 W/ LED
TOLERANCES UNLESS OTHERWISE SPECIFIED:		APVD TEDDY XIANG 19APR2006	MODEL NAME MAGJACK	SIZE A1
 0 PLC ±0.25 1 PLC ±0.25 2 PLC ±0.25 3 PLC ±0.25 4 PLC ±0.25 ANGLES ±0.25		PRODUCT SPEC 108-2100	APPLICATION SPEC -	SCALE 4:1
CUSTOMER DRAWING		SHEET 1 OF 4		REV G



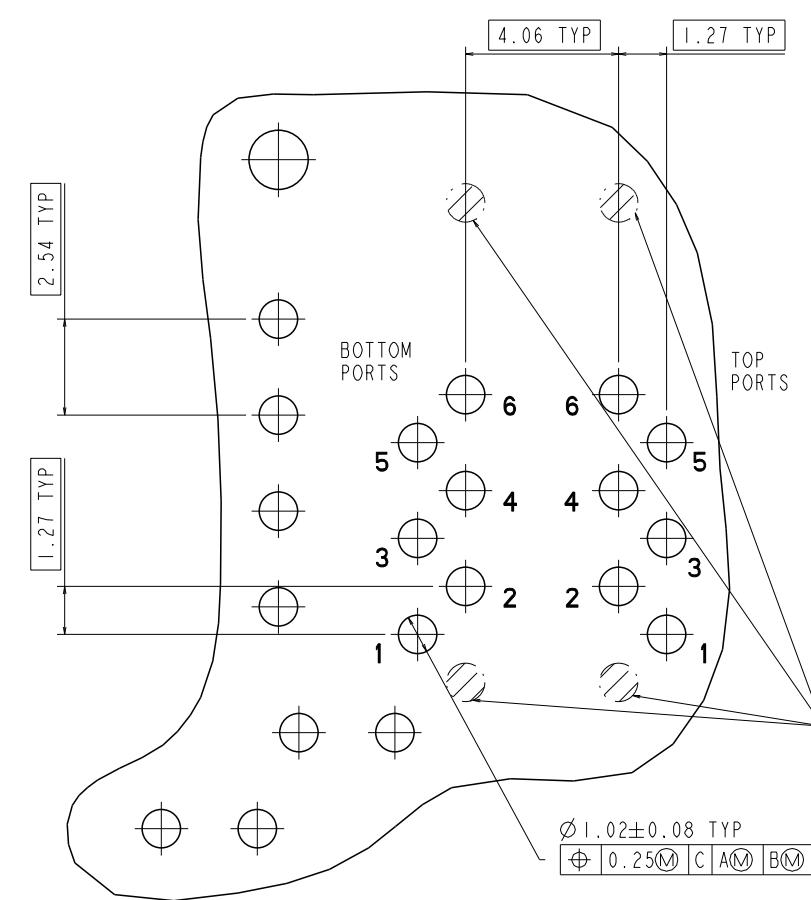
SIDE VIEW SHOWN WITH
 PANEL AND PCB
 FOR LOCATION

THIS DRAWING IS A CONTROLLED DOCUMENT.		DWN: HEKE YOUTH 19APR2006	TRP CONNECTOR a bel group DONGGUAN CHINA
DIMENSIONS: mm		CHK: DENNIS CHEN 19APR2006	
TOLERANCES UNLESS OTHERWISE SPECIFIED:		APP'D: TEDDY XIONG 19APR2006	
0 PLC ±0.25 1 PLC ±0.25 2 PLC ±0.25 3 PLC ±0.25 4 PLC ±0.25 ANGLES ±0.25	PRODUCT SPEC 108-2100 APPLICATION SPEC -	MODEL NAME: MAGJACK DESC: STACK NON-PoE	SIZE: A1 CAGE CODE: 1840133 DRAWING NO: 1840133 RESTRICTED TO: - SCALE: 4:1 SHEET: 2 OF 4 REV: G



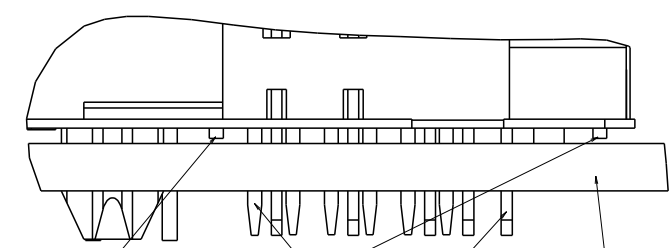
PC BOARD LAYOUT
VIEWED FROM COMPONENT SIDE
SCALE 6:1

IT IS RECOMMENDED THAT SHADED AREA
OF CUSTOMER PC BOARD BE CLEAR OF ANY
VIA HOLE, COMPONENT AND CIRCUIT TRACE



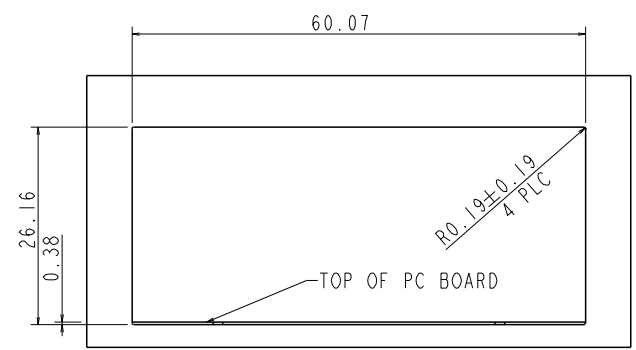
DETAIL A
PIN DESIGNATION
SCALE 10:1

PIN #0 & PIN #7 ON MOD JACK ARE STUB PINS WITH
LENGTH SIMILAR TO PCB STANOFF HEIGHT
PRECAUTIONS SHOULD BE TAKEN IN PCB DESIGN TO
GUARD AGAINST SHORTING TRACES TO STUB PINS.




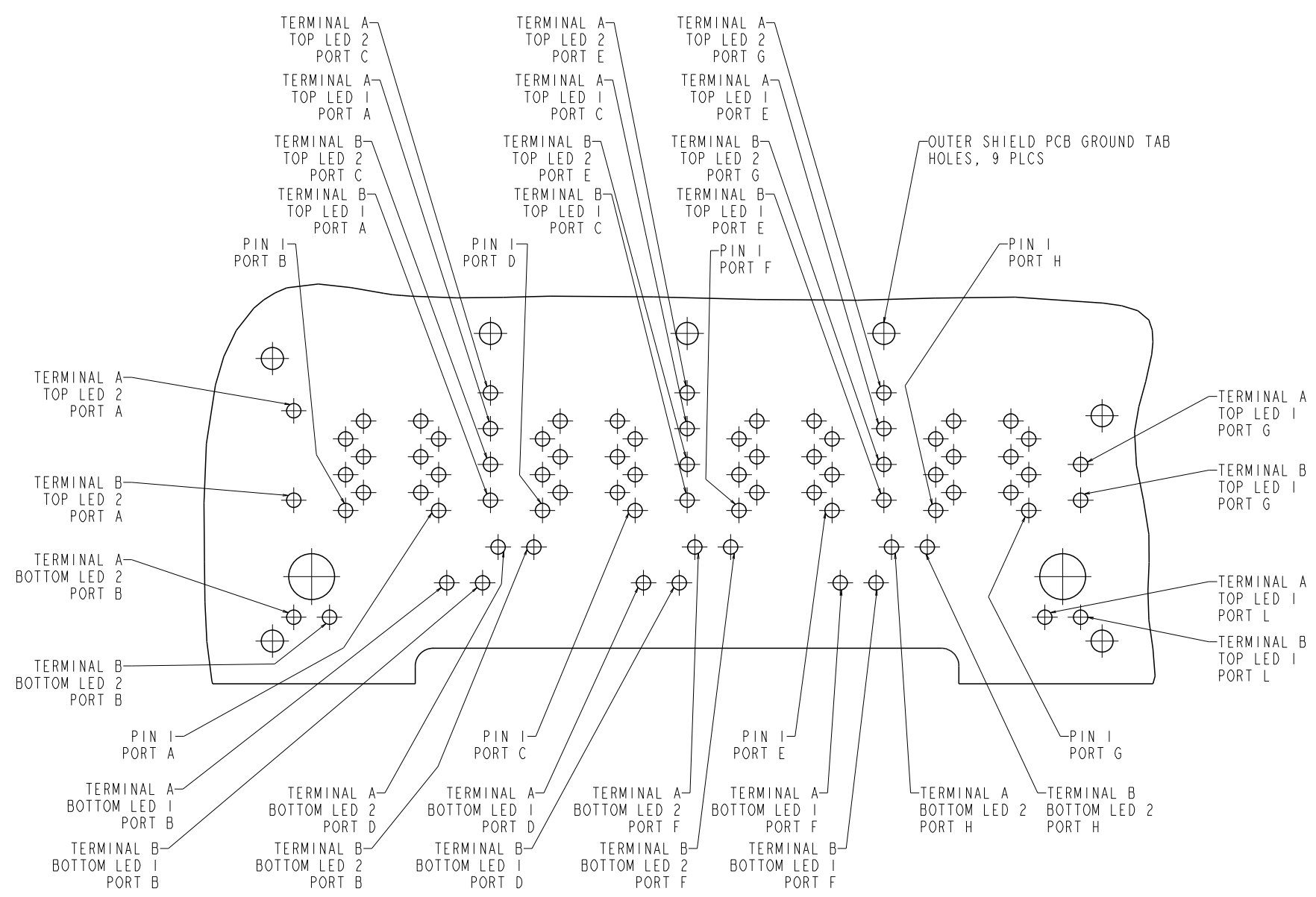
CUSTOMER PCB

SOLDER TAILS

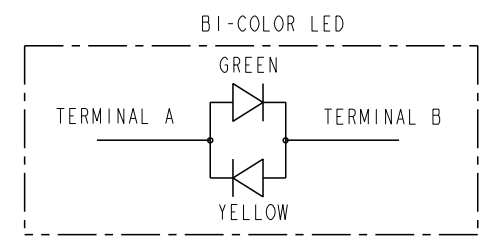
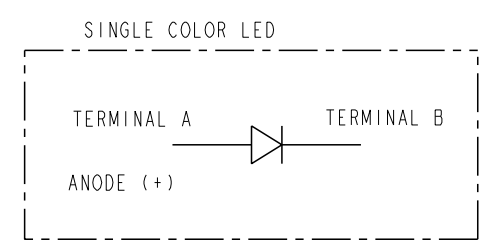



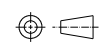
SUGGESTED PANEL CUTOUT DIMENSIONS

THIS DRAWING IS A CONTROLLED DOCUMENT.		DWN: HEKE YOUTH 19APR2006		DONGGUAN CHINA
DIMENSIONS: mm		CHK: DENNIS CHEN 19APR2006		
TOLERANCES UNLESS OTHERWISE SPECIFIED:		APP'D: TEDDY XIONG 19APR2006		
0 PLC ±0.25		MODEL NAME	DESC: 2X4 S866P9 10/100 W/ LED	
1 PLC ±0.25		SIZE CAGE CODE DRAWING NO RESTRICTED TO		
2 PLC ±0.25		MAGJACK		
3 PLC ±0.25		STACK NON-PoE		
4 PLC ±0.25		A1		
5 PLC ±0.25		SCALE 4:1 SHEET 3 OF 4 REV G		
6 PLC ±0.25		CUSTOMER DRAWING		
ANGLES		©=1840133		
PRODUCT SPEC 108-2100		APPLICATION SPEC		



LED HOLE DESIGNATION VIEWED FROM COMPONENT SIDE



THIS DRAWING IS A CONTROLLED DOCUMENT.		DWN: HEKE YOUTH 19APR2006		 DONGGUAN CHINA	
DIMENSIONS: mm		CHK: DENNIS CHEN 19APR2006			
 0 PLC ±0.25 1 PLC ±0.25 2 PLC ±0.25 3 PLC ±0.25 4 PLC ±0.25 ANGLES ±1°		APPV: TEDDY XIANG 19APR2006			
PRODUCT SPEC	APPLICATION SPEC	MODEL NAME		DESC	
108-2100	-	MAGJACK		2X4 S866P9 10/100 W/ LED	
CUSTOMER DRAWING		SIZE	CAGE CODE	DRAWING NO	RESTRICTED TO
		A1		1840133	-
		SCALE	SHEET		REV
		4:1	4 OF 4		G



Компания «ЭлектроПласт» предлагает заключение долгосрочных отношений при поставках импортных электронных компонентов на взаимовыгодных условиях!

Наши преимущества:

- Оперативные поставки широкого спектра электронных компонентов отечественного и импортного производства напрямую от производителей и с крупнейших мировых складов;
- Поставка более 17-ти миллионов наименований электронных компонентов;
- Поставка сложных, дефицитных, либо снятых с производства позиций;
- Оперативные сроки поставки под заказ (от 5 рабочих дней);
- Экспресс доставка в любую точку России;
- Техническая поддержка проекта, помощь в подборе аналогов, поставка прототипов;
- Система менеджмента качества сертифицирована по Международному стандарту ISO 9001;
- Лицензия ФСБ на осуществление работ с использованием сведений, составляющих государственную тайну;
- Поставка специализированных компонентов (Xilinx, Altera, Analog Devices, Intersil, Interpoint, Microsemi, Aeroflex, Peregrine, Syfer, Eurofarad, Texas Instrument, Miteq, Cobham, E2V, MA-COM, Hittite, Mini-Circuits, General Dynamics и др.);

Помимо этого, одним из направлений компании «ЭлектроПласт» является направление «Источники питания». Мы предлагаем Вам помощь Конструкторского отдела:

- Подбор оптимального решения, техническое обоснование при выборе компонента;
- Подбор аналогов;
- Консультации по применению компонента;
- Поставка образцов и прототипов;
- Техническая поддержка проекта;
- Защита от снятия компонента с производства.



Как с нами связаться

Телефон: 8 (812) 309 58 32 (многоканальный)

Факс: 8 (812) 320-02-42

Электронная почта: org@eplast1.ru

Адрес: 198099, г. Санкт-Петербург, ул. Калинина, дом 2, корпус 4, литера А.