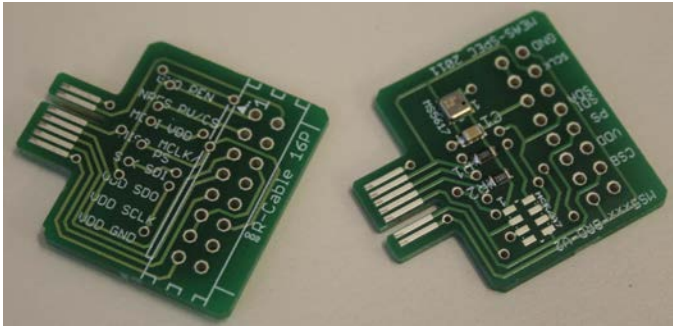


# Sample board for USB DEVELOPPER KIT



- Sample boards supporting several pressure modules including:
  - MS45xx family (on request only)
  - MS5536
  - MS5540 / 5541
  - MS5561
  - MS5607 / 5611
  - MS5637
  - MS5803
  - MS5805
  - MS5806
- 2 connectors on board:
  - USB Demo kit interface connector
  - 16 pins header user interface connector

## DESCRIPTION

The MS5xxx-BRD is a sample board family which may be plugged into the “MEAS USB DEVEL KEY” tool. It currently supports all our sensors family like the MS45xx, MS55xx, MS56xx and MS58xx. Communication protocols 3wires/SPI and I2c are available on dedicated sample boards. All Samples Boards have a USBDEVEL KEY connector and also a standard 2x8 pins connector for user applications.

## GENERAL BOARD DESCRIPTION

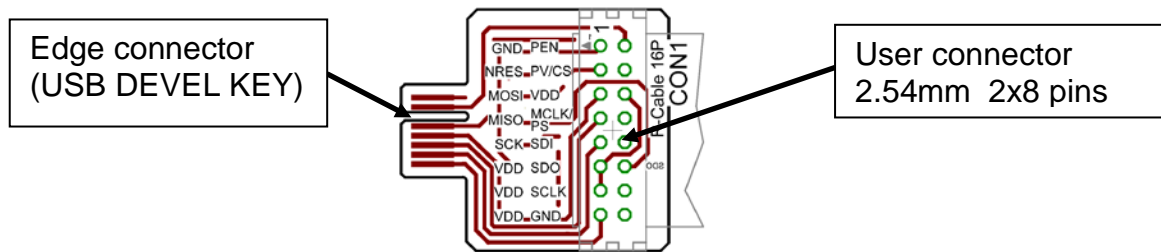


Figure 1 Top side view on Sample Board

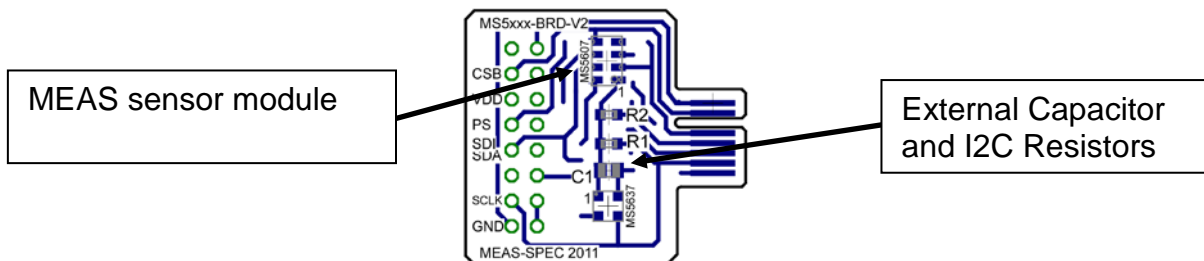


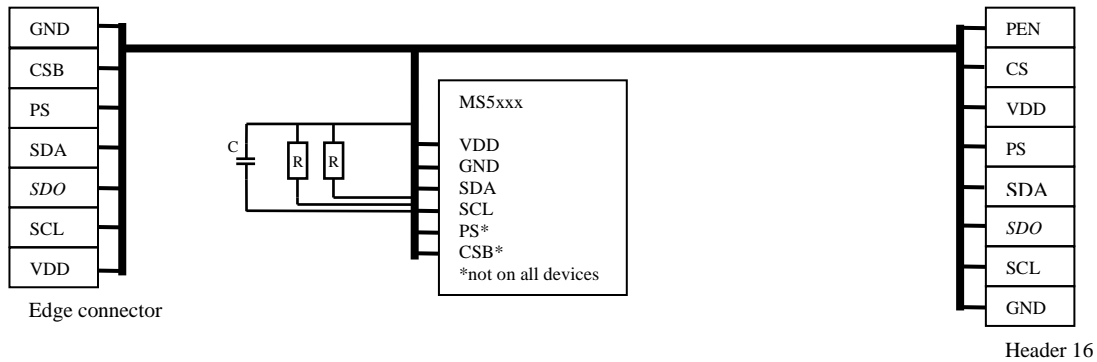
Figure 2 Bottom side view on Sample Board

# Sample board for USB DEVELOPPER KIT

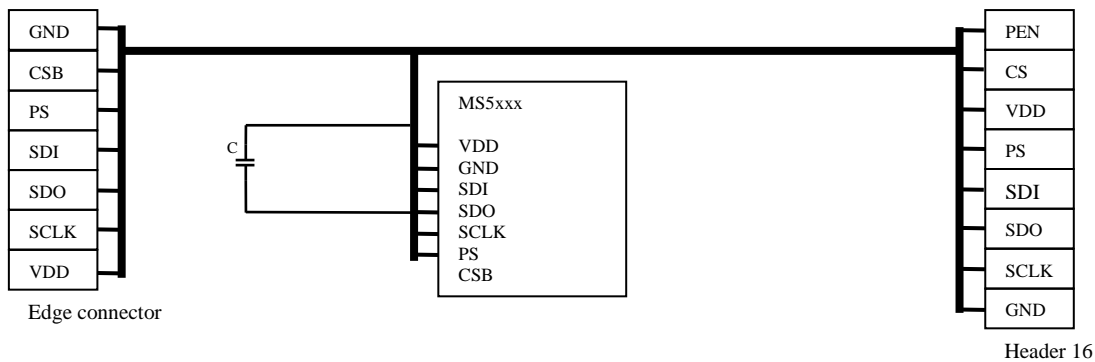
## GENERAL BOARD SCHEMATIC DESCRIPTION

The "PCB for SAMPLES BOARDS" is done to be connected to the USB DEVEL KEY and also to a Header of 2x8 pin for customer use. We have SAMPLES BOARDS for all our products with dedicated communication bus.

### SCHEMATIC FOR I2C BUS:



### SCHEMATIC FOR SPI BUS:



# Sample board for USB DEVELOPPER KIT

## BOARD PICTURES

### Samples board with sensors



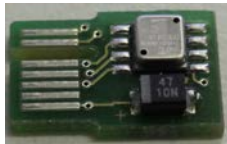
MS5536



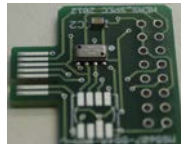
MS5701  
(replaced by MS45xx)



MS45xx



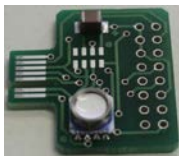
MS5561



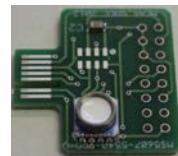
MS5607/MS5611



MS5637



MS5540/MS5541



MS5803

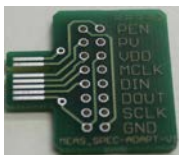


MS5805



MS5806

### Samples board for interfaces



Internal connection

## RECOMMENDED OPERATION CONDITIONS

Please refer to the sensor datasheet for all information.

Note: The total error is calculated to sum the different accuracy:

Total error = “Absolute accuracy”+”Maximum error with supply voltage”+”Long-term stability”

# Sample board for USB DEVELOPPER KIT

## HEADER 16 PINS INTERFACE PINOUT

The board also contains a complete 2.54 mm 2x8 PINOUT interface for signal monitoring or connection to a custom development board with a flat cable.

| • Pin Name            | • Pin | • Type | • Function                                       |
|-----------------------|-------|--------|--|
| <b>User interface</b> |       |        |  |
| PEN                   | 2     | I      | Programming enable (1)                           |
| PV/CS                 | 4     | I      | Negative programming voltage (1) / Chip Select   |
| VDD                   | 6     | P      | Positive supply voltage 3 volts from USB module* |
| MCLK/PS               | 8     | I      | Master clock (32.768 kHz) / Protocol select      |
| SDI                   | 10    | I      | Serial data input                                |
| SDO                   | 12    | O      | Serial data output                               |
| SCLK                  | 14    | I      | Serial data clock                                |
| GND                   | 16    | G      | Ground   |

*NOTE*

- 1) Pin 4 (PV) and PIN 2 (PEN) are only used by the manufacturer for MS55xx test and should not be connected.

| • Pin Name            | • Pin | • Type | • Function                                       |
|-----------------------|-------|--------|--|
| <b>User interface</b> |       |        |  |
| GND                   | 1     | G      | Ground   |
| NRESET                | 3     | I      | Do not connect                                   |
| MOSI                  | 4     | I/O    | Do not connect                                   |
| MISO                  | 7     | I/O    | Do not connect                                   |
| SCK                   | 9     | O      | Do not connect                                   |
| VDD                   | 11    | P      | Positive supply voltage 3 volts from USB module* |
| VDD                   | 13    | P      | Positive supply voltage 3 volts from USB module* |
| VDD                   | 15    | P      | Positive supply voltage 3 volts from USB module* |

Table 3: 2.54 mm 2x8 connector PINOUT

(\*) Only if USB DEVL KEY is connected

# Sample board for USB DEVELOPPER KIT

## EDGE CONNECTOR PINOUT

The edge connector bottom side contains all the connections required for the different sensors using either the I2C, SPI or 3 wires protocol with the USB DEVEL KEY.

| • Pin Name                             | • Pin | • Type | • Function   |
|--|-------|--------|--|
| <b>User interface</b>                  |       |        |  |
| GND                                    | 2     | G      | Ground   |
| PV/CSB                                 | 4     | N      | Negative programming voltage (2) / Chip Select           |
| MCLK/PS                                | 6     | I      | Master clock (32.768 kHz) / Protocol select              |
| DIN/SDI/SDA                            | 8     | I      | Serial data input  |
| SDO/-DOUT                              | 10    | O      | Serial data output                                       |
| SCLK/SCL                               | 12    | I      | Serial data clock  |
| VDD                                    | 14    | P      | Positive supply voltage 3 volts from USB module          |
| <b>Manufacturer reserved interface</b> |       |        |  |
| GND                                    | 1     | G      | Ground   |
| PEN                                    | 3     | I      | Programming enable (2)                                   |
| NRESET                                 | 5     | I      | Reset input active low for microcontroller               |
| MOSI                                   | 7     | O/I    | SPI output of microcontroller / external programming pin |
| MISO                                   | 9     | I/O    | SPI Input of microcontroller / external programming pin  |
| SCK                                    | 11    | O      | SPI of microcontroller clock                             |
| VDD                                    | 13    | P      | Positive supply voltage 3 volts from USB module          |

Table 4: USB DEVEL KEY connector PINOUT

*NOTE*

- Pin 3 (PV) and PIN 4 (PEN) are only used by the manufacturer for MS55xx test and should not be connected.

# Sample board for USB DEVELOPPER KIT

---

## MOUNTING AND ASSEMBLY CONSIDERATIONS

---

### SOLDERING

Please refer to the application note AN808 & AN809 available on our website for all soldering issues.

### MOUNTING

The sensors can be placed with automatic Pick & Place equipment using vacuum nozzles. They will not be damaged by the vacuum. Due to the low stress assembly the sensor does not show pressure hysteresis effects. It is important to solder all contact pads.

### CONNECTION TO PCB

The package outline of the module allows the use of a flexible PCB for interconnection. This can be important for applications in watches and other special devices.

### SEALING WITH O-RINGS

In products like outdoor watches the electronics must be protected against direct water or humidity. For those products the metal ring provides the possibility to seal with an O-ring. The metal ring is made of special anticorrosive stainless steel with a polished surface. In addition to this the ring is filled with silicone gel covering the sensor and the bonding wires. The O-ring (or O-rings) shall be placed at the outer diameter of the metal cap. This method avoids mechanical stress because the sensor can move in vertical direction.

### CLEANING

MEAS sensors have been manufactured under clean room conditions. It is therefore recommended to assemble the sensor under class 10'000 or better conditions. Should this not be possible, it is recommended to protect the sensor opening during assembly from entering particles and dust. To avoid cleaning of the PCB, solder paste of type "no-clean" shall be used. Cleaning might damage the sensor!

### ESD PRECAUTIONS

The electrical contact pads are protected against ESD up to 2 kV HBM (human body model). It is therefore essential to ground machines and personnel properly during assembly and handling of the device. MEAS Sensors are shipped in antistatic transport boxes. Any test adapters or production transport boxes used during the assembly of the sensor shall be of an equivalent antistatic material.

### DECOUPLING CAPACITOR

Particular care must be taken when connecting the device to the power supply. A 100nF ceramic capacitor or a 47µF ceramic capacitor for the MS55xx series is implemented on the PCB. This capacitor will stabilize the power supply during data conversion and thus, provide the highest possible accuracy.

### PULL-UP RESISTORS

Two pull up resistors are implemented on the PCB compatible with I2c bus. These resistors don't affect the use with the SPI bus.

# Sample board for USB DEVELOPPER KIT

## ORDERING INFORMATION

| Product                       | Part Number / Art. Number |
|-------------------------------|---------------------------|
| Samples board MS5536-60CPJU   | PROTO-5536-60-BRD         |
| Samples board MS5536-CNJU     | PROTO-5536-CN-BRD         |
| Samples board MS5540-CM       | PROTO-5540-CM-BRD         |
| Samples board MS5541-14BA-CM  | PROTO-5541-14-BRD         |
| Samples board MS5541-30BA-CM  | PROTO-5541-30-BRD         |
| Samples board MS5561-C        | PROTO-5561-C-BRD          |
| Samples board MS5607-02BA03   | PROTO-5607-02-BRD         |
| Samples board MS5611-01BA03   | PROTO-5611-01-BRD         |
| Samples board MS5637-02BA03   | PROTO-5637-02-BRD         |
| Samples board MS5803-01BA01   | PROTO-5803-01-BRD         |
| Samples board MS5803-02BA01   | PROTO-5803-02-BRD         |
| Samples board MS5803-05BA01   | PROTO-5803-05-BRD         |
| Samples board MS5803-14BA01   | PROTO-5803-14-BRD         |
| Samples board MS5803-30BA01   | PROTO-5803-30-BRD         |
| Samples board MS5805-02BA01   | PROTO-5805-02-BRD         |
| Samples board MS5806-02BA52   | PROTO-5806-02-BRD         |
|                               |                           |
| Samples board MS45xx          | On request only           |
|                               |                           |
| PCB DEVEL Internal Connection | PROTO-PCBDEVELBRD         |
| USB DEVELOPMENT KIT           | PROTO-USBDEVELKIT         |

## FACTORY CONTACTS

### NORTH AMERICA

Measurement Specialties  
45738 Northport Loop West  
Fremont, CA 94538

Tel: +1 800 767 1888  
Fax: +1 510 498 1578  
e-mail: [pfg.cs.amer.ch@meas-spec.com](mailto:pfg.cs.amer.ch@meas-spec.com)  
Website: [www.meas-spec.com](http://www.meas-spec.com)

### EUROPE

MEAS Switzerland SA  
Ch. Chapons-des-Prés 11  
CH-2022 Bevaix

Tel: +41 32 847 9550  
Fax: + 41 32 847 9569  
e-mail: [sales.ch@meas-spec.com](mailto:sales.ch@meas-spec.com)  
Website: [www.meas-spec.com](http://www.meas-spec.com)

### ASIA

Measurement Specialties (China), Ltd.  
No. 26 Langshan Road  
Shenzhen High-Tech Park (North)  
Nanshan District, Shenzhen, 518107  
China

Tel: +86 755 3330 5088  
Fax: +86 755 3330 5099  
e-mail: [pfg.cs.asia@meas-spec.com](mailto:pfg.cs.asia@meas-spec.com)  
Website: [www.meas-spec.com](http://www.meas-spec.com)

The information in this sheet has been carefully reviewed and is believed to be accurate; however, no responsibility is assumed for inaccuracies. Furthermore, this information does not convey to the purchaser of such devices any license under the patent rights to the manufacturer. Measurement Specialties, Inc. reserves the right to make changes without further notice to any product herein. Measurement Specialties, Inc. makes no warranty, representation or guarantee regarding the suitability of its product for any particular purpose, nor does Measurement Specialties, Inc. assume any liability arising out of the application or use of any product or circuit and specifically disclaims any and all liability, including without limitation consequential or incidental damages. Typical parameters can and do vary in different applications. All operating parameters must be validated for each customer application by customer's technical experts. Measurement Specialties, Inc. does not convey any license under its patent rights nor the rights of others.



Компания «ЭлектроПласт» предлагает заключение долгосрочных отношений при поставках импортных электронных компонентов на взаимовыгодных условиях!

Наши преимущества:

- Оперативные поставки широкого спектра электронных компонентов отечественного и импортного производства напрямую от производителей и с крупнейших мировых складов;
- Поставка более 17-ти миллионов наименований электронных компонентов;
- Поставка сложных, дефицитных, либо снятых с производства позиций;
- Оперативные сроки поставки под заказ (от 5 рабочих дней);
- Экспресс доставка в любую точку России;
- Техническая поддержка проекта, помощь в подборе аналогов, поставка прототипов;
- Система менеджмента качества сертифицирована по Международному стандарту ISO 9001;
- Лицензия ФСБ на осуществление работ с использованием сведений, составляющих государственную тайну;
- Поставка специализированных компонентов (Xilinx, Altera, Analog Devices, Intersil, Interpoint, Microsemi, Aeroflex, Peregrine, Syfer, Eurofarad, Texas Instrument, Miteq, Cobham, E2V, MA-COM, Hittite, Mini-Circuits, General Dynamics и др.);

Помимо этого, одним из направлений компании «ЭлектроПласт» является направление «Источники питания». Мы предлагаем Вам помощь Конструкторского отдела:

- Подбор оптимального решения, техническое обоснование при выборе компонента;
- Подбор аналогов;
- Консультации по применению компонента;
- Поставка образцов и прототипов;
- Техническая поддержка проекта;
- Защита от снятия компонента с производства.



#### Как с нами связаться

**Телефон:** 8 (812) 309 58 32 (многоканальный)

**Факс:** 8 (812) 320-02-42

**Электронная почта:** [org@eplast1.ru](mailto:org@eplast1.ru)

**Адрес:** 198099, г. Санкт-Петербург, ул. Калинина, дом 2, корпус 4, литера А.