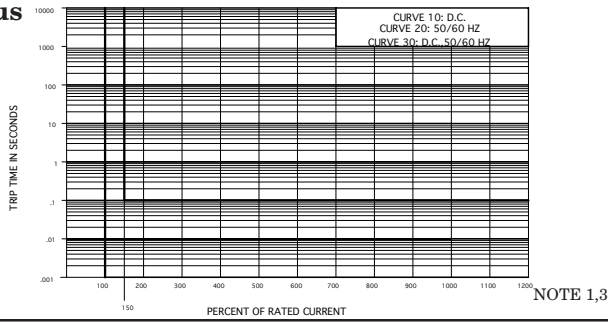
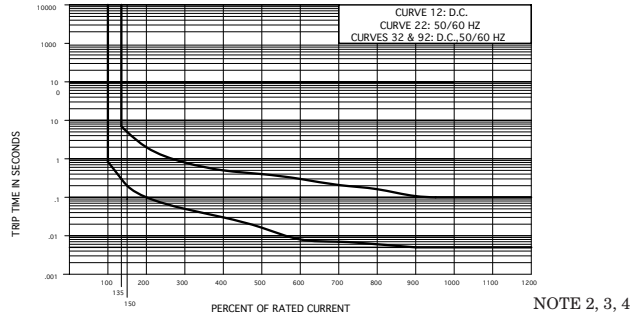


## Time Delay Values (M and Q Series) Dual Rated AC/DC

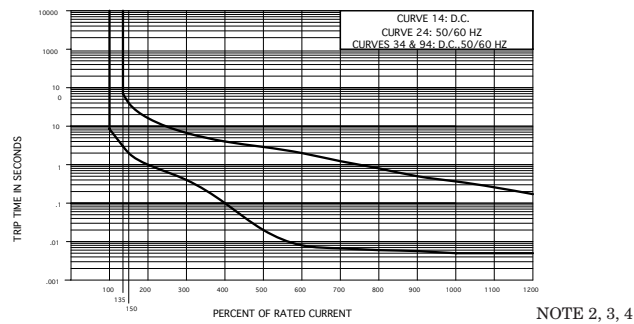
### Instantaneous



### Short



### Medium

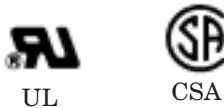


		PERCENT OF RATED CURRENT								
TRIP TIME (SECONDS)	DELAY	100%	135%	150%	200%	400%	600%	800%	1000%	1200%
		10, 20 & 30	NO TRIP	MAY TRIP	.100 MAX.	.100 MAX.	.100 MAX.	.100 MAX.	.100 MAX.	.100 MAX.
	12, 22, 32 & 92	NO TRIP	.300 - 7.00	.200 - 5.00	.100 - 2.00	.030 - .500	.008 - .300	.006 - .150	.005 - .100	.005 - .100
	14, 24, 34 & 94	NO TRIP	3.00 - 70.0	2.00 - 40.0	1.00 - 15.0	.100 - 4.00	.008 - 2.00	.006 - .800	.005 - .350	.005 - .160

#### NOTES

- 1 Breakers to hold 100% and must trip at 150% of rated current and greater within the time limit shown in this curve.
- 2 Breakers to hold 100% and must trip at 135% of rated current and greater within the time limits shown in this curve.
- 3 Curve data shown represents breaker response at ambient temperature of 77°F (25°C) with no preloading. Breakers are mounted in standard wall mount position.
- 4 The minimum inrush pulse tolerance handling capacity on the above standard delays is 12 times rated current based on a 60 Hz, 1/2 cycle 8 ms pulse for delay curves 22, 24, 32 and 34 and is 18 times rated current up to 20 amps; 14 times rated current up to 25 amps based on a 60Hz, 1/2 cycle 8 ms pulse for delay curves 92 and 94.

**Q-Series – Rocker Actuator**



The Q-Series magnetic circuit breakers are designed for those demanding applications where space, aesthetics and snap-in front panel mounting are important. Available in a choice of rocker actuator styles and colors including the Visi-Rocker® two-color actuators as well as non-illuminated or illuminated versions with LED or neon bulbs. The exclusive Rockerguard® bezel helps prevent inadvertent actuation. “Wiping” contact design insures long term reliability. Various styling options allow design flexibility.

1-2 poles, 0.02 to 25 amps, up to 250 VAC or 65 VDC. Available with a choice of time delays, terminals, actuator styles and colors.

**Agency Approvals**

UL Recognized under the Component Recognition Program as Protectors, Supplementary (Guide QVNU2, File E75596), UL Standard 1077 and Switches, Industrial Control (Guide NRNT2, File E148683), UL Standard 508.

CSA Certified as Supplementary Protectors under Class 3215 01, File LR47848. CSA Standard C 22.2 No. 235.

**General Specifications**

**ELECTRICAL**

**Table A:** Lists UL Recognized and CSA Certified configurations and performance capabilities as a Component Supplementary Protector.

AS A COMPONENT SUPPLEMENTARY PROTECTOR								
CIRCUIT CONFIGURATION	VOLTAGE			CURRENT RATING		POLES BREAKING	INTERRUPTING CAPACITY (AMPS) w/o Backup Fuse UL/CSA	INTERRUPTING CAPACITY (AMPS) w/Backup Fuse UL/CSA
	MAX RATING	FREQUENCY	PHASE	FULL LOAD AMPS <sup>[1]</sup>	GENERAL PURPOSE AMPS <sup>[2]</sup>			
SERIES	32	D.C.	-	0.02 - 15	15.1 - 25	1	1000	-
	50 <sup>[3]</sup>	D.C.	-	-	0.02 - 7.5	1	1000	-
	65	D.C.	-	0.02 - 15	15.1 - 25	2	1000	-
	125	50/60Hz	1	0.02 - 15	15.1 - 25	1	1000	-
	250	50/60Hz	1	0.02 - 12	-	1	1000	-
	250	50/60Hz	1	0.02 - 15	15.1 - 25	2	1000	-
	250 <sup>[3]</sup>	50/60Hz	1	-	12.1 - 18	1	-	1000 <sup>[4]</sup>

**Table B:** Lists UL Recognized and CSA Certified configurations and performance capabilities as an Industrial Control Switch.

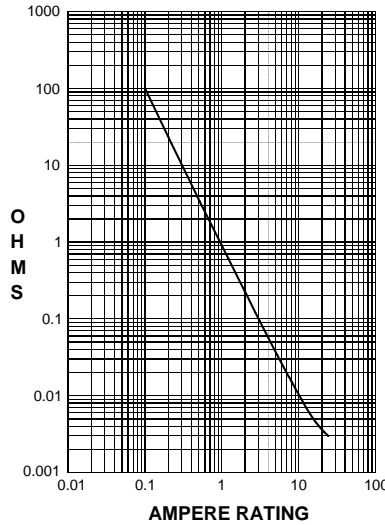
AS AN INDUSTRIAL CONTROL SWITCH							
CIRCUIT CONFIGURATION	VOLTAGE			CURRENT RATING			POLES BREAKING
	MAX RATING	FREQUENCY	PHASE	FULL LOAD AMPS <sup>[1]</sup>	GENERAL PURPOSE AMPS <sup>[2]</sup>	TUNGSTEN LAMP LOAD AMPS	
SWITCH ONLY	32	D.C.	-	15	25	-	1
	50 <sup>[3]</sup>	D.C.	-	-	7.5	-	1
	65	D.C.	-	15	25	-	2
	125	50/60Hz	1	15	25	15	1
	250	50/60Hz	1	12	-	-	1
	250	50/60Hz	1	15	25	-	2

NOTES

- 1 For Motor Load Applications.
- 2 For Non-Motor Load Applications.
- 3 Available under special catalog number only; consult factory.
- 4 Requires Branch Circuit backup with a UL Listed Type K-5 or RK-5 fuse rated 60 amps maximum.

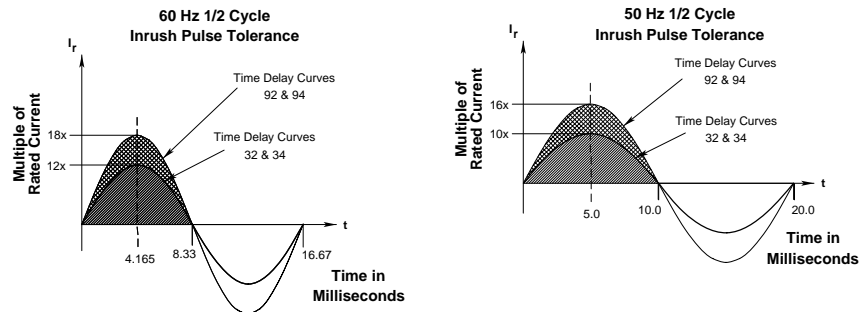
**General Specifications (cont.)**

Maximum Voltage 125/250 VAC 50/60 Hz, 65 VDC (See Table A)  
 Current Ratings Standard current coils: 0.100, 0.250, 0.500, 0.750, 1.00 thru 15.0 in 1 amp increments, 18.0, 20.0, 25.0. Other ratings available - consult factory.  
 Auxiliary Switch Rating SPDT; 7 Amps - 250VAC, 7 Amps (Res)-28 VDC, 4 Amps (Ind.)-28 VDC (silver contacts), 0.1 Amps -125VAC (gold contacts).  
 Insulation Resistance Minimum of 100 Megohms at 500 VDC.  
 Dielectric Strength UL, CSA 1500V, 60 Hz for one minute between all electrically isolated terminals. Q-Series Non-Illuminated Circuit Breakers comply with the 8mm spacing and 3750 V 50/60Hz dielectric requirements from hazardous voltage to operator accessible surfaces, per IEC Publications 380/VDE 0806 and 435/VDE 0805.  
 Resistance, Impedance Values from Line to Load Terminal - based on Series Trip Circuit Breaker



CURRENT (AMPS)	TOLERANCE (%)
0.10 - 20.0	±25
20.1 - 25.0	±35

**Pulse Tolerance Curves**



**MECHANICAL**

Endurance 10,000 ON-OFF operations @ 6 per minute with rated Current and Voltage.  
 Trip Free All Q-Series Rocker Type Circuit Breakers will trip on overload, even when rocker is forcibly held in the ON position.

Trip Indication The actuator moves positively to the OFF position when an overload causes the circuit breaker to trip.

**ENVIRONMENTAL**

Environmental Designed and tested in accordance with requirements of specification MIL-C- 55629 and MIL-STD-202 as follows:

Shock Withstands 100 Gs, 6ms, sawtooth while carrying rated current per Method 213, Cond. I. Instantaneous curves tested at 80% of rated current.

Vibration Withstands 0.060" excursion from 10-55 Hz, and 10 Gs 55-500 Hz, at rated current per Method 204C, Test Condition A. Instantaneous curves tested at 80% of rated current.

Moisture Resistance Method 106D, i.e., ten 24-hour cycles @ + 25°C to +65°C, 80-98% RH.

Salt Spray Method 101, Condition A (90-95% RH @ 5% NaCl Solution, 96 hrs).

Thermal Shock Method 107D, Condition A (Five cycles @ -55°C to +25°C to +85°C to +25°C).

Operating Temperature -40° C to +85° C

Chemical Resistance Only the outside surfaces of the case and the rockers may be cleaned with detergents or alcohol. Organic (hydrocarbon based) solvents are not recommended because they attack plastics. Caution should be taken when solvents are used to clean and remove flux from terminals. Lubricants should not be introduced into the rocker/bezel openings.

**PHYSICAL**

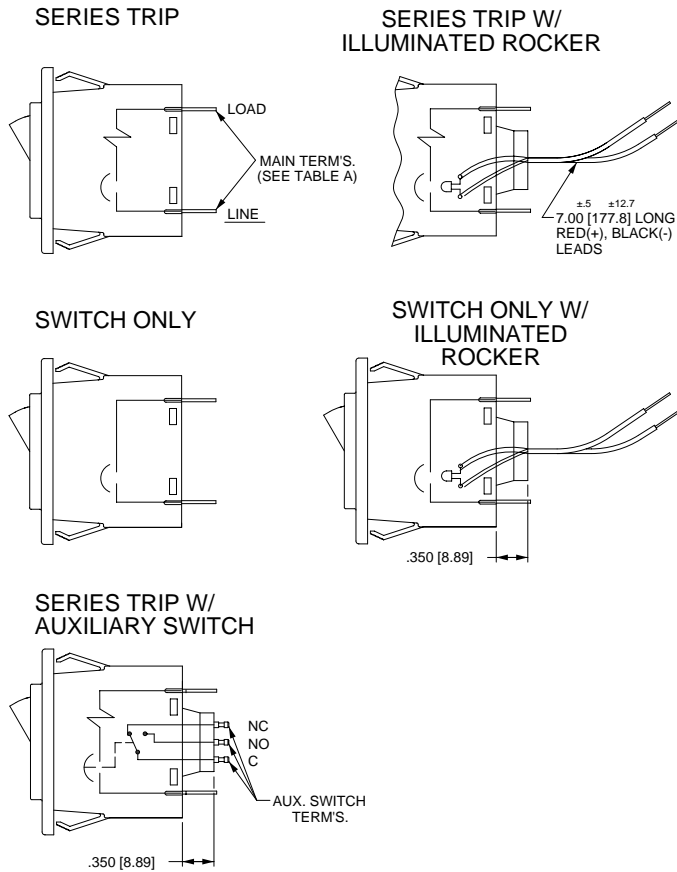
Number of Poles 1 or 2

Internal Circuit Configurations Series with or without Auxiliary Switch and Rocker Illumination. Switch Only with or without Auxiliary Switch and Rocker Illumination.

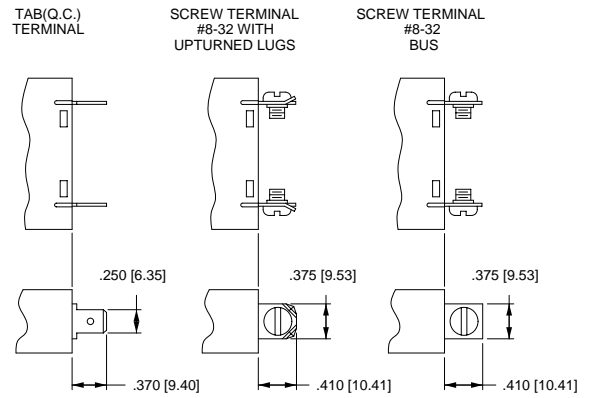
Weight Approximately 34 grams/pole (Approximately 1.2 ounces/pole)

Standard Colors Housing-Black, White or Gray; Actuator- See Ordering Scheme.

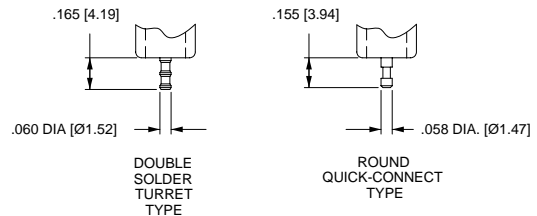
## Circuit and Terminal Diagrams



### TERMINAL DIMENSIONAL DETAIL



### AUXILIARY SWITCH TERMINALS



### MULTI-POLE IDENTIFICATION SCHEME

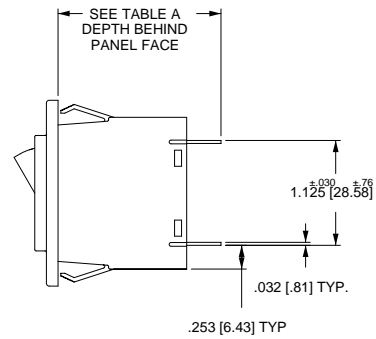
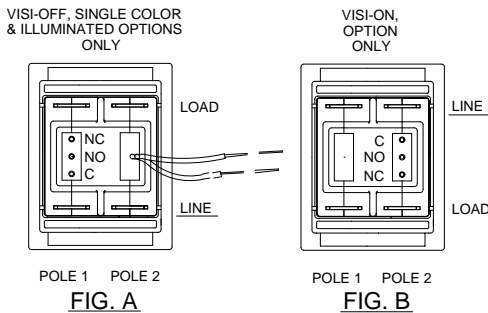


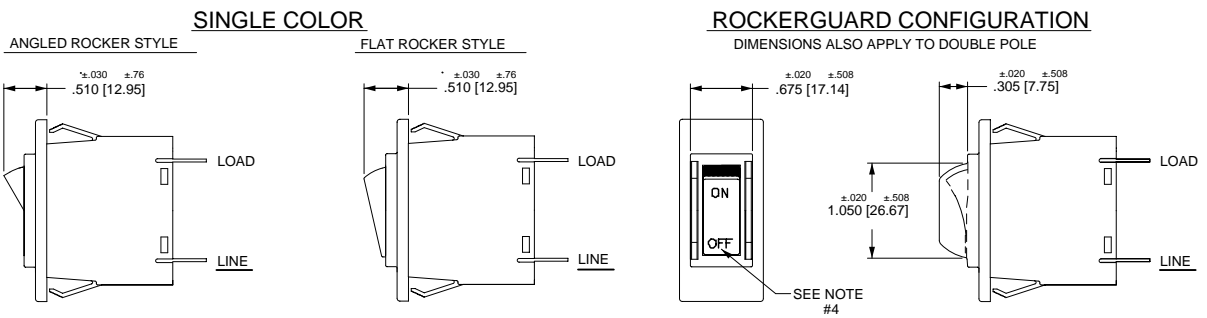
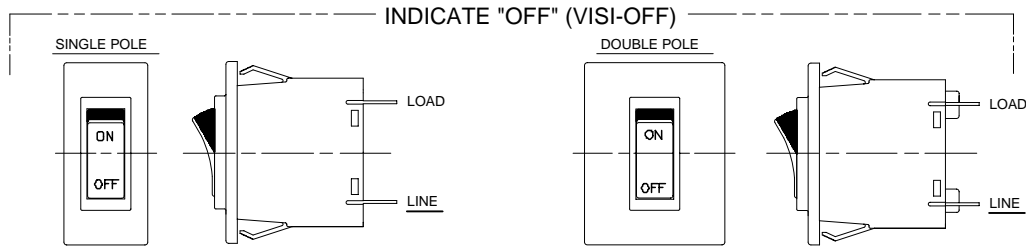
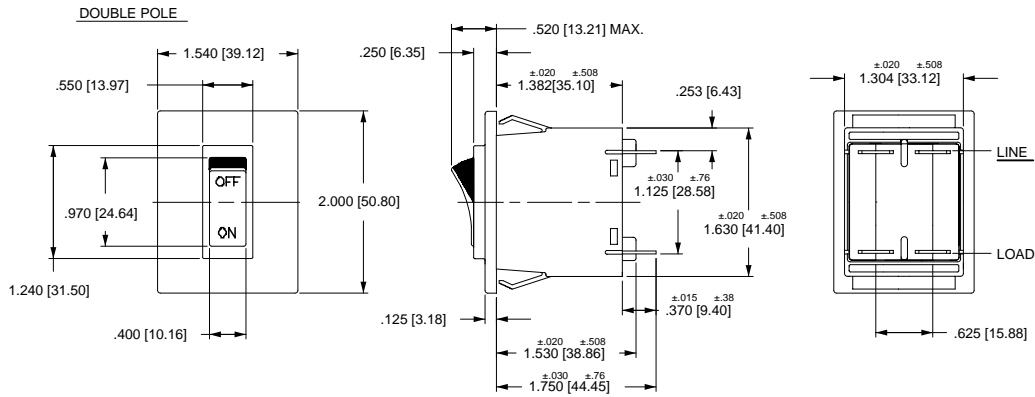
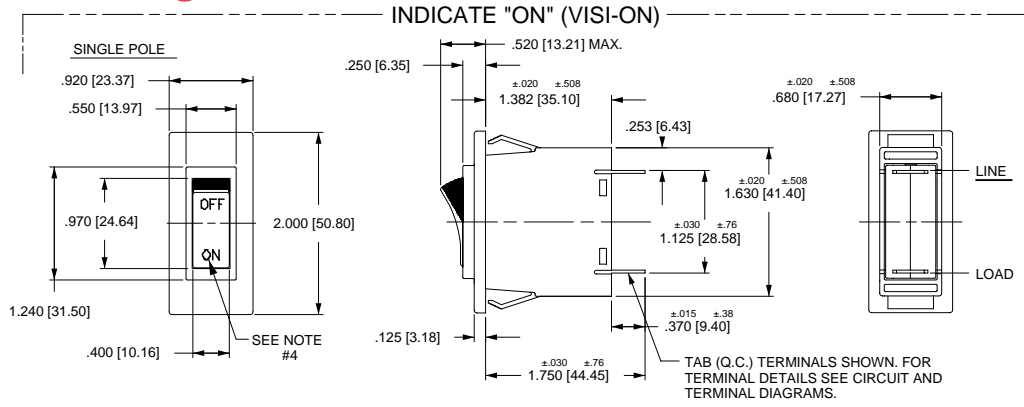
TABLE - A		
TERMINAL DESCRIPTION		DEPTH BEHIND PANEL FACE
MAIN	TAB (Q.C.)	1.750 / 44.45
	SCREW (#8-32)	1.790 / 45.47
AUX.* SWITCH	DOUBLE SOLDER TURRET TYPE	1.895 / 48.13
	ROUND Q.C. TYPE	1.885 / 47.88

\*AUX. SWITCH IS NOT AVAILABLE ON SINGLE POLE ILLUMINATED UNITS. WHEN CALLED FOR ON MULTI-POLE UNITS, ONLY ONE AUX SWITCH IS NORMALLY SUPPLIED, MOUNTED AS SHOWN IN FIG. A OR FIG. B.

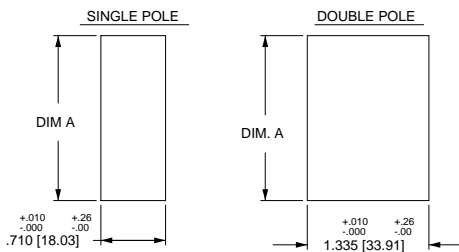
#### NOTES

- All dimensions are in inches [millimeters].
- Tolerance  $\pm 0.015$  [.38] unless otherwise specified.

## Form and Fit Drawings



### PANEL CUT-OUT DETAIL



PANEL THICKNESS	DIM. A ±.005 [±.13]
.062 [1.57]	1.775 [45.09]
.093 [2.36]	1.810 [45.97]
.125 [3.18]	1.850 [46.99]

### NOTES

- All dimensions are in inches [millimeters].
- Tolerance  $\pm 0.015$  [.38] unless otherwise specified.

## Ordering Scheme

### PROD CODE

**Q**

### POLES

**1** One  
**2** Two

### FREQUENCY & DELAY

**03<sup>s</sup>** No Delay Applicable  
DC, 50/60Hz "Switch Only" circuit option  
**30** DC, 50/60Hz Instant  
**32** DC, 50/60Hz Short  
**34** DC, 50/60Hz Medium  
**92** DC, 50/60 Hz Short High Inrush  
**94** DC, 50/60Hz Medium High Inrush

Figure G

ROCKER STYLE DESCRIPTION (DUAL LEGEND SHOWN)				
STYLE	INDICATE - "ON" (CODE-D)	INDICATE - "OFF" (CODE-E)	FLAT (CODES-B & G)	ANGLED (CODES-A & F)
VERTICAL				
HORIZONTAL				

**Q G 2 - B - 34 -**

### ACTUATOR<sup>1</sup>

NON-ILLUMINATED ROCKER  
SINGLE COLOR

**A** Angled  
**B** Flat

VISI-ROCKER

**D** Indicate ON  
**E** Indicate OFF

ILLUMINATED ROCKER

**F** Angled  
**G** Flat

### CIRCUIT

WITHOUT AUXILIARY SWITCH

**A<sup>s</sup>** Switch Only (No Coil)/Maintained Contacts  
**B** Series Trip (Current Coil)

**Circuit**

WITH AUXILIARY SWITCH - SILVER CONTACTS<sup>2</sup>

	Aux. Switch Term. Type
<b>P<sup>s</sup></b> Switch Only (Maintained Contacts)	.060 Dia. Dbl. Solder Turret
<b>Q<sup>s</sup></b> Switch Only (Maintained Contacts)	.058 Dia. Round Q.C. <sup>9</sup>
<b>S</b> Series Trip (Current Coil)	.060 Dia. Dbl. Solder Turret
<b>T</b> Series Trip (Current Coil)	.058 Dia. Round Q.C. <sup>9</sup>

WITH AUXILIARY SWITCH - GOLD CONTACTS<sup>2</sup>

<b>2<sup>s</sup></b> Switch Only (Maintained Contacts)	.058 Dia. Round Q.C. <sup>9</sup>
<b>4</b> Series Trip (Current Coil)	.058 Dia. Round Q.C. <sup>9</sup>

### NOTES

- Angled Rocker Style: Flat Rocker Style: Visi-Rocker Style:   
One rocker per unit is provided in center of bezel. Unless otherwise specified, all rocker styles have matte finish.
- Auxiliary Switch is not available on single pole illuminated styles.
- This is only a partial listing of the many amp ratings available. For other ratings, please consult factory.
- For neon bulb applications at 120VAC, a 47K, 1/4 WATT, external resistor must be supplied by customer. For 250 VAC applications, a 150K 1/4 WATT, external resistor must be supplied by customer.
- For LED (DC or rectified AC) applications the LED is supplied mounted in the center of the rocker actuator with electrical characteristics as follows: 100 millicandela at 20 mA; Maximum power dissipation = 75 mW at 25°C; Typical forward voltage = 2.1V at 20mA; Typical reverse current = 100 uA at 3V; **Note: Customer is required to supply the proper external resistor limiting current to above values.**
- When visi-rocker is specified, the visi portion of the rocker can not be the same color as the bezel. The remainder of the rocker, however, will be the same color as the bezel. A legend is mandatory on all visi-rockers.
- If legend not desired, choose Rocker Legend Type Code 1.
- For "switch only" (no coil) version, select Current Coil Rating Code from table B on page 28.
- Mates with AMP: .058 inch Dia. Pin Receptacles; P/N's 61983-1 (gold plated) and 61986-1 (tin plated).
- Rocker color for LED's and green neon lamp must be clear, smoke gray, white translucent, or match color of LED or lamp.
- Dual = I-O / ON-OFF combination.
- Consult factory for VDE Certified versions.

**TERMINAL**

<b>1</b>	Push-On 0.250 Tab (Q.C.)
<b>2</b>	Screw 8-32 w/upturned lugs
<b>3</b>	Screw 8-32 (Bus Type)

**ROCKER & LEGEND COLORS**

**ILLUMINATED ROCKER<sup>10</sup>**

ROCKER	LEGEND <sup>7</sup>
<b>A</b> Clear	White
<b>B</b> Red Transparent	White
<b>C</b> Green Transparent	White
<b>D</b> Amber Transparent	White
<b>E</b> Smoke Gray Transparent	White
<b>F</b> White Translucent	Black

**NON-ILLUMINATED ROCKER  
SINGLE COLOR**

ROCKER	LEGEND <sup>7</sup>
<b>1</b> White	Black
<b>2</b> Black	White
<b>3</b> Red	White
<b>8</b> Orange	Black

**VISI-ROCKER  
VISI<sup>6</sup> & LEGEND**

VISI <sup>6</sup> & LEGEND	ROCKER <sup>6</sup>
<b>1</b> White	[ Remainder of rocker same color as bezel ]
<b>2</b> Black	
<b>3</b> Red	
<b>4</b> Green	

**BEZEL COLOR/STYLE<sup>6</sup>**

**WITHOUT ROCKERGUARD**

<b>A</b>	White
<b>B</b>	Black
<b>G</b>	Gray

**WITH ROCKERGUARD**

<b>1</b>	White
<b>2</b>	Black
<b>7</b>	Gray

**620 - 1 - H C 6 - 7 - C**

**CURRENT  
COIL RATING<sup>3</sup>**

(amperes)

<b>210</b>	0.100
<b>225</b>	0.250
<b>250</b>	0.500
<b>275</b>	0.750
<b>410</b>	1.000
<b>420</b>	2.000
<b>425</b>	2.500
<b>430</b>	3.000
<b>440</b>	4.000
<b>450</b>	5.000
<b>460</b>	6.000
<b>470</b>	7.000
<b>475</b>	7.500
<b>480</b>	8.000
<b>490</b>	9.000
<b>610</b>	10.000
<b>611</b>	11.000
<b>612</b>	12.000
<b>613</b>	13.000
<b>614</b>	14.000
<b>615</b>	15.000
<b>618</b>	18.000
<b>620</b>	20.000
<b>625</b>	25.000

**ROCKER ILLUMINATION**

<b>A</b>	NON-ILLUMINATED (single color & Visi-Rocker options only)
<b>B<sup>4</sup></b>	Neon (w/o resistor) 120VAC/250VAC
<b>C<sup>4,10</sup></b>	Green Glow Neon (w/o resistor) 120VAC/250VAC
<b>D<sup>5,10</sup></b>	Red LED (w/o resistor)
<b>E<sup>10</sup></b>	Red LED (w/ resistor) 4-8 VDC
<b>F<sup>10</sup></b>	Red LED (w/ resistor) 9-16 VDC
<b>G<sup>5,10</sup></b>	Green LED (w/o resistor)
<b>H<sup>10</sup></b>	Green LED (w/ resistor) 4-8 VDC
<b>J<sup>10</sup></b>	Green LED (w/ resistor) 9-16 VDC
<b>K<sup>5,10</sup></b>	Amber LED (w/o resistor)
<b>L<sup>10</sup></b>	Amber LED (w/ resistor) 4-8 VDC
<b>M<sup>10</sup></b>	Amber LED (w/ resistor) 9-16 VDC

**ROCKER LEGEND<sup>11</sup>**

<b>1</b>	No legend (Single color or illuminated rocker options only)
<b>2</b>	ON-OFF Vertical
<b>3</b>	ON-OFF Horizontal
<b>4</b>	I-O Vertical
<b>5</b>	I-O Horizontal
<b>6</b>	Dual Vertical
<b>7</b>	Dual Horizontal

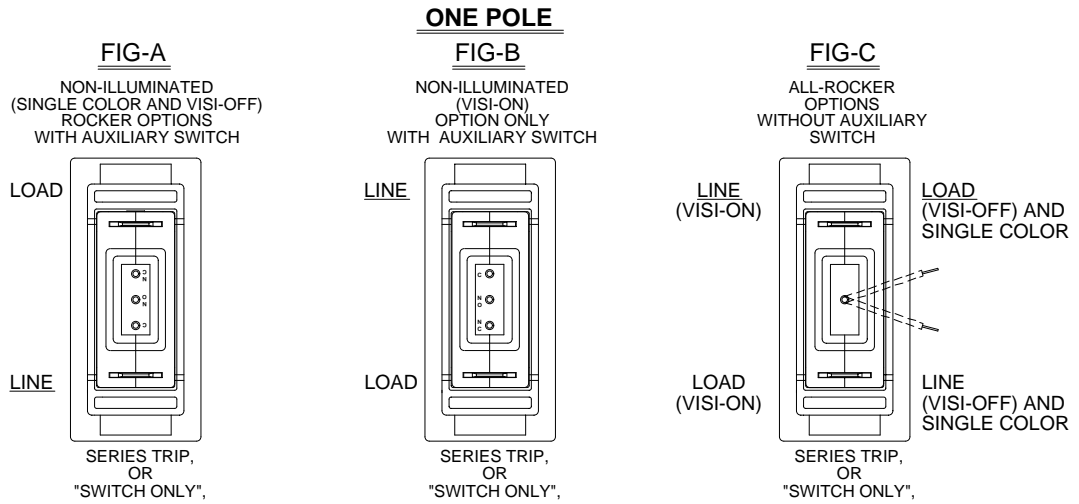
**AGENCY APPROVAL<sup>12</sup>**

<b>A</b>	W/O Approval
<b>B</b>	UL Recognized
<b>C</b>	UL Recognized; CSA Certified

## Q-Series – Supplementary Drawings

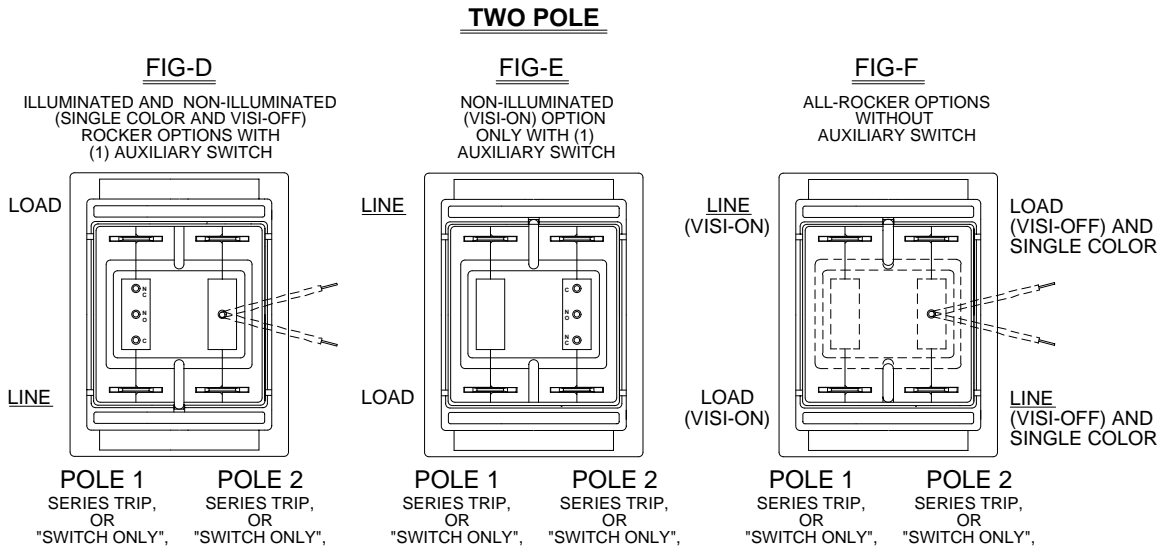
ROCKER AND AUXILIARY SWITCH OPTIONS:

AVAILABLE CIRCUIT OPTIONS:



ROCKER AND AUXILIARY SWITCH OPTIONS:

AVAILABLE CIRCUIT OPTIONS:

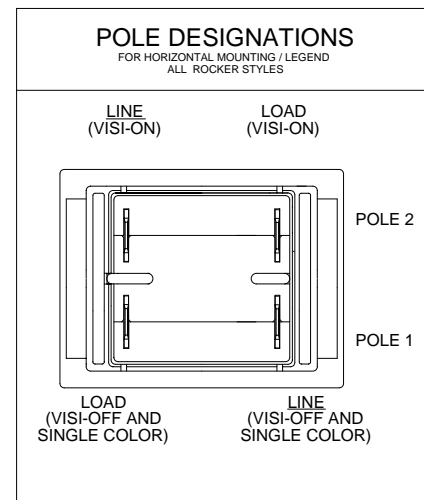


MULTI-POLE BREAKERS ARE AVAILABLE WITH A MAXIMUM OF 1 AUXILIARY SWITCH MOUNTED AS SHOWN ABOVE

**FIG-G**

**FIG-H**

ROCKER STYLE DESCRIPTION (DUAL LEGEND SHOWN)				
STYLE	INDICATE - "ON" (CODE-D)	INDICATE - "OFF" (CODE-E)	FLAT (CODES - B & G)	ANGLED (CODES - A & F)
VERTICAL				
HORIZONTAL				







Компания «ЭлектроПласт» предлагает заключение долгосрочных отношений при поставках импортных электронных компонентов на взаимовыгодных условиях!

Наши преимущества:

- Оперативные поставки широкого спектра электронных компонентов отечественного и импортного производства напрямую от производителей и с крупнейших мировых складов;
- Поставка более 17-ти миллионов наименований электронных компонентов;
- Поставка сложных, дефицитных, либо снятых с производства позиций;
- Оперативные сроки поставки под заказ (от 5 рабочих дней);
- Экспресс доставка в любую точку России;
- Техническая поддержка проекта, помощь в подборе аналогов, поставка прототипов;
- Система менеджмента качества сертифицирована по Международному стандарту ISO 9001;
- Лицензия ФСБ на осуществление работ с использованием сведений, составляющих государственную тайну;
- Поставка специализированных компонентов (Xilinx, Altera, Analog Devices, Intersil, Interpoint, Microsemi, Aeroflex, Peregrine, Syfer, Eurofarad, Texas Instrument, Miteq, Cobham, E2V, MA-COM, Hittite, Mini-Circuits, General Dynamics и др.);

Помимо этого, одним из направлений компании «ЭлектроПласт» является направление «Источники питания». Мы предлагаем Вам помощь Конструкторского отдела:

- Подбор оптимального решения, техническое обоснование при выборе компонента;
- Подбор аналогов;
- Консультации по применению компонента;
- Поставка образцов и прототипов;
- Техническая поддержка проекта;
- Защита от снятия компонента с производства.



#### Как с нами связаться

**Телефон:** 8 (812) 309 58 32 (многоканальный)

**Факс:** 8 (812) 320-02-42

**Электронная почта:** [org@eplast1.ru](mailto:org@eplast1.ru)

**Адрес:** 198099, г. Санкт-Петербург, ул. Калинина, дом 2, корпус 4, литера А.