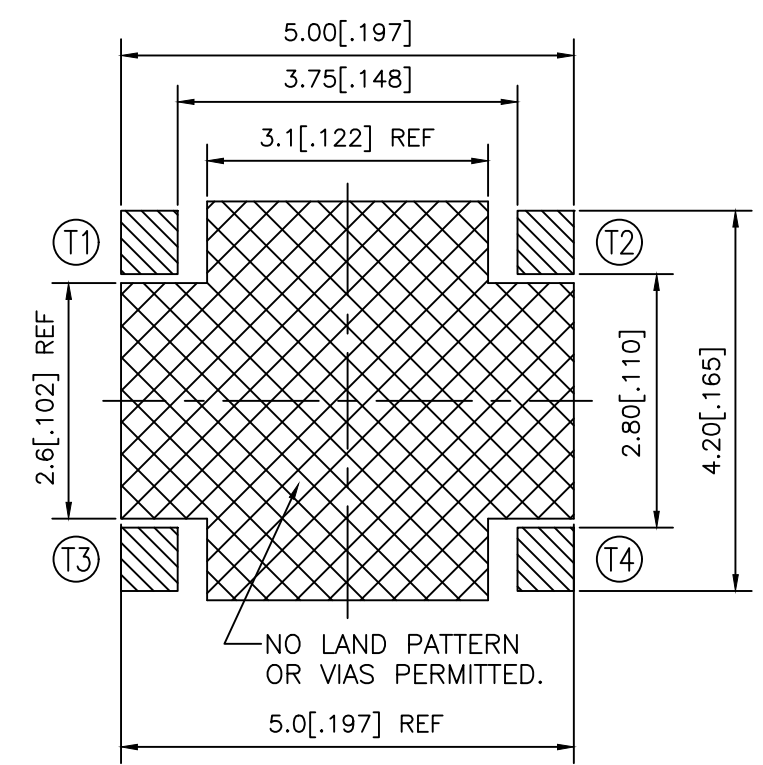
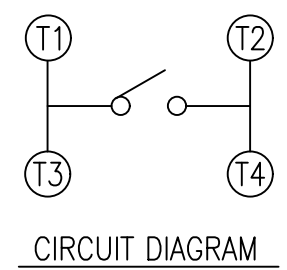
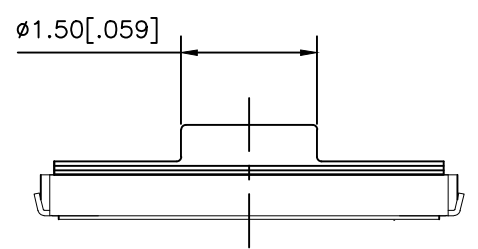
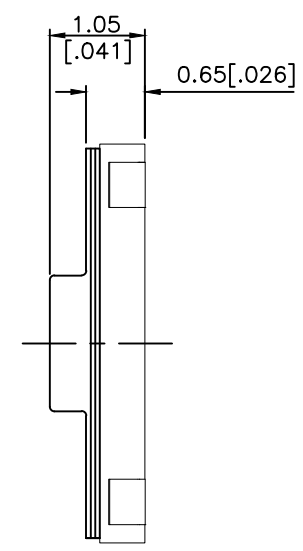
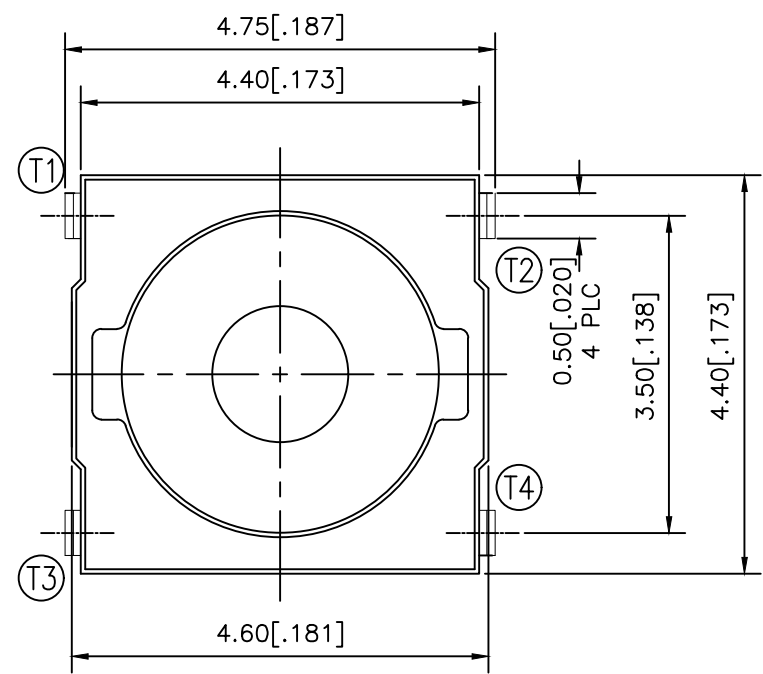


THIS DRAWING IS UNPUBLISHED. RELEASED FOR PUBLICATION  
 © COPYRIGHT - TE Connectivity Ltd. ALL RIGHTS RESERVED.

REVISIONS				
P	LTR	DESCRIPTION	DATE	APVD
	2	REVISE NOTE	07AUG2018	GCM AS



P.C.B. LAYOUT

260±50	MCSLPT4644B4PHTR	2337235-4
200±50	MCSLPT4644B3PHTR	2337235-3
160±50	MCSLPT4644B2PHTR	2337235-2
100±50	MCSLPT4644B1PHTR	2337235-1
ACTUATION FORCE (qf)	SMART PART NUMBER	PART NUMBER

**PRELIMINARY**

THIS DRAWING IS A CONTROLLED DOCUMENT.		DWN	GANESH C M	04JUL2018												
DIMENSIONS: mm [INCHES]		CHK	ALEXANDER SHARPE	04JUL2018												
TOLERANCES UNLESS OTHERWISE SPECIFIED:		APVD	ALEXANDER SHARPE	04JUL2018												
<table border="0"> <tr><td>0 PLC</td><td>± -</td></tr> <tr><td>1 PLC</td><td>± -</td></tr> <tr><td>2 PLC</td><td>± 0.2 [.008]</td></tr> <tr><td>3 PLC</td><td>± -</td></tr> <tr><td>4 PLC</td><td>± -</td></tr> <tr><td>ANGLES</td><td>± -</td></tr> </table>		0 PLC	± -	1 PLC	± -	2 PLC	± 0.2 [.008]	3 PLC	± -	4 PLC	± -	ANGLES	± -	PRODUCT SPEC	NAME	
0 PLC	± -															
1 PLC	± -															
2 PLC	± 0.2 [.008]															
3 PLC	± -															
4 PLC	± -															
ANGLES	± -															
MATERIAL		APPLICATION SPEC	SWITCH, TACTILE, LOW-PROFILE, MICRO-MINI, 4.6 x 4.4 x 1.05, J BEND													
FINISH		WEIGHT	SIZE	RESTRICTED TO												
		CUSTOMER DRAWING	A3 00779	-												
		SCALE	DRAWING NO	REV												
		NTS	C-2337235	2												
		SHEET	1 OF 3													

THIS DRAWING IS UNPUBLISHED.

RELEASED FOR PUBLICATION

© COPYRIGHT - TE Connectivity Ltd.

ALL RIGHTS RESERVED.

REVISIONS

P	LTR	DESCRIPTION	DATE	DWN	APVD
-	-	SEE SHEET 1	-	-	-

NOTES:

1. MATERIALS:

TERMINAL: COPPER ALLOY, SILVER FINISH  
 BASE: THERMOPLASTIC, UL 94V-0, BLACK  
 ACTUATOR: SILICONE RUBBER  
 CONTACT: STAINLESS STEEL, SILVER FINISH

2. COMPLIANCE:

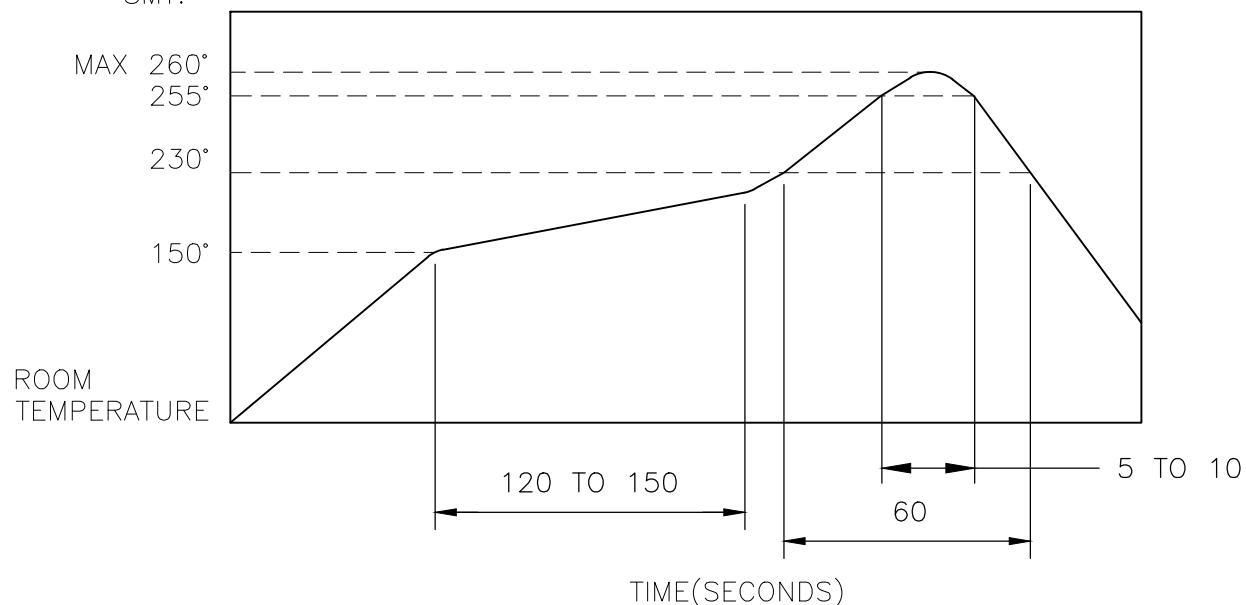
ALL MATERIALS AND FINISHES SHALL COMPLY WITH EU  
 DIRECTIVE 2002/95/EC OF 27JAN2003(RoHS)

3. SPECIFICATIONS:

RATING: 50 mA, 12V DC  
 CONTACT RESISTANCE: 100mΩ MAXIMUM (INITIAL)  
 INSULATION RESISTANCE: 100MΩ MINIMUM (INITIAL)  
 DIELECTRIC STRENGTH: 300V AC, 1 MINUTE  
 OPERATING LIFE: 2337235-1 (100gf) = 1,000,000 CYCLES WITH LOAD  
                   2337235-2 (160gf) = 1,000,000 CYCLES WITH LOAD  
                   2337235-3 (200gf) = 500,000 CYCLES WITH LOAD  
                   2337235-4 (260gf) = 500,000 CYCLES WITH LOAD  
 TRAVEL: 0.2±0.1 (.008±.004)  
 ACTUATION FORCE: 2337235-1 = 100±50gf  
                   2337235-2 = 160±50gf  
                   2337235-3 = 200±50gf  
                   2337235-4 = 260±50gf  
 OPERATING TEMPERATURE: -20° TO 70°C  
 STORAGE TEMPERATURE: -30° TO 80°C

4. SOLDER CONDITIONS :

SMT:



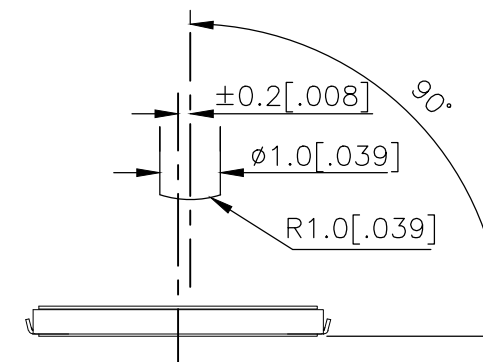
THE CONDITON NOTED ABOVE IS THE TEMPERATURE OF THE COPPER FOIL ON THE SURFACE OF THE PCB. THERE ARE CASES WHERE THE TEMPERATURE OF THE BOARD GREATLY DIFFERS FROM THE SURFACE OF THE SWITCH. DO NOT ALLOW THE SURFACE TEMPERATURE OF THE SWITCH TO EXCEED 260°C.

MANUAL SOLDERING:

SOLDERING TEMPERATURE	350°C MAXIMUM
CONTINUOUS SOLDERING TIME	5 SECONDS MAXIMUM

HANDLING PRECAUTIONS:

- CARE SHOULD BE EXERCISED SO THAT FLUX FROM THE TOP SURFACE OF THE PRINTED CIRCUIT BOARD DOES NOT ADHERE TO THE SWITCH.
- DO NOT WASH THE SWITCH
- OPERATING PRECAUTIONS:
  - DO NOT ACTUATE THE SWITCH WITH EXCESSIVE FORCE
  - DISCONTINUE FORCE AFTER THE SWITCH HAS BEEN ACTUATED SO AS TO AVOID DEFORMATION OF THE COMPONENTS OF THE SWITCH. DEFORMATION OF THE COMPONENTS MAY CAUSE THE SWITCH TO MALFUNCTION.
  - ALIGN THE PLUNGER WITH THE SWITCH TO INSURE PROPER OPERATION



RECOMMENDED OPERATING CONDITIONS

6. STORAGE CONDITIONS:

AVOID THE FOLLOWING AS EXPOSURE MAY AFFECT THE PERFORMANCE AND/OR THE SOLDERABILITY OF THE SWITCH:

- TEMPERATURE OF -10° TO 40°C AND 85% HUMIDITY
- EXPOSURE TO CORROSIVE GAS
- STORAGE OVER 6 MONTHS
- EXPOSURE TO DIRECT SUNLIGHT

STORAGE CONDITIONS SHOULD PREVENT HEAVY IMPACT OR LOADING

AFTER OPENING THE PACKAGE, UNUSED SWITCHES MUST BE REPACKAGED IN A MOISTURE-PROOF AND AIRTIGHT ENVIRONMENT.

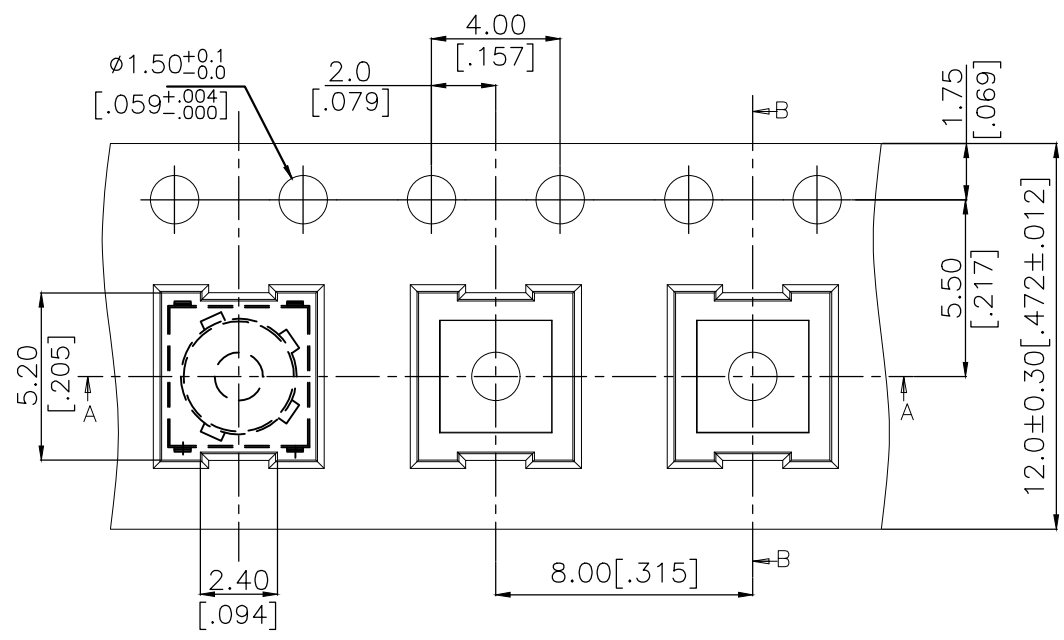
THIS DRAWING IS A CONTROLLED DOCUMENT.		DWN 04JUL2018 GANESH C M	TE Connectivity Ltd.													
DIMENSIONS: mm [INCHES]		CHK 04JUL2018 ALEXANDER SHARPE			NAME											
TOLERANCES UNLESS OTHERWISE SPECIFIED:		APVD 04JUL2018 ALEXANDER SHARPE	SWITCH, TACTILE, LOW-PROFILE, MICRO-MINI, 4.6 x 4.4 x 1.05, J BEND													
<table border="0"> <tr><td>0 PLC</td><td>± -</td></tr> <tr><td>1 PLC</td><td>± -</td></tr> <tr><td>2 PLC</td><td>± 0.2 [.008]</td></tr> <tr><td>3 PLC</td><td>± -</td></tr> <tr><td>4 PLC</td><td>± -</td></tr> <tr><td>ANGLES</td><td>± -</td></tr> </table>		0 PLC	± -	1 PLC	± -	2 PLC	± 0.2 [.008]	3 PLC	± -	4 PLC	± -	ANGLES	± -	PRODUCT SPEC	SIZE	
0 PLC	± -															
1 PLC	± -															
2 PLC	± 0.2 [.008]															
3 PLC	± -															
4 PLC	± -															
ANGLES	± -															
MATERIAL		APPLICATION SPEC	CAGE CODE	DRAWING NO												
FINISH		WEIGHT	RESTRICTED TO													
-		-	A3 00779 C-2337235													
PRELIMINARY		CUSTOMER DRAWING		SCALE NTS SHEET 2 OF 3 REV 2												

THIS DRAWING IS UNPUBLISHED. RELEASED FOR PUBLICATION  
 © COPYRIGHT - TE Connectivity Ltd. ALL RIGHTS RESERVED.

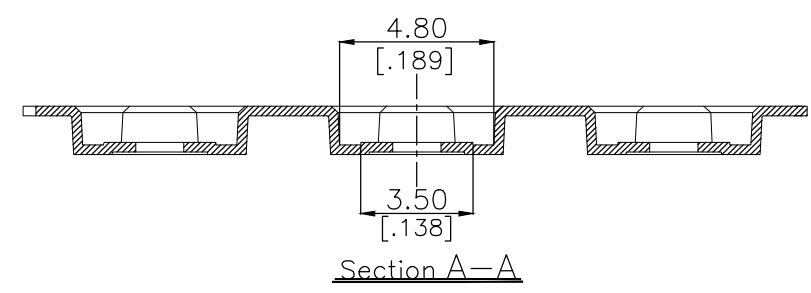
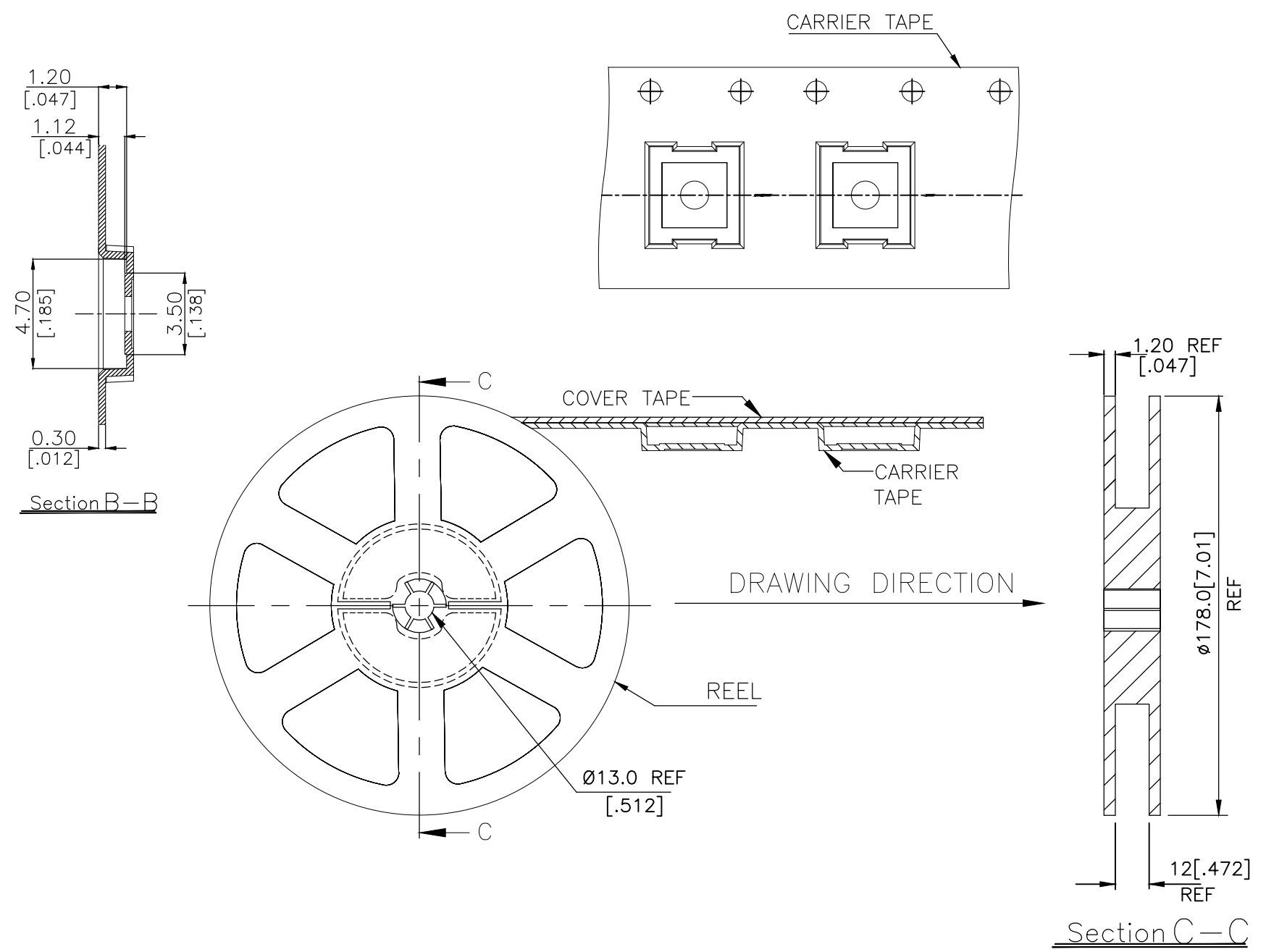
REVISIONS					
P	LTR	DESCRIPTION	DATE	DWN	APVD
-	-	SEE SHEET 1	-	-	-

PACKAGING:  
1,500 SWITCHES PER REEL

THE DIMENSIONS OF CARRIER TAPE AND REEL



ORIENTATION OF PILOT HOLES



Section B-B

Section A-A

Section C-C

**PRELIMINARY**

THIS DRAWING IS A CONTROLLED DOCUMENT.		DWN GANESH C M 04JUL2018	TE Connectivity Ltd.			
DIMENSIONS: mm [INCHES] TOLERANCES UNLESS OTHERWISE SPECIFIED: 0 PLC ± - 1 PLC ± - 2 PLC ± 0.2 [.008] 3 PLC ± - 4 PLC ± - ANGLES ± - MATERIAL FINISH		CHK ALEXANDER SHARPE 04JUL2018 APVD ALEXANDER SHARPE 04JUL2018 PRODUCT SPEC APPLICATION SPEC WEIGHT				NAME SWITCH, TACTILE, LOW-PROFILE, MICRO-MINI, 4.6 x 4.4 x 1.05, J BEND SIZE A3 CAGE CODE 00779 DRAWING NO C-2337235
		CUSTOMER DRAWING		SCALE NTS	SHEET 3 OF 3	REV 2



Компания «ЭлектроПласт» предлагает заключение долгосрочных отношений при поставках импортных электронных компонентов на взаимовыгодных условиях!

Наши преимущества:

- Оперативные поставки широкого спектра электронных компонентов отечественного и импортного производства напрямую от производителей и с крупнейших мировых складов;
- Поставка более 17-ти миллионов наименований электронных компонентов;
- Поставка сложных, дефицитных, либо снятых с производства позиций;
- Оперативные сроки поставки под заказ (от 5 рабочих дней);
- Экспресс доставка в любую точку России;
- Техническая поддержка проекта, помощь в подборе аналогов, поставка прототипов;
- Система менеджмента качества сертифицирована по Международному стандарту ISO 9001;
- Лицензия ФСБ на осуществление работ с использованием сведений, составляющих государственную тайну;
- Поставка специализированных компонентов (Xilinx, Altera, Analog Devices, Intersil, Interpoint, Microsemi, Aeroflex, Peregrine, Syfer, Eurofarad, Texas Instrument, Miteq, Cobham, E2V, MA-COM, Hittite, Mini-Circuits, General Dynamics и др.);

Помимо этого, одним из направлений компании «ЭлектроПласт» является направление «Источники питания». Мы предлагаем Вам помощь Конструкторского отдела:

- Подбор оптимального решения, техническое обоснование при выборе компонента;
- Подбор аналогов;
- Консультации по применению компонента;
- Поставка образцов и прототипов;
- Техническая поддержка проекта;
- Защита от снятия компонента с производства.



#### Как с нами связаться

**Телефон:** 8 (812) 309 58 32 (многоканальный)

**Факс:** 8 (812) 320-02-42

**Электронная почта:** [org@eplast1.ru](mailto:org@eplast1.ru)

**Адрес:** 198099, г. Санкт-Петербург, ул. Калинина, дом 2, корпус 4, литера А.