

### GENERAL DESCRIPTION

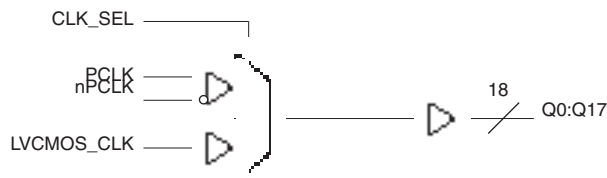
The ICS83940-01 is a low skew, 1-to-18 LVPECL-to-LVCMOS/LVTTTL Fanout Buffer. The ICS83940-01 has two selectable clock inputs. The PCLK, nPCLK pair can accept LVPECL, CML or SSTL input levels. The single ended clock input accepts LVCMOS or LVTTTL input levels. The low impedance LVCMOS/LVTTTL outputs are designed to drive 50Ω series or parallel terminated transmission lines. The effective fanout can be increased from 18 to 36 by utilizing the ability of the outputs to drive two series terminated lines.

The ICS83940-01 is characterized at full 3.3V, full 2.5V and mixed 3.3V input and 2.5V output operating supply modes. Guaranteed output and part-to-part skew characteristics make the ICS83940-01 ideal for those clock distribution applications demanding well defined performance and repeatability.

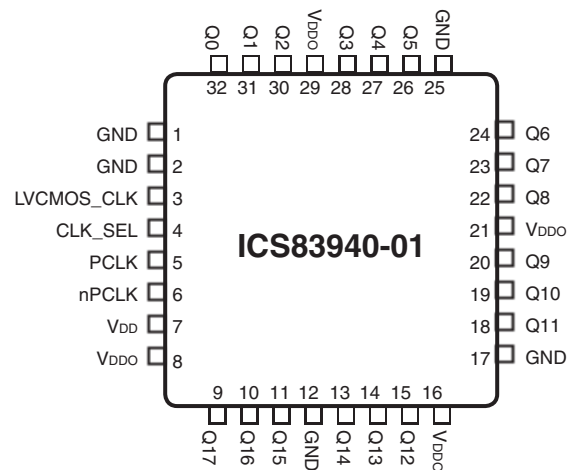
### FEATURES

- Eighteen LVCMOS/LVTTTL outputs, 23Ω typical output impedance
- Selectable LVCMOS\_CLK or LVPECL clock inputs
- LVCMOS\_CLK supports the following input types: LVCMOS or LVTTTL
- PCLK, nPCLK supports the following input types: LVPECL, CML, SSTL
- Maximum output frequency: 250MHz
- Output skew: 85ps (maximum)
- Part-to-part skew: 750ps (maximum)
- Full 3.3V, 2.5V or mixed 3.3V, 2.5V supply modes
- 0°C to 70°C ambient operating temperature
- Available in lead-free RoHS compliant package

### BLOCK DIAGRAM



### PIN ASSIGNMENT



### 32-Lead LQFP Y Package

7mm x 7mm x 1.4mm package body  
Top View

TABLE 1. PIN DESCRIPTIONS

Number	Name	Type		Description
1, 2, 12, 17, 25	GND	Power		Power supply ground.
3	LVC MOS_CLK	Input	Pulldown	Clock input. LVC MOS / LV TTL interface levels.
4	CLK_SEL	Input	Pulldown	Clock select input. Selects LVC MOS / LV TTL clock input when HIGH. Selects PCLK, nPCLK inputs when LOW. LVC MOS / LV TTL interface levels.
5	PCLK	Input	Pulldown	Non-inverting differential LVPECL clock input.
6	nPCLK	Input		Inverting differential LVPECL clock input. $V_{DD}/2$ default when left floating.
7	$V_{DD}$	Power		Power supply pin.
8, 16, 21, 29	$V_{DDO}$	Power		Output supply pins.
9, 10, 11, 13, 14, 15, 18, 19, 20, 22, 23, 24, 26, 27, 28, 30, 31, 32	Q17, Q16, Q15, Q14, Q13, Q12, Q11, Q10, Q9, Q8, Q7, Q6, Q5, Q4, Q3, Q2, Q1, Q0	Output		Clock outputs. LVC MOS / LV TTL interface levels.

NOTE: *Pulldown* refers to internal input resistors. See Table 2, Pin Characteristics, for typical values.

TABLE 2. PIN CHARACTERISTICS

Symbol	Parameter	Test Conditions	Minimum	Typical	Maximum	Units
$C_{IN}$	Input Capacitance			4		pF
$C_{PD}$	Power Dissipation Capacitance (per output)			6		pF
$R_{PULLDOWN}$	Input Pulldown Resistor			51		k $\Omega$
$R_{OUT}$	Output Impedance		18		28	$\Omega$

TABLE 3A. CLOCK SELECT FUNCTION TABLE

Control Input	Clock	
CLK_SEL	PCLK, nPCLK	LVC MOS_CLK
0	Selected	De-selected
1	De-selected	Selected

TABLE 3B. CLOCK INPUT FUNCTION TABLE

Inputs				Outputs	Input to Output Mode	Polarity
CLK_SEL	LVC MOS_CLK	PCLK	nPCLK	Q0:Q17		
0	—	0	1	LOW	Differential to Single Ended	Non Inverting
0	—	1	0	HIGH	Differential to Single Ended	Non Inverting
0	—	0	Biased; NOTE 1	LOW	Single Ended to Single Ended	Non Inverting
0	—	1	Biased; NOTE 1	HIGH	Single Ended to Single Ended	Non Inverting
0	—	Biased; NOTE 1	0	HIGH	Single Ended to Single Ended	Inverting
0	—	Biased; NOTE 1	1	LOW	Single Ended to Single Ended	Inverting
1	0	—	—	LOW	Single Ended to Single Ended	Non Inverting
1	1	—	—	HIGH	Single Ended to Single Ended	Non Inverting

NOTE 1: Please refer to the Application Information section, "Wiring the Differential Input to Accept Single Ended Levels".

**ABSOLUTE MAXIMUM RATINGS**

Supply Voltage, $V_{DD}$	3.6V
Inputs, $V_I$	-0.3V to $V_{DD} + 0.3V$
Outputs, $V_O$	-0.3V to $V_{DDO} + 0.3V$
Input Current, $I_{IN}$	$\pm 20mA$
Storage Temperature, $T_{STG}$	-40°C to 125°C

NOTE: Stresses beyond those listed under Absolute Maximum Ratings may cause permanent damage to the device. These ratings are stress specifications only. Functional operation of product at these conditions or any conditions beyond those listed in the *DC Characteristics* or *AC Characteristics* is not implied. Exposure to absolute maximum rating conditions for extended periods may affect product reliability.

**TABLE 4A. DC CHARACTERISTICS,  $V_{DD} = V_{DDO} = 3.3V \pm 5\%$ ,  $T_A = 0^\circ$  TO  $70^\circ$** 

Symbol	Parameter	Test Conditions	Minimum	Typical	Maximum	Units
$V_{IH}$	Input High Voltage	LVC MOS_CLK	2.4		$V_{DD}$	V
$V_{IL}$	Input Low Voltage	LVC MOS_CLK			0.8	V
$V_{PP}$	Peak-to-Peak Input Voltage	PCLK, nPCLK	500		1000	mV
$V_{CMR}$	Input Common Mode Voltage; NOTE 1, 2	PCLK, nPCLK	$V_{DD} - 1.4$		$V_{DD} - 0.6$	V
$I_{IN}$	Input Current				$\pm 200$	$\mu A$
$V_{OH}$	Output High Voltage	$I_{OH} = -20mA$	2.4			V
$V_{OL}$	Output Low Voltage	$I_{OL} = 20mA$			0.5	V
$I_{DD}$	Power Supply Current				25	mA

NOTE 1: For single ended applications, the maximum input voltage for PCLK, nPCLK is  $V_{DD} + 0.3V$ .

NOTE 2: Common mode voltage is defined as  $V_{IH}$ .

**TABLE 4B. DC CHARACTERISTICS,  $V_{DD} = 3.3V \pm 5\%$ ,  $V_{DDO} = 2.5V \pm 5\%$ ,  $T_A = 0^\circ$  TO  $70^\circ$** 

Symbol	Parameter	Test Conditions	Minimum	Typical	Maximum	Units
$V_{IH}$	Input High Voltage	LVC MOS_CLK	2.4		$V_{DD}$	V
$V_{IL}$	Input Low Voltage	LVC MOS_CLK			0.8	V
$V_{PP}$	Peak-to-Peak Input Voltage	PCLK, nPCLK	300		1000	mV
$V_{CMR}$	Input Common Mode Voltage; NOTE 1, 2	PCLK, nPCLK	$V_{DD} - 1.4$		$V_{DD} - 0.6$	V
$I_{IN}$	Input Current				$\pm 200$	$\mu A$
$V_{OH}$	Output High Voltage	$I_{OH} = -20mA$	1.8			V
$V_{OL}$	Output Low Voltage	$I_{OL} = 20mA$			0.5	V
$I_{DD}$	Power Supply Current				25	mA

NOTE 1: For single ended applications, the maximum input voltage for PCLK, nPCLK is  $V_{DD} + 0.3V$ .

NOTE 2: Common mode voltage is defined as  $V_{IH}$ .

**TABLE 4C. DC CHARACTERISTICS,  $V_{DD} = V_{DDO} = 2.5V \pm 5\%$ ,  $T_A = 0^\circ$  TO  $70^\circ$** 

Symbol	Parameter	Test Conditions	Minimum	Typical	Maximum	Units
$V_{IH}$	Input High Voltage	LVC MOS_CLK	2		$V_{DD}$	V
$V_{IL}$	Input Low Voltage	LVC MOS_CLK			0.8	V
$V_{PP}$	Peak-to-Peak Input Voltage	PCLK, nPCLK	300		1000	mV
$V_{CMR}$	Input Common Mode Voltage; NOTE 1, 2	PCLK, nPCLK	$V_{DD} - 1.4$		$V_{DD} - 0.6$	V
$I_{IN}$	Input Current				$\pm 200$	$\mu A$
$V_{OH}$	Output High Voltage	$I_{OH} = -12mA$	1.8			V
$V_{OL}$	Output Low Voltage	$I_{OL} = 12mA$			0.5	V
$I_{DD}$	Power Supply Current				25	mA

NOTE 1: For single ended applications, the maximum input voltage for PCLK, nPCLK is  $V_{DD} + 0.3V$ .

NOTE 2: Common mode voltage is defined as  $V_{IH}$ .

**TABLE 5A. AC CHARACTERISTICS,  $V_{DD} = V_{DDO} = 3.3V \pm 5\%$ ,  $T_A = 0^\circ$  TO  $70^\circ$** 

Symbol	Parameter	Test Conditions	Minimum	Typical	Maximum	Units
$f_{MAX}$	Output Frequency				250	MHz
$t_{PLH}$	Propagation Delay	PCLK, nPCLK; NOTE 1, 5	f 150MHz	1.6	3.0	ns
		LVC MOS_CLK; NOTE 2, 5	f 150MHz	1.8	3.0	ns
$t_{PLH}$	Propagation Delay	PCLK, nPCLK; NOTE 1, 5	f > 150MHz	1.6	3.3	ns
		LVC MOS_CLK; NOTE 2, 5	f > 150MHz	1.8	3.2	ns
tsk(o)	Output Skew; NOTE 3, 5	PCLK, nPCLK	Measured on rising edge @ $V_{DDO}/2$		85	ps
		LVC MOS_CLK			85	ps
tsk(pp)	Part-to-Part Skew; NOTE 6	PCLK, nPCLK	f 150MHz		1.4	ns
		LVC MOS_CLK	f 150MHz		1.2	ns
tsk(pp)	Part-to-Part Skew; NOTE 6	PCLK, nPCLK	f > 150MHz		1.7	ns
		LVC MOS_CLK	f > 150MHz		1.4	ns
tsk(pp)	Part-to-Part Skew; NOTE 4, 5	PCLK, nPCLK	Measured on rising edge @ $V_{DDO}/2$		850	ps
		LVC MOS_CLK			750	ps
$t_R, t_F$	Output Rise/Fall Time	20% to 80%	400		800	ps
odc	Output Duty Cycle	f 150MHz	45		55	%
		150MHz < f 250MHz	40		60	%

All parameters measured at 200MHz unless noted otherwise.

NOTE 1: Measured from the differential input crossing point to the output  $V_{DDO}/2$ .

NOTE 2: Measured from  $V_{DD}/2$  to  $V_{DDO}/2$ .

NOTE 3: Defined as skew between outputs at the same supply voltage and with equal load conditions. Measured at  $V_{DDO}/2$ .

NOTE 4: Defined as skew between outputs on different devices operating at the same supply voltages, same temperature, and with equal load conditions. Using the same type of inputs on each device, the outputs are measured at  $V_{DDO}/2$ .

NOTE 5: This parameter is defined in accordance with JEDEC Standard 65.

NOTE 6: Defined as skew between outputs on different devices, across temperature and voltage ranges, and with equal load conditions. Using the same type of inputs on each device, the outputs are measured at  $V_{DDO}/2$ .

**TABLE 5B. AC CHARACTERISTICS,  $V_{DD} = 3.3V \pm 5\%$ ,  $V_{DDO} = 2.5V \pm 5\%$ ,  $T_A = 0^\circ$  TO  $70^\circ$** 

Symbol	Parameter	Test Conditions	Minimum	Typical	Maximum	Units
$f_{MAX}$	Output Frequency				250	MHz
$t_{pLH}$	Propagation Delay	PCLK, nPCLK; NOTE 1, 5	f 150MHz	1.7	3.2	ns
		LVCOSMOS_CLK; NOTE 2, 5	f 150MHz	1.7	3.0	ns
$t_{pLH}$	Propagation Delay	PCLK, nPCLK; NOTE 1, 5	f > 150MHz	1.6	3.4	ns
		LVCOSMOS_CLK; NOTE 2, 5	f > 150MHz	1.8	3.3	ns
tsk(o)	Output Skew; NOTE 3, 5	PCLK, nPCLK	Measured on rising edge @ $V_{DDO}/2$		150	ps
		LVCOSMOS_CLK			150	ps
tsk(pp)	Part-to-Part Skew; NOTE 6	PCLK, nPCLK	f 150MHz		1.5	ns
		LVCOSMOS_CLK	f 150MHz		1.3	ns
tsk(pp)	Part-to-Part Skew; NOTE 6	PCLK, nPCLK	f > 150MHz		1.8	ns
		LVCOSMOS_CLK	f > 150MHz		1.5	ns
tsk(pp)	Part-to-Part Skew; NOTE 4, 5	PCLK, nPCLK	Measured on rising edge @ $V_{DDO}/2$		850	ps
		LVCOSMOS_CLK			750	ps
$t_R, t_F$	Output Rise/Fall Time	20% to 80%	400		800	ps
odc	Output Duty Cycle		f < 134MHz	45	55	%
			134MHz f < 250MHz	40	60	%

All parameters measured at 200MHz unless noted otherwise.

NOTE 1: Measured from the differential input crossing point to the output  $V_{DDO}/2$ .

NOTE 2: Measured from  $V_{DD}/2$  to  $V_{DDO}/2$ .

NOTE 3: Defined as skew between outputs at the same supply voltage and with equal load conditions. Measured at  $V_{DDO}/2$ .

NOTE 4: Defined as skew between outputs on different devices operating at the same supply voltages, same temperature, and with equal load conditions. Using the same type of inputs on each device, the outputs are measured at  $V_{DDO}/2$ .

NOTE 5: This parameter is defined in accordance with JEDEC Standard 65.

NOTE 6: Defined as skew between outputs on different devices, across temperature and voltage ranges, and with equal load conditions. Using the same type of inputs on each device, the outputs are measured at  $V_{DDO}/2$ .

**TABLE 5C. AC CHARACTERISTICS,  $V_{DD} = V_{DDO} = 2.5V \pm 5\%$ ,  $T_A = 0^\circ$  TO  $70^\circ$** 

Symbol	Parameter	Test Conditions	Minimum	Typical	Maximum	Units
$f_{MAX}$	Output Frequency				200	MHz
$t_{pLH}$	Propagation Delay;	PCLK, nPCLK; NOTE 1, 5	f 150MHz	1.2	3.8	ns
		LVCOSMOS_CLK; NOTE 2, 5	f 150MHz	1.5	3.2	ns
$t_{pLH}$	Propagation Delay;	PCLK, nPCLK; NOTE 1, 5	f > 150MHz	1.5	3.7	ns
		LVCOSMOS_CLK; NOTE 2, 5	f > 150MHz	2	3.6	ns
tsk(o)	Output Skew; NOTE 3, 5	PCLK, nPCLK	Measured on rising edge @ $V_{DDO}/2$		150	ps
		LVCOSMOS_CLK			150	ps
tsk(pp)	Part-to-Part Skew; NOTE 6	PCLK, nPCLK	f 150MHz		2.6	ns
		LVCOSMOS_CLK	f 150MHz		1.7	ns
tsk(pp)	Part-to-Part Skew; NOTE 6	PCLK, nPCLK	f > 150MHz		2.2	ns
		LVCOSMOS_CLK	f > 150MHz		1.7	ns
tsk(pp)	Part-to-Part Skew; NOTE 4, 5	PCLK, nPCLK	Measured on rising edge @ $V_{DDO}/2$		1.2	ns
		LVCOSMOS_CLK			1.0	ns
$t_R, t_F$	Output Rise/Fall Time	20% to 80%	400		800	ps
odc	Output Duty Cycle	f < 134MHz	45		55	%
		134MHz f 200MHz	40		60	%

All parameters measured at 200MHz unless noted otherwise.

NOTE 1: Measured from the differential input crossing point to the output  $V_{DDO}/2$ .

NOTE 2: Measured from  $V_{DD}/2$  to  $V_{DDO}/2$ .

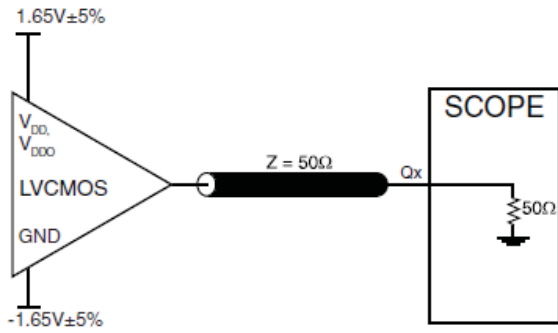
NOTE 3: Defined as skew between outputs at the same supply voltage and with equal load conditions. Measured at  $V_{DDO}/2$ .

NOTE 4: Defined as skew between outputs on different devices operating at the same supply voltages, same temperature, and with equal load conditions. Using the same type of inputs on each device, the outputs are measured at  $V_{DDO}/2$ .

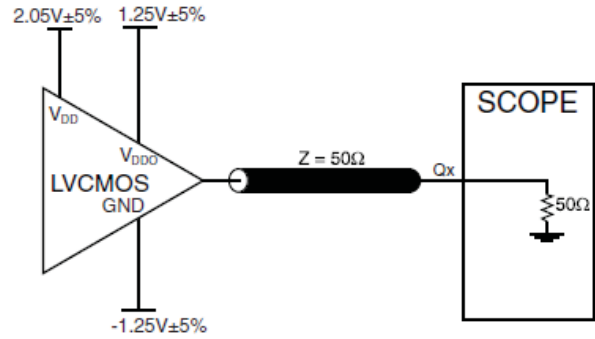
NOTE 5: This parameter is defined in accordance with JEDEC Standard 65.

NOTE 6: Defined as skew between outputs on different devices, across temperature and voltage ranges, and with equal load conditions. Using the same type of inputs on each device, the outputs are measured at  $V_{DDO}/2$ .

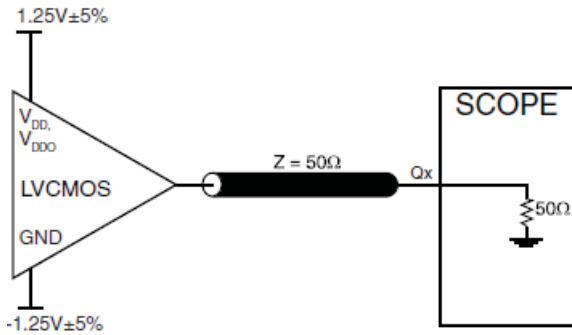
# PARAMETER MEASUREMENT INFORMATION



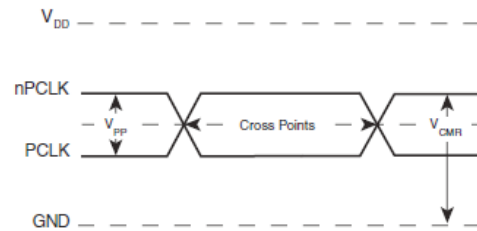
3.3V OUTPUT LOAD AC TEST CIRCUIT



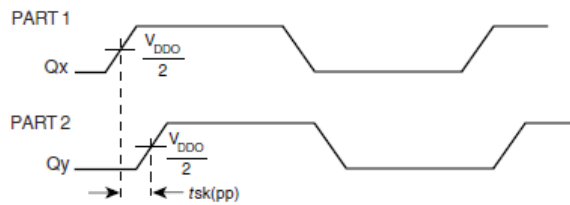
3.3V/2.5V OUTPUT LOAD AC TEST CIRCUIT



2.5V OUTPUT LOAD AC TEST CIRCUIT



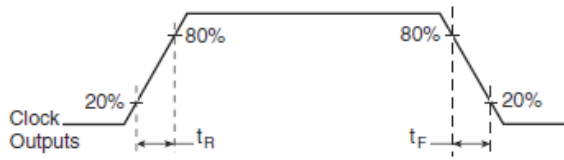
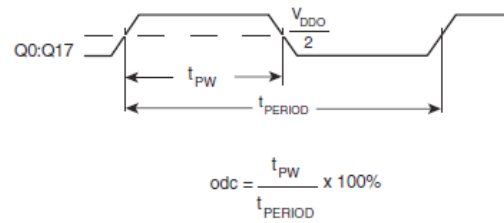
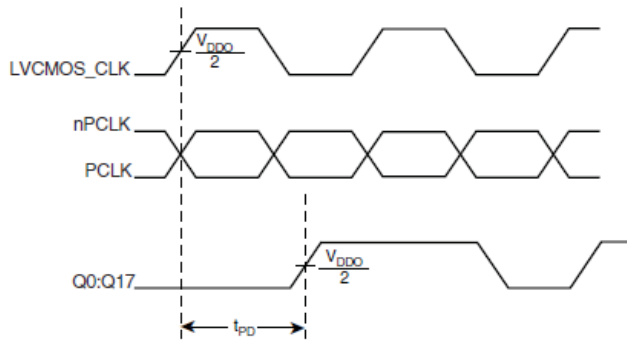
DIFFERENTIAL INPUT LEVEL



PART-TO-PART SKEW



OUTPUT SKEW


**OUTPUT RISE/FALL TIME**

**OUTPUT DUTY CYCLE/PULSE WIDTH/PERIOD**

**PROPAGATION DELAY**

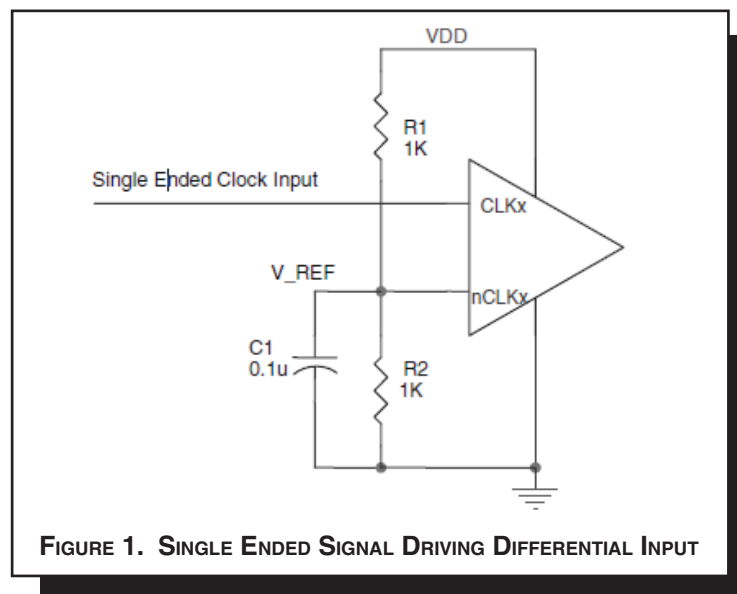


## APPLICATION INFORMATION

### WIRING THE DIFFERENTIAL INPUT TO ACCEPT SINGLE ENDED LEVELS

Figure 1 shows how the differential input can be wired to accept single ended levels. The reference voltage  $V_{REF} = V_{DD}/2$  is generated by the bias resistors R1, R2 and C1. This bias circuit should be located as close as possible to the input pin. The ratio of R1 and R2 might need to be adjusted to position the  $V_{REF}$

in the center of the input voltage swing. For example, if the input clock swing is only 2.5V and  $V_{DD} = 3.3V$ ,  $V_{REF}$  should be 1.25V and  $R2/R1 = 0.609$ .



### RECOMMENDATIONS FOR UNUSED INPUT AND OUTPUT PINS

#### INPUTS:

##### CLK INPUT:

For applications not requiring the use of a clock input, it can be left floating. Though not required, but for additional protection, a 1kΩ resistor can be tied from the CLK input to ground.

##### PCLK/nPCLK INPUT:

For applications not requiring the use of a differential input, both the PCLK and nPCLK pins can be left floating. Though not required, but for additional protection, a 1kΩ resistor can be tied from PCLK to ground.

##### LVC MOS CONTROL PINS:

All control pins have internal pull-ups or pull-downs; additional resistance is not required but can be added for additional protection. A 1kΩ resistor can be used.

#### OUTPUTS:

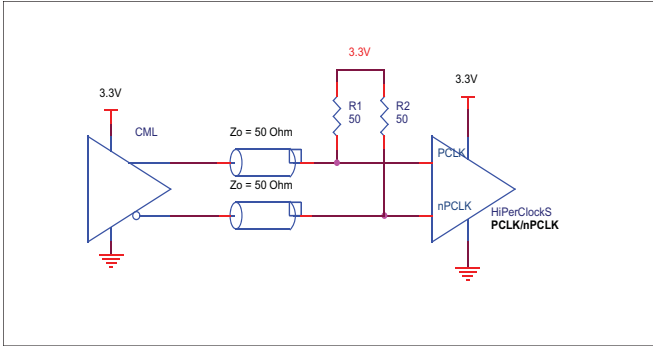
##### LVC MOS OUTPUT:

All unused LVC MOS output can be left floating. We recommend that there is no trace attached.

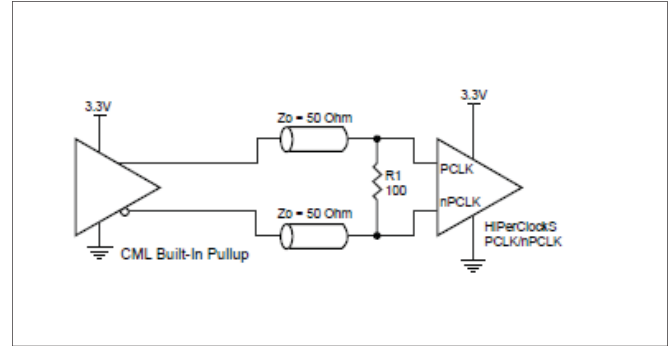
### LVPECL CLOCK INPUT INTERFACE

The PCLK /nPCLK accepts LVPECL, CML, SSTL and other differential signals. Both  $V_{SWING}$  and  $V_{OH}$  must meet the  $V_{PP}$  and  $V_{CMR}$  input requirements. *Figures 2A to 2E* show interface examples for the PCLK/nPCLK input driven by the most common driver types. The input interfaces

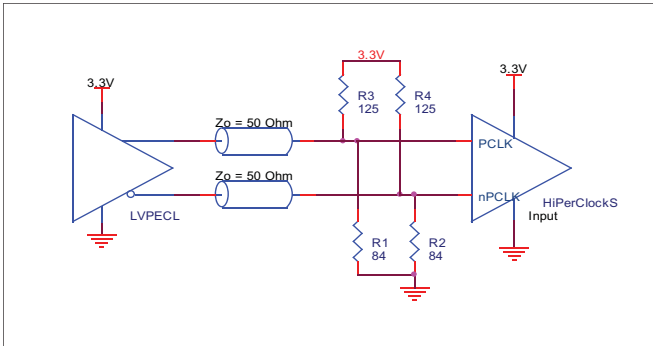
suggested here are examples only. If the driver is from another vendor, use their termination recommendation. Please consult with the vendor of the driver component to confirm the driver termination requirements.



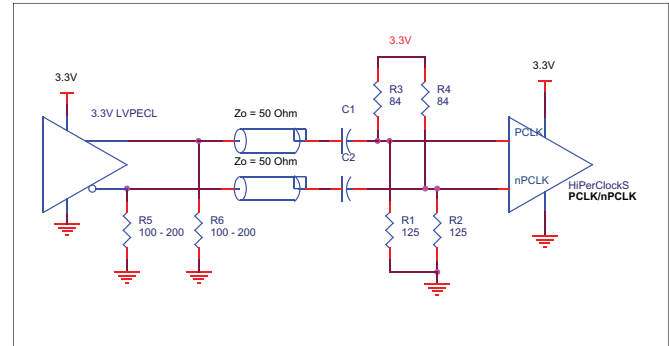
**FIGURE 2A. PCLK/nPCLK INPUT DRIVEN BY AN OPEN COLLECTOR CML DRIVER**



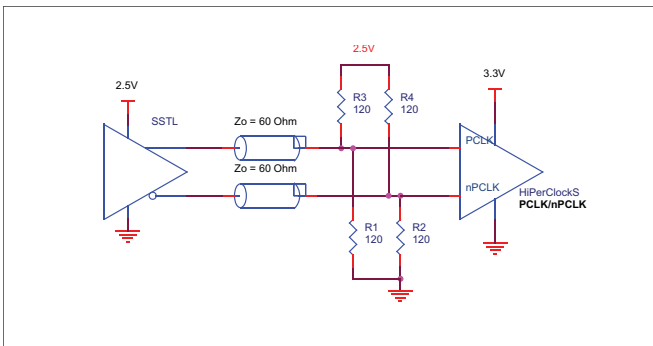
**FIGURE 2B. PCLK/nPCLK INPUT DRIVEN BY A BUILT-IN PULLUP CML DRIVER**



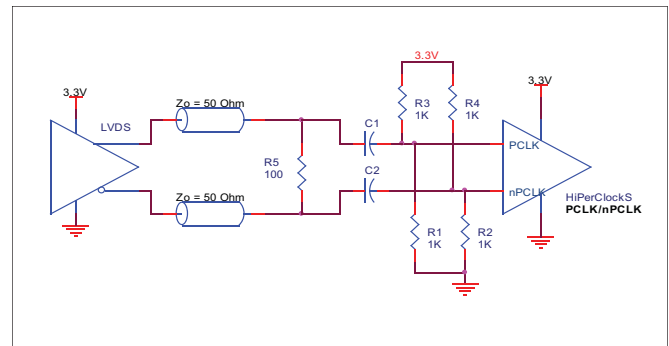
**FIGURE 2C. PCLK/nPCLK INPUT DRIVEN BY A 3.3V LVPECL DRIVER**



**FIGURE 2D. PCLK/nPCLK INPUT DRIVEN BY A 3.3V LVPECL DRIVER WITH AC COUPLE**



**FIGURE 2E. PCLK/nPCLK INPUT DRIVEN BY AN SSTL DRIVER**



**FIGURE 2F. PCLK/nPCLK INPUT DRIVEN BY A 3.3V LVDS DRIVER**

## RELIABILITY INFORMATION

TABLE 6.  $\theta_{JA}$  VS. AIR FLOW TABLE FOR 32 LEAD LQFP

$\theta_{JA}$ by Velocity (Linear Feet per Minute)			
	0	200	500
Single-Layer PCB, JEDEC Standard Test Boards	67.8°C/W	55.9°C/W	50.1°C/W
Multi-Layer PCB, JEDEC Standard Test Boards	47.9°C/W	42.1°C/W	39.4°C/W

**NOTE:** Most modern PCB designs use multi-layered boards. The data in the second row pertains to most designs.

### TRANSISTOR COUNT

The transistor count for ICS83940-01 is: 819

PACKAGE OUTLINE - Y SUFFIX FOR 32 LEAD LQFP

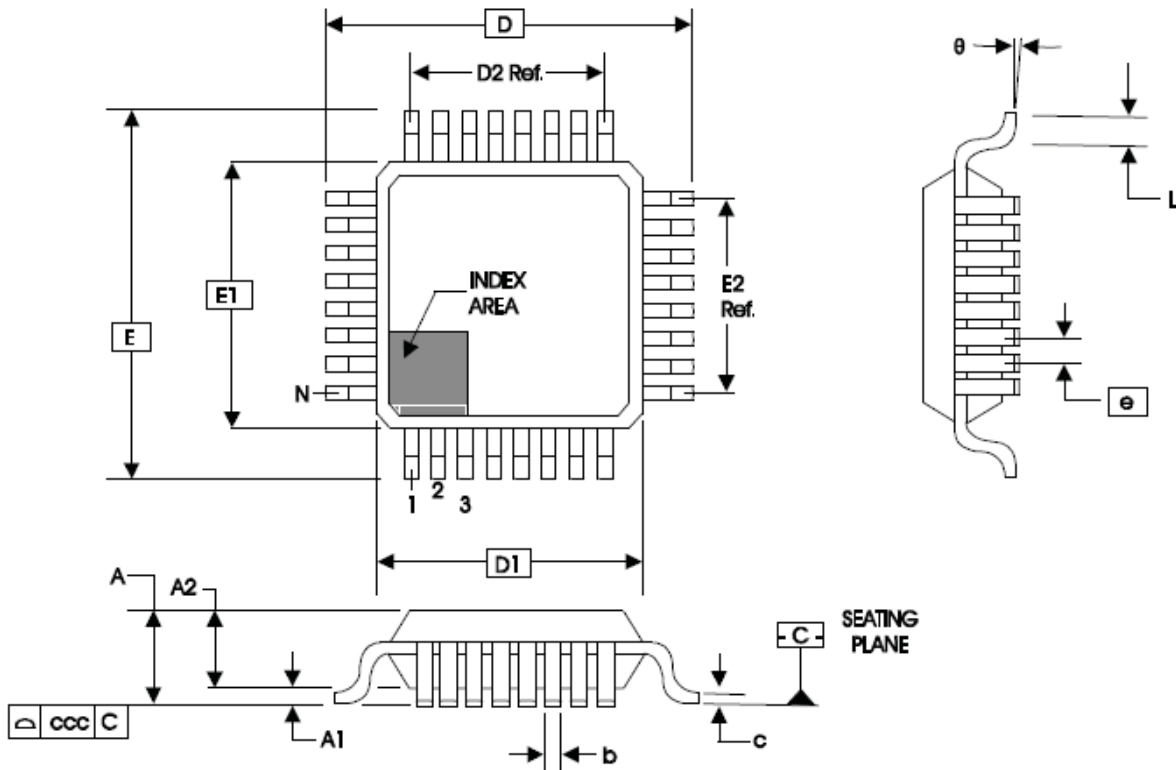


TABLE 7. PACKAGE DIMENSIONS

JEDEC VARIATION ALL DIMENSIONS IN MILLIMETERS			
SYMBOL	BBA		
	MINIMUM	NOMINAL	MAXIMUM
N	32		
A	--	--	1.60
A1	0.05	--	0.15
A2	1.35	1.40	1.45
b	0.30	0.37	0.45
c	0.09	--	0.20
D	9.00 BASIC		
D1	7.00 BASIC		
D2	5.60 Ref.		
E	9.00 BASIC		
E1	7.00 BASIC		
E2	5.60 Ref.		
e	0.80 BASIC		
L	0.45	0.60	0.75
theta	0°	--	7°
ccc	--	--	0.10

Reference Document: JEDEC Publication 95, MS-026

**TABLE 8. ORDERING INFORMATION**

Part/Order Number	Marking	Package	Shipping Packaging	Temperature
83940DY-01LF	ICS83940D01L	32 Lead "Lead-Free" LQFP	tray	0°C to 70°C
83940DY-01LFT	ICS83940D01L	32 Lead "Lead-Free" LQFP	reel	0°C to 70°C

NOTE: Parts that are ordered with an "LF" suffix to the part number are the Pb-Free configuration and are RoHS compliant.

REVISION HISTORY SHEET				
Rev	Table	Page	Description of Change	Date
A	T8	1	Added Lead-Free bullet.	11/18/05
		9	Added <i>Recommendations for Unused Input and Output Pins</i> .	
		10	Updated <i>LVPECL Clock Input Interface</i> section.	
		13	Added Lead-Free part number, marking and note.	
A	T8	13	Updated datasheet's header/footer with IDT from ICS.	8/4/10
		15	Removed ICS prefix from Part/Order Number column. Added Contact Page.	
A	T	13	Removed Leaded devices Updated Datasheet format	11/4/14

**Corporate Headquarters**

6024 Silver Creek Valley Road  
San Jose, California 95138

**Sales**

800-345-7015 or +408-284-8200  
Fax: 408-284-2775  
www.IDT.com

**Technical Support**

**email:** [clocks@idt.com](mailto:clocks@idt.com)

DISCLAIMER Integrated Device Technology, Inc. (IDT) and its subsidiaries reserve the right to modify the products and/or specifications described herein at any time and at IDT's sole discretion. All information in this document, including descriptions of product features and performance, is subject to change without notice. Performance specifications and the operating parameters of the described products are determined in the independent state and are not guaranteed to perform the same way when installed in customer products. The information contained herein is provided without representation or warranty of any kind, whether express or implied, including, but not limited to, the suitability of IDT's products for any particular purpose, an implied warranty of merchantability, or non-infringement of the intellectual property rights of others. This document is presented only as a guide and does not convey any license under intellectual property rights of IDT or any third parties.

IDT's products are not intended for use in applications involving extreme environmental conditions or in life support systems or similar devices where the failure or malfunction of an IDT product can be reasonably expected to significantly affect the health or safety of users. Anyone using an IDT product in such a manner does so at their own risk, absent an express, written agreement by IDT.

Integrated Device Technology, IDT and the IDT logo are registered trademarks of IDT. Other trademarks and service marks used herein, including protected names, logos and designs, are the property of IDT or their respective third party owners.

Copyright 2014. All rights reserved.



Компания «ЭлектроПласт» предлагает заключение долгосрочных отношений при поставках импортных электронных компонентов на взаимовыгодных условиях!

Наши преимущества:

- Оперативные поставки широкого спектра электронных компонентов отечественного и импортного производства напрямую от производителей и с крупнейших мировых складов;
- Поставка более 17-ти миллионов наименований электронных компонентов;
- Поставка сложных, дефицитных, либо снятых с производства позиций;
- Оперативные сроки поставки под заказ (от 5 рабочих дней);
- Экспресс доставка в любую точку России;
- Техническая поддержка проекта, помощь в подборе аналогов, поставка прототипов;
- Система менеджмента качества сертифицирована по Международному стандарту ISO 9001;
- Лицензия ФСБ на осуществление работ с использованием сведений, составляющих государственную тайну;
- Поставка специализированных компонентов (Xilinx, Altera, Analog Devices, Intersil, Interpoint, Microsemi, Aeroflex, Peregrine, Syfer, Eurofarad, Texas Instrument, Miteq, Cobham, E2V, MA-COM, Hittite, Mini-Circuits, General Dynamics и др.);

Помимо этого, одним из направлений компании «ЭлектроПласт» является направление «Источники питания». Мы предлагаем Вам помощь Конструкторского отдела:

- Подбор оптимального решения, техническое обоснование при выборе компонента;
- Подбор аналогов;
- Консультации по применению компонента;
- Поставка образцов и прототипов;
- Техническая поддержка проекта;
- Защита от снятия компонента с производства.



#### Как с нами связаться

**Телефон:** 8 (812) 309 58 32 (многоканальный)

**Факс:** 8 (812) 320-02-42

**Электронная почта:** [org@eplast1.ru](mailto:org@eplast1.ru)

**Адрес:** 198099, г. Санкт-Петербург, ул. Калинина, дом 2, корпус 4, литера А.