



## N-Channel 190-V (D-S) MOSFET

| PRODUCT SUMMARY     |                                |                                 |                       |
|---------------------|--------------------------------|---------------------------------|-----------------------|
| V <sub>DS</sub> (V) | R <sub>DS(on)</sub> (Ω)        | I <sub>D</sub> (A) <sup>a</sup> | Q <sub>g</sub> (Typ.) |
| 190                 | 2.4 at V <sub>GS</sub> = 4.5 V | 1.5                             | 2.3 nC                |
|                     | 2.6 at V <sub>GS</sub> = 2.5 V | 1.48                            |                       |
|                     | 6.0 at V <sub>GS</sub> = 1.8 V | 0.4                             |                       |

### FEATURES

- Halogen-free
- TrenchFET<sup>®</sup> Power MOSFET
- New Thermally Enhanced PowerPAK<sup>®</sup> SC-75 Package
  - Small Footprint Area
  - Low On-Resistance

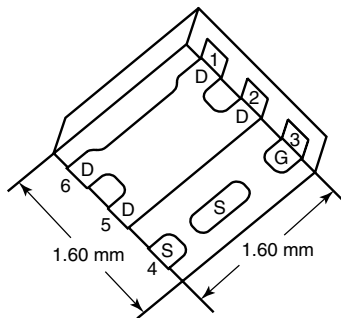


**RoHS**  
COMPLIANT

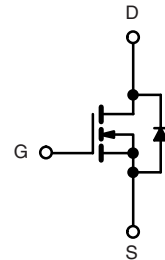
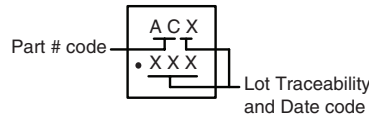
### APPLICATIONS

- Boost Converter for Portable Devices

PowerPAK SC-75-6L-Single



### Marking Code



Ordering Information: SiB452DK-T1-GE3 (Lead (Pb)-free and Halogen-free)

N-Channel MOSFET

| ABSOLUTE MAXIMUM RATINGS T <sub>A</sub> = 25 °C, unless otherwise noted |                                   |                      |      |
|-------------------------------------------------------------------------|-----------------------------------|----------------------|------|
| Parameter                                                               | Symbol                            | Limit                | Unit |
| Drain-Source Voltage                                                    | V <sub>DS</sub>                   | 190                  | V    |
| Gate-Source Voltage                                                     | V <sub>GS</sub>                   | ± 16                 |      |
| Continuous Drain Current (T <sub>J</sub> = 150 °C)                      | T <sub>C</sub> = 25 °C            | 1.5                  | A    |
|                                                                         | T <sub>C</sub> = 70 °C            | 1.24                 |      |
|                                                                         | T <sub>A</sub> = 25 °C            | 0.67 <sup>b, c</sup> |      |
|                                                                         | T <sub>A</sub> = 70 °C            | 0.53 <sup>b, c</sup> |      |
| Pulsed Drain Current                                                    | I <sub>DM</sub>                   | 1.5                  |      |
| Continuous Source-Drain Diode Current                                   | T <sub>C</sub> = 25 °C            | 1.5                  |      |
|                                                                         | T <sub>A</sub> = 25 °C            | 0.67 <sup>b, c</sup> |      |
| Maximum Power Dissipation                                               | T <sub>C</sub> = 25 °C            | 13                   | W    |
|                                                                         | T <sub>C</sub> = 70 °C            | 8.4                  |      |
|                                                                         | T <sub>A</sub> = 25 °C            | 2.4 <sup>b, c</sup>  |      |
|                                                                         | T <sub>A</sub> = 70 °C            | 1.6 <sup>b, c</sup>  |      |
| Operating Junction and Storage Temperature Range                        | T <sub>J</sub> , T <sub>stg</sub> | - 55 to 150          | °C   |
| Soldering Recommendations (Peak Temperature) <sup>d, e</sup>            |                                   | 260                  |      |

| THERMAL RESISTANCE RATINGS                  |              |                   |         |         |      |
|---------------------------------------------|--------------|-------------------|---------|---------|------|
| Parameter                                   |              | Symbol            | Typical | Maximum | Unit |
| Maximum Junction-to-Ambient <sup>b, f</sup> | t ≤ 5 s      | R <sub>thJA</sub> | 41      | 51      | °C/W |
| Maximum Junction-to-Case (Drain)            | Steady State | R <sub>thJC</sub> | 7.5     | 9.5     |      |

Notes:

- T<sub>C</sub> = 25 °C.
- Surface Mounted on 1" x 1" FR4 board.
- t = 5 s.
- See Solder Profile (<http://www.vishay.com/ppg?73257>). The PowerPAK SC-75 is a leadless package. The end of the lead terminal is exposed copper (not plated) as a result of the singulation process in manufacturing. A solder fillet at the exposed copper tip cannot be guaranteed and is not required to ensure adequate bottom side solder interconnection.
- Rework Conditions: manual soldering with a soldering iron is not recommended for leadless components.
- Maximum under Steady State conditions is 105 °C/W.

| SPECIFICATIONS $T_J = 25\text{ }^\circ\text{C}$ , unless otherwise noted |                         |                                                                                                                            |      |       |           |               |
|--------------------------------------------------------------------------|-------------------------|----------------------------------------------------------------------------------------------------------------------------|------|-------|-----------|---------------|
| Parameter                                                                | Symbol                  | Test Conditions                                                                                                            | Min. | Typ.  | Max.      | Unit          |
| <b>Static</b>                                                            |                         |                                                                                                                            |      |       |           |               |
| Drain-Source Breakdown Voltage                                           | $V_{DS}$                | $V_{GS} = 0\text{ V}, I_D = 250\text{ }\mu\text{A}$                                                                        | 190  |       |           | V             |
| $V_{DS}$ Temperature Coefficient                                         | $\Delta V_{DS}/T_J$     | $I_D = 250\text{ }\mu\text{A}$                                                                                             |      | 202   |           | mV/°C         |
| $V_{GS(th)}$ Temperature Coefficient                                     | $\Delta V_{GS(th)}/T_J$ |                                                                                                                            |      | - 3.2 |           |               |
| Gate-Source Threshold Voltage                                            | $V_{GS(th)}$            | $V_{DS} = V_{GS}, I_D = 250\text{ }\mu\text{A}$                                                                            | 0.6  |       | 1.5       | V             |
| Gate-Source Leakage                                                      | $I_{GSS}$               | $V_{DS} = 0\text{ V}, V_{GS} = \pm 16\text{ V}$                                                                            |      |       | $\pm 100$ | nA            |
| Zero Gate Voltage Drain Current                                          | $I_{DSS}$               | $V_{DS} = 190\text{ V}, V_{GS} = 0\text{ V}$                                                                               |      |       | 1         | $\mu\text{A}$ |
|                                                                          |                         | $V_{DS} = 190\text{ V}, V_{GS} = 0\text{ V}, T_J = 55\text{ }^\circ\text{C}$                                               |      |       | 10        |               |
| On-State Drain Current <sup>a</sup>                                      | $I_{D(on)}$             | $V_{DS} \geq 5\text{ V}, V_{GS} = 4.5\text{ V}$                                                                            | 1.5  |       |           | A             |
| Drain-Source On-State Resistance <sup>a</sup>                            | $R_{DS(on)}$            | $V_{GS} = 4.5\text{ V}, I_D = 0.5\text{ A}$                                                                                |      | 1.8   | 2.4       | $\Omega$      |
|                                                                          |                         | $V_{GS} = 2.5\text{ V}, I_D = 0.45\text{ A}$                                                                               |      | 1.9   | 2.6       |               |
|                                                                          |                         | $V_{GS} = 1.8\text{ V}, I_D = 0.2\text{ A}$                                                                                |      | 2.0   | 6.0       |               |
| Forward Transconductance <sup>a</sup>                                    | $g_{fs}$                | $V_{DS} = 10\text{ V}, I_D = 0.5\text{ A}$                                                                                 |      | 3     |           | S             |
| <b>Dynamic<sup>b</sup></b>                                               |                         |                                                                                                                            |      |       |           |               |
| Input Capacitance                                                        | $C_{iss}$               | $V_{DS} = 50\text{ V}, V_{GS} = 0\text{ V}, f = 1\text{ MHz}$                                                              |      | 135   |           | pF            |
| Output Capacitance                                                       | $C_{oss}$               |                                                                                                                            |      | 9     |           |               |
| Reverse Transfer Capacitance                                             | $C_{rss}$               |                                                                                                                            |      | 6     |           |               |
| Total Gate Charge                                                        | $Q_g$                   | $V_{DS} = 95\text{ V}, V_{GS} = 10\text{ V}, I_D = 0.7\text{ A}$                                                           |      | 4.3   | 6.5       | nC            |
|                                                                          |                         | $V_{DS} = 95\text{ V}, V_{GS} = 4.5\text{ V}, I_D = 0.7\text{ A}$                                                          |      | 2.3   | 3.5       |               |
| Gate-Source Charge                                                       | $Q_{gs}$                |                                                                                                                            |      | 0.4   |           |               |
| Gate-Drain Charge                                                        | $Q_{gd}$                |                                                                                                                            | 1.0  |       |           |               |
| Gate Resistance                                                          | $R_g$                   | $f = 1\text{ MHz}$                                                                                                         |      | 2.2   |           | $\Omega$      |
| Turn-On Delay Time                                                       | $t_{d(on)}$             | $V_{DD} = 95\text{ V}, R_L = 190\text{ }\Omega$<br>$I_D \cong 0.5\text{ A}, V_{GEN} = 4.5\text{ V}, R_g = 1\text{ }\Omega$ |      | 12    | 20        | ns            |
| Rise Time                                                                | $t_r$                   |                                                                                                                            |      | 16    | 25        |               |
| Turn-Off Delay Time                                                      | $t_{d(off)}$            |                                                                                                                            |      | 30    | 45        |               |
| Fall Time                                                                | $t_f$                   |                                                                                                                            |      | 15    | 25        |               |
| Turn-On Delay Time                                                       | $t_{d(on)}$             | $V_{DD} = 95\text{ V}, R_L = 190\text{ }\Omega$<br>$I_D \cong 0.5\text{ A}, V_{GEN} = 10\text{ V}, R_g = 1\text{ }\Omega$  |      | 5     | 10        |               |
| Rise Time                                                                | $t_r$                   |                                                                                                                            |      | 10    | 15        |               |
| Turn-Off Delay Time                                                      | $t_{d(off)}$            |                                                                                                                            |      | 10    | 15        |               |
| Fall Time                                                                | $t_f$                   |                                                                                                                            |      | 10    | 15        |               |
| <b>Drain-Source Body Diode Characteristics</b>                           |                         |                                                                                                                            |      |       |           |               |
| Continuous Source-Drain Diode Current                                    | $I_S$                   | $T_C = 25\text{ }^\circ\text{C}$                                                                                           |      |       | 1.5       | A             |
| Pulse Diode Forward Current                                              | $I_{SM}$                |                                                                                                                            |      |       | 1.5       |               |
| Body Diode Voltage                                                       | $V_{SD}$                | $I_S = 0.5\text{ A}, V_{GS} = 0\text{ V}$                                                                                  |      | 0.8   | 1.2       | V             |
| Body Diode Reverse Recovery Time                                         | $t_{rr}$                | $I_F = 0.5\text{ A}, di/dt = 100\text{ A}/\mu\text{s}, T_J = 25\text{ }^\circ\text{C}$                                     |      | 40    | 60        | ns            |
| Body Diode Reverse Recovery Charge                                       | $Q_{rr}$                |                                                                                                                            |      | 45    | 70        | nC            |
| Reverse Recovery Fall Time                                               | $t_a$                   |                                                                                                                            |      | 20    |           | ns            |
| Reverse Recovery Rise Time                                               | $t_b$                   |                                                                                                                            |      | 19    |           |               |

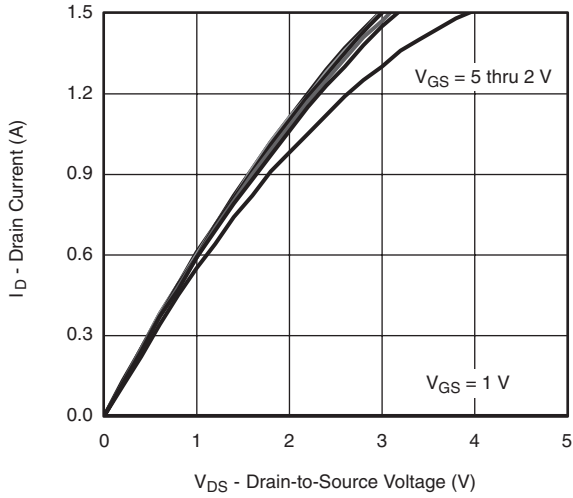
## Notes:

- a. Pulse test; pulse width  $\leq 300\text{ }\mu\text{s}$ , duty cycle  $\leq 2\%$ .  
b. Guaranteed by design, not subject to production testing.

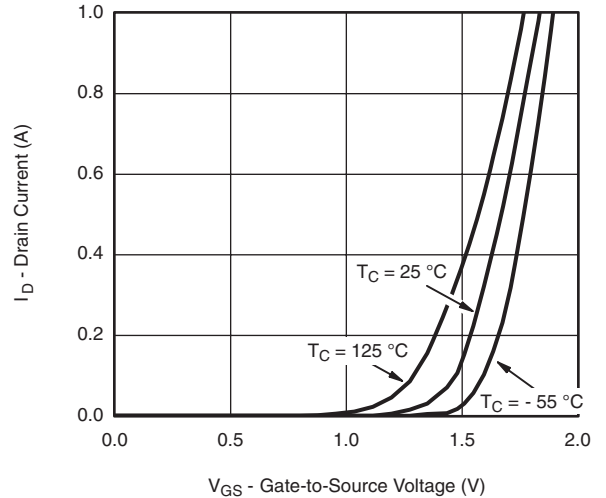
Stresses beyond those listed under "Absolute Maximum Ratings" may cause permanent damage to the device. These are stress ratings only, and functional operation of the device at these or any other conditions beyond those indicated in the operational sections of the specifications is not implied. Exposure to absolute maximum rating conditions for extended periods may affect device reliability.



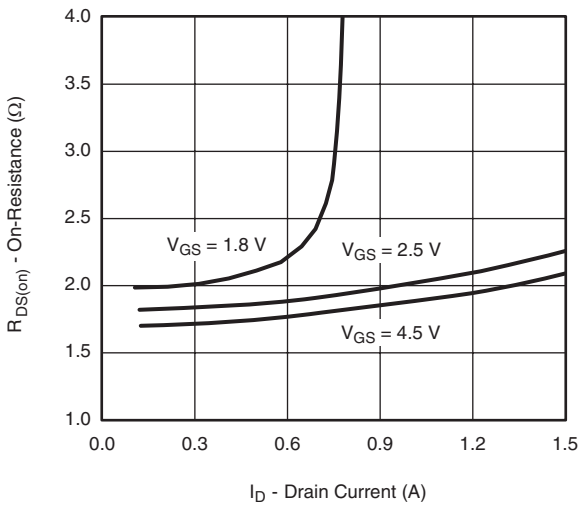
**TYPICAL CHARACTERISTICS** 25 °C, unless otherwise noted



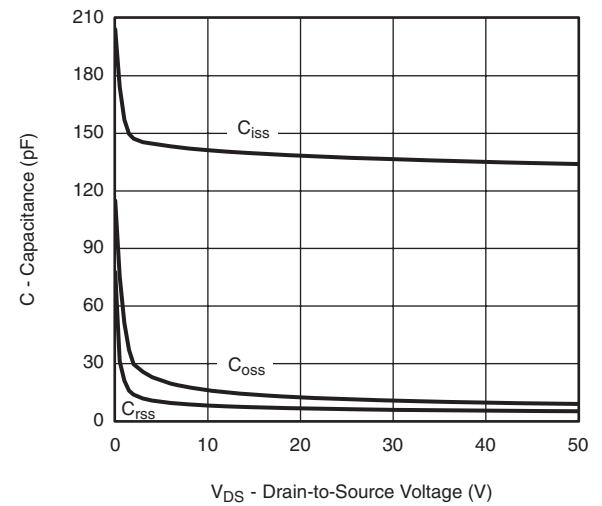
**Output Characteristics**



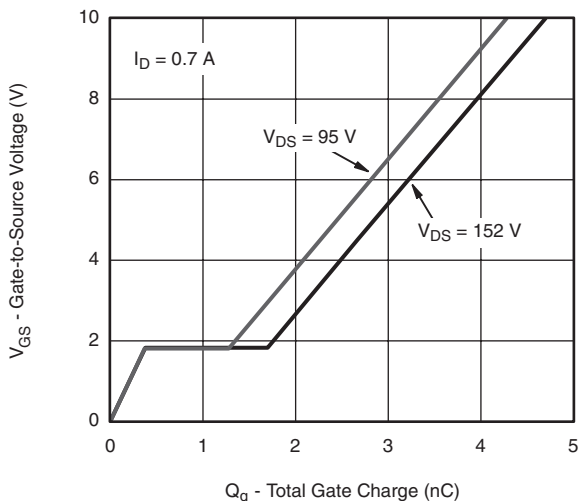
**Transfer Characteristics**



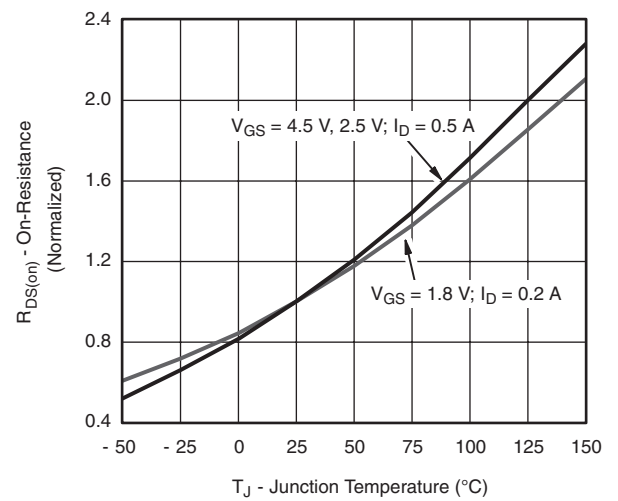
**On-Resistance vs. Drain Current and Gate Voltage**



**Capacitance**



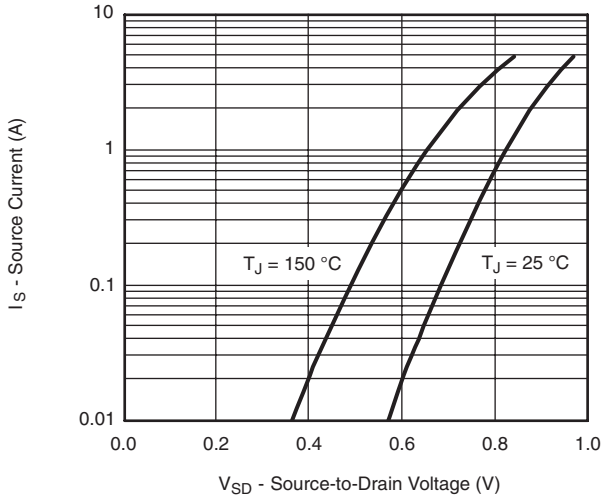
**Gate Charge**



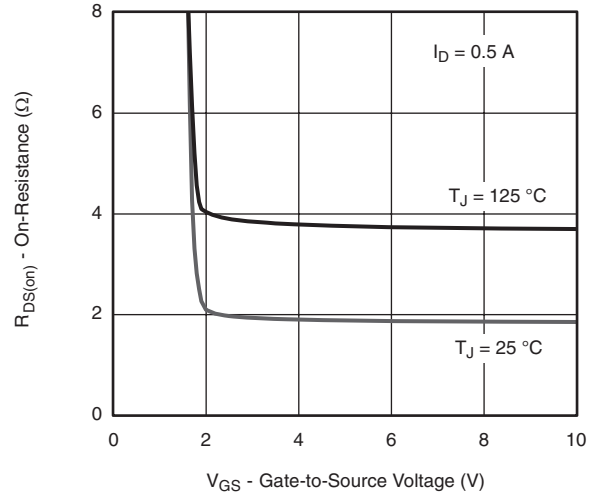
**On-Resistance vs. Junction Temperature**



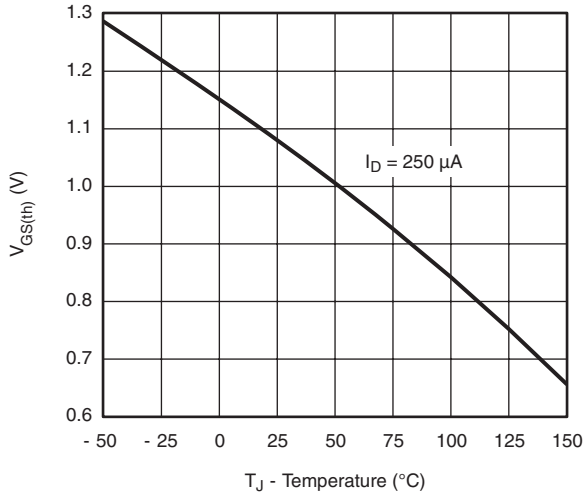
**TYPICAL CHARACTERISTICS** 25 °C, unless otherwise noted



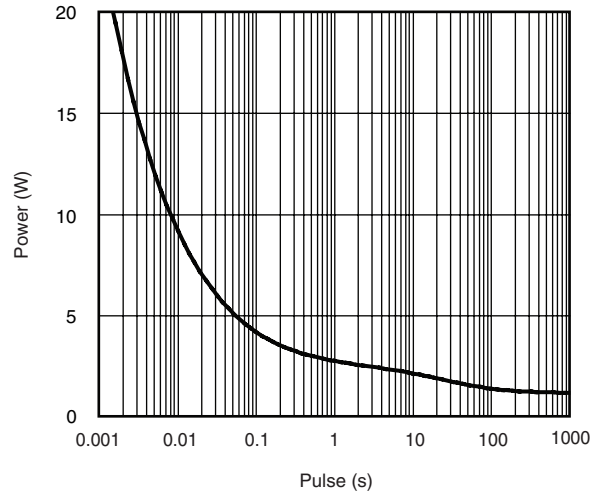
**Source-Drain Diode Forward Voltage**



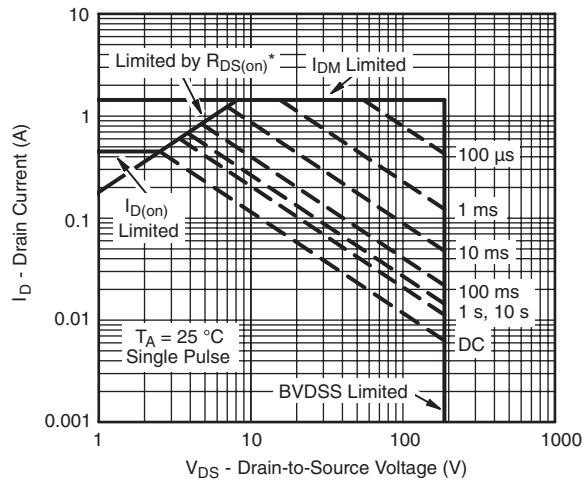
**On-Resistance vs. Gate-to-Source Voltage**



**Threshold Voltage**



**Single Pulse Power, Junction-to-Ambient**

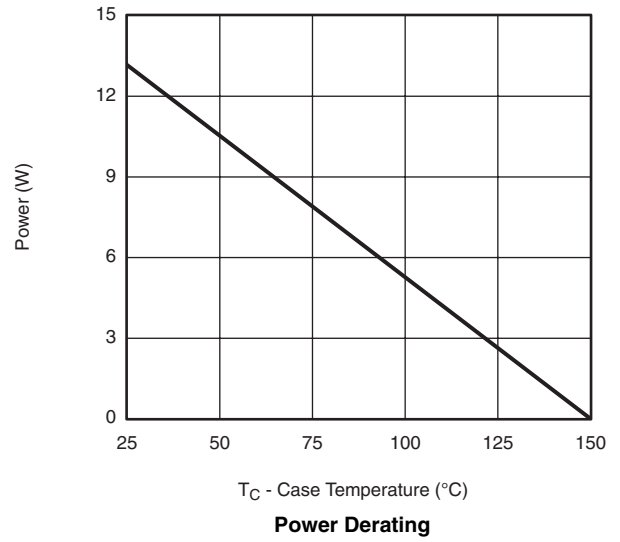
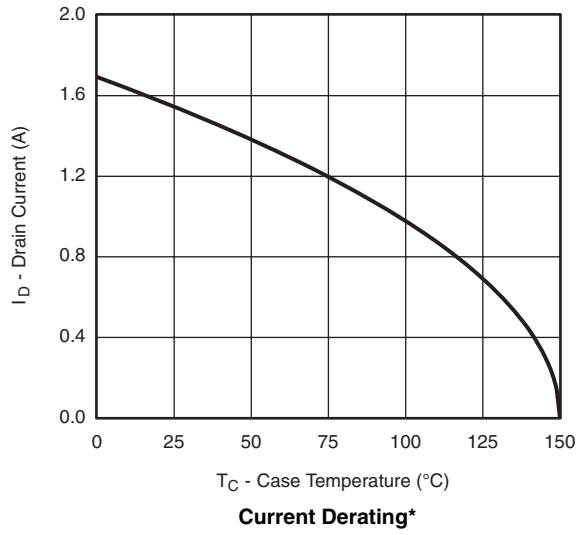


\*  $V_{GS} >$  minimum  $V_{GS}$  at which  $R_{DS(on)}$  is specified

**Safe Operating Area, Junction-to-Ambient**



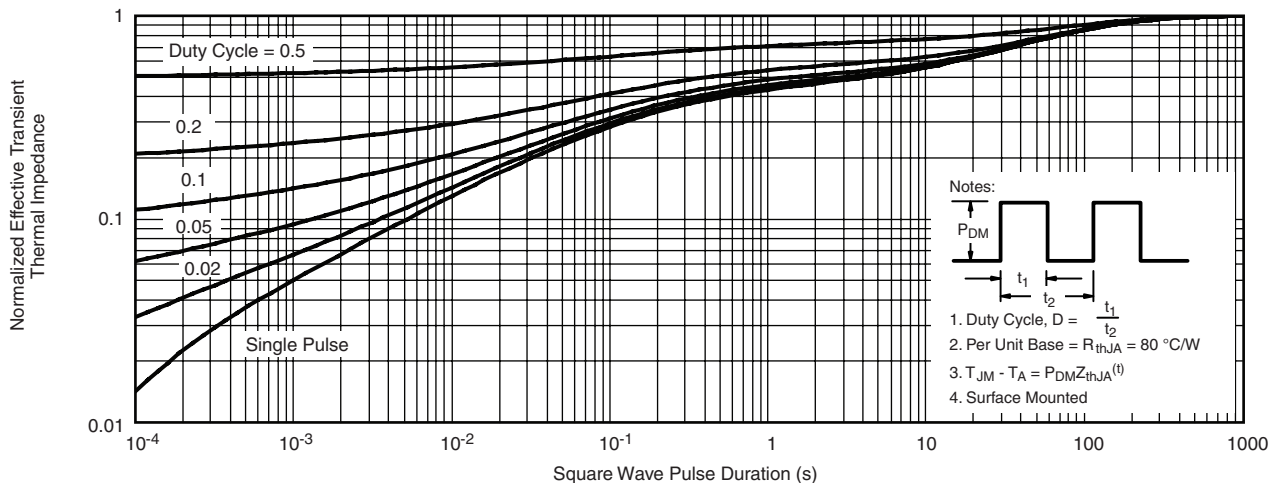
**TYPICAL CHARACTERISTICS** 25 °C, unless otherwise noted



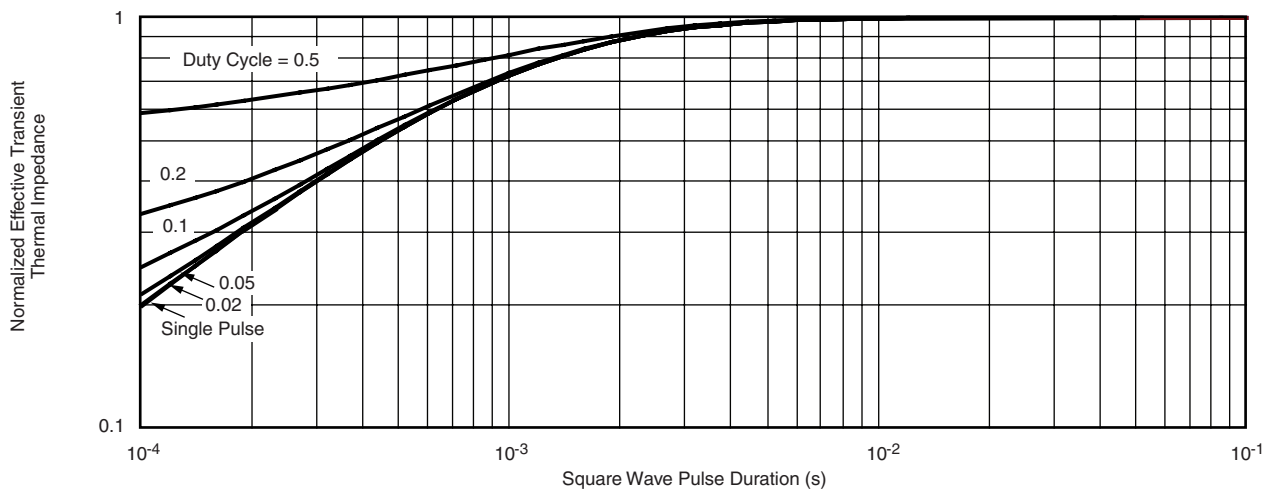
\* The power dissipation  $P_D$  is based on  $T_{J(max)} = 150$  °C, using junction-to-case thermal resistance, and is more useful in settling the upper dissipation limit for cases where additional heatsinking is used. It is used to determine the current rating, when this rating falls below the package limit.



**TYPICAL CHARACTERISTICS** 25 °C, unless otherwise noted



**Normalized Thermal Transient Impedance, Junction-to-Ambient**

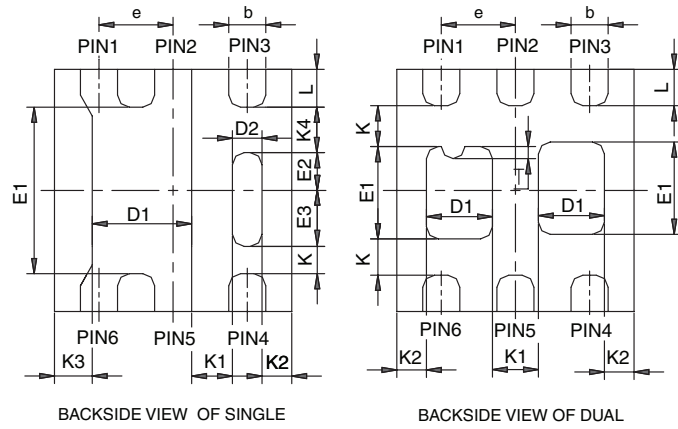


**Normalized Thermal Transient Impedance, Junction-to-Case**

Vishay Siliconix maintains worldwide manufacturing capability. Products may be manufactured at one of several qualified locations. Reliability data for Silicon Technology and Package Reliability represent a composite of all qualified locations. For related documents such as package/tape drawings, part marking, and reliability data, see <http://www.vishay.com/ppg?68832>.

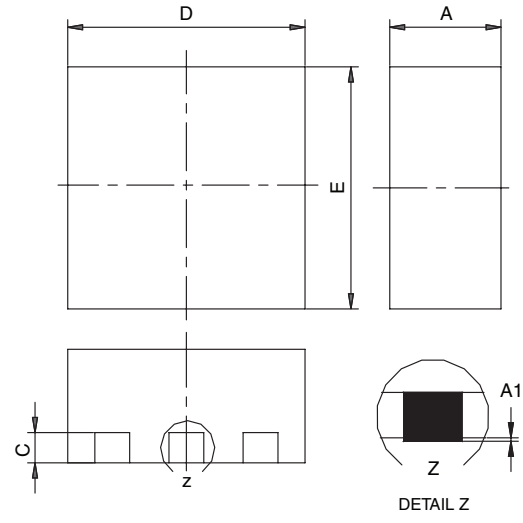


PowerPAK® SC75-6L



BACKSIDE VIEW OF SINGLE

BACKSIDE VIEW OF DUAL



- Notes:  
 1. All dimensions are in millimeters  
 2. Package outline exclusive of mold flash and metal burr  
 3. Package outline inclusive of plating

| DIM | SINGLE PAD  |      |      |           |       |       | DUAL PAD    |      |      |           |       |       |
|-----|-------------|------|------|-----------|-------|-------|-------------|------|------|-----------|-------|-------|
|     | MILLIMETERS |      |      | INCHES    |       |       | MILLIMETERS |      |      | INCHES    |       |       |
|     | Min         | Nom  | Max  | Min       | Nom   | Max   | Min         | Nom  | Max  | Min       | Nom   | Max   |
| A   | 0.675       | 0.75 | 0.80 | 0.027     | 0.030 | 0.032 | 0.675       | 0.75 | 0.80 | 0.027     | 0.030 | 0.032 |
| A1  | 0           | -    | 0.05 | 0         | -     | 0.002 | 0           | -    | 0.05 | 0         | -     | 0.002 |
| b   | 0.18        | 0.25 | 0.33 | 0.007     | 0.010 | 0.013 | 0.18        | 0.25 | 0.33 | 0.007     | 0.010 | 0.013 |
| C   | 0.15        | 0.20 | 0.25 | 0.006     | 0.008 | 0.010 | 0.15        | 0.20 | 0.25 | 0.006     | 0.008 | 0.010 |
| D   | 1.53        | 1.60 | 1.70 | 0.060     | 0.063 | 0.067 | 1.53        | 1.60 | 1.70 | 0.060     | 0.063 | 0.067 |
| D1  | 0.57        | 0.67 | 0.77 | 0.022     | 0.026 | 0.030 | 0.34        | 0.44 | 0.54 | 0.013     | 0.017 | 0.021 |
| D2  | 0.10        | 0.20 | 0.30 | 0.004     | 0.008 | 0.012 |             |      |      |           |       |       |
| E   | 1.53        | 1.60 | 1.70 | 0.060     | 0.063 | 0.067 | 1.53        | 1.60 | 1.70 | 0.060     | 0.063 | 0.067 |
| E1  | 1.00        | 1.10 | 1.20 | 0.039     | 0.043 | 0.047 | 0.51        | 0.61 | 0.71 | 0.020     | 0.024 | 0.028 |
| E2  | 0.20        | 0.25 | 0.30 | 0.008     | 0.010 | 0.012 |             |      |      |           |       |       |
| E3  | 0.32        | 0.37 | 0.42 | 0.013     | 0.015 | 0.017 |             |      |      |           |       |       |
| e   | 0.50 BSC    |      |      | 0.020 BSC |       |       | 0.50 BSC    |      |      | 0.020 BSC |       |       |
| K   | 0.180 TYP   |      |      | 0.007 TYP |       |       | 0.245 TYP   |      |      | 0.010 TYP |       |       |
| K1  | 0.275 TYP   |      |      | 0.011 TYP |       |       | 0.320 TYP   |      |      | 0.013 TYP |       |       |
| K2  | 0.200 TYP   |      |      | 0.008 TYP |       |       | 0.200 BSC   |      |      | 0.008 TYP |       |       |
| K3  | 0.255 TYP   |      |      | 0.010 TYP |       |       |             |      |      |           |       |       |
| K4  | 0.300 TYP   |      |      | 0.012 TYP |       |       |             |      |      |           |       |       |
| L   | 0.15        | 0.25 | 0.35 | 0.006     | 0.010 | 0.014 | 0.15        | 0.25 | 0.35 | 0.006     | 0.010 | 0.014 |
| T   |             |      |      |           |       |       | 0.03        | 0.08 | 0.13 | 0.001     | 0.003 | 0.005 |

ECN: C-07431 – Rev. C, 06-Aug-07  
 DWG: 5935

## RECOMMENDED PAD LAYOUT FOR PowerPAK® SC75-6L Single



[Return to Index](#)





## Disclaimer

ALL PRODUCT, PRODUCT SPECIFICATIONS AND DATA ARE SUBJECT TO CHANGE WITHOUT NOTICE TO IMPROVE RELIABILITY, FUNCTION OR DESIGN OR OTHERWISE.

Vishay Intertechnology, Inc., its affiliates, agents, and employees, and all persons acting on its or their behalf (collectively, "Vishay"), disclaim any and all liability for any errors, inaccuracies or incompleteness contained in any datasheet or in any other disclosure relating to any product.

Vishay makes no warranty, representation or guarantee regarding the suitability of the products for any particular purpose or the continuing production of any product. To the maximum extent permitted by applicable law, Vishay disclaims (i) any and all liability arising out of the application or use of any product, (ii) any and all liability, including without limitation special, consequential or incidental damages, and (iii) any and all implied warranties, including warranties of fitness for particular purpose, non-infringement and merchantability.

Statements regarding the suitability of products for certain types of applications are based on Vishay's knowledge of typical requirements that are often placed on Vishay products in generic applications. Such statements are not binding statements about the suitability of products for a particular application. It is the customer's responsibility to validate that a particular product with the properties described in the product specification is suitable for use in a particular application. Parameters provided in datasheets and/or specifications may vary in different applications and performance may vary over time. All operating parameters, including typical parameters, must be validated for each customer application by the customer's technical experts. Product specifications do not expand or otherwise modify Vishay's terms and conditions of purchase, including but not limited to the warranty expressed therein.

Except as expressly indicated in writing, Vishay products are not designed for use in medical, life-saving, or life-sustaining applications or for any other application in which the failure of the Vishay product could result in personal injury or death. Customers using or selling Vishay products not expressly indicated for use in such applications do so at their own risk. Please contact authorized Vishay personnel to obtain written terms and conditions regarding products designed for such applications.

No license, express or implied, by estoppel or otherwise, to any intellectual property rights is granted by this document or by any conduct of Vishay. Product names and markings noted herein may be trademarks of their respective owners.

## Material Category Policy

**Vishay Intertechnology, Inc. hereby certifies that all its products that are identified as RoHS-Compliant fulfill the definitions and restrictions defined under Directive 2011/65/EU of The European Parliament and of the Council of June 8, 2011 on the restriction of the use of certain hazardous substances in electrical and electronic equipment (EEE) - recast, unless otherwise specified as non-compliant.**

**Please note that some Vishay documentation may still make reference to RoHS Directive 2002/95/EC. We confirm that all the products identified as being compliant to Directive 2002/95/EC conform to Directive 2011/65/EU.**

**Vishay Intertechnology, Inc. hereby certifies that all its products that are identified as Halogen-Free follow Halogen-Free requirements as per JEDEC JS709A standards. Please note that some Vishay documentation may still make reference to the IEC 61249-2-21 definition. We confirm that all the products identified as being compliant to IEC 61249-2-21 conform to JEDEC JS709A standards.**



Компания «ЭлектроПласт» предлагает заключение долгосрочных отношений при поставках импортных электронных компонентов на взаимовыгодных условиях!

Наши преимущества:

- Оперативные поставки широкого спектра электронных компонентов отечественного и импортного производства напрямую от производителей и с крупнейших мировых складов;
- Поставка более 17-ти миллионов наименований электронных компонентов;
- Поставка сложных, дефицитных, либо снятых с производства позиций;
- Оперативные сроки поставки под заказ (от 5 рабочих дней);
- Экспресс доставка в любую точку России;
- Техническая поддержка проекта, помощь в подборе аналогов, поставка прототипов;
- Система менеджмента качества сертифицирована по Международному стандарту ISO 9001;
- Лицензия ФСБ на осуществление работ с использованием сведений, составляющих государственную тайну;
- Поставка специализированных компонентов (Xilinx, Altera, Analog Devices, Intersil, Interpoint, Microsemi, Aeroflex, Peregrine, Syfer, Eurofarad, Texas Instrument, Miteq, Cobham, E2V, MA-COM, Hittite, Mini-Circuits, General Dynamics и др.);

Помимо этого, одним из направлений компании «ЭлектроПласт» является направление «Источники питания». Мы предлагаем Вам помощь Конструкторского отдела:

- Подбор оптимального решения, техническое обоснование при выборе компонента;
- Подбор аналогов;
- Консультации по применению компонента;
- Поставка образцов и прототипов;
- Техническая поддержка проекта;
- Защита от снятия компонента с производства.



#### Как с нами связаться

**Телефон:** 8 (812) 309 58 32 (многоканальный)

**Факс:** 8 (812) 320-02-42

**Электронная почта:** [org@eplast1.ru](mailto:org@eplast1.ru)

**Адрес:** 198099, г. Санкт-Петербург, ул. Калинина, дом 2, корпус 4, литера А.