

3+3W DUAL BRIDGE AMPLIFIER

PRODUCT PREVIEW

1 FEATURES

- TECHNOLOGY BI20II
- WIDE SUPPLY VOLTAGE RANGE (3.5 - 12V)
- OUTPUT POWER:
 - 3+3W @THD = 10%, $R_L = 8\Omega$, $V_{CC} = 7.5V$
 - 4+4W Music Power @THD = 10%, $R_L = 8\Omega$, $V_{CC} = 8.5V$
- SINGLE SUPPLY
- MINIMUM EXTERNAL COMPONENTS:
 - NO SVR CAPACITOR
 - NO BOOTSTRAP
 - NO BOUCHEROT CELLS
 - INTERNALLY FIXED GAIN
- STAND-BY & MUTE FUNCTIONS
- SHORT CIRCUIT PROTECTION
- THERMAL OVERLOAD PROTECTION

Figure 1. Package



Table 1. Order Codes

Part Number	Package
TDA7266P	PowerSSO24 (Slug Down)

2 DESCRIPTION

The TDA7266P is a dual bridge amplifier specially designed for LCD TV/Monitor, PC Motherboard, TV and Portable Audio applications.

Figure 2. Test and Application Diagram

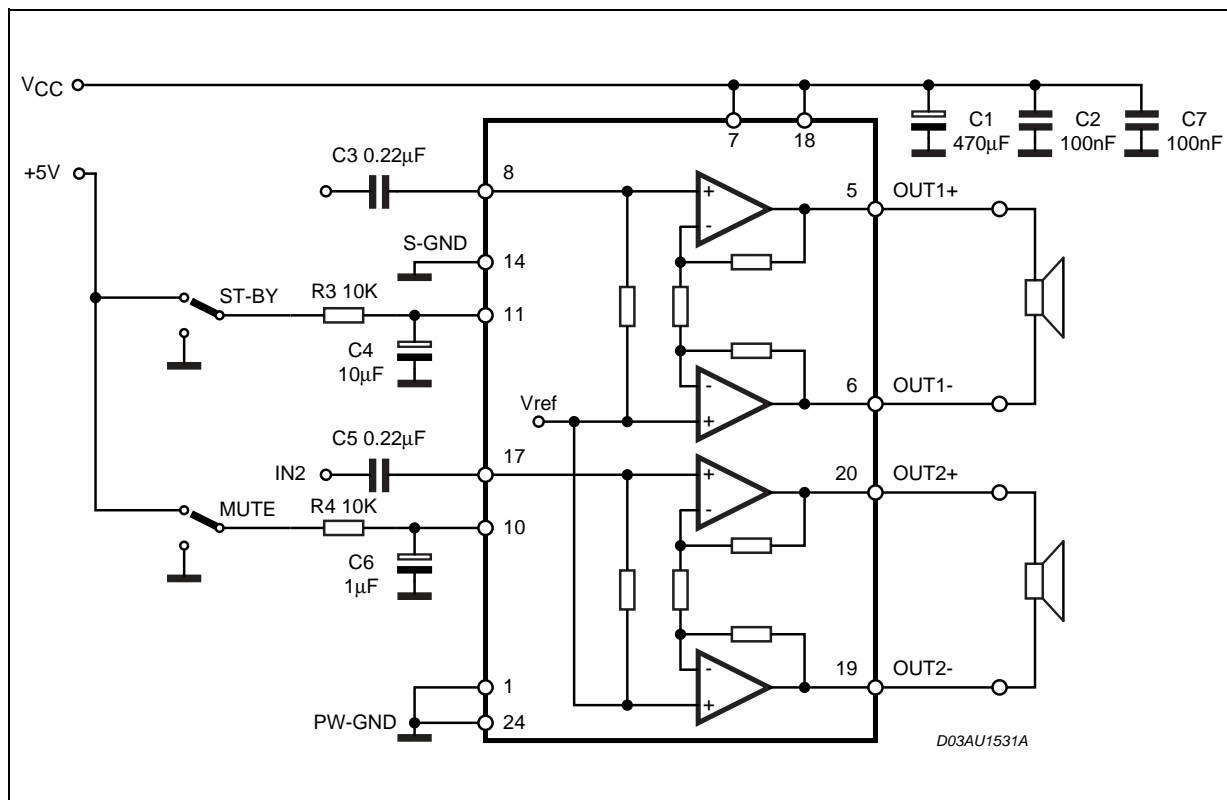


Table 2. Absolute Maximum Ratings

Symbol	Parameter	Value	Unit
V_s	Supply Voltage	20	V
I_O	Output Peak Current (internally limited)	1.5	A
T_{op}	Operating Temperature	0 to 70	°C
T_{stg}, T_j	Storage and Junction Temperature	-40 to 150	°C

Figure 3. Pin Connection (Top view)

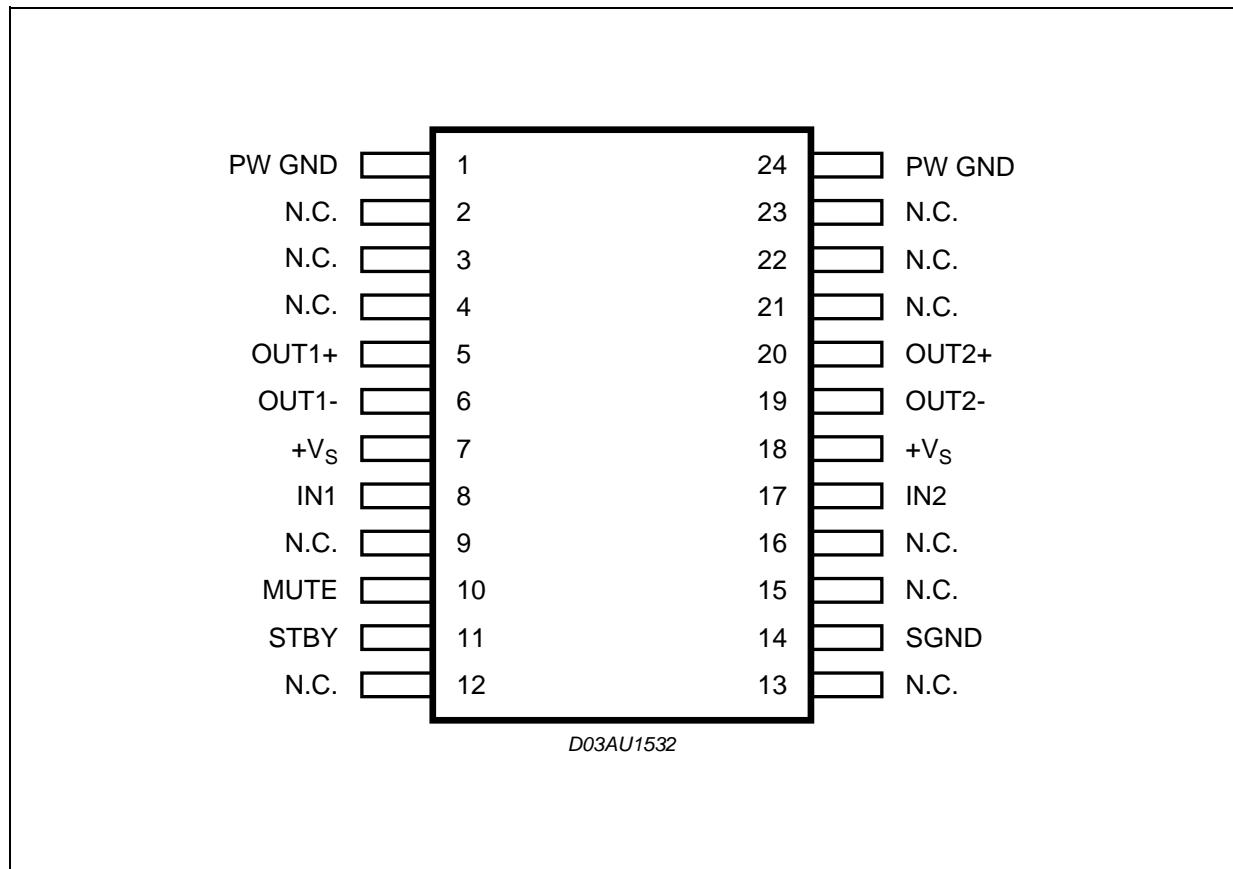


Table 3. Thermal Data

Symbol	Parameters	Value	Unit
$R_{th\ j-case}$	Thermal Resistance Junction to Case	Typ. 1.5	°C/W

Table 4. Electrical Characteristics(Refer to test circuit; $V_{CC} = 7.5V$, $R_L = 8\Omega$, $f = 1KHz$, $T_{amb} = 25^\circ C$ unless otherwise specified)

Symbol	Parameter	Test Condition	Min.	Typ.	Max.	Unit
V_{CC}	Supply Range		3.5		12	V
I_q	Total Quiescent Current			40		mA
V_{OS}	Output Offset Voltage				120	mV
P_O	Output Power	THD 10%		3		W
P_O	Output Music Power (*)			4		W
THD	Total Harmonic Distortion	$P_O = 1W$		0.03	0.2	%
		$P_O = 0.1W$ to $2W$ $f = 100Hz$ to $15KHz$			1	%
SVR	Supply Voltage Rejection	$f = 100Hz$, $V_R = 0.5V$	40	56		dB
CT	Crosstalk		46	60		dB
A_{MUTE}	Mute Attenuation		60	80		dB
T_w	Thermal Threshold			150		$^\circ C$
G_V	Closed Loop Voltage Gain		25	26	27	dB
ΔG_V	Voltage Gain Matching				0.5	dB
R_i	Input Resistance		25	30		$K\Omega$
V_{TMUTE}	Mute Threshold	for $V_{CC} > 6.4V$; $V_o = -30dB$	2.3	2.9	4.1	V
		for $V_{CC} < 6.4V$; $V_o = -30dB$	$V_{CC}/2 - 1$	$V_{CC}/2 - 0.75$	$V_{CC}/2 - 0.5$	V
V_{TST-BY}	St-by Threshold		0.8	1.3	1.8	V
I_{ST-BY}	St-by Current $V_6 = GND$				100	μA
e_N	Total Output Voltage	A Curve		150		μV

(*) Measured on demoboard of figure 8 with gaussian noise signal which simulates Music/Speech programmes.

3 APPLICATIVE SUGGESTIONS

3.1 STAND-BY AND MUTE FUNCTIONS

3.1.1 (A) Microprocessor Application

In order to avoid annoying "Pop-Noise" during Turn-On/Off transients, it is necessary to guarantee the right St-by and mute signals sequence. It is quite simple to obtain this function using a microprocessor (Fig. 4 and 5).

At first St-by signal (from μ P) goes high and the voltage across the St-by terminal (Pin 11) starts to increase exponentially. The external RC network is intended to turn-on slowly the biasing circuits of the amplifier, this to avoid "POP" and "CLICK" on the outputs.

When this voltage reaches the St-by threshold level, the amplifier is switched-on and the external capacitors in series to the input terminals (C1, C3) start to charge.

It's necessary to maintain the mute signal low until the capacitors are fully charged, this to avoid that the device goes in play mode causing a loud "Pop Noise" on the speakers.

A delay of 100-200ms between St-by and mute signals is suitable for a proper operation.

Figure 4. Microprocessor Application

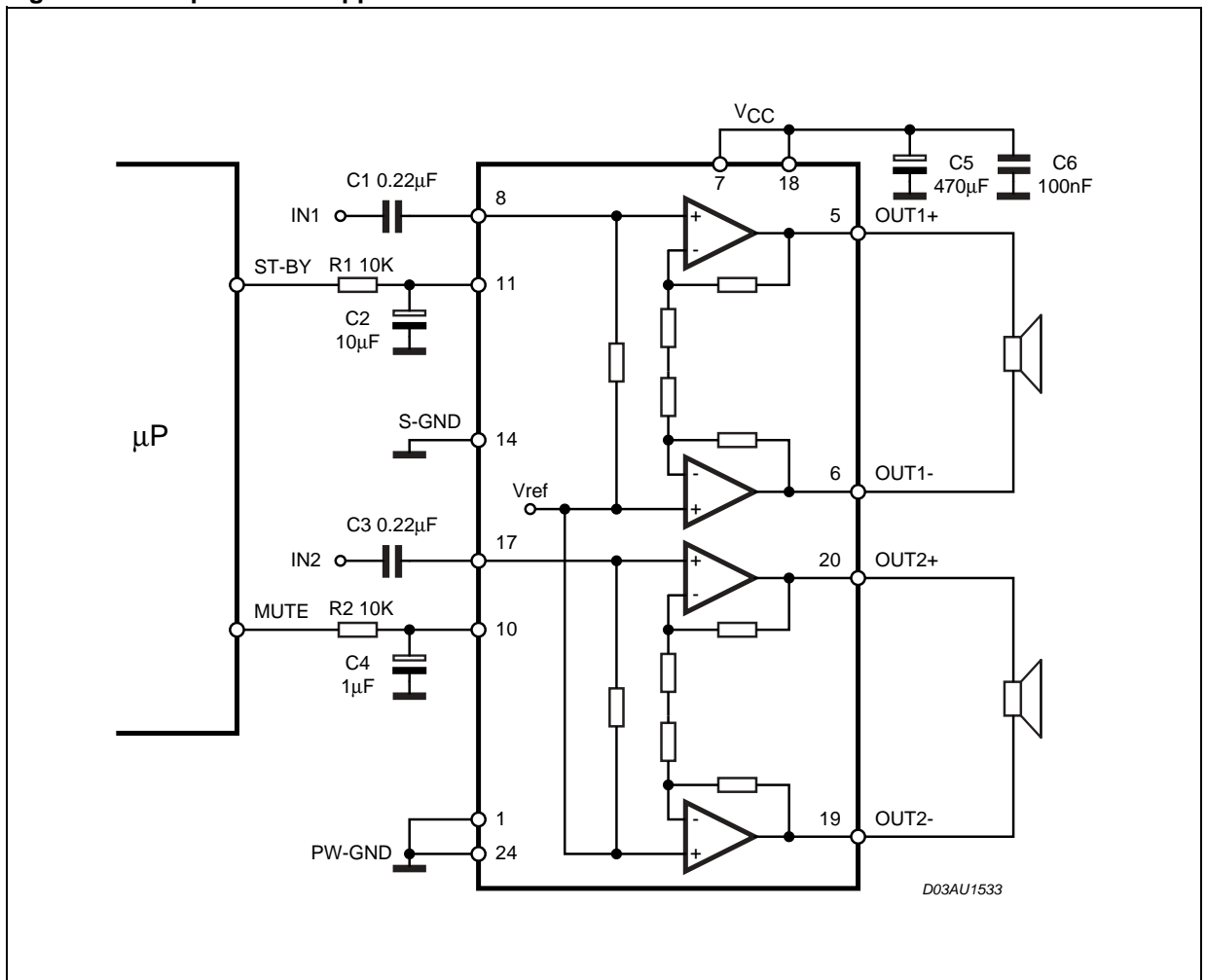
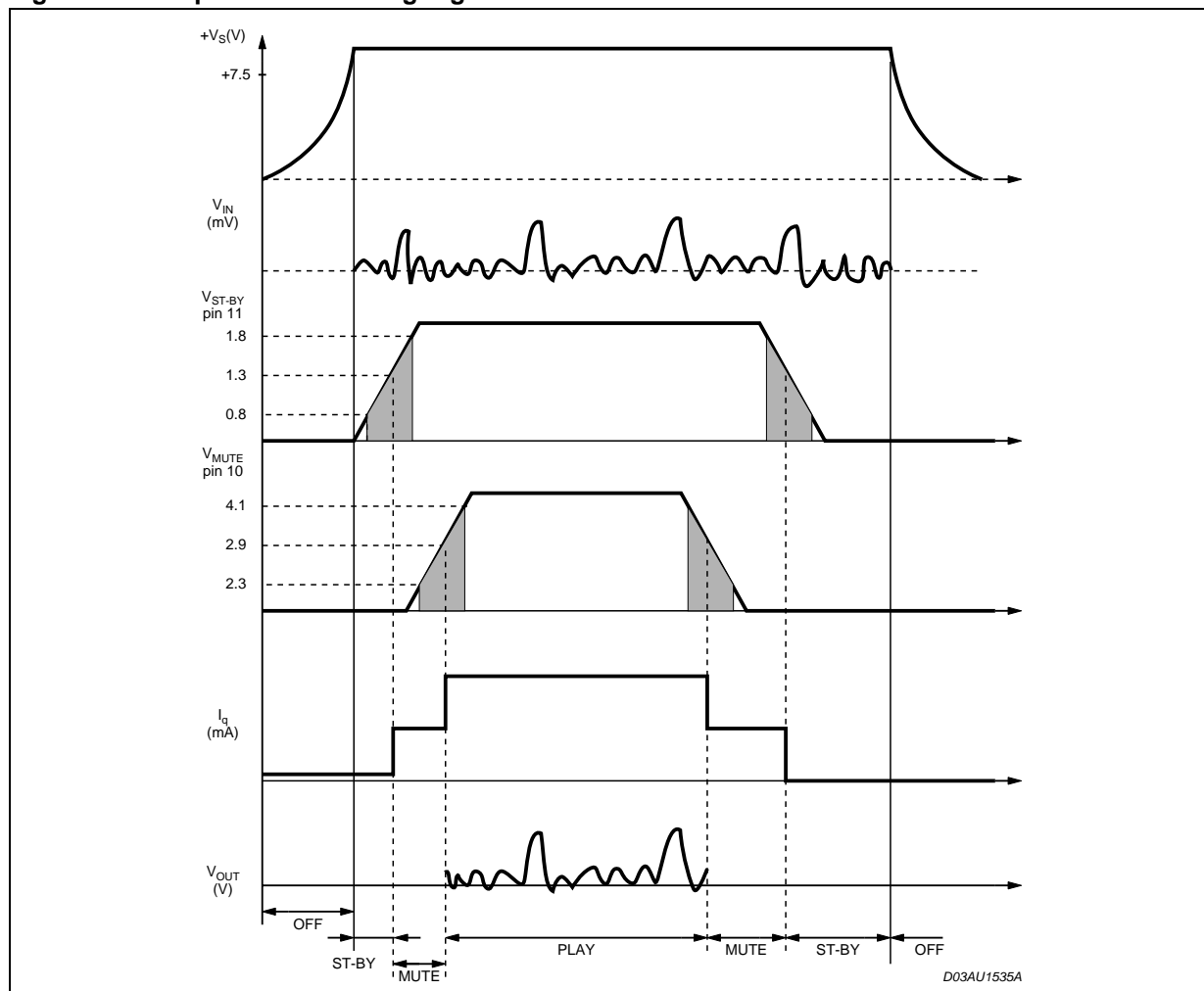


Figure 5. Microprocessor Driving Signals



3.1.2 B) Low Cost Application

In low cost applications where the μP is not present, the suggested circuit is shown in fig.6.

The St-by and mute terminals are tied together and they are connected to the supply line via an external voltage divider.

The device is switched-on/off from the supply line and the external capacitor C4 is intended to delay the St-by and mute threshold exceeding, avoiding "Popping" problems.

So to avoid any popping or clicking sound, it is important to clock:

- a **Correct Sequence:** At turn-ON, the Stand-by must be removed at first, then the Mute must be released after a delay of about 100-200ms. On the contrary at turn-OFF the Mute must be activated as first and then the Stand-by.

With the values suggested in the Application circuit the right operation is guaranteed.

- b **Correct Threshold Voltages:** In order to avoid that due to the spread in the internal thresholds (see the above limits) a wrong external voltage causes uncertain commutations for the two functions we suggest to use the following values:

Mute for $V_{CC} > 6.4V$: $V_T = 2.3V$
Mute for $V_{CC} < 6.4V$: $V_T = V_{CC}/2 - 1$
Stand-by	: $V_T = 0.8V$

Figure 6. Stand-alone low-cost Application

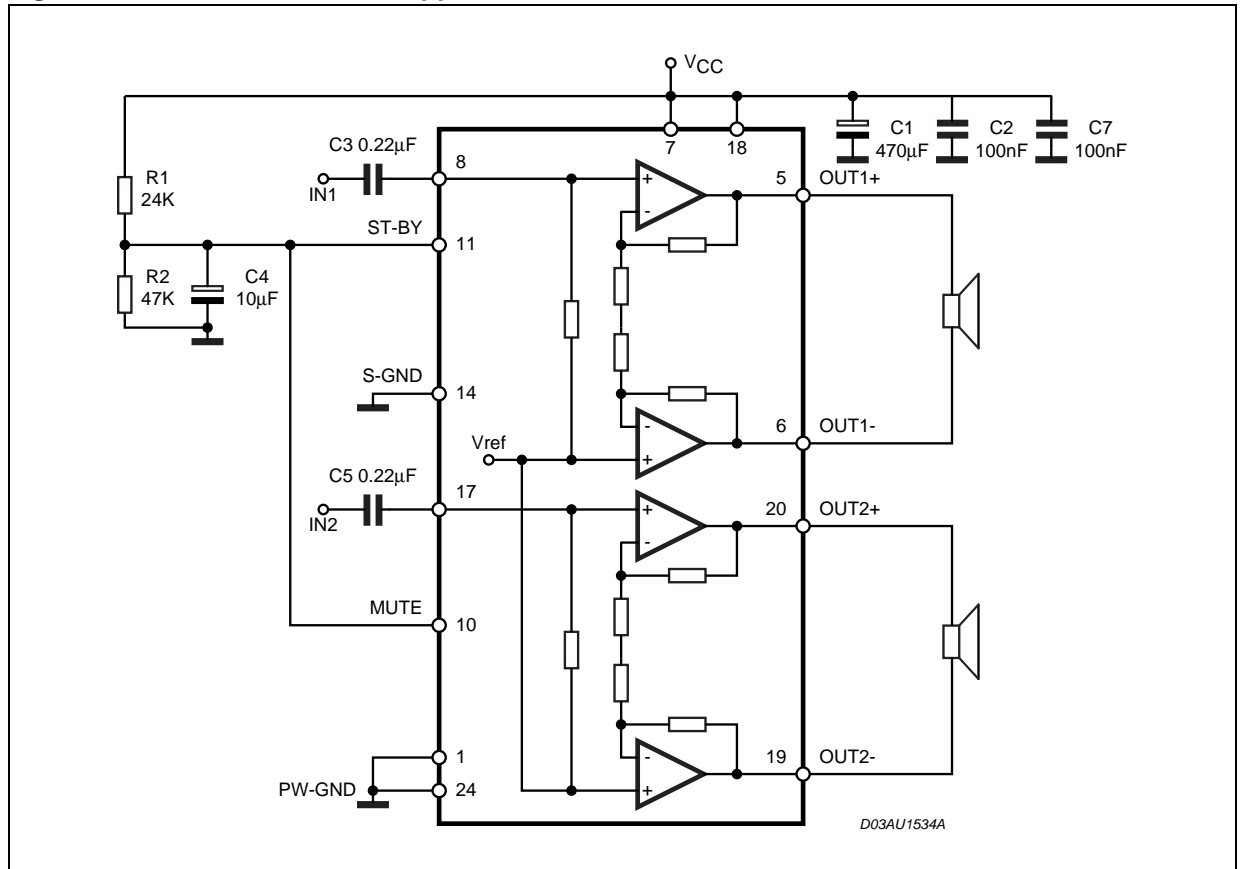


Figure 7. Application Circuit

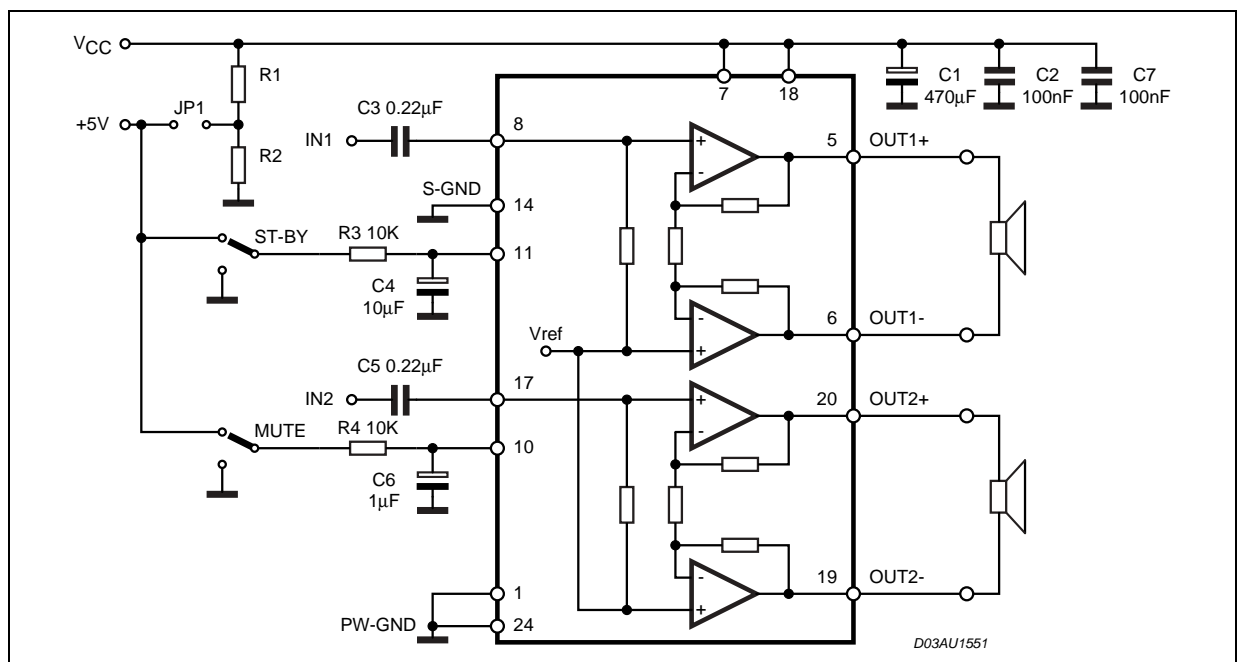


Figure 8. PCB Component Layout

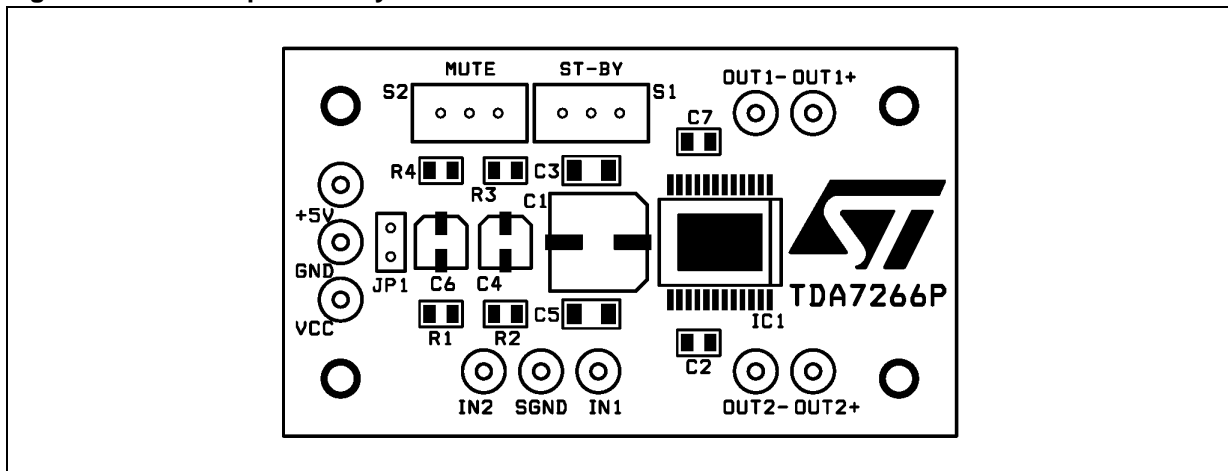


Figure 9. PCB Copper Top (Top view)

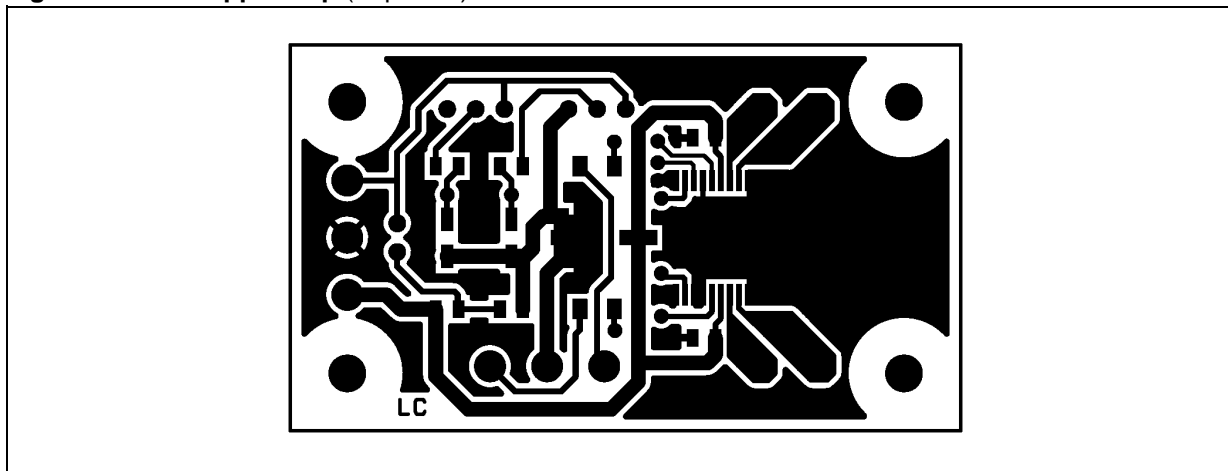
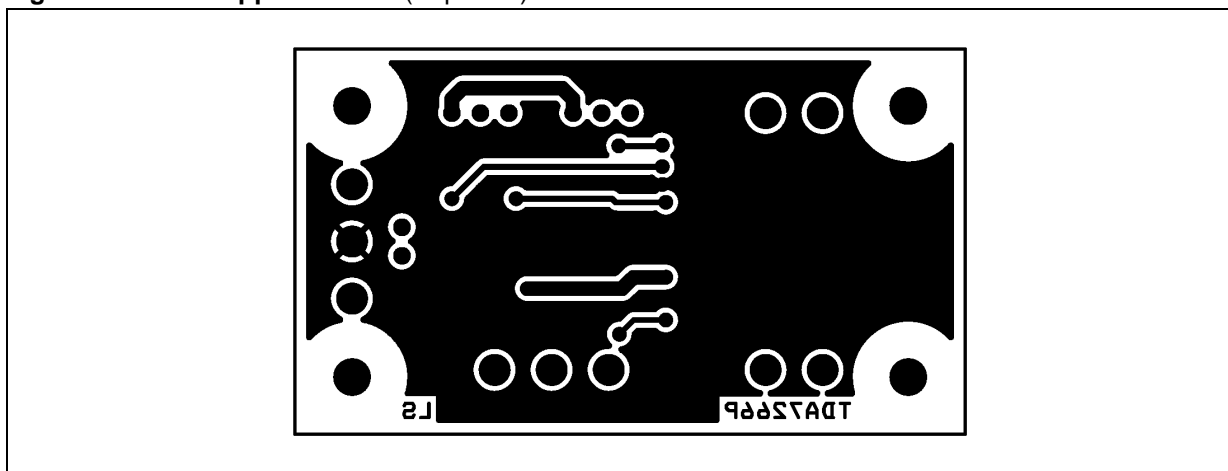


Figure 10. PCB Copper Bottom (Top view)



4 PCB LAYOUT AND EXTERNAL COMPONENTS

Regarding the PCB layout care must be taken for three main subjects:

- 1) Signal and Power Gnd separation
- 2) Dissipating Copper Area
- 3) Filter Capacitors positioning

1) Signal and Power Gnd separation:

To the Signal GND must be referred the Audio Input Signals, the Mute and Stand-by Voltages and the device PIN.14. This Gnd path must be as clean as possible in order to improve the device THD+Noise and to avoid spurious oscillations across the speakers.

The Power GND is directly connected to the Output power Stage transistors (Emitters) and is crossed by large amount of current, this path is also used in this device to dissipate the heating generated (no needs of external heatsinker).

Referring to the typical application circuit, the separation between the two GND paths must be obtained connecting them separately (star routing) to the bulk

Electrolithic capacitor C1 (470µF).

Regarding the Power Gnd dimensioning we have to consider the Dissipated Power the Thermal Protection Threshold and the Package thermal Characteristics.

2) Dissipating Copper Area:

Dissipated Power:

The max dissipated power happens for a THD near 1% and is given by the formula:

$$P_{dmax(W)} = 2 \cdot \frac{V_{CC}^2}{\pi \cdot \frac{2RI}{2}} + I_q V_{CC}$$

This gives for: $V_{CC} = 7.5V$, $RI = 8\Omega$, $I_q = 40mA$ a dissipated power of $P_d = 3W$.

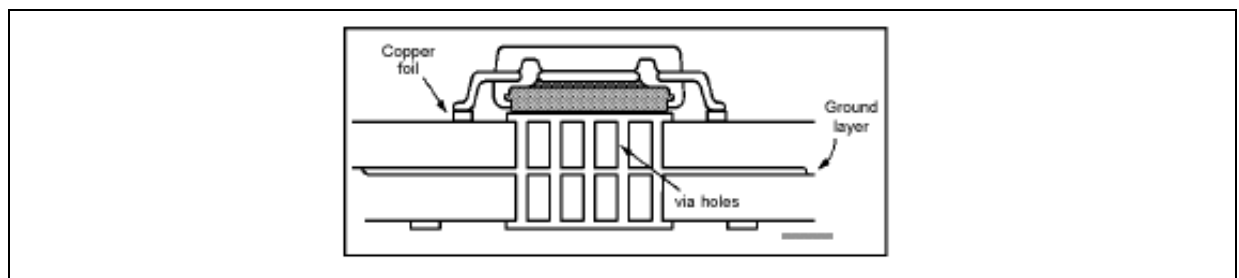
Thermal Protection:

The thermal protection threshold is placed at a junction temperature of 150°C.

Package Thermal Characteristics:

The thermal resistance Junction to Ambient obtainable with a GND copper Area of 3x3 cm and with 16 via holes (see picture) is about 25°C/W. This means that with the above mentioned max dissipated Power ($P_d=3W$) we can expect a 75°C, this gives a safety margin before the thermal protection intervention in the consumer environments where a 50°C ambient is specified as maximum

Figure 11.



3) Filter Capacitors Positioning:

The two Ceramic capacitors C2/C7 (100nF) must be placed as close as possible respectively to the two Vcc pins (7 - 18) in order to avoid the possibiltiy of oscillations arising on the output Audio signals.

5 TYPICAL CHARACTERISTICS (Referred to application circuit of figure 8 unless otherwise specified)

Figure 12. Distortion vs Frequency

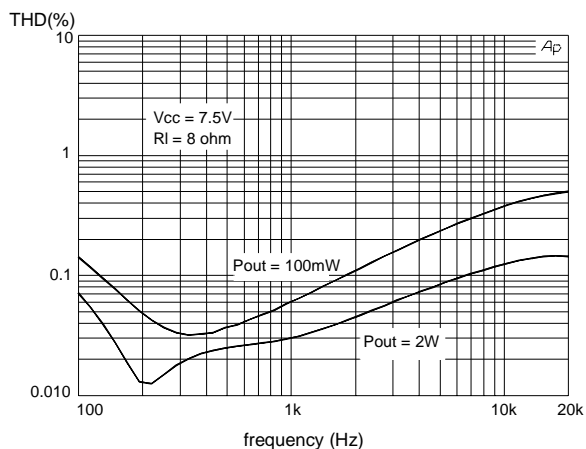


Figure 15. Gain vs Frequency

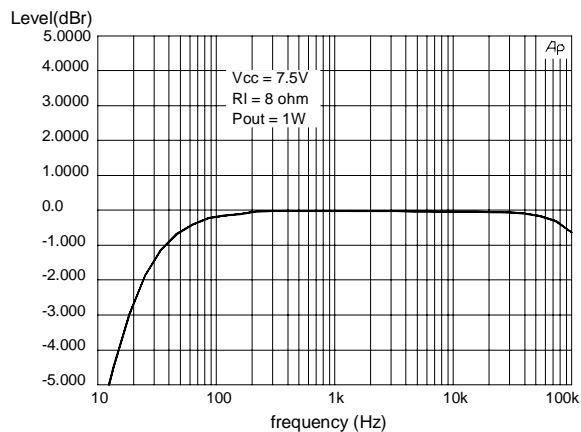


Figure 13. Distortion vs Output Power

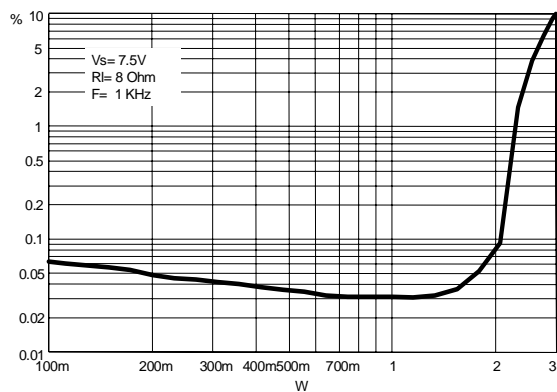


Figure 16. Mute Attenuation vs Vpin.10

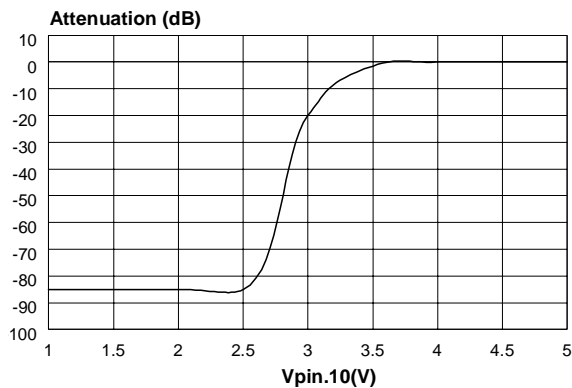


Figure 14. Distortion vs Output Power

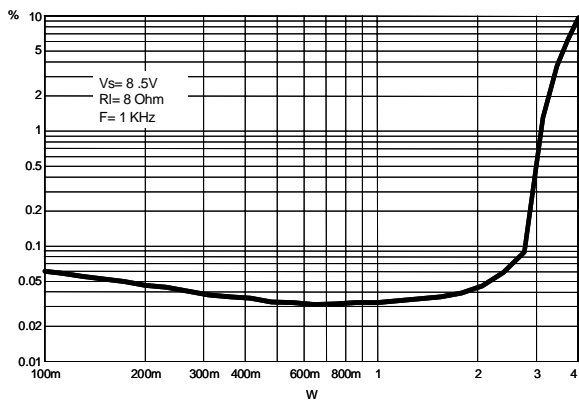


Figure 17. Stand-By attenuation vs Vpin 11

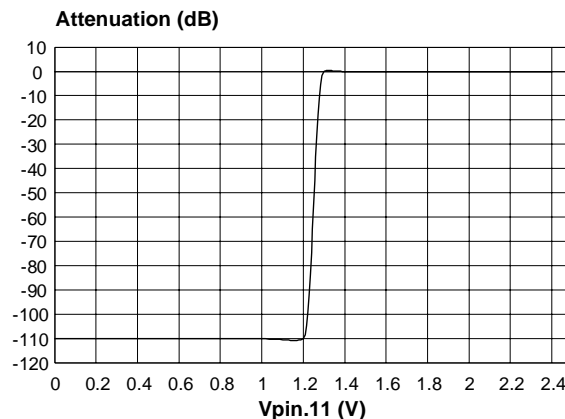
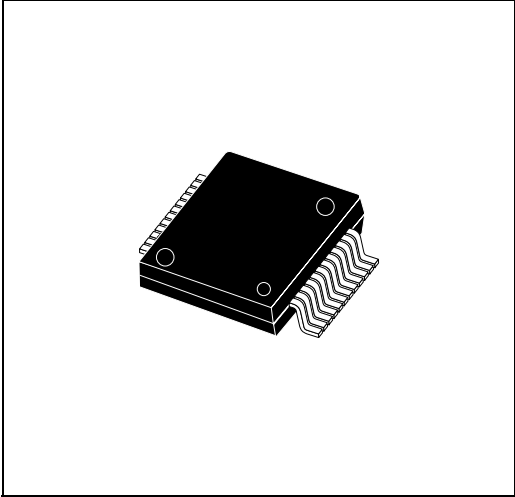


Figure 18. PowerSSO24 Mechanical Data & Package Dimensions

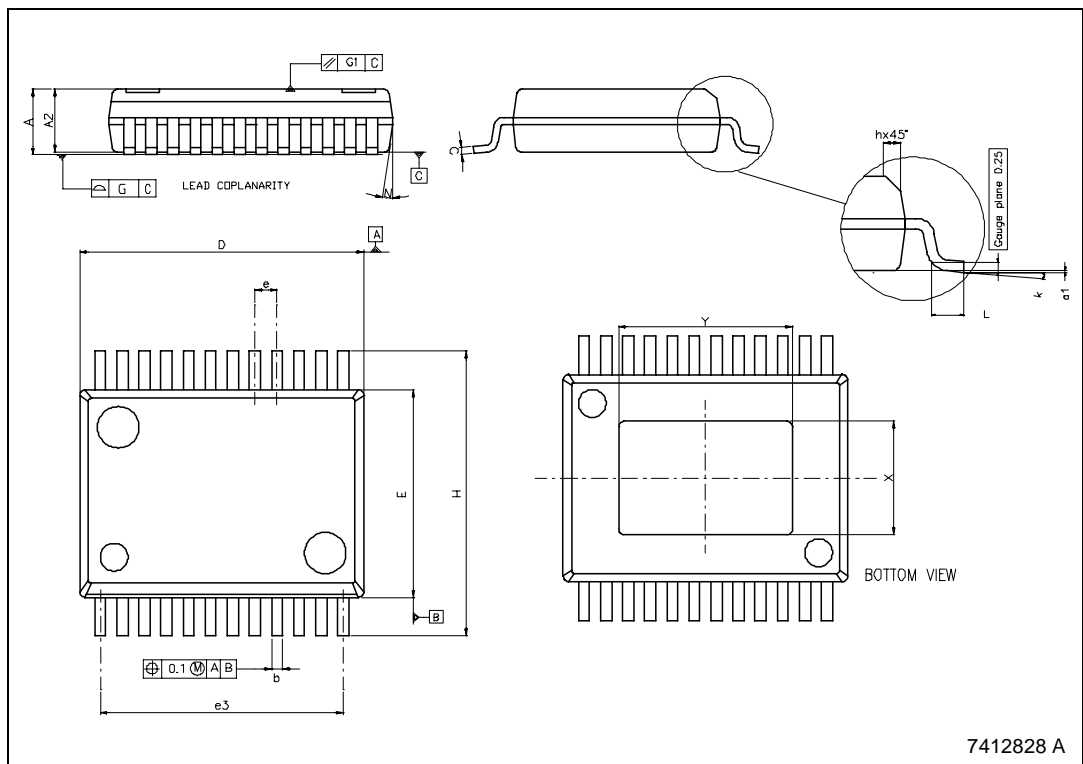
DIM.	mm			inch		
	MIN.	TYP.	MAX.	MIN.	TYP.	MAX.
A	2.15		2.47	0.084		0.097
A2	2.15		2.40	0.084		0.094
a1	0		0.075	0		0.003
b	0.33		0.51	0.013		0.020
c	0.23		0.32	0.009		0.012
D (1)	10.10		10.50	0.398		0.413
E (1)	7.4		7.6	0.291		0.299
e		0.8			0.031	
e3		8.8			0.346	
G			0.10			0.004
G1			0.06			0.002
H	10.10		10.50	0.398		0.413
h			0.40			0.016
L	0.55		0.85	0.022		0.033
N	10° (max)					
X	4.10		4.70	0.161		0.185
Y	6.50		7.10	0.256		0.279

- (1) "D and E1" do not include mold flash or protrusions. Mold flash or protrusions shall not exceed 0.15mm (0.006")
- (2) No intrusion allowed inwards the leads.
- (3) Flash or bleeds on exposed die pad shall not exceed 0.4 mm per side

OUTLINE AND MECHANICAL DATA



PowerSSO24



7412828 A

Table 5. Revision History

Date	Revision	Description of Changes
May 2004	1	First Issue
July 2004	2	Electrical Characteristics: Deleted TYP. Value VCC

Information furnished is believed to be accurate and reliable. However, STMicroelectronics assumes no responsibility for the consequences of use of such information nor for any infringement of patents or other rights of third parties which may result from its use. No license is granted by implication or otherwise under any patent or patent rights of STMicroelectronics. Specifications mentioned in this publication are subject to change without notice. This publication supersedes and replaces all information previously supplied. STMicroelectronics products are not authorized for use as critical components in life support devices or systems without express written approval of STMicroelectronics.

The ST logo is a registered trademark of STMicroelectronics.
All other names are the property of their respective owners

© 2004 STMicroelectronics - All rights reserved

STMicroelectronics GROUP OF COMPANIES

Australia - Belgium - Brazil - Canada - China - Czech Republic - Finland - France - Germany - Hong Kong - India - Israel - Italy - Japan -
Malaysia - Malta - Morocco - Singapore - Spain - Sweden - Switzerland - United Kingdom - United States
www.st.com



Компания «ЭлектроПласт» предлагает заключение долгосрочных отношений при поставках импортных электронных компонентов на взаимовыгодных условиях!

Наши преимущества:

- Оперативные поставки широкого спектра электронных компонентов отечественного и импортного производства напрямую от производителей и с крупнейших мировых складов;
- Поставка более 17-ти миллионов наименований электронных компонентов;
- Поставка сложных, дефицитных, либо снятых с производства позиций;
- Оперативные сроки поставки под заказ (от 5 рабочих дней);
- Экспресс доставка в любую точку России;
- Техническая поддержка проекта, помощь в подборе аналогов, поставка прототипов;
- Система менеджмента качества сертифицирована по Международному стандарту ISO 9001;
- Лицензия ФСБ на осуществление работ с использованием сведений, составляющих государственную тайну;
- Поставка специализированных компонентов (Xilinx, Altera, Analog Devices, Intersil, Interpoint, Microsemi, Aeroflex, Peregrine, Syfer, Eurofarad, Texas Instrument, Miteq, Cobham, E2V, MA-COM, Hittite, Mini-Circuits, General Dynamics и др.);

Помимо этого, одним из направлений компании «ЭлектроПласт» является направление «Источники питания». Мы предлагаем Вам помощь Конструкторского отдела:

- Подбор оптимального решения, техническое обоснование при выборе компонента;
- Подбор аналогов;
- Консультации по применению компонента;
- Поставка образцов и прототипов;
- Техническая поддержка проекта;
- Защита от снятия компонента с производства.



Как с нами связаться

Телефон: 8 (812) 309 58 32 (многоканальный)

Факс: 8 (812) 320-02-42

Электронная почта: org@eplast1.ru

Адрес: 198099, г. Санкт-Петербург, ул. Калинина, дом 2, корпус 4, литера А.